



TC7116/A/TC7117/A

3-1/2 Digit Analog-to-Digital Converters with Hold

Features

- Low Temperature Drift Internal Reference
 - TC7116/TC7117 80 ppm/°C Typ.
 - TC7116A/TC7117A 20 ppm/°C Typ.
- Display Hold Function
- Directly Drives LCD or LED Display
- Zero Reading with Zero Input
- Low Noise for Stable Display
 - 2V or 200mV Full Scale Range (FSR)
- Auto-Zero Cycle Eliminates Need for Zero
- Adjustment Potentiometer
- True Polarity Indication for Precision Null Applications
- Convenient 9V Battery Operation: (TC7116/TC7116A)
- High Impedance CMOS Differential Inputs: $10^{12}\Omega$
- Low Power Operation: 10mW

Applications

- Thermometry
- Bridge Readouts: Strain Gauges, Load Cells, Null Detectors
- Digital Meters: Voltage/Current/Ohms/Power, pH
- Digital Scales, Process Monitors
- Portable Instrumentation

Device Selection Table

Package Code	Package	Temperature Range
CPL	40-Pin PDIP	0°C to +70°C
IJL	40-Pin CERDIP	-25°C to +85°C
CKW	44-Pin PQFP	0°C to +70°C
CLW	44-Pin PLCC	0°C to +70°C

General Description

The TC7116A/TC7117A are 3-1/2 digit CMOS analog-to-digital converters (ADCs) containing all the active components necessary to construct a 0.05% resolution measurement system. Seven-segment decoders, polarity and digit drivers, voltage reference, and clock circuit are integrated on-chip. The TC7116A drives liquid crystal displays (LCDs) and includes a backplane driver. The TC7117A drives common anode light emitting diode (LED) displays directly with an 8mA drive current per segment.

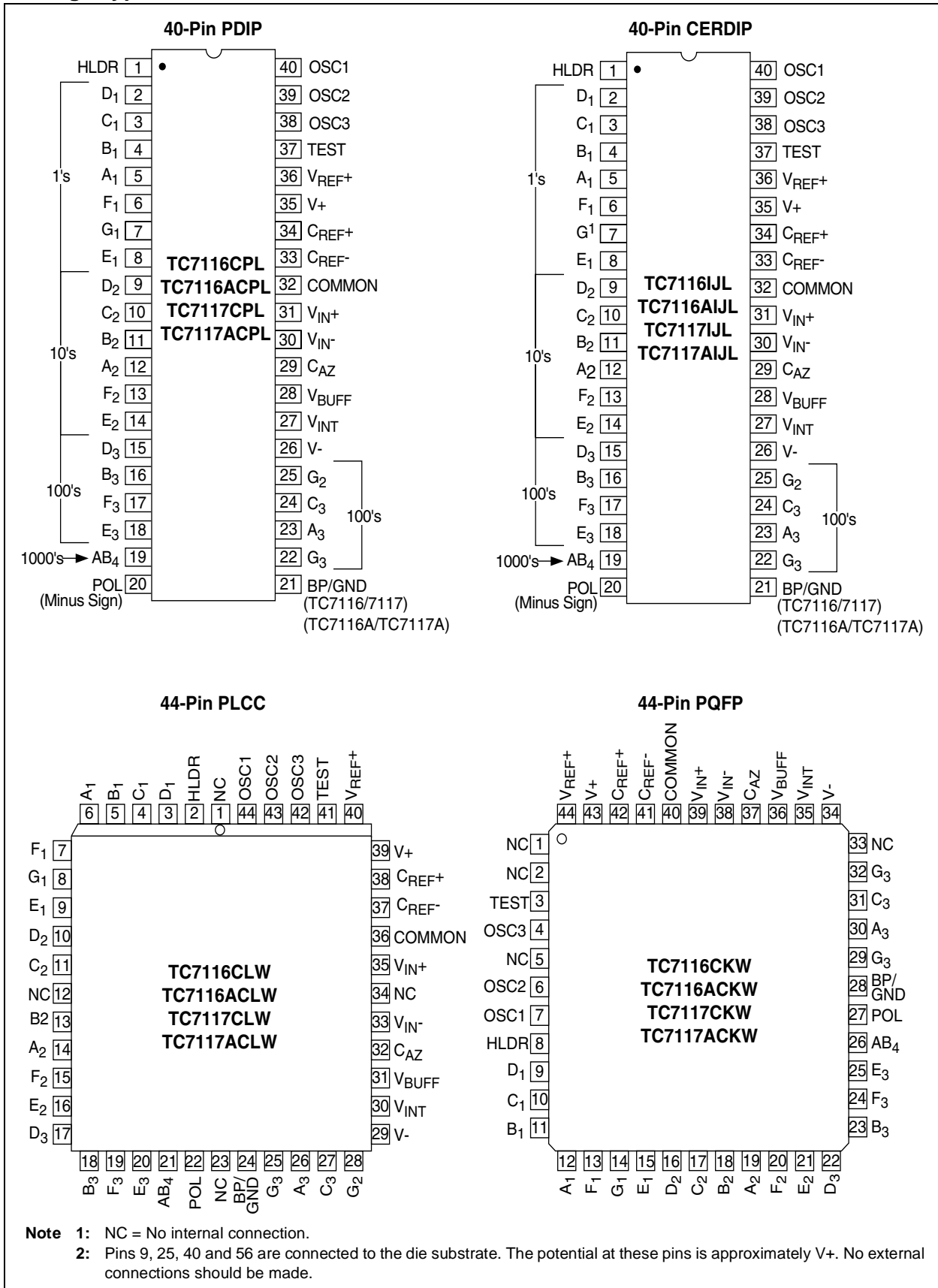
These devices incorporate a display hold (HLDR) function. The displayed reading remains indefinitely, as long as HLDR is held high. Conversions continue, but output data display latches are not updated. The reference low input (V_{REF-}) is not available, as it is with the TC7106/7107. V_{REF-} is tied internally to analog common in the TC7116A/7117A devices.

The TC7116A/7117A reduces linearity error to less than 1 count. Rollover error (the difference in readings for equal magnitude but opposite polarity input signals) is below ± 1 count. High-impedance differential inputs offer 1pA leakage current and a $10^{12}\Omega$ input impedance. The $15\mu V_{P-P}$ noise performance enables a "rock solid" reading. The auto-zero cycle ensures a zero display reading with a 0V input.

The TC7116A and TC7117A feature a precision, low drift internal reference, and are functionally identical to the TC7116/TC7117. A low drift external reference is not normally required with the TC7116A/TC7117A.

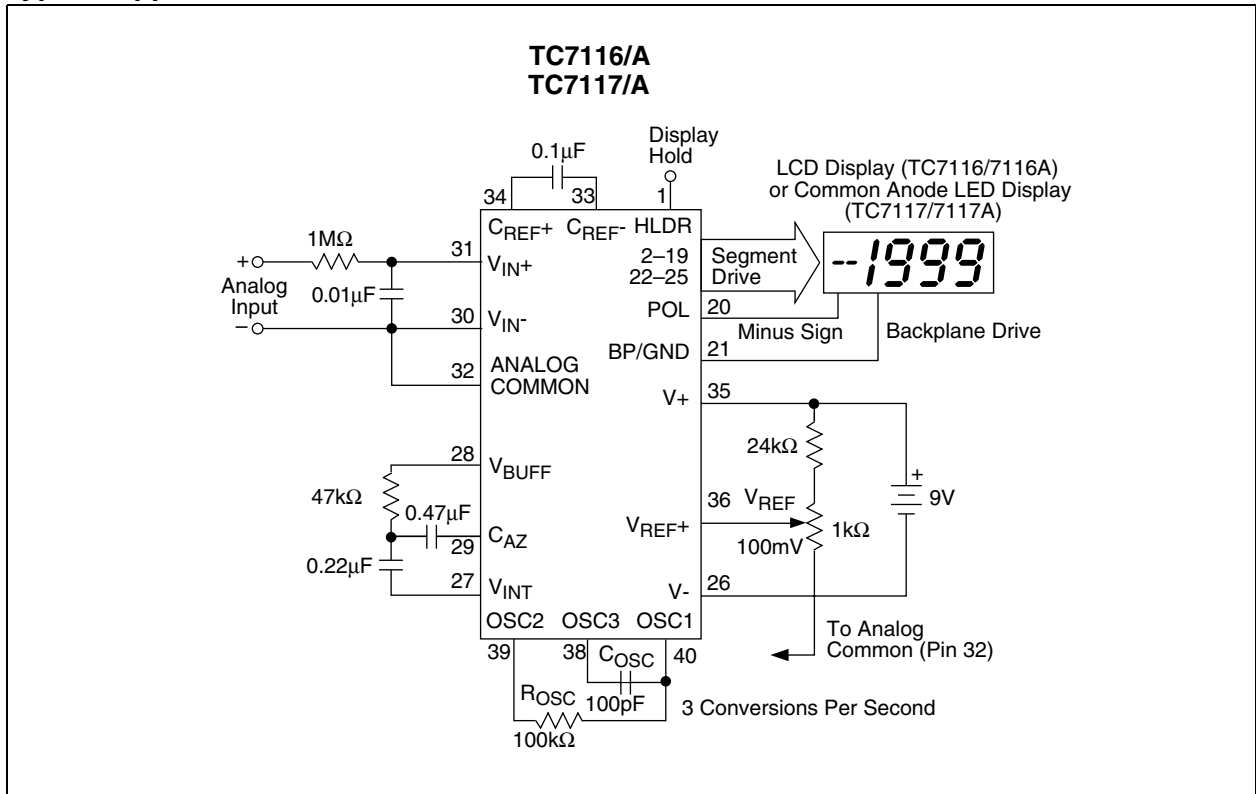
TC7116/A/TC7117/A

Package Type



TC7116/A/TC7117/A

Typical Application



TC7116/A/TC7117/A

1.0 ELECTRICAL CHARACTERISTICS

Absolute Maximum Ratings*

Supply Voltage:

TC7116/TC7116A (V+ to V-)	15V
TC7117/TC7117A (V+ to GND)	+6V
V- to GND	-9V

Analog Input Voltage (Either Input) (**Note 1**)... V+ to V-

Reference Input Voltage (Either Input)..... V+ to V-

Clock Input:

TC7116/TC7116A	TEST to V+
TC7117/TC7117A	GND to V+

Package Power Dissipation; $T_A \leq 70^\circ\text{C}$ (**Note 2**)

40-Pin CDIP	2.29W
40-Pin PDIP	1.23W
44-Pin PLCC	1.23W
44-Pin PQFP	1.00W

Operating Temperature:

C (Commercial) Device	0°C to $+70^\circ\text{C}$
I (Commercial) Device	0°C to $+70^\circ\text{C}$

Storage Temperature..... -65°C to $+150^\circ\text{C}$

*Stresses above those listed under "Absolute Maximum Ratings" may cause permanent damage to the device. These are stress ratings only and functional operation of the device at these or any other conditions above those indicated in the operation sections of the specifications is not implied. Exposure to Absolute Maximum Rating conditions for extended periods may affect device reliability.

TC7116/A AND TC7117/A ELECTRICAL SPECIFICATIONS

Electrical Characteristics: Unless otherwise noted, specifications apply to both the TC7116/A and TC7117/A at $T_A = 25^\circ\text{C}$, $f_{\text{CLOCK}} = 48\text{kHz}$. Parts are tested in the circuit of the Typical Operating Circuit.						
Symbol	Parameter	Min	Typ	Max	Unit	Test Conditions
Z_{IR}	Zero Input Reading	—	± 0	—	Digital Reading	$V_{\text{IN}} = 0\text{V}$ Full Scale = 200mV
	Ratiometric Reading	999	999/1000	1000	Digital Reading	$V_{\text{IN}} = V_{\text{REF}}$ $V_{\text{REF}} = 100\text{mV}$
R/O	Rollover Error (Difference in Reading for Equal Positive and Negative Readings Near Full Scale)	-1	± 0.2	+1	Counts	$V_{\text{IN}^-} = + V_{\text{IN}^+} \cong 200\text{mV}$ or $\approx 2\text{V}$
	Linearity (Maximum Deviation from Best Straight Line Fit)	-1	± 0.2	+1	Counts	Full Scale = 200mV or 2V
CMRR	Common Mode Rejection Ratio (Note 3)	—	50	—	$\mu\text{V}/\text{V}$	$V_{\text{CM}} = \pm 1\text{V}$, $V_{\text{IN}} = 0\text{V}$ Full Scale = 200mV
e_{N}	Noise (Peak to Peak 95% of Time)	—	15	—	μV	$V_{\text{IN}} = 0\text{V}$ Full Scale = 200mV
I_{L}	Leakage Current at Input	—	1	10	pA	$V_{\text{IN}} = 0\text{V}$
	Zero Reading Drift	—	0.2	1	$\mu\text{V}/^\circ\text{C}$	$V_{\text{IN}} = 0\text{V}$ "C" Device = 0°C to $+70^\circ\text{C}$
		—	1.0	2	$\mu\text{V}/^\circ\text{C}$	"I" Device = -25°C to $+85^\circ\text{C}$

- Note 1:** Input voltages may exceed the supply voltages provided the input current is limited to $\pm 100\mu\text{A}$.
- Note 2:** Dissipation rating assumes device is mounted with all leads soldered to printed circuit board.
- Note 3:** Refer to "Differential Input" discussion.
- Note 4:** Backplane drive is in phase with segment drive for "OFF" segment, 180° out of phase for "ON" segment. Frequency is 20 times conversion rate. Average DC component is less than 50mV.
- Note 5:** The TC7116/TC7116A logic inputs have an internal pull-down resistor connected from HLDR, Pin 1 to TEST, Pin 37. The TC7117/TC7117A logic inputs have an internal pull-down resistor connected from HLDR, Pin 1 to GND, Pin 21.

TC7116/A/TC7117/A

TC7116/A AND TC7117/A ELECTRICAL SPECIFICATIONS (CONTINUED)

Electrical Characteristics: Unless otherwise noted, specifications apply to both the TC7116/A and TC7117/A at $T_A = 25^\circ\text{C}$, $f_{\text{CLOCK}} = 48\text{kHz}$. Parts are tested in the circuit of the Typical Operating Circuit.

Symbol	Parameter	Min	Typ	Max	Unit	Test Conditions
TC _{SF}	Scale Factor Temperature Coefficient	—	1	5	ppm/°C	V _{IN} = 199mV, "C" Device = 0°C to +70°C (Ext. Ref = 0ppm°C)
		—	—	20	ppm/°C	"I" Device = -25°C to +85°C
	Input Resistance, Pin 1	30	70	—	kΩ	(Note 5)
	V _{IL} , Pin 1	—	—	Test + 1.5	V	TC7116/A Only
	V _{IL} , Pin 1	—	—	GND + 1.5	V	TC7117/A Only
	V _{IH} , Pin 1	V ⁺ - 1.5	—	—	V	Both
I _{DD}	Supply Current (Does not Include LED Current for TC7117/A)	—	0.8	1.8	mA	V _{IN} = 0V
V _C	Analog Common Voltage (with Respect to Positive Supply)	2.4	3.05	3.35	V	25kΩ Between Common and Positive Supply
V _{CTC}	Temperature Coefficient of Analog Common (with Respect to Positive Supply)	—	—	—	—	"C" Device: 0°C to +70°C
		—	20	50	ppm/°C	TC7116A/TC7117A
		—	80	—	ppm/°C	TC7116/TC7117
V _{SD}	TC7116/TC7117A ONLY Peak to Peak Segment Drive Voltage	4	5	6	V	V ₊ to V ₋ = 9V (Note 4)
V _{BD}	TC7116A/TC7116A ONLY Peak to Peak Backplane Drive Voltage	4	5	6	V	V ₊ to V ₋ = 9V (Note 4)
	TC7117/TC7117A ONLY Segment Sinking Current (Except Pin 19)	5	8	—	mA	V ₊ = 5.0V Segment Voltage = 3V
	TC7117/TC7117A ONLY Segment Sinking Current (Pin 19 Only)	10	16	—	mA	V ₊ = 5.0V Segment Voltage = 3V

- Note**
- 1: Input voltages may exceed the supply voltages provided the input current is limited to $\pm 100\mu\text{A}$.
 - 2: Dissipation rating assumes device is mounted with all leads soldered to printed circuit board.
 - 3: Refer to "Differential Input" discussion.
 - 4: Backplane drive is in phase with segment drive for "OFF" segment, 180° out of phase for "ON" segment. Frequency is 20 times conversion rate. Average DC component is less than 50mV.
 - 5: The TC7116/TC7116A logic inputs have an internal pull-down resistor connected from HLDR, Pin 1 to TEST, Pin 37. The TC7117/TC7117A logic inputs have an internal pull-down resistor connected from HLDR, Pin 1 to GND, Pin 21.

TC7116/A/TC7117/A

2.0 PIN DESCRIPTIONS

The descriptions of the pins are listed in Table 2-1.

TABLE 2-1: PIN FUNCTION TABLE

Pin Number (40-Pin PDIP) (40-Pin CERDIP)	Pin Number (44-Pin PQFP)	Symbol	Description
1	8	HLDR	Hold pin, Logic 1 holds present display reading.
2	9	D ₁	Activates the D section of the units display.
3	10	C ₁	Activates the C section of the units display.
4	11	B ₁	Activates the B section of the units display.
5	12	A ₁	Activates the A section of the units display.
6	13	F ₁	Activates the F section of the units display.
7	14	G ₁	Activates the G section of the units display.
8	15	E ₁	Activates the E section of the units display.
9	16	D ₂	Activates the D section of the tens display.
10	17	C ₂	Activates the C section of the tens display.
11	18	B ₂	Activates the B section of the tens display.
12	19	A ₂	Activates the A section of the tens display.
13	20	F ₂	Activates the F section of the tens display.
14	21	E ₂	Activates the E section of the tens display.
15	22	D ₃	Activates the D section of the hundreds display.
16	23	B ₃	Activates the B section of the hundreds display.
17	24	F ₃	Activates the F section of the hundreds display.
18	25	E ₃	Activates the E section of the hundreds display.
19	26	AB ₄	Activates both halves of the 1 in the thousands display.
20	27	POL	Activates the negative polarity display.
21	28	BP/ GND	LCD backplane drive output (TC7116/TC7116A). Digital ground (TC7117/TC7117A).
22	29	G ₃	Activates the G section of the hundreds display.
23	30	A ₃	Activates the A section of the hundreds display.
24	31	C ₃	Activates the C section of the hundreds display.
25	32	G ₂	Activates the G section of the tens display.
26	34	V-	Negative power supply voltage.
27	35	V _{INT}	Integrator output. Connection point for integration capacitor. See Section 4.3, Integrating Capacitor for more details.
28	36	V _{BUFF}	Integration resistor connection. Use a 47kΩ resistor for a 200mV full scale range and a 470kΩ resistor for 2V full scale range.
29	37	C _{AZ}	The size of the auto-zero capacitor influences system noise. Use a 0.47μF capacitor for 200mV full scale, and a 0.047μF capacitor for 2V full scale. See Section 4.1, Auto-Zero Capacitor for more details.
30	38	V _{IN-}	The analog LOW input is connected to this pin.
31	39	V _{IN+}	The analog HIGH input signal is connected to this pin.
32	40	COMMON	This pin is primarily used to set the Analog Common mode voltage for battery operation, or in systems where the input signal is referenced to the power supply. It also acts as a reference voltage source. See Section 3.1.6, Analog Common for more details.
33	41	C _{REF-}	See Pin 34.
34	42	C _{REF+}	A 0.1μF capacitor is used in most applications. If a large Common mode voltage exists (for example, the V _{IN-} pin is not at analog common), and a 200mV scale is used, a 1μF capacitor is recommended and will hold the rollover error to 0.5 count.

TABLE 2-1: PIN FUNCTION TABLE (CONTINUED)

Pin Number (40-Pin PDIP) (40-Pin CERDIP)	Pin Number (44-Pin PQFP)	Symbol	Description
35	43	V+	Positive Power Supply Voltage.
36	44	V _{REF+}	The analog input required to generate a full scale output (1999 counts). Place 100mV between Pins 32 and 36 for 199.9mV full scale. Place 1V between Pins 35 and 36 for 2V full scale. See Section 4.6, Reference Voltage.
37	3	TEST	Lamp test. When pulled HIGH (to V+), all segments will be turned on and the display should read -1888. It may also be used as a negative supply for externally generated decimal points. See Section 3.1.7, TEST for additional information.
38	4	OSC3	See Pin 40.
39	6	OSC2	See Pin 40.
40	7	OSC1	Pins 40, 39, 38 make up the oscillator section. For a 48kHz clock (3 readings per section), connect Pin 40 to the junction of a 100kΩ resistor and a 100pF capacitor. The 100kΩ resistor is tied to Pin 39 and the 100pF capacitor is tied to Pin 38.

3.0 DETAILED DESCRIPTION

(All Pin Designations Refer to 40-Pin PDIP.)

3.1 Analog Section

Figure 3-1 shows the block diagram of the analog section for the TC7116/TC7116A and TC7117/TC7117A. Each measurement cycle is divided into three phases: (1) Auto-Zero (AZ), (2) Signal Integrate (INT), and (3) Reference Integrate (REF), or De-integrate (DE).

3.1.1 AUTO-ZERO PHASE

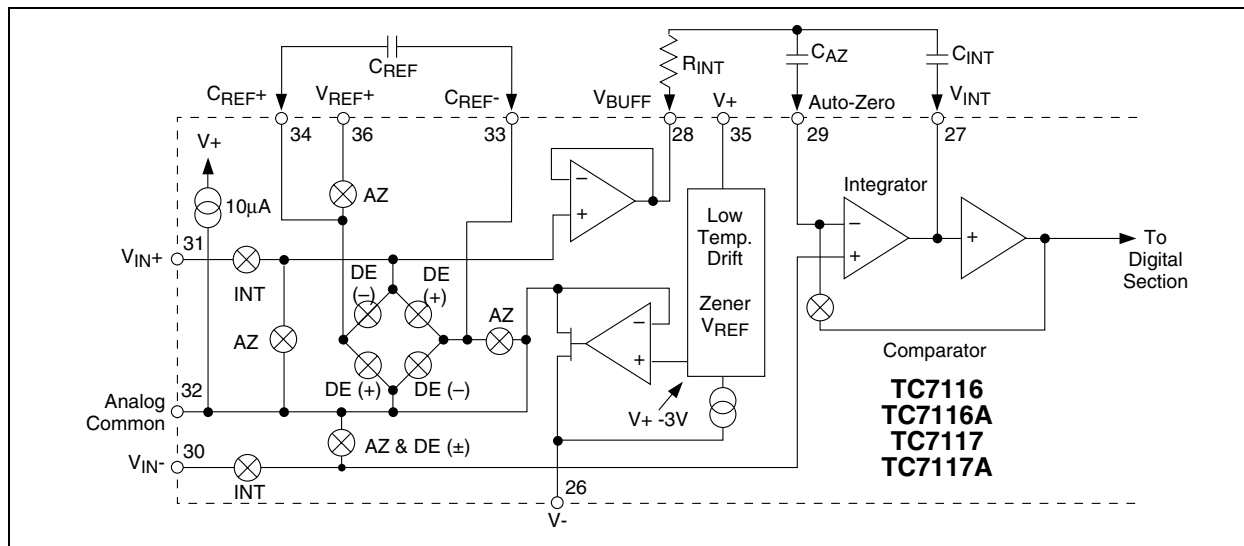
High and low inputs are disconnected from the pins and internally shorted to analog common. The reference capacitor is charged to the reference voltage. A feedback loop is closed around the system to charge the auto-zero capacitor (C_{AZ}) to compensate for offset voltages in the buffer amplifier, integrator, and comparator. Since the comparator is included in the loop, AZ accuracy is limited only by system noise. The offset referred to the input is less than 10μV.

3.1.2 SIGNAL INTEGRATE PHASE

The auto-zero loop is opened, the internal short is removed, and the internal high and low inputs are connected to the external pins. The converter then integrates the differential voltages between V_{IN+} and V_{IN-} for a fixed time. This differential voltage can be within a wide Common mode range: 1V of either supply. However, if the input signal has no return with respect to the converter power supply, V_{IN-} can be tied to analog common to establish the correct Common mode voltage. At the end of this phase, the polarity of the integrated signal is determined.

TC7116/A/TC7117/A

FIGURE 3-1: ANALOG SECTION OF TC7116/TC7117A AND TC7117/TC7117A



3.1.3 REFERENCE INTEGRATE PHASE

The final phase is reference integrate, or de-integrate. Input low is internally connected to analog common and input high is connected across the previously charged reference capacitor. Circuitry within the chip ensures that the capacitor will be connected with the correct polarity to cause the integrator output to return to zero. The time required for the output to return to zero is proportional to the input signal. The digital reading displayed is:

EQUATION 3-1:

$$1000 = \frac{V_{IN}}{V_{REF}}$$

3.1.4 REFERENCE

The positive reference voltage (V_{REF+}) is referred to analog common.

3.1.5 DIFFERENTIAL INPUT

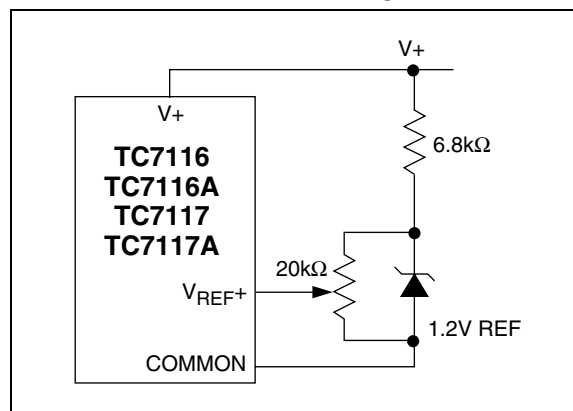
This input can accept differential voltages anywhere within the Common mode range of the input amplifier or, specifically, from 1V below the positive supply to 1V above the negative supply. In this range, the system has a CMRR of 86dB, typical. However, since the integrator also swings with the Common mode voltage, care must be exercised to ensure that the integrator output does not saturate. A worst case condition would be a large, positive Common mode voltage with a near full scale negative differential input voltage. The negative input signal drives the integrator positive, when most of its swing has been used up by the positive Common mode voltage. For these critical applications, the integrator swing can be reduced to less than the recommended 2V full scale swing with little loss of accuracy. The integrator output can swing within 0.3V of either supply without loss of linearity.

3.1.6 ANALOG COMMON

This pin is included primarily to set the Common mode voltage for battery operation (TC7116/TC7116A), or for any system where the input signals are floating, with respect to the power supply. The analog common pin sets a voltage approximately 2.8V more negative than the positive supply. This is selected to give a minimum end of life battery voltage of about 6V. However, analog common has some attributes of a reference voltage. When the total supply voltage is large enough to cause the zener to regulate (>7V), the analog common voltage will have a low voltage coefficient (0.001%), low output impedance ($\approx 15\Omega$), and a temperature coefficient of less than 20ppm/°C, typically, and 50 ppm maximum. The TC7116/TC7117 temperature coefficients are typically 80ppm/°C.

An external reference may be used, if necessary, as shown in Figure 3-2.

FIGURE 3-2: USING AN EXTERNAL REFERENCE



Analog common is also used as V_{IN-} return during auto-zero and de-integrate. If V_{IN-} is different from analog common, a Common mode voltage exists in the system and is taken care of by the excellent CMRR of the converter. However, in some applications, V_{IN-} will be set at a fixed, known voltage (power supply common for instance). In this application, analog common should be tied to the same point, thus removing the Common mode voltage from the converter. The same holds true for the reference voltage; if it can be conveniently referenced to analog common, it should be. This removes the Common mode voltage from the reference system.

Within the IC, analog common is tied to an N-channel FET, that can sink 30mA or more of current to hold the voltage 3V below the positive supply (when a load is trying to pull the analog common line positive). However, there is only 10 μ A of source current, so analog common may easily be tied to a more negative voltage, thus overriding the internal reference.

3.1.7 TEST

The TEST pin serves two functions. On the TC7117/TC7117A, it is coupled to the internally generated digital supply through a 500 Ω resistor. Thus, it can be used as a negative supply for externally generated segment drivers, such as decimal points, or any other presentation the user may want to include on the LCD. (Figure 3-3 and Figure 3-4 show such an application.) No more than a 1mA load should be applied.

The second function is a "lamp test." When TEST is pulled HIGH (to V_+), all segments will be turned ON and the display should read -1888. The TEST pin will sink about 10mA under these conditions.

FIGURE 3-3: SIMPLE INVERTER FOR FIXED DECIMAL POINT

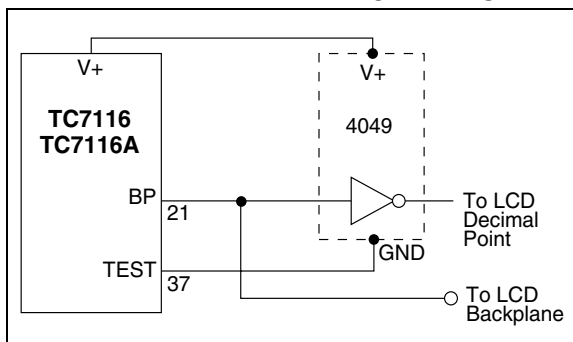
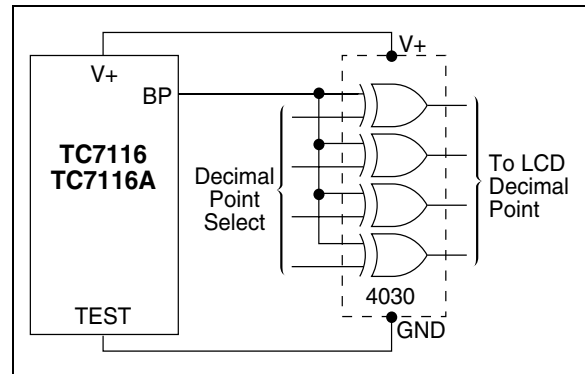


FIGURE 3-4: EXCLUSIVE "OR" GATE FOR DECIMAL POINT DRIVE



3.2 Digital Section

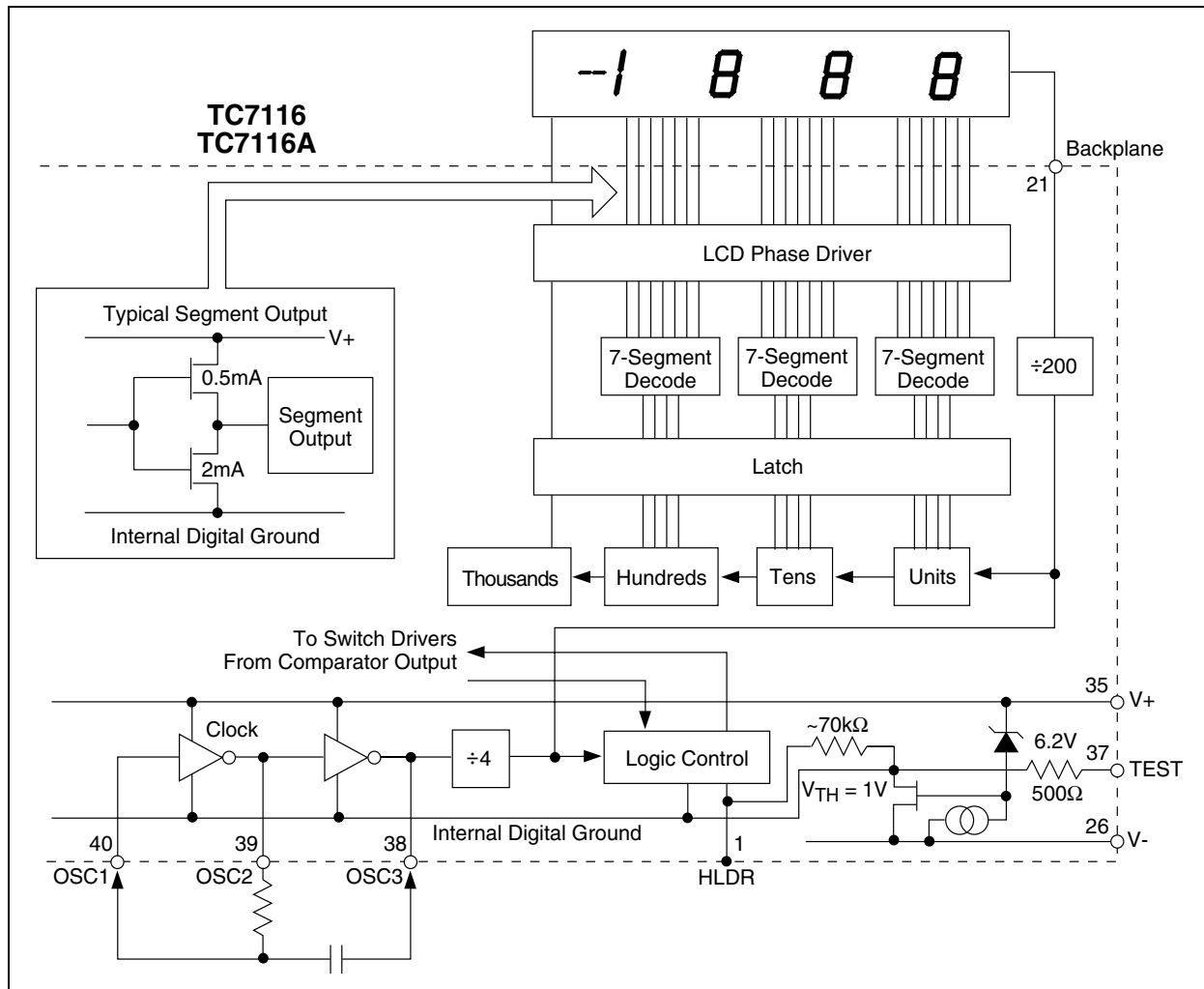
Figure 3-5 and Figure 3-6 show the digital section for TC7116/TC7116A and TC7117/TC7117A, respectively. For the TC7116/TC7116A (Figure 3-5), an internal digital ground is generated from a 6V zener diode and a large P-channel source follower. This supply is made stiff to absorb the relative large capacitive currents when the backplane (BP) voltage is switched. The BP frequency is the clock frequency 4800. For 3 readings per second, this is a 60Hz square wave with a nominal amplitude of 5V. The segments are driven at the same frequency and amplitude, and are in phase with BP when OFF, but out of phase when ON. In all cases, negligible DC voltage exists across the segments.

Figure 3-6 is the digital section of the TC7117/TC7117A. It is identical to the TC7116/TC7116A, except that the regulated supply and BP drive have been eliminated, and the segment drive is typically 8mA. The 1000's output (Pin 19) sinks current from two LED segments, and has a 16mA drive capability. The TC7117/TC7117A are designed to drive common anode LED displays.

In both devices, the polarity indication is ON for analog inputs. If V_{IN-} and V_{IN+} are reversed, this indication can be reversed also, if desired.

TC7116/A/TC7117/A

FIGURE 3-5: TC7116/TC7116A DIGITAL SECTION



3.2.1 SYSTEM TIMING

The clocking method used for the TC7116/TC7116A and TC7117/TC7117A is shown in Figure 3-6. Three clocking methods may be used:

1. An external oscillator connected to Pin 40.
2. A crystal between Pins 39 and 40.
3. An RC network using all three pins.

The oscillator frequency is $\div 4$ before it clocks the decade counters. It is then further divided to form the three convert cycle phases: Signal Integrate (1000 counts), Reference De-integrate (0 to 2000 counts), and Auto-Zero (1000 to 3000 counts). For signals less than full scale, auto-zero gets the unused portion of reference de-integrate. This makes a complete measure cycle of 4000 (16,000 clock pulses), independent of input voltage. For 3 readings per second, an oscillator frequency of 48kHz would be used.

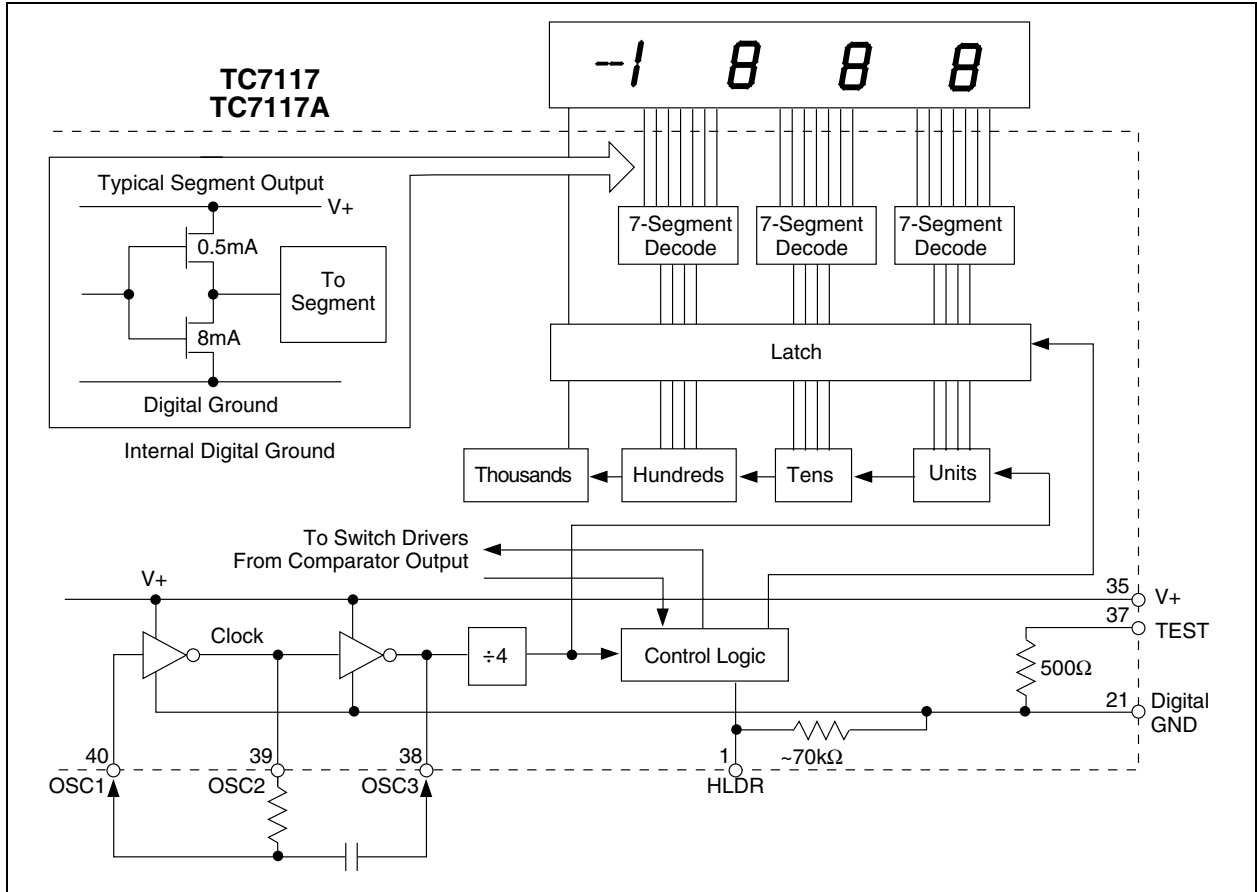
To achieve maximum rejection of 60Hz pickup, the signal integrate cycle should be a multiple of 60Hz. Oscillator frequencies of 240kHz, 120kHz, 80kHz, 60kHz, 48kHz, 40kHz, etc. should be selected. For 50Hz rejection, oscillator frequencies of 200kHz, 100kHz, 66-2/3kHz, 50kHz, 40kHz, etc. would be suitable. Note that 40kHz (2.5 readings per second) will reject both 50Hz and 60Hz.

3.2.2 HOLD READING INPUT

When HLDR is at a logic HIGH, the latch will not be updated. Analog-to-digital conversions will continue, but will not be updated until HLDR is returned to LOW. To continuously update the display, connect to TEST (TC7116/TC7116A) or GROUND (TC7117/TC7117A), or disconnect. This input is CMOS compatible with 70kΩ typical resistance to TEST (TC7116/TC7116A) or GROUND (TC7117/TC7117A).

TC7116/A/TC7117/A

FIGURE 3-6: TC7117/TC711A DIGITAL SECTION



TC7116/A/TC7117/A

4.0 COMPONENT VALUE SELECTION

4.1 Auto-Zero Capacitor

The size of the auto-zero capacitor has some influence on system noise. For 200mV full scale, where noise is very important, a 0.47 μ F capacitor is recommended. On the 2V scale, a 0.047 μ F capacitor increases the speed of recovery from overload and is adequate for noise on this scale.

4.2 Reference Capacitor

A 0.1 μ F capacitor is acceptable in most applications. However, where a large Common mode voltage exists (i.e., the V_{IN-} pin is not at analog common), and a 200mV scale is used, a larger value is required to prevent rollover error. Generally, 1 μ F will hold the rollover error to 0.5 count in this instance.

4.3 Integrating Capacitor

The integrating capacitor should be selected to give the maximum voltage swing that ensures tolerance buildup will not saturate the integrator swing (approximately 0.3V from either supply). In the TC7116/TC7116A or the TC7117/TC7117A, when the analog common is used as a reference, a nominal ± 2 V full scale integrator swing is acceptable. For the TC7117/TC7117A, with ± 5 V supplies and analog common tied to supply ground, a ± 3.5 V to ± 4 V swing is nominal. For 3 readings per second (48kHz clock), nominal values for C_{INT} are 0.22 μ F and 0.10 μ F, respectively. If different oscillator frequencies are used, these values should be changed in inverse proportion to maintain the output swing. The integrating capacitor must have low dielectric absorption to prevent rollover errors. Polypropylene capacitors are recommended for this application.

4.4 Integrating Resistor

Both the buffer amplifier and the integrator have a class A output stage with 100 μ A of quiescent current. They can supply 20 μ A of drive current with negligible non-linearity. The integrating resistor should be large enough to remain in this very linear region over the input voltage range, but small enough that undue leakage requirements are not placed on the PC board. For 2V full scale, 470k Ω is near optimum and, similarly, 47k Ω for 200mV full scale.

4.5 Oscillator Components

For all frequency ranges, a 100k Ω resistor is recommended; the capacitor is selected from the equation:

EQUATION 4-1:

$$f = \frac{0.45}{RC}$$

For a 48kHz clock (3 readings per second), $C = 100$ pF.

4.6 Reference Voltage

To generate full scale output (2000 counts), the analog input requirement is $V_{IN} = 2V_{REF}$. Thus, for the 200mV and 2V scale, V_{REF} should equal 100mV and 1V, respectively. In many applications, where the ADC is connected to a transducer, a scale factor exists between the input voltage and the digital reading. For instance, in a measuring system, the designer might like to have a full scale reading when the voltage from the transducer is 700mV. Instead of dividing the input down to 200mV, the designer should use the input voltage directly and select $V_{REF} = 350$ mV. Suitable values for integrating resistor and capacitor would be 120k Ω and 0.22 μ F. This makes the system slightly quieter and also avoids a divider network on the input. The TC7117/TC7117A, with ± 5 V supplies, can accept input signals up to ± 4 V. Another advantage of this system is when a digital reading of zero is desired for $V_{IN} \neq 0$. Temperature and weighing systems with a variable tare are examples. This offset reading can be conveniently generated by connecting the voltage transducer between V_{IN+} and analog common, and the variable (or fixed) offset voltage between analog common and V_{IN-} .

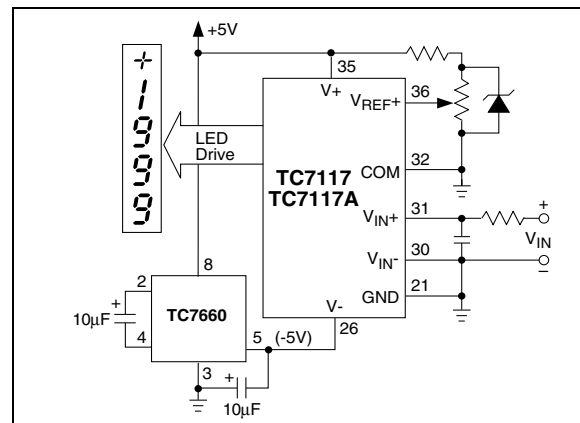
5.0 TC7117/TC7117A POWER SUPPLIES

The TC7117/TC7117A are designed to operate from ± 5 V supplies. However, if a negative supply is not available, it can be generated with a TC7660 DC-to-DC converter and two capacitors. Figure 5-1 shows this application.

In selected applications, a negative supply is not required. The conditions for using a single +5V supply are:

1. The input signal can be referenced to the center of the Common mode range of the converter.
2. The signal is less than ± 1.5 V.
3. An external reference is used.

FIGURE 5-1: NEGATIVE POWER SUPPLY GENERATION WITH TC7660



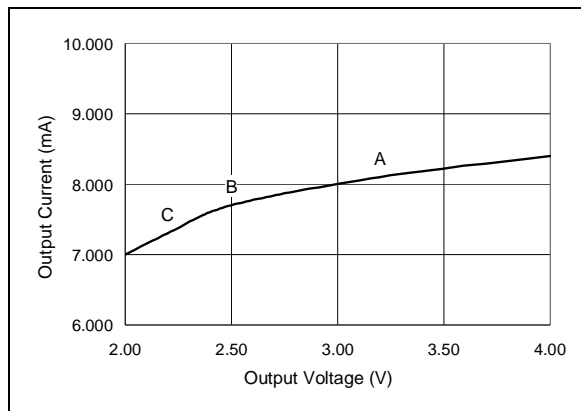
6.0 TYPICAL APPLICATIONS

The TC7117/TC7117A sink the LED display current, causing heat to build up in the IC package. If the internal voltage reference is used, the changing chip temperature can cause the display to change reading. By reducing the LED common anode voltage, the TC7117/TC7117A package power dissipation is reduced.

Figure 6-1 is a curve tracer display showing the relationship between output current and output voltage for typical TC7117CPL/TC7117ACPL devices. Since a typical LED has 1.8V across it at 8mA and its common anode is connected to +5V, the TC7117/TC7117A output is at 3.2V (Point A, Figure 6-1). Maximum power dissipation is $8.1\text{mA} \times 3.2\text{V} \times 24 \text{ segments} = 622\text{mW}$.

However, notice that once the TC7117/TC7117A's output voltage is above 2V, the LED current is essentially constant as output voltage increases. Reducing the output voltage by 0.7V (Point B Figure 6-1) results in 7.7mA of LED current, only a 5% reduction. Maximum power dissipation is now only $7.7\text{mA} \times 2.5\text{V} \times 24 = 462\text{mW}$, a reduction of 26%. An output voltage reduction of 1V (Point C) reduces LED current by 10% (7.3mA), but power dissipation by 38% ($7.3\text{mA} \times 2.2\text{V} \times 24 = 385\text{mW}$).

FIGURE 6-1: TC7117/TC7117A OUTPUT VS. OUTPUT VOLTAGE

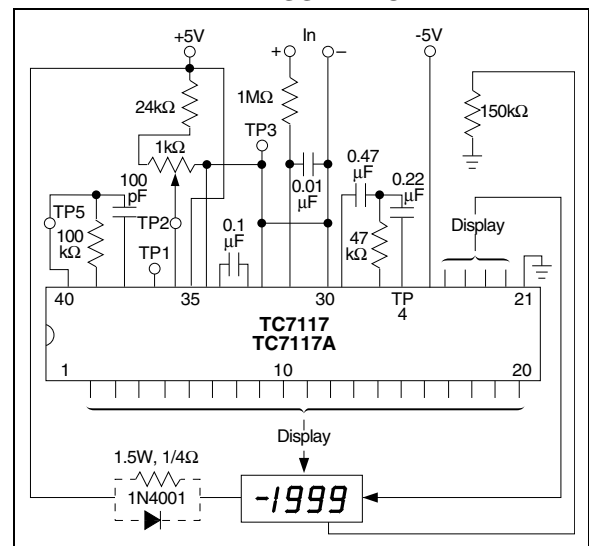


Reduced power dissipation is very easy to obtain. Figure 6-2 shows two ways: either a 5.1Ω, 1/4W resistor, or a 1A diode placed in series with the display (but not in series with the TC7117/TC7117A). The resistor reduces the TC7117/TC7117A's output voltage (when all 24 segments are ON) to Point C of Figure 6-1. When segments turn off, the output voltage will increase. The diode, however, will result in a relatively steady output voltage, around Point B.

In addition to limiting maximum power dissipation, the resistor reduces change in power dissipation as the display changes. The effect is caused by the fact that, as fewer segments are ON, each ON output drops more voltage and current. For the best case of six segments (a "111" display) to worst case (a "1888" display), the resistor circuit will change about 230mW, while a circuit without the resistor will change about 470mW. Therefore, the resistor will reduce the effect of display dissipation on reference voltage drift by about 50%.

The change in LED brightness caused by the resistor is almost unnoticeable as more segments turn off. If display brightness remaining steady is very important to the designer, a diode may be used instead of the resistor.

FIGURE 6-2: DIODE OR RESISTOR LIMITS PACKAGE POWER DISSIPATION



TC7116/A/TC7117/A

FIGURE 6-3: TC7116/TC7117A USING THE INTERNAL REFERENCE (200mV FULL SCALE, 3 READINGS PER SECOND - RPS)

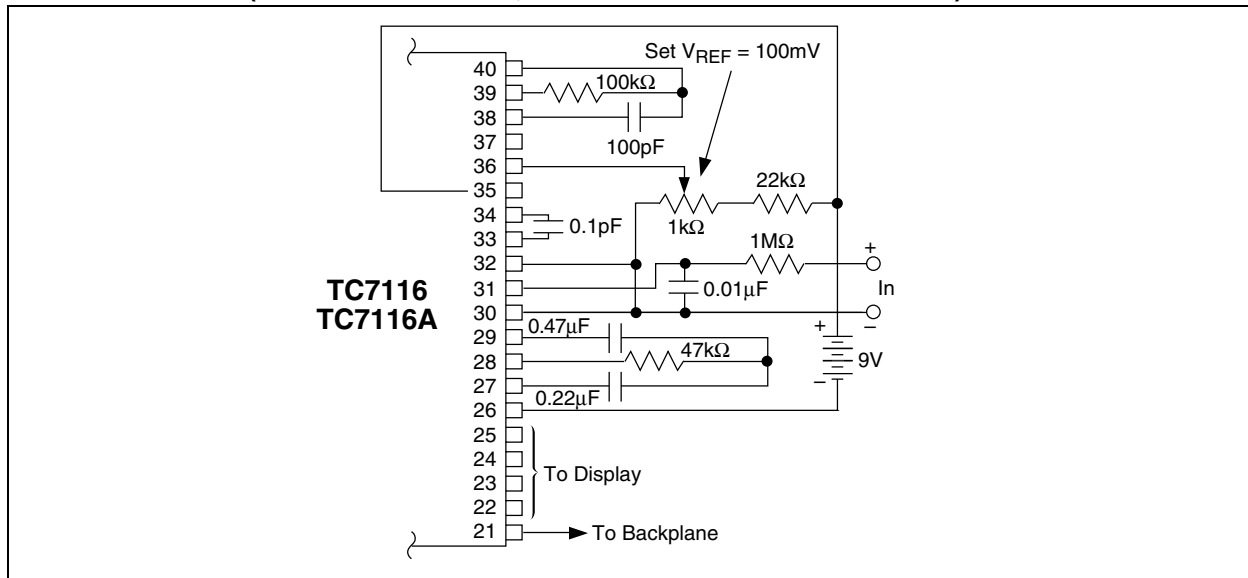
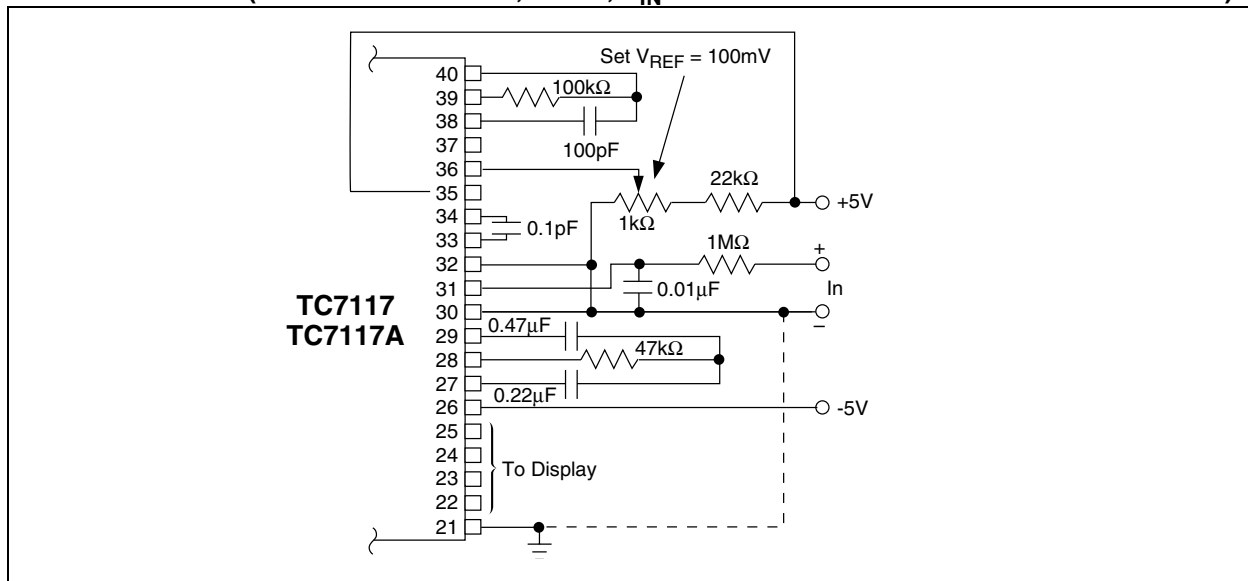


FIGURE 6-4: TC7117/TC7117A INTERNAL REFERENCE (200mV FULL SCALE, 3 RPS, V_{IN^-} TIED TO GND FOR SINGLE ENDED INPUTS)



TC7116/A/TC7117/A

FIGURE 6-5: CIRCUIT FOR DEVELOPING UNDER RANGE AND OVER RANGE SIGNALS FROM TC7116/TC7117A OUTPUTS

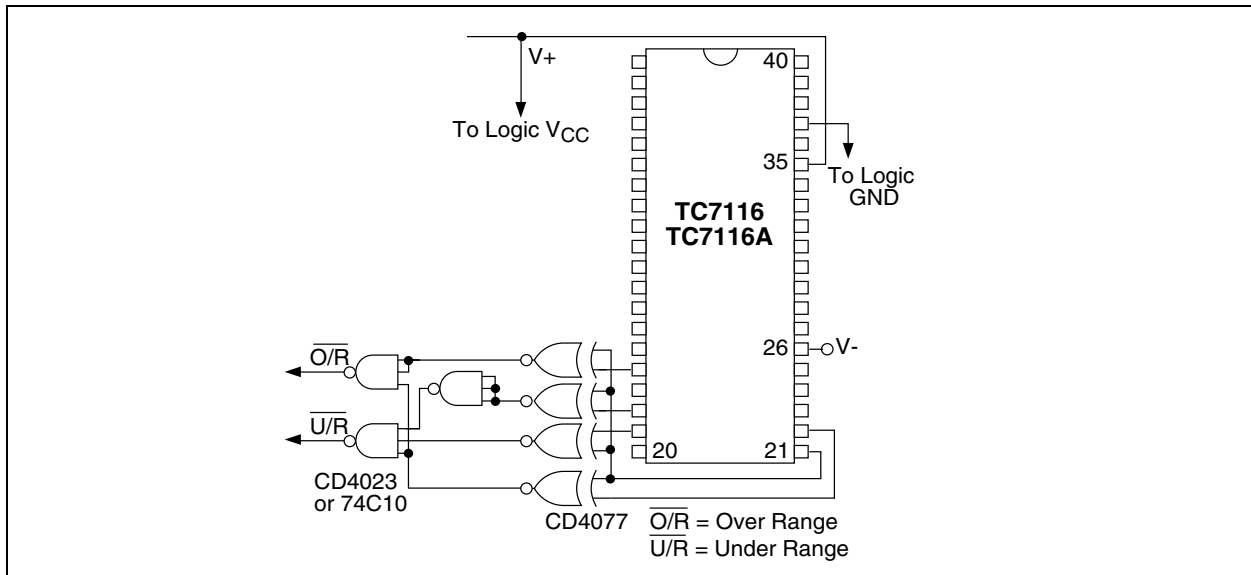
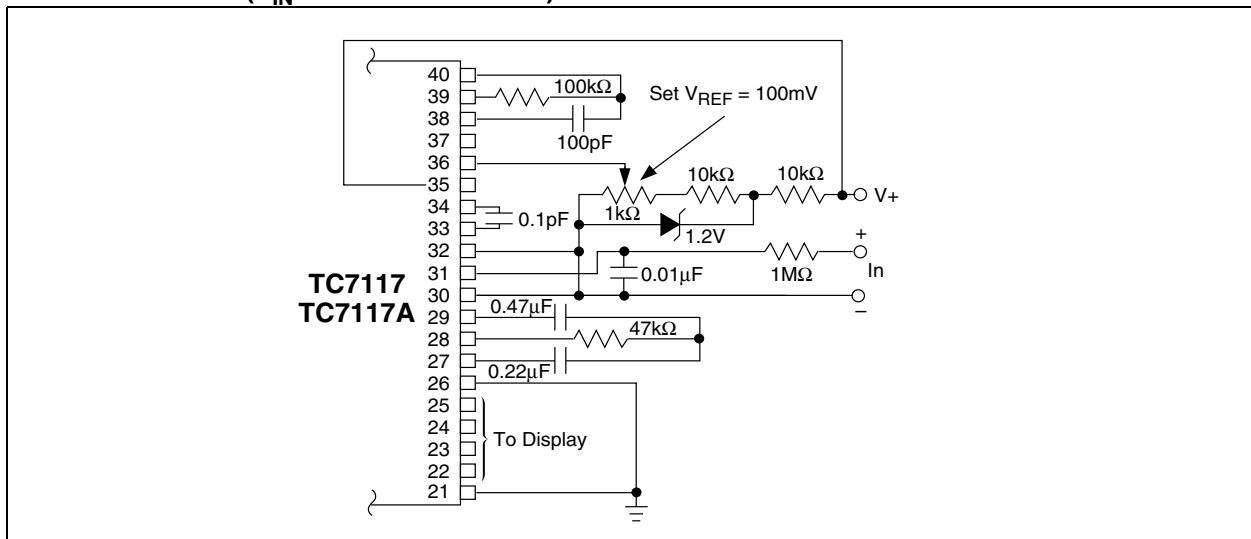


FIGURE 6-6: TC7117/TC7117A WITH A 1.2V EXTERNAL BANDGAP REFERENCE (V_{IN-} TIED TO COMMON)



TC7116/A/TC7117/A

FIGURE 6-7: RECOMMENDED COMPONENT VALUES FOR 2V FULL SCALE (TC7116/TC7116A AND TC7117/TC7117A)

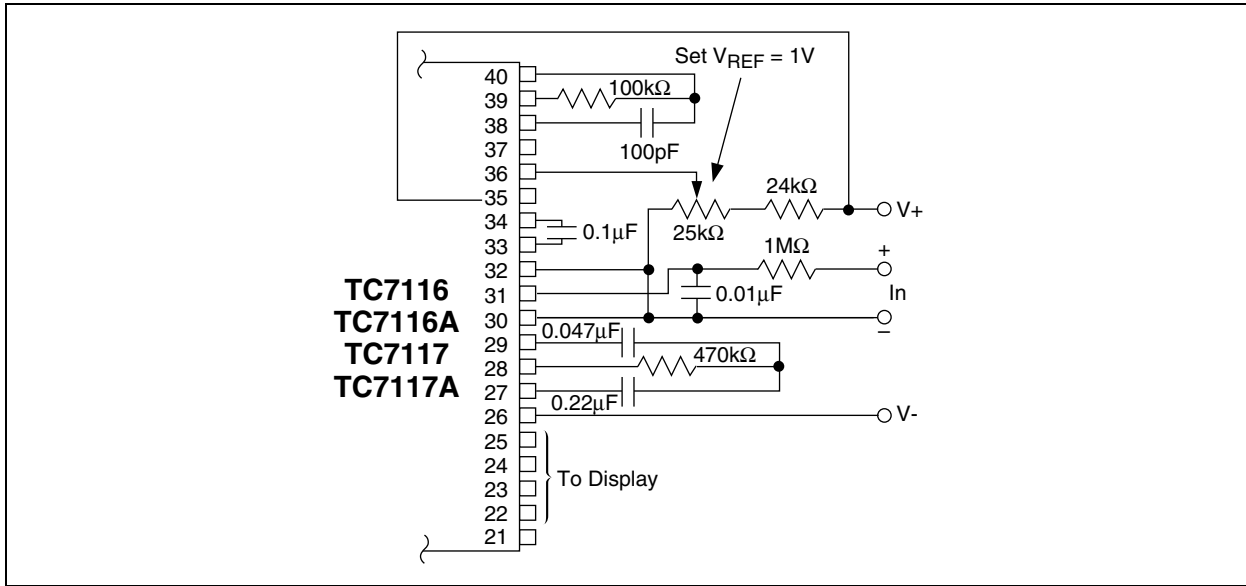
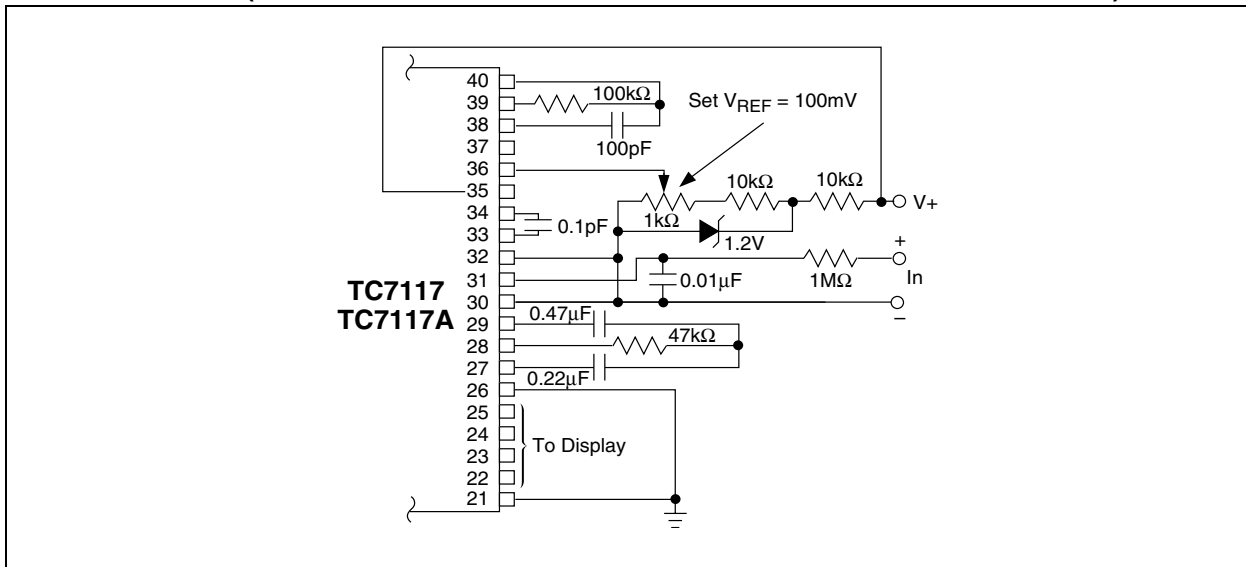


FIGURE 6-8: TC7117/TC7117A OPERATED FROM SINGLE +5V SUPPLY (AN EXTERNAL REFERENCE MUST BE USED IN THIS APPLICATION)

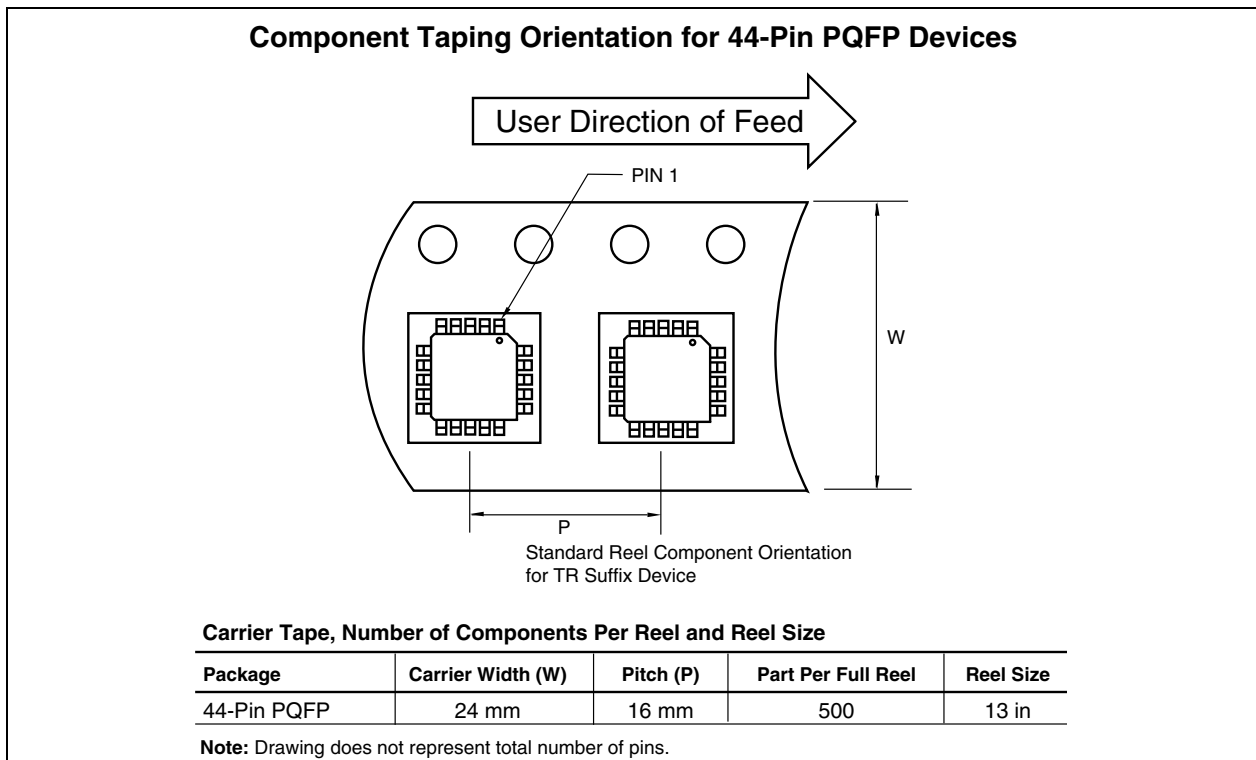
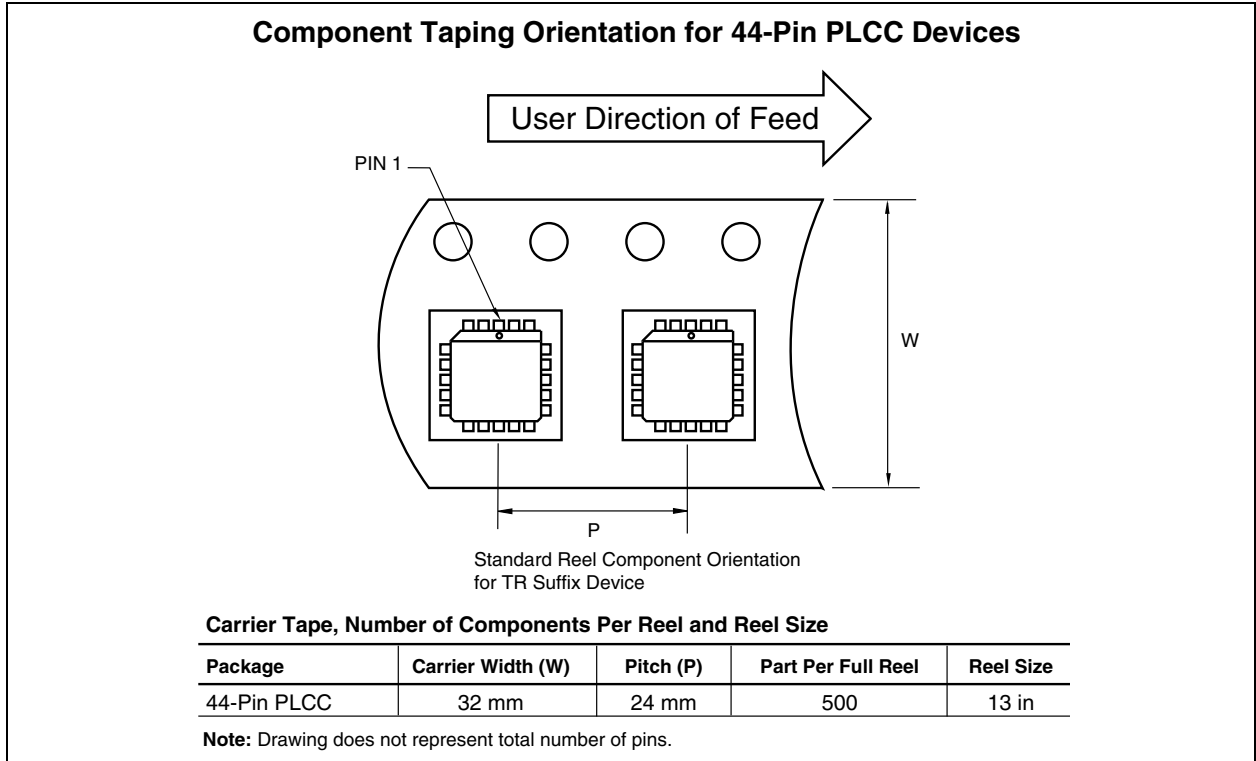


7.0 PACKAGING INFORMATION

7.1 Package Marking Information

Package marking data not available at this time.

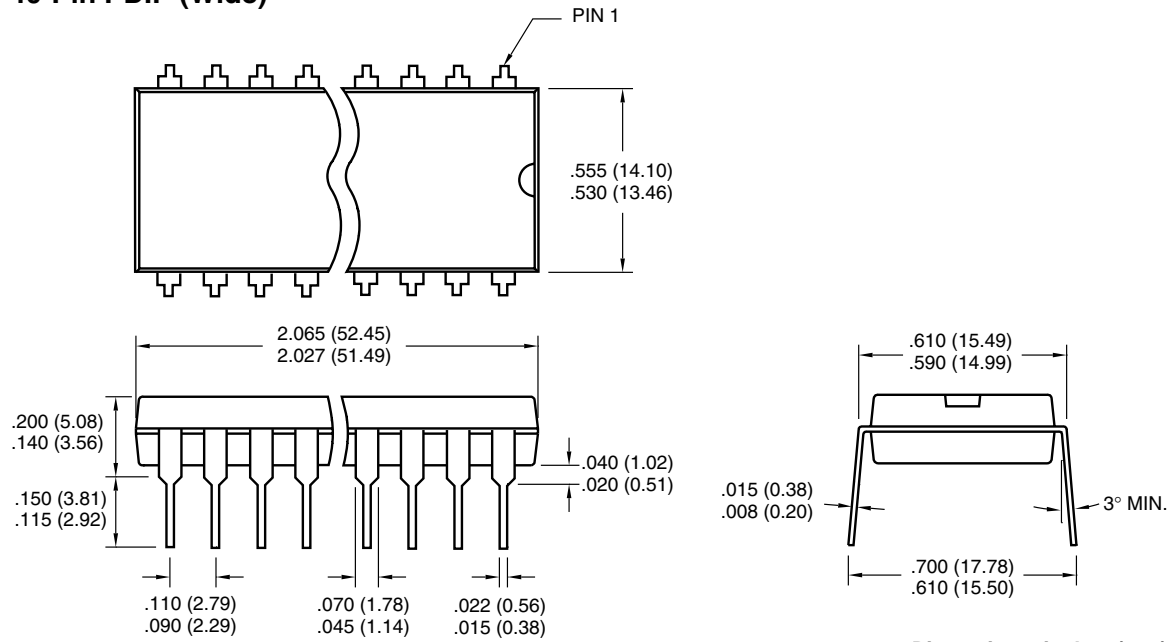
7.2 Taping Form



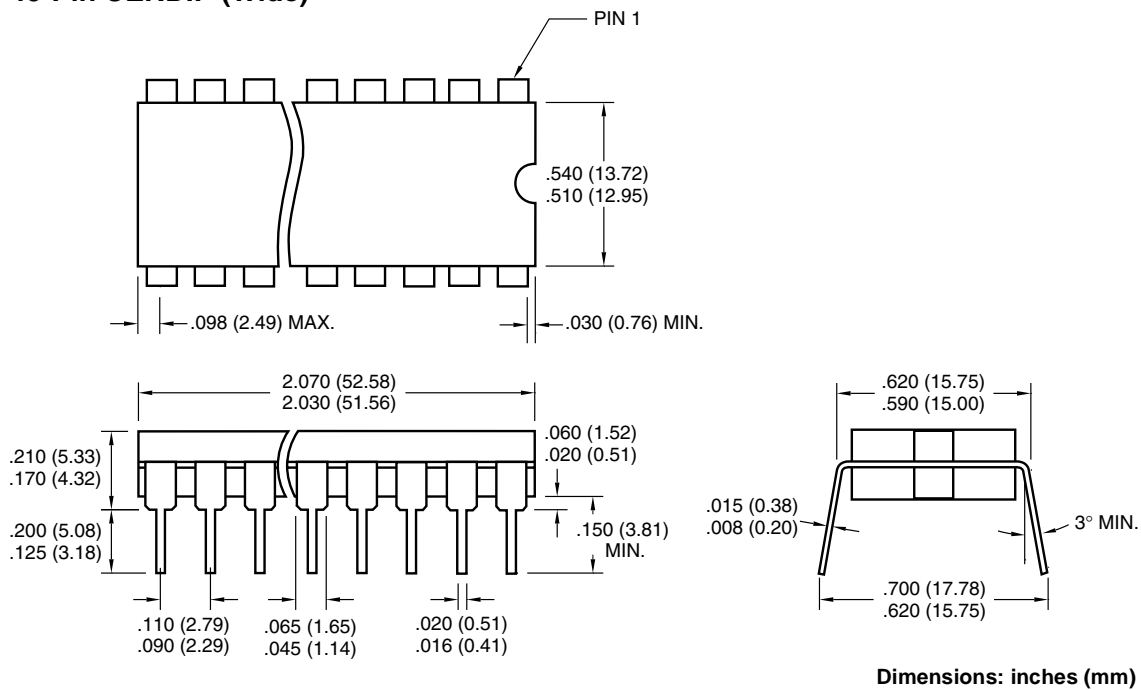
TC7116/A/TC7117/A

7.3 Package Dimensions

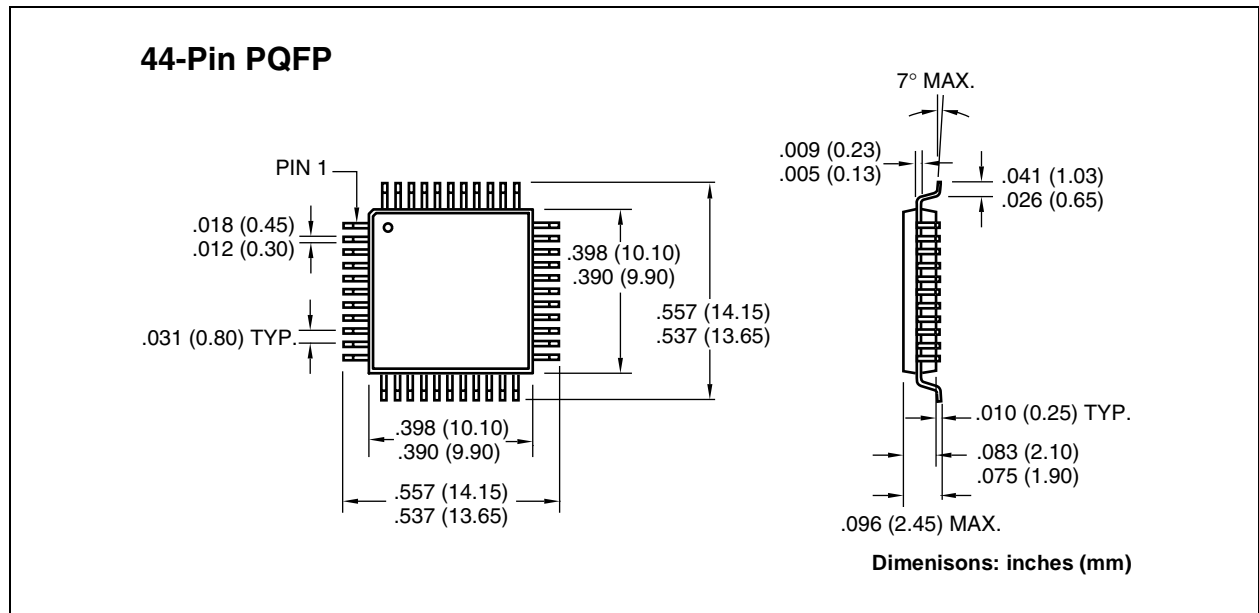
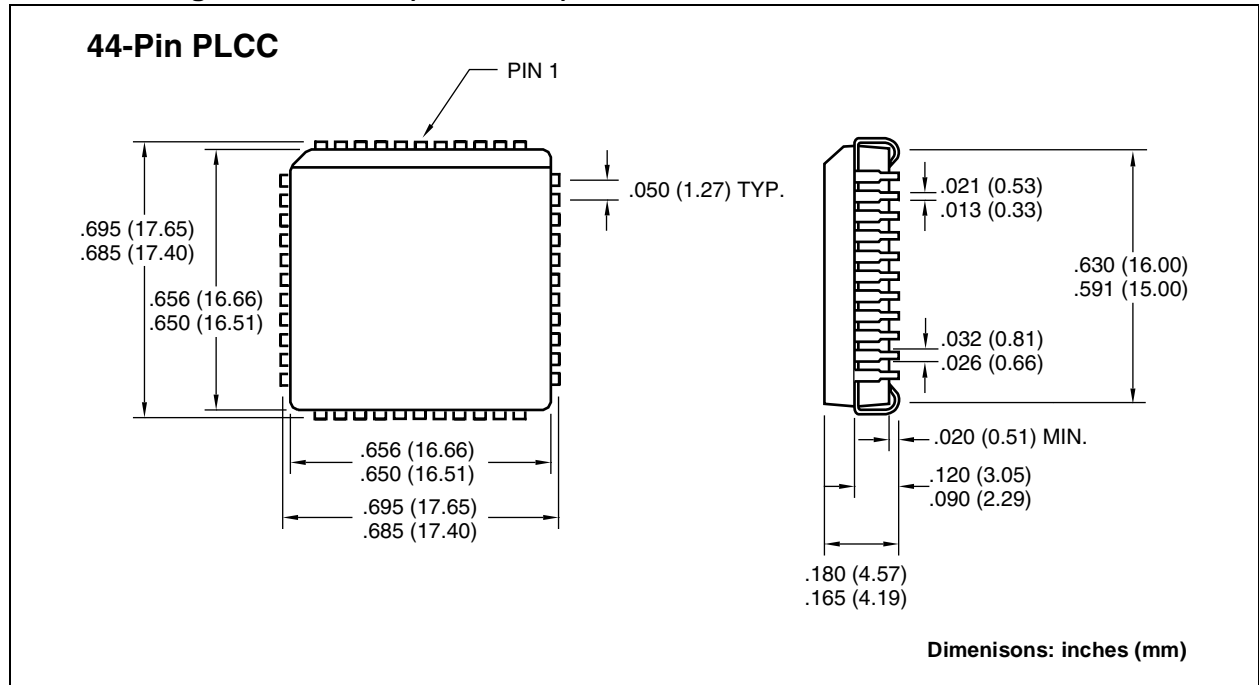
40-Pin PDIP (Wide)



40-Pin Cerdip (Wide)



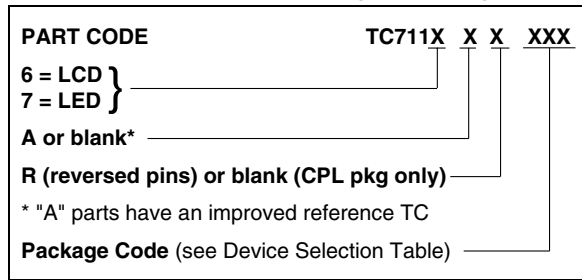
7.3 Package Dimensions (Continued)



TC7116/A/TC7117/A

PRODUCT IDENTIFICATION SYSTEM

To order or obtain information, e.g., on pricing or delivery, refer to the factory or the listed sales office.



SALES AND SUPPORT

Data Sheets

Products supported by a preliminary Data Sheet may have an errata sheet describing minor operational differences and recommended workarounds. To determine if an errata sheet exists for a particular device, please contact one of the following:

1. Your local Microchip sales office
2. The Microchip Corporate Literature Center U.S. FAX: (480) 792-7277
3. The Microchip Worldwide Site (www.microchip.com)

Please specify which device, revision of silicon and Data Sheet (include Literature #) you are using.

New Customer Notification System

Register on our web site (www.microchip.com/cn) to receive the most current information on our products.

Information contained in this publication regarding device applications and the like is intended through suggestion only and may be superseded by updates. It is your responsibility to ensure that your application meets with your specifications. No representation or warranty is given and no liability is assumed by Microchip Technology Incorporated with respect to the accuracy or use of such information, or infringement of patents or other intellectual property rights arising from such use or otherwise. Use of Microchip's products as critical components in life support systems is not authorized except with express written approval by Microchip. No licenses are conveyed, implicitly or otherwise, under any intellectual property rights.

Trademarks


The Microchip name and logo, the Microchip logo, FilterLab, KEELOQ, microID, MPLAB, PIC, PICmicro, PICMASTER, PICSTART, PRO MATE, SEEVAL and The Embedded Control Solutions Company are registered trademarks of Microchip Technology Incorporated in the U.S.A. and other countries.

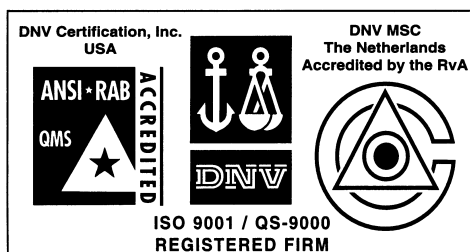
dsPIC, ECONOMONITOR, FanSense, FlexROM, fuzzyLAB, In-Circuit Serial Programming, ICSP, ICEPIC, microPort, Migratable Memory, MPASM, MPLIB, MPLINK, MPSIM, MXDEV, PICC, PICDEM, PICDEM.net, rfPIC, Select Mode and Total Endurance are trademarks of Microchip Technology Incorporated in the U.S.A.

Serialized Quick Turn Programming (SQTP) is a service mark of Microchip Technology Incorporated in the U.S.A.

All other trademarks mentioned herein are property of their respective companies.

© 2002, Microchip Technology Incorporated, Printed in the U.S.A., All Rights Reserved.

 Printed on recycled paper.



Microchip received QS-9000 quality system certification for its worldwide headquarters, design and wafer fabrication facilities in Chandler and Tempe, Arizona in July 1999 and Mountain View, California in March 2002. The Company's quality system processes and procedures are QS-9000 compliant for its PICmicro® 8-bit MCUs, KEELOQ® code hopping devices, Serial EEPROMs, microperipherals, non-volatile memory and analog products. In addition, Microchip's quality system for the design and manufacture of development systems is ISO 9001 certified.



MICROCHIP

WORLDWIDE SALES AND SERVICE

AMERICAS

Corporate Office

2355 West Chandler Blvd.
Chandler, AZ 85224-6199
Tel: 480-792-7200 Fax: 480-792-7277
Technical Support: 480-792-7627
Web Address: <http://www.microchip.com>

Rocky Mountain

2355 West Chandler Blvd.
Chandler, AZ 85224-6199
Tel: 480-792-7966 Fax: 480-792-7456

Atlanta

500 Sugar Mill Road, Suite 200B
Atlanta, GA 30350
Tel: 770-640-0034 Fax: 770-640-0307

Boston

2 Lan Drive, Suite 120
Westford, MA 01886
Tel: 978-692-3848 Fax: 978-692-3821

Chicago

333 Pierce Road, Suite 180
Itasca, IL 60143
Tel: 630-285-0071 Fax: 630-285-0075

Dallas

4570 Westgrove Drive, Suite 160
Addison, TX 75001
Tel: 972-818-7423 Fax: 972-818-2924

Detroit

Tri-Atria Office Building
32255 Northwestern Highway, Suite 190
Farmington Hills, MI 48334
Tel: 248-538-2250 Fax: 248-538-2260

Kokomo

2767 S. Albright Road
Kokomo, Indiana 46902
Tel: 765-864-8360 Fax: 765-864-8387

Los Angeles

18201 Von Karman, Suite 1090
Irvine, CA 92612
Tel: 949-263-1888 Fax: 949-263-1338

New York

150 Motor Parkway, Suite 202
Hauppauge, NY 11788
Tel: 631-273-5305 Fax: 631-273-5335

San Jose

Microchip Technology Inc.
2107 North First Street, Suite 590
San Jose, CA 95131
Tel: 408-436-7950 Fax: 408-436-7955

Toronto

6285 Northam Drive, Suite 108
Mississauga, Ontario L4V 1X5, Canada
Tel: 905-673-0699 Fax: 905-673-6509

ASIA/PACIFIC

Australia

Microchip Technology Australia Pty Ltd
Suite 22, 41 Rawson Street
Epping 2121, NSW
Australia
Tel: 61-2-9868-6733 Fax: 61-2-9868-6755

China - Beijing

Microchip Technology Consulting (Shanghai)
Co., Ltd., Beijing Liaison Office
Unit 915
Bei Hai Wan Tai Bldg.
No. 6 Chaoyangmen Beidajie
Beijing, 100027, No. China
Tel: 86-10-85282100 Fax: 86-10-85282104

China - Chengdu

Microchip Technology Consulting (Shanghai)
Co., Ltd., Chengdu Liaison Office
Rm. 2401, 24th Floor,
Ming Xing Financial Tower
No. 88 TIDU Street
Chengdu 610016, China
Tel: 86-28-6766200 Fax: 86-28-6766599

China - Fuzhou

Microchip Technology Consulting (Shanghai)
Co., Ltd., Fuzhou Liaison Office
Unit 28F, World Trade Plaza
No. 71 Wusi Road
Fuzhou 350001, China
Tel: 86-591-7503506 Fax: 86-591-7503521

China - Shanghai

Microchip Technology Consulting (Shanghai)
Co., Ltd.
Room 701, Bldg. B
Far East International Plaza
No. 317 Xian Xia Road
Shanghai, 200051
Tel: 86-21-6275-5700 Fax: 86-21-6275-5060

China - Shenzhen

Microchip Technology Consulting (Shanghai)
Co., Ltd., Shenzhen Liaison Office
Rm. 1315, 13/F, Shenzhen Kerry Centre,
Renminnan Lu
Shenzhen 518001, China
Tel: 86-755-2350361 Fax: 86-755-2366086

Hong Kong

Microchip Technology Hongkong Ltd.
Unit 901-6, Tower 2, Metroplaza
223 Hing Fong Road
Kwai Fong, N.T., Hong Kong
Tel: 852-2401-1200 Fax: 852-2401-3431

India

Microchip Technology Inc.
India Liaison Office
Divyasree Chambers
1 Floor, Wing A (A3/A4)
No. 11, O'Shaugnessey Road
Bangalore, 560 025, India
Tel: 91-80-2290061 Fax: 91-80-2290062

Japan

Microchip Technology Japan K.K.
Benex S-1 6F
3-18-20, Shinyokohama
Kohoku-Ku, Yokohama-shi
Kanagawa, 222-0033, Japan
Tel: 81-45-471-6166 Fax: 81-45-471-6122

Korea

Microchip Technology Korea
168-1, Youngbo Bldg. 3 Floor
Samsung-Dong, Kangnam-Ku
Seoul, Korea 135-882
Tel: 82-2-554-7200 Fax: 82-2-558-5934

Singapore

Microchip Technology Singapore Pte Ltd.
200 Middle Road
#07-02 Prime Centre
Singapore, 188980
Tel: 65-6334-8870 Fax: 65-6334-8850

Taiwan

Microchip Technology Taiwan
11F-3, No. 207
Tung Hua North Road
Taipei, 105, Taiwan
Tel: 886-2-2717-7175 Fax: 886-2-2545-0139

EUROPE

Denmark

Microchip Technology Nordic ApS
Regus Business Centre
Lautrup høj 1-3
Ballerup DK-2750 Denmark
Tel: 45 4420 9895 Fax: 45 4420 9910

France

Microchip Technology SARL
Parc d'Activite du Moulin de Massy
43 Rue du Saule Trapu
Batiment A - 1er Etage
91300 Massy, France
Tel: 33-1-69-53-63-20 Fax: 33-1-69-30-90-79

Germany

Microchip Technology GmbH
Gustav-Heinemann Ring 125
D-81739 Munich, Germany
Tel: 49-89-627-144 0 Fax: 49-89-627-144-44

Italy

Microchip Technology SRL
Centro Direzionale Colleoni
Palazzo Taurus 1 V. Le Colleoni 1
20041 Agrate Brianza
Milan, Italy
Tel: 39-039-65791-1 Fax: 39-039-6899883

United Kingdom

Arizona Microchip Technology Ltd.
505 Eskdale Road
Winnersh Triangle
Wokingham
Berkshire, England RG41 5TU
Tel: 44 118 921 5869 Fax: 44-118 921-5820

03/01/02



Компания «Океан Электроники» предлагает заключение долгосрочных отношений при поставках импортных электронных компонентов на взаимовыгодных условиях!

Наши преимущества:

- Поставка оригинальных импортных электронных компонентов напрямую с производств Америки, Европы и Азии, а так же с крупнейших складов мира;
- Широкая линейка поставок активных и пассивных импортных электронных компонентов (более 30 млн. наименований);
- Поставка сложных, дефицитных, либо снятых с производства позиций;
- Оперативные сроки поставки под заказ (от 5 рабочих дней);
- Экспресс доставка в любую точку России;
- Помощь Конструкторского Отдела и консультации квалифицированных инженеров;
- Техническая поддержка проекта, помощь в подборе аналогов, поставка прототипов;
- Поставка электронных компонентов под контролем ВП;
- Система менеджмента качества сертифицирована по Международному стандарту ISO 9001;
- При необходимости вся продукция военного и аэрокосмического назначения проходит испытания и сертификацию в лаборатории (по согласованию с заказчиком);
- Поставка специализированных компонентов военного и аэрокосмического уровня качества (Xilinx, Altera, Analog Devices, Intersil, Interpoint, Microsemi, Actel, Aeroflex, Peregrine, VPT, Syfer, Eurofarad, Texas Instruments, MS Kennedy, Miteq, Cobham, E2V, MA-COM, Hittite, Mini-Circuits, General Dynamics и др.);

Компания «Океан Электроники» является официальным дистрибьютором и эксклюзивным представителем в России одного из крупнейших производителей разъемов военного и аэрокосмического назначения «JONHON», а так же официальным дистрибьютором и эксклюзивным представителем в России производителя высокотехнологичных и надежных решений для передачи СВЧ сигналов «FORSTAR».



JONHON

«JONHON» (основан в 1970 г.)

Разъемы специального, военного и аэрокосмического назначения:

(Применяются в военной, авиационной, аэрокосмической, морской, железнодорожной, горно- и нефтедобывающей отраслях промышленности)

«FORSTAR» (основан в 1998 г.)

ВЧ соединители, коаксиальные кабели, кабельные сборки и микроволновые компоненты:

(Применяются в телекоммуникациях гражданского и специального назначения, в средствах связи, РЛС, а так же военной, авиационной и аэрокосмической отраслях промышленности).



Телефон: 8 (812) 309-75-97 (многоканальный)

Факс: 8 (812) 320-03-32

Электронная почта: ocean@oceanchips.ru

Web: <http://oceanchips.ru/>

Адрес: 198099, г. Санкт-Петербург, ул. Калинина, д. 2, корп. 4, лит. А