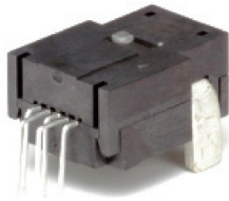


Magnetic Proportion System / Compact size and High-speed response. Vcc = +3.3V

# LA02P Series



### ABSOLUTE MAXIMUM RATINGS

| Parameters                            | Symbol           | Unit | Value | Comment               |
|---------------------------------------|------------------|------|-------|-----------------------|
| Supply voltage                        | V <sub>DD</sub>  | V    | 6.5   |                       |
| Jumper temperature                    | —                | °C   | 120   |                       |
| Output current                        | I <sub>out</sub> | mA   | ± 1   | Recommend ; < ± 0.5mA |
| ESD rating<br>(HBM: Human Body Model) | —                | kV   | 2     | C=100pF, R=1.5k Ω     |

### ISOLATION CHARACTERISTICS

| Parameters                         | Symbol          | Unit | Value  | Comment  |
|------------------------------------|-----------------|------|--|--|
| Insulation voltage                 | V <sub>d</sub>  | V    | ≥ AC3000V, 50/60Hz, for 1minute<br>(Sensing current 0.5mA) | Primary ↔ Secondary  |
| Impulse withstand voltage          | V <sub>w</sub>  | kV   | 6  | Primary ↔ Secondary<br>Input waveform :<br>• Front time 1.2μs<br>• Time to half value 50μs<br>• single |
| Clearance distance                 | d <sub>ci</sub> | mm   | 13.3   | Primary ↔ Secondary  |
| Creepage distance                  | d <sub>cp</sub> | mm   | 13.3   | Primary ↔ Secondary  |
| Case material                      | —               | —    | UL94 V-0   |  |
| Comparative Tracking Index : (CTI) | CTI             | V    | 150  |  |

### ENVIRONMENTAL AND MECHANICAL CHARACTERISTICS

| Parameters                    | Symbol         | Unit | Value   |     |       | Comment |
|-------------------------------|----------------|------|---------|-----|-------|---------|
|                               |                |      | MIN     | TYP | MAX   |         |
| Ambient operating temperature | T <sub>a</sub> | °C   | - 40    |     | + 110 |         |
| Ambient storage temperature   | T <sub>s</sub> | °C   | - 40    |     | + 150 |         |
| Mass                          | m              | g    |         | 5.5 |       |         |
| Internal magnetic core        | —              | —    | Ferrite |     |       |         |

### SPECIFICATIONS

T<sub>a</sub>=+25°C, V<sub>DD</sub>=+3.3V, R<sub>L</sub>≥10MΩ

| Parameters                | Symbol      | Unit           | Value |      |     | Comment |
|---------------------------|-------------|----------------|-------|------|-----|---------|
|                           |             |                | MIN   | TYP  | MAX |         |
| Measurement current range | LA02P021S03 | I <sub>f</sub> | A     | - 21 |     | 21      |
|                           | LA02P035S03 |                |       | - 35 |     | 35      |
|                           | LA02P054S03 |                |       | - 54 |     | 54      |
|                           | LA02P085S03 |                |       | - 85 |     | 85      |

SPECIFICATIONS

Ta=+25°C, VDD=+3.3V, RL≥10MΩ

| Parameters   | Symbol          | Unit  | Value |         |       | Comment  |   |
|--|-----------------|-------|-------|---------|-------|----------|---|
|  |                 |       | MIN   | TYP     | MAX   |          |   |
| Maximum primary current (RMS)  | $I_{p(RMS)max}$ | A     |       |         | 50    | * 1      |   |
| Supply Voltage   | $V_{DD}$        | V     | 2.97  | 3.3     | 3.63  |          |   |
| Number of primary turns  | $N_p$           | T     | 1     |         |       |          |   |
| Primary Jumper resistance  | $R_p$           | mΩ    |       | 0.1     |       |          |   |
| Current consumption (at If)  | $I_{DD}$        | mA    |       |         | 10    |          |   |
| Offset voltage (at If=0A)  | —               | Vof   | V     | 1.636   | 1.650 | 1.664    | At factory shipment   |
|  | LA02P021S03     |       |       | (1.565) | 1.650 | (1.735)  | Reference value after the flow soldering and over the lifetime of this product. |
|  | LA02P035S03     |       |       | (1.593) | 1.650 | (1.707)  |   |
|  | LA02P054S03     |       |       | (1.608) | 1.650 | (1.692)  |   |
|  | LA02P085S03     |       |       | (1.618) | 1.650 | (1.682)  |   |
| Temperature drift of offset voltage (at Ta= -40 ~ +110°C, Variation from Vof (Ta=35°C), Ip=0A) | LA02P021S03     | TCVof | mV    | ± 9.0   |       |          |   |
|  | LA02P035S03     |       |       | ± 5.5   |       |          |   |
|  | LA02P054S03     |       |       | ± 3.5   |       |          |   |
|  | LA02P085S03     |       |       | ± 2.5   |       |          |   |
| Sensitivity  | LA02P021S03     | G     | mV/A  | 61.1    | 62.5  | 63.9     |   |
|  | LA02P035S03     |       |       | 36.7    | 37.5  | 38.3     |   |
|  | LA02P054S03     |       |       | 23.9    | 24.5  | 25.1     |   |
|  | LA02P085S03     |       |       | 15.1    | 15.5  | 15.9     |   |
| Temperature coefficient 1 of Sensitivity (at Ta= -40 ~ +110°C, Variation ratio to G (Ta=35°C)) | TCG1            | %     |       | ± 0.4   |       |          |   |
| Output Linearity (at 0... If)  | $\epsilon_L$    | %F.S. | - 1   |         | 1     |          |   |
| Output noise voltage   | $V_{NRMS}$      | mVrms |       | 1.7     |       |          |   |
| Ratiometric error of sensitivity   | $V_{G-R}$       | %     | - 1   |         | 1     |          |   |
| Ratiometric error of offset voltage  | LA02P021S03     | Vof-R | %F.S. | - 0.8   |       | 0.8      |   |
|  | LA02P035S03     |       |       | - 0.6   |       | 0.6      |   |
|  | LA02P054S03     |       |       | - 0.6   |       | 0.6      |   |
|  | LA02P085S03     |       |       | - 0.6   |       | 0.6      |   |
| Response time 1 (at 90% of If)   | tr              | μs    |       | 1       |       | CL=100pF |   |
| Frequency bandwidth (-3dB)   | BW              | kHz   |       | 300     |       | CL=100pF |   |

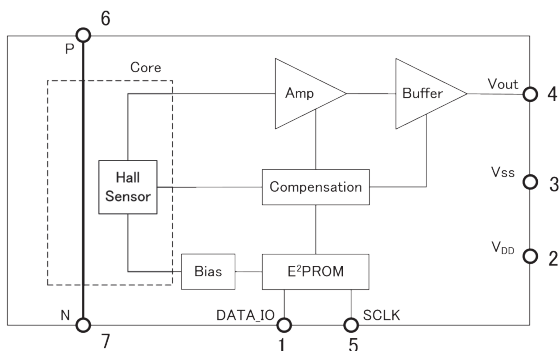
\* 1 When  $I_{p(RMS)max}$  is bigger than the value of If,  $I_{p(RMS)max}$  restricts it to the value of If.

STANDARDS

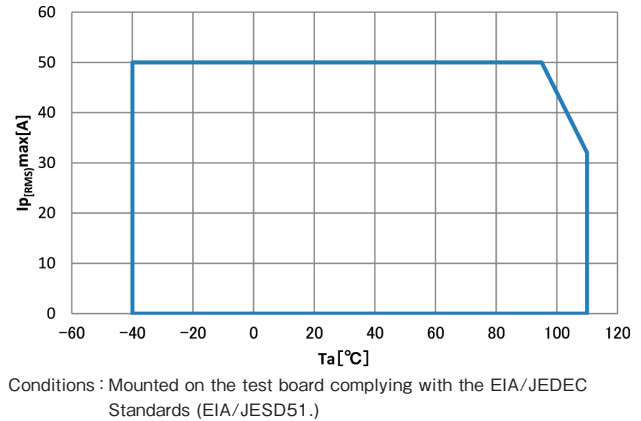
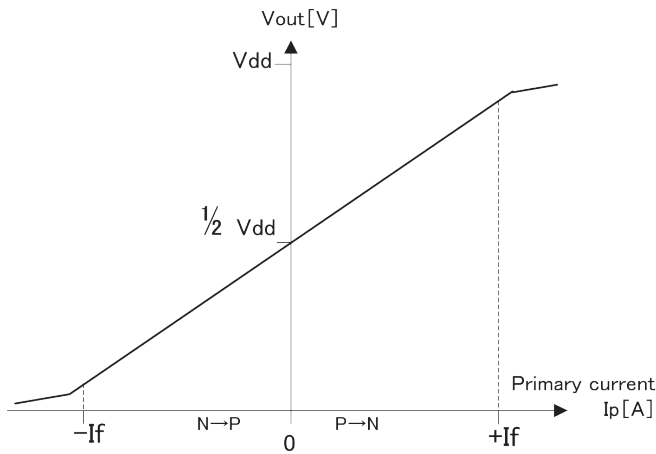
IEC60950 , UL508 , CSA C22.2 No. 14

※ Please refer to the another sheet about conditions of UL Recognition.

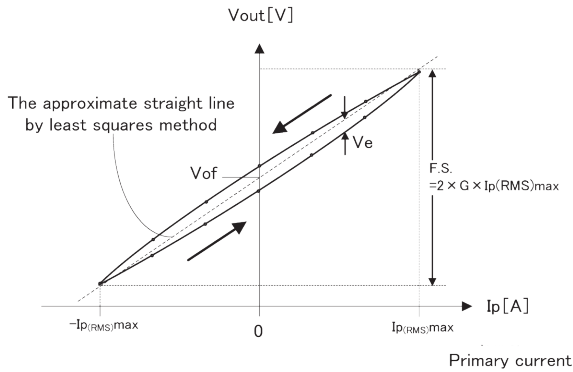
FUNCTIONAL BLOCK DIAGRAM



CHARACTERISTIC CURVE (TYP) AND PRIMARY CURRENT DERATING CURVE



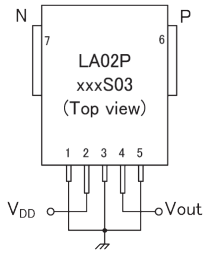
CHARACTERISTICS DEFINITIONS



• When  $I_{p(RMS)max}$  is bigger than the value of  $I_f$ ,  $I_{p(RMS)max}$  restricts it to the value of  $I_f$ .

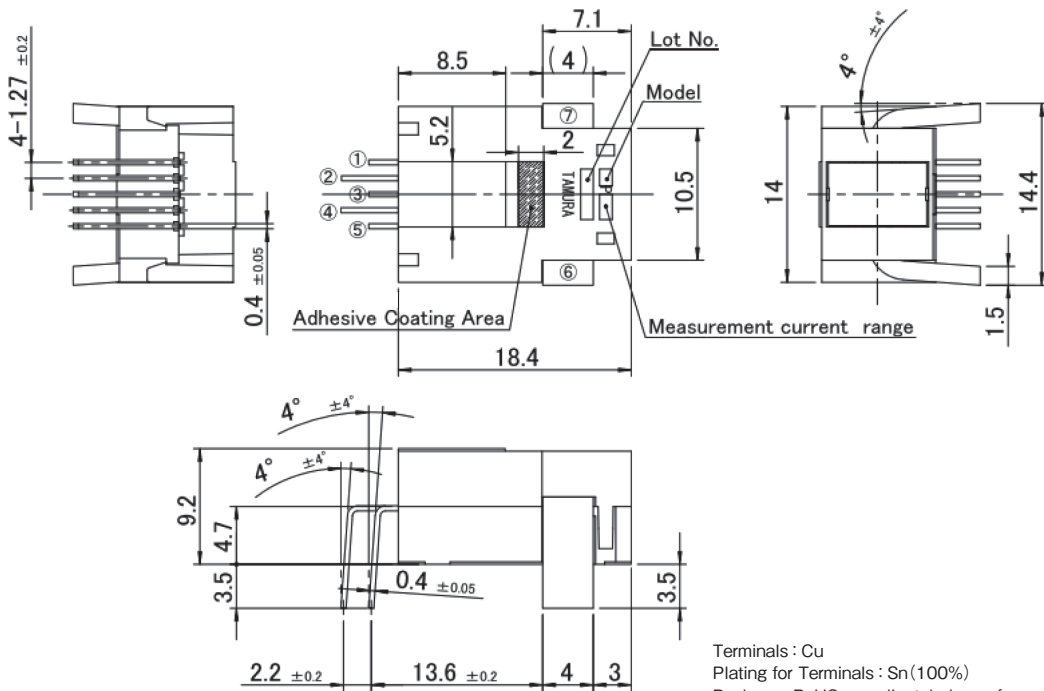
- Sensitivity  $G$  [mV/A], Offset voltage  $V_{of}$  [V]  
Sensitivity ( $G$ ) is defined as slope of the approximate straight line by least squares method, using the data of the output voltage ( $V_{out}$ ) when sweeping the measured current  $I_p$  at rated current range.  
Also Offset voltage ( $V_{of}$ ) is defined as the intercept of the approximate straight line.
- Output linearity  $\epsilon_L$  [%]  
Output linearity ( $\epsilon_L$ ) is defined as the ratio of maximum error voltage ( $V_e$ ) to the full scale (F.S.), where  $V_d$  is maximum difference between the Output voltage ( $V_{out}$ ) and the approximate straight line calculated in the sensitivity and offset voltage definition;  
$$\epsilon_L = V_e / F.S. \times 100$$
- Ratiometric error of sensitivity  $V_{G-R}$  [%], ratiometric error of Offset voltage  $V_{of-R}$  [%]  
Output of LA02P Series is ratiometric.  
Sensitivity ( $G$ ) and Offset voltage ( $V_{of}$ ) are proportional to Supply voltage ( $V_{DD}$ ).
- Ratiometric error is defined as follows in the supply voltage range ( $2.97V < V_{DD1} < 3.63V$ );  
$$V_{G-R} = 100 \times [(G(V_{DD}=V_{DD1}) / G(V_{DD}=3.3V)) - (V_{DD1} / 3.3)] / (V_{DD1} / 3.3)$$
  
$$V_{of-R} = 100 \times [V_{of}(V_{DD}=V_{DD1}) - V_{of}(V_{DD}=3.3V) \times (V_{DD1} / 3.3)] / F.S.$$

TERMINAL DESCRIPTIONS



| Terminal number   | Description               |
|-------------------|---------------------------|
| ① DATA_IO         | Test pin (connect to GND) |
| ② V <sub>DD</sub> | Power supply (3.3V)       |
| ③ V <sub>SS</sub> | GND (0V)                  |
| ④ Vout            | Analog output             |
| ⑤ SCLK            | Test pin (connect to GND) |
| ⑥ P               | Input                     |
| ⑦ N               | Output                    |

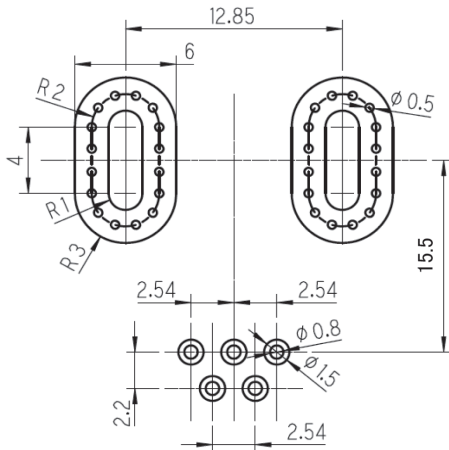
DIMENSIONS (mm)



Terminals : Cu  
 Plating for Terminals : Sn(100%)  
 Package : RoHS compliant, halogen free

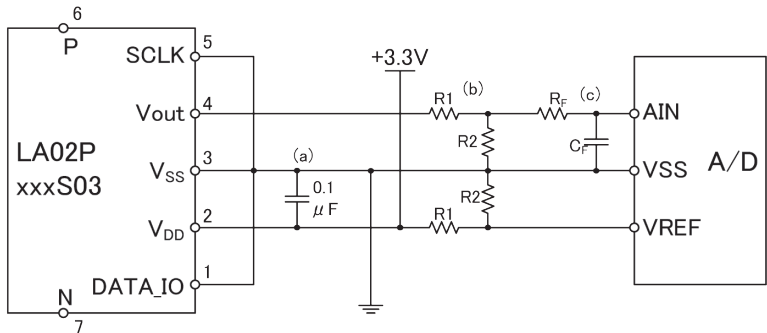
Note1) The tolerances of dimensions without any mention are ± 0.1mm.

RECOMMENDED THROUGH-HOLE LAYOUTS (mm)



Note) If 2 or more trace layers are used as the current path, please make enough number of through-holes to flow current between the trace layers.

TYPICAL APPLICATION



- (a) Please be placed the bypass capacitor 0.1 μ F as close as possible to the VDD and VSS pins of LA02P Series.
- (b) LA02P Series have a ratiometric output. When received output by the A / D converter , it is possible to reduce the A / D conversion error due to supply voltage fluctuations by setting a common voltage level of the A / D converter and supply voltage. The resistive divider with R1 and R2 is required, if the reference voltage of the A / D converter is lower than + 3.3V.
- (c) If necessary, please insert a low-pass filter to Vout.

TYPE DESIGNATION

LA02 P \* \* \* S 03

①      ②      ③      ④      ⑤

- ① Model (4 figures)  
LA02 : Series
- ② Mounting configuration (1 figure)  
P : PCB Mounting type
- ③ Measurement current range (3 figures)  
Ex) 035 : 35A    085 : 85A
- ④ Control power supply type (1 figure)  
S : Single supply
- ⑤ Power supply voltage (2 digits)

RELIABILITY TEST

| No. | Item                               | Test Conditions  | n  | Test Time             |
|-----|------------------------------------|--|----|-----------------------|
| 1   | High Temp. High Humidity Bias Test | 【JEITA EIAJ ED-4701 102】<br>Ta=85°C, 85%RH, continuous operation   | 22 | 1000h                 |
| 2   | High Temperature Bias Test         | 【JEITA EIAJ ED-4701 101】<br>Ta=125°C,continuous operation  | 22 | 1000h                 |
| 3   | High Temperature Storage Test      | 【JEITA EIAJ ED-4701 201】<br>Ta=150°C   | 22 | 1000h                 |
| 4   | Low Temperature Storage Test       | 【JEITA EIAJ ED-4701 202】<br>Ta=-55°C   | 22 | 1000h                 |
| 5   | Heat Cycle Test                    | 【JEITA EIAJ ED-4701 105】<br>-65°C(30min) ⇄ 150°C(30min)<br>Tested in vapor phase                                 | 22 | 500 cycles            |
| 6   | Vibration Test                     | 【JEITA EIAJ ED-4701 403】<br>Vibration frequency: 10~55Hz(1 min.)<br>Vibration amplitude: 1.5mm(x,y,z directions) | 5  | 2h for each direction |

Tested samples are pretreated as below before each reliability test:  
Desiccation : 125°C /24h → Moisture Absorption : 85°C /85%RH/168h → Flow : 1 time (260°C , 10s)

Criterion for determining

Products whose drifts before and after the reliability tests do not exceed the values below are considered to be in spec.

- Sensitivity G (Ta=25°C) : Within ± 1.5% (All model)
- Offset Voltage Vof (Ta=25°C) : Within ± 100mV (LA02P021S03), Within ± 66mV (Other model)
- Output Linearity εL (Ta=25°C) : Within ± 1% (All model)

## Important Notice

1. The content of this information is subject to change without prior notice for the purpose of improvements, etc. Ensure that you are in possession of the most up-to-date information when using this product.
2. This product is intended to be used in general electronics applications (electric home appliances, business equipment, information equipment, communication terminal equipment, measuring devices, industrial equipment, and so on). This product is neither intended nor warranted for use in following equipment or devices:
 

Special application (such as for medical devices, transportation equipment, traffic signal control equipment, fire and crime prevention equipment, aeronautics and space devices, nuclear power control, fuel control, in-vehicle equipment, safety devices, and so on) in which extremely high quality and high reliability is required, or if the malfunction or failures of product could be cause loss of human life, bodily injury.

Tamura Corporation shall not be held responsible for any damage incurred by customers or any third party when products are used in special application, unless specifically permitted in this document.
3. Tamura Corporation constantly strives to improve quality and reliability, but malfunction or failures are bound to occur with some probability in current sensor. To ensure that failures do not cause accidents resulting in injury or death, fire accidents, social damage, and so on, users are to thoroughly verify the safety of their designs in devices and/or systems.
4. The operation examples and circuit examples shown in this information are for reference purposes only, and Tamura Corporation disclaims all responsibility for any violations of industrial property rights, intellectual property rights and any other rights owned by Tamura Corporation or third parties that these may entail.
5. The circuit examples and part constants listed in these specifications are provided as reference for the verification of characteristics. The user is to perform design, verification, and judgment under his or her own responsibility, taking into account the various conditions.
6. The products are designed for use in environments where consumer electronics are commonly used. It is not designed for use in special environments such as listed below, and if such use is considered, the user is to perform thorough safety and reliability checks under his/her responsibility.
7. This product is not designed to resist radiation.
  - Use in liquids such as water, oil, chemical solutions, or organic solvents, and use in locations where the product will be exposed to such liquids.
  - Use that involves exposure to direct sunlight, outdoor exposure, or dusty conditions.
  - Use in locations where corrosive gases such as sea winds, Cl<sub>2</sub>, H<sub>2</sub>S, NH<sub>3</sub>, SO<sub>2</sub>, or NO<sub>2</sub>, are present. (Some product improves durability)
  - Use in environments with strong static electricity or electromagnetic radiation.
  - Use that involves placing inflammable material next to the product.
  - Use of this product either sealed with a resin filling or coated with resin.
  - Use of water or a water soluble detergent for flux cleaning.
  - Use in locations where condensation is liable to occur.
8. Do not use or otherwise make available the TAMURA products or the technology described in this document for any military purposes, including without limitation, for the design, development, use, stockpiling or manufacturing of mass destruction weapons (e.g. nuclear, chemical, or biological weapons or missile technology products). When exporting and re-exporting the products or technology described in this document, you should comply with the applicable export control laws and regulations and follow the procedures required by such laws and regulations including, without limitation, Japan -Foreign Exchange and Foreign Trade Control Law and U.S.-Export Administration Regulations. The TAMURA products and related technology should not be used for or incorporated into any products or systems whose manufacture, use, or sale is prohibited under any applicable domestic or foreign laws or regulations.
9. Please contact your TAMURA sales office for details as to environmental matters such as the RoHS compatibility of Product. Please use TAMURA products in compliance with all applicable laws and regulations that regulate the inclusion or use of controlled substances, including without limitation, the EU RoHS Directive. TAMURA assumes no liability for damages or losses occurring as a result of your noncompliance with applicable laws and regulations.
10. TAMURA assumes no liability for damages or losses incurred by you or third parties as a result of unauthorized use of TAMURA products.
11. This document and any information herein may not be reproduced in whole or in part without prior written permission from TAMURA.

# Application notes

## <General Considerations>

1. The sensor uses polar electronic components. When the polarity of the power supply is mistaken, the sensor is damaged.
2. Static electricity or excessive voltage can increase an offset voltage in the Hall element, and cause offset voltage to change. Please exercise care in handling and application.
3. In order to prevent the influence of noise, the use of twisted cable or shielded cable for the output line is recommended
4. If using this device within a magnetic field generated by other devices, the specified accuracy may not be obtainable.
5. Our products (several models are excluded ) are adjusted with the trimming method by the measurement condition (Load resistance, Power supply voltage) of specification sheets. Therefore, characteristics (Offset, Output, etc.) and its deviation may be changed in different circuit conditions from the measurement condition. All change characteristic items are not indicated on specification sheets.
6. The performance of current sensors with through-hole (aperture) is dependent on the position of the primary conductor. Tamura specifications are based on a primary conductor completely filling the through-hole (aperture) area.
7. The current sensor rated current in DC Amps.
8. Please use mating connector with equivalent terminal plating material to insure proper operation and avoid possibility of 'galvanic corrosion' .
9. Please do not store in high-temperature and high-humidity storage environment. Please use it after confirming soldering when it is kept for six months or more. (product soldered with substrate)
10. We recommend performing a zero offset adjustment by measuring the offset voltage at startup. In continuously operation for a few months, or at change of ambient temperature or humidity is large, we recommend regularly performing a zero offset adjustment at being idling (it is clear that the current is not apply) .

## <Open loop>

1. High frequency primary current may result in excessive heating in iron magnetic core and cause damage to internal circuitry; for high frequency applications select current sensor with ferrite core material.
2. If the measured current exceeds the rated current, magnetic core saturation will occur and the output voltage signal will not be linearly proportional to the measured current.

## <Closed Loop>

1. For closed loop current sensors please insure the power supply voltage is balanced, symmetrical, and, applied simultaneously to avoid potential increase in DC offset error.
2. Maximum rated current measurement duration is timedependent. Maximum rated current applied in excess of the time limit can result in damage to internal electronic circuitry; please consult Tamura for assistance.
3. When using a measurement resistor to convert current output to voltage output select a resistor with stable temperature characteristic to insure accuracy of the output voltage.
4. Compensation current supplied to the secondary winding varies in proportion to the measured current based on the conversion ratio. (If/ $KN$ ;  $KN$  = secondary turns) Please insure the PSU has required current capacity to supply compensation current to the secondary winding.

## <Flux-Gate>

1. Compensation current supplied to the secondary winding varies in proportion to the measured current. Please insure the PSU has required current capacity to supply compensation current to the secondary winding.
2. There is 450kHz ripple voltage present on the output and reference output voltage signals . An external capacitor maybe added if necessary.

# Mouser Electronics

Authorized Distributor

Click to View Pricing, Inventory, Delivery & Lifecycle Information:

Tamura:

[LA02P021S03](#) [LA02P054S03](#) [LA02P035S03](#) [LA02P085S03](#)



Компания «Океан Электроники» предлагает заключение долгосрочных отношений при поставках импортных электронных компонентов на взаимовыгодных условиях!

Наши преимущества:

- Поставка оригинальных импортных электронных компонентов напрямую с производств Америки, Европы и Азии, а так же с крупнейших складов мира;
- Широкая линейка поставок активных и пассивных импортных электронных компонентов (более 30 млн. наименований);
- Поставка сложных, дефицитных, либо снятых с производства позиций;
- Оперативные сроки поставки под заказ (от 5 рабочих дней);
- Экспресс доставка в любую точку России;
- Помощь Конструкторского Отдела и консультации квалифицированных инженеров;
- Техническая поддержка проекта, помощь в подборе аналогов, поставка прототипов;
- Поставка электронных компонентов под контролем ВП;
- Система менеджмента качества сертифицирована по Международному стандарту ISO 9001;
- При необходимости вся продукция военного и аэрокосмического назначения проходит испытания и сертификацию в лаборатории (по согласованию с заказчиком);
- Поставка специализированных компонентов военного и аэрокосмического уровня качества (Xilinx, Altera, Analog Devices, Intersil, Interpoint, Microsemi, Actel, Aeroflex, Peregrine, VPT, Syfer, Eurofarad, Texas Instruments, MS Kennedy, Miteq, Cobham, E2V, MA-COM, Hittite, Mini-Circuits, General Dynamics и др.);

Компания «Океан Электроники» является официальным дистрибьютором и эксклюзивным представителем в России одного из крупнейших производителей разъемов военного и аэрокосмического назначения «**JONHON**», а так же официальным дистрибьютором и эксклюзивным представителем в России производителя высокотехнологичных и надежных решений для передачи СВЧ сигналов «**FORSTAR**».



## JONHON

«**JONHON**» (основан в 1970 г.)

Разъемы специального, военного и аэрокосмического назначения:

(Применяются в военной, авиационной, аэрокосмической, морской, железнодорожной, горно- и нефтедобывающей отраслях промышленности)

«**FORSTAR**» (основан в 1998 г.)

ВЧ соединители, коаксиальные кабели, кабельные сборки и микроволновые компоненты:

(Применяются в телекоммуникациях гражданского и специального назначения, в средствах связи, РЛС, а так же военной, авиационной и аэрокосмической отраслях промышленности).



Телефон: 8 (812) 309-75-97 (многоканальный)

Факс: 8 (812) 320-03-32

Электронная почта: [ocean@oceanchips.ru](mailto:ocean@oceanchips.ru)

Web: <http://oceanchips.ru/>

Адрес: 198099, г. Санкт-Петербург, ул. Калинина, д. 2, корп. 4, лит. А