

## NPN SILICON SWITCHING TRANSISTOR

Qualified per MIL-PRF-19500/255

### DEVICES

<b>2N2221A</b>	<b>2N2222A</b>
<b>2N2221AL</b>	<b>2N2222AL</b>
<b>2N2221AUA</b>	<b>2N2222AUA</b>
<b>2N2221AUB</b>	<b>2N2222AUB</b>
<b>2N2221AUBC *</b>	<b>2N2222AUBC *</b>

\* Available to JANS quality level only.

### LEVELS

**JAN**  
**JANTX**  
**JANTXV**  
**JANS**

### ABSOLUTE MAXIMUM RATINGS ( $T_C = +25^\circ\text{C}$ unless otherwise noted)

Parameters / Test Conditions	Symbol	Value	Unit
Collector-Emitter Voltage	$V_{CEO}$	50	Vdc
Collector-Base Voltage	$V_{CBO}$	75	Vdc
Emitter-Base Voltage	$V_{EBO}$	6.0	Vdc
Collector Current	$I_C$	800	mAdc
Total Power Dissipation @ $T_A = +25^\circ\text{C}$	$P_T$	0.5	W
Operating & Storage Junction Temperature Range	$T_{op}, T_{stg}$	-65 to +200	$^\circ\text{C}$

### THERMAL CHARACTERISTICS

Parameters / Test Conditions	Symbol	Max.	Unit
Thermal Resistance, Junction-to-Ambient	$R_{\theta JA}$	325	$^\circ\text{C}/\text{W}$
2N2221A, L			
2N2221AUA			
2N2221AUB, UBC			
2N2222A, L	210	325	$^\circ\text{C}/\text{W}$
2N2222AUA			
2N2222AUB, UBC			

**Note:** Consult 19500/255 for thermal performance curves.

- Derate linearly 3.08mW/ $^\circ\text{C}$  above  $T_A > +37.5^\circ\text{C}$
- Derate linearly 4.76mW/ $^\circ\text{C}$  above  $T_A > +63.5^\circ\text{C}$

### ELECTRICAL CHARACTERISTICS ( $T_A = +25^\circ\text{C}$ , unless otherwise noted)

Parameters / Test Conditions	Symbol	Min.	Max.	Unit
<b>OFF CHARACTERISTICS</b>				
Collector-Emitter Breakdown Voltage $I_C = 10\text{mAdc}$	$V_{(BR)CEO}$	50		Vdc
Collector-Base Cutoff Current $V_{CB} = 75\text{Vdc}$ $V_{CB} = 60\text{Vdc}$	$I_{CBO}$		10 10	$\mu\text{Adc}$ $\eta\text{Adc}$
Emitter-Base Cutoff Current $V_{EB} = 6.0\text{Vdc}$ $V_{EB} = 4.0\text{Vdc}$	$I_{EBO}$		10 10	$\mu\text{Adc}$ $\eta\text{Adc}$
Collector-Emitter Cutoff Current $V_{CE} = 50\text{Vdc}$	$I_{CES}$		50	$\eta\text{Adc}$



**TO-18 (TO-206AA)**  
 2N2221A, 2N2222A



**4 PIN**  
 2N2221AUA, 2N2222AUA



**3 PIN**  
 2N2221AUB, 2N2222AUB  
 2N2221AUBC, 2N2222AUBC  
 (UBC = Ceramic Lid Version)

## ELECTRICAL CHARACTERISTICS ( $T_A = +25^\circ\text{C}$ , unless otherwise noted)

Parameters / Test Conditions	Symbol	Min.	Max.	Unit
<b>ON CHARACTERISTICS <sup>(2)</sup></b>				
Forward-Current Transfer Ratio $I_C = 0.1\text{mA}$ dc, $V_{CE} = 10\text{V}$ dc 2N2221A, L, UA, UB, UBC 2N2222A, L, UA, UB, UBC	$h_{FE}$	30 50		
$I_C = 1.0\text{mA}$ dc, $V_{CE} = 10\text{V}$ dc 2N2221A, L, UA, UB, UBC 2N2222A, L, UA, UB, UBC		35 75	150 325	
$I_C = 10\text{mA}$ dc, $V_{CE} = 10\text{V}$ dc 2N2221A, L, UA, UB, UBC 2N2222A, L, UA, UB, UBC		40 100		
$I_C = 150\text{mA}$ dc, $V_{CE} = 10\text{V}$ dc 2N2221A, L, UA, UB, UBC 2N2222A, L, UA, UB, UBC		40 100	120 300	
$I_C = 500\text{mA}$ dc, $V_{CE} = 10\text{V}$ dc 2N2221A, L, UA, UB, UBC 2N2222A, L, UA, UB, UBC		20 30		
Collector-Emitter Saturation Voltage $I_C = 150\text{mA}$ dc, $I_B = 15\text{mA}$ dc $I_C = 500\text{mA}$ dc, $I_B = 50\text{mA}$ dc	$V_{CE(sat)}$		0.3 1.0	Vdc
Base-Emitter Voltage $I_C = 150\text{mA}$ dc, $I_B = 15\text{mA}$ dc $I_C = 500\text{mA}$ dc, $I_B = 50\text{mA}$ dc	$V_{BE(sat)}$	0.6	1.2 2.0	Vdc

## DYNAMIC CHARACTERISTICS

Parameters / Test Conditions	Symbol	Min.	Max.	Unit
Small-Signal Short-Circuit Forward Current Transfer Ratio $I_C = 1.0\text{mA}$ dc, $V_{CE} = 10\text{V}$ dc, $f = 1.0\text{kHz}$ 2N2221A, L, UA, UB, UBC 2N2222A, L, UA, UB, UBC	$h_{fe}$	30 50		
Magnitude of Small-Signal Short-Circuit Forward Current Transfer Ratio $I_C = 20\text{mA}$ dc, $V_{CE} = 20\text{V}$ dc, $f = 100\text{MHz}$	$ h_{fe} $	2.5		
Output Capacitance $V_{CB} = 10\text{V}$ dc, $I_E = 0$ , $100\text{kHz} \leq f \leq 1.0\text{MHz}$	$C_{obo}$		8.0	pF
Input Capacitance $V_{EB} = 0.5\text{V}$ dc, $I_C = 0$ , $100\text{kHz} \leq f \leq 1.0\text{MHz}$	$C_{ibo}$		25	pF

## SWITCHING CHARACTERISTICS

Parameters / Test Conditions	Symbol	Min.	Max.	Unit
Turn-On Time See figure 8 of MIL-PRF-19500/255	$t_{on}$		35	ns
Turn-Off Time See Figure 9 of MIL-PRF-19500/255	$t_{off}$		300	ns

(2) Pulse Test: Pulse Width = 300 $\mu$ s, Duty Cycle  $\leq$  2.0%.

## PACKAGE DIMENSIONS



### NOTES:

1. Dimensions are in inches.
2. Millimeters are given for general information only.
3. Beyond r (radius) maximum, TL shall be held for a minimum length of .011 inch (0.28 mm).
4. Dimension TL measured from maximum HD.
5. Body contour optional within zone defined by HD, CD, and Q.
6. Leads at gauge plane  $.054 + .001 - .000$  inch ( $1.37 + 0.03 - 0.00$  mm) below seating plane shall be within .007 inch (0.18 mm) radius of true position (TP) at maximum material condition (MMC) relative to tab at MMC.
7. Dimension LU applies between  $L_1$  and  $L_2$ . Dimension LD applies between  $L_2$  and LL minimum. Diameter is uncontrolled in  $L_1$  and beyond LL minimum.
8. All three leads.
9. The collector shall be internally connected to the case.
10. Dimension r (radius) applies to both inside corners of tab.
11. In accordance with ASME Y14.5M, diameters are equivalent to  $\phi x$  symbology.
12. Lead 1 = emitter, lead 2 = base, lead 3 = collector.
13. For L suffix devices, dimension LL = 1.5 inches (38.10 mm) min. and 1.75 inches (44.45 mm) max.

Symbol	Dimensions				Note
	Inches		Millimeters		
	Min	Max	Min	Max	
CD	.178	.195	4.52	4.95	
CH	.170	.210	4.32	5.33	
HD	.209	.230	5.31	5.84	
LC	.100 TP		2.54 TP		6
LD	.016	.021	0.41	0.53	7,8
LL	.500	.750	12.70	19.05	7,8,13
LU	.016	.019	0.41	0.48	7,8
$L_1$		.050		1.27	7,8
$L_2$	.250		6.35		7,8
P	.100		2.54		
Q		.030		0.76	5
TL	.028	.048	0.71	1.22	3,4
TW	.036	.046	0.91	1.17	3
r		.010		0.25	10
$\alpha$	45° TP		45° TP		6
1, 2, 9, 11, 12, 13					

**FIGURE 1. Physical dimensions (similar to TO-18).**



**NOTES:**

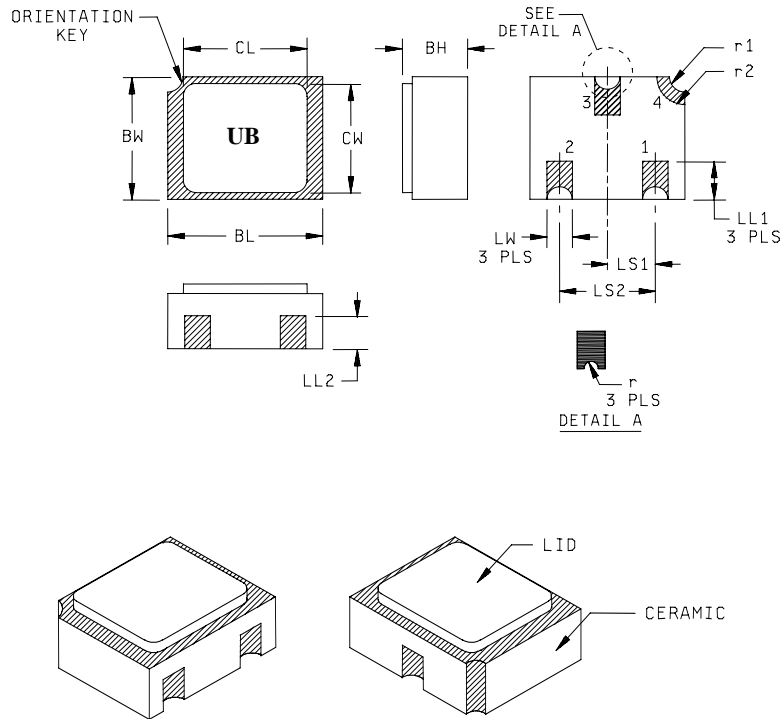
1. Dimensions are in inches.
2. Millimeters are given for general information only.
3. Dimension CH controls the overall package thickness. When a window lid is used, dimension CH must increase by a minimum of .010 inch (0.254 mm) and a maximum of .040 inch (1.020 mm).
4. The corner shape (square, notch, radius) may vary at the manufacturer's option, from that shown on the drawing.
5. Dimensions LW2 minimum and L3 minimum and the appropriate castellation length define an unobstructed three-dimensional space traversing all of the ceramic layers in which a castellation was designed. (Castellations are required on the bottom two layers, optional on the top ceramic layer.) Dimension LW2 maximum and L3 maximum define the maximum width and depth of the castellation at any point on its surface. Measurement of these dimensions may be made prior to solder dipping.
6. The co-planarity deviation of all terminal contact points, as defined by the device seating plane, shall not exceed .006 inch (0.15mm) for solder dipped leadless chip carriers.
7. In accordance with ASME Y14.5M, diameters are equivalent to  $\phi$ x symbology.

Symbol	Dimensions				Note
	Inches		Millimeters		
	Min	Max	Min	Max	
BL	.215	.225	5.46	5.71	
BL2		.225		5.71	
BW	.145	.155	3.68	3.93	
BW2		.155		3.93	
CH	.061	.075	1.55	1.90	3
L3	.003	.007	0.08	0.18	5
LH	.029	.042	0.74	1.07	
LL1	.032	.048	0.81	1.22	
LL2	.072	.088	1.83	2.23	
LS	.045	.055	1.14	1.39	
LW	.022	.028	0.56	0.71	
LW2	.006	.022	0.15	0.56	5

Pin no.	1	2	3	4
Transistor	Collector	Emitter	Base	N/C

**FIGURE 2. Physical dimensions, surface mount (UA version).**

6 Lake Street, Lawrence, MA 01841  
 1-800-446-1158 / (978) 620-2600 / Fax: (978) 689-0803  
 Website: <http://www.microsemi.com>



Symbol	Dimensions				Note
	Inches		Millimeters		
	Min	Max	Min	Max	
BH	.046	.056	1.17	1.42	
BL	.115	.128	2.92	3.25	
BW	.085	.108	2.16	2.74	
CL		.128		3.25	
CW		.108		2.74	
LL1	.022	.038	0.56	0.96	
LL2	.017	.035	0.43	0.89	

Symbol	Dimensions				Note
	Inches		Millimeters		
	Min	Max	Min	Max	
LS <sub>1</sub>	.036	.040	0.91	1.02	
LS <sub>2</sub>	.071	.079	1.81	2.01	
LW	.016	.024	0.41	0.61	
r		.008		.203	
r <sub>1</sub>		.012		.305	
r <sub>2</sub>		.022		.559	

**NOTES:**

1. Dimensions are in inches.
2. Millimeters are given for general information only.
3. Hatched areas on package denote metalized areas.
4. Pad 1 = Base, Pad 2 = Emitter, Pad 3 = Collector, Pad 4 = Shielding connected to the lid.
5. In accordance with ASME Y14.5M, diameters are equivalent to  $\phi x$  symbology.

**FIGURE 3. Physical dimensions, surface mount (UB version)**

6 Lake Street, Lawrence, MA 01841  
 1-800-446-1158 / (978) 620-2600 / Fax: (978) 689-0803  
 Website: <http://www.microsemi.com>



Symbol	Dimensions				Note
	Inches		Millimeters		
	Min	Max	Min	Max	
BH	.046	.071	1.17	1.80	
BL	.115	.128	2.92	3.25	
BW	.085	.108	2.16	2.74	
CL		.128		3.25	
CW		.108		2.74	
LL1	.022	.038	0.56	0.96	
LL2	.017	.035	0.43	0.89	

Symbol	Dimensions				Note
	Inches		Millimeters		
	Min	Max	Min	Max	
LS <sub>1</sub>	.036	.040	0.91	1.02	
LS <sub>2</sub>	.071	.079	1.81	2.01	
LW	.016	.024	0.41	0.61	
r		.008		.203	
r <sub>1</sub>		.012		.305	
r <sub>2</sub>		.022		.559	

**NOTES:**

1. Dimensions are in inches.
2. Millimeters are given for general information only.
3. Hatched areas on package denote metalized areas.
4. Pad 1 = Base, Pad 2 = Emitter, Pad 3 = Collector, Pad 4 = Connected to the lid braze ring.
5. In accordance with ASME Y14.5M, diameters are equivalent to  $\phi x$  symbology.

**FIGURE 4. Physical dimensions, surface mount (UBC version, ceramic lid)**

Компания «Океан Электроники» предлагает заключение долгосрочных отношений при поставках импортных электронных компонентов на взаимовыгодных условиях!

Наши преимущества:

- Поставка оригинальных импортных электронных компонентов напрямую с производств Америки, Европы и Азии, а так же с крупнейших складов мира;
- Широкая линейка поставок активных и пассивных импортных электронных компонентов (более 30 млн. наименований);
- Поставка сложных, дефицитных, либо снятых с производства позиций;
- Оперативные сроки поставки под заказ (от 5 рабочих дней);
- Экспресс доставка в любую точку России;
- Помощь Конструкторского Отдела и консультации квалифицированных инженеров;
- Техническая поддержка проекта, помощь в подборе аналогов, поставка прототипов;
- Поставка электронных компонентов под контролем ВП;
- Система менеджмента качества сертифицирована по Международному стандарту ISO 9001;
- При необходимости вся продукция военного и аэрокосмического назначения проходит испытания и сертификацию в лаборатории (по согласованию с заказчиком);
- Поставка специализированных компонентов военного и аэрокосмического уровня качества (Xilinx, Altera, Analog Devices, Intersil, Interpoint, Microsemi, Actel, Aeroflex, Peregrine, VPT, Syfer, Eurofarad, Texas Instruments, MS Kennedy, Miteq, Cobham, E2V, MA-COM, Hittite, Mini-Circuits, General Dynamics и др.);

Компания «Океан Электроники» является официальным дистрибьютором и эксклюзивным представителем в России одного из крупнейших производителей разъемов военного и аэрокосмического назначения «JONHON», а так же официальным дистрибьютором и эксклюзивным представителем в России производителя высокотехнологичных и надежных решений для передачи СВЧ сигналов «FORSTAR».



## JONHON

«JONHON» (основан в 1970 г.)

Разъемы специального, военного и аэрокосмического назначения:

(Применяются в военной, авиационной, аэрокосмической, морской, железнодорожной, горно- и нефтедобывающей отраслях промышленности)

«FORSTAR» (основан в 1998 г.)

ВЧ соединители, коаксиальные кабели, кабельные сборки и микроволновые компоненты:

(Применяются в телекоммуникациях гражданского и специального назначения, в средствах связи, РЛС, а так же военной, авиационной и аэрокосмической отраслях промышленности).



Телефон: 8 (812) 309-75-97 (многоканальный)

Факс: 8 (812) 320-03-32

Электронная почта: [ocean@oceanchips.ru](mailto:ocean@oceanchips.ru)

Web: <http://oceanchips.ru/>

Адрес: 198099, г. Санкт-Петербург, ул. Калинина, д. 2, корп. 4, лит. А