

Aluminum Electrolytic Capacitors

Power High Ripple Current Long Life Screw Terminals

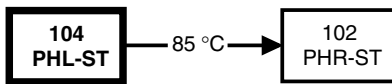


Fig. 1

| QUICK REFERENCE DATA | |
|---|-------------------------|
| DESCRIPTION | VALUE |
| Nominal case size (Ø D x L in mm) | 35 x 60 to 90 x 220 |
| Rated capacitance range (E6 series), C _R | 150 µF to 33 000 µF |
| Tolerance on C _R | ± 20 % |
| Rated voltage range, U _R | 200 V to 450 V |
| Category temperature range | -40 °C to +105 °C |
| Endurance test at 105 °C | 2000 h |
| Useful life at 105 °C | 5000 h |
| Shelf life at 0 V, 105 °C | 1000 h |
| Based on sectional specification | IEC 60384-4 / EN 130300 |
| Climatic category IEC 60068 | 40 / 105 / 56 |

FEATURES

- Long useful life: 5000 h at +105 °C
- High reliability
- Available in case sizes up to Ø 90 mm x 220 mm
- Polarized aluminum electrolytic capacitors, non-solid electrolyte
- Large types, cylindrical aluminum case, insulated with a blue sleeve
- Also available in bolt version (104 PHL-STB)
- Pressure relief in the sealing
- Material categorization: for definitions of compliance please see www.vishay.com/doc?99912


**RoHS
COMPLIANT**

APPLICATIONS

- Telecom and industrial, high temperature systems
- Smoothing and filtering
- Standard and switched mode power supplies
- Energy storage in pulse systems
- Traction (subway, metro, light rail)

MARKING

The capacitors are marked with the following information:

- Rated capacitance (in µF)
- Tolerance on rated capacitance, code letter in accordance with IEC 60062 (± 20 %)
- Rated voltage (in V)
- Date code (YYMM)
- Name of manufacturer
- Code for factory of origin
- “-” sign to identify the negative terminal, visible from the top and side of the capacitor
- Code number
- Climatic category in accordance with IEC 60068
- “LL” for long life grade

| SELECTION CHART FOR C _R , U _R , AND RELEVANT NOMINAL CASE SIZES (Ø D x L in mm) | | | | | |
|---|--------------------|----------|----------|----------|----------|
| C _R (µF) | U _R (V) | | | | |
| | 200 | 250 | 350 | 400 | 450 |
| 150 | - | - | - | - | 35 x 60 |
| 220 | - | - | - | 35 x 60 | 35 x 80 |
| 330 | - | - | 35 x 60 | 35 x 80 | 35 x 105 |
| 470 | - | - | 35 x 80 | 35 x 80 | 50 x 80 |
| 680 | 35 x 60 | 35 x 60 | 35 x 105 | 50 x 80 | 50 x 105 |
| | 35 x 60 | 35 x 80 | 50 x 80 | 50 x 105 | 50 x 105 |
| 1000 | 35 x 80 | 35 x 105 | - | - | 65 x 105 |
| | 35 x 80 | - | - | - | - |
| 1500 | 35 x 80 | 35 x 105 | 50 x 105 | 50 x 105 | 65 x 105 |
| | 35 x 105 | 50 x 80 | - | 65 x 105 | 76 x 105 |
| 2200 | 35 x 105 | 50 x 80 | 65 x 105 | 65 x 105 | 76 x 105 |
| | 50 x 80 | 35 x 105 | - | 76 x 105 | 76 x 146 |
| 3300 | 50 x 80 | 50 x 105 | - | 76 x 105 | 76 x 146 |
| | 50 x 105 | 65 x 105 | - | 76 x 146 | - |

| SELECTION CHART FOR C_R, U_R, AND RELEVANT NOMINAL CASE SIZES ($\varnothing D \times L$ in mm) | | | | | |
|--|-----------|----------|----------|----------|----------|
| C_R (μF) | U_R (V) | | | | |
| | 200 | 250 | 350 | 400 | 450 |
| 4700 | 50 x 105 | 65 x 105 | - | 76 x 146 | 76 x 220 |
| | 65 x 105 | 76 x 105 | 76 x 146 | - | 90 x 146 |
| 6800 | 65 x 105 | 76 x 105 | 76 x 146 | 76 x 220 | 90 x 220 |
| | 76 x 105 | 76 x 146 | - | 90 x 146 | - |
| 10 000 | 76 x 105 | 76 x 146 | 76 x 220 | 90 x 220 | - |
| | 76 x 146 | - | 90 x 146 | - | - |
| 15 000 | 76 x 146 | 76 x 220 | 90 x 220 | - | - |
| | - | 90 x 146 | - | - | - |
| 22 000 | 76 x 220 | 90 x 220 | - | - | - |
| | 90 x 146 | - | - | - | - |
| 33 000 | 90 x 220 | - | - | - | - |

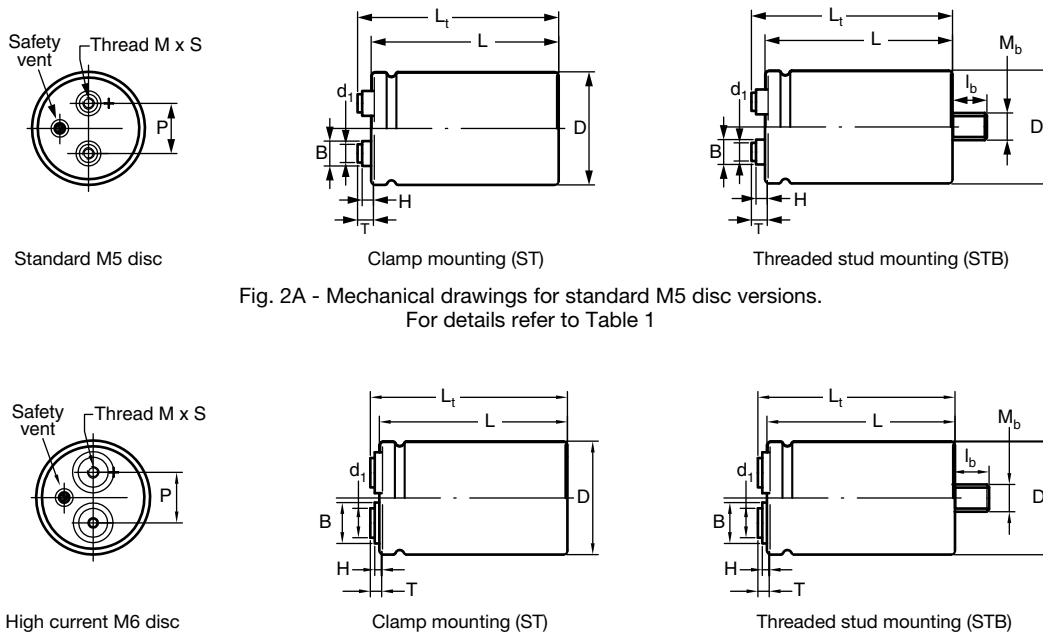
DIMENSIONS in millimeters AND AVAILABLE FORMS


Fig. 2A - Mechanical drawings for standard M5 disc versions.
For details refer to Table 1

Fig. 2B - Mechanical drawings for high current M6 disc versions.
For details refer to Table 1

Notes

- Maximum permissible torque which may be applied to the termination screws: 2 Nm for M5; 2.5 Nm for M6
For accessories refer to document "Mounting Accessories", see www.vishay.com/doc?28348
The capacitors are delivered with screws and washers
- High current disc with 1/4 28 UNF (US) thread is available on request



Table 1

| DIMENSIONS in millimeters AND MASS | | | | | | | | | | | | | | |
|------------------------------------|---------|-------|--------------------|-------|---------|---------|---------|---------|----------|----|-------|----------------|----------------------|----------|
| DESIGN | DRAWING | L ± 1 | L _t ± 1 | D ± 1 | P ± 0.3 | T ± 0.2 | H ± 0.3 | B ± 0.3 | D1 ± 0.1 | M | S - 0 | M _b | I _b ± 0.1 | MASS (g) |
| 35 x 60 | 2A | 63.3 | 68.7 | 35.3 | 12.8 | 7.0 | 4.6 | 11.0 | 7.9 | M5 | 9.5 | M8 | 12.0 | 75 |
| 35 x 80 | 2A | 81.3 | 86.7 | 35.3 | 12.8 | 7.0 | 4.6 | 11.0 | 7.9 | M5 | 9.5 | M8 | 12.0 | 95 |
| 35 x 105 | 2A | 103.3 | 108.7 | 35.3 | 12.8 | 7.0 | 4.6 | 11.0 | 7.9 | M5 | 9.5 | M8 | 12.0 | 130 |
| 50 x 80 | 2A | 82.8 | 88.8 | 51.0 | 22.2 | 7.1 | 4.8 | 11.0 | 7.9 | M5 | 9.5 | M12 | 16.0 | 200 |
| 50 x 105 | 2A | 104.8 | 110.8 | 51.0 | 22.2 | 7.1 | 4.8 | 11.0 | 7.9 | M5 | 9.5 | M12 | 16.0 | 300 |
| 65 x 105 | 2A | 104.8 | 110.7 | 65.0 | 28.5 | 7.0 | 4.6 | 11.9 | 7.9 | M5 | 9.5 | M12 | 16.0 | 480 |
| 65 x 105 HC | 2B | 104.8 | 109.2 | 65.0 | 28.5 | 5.5 | 3.5 | 18.0 | 13.0 | M6 | 8.5 | M12 | 16.0 | 480 |
| 76 x 105 | 2A | 105.8 | 111.7 | 76.4 | 31.8 | 7.0 | 4.6 | 11.7 | 7.9 | M5 | 9.5 | M12 | 16.0 | 700 |
| 76 x 105 HC | 2B | 105.8 | 110.2 | 76.4 | 31.8 | 5.5 | 3.5 | 18.3 | 13.0 | M6 | 8.5 | M12 | 16.0 | 700 |
| 76 x 146 | 2A | 145.8 | 151.7 | 76.4 | 31.8 | 7.0 | 4.6 | 11.7 | 7.9 | M5 | 9.5 | M12 | 16.0 | 1000 |
| 76 x 146 HC | 2B | 145.8 | 150.2 | 76.4 | 31.8 | 5.5 | 3.5 | 18.3 | 13.0 | M6 | 8.5 | M12 | 16.0 | 1000 |
| 76 x 220 | 2A | 219.8 | 225.7 | 76.4 | 31.8 | 7.0 | 4.6 | 11.7 | 7.9 | M5 | 9.5 | M12 | 16.0 | 1500 |
| 76 x 220 HC | 2B | 219.8 | 224.2 | 76.4 | 31.8 | 5.5 | 3.5 | 18.3 | 13.0 | M6 | 8.5 | M12 | 16.0 | 1500 |
| 90 x 146 HC | 2B | 150.1 | 155.4 | 89.4 | 31.8 | 7.9 | 0.0 | 13.0 | 13.0 | M6 | 10.0 | M12 | 16.0 | 1300 |
| 90 x 220 HC | 2B | 218.1 | 223.4 | 89.4 | 31.8 | 7.9 | 0.0 | 13.0 | 13.0 | M6 | 10.0 | M12 | 16.0 | 2000 |

| PACKAGING QUANTITIES AND DIMENSIONS in millimeters | | |
|--|---|---------------------------------------|
| DESIGN | PACKAGING QUANTITIES (units per box) | CARDBOARD BOX DIMENSIONS L x W x H |
| 35 x 60 | 50 | 377 x 375 x 88 |
| 35 x 80 | 50 | 377 x 375 x 123 |
| 35 x 105 | 50 | 377 x 375 x 129 |
| 50 x 80 | 25 | 377 x 375 x 123 |
| 50 x 105 | 25 | 377 x 375 x 129 |
| 65 x 105 | 16 | 377 x 375 x 129 |
| 65 x 105 HC | 16 | 377 x 375 x 129 |
| 76 x 105 | 12 | 377 x 375 x 129 |
| 76 x 105 HC | 12 | 377 x 375 x 129 |
| 76 x 146 | 12 | 377 x 375 x 168 |
| 76 x 146 HC | 12 | 377 x 375 x 168 |
| 76 x 220 | 12 | 377 x 375 x 242 |
| 76 x 220 HC | 12 | 377 x 375 x 242 |
| 90 x 146 HC | 8 | 377 x 375 x 168 |
| 90 x 220 HC | 8 | 377 x 375 x 242 |

Note

- For STB version holds:
H of carbox box: + 10 mm

| ELECTRICAL DATA | |
|-----------------|--|
| SYMBOL | DESCRIPTION |
| C _R | Rated capacitance at 100 Hz, tolerance ± 20 % |
| I _R | Rated RMS ripple current at 100 Hz, 105 °C |
| I _{L5} | Max. leakage current after 5 min at U _R |
| ESR | Max. equivalent series resistance at 100 Hz |
| Z | Impedance at 20 kHz |

Note

- Unless otherwise specified, all electrical values in Table 2 apply at T_{amb} = 20 °C, P = 86 kPa to 106 kPa, RH = 45 % to 75 %

ORDERING EXAMPLE

Electrolytic capacitor 104 PHL-ST series

4700 µF / 250 V; ± 20 %

Nominal case size: Ø 65 mm x 105 mm; ST version

Ordering code: MAL2 104 13472 E3

Former 12NC: 2222 104 13472



Table 2

| ELECTRICAL DATA AND ORDERING INFORMATION | | | | | | | | | | |
|--|----------------------------------|--|---|----------------------------------|-------------------------------|-----------------------------|--|---|-------------------------------------|---|
| U _R (V) | C _R 100 Hz (μF) | NOMINAL CASE SIZE Ø D x L (mm) | I _R 100 Hz 105 °C (A) | I _{L5} 5 MIN (mA) | ESR MAX. 100 Hz (mΩ) | Z MAX. 20 kHz (mΩ) | STANDARD M5 DISC | | HIGH CURRENT M6 DISC | |
| | | | | | | | ST ORDERING CODE MAL2104..... | STB ORDERING CODE MAL2104..... | ST ORDERING CODE MAL2104..... | STB ORDERING CODE MAL2104..... |
| 200 | 680 | 35 x 60 | 2.9 | 0.28 | 197 | 117 | 12681E3 | 52681E3 | - | - |
| | 1000 | 35 x 60 | 3.3 | 0.40 | 148 | 94 | 12102E3 | 52102E3 | - | - |
| | 1000 | 35 x 80 | 3.7 | 0.40 | 137 | 83 | 22102E3 | 62102E3 | - | - |
| | 1500 | 35 x 80 | 4.1 | 0.60 | 102 | 66 | 12152E3 | 52152E3 | - | - |
| | 1500 | 35 x 105 | 4.6 | 0.60 | 95 | 59 | 22152E3 | 62152E3 | - | - |
| | 2200 | 35 x 105 | 5.0 | 0.88 | 74 | 49 | 12222E3 | 52222E3 | - | - |
| | 2200 | 50 x 80 | 6.7 | 0.88 | 63 | 39 | 22222E3 | 62222E3 | - | - |
| | 3300 | 50 x 80 | 8.2 | 1.32 | 42 | 26 | 12332E3 | 52332E3 | - | - |
| | 3300 | 50 x 105 | 8.2 | 1.32 | 44 | 28 | 22332E3 | 62332E3 | - | - |
| | 4700 | 50 x 105 | 9.9 | 1.88 | 31 | 19 | 12472E3 | 52472E3 | - | - |
| | 4700 | 65 x 105 | 11.6 | 1.88 | 31 | 19 | 22472E3 | 62472E3 | 42472E3 | 82472E3 |
| | 6800 | 65 x 105 | 13.7 | 2.72 | 22 | 14 | 12682E3 | 52682E3 | 32682E3 | 72682E3 |
| | 6800 | 76 x 105 | 15.2 | 2.72 | 22 | 14 | 22682E3 | 62682E3 | 42682E3 | 82682E3 |
| | 10 000 | 76 x 105 | 16.4 | 4.0 | 17 | 12 | 12103E3 | 52103E3 | 32103E3 | 72103E3 |
| | 10 000 | 76 x 146 | 16.9 | 4.0 | 17 | 12 | 22103E3 | 62103E3 | 42103E3 | 82103E3 |
| | 15 000 | 76 x 146 | 19.9 | 6.0 | 12 | 9 | 12153E3 | 52153E3 | 32153E3 | 72153E3 |
| | 22 000 | 76 x 220 | 24.6 | 8.8 | 9 | 7 | 12223E3 | 52223E3 | 32223E3 | 72223E3 |
| 22 000 | 90 x 146 | 28.5 | 8.8 | 8 | 6 | - | - | 42223E3 | 82223E3 | |
| 33 000 | 90 x 220 | 34.8 | 13.2 | 5 | 5 | - | - | 42333E3 | 82333E3 | |
| 250 | 680 | 35 x 60 | 2.9 | 0.34 | 176 | 99 | 13681E3 | 53681E3 | - | - |
| | 1000 | 35 x 80 | 3.7 | 0.50 | 123 | 70 | 13102E3 | 53102E3 | - | - |
| | 1000 | 35 x 105 | 4.0 | 0.50 | 116 | 63 | 23102E3 | 63102E3 | - | - |
| | 1500 | 35 x 105 | 4.5 | 0.75 | 86 | 51 | 13152E3 | 53152E3 | - | - |
| | 1500 | 50 x 80 | 5.9 | 0.75 | 76 | 41 | 23152E3 | 63152E3 | - | - |
| | 2200 | 50 x 80 | 6.6 | 1.10 | 58 | 34 | 13222E3 | 53222E3 | - | - |
| | 2200 | 50 x 105 | 7.3 | 1.10 | 54 | 30 | 23222E3 | 63222E3 | - | - |
| | 3300 | 50 x 105 | 8.9 | 1.65 | 36 | 20 | 13332E3 | 53332E3 | - | - |
| | 3300 | 65 x 105 | 10.4 | 1.65 | 36 | 20 | 23332E3 | 63332E3 | 43332E3 | 83332E3 |
| | 4700 | 65 x 105 | 11.4 | 2.35 | 28 | 17 | 13472E3 | 53472E3 | 33472E3 | 73472E3 |
| | 4700 | 76 x 105 | 12.7 | 2.35 | 28 | 17 | 23472E3 | 63472E3 | 43472E3 | 83472E3 |
| | 6800 | 76 x 105 | 15.0 | 3.40 | 20 | 12 | 13682E3 | 53682E3 | 33682E3 | 73682E3 |
| | 6800 | 76 x 146 | 15.4 | 3.40 | 20 | 12 | 23682E3 | 63682E3 | 43682E3 | 83682E3 |
| | 10 000 | 76 x 146 | 18.2 | 5.0 | 14 | 9 | 13103E3 | 53103E3 | 33103E3 | 73103E3 |
| | 15 000 | 76 x 220 | 22.7 | 7.5 | 10 | 7 | 13153E3 | 53153E3 | 33153E3 | 73153E3 |
| 15 000 | 90 x 146 | 25.8 | 7.5 | 9 | 6 | - | - | 43153E3 | 83153E3 | |
| 22 000 | 90 x 220 | 30.4 | 11.0 | 7 | 5 | - | - | 43223E3 | 83223E3 | |
| 350 | 330 | 35 x 60 | 2.1 | 0.26 | 396 | 243 | 15331E3 | 55331E3 | - | - |
| | 470 | 35 x 80 | 2.6 | 0.33 | 280 | 172 | 15471E3 | 55471E3 | - | - |
| | 680 | 35 x 105 | 3.2 | 0.48 | 197 | 122 | 15681E3 | 55681E3 | - | - |
| | 1000 | 50 x 80 | 4.7 | 0.70 | 132 | 82 | 15102E3 | 55102E3 | - | - |
| | 1500 | 50 x 105 | 5.9 | 1.05 | 90 | 57 | 15152E3 | 55152E3 | - | - |
| | 2200 | 65 x 105 | 8.4 | 1.54 | 61 | 38 | 15222E3 | 55222E3 | 35222E3 | 75222E3 |
| | 3300 | 65 x 105 | 10.1 | 2.31 | 42 | 26 | 15332E3 | 55332E3 | 35332E3 | 75332E3 |
| | 3300 | 76 x 105 | 11.2 | 2.31 | 42 | 26 | 25332E3 | 65332E3 | 45332E3 | 85332E3 |
| | 4700 | 76 x 105 | 12.6 | 3.29 | 32 | 21 | 15472E3 | 55472E3 | 35472E3 | 75472E3 |
| | 4700 | 76 x 146 | 13.7 | 3.29 | 30 | 19 | 25472E3 | 65472E3 | 45472E3 | 85472E3 |
| | 6800 | 76 x 146 | 15.4 | 4.76 | 22 | 15 | 15682E3 | 55682E3 | 35682E3 | 75682E3 |
| | 10 000 | 76 x 220 | 18.5 | 7.0 | 20 | 18 | 15103E3 | 55103E3 | 35103E3 | 75103E3 |
| | 10 000 | 90 x 146 | 20.5 | 7.0 | 19 | 17 | - | - | 45103E3 | 85103E3 |
| | 15 000 | 90 x 220 | 25.6 | 10.5 | 13 | 12 | - | - | 45153E3 | 85153E3 |



| ELECTRICAL DATA AND ORDERING INFORMATION | | | | | | | | | | |
|--|----------------------------------|--|---|----------------------------------|-------------------------------|-----------------------------|--|---|-------------------------------------|---|
| U _R (V) | C _R 100 Hz (μF) | NOMINAL CASE SIZE Ø D x L (mm) | I _R 100 Hz 105 °C (A) | I _{L5} 5 MIN (mA) | ESR MAX. 100 Hz (mΩ) | Z MAX. 20 kHz (mΩ) | STANDARD M5 DISC | | HIGH CURRENT M6 DISC | |
| | | | | | | | ST ORDERING CODE MAL2104..... | STB ORDERING CODE MAL2104..... | ST ORDERING CODE MAL2104..... | STB ORDERING CODE MAL2104..... |
| 400 | 220 | 35 x 60 | 1.8 | 0.18 | 519 | 290 | 16221E3 | 56221E3 | - | - |
| | 330 | 35 x 80 | 2.3 | 0.27 | 349 | 196 | 16331E3 | 56331E3 | - | - |
| | 470 | 35 x 80 | 2.6 | 0.38 | 254 | 148 | 16471E3 | 56471E3 | - | - |
| | 680 | 50 x 80 | 4.1 | 0.55 | 170 | 96 | 26681E3 | 66681E3 | - | - |
| | 1000 | 50 x 105 | 5.1 | 0.80 | 117 | 67 | 16102E3 | 56102E3 | - | - |
| | 1500 | 50 x 105 | 6.0 | 1.20 | 83 | 49 | 16152E3 | 56152E3 | - | - |
| | 1500 | 65 x 105 | 6.9 | 1.20 | 83 | 49 | 26152E3 | 66152E3 | 46152E3 | 86152E3 |
| | 2200 | 65 x 105 | 8.4 | 1.76 | 56 | 33 | 16222E3 | 56222E3 | 36222E3 | 76222E3 |
| | 2200 | 76 x 105 | 9.4 | 1.76 | 56 | 33 | 26222E3 | 66222E3 | 46222E3 | 86222E3 |
| | 3300 | 76 x 105 | 11.3 | 2.64 | 38 | 23 | 16332E3 | 56332E3 | 36332E3 | 76332E3 |
| | 3300 | 76 x 146 | 11.6 | 2.64 | 38 | 23 | 26332E3 | 66332E3 | 46332E3 | 86332E3 |
| | 4700 | 76 x 146 | 13.8 | 3.76 | 27 | 17 | 16472E3 | 56472E3 | 36472E3 | 76472E3 |
| | 6800 | 76 x 220 | 16.5 | 5.4 | 25 | 20 | 16682E3 | 56682E3 | 36682E3 | 76682E3 |
| | 6800 | 90 x 146 | 17.7 | 5.4 | 25 | 20 | - | - | 46682E3 | 86682E3 |
| | 10 000 | 90 x 220 | 22.1 | 8.0 | 17 | 14 | - | - | 46103E3 | 86103E3 |
| 450 | 150 | 35 x 60 | 1.5 | 0.14 | 735 | 404 | 17151E3 | 57151E3 | - | - |
| | 220 | 35 x 80 | 1.9 | 0.20 | 503 | 278 | 17221E3 | 57221E3 | - | - |
| | 330 | 35 x 105 | 2.4 | 0.30 | 339 | 189 | 17331E3 | 57331E3 | - | - |
| | 470 | 50 x 80 | 3.3 | 0.43 | 253 | 148 | 17471E3 | 57471E3 | - | - |
| | 680 | 50 x 105 | 4.3 | 0.62 | 165 | 92 | 17681E3 | 57681E3 | - | - |
| | 1000 | 50 x 105 | 5.1 | 0.90 | 117 | 67 | 17102E3 | 57102E3 | - | - |
| | 1000 | 65 x 105 | 5.9 | 0.90 | 116 | 66 | 27102E3 | 67102E3 | 47102E3 | 87102E3 |
| | 1500 | 65 x 105 | 7.3 | 1.35 | 77 | 44 | 17152E3 | 57152E3 | 37152E3 | 77152E3 |
| | 1500 | 76 x 105 | 8.1 | 1.35 | 77 | 44 | 27152E3 | 67152E3 | 47152E3 | 87152E3 |
| | 2200 | 76 x 105 | 9.7 | 1.98 | 53 | 31 | 17222E3 | 57222E3 | 37222E3 | 77222E3 |
| | 2200 | 76 x 146 | 10.0 | 1.98 | 53 | 31 | 27222E3 | 67222E3 | 47222E3 | 87222E3 |
| | 3300 | 76 x 146 | 12.1 | 2.97 | 36 | 21 | 17332E3 | 57332E3 | 37332E3 | 77332E3 |
| | 4700 | 76 x 220 | 14.1 | 4.2 | 33 | 25 | 17472E3 | 57472E3 | 37472E3 | 77472E3 |
| | 4700 | 90 x 146 | 15.3 | 4.2 | 31 | 24 | - | - | 47472E3 | 87472E3 |
| 6800 | 90 x 220 | 18.9 | 6.1 | 22 | 17 | - | - | 47682E3 | 87682E3 | |

| ADDITIONAL ELECTRICAL DATA | | |
|------------------------------------|-------------------------------|--|
| PARAMETER | CONDITIONS | VALUE |
| Voltage | | |
| Surge voltage | ≤ 250 V versions | U _s = 1.15 x U _R |
| | ≥ 350 V versions | U _s = 1.1 x U _R |
| Reverse voltage | | U _{rev} ≤ 1 V |
| Current | | |
| Leakage current | After 1 min at U _R | I _{L1} ≤ 0.006 C _R x U _R + 4 μA |
| | After 5 min at U _R | I _{L5} ≤ 0.002 C _R x U _R + 4 μA |
| Inductance | | |
| Equivalent series inductance (ESL) | Case Ø D = 35 mm | Typ. 13 nH |
| | Case Ø D = 50 mm | Typ. 16 nH |
| | Case Ø D = 65 mm | Typ. 19 nH ⁽¹⁾ |
| | Case Ø D = 76 mm | Typ. 20 nH ⁽¹⁾ |
| | Case Ø D = 90 mm | Typ. 21 nH ⁽¹⁾ |

Note

⁽¹⁾ Low ESL designs available on request

RIPPLE CURRENT AND USEFUL LIFE

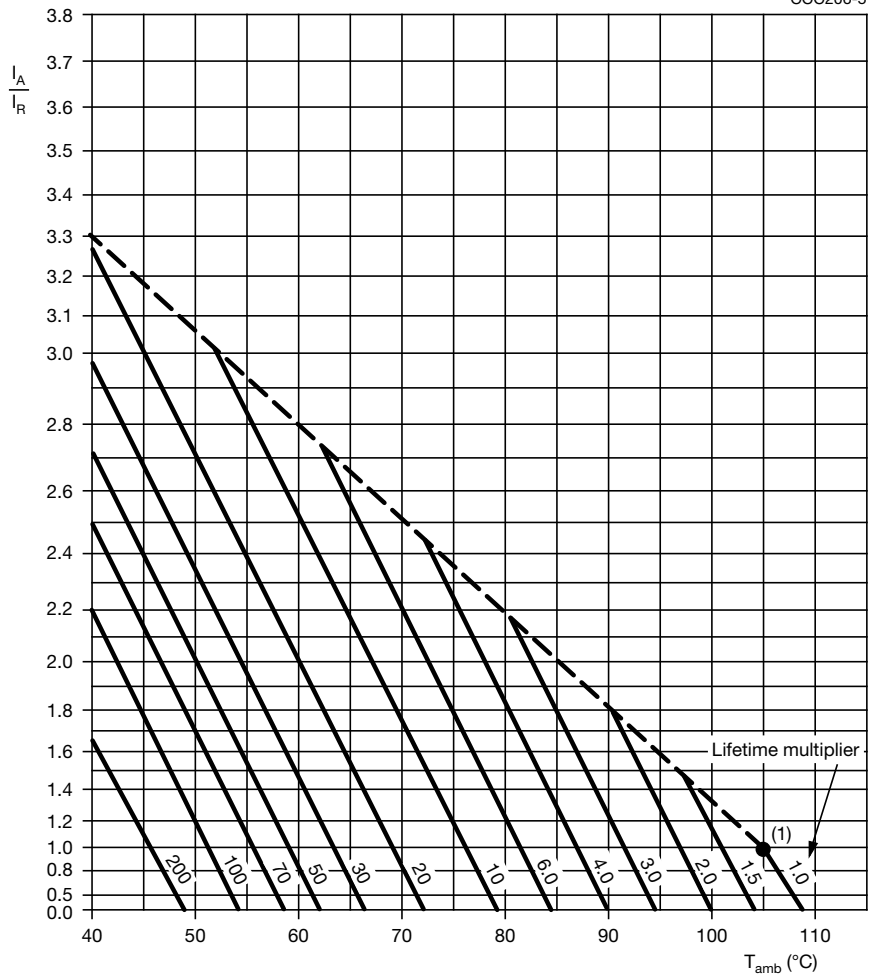
Table 3

| ENDURANCE TEST DURATION AND USEFUL LIFE | |
|---|---------------------------|
| ENDURANCE AT 105 °C (h) | USEFUL LIFE AT 105 °C (h) |
| 2000 | 5000 |

Note

- Multiplier of useful life code: CCC206-5

CCC206-5



I_A = Actual ripple current at 100 Hz
 I_R = Actual ripple current at 100 Hz and 105 °C
 With an absolute maximum of 50 A at 105 °C

(1) Useful life at 105 °C and I_R applied: 5000 h

Fig. 3 - Multiplier of useful life as a function of ambient temperature and ripple current load

Table 4

| MULTIPLIER OF RIPPLE CURRENT (I_R) AS A FUNCTION OF FREQUENCY | | | | | |
|---|------|------|------|------|--------|
| FREQUENCY (Hz) | | | | | |
| 50 | 100 | 200 | 400 | 1000 | 10 000 |
| I_R MULTIPLIER | | | | | |
| 0.90 | 1.00 | 1.20 | 1.30 | 1.40 | 1.50 |



Table 5

| TEST PROCEDURES AND REQUIREMENTS | | | |
|--|--|---|---|
| TEST | | PROCEDURE (quick reference) | REQUIREMENTS |
| NAME OF TEST | REFERENCE | | |
| Endurance | IEC 60384-4 / EN 130300 subclause 4.13 | $T_{amb} = 105\text{ }^{\circ}\text{C}$; U_R applied; 2000 h | $\Delta C/C: \pm 10\%$ $ESR \leq 1.3 \times \text{spec. limit}$ $Z \leq 2 \times \text{spec. limit}$ $I_{L5} \leq \text{spec. limit}$ |
| Useful life | CECC 30301 subclause 4.13 | $T_{amb} = 105\text{ }^{\circ}\text{C}$; U_R and I_R applied; 5000 h | $\Delta C/C: \pm 30\%$ $ESR \leq 3 \times \text{spec. limit}$ $Z \leq 3 \times \text{spec. limit}$ $I_{L5} \leq \text{spec. limit}$ no short or open circuit, no visible damage total failure percentage $\leq 3\%$ |
| Shelf life (storage at high temperature) | IEC 60384-4 / EN 130300 subclause 4.17 | $T_{amb} = 105\text{ }^{\circ}\text{C}$; no voltage applied; 1000 h after test: U_R to be applied for 30 min, 24 h to 48 h before measurement | $\Delta C/C: \pm 10\%$ $ESR \leq 1.2 \times \text{spec. limit}$ $I_{L5} \leq 2 \times \text{spec. limit}$ |

Statements about product lifetime are based on calculations and internal testing. They should only be interpreted as estimations. Also due to external factors, the lifetime in the field application may deviate from the calculated lifetime. In general, nothing stated herein shall be construed as a guarantee of durability.



Disclaimer

ALL PRODUCT, PRODUCT SPECIFICATIONS AND DATA ARE SUBJECT TO CHANGE WITHOUT NOTICE TO IMPROVE RELIABILITY, FUNCTION OR DESIGN OR OTHERWISE.

Vishay Intertechnology, Inc., its affiliates, agents, and employees, and all persons acting on its or their behalf (collectively, "Vishay"), disclaim any and all liability for any errors, inaccuracies or incompleteness contained in any datasheet or in any other disclosure relating to any product.

Vishay makes no warranty, representation or guarantee regarding the suitability of the products for any particular purpose or the continuing production of any product. To the maximum extent permitted by applicable law, Vishay disclaims (i) any and all liability arising out of the application or use of any product, (ii) any and all liability, including without limitation special, consequential or incidental damages, and (iii) any and all implied warranties, including warranties of fitness for particular purpose, non-infringement and merchantability.

Statements regarding the suitability of products for certain types of applications are based on Vishay's knowledge of typical requirements that are often placed on Vishay products in generic applications. Such statements are not binding statements about the suitability of products for a particular application. It is the customer's responsibility to validate that a particular product with the properties described in the product specification is suitable for use in a particular application. Parameters provided in datasheets and / or specifications may vary in different applications and performance may vary over time. All operating parameters, including typical parameters, must be validated for each customer application by the customer's technical experts. Product specifications do not expand or otherwise modify Vishay's terms and conditions of purchase, including but not limited to the warranty expressed therein.

Except as expressly indicated in writing, Vishay products are not designed for use in medical, life-saving, or life-sustaining applications or for any other application in which the failure of the Vishay product could result in personal injury or death. Customers using or selling Vishay products not expressly indicated for use in such applications do so at their own risk. Please contact authorized Vishay personnel to obtain written terms and conditions regarding products designed for such applications.

No license, express or implied, by estoppel or otherwise, to any intellectual property rights is granted by this document or by any conduct of Vishay. Product names and markings noted herein may be trademarks of their respective owners.

Компания «Океан Электроники» предлагает заключение долгосрочных отношений при поставках импортных электронных компонентов на взаимовыгодных условиях!

Наши преимущества:

- Поставка оригинальных импортных электронных компонентов напрямую с производств Америки, Европы и Азии, а так же с крупнейших складов мира;
- Широкая линейка поставок активных и пассивных импортных электронных компонентов (более 30 млн. наименований);
- Поставка сложных, дефицитных, либо снятых с производства позиций;
- Оперативные сроки поставки под заказ (от 5 рабочих дней);
- Экспресс доставка в любую точку России;
- Помощь Конструкторского Отдела и консультации квалифицированных инженеров;
- Техническая поддержка проекта, помощь в подборе аналогов, поставка прототипов;
- Поставка электронных компонентов под контролем ВП;
- Система менеджмента качества сертифицирована по Международному стандарту ISO 9001;
- При необходимости вся продукция военного и аэрокосмического назначения проходит испытания и сертификацию в лаборатории (по согласованию с заказчиком);
- Поставка специализированных компонентов военного и аэрокосмического уровня качества (Xilinx, Altera, Analog Devices, Intersil, Interpoint, Microsemi, Actel, Aeroflex, Peregrine, VPT, Syfer, Eurofarad, Texas Instruments, MS Kennedy, Miteq, Cobham, E2V, MA-COM, Hittite, Mini-Circuits, General Dynamics и др.);

Компания «Океан Электроники» является официальным дистрибьютором и эксклюзивным представителем в России одного из крупнейших производителей разъемов военного и аэрокосмического назначения «JONHON», а так же официальным дистрибьютором и эксклюзивным представителем в России производителя высокотехнологичных и надежных решений для передачи СВЧ сигналов «FORSTAR».



JONHON

«JONHON» (основан в 1970 г.)

Разъемы специального, военного и аэрокосмического назначения:

(Применяются в военной, авиационной, аэрокосмической, морской, железнодорожной, горно- и нефтедобывающей отраслях промышленности)

«FORSTAR» (основан в 1998 г.)

ВЧ соединители, коаксиальные кабели, кабельные сборки и микроволновые компоненты:

(Применяются в телекоммуникациях гражданского и специального назначения, в средствах связи, РЛС, а так же военной, авиационной и аэрокосмической отраслях промышленности).



Телефон: 8 (812) 309-75-97 (многоканальный)

Факс: 8 (812) 320-03-32

Электронная почта: ocean@oceanchips.ru

Web: <http://oceanchips.ru/>

Адрес: 198099, г. Санкт-Петербург, ул. Калинина, д. 2, корп. 4, лит. А