

NLAS3899B

Dual DPDT Low R_{ON} , Low Capacitance Switch

The NLAS3899B is a dual DPDT analog switch designed for low power audio and dual SIM card applications. The low R_{ON} of $3.0\ \Omega$ (typical) is ideal for routing audio signals to or from a moderately high impedance load. In addition, the low C_{ON} of $20\ \text{pF}$ (typical) gives the NLAS3899B a high bandwidth of $280\ \text{MHz}$, perfect for dual SIM card applications.

Features

- Single Supply Operation
1.65 to 4.3 V V_{CC}
Function Directly from Li-Ion Battery
- Low ON Resistance ($3.0\ \Omega$ Typical Across V_{CC})
- Low C_{ON} ($20\ \text{pF}$ Typical)
- Bandwidth $280\ \text{MHz}$
- Maximum Breakdown Voltage: $5.5\ \text{V}$
- Low Static Power
- Interfaces with $1.8\ \text{V}$ Chipset
- These are Pb-Free Devices

Typical Applications

- Cell Phone Speaker/Microphone Switching
- Ringtone-Chip/Amplifier Switching
- Dual SIM Card Data Switching
- Four Unbalanced (Single-Ended) Switches

Important Information

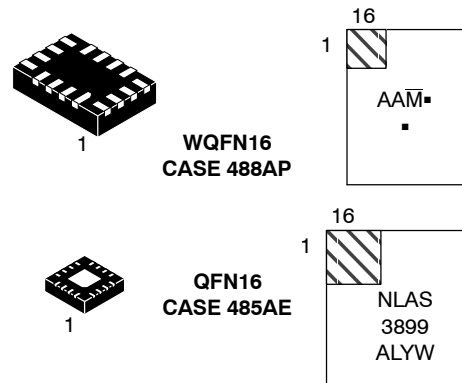
- ESD Protection:
Human Body Model (HBM) $1000\ \text{V}$ – All Pins
 $5000\ \text{V}$ – I/O to GND
- Continuous Current Rating Through each Switch $\pm 300\ \text{mA}$
- Conforms to: JEDEC MO-220, Issue H, Variation VEED-6
- Package:
 - ♦ $1.8\ \text{x}\ 2.6\ \text{x}\ 0.75\ \text{mm}$ WQFN16 Pb-Free
 - ♦ $3.0\ \text{x}\ 3.0\ \text{x}\ 0.9\ \text{mm}$ QFN16 Pb-Free



ON Semiconductor®

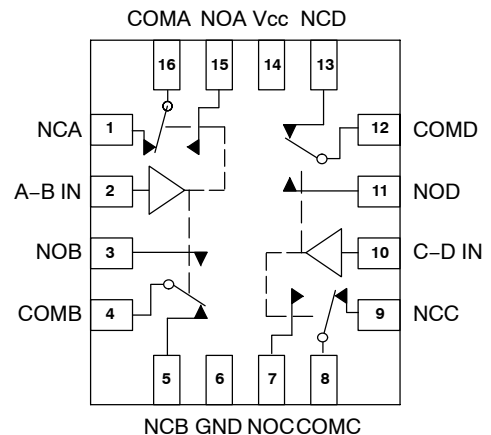
<http://onsemi.com>

MARKING DIAGRAMS



XX = Specific Device Code
 A = Assembly Location
 M = Date Code/Assembly Location
 L = Wafer Lot
 Y = Year
 W = Work Week
 ■ = Pb-Free Package

(Note: Microdot may be in either location)



ORDERING INFORMATION

See detailed ordering and shipping information in the package dimensions section on page 8 of this data sheet.

NLAS3899B

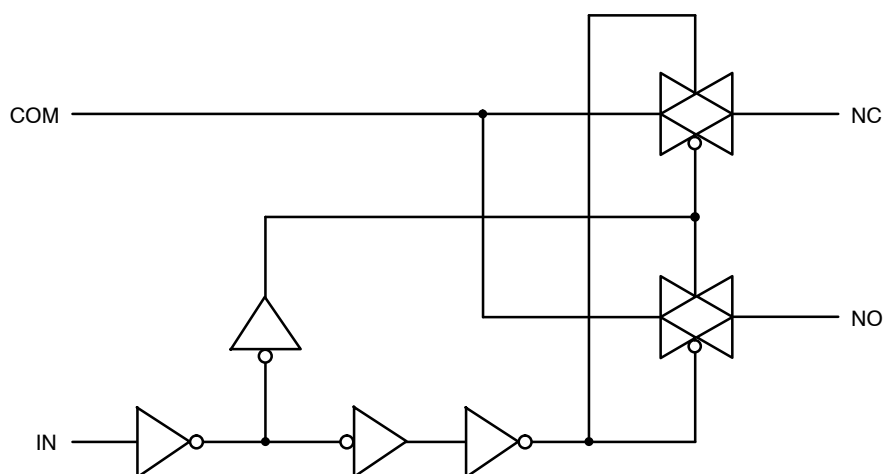


Figure 1. Input Equivalent Circuit

PIN DESCRIPTION

QFN PIN #	Symbol	Name and Function
1, 3, 5, 7, 9, 11, 13, 15	NO A-D, NC A-D	Independent Channels
2, 10	A-B IN, C-D IN	Controls
4, 8, 12, 16	COM A-D	Common Channels
6	GND	Ground (V)
14	V _{CC}	Positive Supply Voltage

TRUTH TABLE

IN	NO	NC
H	ON	OFF*
L	OFF*	ON

*High impedance.

OPERATING CONDITIONS

MAXIMUM RATINGS

Symbol	Pins	Parameter	Value	Condition	Unit
V _{CC}	V _{CC}	Positive DC Supply Voltage	-0.5 to +5.5		V
V _{IS}	NO _x , NC _x , or COM _x	Analog Signal Voltage	-0.5 to V _{CC} + 0.5		V
V _{IN}	A-B IN, C-D IN	Control Input Voltage	-0.5 to 5.5		V
I _{IS_CON}	NO _x , NC _x , or COM _x	Analog Signal Continuous Current	±300	Closed Switch	mA
I _{IS_PK}	NO _x , NC _x , or COM _x	Analog Signal Peak Current	±500	10% Duty Cycle	mA
I _{IN}	A-B IN, C-D IN	Control Input Current	±20		mA
T _{STG}		Storage Temperature Range	-65 to 150		°C

Stresses exceeding Maximum Ratings may damage the device. Maximum Ratings are stress ratings only. Functional operation above the Recommended Operating Conditions is not implied. Extended exposure to stresses above the Recommended Operating Conditions may affect device reliability.

NLAS3899B

RECOMMENDED OPERATING CONDITIONS

Symbol	Pins	Parameter	Value	Condition	Unit
V_{CC}	V_{CC}	Positive DC Supply Voltage	1.65 to 4.3		V
V_{IS}	NOx, NCx, or COMx	Analog Signal Voltage	GND to V_{CC}		V
V_{IN}	A-B IN, C-D IN	Control Input Voltage	GND to 4.3		V
T_A		Operating Temperature Range	-40 to +85		°C
t_r, t_f		Input Rise or Fall Time	20	$V_{CC} = 1.6\text{ V} - 2.7\text{ V}$	ns/V
			10	$V_{CC} = 3.0\text{ V} - 4.5\text{ V}$	

Minimum and maximum values are guaranteed through test or design across the **Recommended Operating Conditions**, where applicable. Typical values are listed for guidance only and are based on the particular conditions listed for each section, where applicable. These conditions are valid for all values found in the characteristics tables unless otherwise specified in the test conditions.

ESD PROTECTION

Pins	Description	Minimum Voltage
All Pins	Human Body Model	1 kV
I/O to GND	Human Body Model	5 kV

NLAS3899B

DC Electrical Characteristics

Typical: T = 25°C; V_{CC} = 3.0 V

CONTROL INPUT (Typical: T = 25°C; V_{CC} = 3.0 V)

Symbol	Pins	Parameter	Test Conditions	V _{CC} (V)	-40°C to +85°C			Unit
					Min	Typ	Max	
V _{IH}	A-B IN, C-D IN	Control Input High		3.0 4.3	1.3 1.6			V
V _{IL}	A-B IN, C-D IN	Control Input Low		3.0 4.3			0.5 0.6	V
I _{IN}	A-B IN, C-D IN	Control Input Leakage	0 ≤ V _{IN} ≤ V _{CC}	4.3		±0.1	±1.0	μA

SUPPLY CURRENT AND LEAKAGE (Typical: T = 25°C; V_{CC} = 3.0 V)

Symbol	Pins	Parameter	Test Conditions	V _{CC} (V)	-40°C to +85°C			Unit
					Min	Typ	Max	
I _{NO/NC} (OFF)	NCx, NOx	OFF State Leakage	V _{IN} = V _{IL} or V _{IH} V _{NC/NO} = 0.3 V V _{COM} = 4.0 V	4.3		±10	±300	nA
I _{COM} (ON)	COMx	ON State Leakage	V _{IN} = V _{IL} or V _{IH} V _{NO} = 0.3 V or 4.0 V with V _{NC} floating or V _{NC} = 0.3 V or 4.0 V with V _{NO} floating V _{COM} = 0.3 V or 4.0 V	4.3		±10	±300	nA
I _{CC}	V _{CC}	Quiescent Supply	V _{IN} and V _{IS} = V _{CC} or GND I _D = 0 A	1.65 – 4.3		±1.0	±2.0	μA
I _{OFF}	A-B IN, C-D IN	Power Off Leakage	V _{IN} = 4.3 V or GND	0		±0.5	±2.0	μA

ON RESISTANCE (Typical: T = 25°C; V_{CC} = 3.0 V)

Symbol	Pins	Parameter	Test Conditions	V _{CC} (V)	-40°C to +85°C			Unit
					Min	Typ	Max	
R _{ON}	NOx, NCx COMx	ON Resistance	I _{ON} = -100 mA V _{IS} = 0 to V _{CC}	2.5 3.0 3.6 4.3		3.0 2.6 2.5 2.2	4.0 3.0 3.0 2.5	Ω
R _{FLAT}	NOx, NCx COMx	R _{ON} Flatness	I _{ON} = -100 mA V _{IS} = 0 to V _{CC}	3.0 4.3		0.8 1.1		Ω
ΔR _{ON}	NOx, NCx COMx	R _{ON} Matching	I _{ON} = -100 mA V _{IS} = 0 to V _{CC}	3.0 4.3		0.8 0.7		Ω

NLAS3899B

AC ELECTRICAL CHARACTERISTICS

TIMING/FREQUENCY (Typical: T = 25°C; V_{CC} = 3.0 V, R_L = 50 Ω, C_L = 35 pF, f = 1 MHz)

Symbol	Pins	Parameter	Test Conditions	V _{CC} (V)	-40°C to +85°C			Unit
					Min	Typ	Max	
t _{ON}	IN to NCx or NOx	Turn On Time		2.3 – 4.3		30	40	ns
t _{OFF}	IN to NCx or NOx	Turn Off Time		2.3 – 4.53		20	30	ns
t _{BBM}	IN to NCx or NOx	Break Before Make		3.0	2	15		ns
BW		-3dB Bandwidth	C _L = 5 pF	1.65 – 4.3		280		MHz

ISOLATION AND THD (Typical: T = 25°C; V_{CC} = 3.0 V, R_L = 50 Ω, C_L = 5 pF, f = 1 MHz)

Symbol	Pins	Parameter	Test Conditions	V _{CC} (V)	-40°C to +85°C			Unit
					Min	Typ	Max	
Q		Charge Injection	V _{IN} = V _{CC} to GND R _{IS} = 0 Ω, C _L = 1.0 nF Q = C _L - ΔV _{OUT}	1.65 – 4.3		111		pC
THD		Total Harmonic Distortion	F _{IS} = 20 Hz to 20 kHz R _L = R _{gen} = 600 Ω, C _L = 1.0 pF V _{IS} = 1.0 V _{PP}	3.0		0.007		%
V _{ONL}		Maximum Feed-through On Loss	V _{IN} = 0 dBm @ 100 kHz to 50 MHz V _{IN} centered between V _{CC} & GND	1.65 – 4.3		-0.06		dB
O _{IRR}	NOx	Off Isolation	V _{IN} = 0 V _{NO} or V _{NC} (pk-pk) = 1.0 V	1.65 – 4.3		-67		dB
Xtalk	COMx to COMy	Non-Adjacent Channel	V _{NO} or V _{NC} (pk-pk) = 1.0 V	1.65 – 4.3		-100		dB

CAPACITANCE (Typical: T = 25°C; V_{CC} = 3.0 V, R_L = 50 Ω, C_L = 5 pF, f = 1 MHz)

Symbol	Pins	Parameter	Test Conditions	V _{CC} (V)	-40°C to +85°C			Unit
					Min	Typ	Max	
C _{IN}	A-B IN, C-D IN	Control Input		0 V		5.0		pF
C _{ON}	NCx to COMx	Through Switch	V _{IN} = 0V	3.0 V		20		pF
C _{OFF}	NCx NOx	Unselected Port	V _{IS} = 3.0V, V _{IN} = 3.0V	3.0 V		10		pF

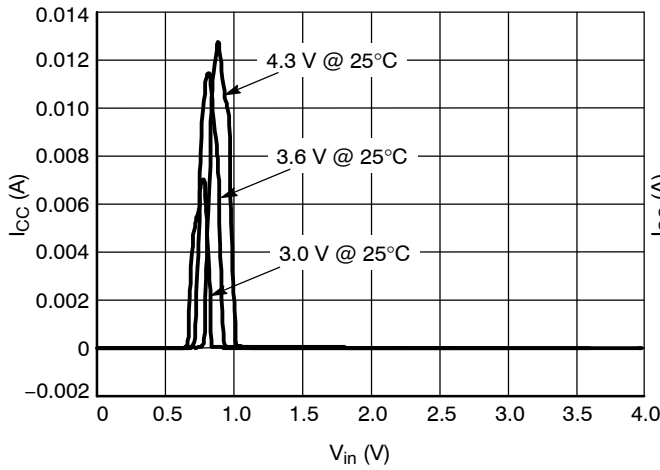


Figure 2. I_{CC} vs. V_{in}

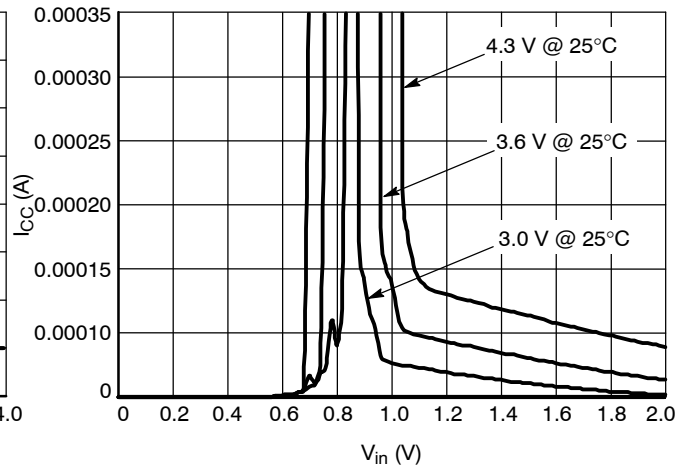


Figure 3. (Expanded View) I_{CC} vs. V_{in}

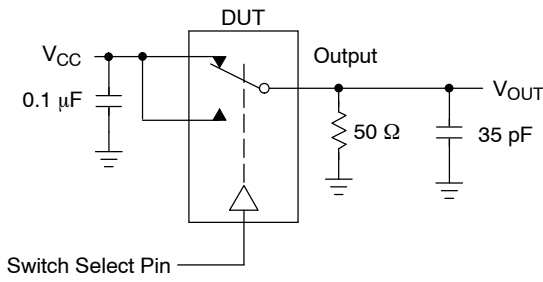


Figure 4. t_{BMM} (Time Break-Before-Make)

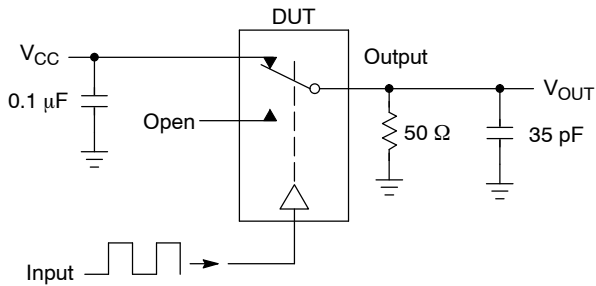
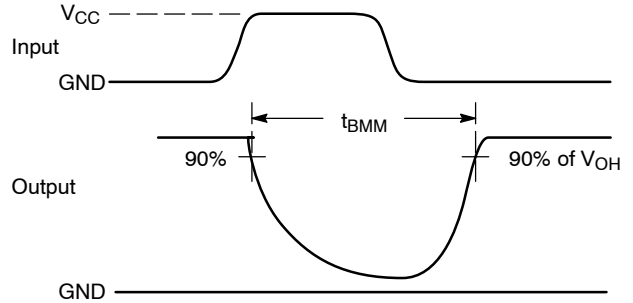


Figure 5. t_{ON}/t_{OFF}

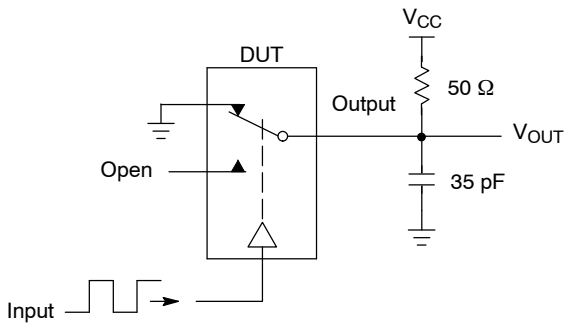
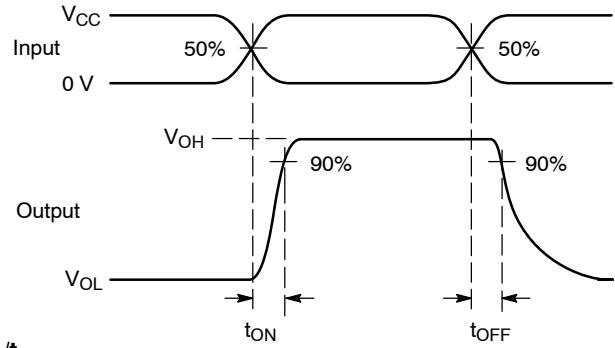
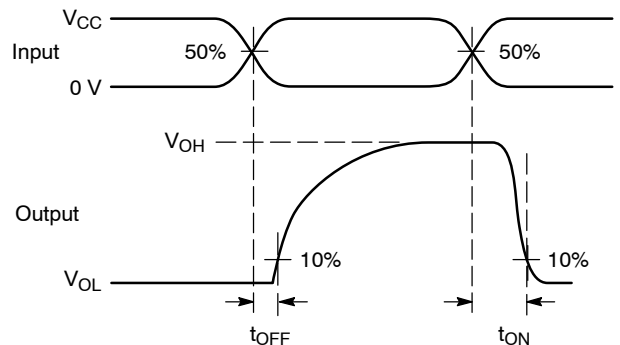
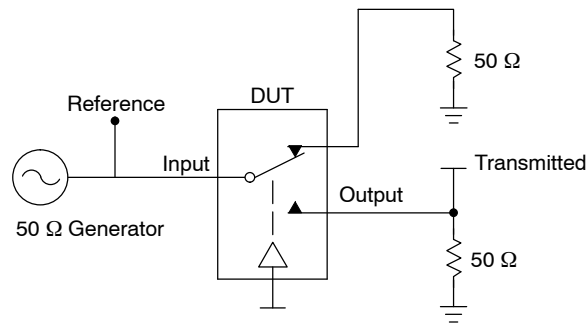


Figure 6. t_{ON}/t_{OFF}



NLAS3899B



Channel switch control/s test socket is normalized. Off isolation is measured across an off channel. On loss is the bandwidth of an On switch. V_{ISO} , Bandwidth and V_{ONL} are independent of the input signal direction.

$$V_{ISO} = \text{Off Channel Isolation} = 20 \text{ Log} \left(\frac{V_{OUT}}{V_{IN}} \right) \text{ for } V_{IN} \text{ at } 100 \text{ kHz}$$

$$V_{ONL} = \text{On Channel Loss} = 20 \text{ Log} \left(\frac{V_{OUT}}{V_{IN}} \right) \text{ for } V_{IN} \text{ at } 100 \text{ kHz to } 50 \text{ MHz}$$

Bandwidth (BW) = the frequency 3 dB below V_{ONL}

V_{CT} = Use V_{ISO} setup and test to all other switch analog input/outputs terminated with 50 Ω

Figure 7. Off Channel Isolation/On Channel Loss (BW)/Crosstalk (On Channel to Off Channel)/ V_{ONL}

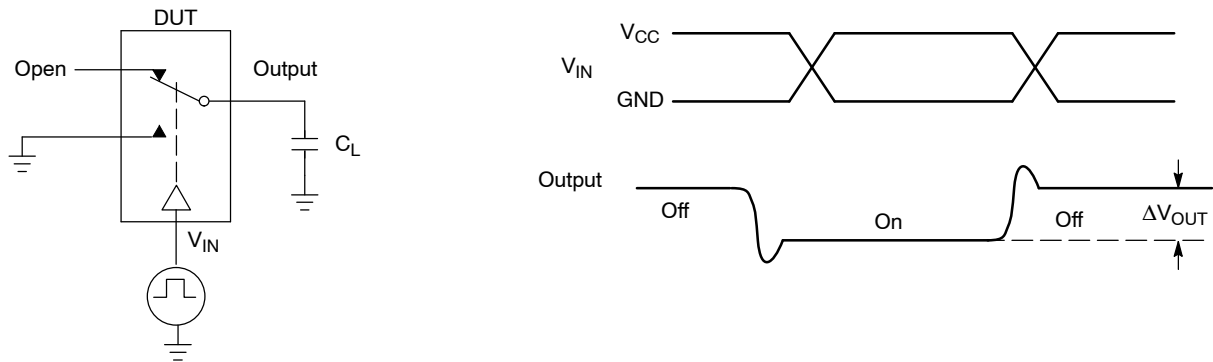


Figure 8. Charge Injection: (Q)

NLAS3899B

DEVICE ORDERING INFORMATION

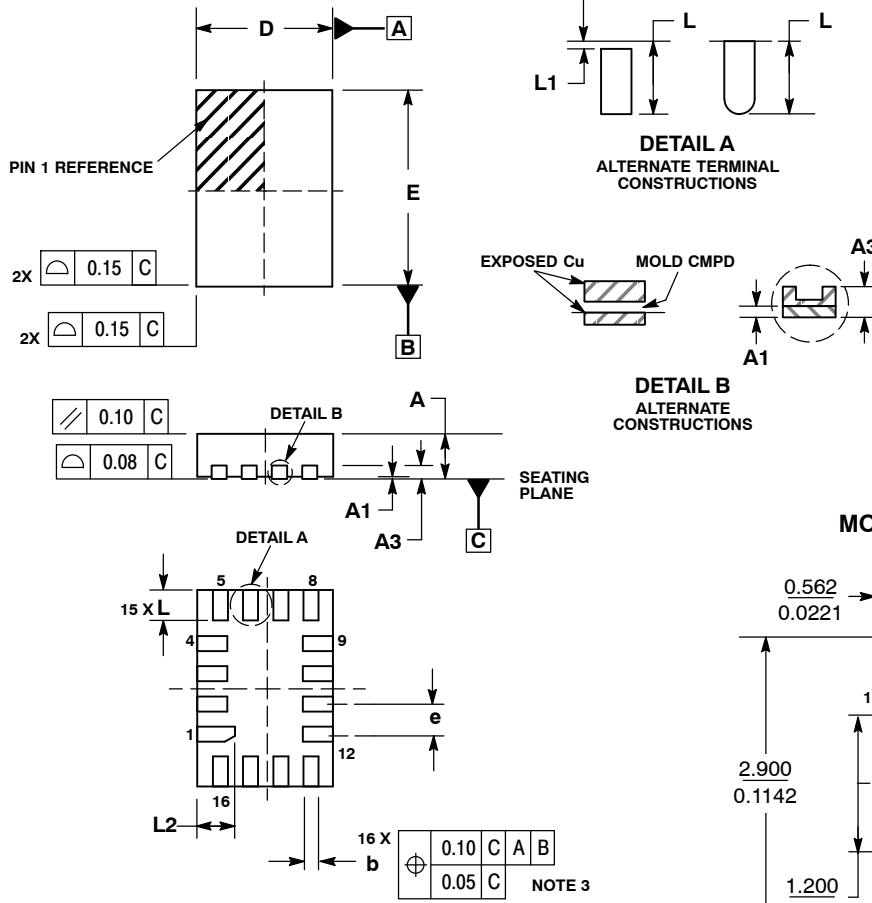
Device Order Number	Package Type	Tape & Reel Size†
NLAS3899BMNTBG	WQFN16 (Pb-Free)	3000 / Tape & Reel
NLAS3899BMNTWG	QFN16 (Pb-Free)	3000 / Tape & Reel
NLAS3899BMNTXG	QFN16 (Pb-Free)	3000 / Tape & Reel

†For information on tape and reel specifications, including part orientation and tape sizes, please refer to our Tape and Reel Packaging Specifications Brochure, BRD8011/D.

NLAS3899B

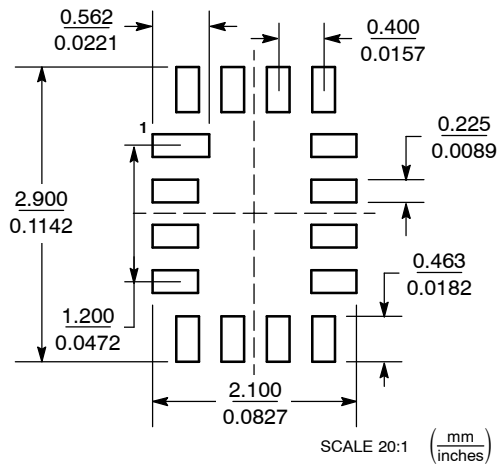
PACKAGE DIMENSIONS

WQFN16, 1.8x2.6, 0.4P
CASE 488AP
ISSUE B



- NOTES:
1. DIMENSIONING AND TOLERANCING PER ASME Y14.5M, 1994.
 2. CONTROLLING DIMENSION: MILLIMETERS
 3. DIMENSION b APPLIES TO PLATED TERMINAL AND IS MEASURED BETWEEN 0.25 AND 0.30 MM FROM TERMINAL
 4. COPLANARITY APPLIES TO THE EXPOSED PAD AS WELL AS THE TERMINALS.
 5. EXPOSED PADS CONNECTED TO DIE FLAG. USED AS TEST CONTACTS.

MOUNTING FOOTPRINT

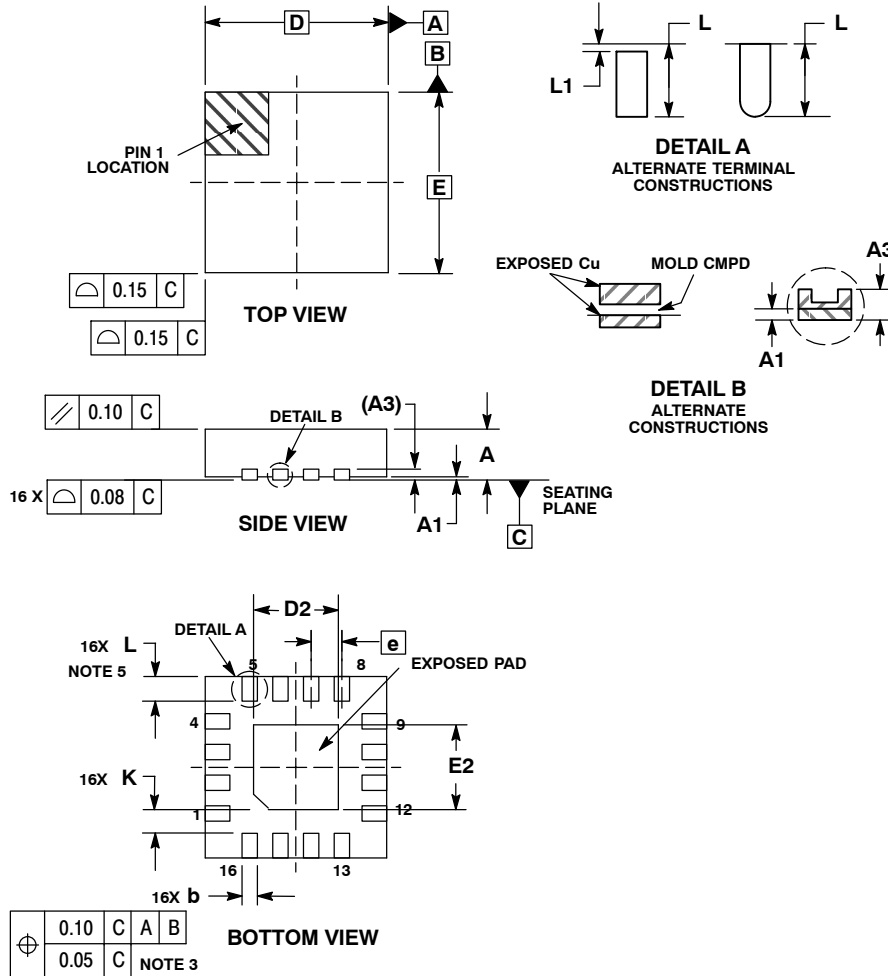


*For additional information on our Pb-Free strategy and soldering details, please download the ON Semiconductor Soldering and Mounting Techniques Reference Manual, SOLDERRM/D.

NLAS3899B

PACKAGE DIMENSIONS

QFN16 3x3, 0.5 P
CASE 485AE
ISSUE A



NOTES:

1. DIMENSIONING AND TOLERANCING PER ASME Y14.5M, 1994.
2. CONTROLLING DIMENSION: MILLIMETERS.
3. DIMENSION b APPLIES TO PLATED TERMINAL AND IS MEASURED BETWEEN 0.25 AND 0.30 MM FROM TERMINAL.
4. COPLANARITY APPLIES TO THE EXPOSED PAD AS WELL AS THE TERMINALS.
5. OUTLINE MEETS JEDEC DIMENSIONS PER MO-220, VARIATION VEED-6.

DIM	MILLIMETERS		
	MIN	NOM	MAX
A	0.80	0.90	1.00
A1	0.00	0.03	0.05
A3	0.20 REF		
b	0.18	0.25	0.30
D	3.00 BSC		
D2	1.25	1.40	1.55
E	3.00 BSC		
E2	1.25	1.40	1.55
e	0.50 BSC		
K	0.20	---	---
L	0.30	0.40	0.50
L1	0.00	---	0.15

ON Semiconductor and **ON** are registered trademarks of Semiconductor Components Industries, LLC (SCILLC). SCILLC owns the rights to a number of patents, trademarks, copyrights, trade secrets, and other intellectual property. A listing of SCILLC's product/patent coverage may be accessed at www.onsemi.com/site/pdf/Patent-Marking.pdf. SCILLC reserves the right to make changes without further notice to any products herein. SCILLC makes no warranty, representation or guarantee regarding the suitability of its products for any particular purpose, nor does SCILLC assume any liability arising out of the application or use of any product or circuit, and specifically disclaims any and all liability, including without limitation special, consequential or incidental damages. "Typical" parameters which may be provided in SCILLC data sheets and/or specifications can and do vary in different applications and actual performance may vary over time. All operating parameters, including "Typicals" must be validated for each customer application by customer's technical experts. SCILLC does not convey any license under its patent rights nor the rights of others. SCILLC products are not designed, intended, or authorized for use as components in systems intended for surgical implant into the body, or other applications intended to support or sustain life, or for any other application in which the failure of the SCILLC product could create a situation where personal injury or death may occur. Should Buyer purchase or use SCILLC products for any such unintended or unauthorized application, Buyer shall indemnify and hold SCILLC and its officers, employees, subsidiaries, affiliates, and distributors harmless against all claims, costs, damages, and expenses, and reasonable attorney fees arising out of, directly or indirectly, any claim of personal injury or death associated with such unintended or unauthorized use, even if such claim alleges that SCILLC was negligent regarding the design or manufacture of the part. SCILLC is an Equal Opportunity/Affirmative Action Employer. This literature is subject to all applicable copyright laws and is not for resale in any manner.

PUBLICATION ORDERING INFORMATION

LITERATURE FULFILLMENT:
Literature Distribution Center for ON Semiconductor
P.O. Box 5163, Denver, Colorado 80217 USA
Phone: 303-675-2175 or 800-344-3860 Toll Free USA/Canada
Fax: 303-675-2176 or 800-344-3867 Toll Free USA/Canada
Email: orderlit@onsemi.com

N. American Technical Support: 800-282-9855 Toll Free
USA/Canada
Europe, Middle East and Africa Technical Support:
Phone: 421 33 790 2910
Japan Customer Focus Center
Phone: 81-3-5817-1050

ON Semiconductor Website: www.onsemi.com
Order Literature: <http://www.onsemi.com/orderlit>

For additional information, please contact your local Sales Representative

Компания «Океан Электроники» предлагает заключение долгосрочных отношений при поставках импортных электронных компонентов на взаимовыгодных условиях!

Наши преимущества:

- Поставка оригинальных импортных электронных компонентов напрямую с производств Америки, Европы и Азии, а так же с крупнейших складов мира;
- Широкая линейка поставок активных и пассивных импортных электронных компонентов (более 30 млн. наименований);
- Поставка сложных, дефицитных, либо снятых с производства позиций;
- Оперативные сроки поставки под заказ (от 5 рабочих дней);
- Экспресс доставка в любую точку России;
- Помощь Конструкторского Отдела и консультации квалифицированных инженеров;
- Техническая поддержка проекта, помощь в подборе аналогов, поставка прототипов;
- Поставка электронных компонентов под контролем ВП;
- Система менеджмента качества сертифицирована по Международному стандарту ISO 9001;
- При необходимости вся продукция военного и аэрокосмического назначения проходит испытания и сертификацию в лаборатории (по согласованию с заказчиком);
- Поставка специализированных компонентов военного и аэрокосмического уровня качества (Xilinx, Altera, Analog Devices, Intersil, Interpoint, Microsemi, Actel, Aeroflex, Peregrine, VPT, Syfer, Eurofarad, Texas Instruments, MS Kennedy, Miteq, Cobham, E2V, MA-COM, Hittite, Mini-Circuits, General Dynamics и др.);

Компания «Океан Электроники» является официальным дистрибьютором и эксклюзивным представителем в России одного из крупнейших производителей разъемов военного и аэрокосмического назначения «JONHON», а так же официальным дистрибьютором и эксклюзивным представителем в России производителя высокотехнологичных и надежных решений для передачи СВЧ сигналов «FORSTAR».



JONHON

«JONHON» (основан в 1970 г.)

Разъемы специального, военного и аэрокосмического назначения:

(Применяются в военной, авиационной, аэрокосмической, морской, железнодорожной, горно- и нефтедобывающей отраслях промышленности)

«FORSTAR» (основан в 1998 г.)

ВЧ соединители, коаксиальные кабели, кабельные сборки и микроволновые компоненты:

(Применяются в телекоммуникациях гражданского и специального назначения, в средствах связи, РЛС, а так же военной, авиационной и аэрокосмической отраслях промышленности).



Телефон: 8 (812) 309-75-97 (многоканальный)

Факс: 8 (812) 320-03-32

Электронная почта: ocean@oceanchips.ru

Web: <http://oceanchips.ru/>

Адрес: 198099, г. Санкт-Петербург, ул. Калинина, д. 2, корп. 4, лит. А