

Description

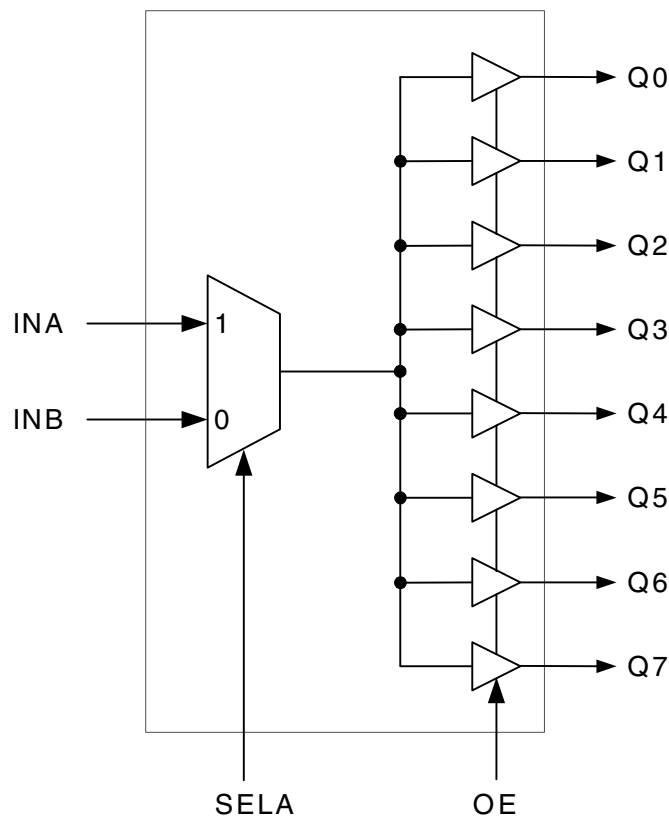
The 552-02S is a low skew, single-input to eight- output clock buffer. The device offers a dual input with pin select for switching between two clock sources. It has best in class Additive Phase Jitter of sub 50fsec

IDT makes many non-PLL and PLL based low skew output devices as well as Zero Delay Buffers to synchronize clocks. Contact us for all of your clocking needs.

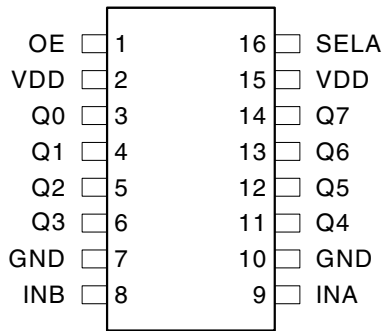
Features

- Low RMS Additive Phase Jitter: 50fs
- Low output skew: 50ps
- Operating Voltages of 1.8V to 3.3V
- Packaged in 16-pin TSSOP and 16-pin VFQFN, Pb-free
- Input clock multiplexer simplifies clock selection
- Output Enable pin tri-states outputs
- Input/Output clock frequency up to 200 MHz
- Low power CMOS technology
- 3.3V tolerant inputs
- Extended temperature (-40°C to +105°C)

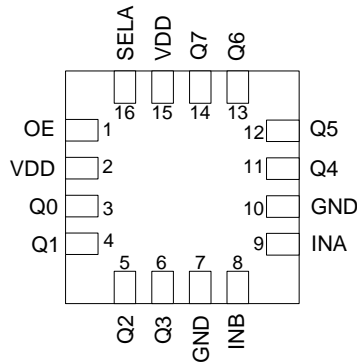
Block Diagram



Pin Assignments



16 Pin TSSOP



16-pin VFQFN

Input Source Select

SELA	Input
0	INB
1	INA

Pin Descriptions

Pin Number	Pin Name	Pin Type	Pin Description
1	OE	Input	Output Enable. Tri-states outputs when low. Internal pull-up resistor.
2	VDD	Power	Connect to +1.8V, +2.5V or +3.3V. Must be the same as pin 15.
3	Q0	Output	Clock Output 0.
4	Q1	Output	Clock Output 1.
5	Q2	Output	Clock Output 2.
6	Q3	Output	Clock Output 3.
7	GND	Power	Connect to ground.
8	INB	Input	Clock Input B. 3.3V tolerant.
9	INA	Input	Clock Input A. 3.3V tolerant.
10	GND	Power	Connect to ground.
11	Q4	Output	Clock Output 4.
12	Q5	Output	Clock Output 5.
13	Q6	Output	Clock Output 6.
14	Q7	Output	Clock Output 7.
15	VDD	Power	Connect to +1.8V, +2.5V or +3.3V. Must be the same as pin 2.
16	SELA	Input	Selects either INA or INB. Internal pull-up resistor.

External Components

A minimum number of external components are required for proper operation. Decoupling capacitors of 0.01 μ F should be connected between VDD on pin 2 and GND on pin 7, and between VDD on pin 15 and GND on pin 10, as close to the device as possible. A 33 Ω series terminating resistor should be used on each clock output if the trace is longer than 1 inch.

To achieve the low output skews that the 552-02S is capable of, careful attention must be paid to board layout. Essentially, all 8 outputs must have identical terminations, identical loads, and identical trace geometries. If they do not, the output skew will be degraded. For example, using a 30 Ω series termination on one output (with 33 Ω on the others) will cause at least 15ps of skew.

Absolute Maximum Ratings

Stresses above the ratings listed below can cause permanent damage to the 552-02S. These ratings, which are standard values for IDT commercially rated parts, are stress ratings only. Functional operation of the device at these or any other conditions above those indicated in the operational sections of the specifications is not implied. Exposure to absolute maximum rating conditions for extended periods can affect product reliability. Electrical parameters are guaranteed only over the recommended operating temperature range.

Item	Rating
Supply Voltage, VDD	3.465V
All Inputs and Outputs	-0.5 V to 3.465V
Ambient Operating Temperature, Extended	-40 to +105°C
Storage Temperature	-65 to +150 °C
Junction Temperature	175 °C
Soldering Temperature	260 °C

Recommended Operation Conditions

Parameter	Min.	Typ.	Max.	Units
Ambient Operating Temperature, Extended	-40	–	+105	°C
Power Supply Voltage (measured in respect to GND)	+1.71		+3.465	V

DC Electrical Characteristics

VDD=1.8 V ±5%, Ambient temperature -40°C to +105°C, unless stated otherwise

Parameter	Symbol	Conditions	Min.	Typ.	Max.	Units
Operating Voltage	VDD		1.71		1.89	V
Input High Voltage, INA, INB	V _{IH}	Note 1	0.7xVDD		1.89	V
Input Low Voltage, INA, INB	V _{IL}	Note 1			0.3xVDD	V
Input High Voltage, OE, SELA	V _{IH}		0.7xVDD		VDD	V
Input Low Voltage, OE, SELA	V _{IL}				0.3xVDD	V
Output High Voltage	V _{OH}	I _{OH} = -10 mA	1.3			V
Output Low Voltage	V _{OL}	I _{OL} = 10 mA			0.35	V
Operating Supply Current	IDD	No load, 135 MHz		32		mA

VDD=2.5 V ±5%, Ambient temperature -40°C to +105°C, unless stated otherwise

Parameter	Symbol	Conditions	Min.	Typ.	Max.	Units
Operating Voltage	VDD		2.375		2.625	V
Input High Voltage, INA, INB	V _{IH}	Note 1	0.7xVDD		2.625	V
Input Low Voltage, INA, INB	V _{IL}	Note 1			0.3xVDD	V
Input High Voltage, OE, SELA	V _{IH}		0.7xVDD		VDD	V
Input Low Voltage, OE, SELA	V _{IL}				0.3xVDD	V
Output High Voltage	V _{OH}	I _{OH} = -16 mA	1.8			V
Output Low Voltage	V _{OL}	I _{OL} = 16 mA			0.5	V
Operating Supply Current	IDD	No load, 135 MHz		43		mA

VDD=3.3 V ±5%, Ambient temperature -40°C to +105°C, unless stated otherwise

Parameter	Symbol	Conditions	Min.	Typ.	Max.	Units
Operating Voltage	VDD		3.135		3.465	V
Input High Voltage, INA, INB	V _{IH}	Note 1	0.7xVDD		3.465	V
Input Low Voltage, INA, INB	V _{IL}	Note 1			0.3xVDD	V
Input High Voltage, OE, SELA	V _{IH}		0.7xVDD		VDD	V
Input Low Voltage, OE, SELA	V _{IL}				0.3xVDD	V
Output High Voltage	V _{OH}	I _{OH} = -25 mA	2.2			V
Output Low Voltage	V _{OL}	I _{OH} = 25 mA			0.7	V
Operating Supply Current	IDD	No load, 135 MHz		55		mA

AC Electrical Characteristics

VDD = 1.8V ±5%, Ambient Temperature -40°C to +105°C, unless stated otherwise

Parameter	Symbol	Conditions	Min.	Typ.	Max.	Units
Input Frequency			0		200	MHz
Output Rise Time	t _{OR}	0.36 to 1.44 V, C _L =5 pF		1	1.5	ns
Output Fall Time	t _{OF}	1.44 to 0.36 V, C _L =5 pF		1	1.5	ns
Start-up Time	t _{START-UP}	Part start-up time for valid outputs after VDD ramp-up			2	ms
Propagation Delay	Note 1	135MHz	2	2.5	3	ns
Buffer Additive Phase Jitter, RMS		125MHz, Integration Range: 12KHz-20MHz		50	65	ps
Output to output skew	Note 2	Rising edges at VDD/2		0	65	ps
Input A to Input B skew	Note 3			0	50	ps

VDD = 2.5V ±5%, Ambient Temperature -40°C to +105°C, unless stated otherwise

Parameter	Symbol	Conditions	Min.	Typ.	Max.	Units
Input Frequency			0		200	MHz
Output Rise Time	t _{OR}	0.5 to 2.0 V, C _L =5 pF		0.6	1.0	ns
Output Fall Time	t _{OF}	2.0 to 0.5 V, C _L =5 pF		0.6	1.0	ns
Start-up Time	t _{START-UP}	Part start-up time for valid outputs after VDD ramp-up			2	ms
Propagation Delay	Note 1	135MHz	2	2.7	3.5	ns
Buffer Additive Phase Jitter, RMS		125MHz, Integration Range: 12KHz-20MHz		50	65	ps
Output to output skew	Note 2	Rising edges at VDD/2		0	65	ps
Input A to Input B skew	Note 3			0	50	ps

VDD = 3.3V ±5%, Ambient Temperature -40°C to +105°C, unless stated otherwise

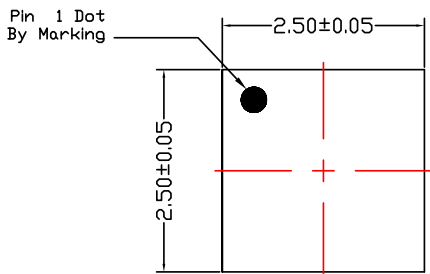
Parameter	Symbol	Conditions	Min.	Typ.	Max.	Units
Input Frequency			0		200	MHz
Output Rise Time	t _{OR}	0.66 to 2.64 V, C _L =5 pF		0.6	1.0	ns
Output Fall Time	t _{OF}	2.64 to 0.66 V, C _L =5 pF		0.6	1.0	ns
Start-up Time	t _{START-UP}	Part start-up time for valid outputs after VDD ramp-up			2	ms
Propagation Delay	Note 1	135MHz	2	2.5	3	ns
Buffer Additive Phase Jitter, RMS		125MHz, Integration Range: 12KHz-20MHz		50	65	ps
Output to output skew	Note 2	Rising edges at VDD/2		0	65	ps
Input A to Input B skew	Note 3			0	50	ps

Notes:

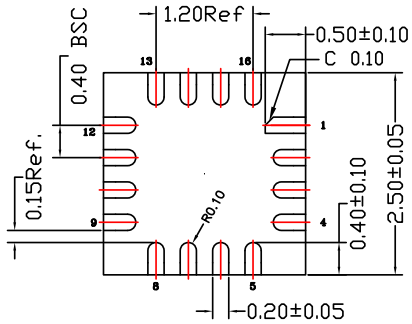
1. With rail-to-rail input clock.
2. Between any two outputs with equal loading.
3. Propagation delay matching through the part.
4. Duty cycle on outputs will match incoming clock duty cycle. Consult IDT for tight duty cycle clock generators.

Package Outline and Dimensions (16-pin VFQFN)

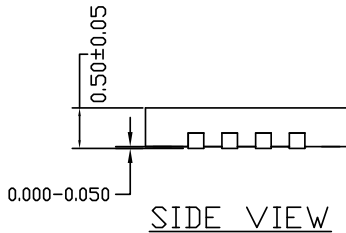
REVISIONS			
REV	DESCRIPTION	DATE	APPROVED
00	INITIAL RELEASE	04/03/14	JH
01	ADD PIN1 CHAMFER	12/11/14	JH



TOP VIEW



BOTTOM VIEW



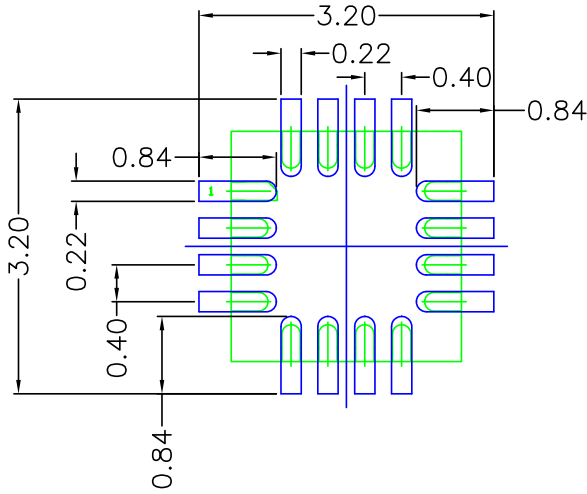
SIDE VIEW

NOTES:

1. ALL DIMENSIONING AND TOLERANCING CONFORM TO ANSI Y14.5M-1982
2. ALL DIMENSIONS ARE IN MILLIMETERS.

TOLERANCES UNLESS SPECIFIED		6024 Silver Creek Valley Road San Jose CA 95138 PHONE: (408) 284-8200 FAX: (408) 284-8591 www.IDT.com		
DECIMAL	ANGULAR			
X±	±1°			
XX±				
XXX±				
APPROVALS	DATE	TITLE		
DRAWN <i>[Signature]</i>	04/03/14	CMG 16 PACKAGE OUTLINE		
CHECKED		2.5 x 2.5 mm BODY		
		0.40 mm PITCH VFQFN		
		SIZE	DRAWING No.	REV
		C	PSC-4478	01
DO NOT SCALE DRAWING			SHEET 1 OF 2	

REVISIONS			
REV	DESCRIPTION	DATE	APPROVED
00	INITIAL RELEASE	04/03/14	JH
01	ADD PIN1 CHAMFER	12/11/14	JH



RECOMMENDED LAND PATTERN DIMENSION

NOTES:

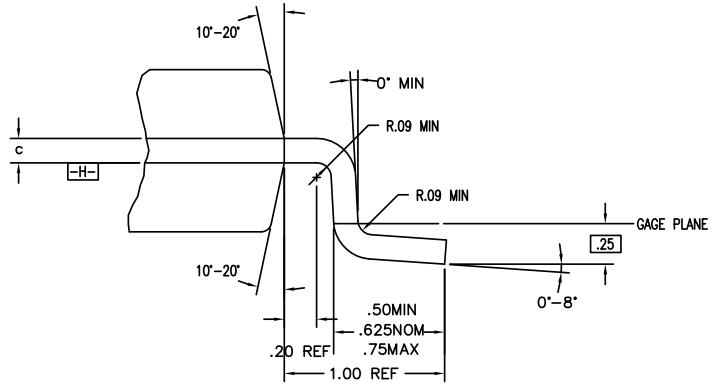
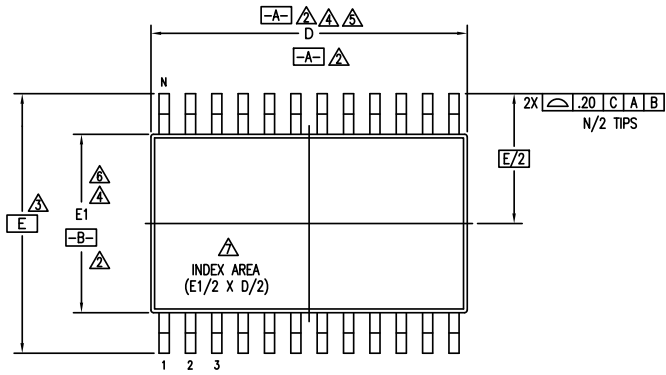
1. ALL DIMENSIONS ARE IN MM. ANGLES IN DEGREES.
2. TOP DOWN VIEW AS VIEWED ON PCB.
3. COMPONENT OUTLINE IS SHOWN FOR REFERENCE IN GREEN.
4. LAND PATTERN IN BLUE. NSMD PATTERN ASSUMED.
5. LAND PATTERN RECOMMENDATION PER IPC-7351B GENERIC REQUIREMENT FOR SURFACE MOUNT DESIGN AND LAND PATTERN.

TOLERANCES UNLESS SPECIFIED		6024 Silver Creek Valley Road San Jose CA 95138 PHONE: (408) 284-8200 FAX: (408) 284-8591 www.IDT.com
DECIMAL	ANGULAR	
X±	±1°	
XX±		
XXX±		
APPROVALS	DATE	TITLE
DRAWN <i>psr</i>	04/03/14	CMG 16 PACKAGE OUTLINE 2.5 x 2.5 mm BODY 0.40 mm PITCH VFQFN
CHECKED		
		SIZE
		DRAWING No.
		C
		PSC-4478
		REV
		01
DO NOT SCALE DRAWING		SHEET 2 OF 2

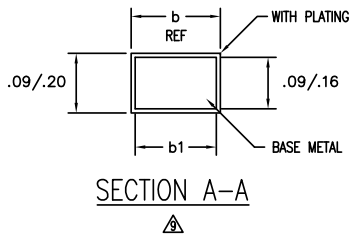
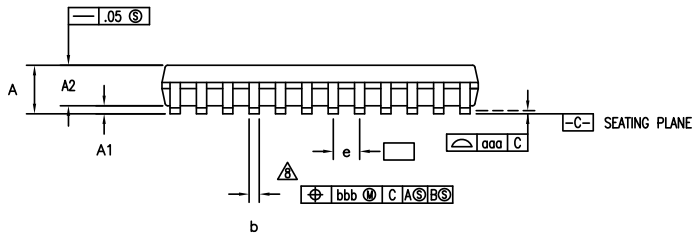
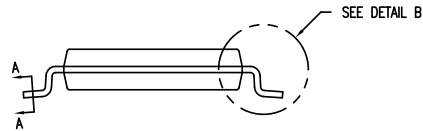
Package Outline and Dimensions (16-pin TSSOP)

DATE CREATED	REVISIONS		
	REV	DESCRIPTION	AUTHOR
08/25/98	02	ADD 14 & 16 LD	T. VU
07/10/99	03	ADD 8 LD	T. VU
5/23/01	04	ADDED TOPMARK TO TITLE	
10/14/04	05	ADD "GREEN" PGG NOMENCLATURE	TU VU
3/8/13	06	ADDED PACKAGE CODE	RAC
9/3/14	07	ADD TOLERANCE FOR A, A1, E AND b	CK LEE
3/10/17	08	ADD OPTION T1	R.TANH

NOTE: REFER TO DCP FOR OFFICIAL RELEASE DATE



DETAIL B



TOLERANCES UNLESS SPECIFIED DECIMAL ANGULAR XX± ± XXX± ± XXXX± ±		2975 Stender Way Santa Clara, CA 95054 PHONE: (408) 727-8116 FAX: (408) 492-8874
		www.IDT.com
TITLE PG/PGG PACKAGE OUTLINE (PG OR PA TOPMARK CODE) 4.4 mm BODY WIDTH TSSOP .65 mm PITCH		
SIZE C	DRAWING No. PSC-4056	REV 08
DO NOT SCALE DRAWING		SHEET 1 OF 3

DATE CREATED	REVISIONS		
	REV	DESCRIPTION	AUTHOR
08/25/98	02	ADD 14 & 16 LD	T. VU
07/10/99	03	ADD 8 LD	T. VU
5/23/01	04	ADDED TOPMARK TO TITLE	
10/14/04	05	ADD "GREEN" PGG NOMENCLATURE	TU VU
3/8/13	06	ADDED PACKAGE CODE	RAC
9/3/14	07	ADD TOLERANCE FOR A, A1, E AND b	CK LEE
3/10/17	08	ADD OPTION T1	R.TANH

NOTE: REFER TO DCP FOR OFFICIAL RELEASE DATE

SYMBOL	PG/PGG8				PG/PGG14				PG/PGG16				PG/PGG20				PG/PGG24				PG/PGG28			
	JEDEC VARIATION			NOTE	JEDEC VARIATION			NOTE	JEDEC VARIATION			NOTE	JEDEC VARIATION			NOTE	JEDEC VARIATION			NOTE	JEDEC VARIATION			NOTE
	AA				AB-1				AB				AC				AD				AE			
	MIN	NOM	MAX		MIN	NOM	MAX		MIN	NOM	MAX		MIN	NOM	MAX		MIN	NOM	MAX		MIN	NOM	MAX	
A	.85	1.10	1.20		.85	1.10	1.20		.85	1.10	1.20		.85	1.10	1.20		.85	1.10	1.20		.85	1.10	1.20	
A1	.05	.10	.15		.05	.10	.15		.05	.10	.15		.05	.10	.15		.05	.10	.15		.05	.10	.15	
A2	.80	1.00	1.05		.80	1.00	1.05		.80	1.00	1.05		.80	1.00	1.05		.80	1.00	1.05		.80	1.00	1.05	
D	2.90	3.00	3.10	4,5	4.90	5.00	5.10	4,5	4.90	5.00	5.10	4,5	6.40	6.50	6.60	4,5	7.70	7.80	7.90	4,5	9.60	9.70	9.80	4,5
E	6.20	6.40	6.60	3	6.20	6.40	6.60	3	6.20	6.40	6.60	3	6.20	6.40	6.60	3	6.20	6.40	6.60	3	6.20	6.40	6.60	3
E1	4.30	4.40	4.50	4,6	4.30	4.40	4.50	4,6	4.30	4.40	4.50	4,6	4.30	4.40	4.50	4,6	4.30	4.40	4.50	4,6	4.30	4.40	4.50	4,6
e	.65 BSC				.65 BSC				.65 BSC				.65 BSC				.65 BSC				.65 BSC			
b	.19	.25	.30		.19	.25	.30		.19	.25	.30		.19	.25	.30		.19	.25	.30		.19	.25	.30	
b1	.19	.22	.25		.19	.22	.25		.19	.22	.25		.19	.22	.25		.19	.22	.25		.19	.22	.25	
aaa	-	-	.10		-	-	.10		-	-	.10		-	-	.10		-	-	.10		-	-	.10	
bbb	-	-	.10		-	-	.10		-	-	.10		-	-	.10		-	-	.10		-	-	.10	
N	8				14				16				20				24				28			

NOTES:

- ALL DIMENSIONING AND TOLERANCING CONFORM TO ASME Y14.5M-1994
- DATUMS \square A \square AND \square B \square TO BE DETERMINED AT DATUM PLANE \square H \square
- DIMENSION E TO BE DETERMINED AT SEATING PLANE \square C \square
- DIMENSIONS D AND E1 ARE TO BE DETERMINED AT DATUM PLANE \square H \square
- DIMENSION D DOES NOT INCLUDE MOLD FLASH, PROTRUSIONS OR GATE BURRS. MOLD FLASH, PROTRUSIONS OR GATE BURRS SHALL NOT EXCEED .15 mm PER SIDE
- DIMENSION E1 DOES NOT INCLUDE INTERLEAD FLASH OR PROTRUSIONS. INTERLEAD FLASH OR PROTRUSIONS SHALL NOT EXCEED .25 mm PER SIDE
- DETAIL OF PIN 1 IDENTIFIER IS OPTIONAL BUT MUST BE LOCATED WITHIN THE ZONE INDICATED
- LEAD WIDTH DIMENSION DOES NOT INCLUDE DAMBAR PROTRUSION. ALLOWABLE DAMBAR PROTRUSION IS .08 mm IN EXCESS OF THE LEAD WIDTH DIMENSION AT MAXIMUM MATERIAL CONDITION. DAMBAR CANNOT BE LOCATED ON THE LOWER RADIUS OR THE FOOT
- THESE DIMENSIONS APPLY TO THE FLAT SECTION OF THE LEAD BETWEEN .10 AND .25 mm FROM THE LEAD TIP
- ALL DIMENSIONS ARE IN MILLIMETERS
- THIS OUTLINE CONFORMS TO JEDEC PUBLICATION 95 REGISTRATION MO-153, VARIATION AA, AB-1, AB, AC, AD & AE

SYMBOL	OPTION T1 PGG14T1			
	JEDEC VARIATION			NOTE
	AB-1			
	MIN	NOM	MAX	
A	.90	1.10	1.20	
A1	.05	.10	.15	
A2	.80	1.00	1.05	
D	4.90	5.00	5.10	4,5
E	6.20	6.40	6.60	3
E1	4.30	4.40	4.50	4,6
e	.65 BSC			
b	.19	.25	.30	
b1	.19	.22	.25	
c	.09	-	.20	
aaa	-	-	.10	
bbb	-	-	.10	
N	14			

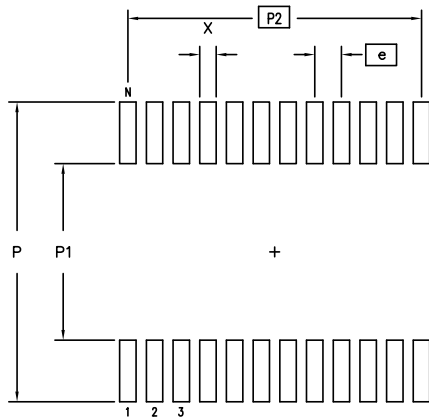
TOLERANCES UNLESS SPECIFIED DECIMAL ANGULAR XX± ± XXX± ± XXXX± ±	2975 Stender Way Santa Clara, CA 95054 PHONE: (408) 727-6116 www.IDT.com FAX: (408) 492-8674	
TITLE PG/PGG PACKAGE OUTLINE (PG OR PA TOPMARK CODE) 4.4 mm BODY WIDTH TSSOP .65 mm PITCH		
SIZE C	DRAWING No. PSC-4056	REV 08
DO NOT SCALE DRAWING		SHEET 2 OF 3

Package Outline and Dimensions (16-pin TSSOP), cont.

DATE CREATED	REVISIONS		
	REV	DESCRIPTION	AUTHOR
08/25/98	02	ADD 14 & 16 LD	T. VU
07/10/99	03	ADD 8 LD	T. VU
5/23/01	04	ADDED TOPMARK TO TITLE	
10/14/04	05	ADD "GREEN" PGG NOMENCLATURE	TU VU
3/8/13	06	ADDED PACKAGE CODE	RAC
9/3/14	07	ADD TOLERANCE FOR A, A1, E AND b	CK LEE
3/10/17	08	ADD OPTION T1	R.TANH

NOTE: REFER TO DCP FOR OFFICIAL RELEASE DATE

LAND PATTERN DIMENSIONS



	MIN	MAX	MIN	MAX	MIN	MAX	MIN	MAX	MIN	MAX	MIN	MAX
P	7.20	7.40	7.20	7.40	7.20	7.40	7.20	7.40	7.20	7.40	7.20	7.40
P1	4.20	4.40	4.20	4.40	4.20	4.40	4.20	4.40	4.20	4.40	4.20	4.40
P2	1.95 BSC		3.90 BSC		4.55 BSC		5.85 BSC		7.15 BSC		8.45 BSC	
X	.30	.50	.30	.50	.30	.50	.30	.50	.30	.50	.30	.50
e	.65 BSC		.65 BSC		.65 BSC		.65 BSC		.65 BSC		.65 BSC	
N	8		14		16		20		24		28	

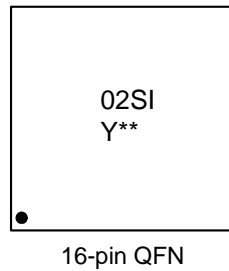
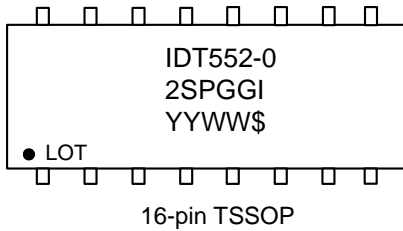
TOLERANCES UNLESS SPECIFIED DECIMAL ANGULAR XX± ± XXX± XXXX±	2975 Stender Way Santa Clara, CA 95054 PHONE: (408) 727-6116 www.IDT.com FAX: (408) 492-8674
SIZE DRAWING No. REV C PSC-4056 08	
DO NOT SCALE DRAWING	SHEET 3 OF 3

Ordering Information

Part / Order Number	Marking	Shipping Packaging	Package	Temperature
552-02SPGGI	TBD	Tubes	16-pin TSSOP	-40°C to +105°C
552-02SPGGI8		Tape and Reel	16-pin TSSOP	-40°C to +105°C
552-02SCMGI		Tubes	16-pin VFQFN	-40°C to +105°C
552-02SCMGI8		Tape and Reel	16-pin VFQFN	-40°C to +105°C

“G” after the two-letter package code denotes Pb-Free configuration, RoHS compliant.

Marking Diagrams



Notes:

1. “**” is the lot sequence.
2. “YYWW” or “Y” is the last digit(s) of the year and week that the part was assembled.
3. “\$” denotes the mark code.
4. “LOT” denotes lot number.
5. “G” after the two-letter package code denotes RoHS compliant package.
6. “I” denotes extended temperature range device.
7. Bottom marking: country of origin (TSSOP only).

Revision History

Rev.	Date	Originator	Description of Change
B	04/18/17	C.P.	1. Replaced package outline drawings with latest CMG16 and PGG16 versions. 2. Updated legal disclaimer.
A	07/11/16	H.G.	Release to final.



Corporate Headquarters
6024 Silver Creek Valley Road
San Jose, CA 95138 USA
www.IDT.com

Sales
1-800-345-7015 or 408-284-8200
Fax: 408-284-2775
www.IDT.com/go/sales

Tech Support
www.idt.com/go/support

DISCLAIMER Integrated Device Technology, Inc. (IDT) and its affiliated companies (herein referred to as "IDT") reserve the right to modify the products and/or specifications described herein at any time, without notice, at IDT's sole discretion. Performance specifications and operating parameters of the described products are determined in an independent state and are not guaranteed to perform the same way when installed in customer products. The information contained herein is provided without representation or warranty of any kind, whether express or implied, including, but not limited to, the suitability of IDT's products for any particular purpose, an implied warranty of merchantability, or non-infringement of the intellectual property rights of others. This document is presented only as a guide and does not convey any license under intellectual property rights of IDT or any third parties.

IDT's products are not intended for use in applications involving extreme environmental conditions or in life support systems or similar devices where the failure or malfunction of an IDT product can be reasonably expected to significantly affect the health or safety of users. Anyone using an IDT product in such a manner does so at their own risk, absent an express, written agreement by IDT.

Integrated Device Technology, IDT and the IDT logo are trademarks or registered trademarks of IDT and its subsidiaries in the United States and other countries. Other trademarks used herein are the property of IDT or their respective third party owners. For datasheet type definitions and a glossary of common terms, visit www.idt.com/go/glossary. Integrated Device Technology, Inc.. All rights reserved.

Компания «Океан Электроники» предлагает заключение долгосрочных отношений при поставках импортных электронных компонентов на взаимовыгодных условиях!

Наши преимущества:

- Поставка оригинальных импортных электронных компонентов напрямую с производств Америки, Европы и Азии, а так же с крупнейших складов мира;
- Широкая линейка поставок активных и пассивных импортных электронных компонентов (более 30 млн. наименований);
- Поставка сложных, дефицитных, либо снятых с производства позиций;
- Оперативные сроки поставки под заказ (от 5 рабочих дней);
- Экспресс доставка в любую точку России;
- Помощь Конструкторского Отдела и консультации квалифицированных инженеров;
- Техническая поддержка проекта, помощь в подборе аналогов, поставка прототипов;
- Поставка электронных компонентов под контролем ВП;
- Система менеджмента качества сертифицирована по Международному стандарту ISO 9001;
- При необходимости вся продукция военного и аэрокосмического назначения проходит испытания и сертификацию в лаборатории (по согласованию с заказчиком);
- Поставка специализированных компонентов военного и аэрокосмического уровня качества (Xilinx, Altera, Analog Devices, Intersil, Interpoint, Microsemi, Actel, Aeroflex, Peregrine, VPT, Syfer, Eurofarad, Texas Instruments, MS Kennedy, Miteq, Cobham, E2V, MA-COM, Hittite, Mini-Circuits, General Dynamics и др.);

Компания «Океан Электроники» является официальным дистрибьютором и эксклюзивным представителем в России одного из крупнейших производителей разъемов военного и аэрокосмического назначения «JONHON», а так же официальным дистрибьютором и эксклюзивным представителем в России производителя высокотехнологичных и надежных решений для передачи СВЧ сигналов «FORSTAR».



JONHON

«JONHON» (основан в 1970 г.)

Разъемы специального, военного и аэрокосмического назначения:

(Применяются в военной, авиационной, аэрокосмической, морской, железнодорожной, горно- и нефтедобывающей отраслях промышленности)

«FORSTAR» (основан в 1998 г.)

ВЧ соединители, коаксиальные кабели,
кабельные сборки и микроволновые компоненты:

(Применяются в телекоммуникациях гражданского и специального назначения, в средствах связи, РЛС, а так же военной, авиационной и аэрокосмической отраслях промышленности).



Телефон: 8 (812) 309-75-97 (многоканальный)

Факс: 8 (812) 320-03-32

Электронная почта: ocean@oceanchips.ru

Web: <http://oceanchips.ru/>

Адрес: 198099, г. Санкт-Петербург, ул. Калинина, д. 2, корп. 4, лит. А