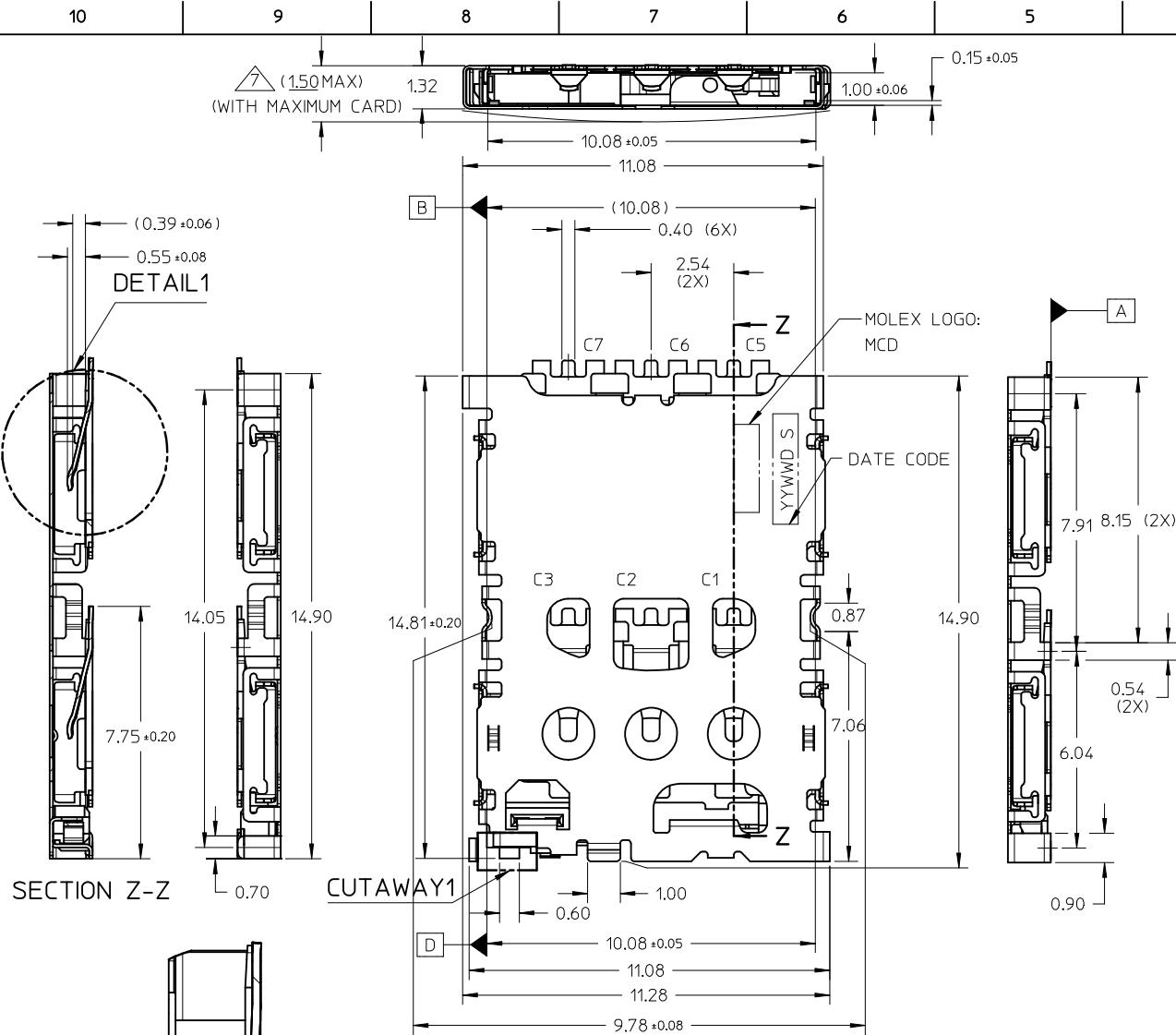


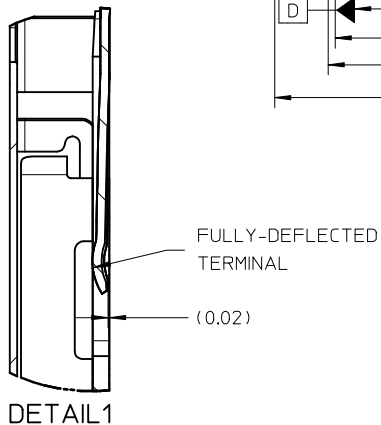
(1.50 MAX)
(WITH MAXIMUM CARD)



NOTES:

- MATERIALS:
 - CONNECTOR:-
 - INSERT MOLD HOUSING: LCP, GLASS FILLED, UL94V-0, COLOUR BLACK.
 - TERMINAL: TITANIUM COPPER, THICKNESS: 0.12MM
 - DETECT PIN: TITANIUM COPPER, THICKNESS: 0.12MM
 - SHELL: STAINLESS STEEL, THICKNESS: 0.10MM
 - PLATING FINISHES:
 - TERMINAL:-
 - CONTACT: 0.38um MIN. GOLD ON CONTACT AREA OVER 2.00um MIN. NICKEL UNDERPLATE.
 - SOLDERTAIL: 0.025um MIN. GOLD FLASH OVER 2.00um MIN. NICKEL UNDERPLATE.
 - SHELL:-
 - CONTACT: 0.05um MIN. GOLD ON CONTACT AREA OVER 2.00um MIN. NICKEL UNDERPLATE.
 - SOLDERTAIL: 0.025um MIN. GOLD FLASH OVER 2.00um MIN. NICKEL UNDERPLATE.
 - DETECT PIN:-
 - CONTACT: 0.127um MIN. GOLD ON CONTACT AREA OVER 2.00um MIN. NICKEL UNDERPLATE.
 - SOLDERTAIL: 1.27um MIN. MATTE TIN OVER 2.00um MIN. NICKEL UNDERPLATE.
 - PRODUCT SPECIFICATION: PS-151073-0001
 - PACKAGING SPECIFICATION: PK-151073-0001
 - OVERALL (SOLDERTAIL & SOLDERTAB) COPLANARITY 0.08MM MAX. BEFORE REFLOW.
 - CONNECTOR TO BE USED TOGETHER WITH MOLEX NANO SIM CARD TRAY ONLY.
- △ DIMENSION INCLUSIVE OF BULGE

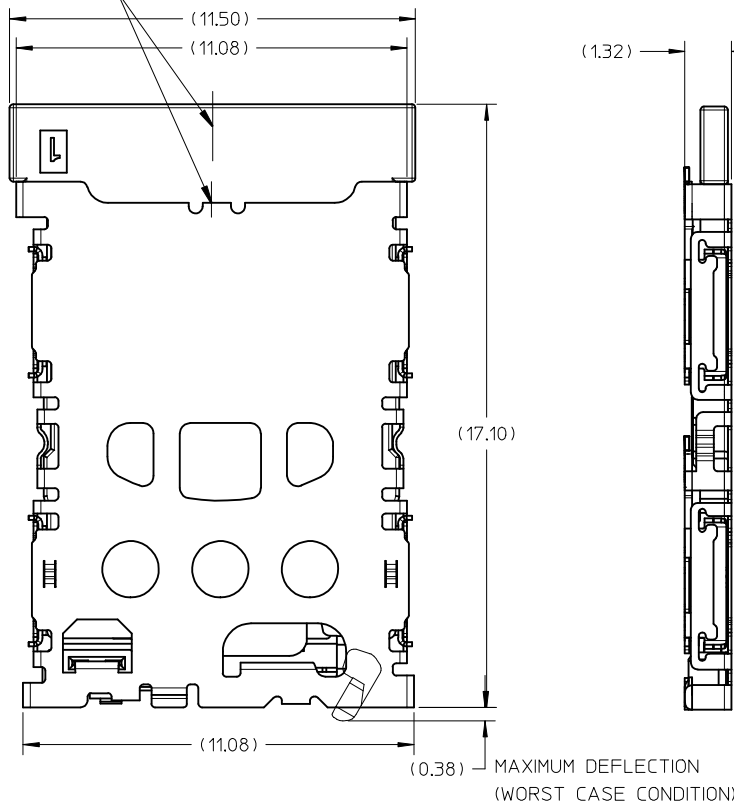
THIS DESIGN IS BASED ON DESIGN OBJECTIVES AND IS STRICTLY TENTATIVE. IT MAY CHANGE BASED ON RESULTS OF ADDITIONAL DESIGN REVIEWS & VERIFICATIONS.



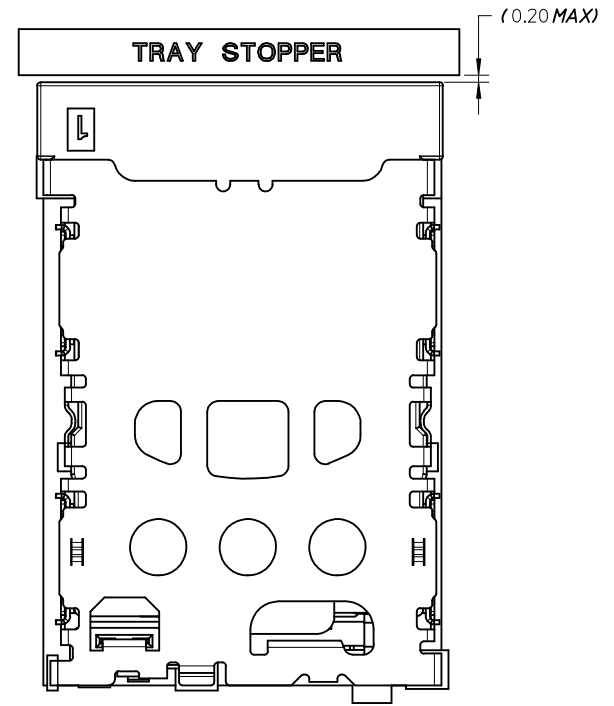
| | | | | | | |
|---------------------------------------------------------------------------------------------------------------------------------|-------------------------------------|------------------------------------------------------|--------------------|-------------------------------------------------------------------------------------------------------------------------------|----------------|-----------------------------------------------------------------|
| ADD TOL TO CONTACT TIP EC NO: S2015-0916 DRWN: SCHEONG 2015/03/03 CHKD: GMENARLY 2015/03/10 APPR: KHL IM 2015/03/12 | QUALITY SYMBOLS | GENERAL TOLERANCES (UNLESS SPECIFIED) | DIMENSION STYLE | SCALE | DESIGN UNITS | THIRD ANGLE PROJECTION |
| | $F_A = 0$ $F_C = 0$ $F_P = 0$ | mm INCH | MM ONLY | NTS | METRIC | |
| | | 4 PLACES ± --- ± --- | DRAWN BY DATE | | | TITLE |
| | | 3 PLACES ± --- ± --- | SCHEONG 2014/07/16 | | | NANO SIM CONNECTOR 1.32MM HEIGHT WITH TRAY AND DETECT PIN |
| | 2 PLACES ± 0.10 ± --- | CHECKED BY DATE | | | | |
| | 1 PLACE ± --- ± --- | GMENARLY 2015/03/10 | | | | |
| | 0 PLACE ± --- ± --- | APPROVED BY DATE | | | | |
| | | KHL IM 2015/03/12 | | | | |
| | | MATERIAL NO. | | | DOCUMENT NO. | SHEET NO. |
| | | ANGULAR ± 3 ° | | | SD-151073-0001 | 1 OF 3 |
| | | DRAFT WHERE APPLICABLE MUST REMAIN WITHIN DIMENSIONS | SIZE | THIS DRAWING CONTAINS INFORMATION THAT IS PROPRIETARY TO MOLEX INCORPORATED AND SHOULD NOT BE USED WITHOUT WRITTEN PERMISSION | | |
| 12 | REV | | A3 | | | |

10 9 8 7 6 5 4 3 2 1

CENTRELINES OF TRAY AND CONNECTOR OPENING ARE THE SAME



CONNECTOR WITH TRAY



SYSTEM LEVEL

| DESCRIPTION | PART NUMBER |
|--------------------|-------------|
| CONNECTOR | 151073-1000 |
| NANO SIM CARD TRAY | 151073-0011 |

| CARD INSERTION STATE | DETECT SWITCH CIRCUIT STATE | SCHEMATIC |
|----------------------|-----------------------------|-----------|
| CARD MATED | OPENED | |
| CARD UNMATED | CLOSED | |

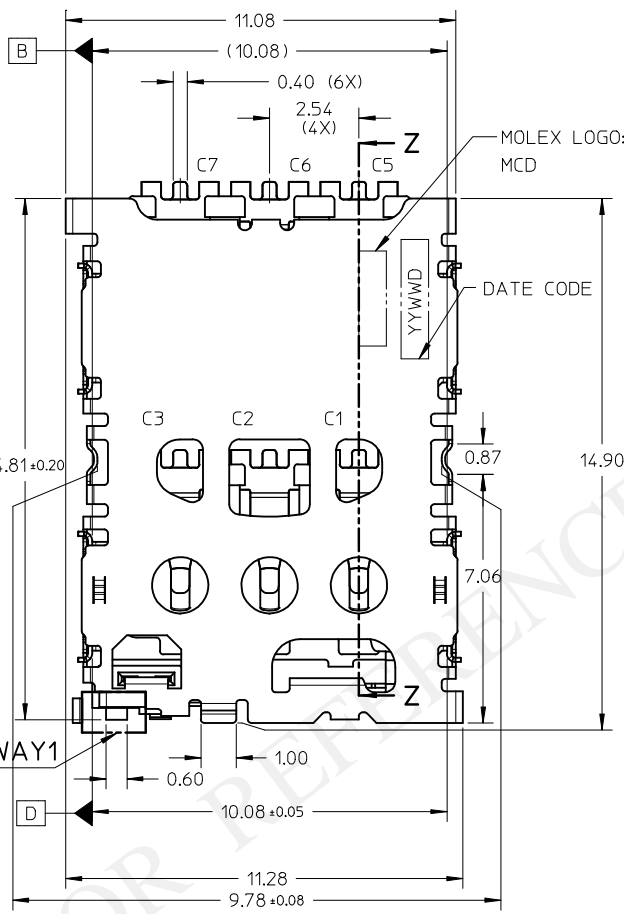
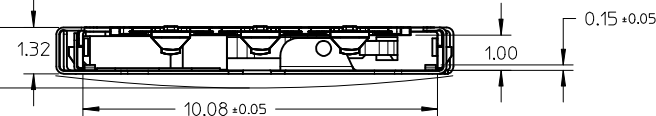
| | | | | | | |
|---------------------------------------------------------------------------------------------------------------------------------|------------------------------------------------------|---------------------------------------|-----------------|-------|--------------|------------------------|
| ADD TOL TO CONTACT TIP EC NO: S2015-0916 DRWN: SCHEONG 2015/03/03 CHKD: GMENARLY 2015/03/10 APPR: KHL IM 2015/03/12 | QUALITY SYMBOLS | GENERAL TOLERANCES (UNLESS SPECIFIED) | DIMENSION STYLE | SCALE | DESIGN UNITS | THIRD ANGLE PROJECTION |
| | $F_{\Delta} = 0$ | mm INCH | MM ONLY | NTS | METRIC | |
| | $F_{\sigma} = 0$ | 4 PLACES ± --- ± --- | DRAWN BY DATE | | | |
| | $F_{\rho} = 0$ | 3 PLACES ± --- ± --- | CHECKED BY DATE | | | |
| | 2 PLACES ± 0.10 ± --- | APPROVED BY DATE | | | | |
| | 1 PLACE ± --- ± --- | MATERIAL NO. | | | | |
| | 0 PLACE ± --- ± --- | | | | | |
| | ANGULAR ± 3 ° | | | | | |
| | DRAFT WHERE APPLICABLE MUST REMAIN WITHIN DIMENSIONS | | | | | |

| | | | |
|-------------------------------------------------------------------------------------------------------------------------------|-----------------------------------------------------------------|----------------|--------|
| TITLE | NANO SIM CONNECTOR 1.32MM HEIGHT WITH TRAY AND DETECT PIN | SHEET NO. | 2 OF 3 |
| MOLEX | DOCUMENT NO. | SD-151073-0001 | |
| THIS DRAWING CONTAINS INFORMATION THAT IS PROPRIETARY TO MOLEX INCORPORATED AND SHOULD NOT BE USED WITHOUT WRITTEN PERMISSION | | | |

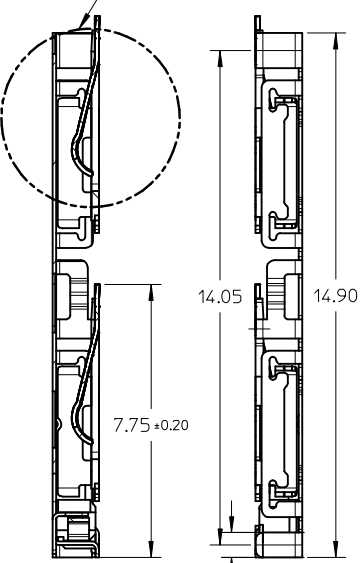
9 8 7 6 5 4 3 2 1

10 9 8 7 6 5 4 3 2 1

△ (1.50 MAX)
(WITH MAXIMUM CARD)

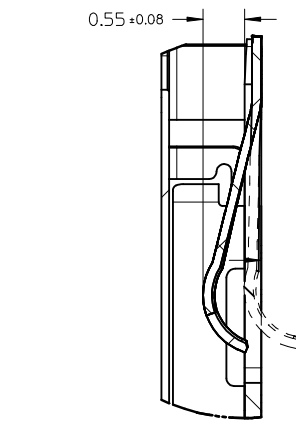


DETAIL1



SECTION Z-Z

CUTAWAY1



DEFLECTED TERMINAL
(0.53)

DETAIL1

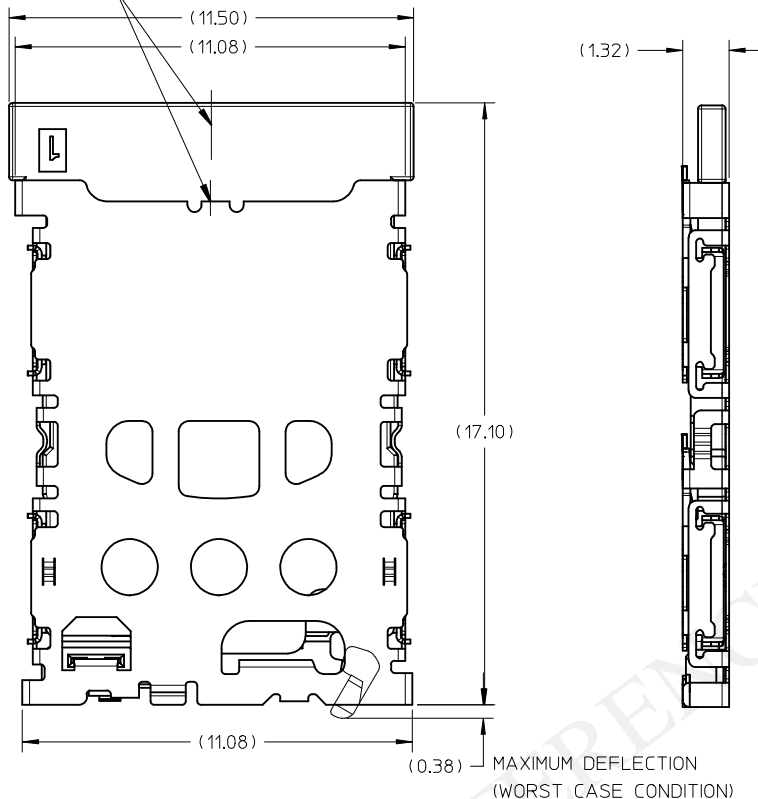
NOTES:

1. MATERIALS:
 - 1.1 CONNECTOR:-
 - INSERT MOLD HOUSING: LCP, GLASS FILLED, UL94V-0, COLOUR BLACK.
 - TERMINAL: TITANIUM COPPER, THICKNESS: 0.12MM
 - DETECT PIN: TITANIUM COPPER, THICKNESS: 0.12MM
 - SHELL: STAINLESS STEEL, THICKNESS: 0.10MM
 - 2. PLATING FINISHES:
 - 2.1 TERMINAL:-
 - CONTACT: 0.38um MIN. GOLD ON CONTACT AREA OVER 2.00um MIN. NICKEL UNDERPLATE.
 - SOLDERTAIL: 0.025um MIN. GOLD FLASH OVER 2.00um MIN. NICKEL UNDERPLATE.
 - 2.2 SHELL:-
 - CONTACT: 0.05um MIN. GOLD ON CONTACT AREA OVER 2.00um MIN. NICKEL UNDERPLATE.
 - SOLDERTAIL: 0.025um MIN. GOLD FLASH OVER 2.00um MIN. NICKEL UNDERPLATE.
 - 2.3 DETECT PIN:-
 - CONTACT: 0.127um MIN. GOLD ON CONTACT AREA OVER 2.00um MIN. NICKEL UNDERPLATE.
 - SOLDERTAIL: 1.27um MIN. MATTE TIN OVER 2.00um MIN. NICKEL UNDERPLATE.
 - 3. PRODUCT SPECIFICATION: PS-151073-0001
 - 4. PACKAGING SPECIFICATION: PK-151073-0001
 - 5. OVERALL (SOLDERTAIL & SOLDERTAB) COPLANARITY 0.08MM MAX. BEFORE REFLOW.
 - 6. CONNECTOR TO BE USED TOGETHER WITH MOLEX NANO SIM CARD TRAY ONLY.
 - △ DIMENSION INCLUSIVE OF BULGE
 - 8. CUSTOMER STENCIL THICKNESS: 0.10 ~ 0.12mm AND STENCIL OPENING: 1:1 MIN , 1:1.5 MAX

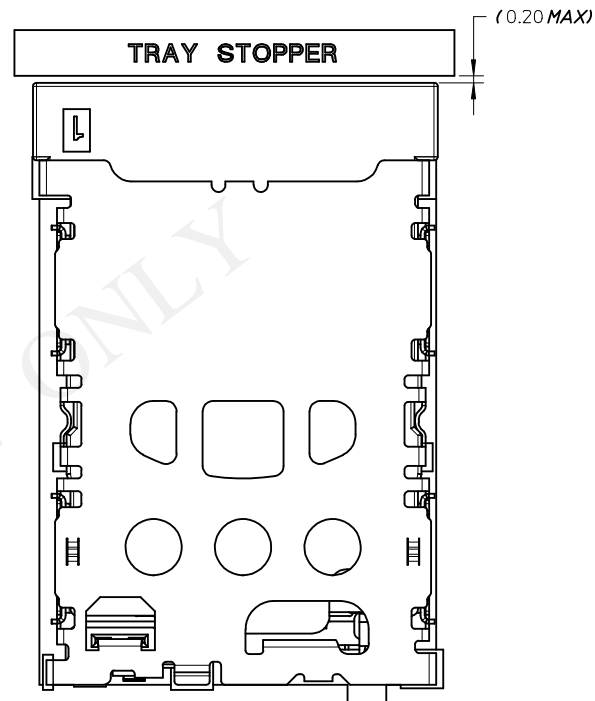
| | | | | | | | |
|-------------------------------------------------------------------------------------------------------------|---------------------|------------------------------------------------------|----------------------|-----------------|--------------|-------------------------------------------------------------------------------------------------------------------------------|---------------------------------------------------------------------------------|
| PRELIM. RELEASE EC NO: S2016-0054 DRWNS:SCHEONG 2015/07/07 CHKD: APPR:SCHEONG 2015/07/14 REV | QUALITY SYMBOLS | GENERAL TOLERANCES (UNLESS SPECIFIED) | | DIMENSION STYLE | SCALE | DESIGN UNITS | THIRD ANGLE PROJECTION |
| | ▽F=0 | mm | INCH | MM ONLY | NTS | METRIC | |
| | ▽F=6 | 4 PLACES ± --- ± --- | 3 PLACES ± --- ± --- | DRAWN BY | DATE | TITLE | NANO SIM CONNECTOR 1.32MM HEIGHT WITH TRAY AND DETECT PIN molex |
| | ▽F=0 | 2 PLACES ± 0.10 ± --- | 1 PLACE ± --- ± --- | SCHEONG | 2015/07/07 | SEE TABLE | |
| 1 | 0 PLACE ± --- ± --- | ANGULAR ± 3 ° | | CHECKED BY | DATE | SD-151073-0010 | SHEET NO. 1 OF 3 |
| | | DRAFT WHERE APPLICABLE MUST REMAIN WITHIN DIMENSIONS | | APPROVED BY | DATE | THIS DRAWING CONTAINS INFORMATION THAT IS PROPRIETARY TO MOLEX INCORPORATED AND SHOULD NOT BE USED WITHOUT WRITTEN PERMISSION | |
| | | | | SCHEONG | 2015/07/14 | | |
| | | | | MATERIAL NO. | DOCUMENT NO. | | |
| | | | | SIZE | | | |
| | | | | A3 | | | |

9 8 7 6 5 4 3 2 1

CENTRELINES OF TRAY AND CONNECTOR OPENING ARE THE SAME



CONNECTOR WITH TRAY

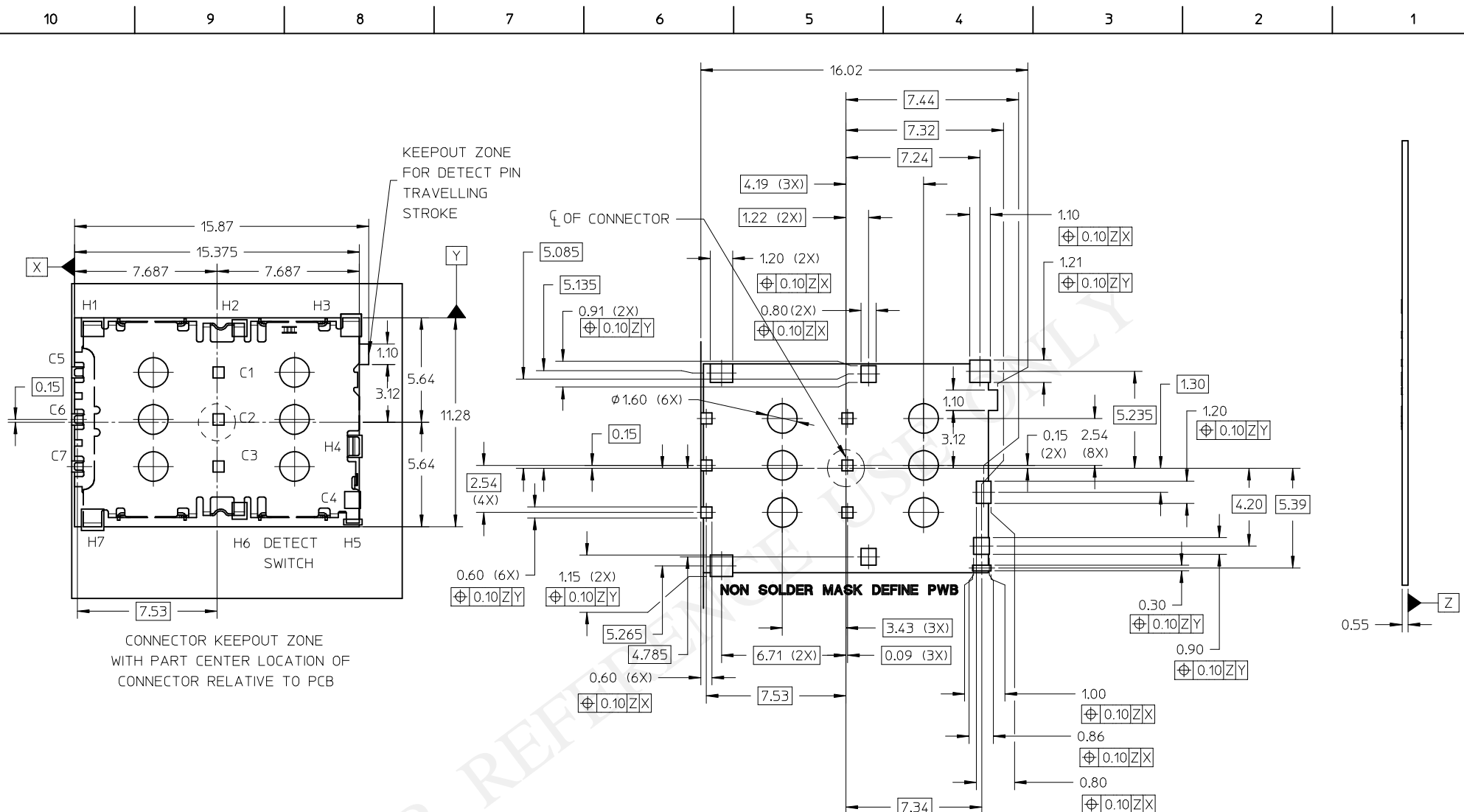


SYSTEM LEVEL

| DESCRIPTION | PART NUMBER |
|--------------------|-------------|
| CONNECTOR | 151073-0001 |
| NANO SIM CARD TRAY | 151073-0030 |

| CARD INSERTION STATE | DETECT SWITCH CIRCUIT STATE | SCHEMATIC |
|----------------------|-----------------------------|-----------|
| CARD MATED | OPENED | |
| CARD UNMATED | CLOSED | |

| | | | | | | | | | |
|---------------------------------------------------------------------------------------------------------------|-----------------------------------------------------------------|-------------------------------------------------------------------------------------------------------------------------------------------------------------|--------------|-----------------------------------|---------------------|---------------------------------------------------------------------------------------------------------------------|---------------------------------------|---------------------|--|
| PRELIM. RELEASE EC NO: S2016-0054 DRWNS: SCHEONG 2015/07/07 CHKD: APPR: SCHEONG 2015/07/14 | QUALITY SYMBOLS $\nabla = 0$ $\nabla = 0$ $\nabla = 0$ | GENERAL TOLERANCES (UNLESS SPECIFIED) | | DIMENSION STYLE MM ONLY | SCALE NTS | DESIGN UNITS METRIC | THIRD ANGLE PROJECTION | | |
| | | 4 PLACES \pm --- \pm --- 3 PLACES \pm --- \pm --- 2 PLACES ± 0.10 \pm --- 1 PLACE \pm --- \pm --- 0 PLACE \pm --- \pm --- | mm INCH | DRAWN BY SCHEONG | DATE 2015/07/07 | TITLE NANO SIM CONNECTOR 1.32MM HEIGHT WITH TRAY AND DETECT PIN | | | |
| | | ANGULAR $\pm 3^\circ$ | | CHECKED BY | DATE | APPROVED BY SCHEONG | | | |
| | | DRAFT WHERE APPLICABLE MUST REMAIN WITHIN DIMENSIONS | | SEE TABLE | | MATERIAL NO. | DOCUMENT NO. SD-151073-0010 | SHEET NO. 2 OF 3 | |



RECOMMENDED PWB LAYOUT
(NON SOLDER MASK DEFINE PWB)
PWB TOLERANCE: ±0.05MM

| | | | | | | | | | | |
|----------------------------------------------------------------------------------------|-----------------------------------------|-----------------------------------------------------------------------------|---------------------------------------------------------------------------------------------------------------------|----------------------------------------------------------------------------------------------------------------------------------|---------------------------------------------------------|--------------------------------|--------------------------------------------------------------------------|---------------------|------------------------|---------------------------|
| PRELIM. RELEASE EC NO: S2016-0054 DRWN: SCHEONG CHKD: APPR: SCHEONG | DESCRIPTION 2015/07/07 2015/07/14 | QUALITY SYMBOLS | | GENERAL TOLERANCES (UNLESS SPECIFIED) | | DIMENSION STYLE MM ONLY | | SCALE NTS | DESIGN UNITS METRIC | THIRD ANGLE PROJECTION |
| | | $\nabla_F = 0$ $\nabla_F = 0$ $\nabla_F = 0$ | 4 PLACES ± --- ± --- 3 PLACES ± --- ± --- 2 PLACES ± 0.10 ± --- 1 PLACE ± --- ± --- 0 PLACE ± --- ± --- | mm INCH | DRAWN BY SCHEONG CHECKED BY DATE 2015/07/07 | DATE 2015/07/07 | TITLE NANO SIM CONNECTOR 1.32MM HEIGHT WITH TRAY AND DETECT PIN | | | |
| | | ANGULAR ± 3 ° DRAFT WHERE APPLICABLE MUST REMAIN WITHIN DIMENSIONS | | MATERIAL NO. SEE TABLE | APPROVED BY SCHEONG DATE 2015/07/14 | DOCUMENT NO. SD-151073-0010 | | SHEET NO. 3 OF 3 | | |
| | | SIZE A3 | | THIS DRAWING CONTAINS INFORMATION THAT IS PROPRIETARY TO MOLEX INCORPORATED AND SHOULD NOT BE USED WITHOUT WRITTEN PERMISSION | | | | | | |

Компания «Океан Электроники» предлагает заключение долгосрочных отношений при поставках импортных электронных компонентов на взаимовыгодных условиях!

Наши преимущества:

- Поставка оригинальных импортных электронных компонентов напрямую с производств Америки, Европы и Азии, а так же с крупнейших складов мира;
- Широкая линейка поставок активных и пассивных импортных электронных компонентов (более 30 млн. наименований);
- Поставка сложных, дефицитных, либо снятых с производства позиций;
- Оперативные сроки поставки под заказ (от 5 рабочих дней);
- Экспресс доставка в любую точку России;
- Помощь Конструкторского Отдела и консультации квалифицированных инженеров;
- Техническая поддержка проекта, помощь в подборе аналогов, поставка прототипов;
- Поставка электронных компонентов под контролем ВП;
- Система менеджмента качества сертифицирована по Международному стандарту ISO 9001;
- При необходимости вся продукция военного и аэрокосмического назначения проходит испытания и сертификацию в лаборатории (по согласованию с заказчиком);
- Поставка специализированных компонентов военного и аэрокосмического уровня качества (Xilinx, Altera, Analog Devices, Intersil, Interpoint, Microsemi, Actel, Aeroflex, Peregrine, VPT, Syfer, Eurofarad, Texas Instruments, MS Kennedy, Miteq, Cobham, E2V, MA-COM, Hittite, Mini-Circuits, General Dynamics и др.);

Компания «Океан Электроники» является официальным дистрибьютором и эксклюзивным представителем в России одного из крупнейших производителей разъемов военного и аэрокосмического назначения «JONHON», а так же официальным дистрибьютором и эксклюзивным представителем в России производителя высокотехнологичных и надежных решений для передачи СВЧ сигналов «FORSTAR».



JONHON

«JONHON» (основан в 1970 г.)

Разъемы специального, военного и аэрокосмического назначения:

(Применяются в военной, авиационной, аэрокосмической, морской, железнодорожной, горно- и нефтедобывающей отраслях промышленности)

«FORSTAR» (основан в 1998 г.)

ВЧ соединители, коаксиальные кабели, кабельные сборки и микроволновые компоненты:

(Применяются в телекоммуникациях гражданского и специального назначения, в средствах связи, РЛС, а так же военной, авиационной и аэрокосмической отраслях промышленности).



Телефон: 8 (812) 309-75-97 (многоканальный)

Факс: 8 (812) 320-03-32

Электронная почта: ocean@oceanchips.ru

Web: <http://oceanchips.ru/>

Адрес: 198099, г. Санкт-Петербург, ул. Калинина, д. 2, корп. 4, лит. А