

Technology to Inspire Innovation

Preferred Connector Products

JAE



JAE Electronics, Inc.

For Additional Information Visit www.jae-connector.com

Japan Aviation Electronics Industry, Ltd. (JAE) is an international manufacturer and supplier of electronic components and systems. For over four decades, JAE has provided the electronics industry with solutions to complex design requirements. Since its founding, the Company has strived to contribute to society through market-driven, technology-based global business operations under the philosophy: "Technology to Inspire Innovation."

With worldwide and world-class manufacturing certified to ISO 9001 and QS 9000, JAE has made the commitment to meet the global requirements of our customer. In addition to a network of state of the art manufacturing facilities, JAE has technical service offices located around the world, staffed with experts in connector design and application.

This catalog contains a select overview of JAE Connector Products. For in-depth information on our complete product line, and information on new developments, visit JAE's online catalog at www.jae-connector.com.

Innovative design, quality oriented manufacturing, commitment to our customers and sensitivity to the environment assures JAE's leadership position in the 21st century.

Table of Contents

| Product Series | Contact Spacing | Pages |
|--------------------------------|--------------------------------------|---------|
| SOCKETS/MEMORY PRODUCTS | | |
| PCMCIA | | |
| JC22..... | 1.27mm (.050")..... | 5 |
| COMPACT FLASH | | |
| JC26C2..... | 1.27mm (.050")..... | 6 - 7 |
| JC26E..... | 1.27mm (.050")..... | 8 |
| JC26F..... | 1.27mm (.050")..... | 9 |
| PCI EXPRESS MINI CARD | | |
| MM60..... | 0.8mm (.031")..... | 10 |
| EXPRESSCARD | | |
| PX10/11..... | 1.0mm (.039")..... | 11 - 12 |
| PX20/22..... | 1.0mm (.039") / 0.635mm (.025")..... | 13 - 14 |
| SMART/SIM CARD | | |
| SF2..... | 2.54mm (.100")..... | 15 |
| SF3..... | 2.54mm (.100")..... | 16 |
| SF6..... | 2.54mm (.100")..... | 17 |
| SF7..... | 2.54mm (.100")..... | 18 |
| SF7 (Slim)..... | 2.54mm (.100")..... | 19 |
| SF9..... | 2.54mm (.100")..... | 20 |
| SECURE DIGITAL CARD | | |
| SG5..... | 2.50mm (.098")..... | 21 |
| MINI SECURE DIGITAL CARD (SD) | | |
| ST4..... | 1.1mm (.043")..... | 22 |
| SC1..... | 2.50mm (.098")..... | 23 |
| MICRO SD/TRANSFLASH™ | | |
| ST1..... | 1.1mm (.043")..... | 24 |
| ST2..... | 1.1mm (.043")..... | 25 |

BOARD-TO-BOARD CONNECTOR PRODUCTS

| | | |
|----------------|---------------------|---------|
| BOARD-TO-BOARD | | |
| AA03..... | 0.40mm (.020")..... | 26 |
| WA6..... | 0.40mm (.020")..... | 27 |
| WH1..... | 0.40mm (.020")..... | 28 |
| AA01A..... | 0.50mm (.020")..... | 29 |
| IL-312..... | 0.50mm (.020")..... | 30 |
| WR..... | 0.50mm (.020")..... | 31 - 32 |
| WB3..... | 0.50mm (.020")..... | 33 |
| IL-WX..... | 0.80mm (.031")..... | 34 |
| KX14/15..... | 0.80mm (.031")..... | 35 - 36 |
| PM1..... | 0.80mm (.031")..... | 37 |
| WM1..... | 1.00mm (.039")..... | 38 |
| WM2..... | 1.00mm (.039")..... | 39 |
| TX24/TX25..... | 1.27mm (.050")..... | 40 |

Table of Contents

| Product Series | Contact Spacing | Pages |
|--|----------------------|---------|
| BOARD-TO-BOARD CONNECTOR PRODUCTS | | |
| WIRE-TO-BOARD | | |
| PCB-TO-FPC/FFC | | |
| FB3..... | 0.30mm (.012")..... | 41 |
| FB5..... | 0.30mm (.012")..... | 42 |
| FB6..... | 0.30mm (.012")..... | 43 |
| FF02..... | 0.30mm (.012")..... | 44 |
| FF02S..... | 0.30mm (.012")..... | 45 |
| FB8..... | 0.30mm (.012")..... | 46 |
| FA5..... | 0.50mm (.020")..... | 47 |
| FF03..... | 0.50mm (.020")..... | 48 |
| IL-FPR..... | 0.50mm (.020")..... | 49 |
| | | |
| PCB-TO-CABLE/FPC | | |
| FI-J..... | 0.40mm (.016")..... | 50 - 51 |
| FI-R..... | 0.50mm (.020")..... | 52 - 53 |
| FI-X..... | 1.00mm (.039")..... | 54 - 55 |
| FI..... | 1.25mm (.049")..... | 56 - 58 |
| | | |
| PCB-TO-CABLE | | |
| DX2/3..... | 0.80mm (.031")..... | 59 |
| FI-E..... | 1.00mm (.039")..... | 60 - 61 |
| CN10..... | | 62 - 63 |
| CV10..... | | 64 |
| IL-Z..... | 1.25mm (.049")..... | 65 - 66 |
| IL-S..... | 2.00mm (.079")..... | 67 - 68 |
| LY..... | 2.00mm (.079")..... | 69 |
| KD10/20..... | 2.00mm (.079")..... | 70 |
| IL-G..... | 2.50mm (.098")..... | 71 |
| | | |
| INPUT/OUTPUT CONNECTOR PRODUCTS | | |
| PCB-TO-CABLE | | |
| DD1..... | 0.50mm (.020")..... | 72 - 73 |
| DD2..... | 0.50mm (.020")..... | 74 - 75 |
| DG1..... | 0.50mm (.020")..... | 76 |
| RA1..... | 0.50mm (.020")..... | 77 |
| RC1..... | 0.50mm (.020")..... | 78 |
| DA1..... | 0.60mm (.024")..... | 79 |
| DE1..... | 1.27mm (.050")..... | 80 |
| TX20A..... | 1.27mm (.050")..... | 81 |
| DV2..... | 1.905mm (.075")..... | 82 - 84 |
| | | |
| CIRCULAR | | |
| JN1..... | | 85 - 86 |
| JN2..... | | 87 - 88 |
| JB5..... | | 89 |

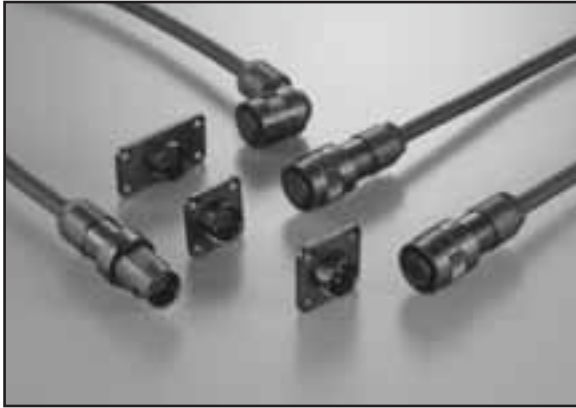
Table of Contents

| <i>Product Series</i> | <i>Contact Spacing</i> | <i>Pages</i> |
|--|------------------------|--------------|
| INPUT/OUTPUT CONNECTOR PRODUCTS | | |
| CIRCULAR | | |
| JL04V | | 90 - 91 |
| JL05 | | 92 - 93 |
| JB1 | | 94 - 95 |
| SRCN | | 96 - 97 |
| N/MS | | 98 - 99 |
| FIBER OPTIC PRODUCTS | | |
| FO-FC | | 100 |
| FO-EX | | 101 |
| AUTOMOTIVE CONNECTOR PRODUCTS | | |
| PCB-TO-CABLE | | |
| MX34 | 1.1mm (.043") | 102 |
| MX7 | 2.30mm (.091") | 103 |
| IL-AG7 | 2.50mm (.098") | 104 |
| MX17 | 2.50mm (.098") | 105 - 106 |
| MX23A | 2.50mm (.098") | 107 - 108 |
| MX10 | 2.50mm (.098") | 109 |
| MX5 | 3.00mm (.118") | 110 |
| PCB-TO-CABLE/CABLE-TO-CABLE | | |
| IL-AG5 | 2.50mm (.098") | 111 |
| IL-AG6 | 2.50mm (.098") | 112 |
| MX9 | 3.50mm (.138") | 113 |
| MX25 | 6.7mm (2.64") | 114 |
| MX36 | 2.50mm (.098") | 115 |
| CABLE-TO-CABLE | | |
| IL-AG9 | 2.50mm (.098") | 116 - 118 |
| MX19 | 2.50mm (.098") | 119 |

- All JAE connector products shown in this catalog are lead free.
- We reserve the right to modify designs in order to improve quality, keep pace with technological advancements or meet particular requirements in production.
- Products shown in this catalog are made for the applications specified. However, if the above-mentioned products are to be used in aerospace devices, marine cable-connection devices, atomic power control systems, medical equipment for life-support systems, or any other specific application requiring extremely high reliability, please contact JAE for further information. Recommended Applications: Computers, Office Machines, Measuring Devices, Telecommunications Devices (Terminals, Mobile Devices) AV Devices, Household Applications, FA Devices, etc.
- Refer to end of catalog for alphabetical index of products.

JN1 SERIES CONNECTORS

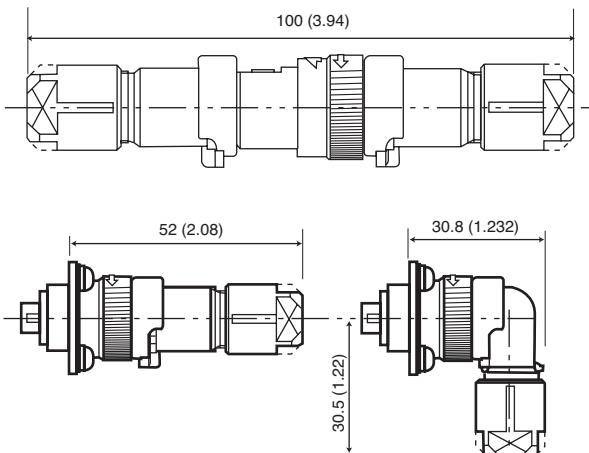
General Purpose Waterproof, Miniature Connectors



FEATURES

- All plastic
- Receptacle connector is available in through hole or solder contacts
- Plug connector is available in solder and crimp contacts (10 pos. only; 4 pos. has solder contacts)
- Waterproof to IP67
- Twisting locking mechanism
- Right angle plug can be mated in 4 different directions by rotating the connector 90 degrees

Connector Profile (Ref.)



Dimensions in mm (inches).

.....

This connector is an all plastic, waterproof to IP67 connector and is available in solder or crimp contacts. The one-touch locking mechanism was developed as an interface for industrial devices.

GENERAL SPECIFICATIONS

| | | |
|---------------------------------|---|---------------|
| Number of Contacts | 4, 10 | |
| Current Rating | 5 Amps (4 pin) 3 Amps (10 pin) per contact | |
| Dielectric Withstanding Voltage | 2000 VAC (4 pin) 900 VAC (10 pin) r.m.s. for one minute | |
| Insulation Resistance | 1000 megohms min. | |
| Contact Resistance | Contact Size | Milliohms max |
| | #21 -24 | 20 |
| | #25 - 26 | 26 |
| | #28 | 36 |
| Operating Temperature | -20°C to +125°C | |
| Applicable Wire Size | #20, #21-25, #26-28 | |

MATERIALS AND FINISHES

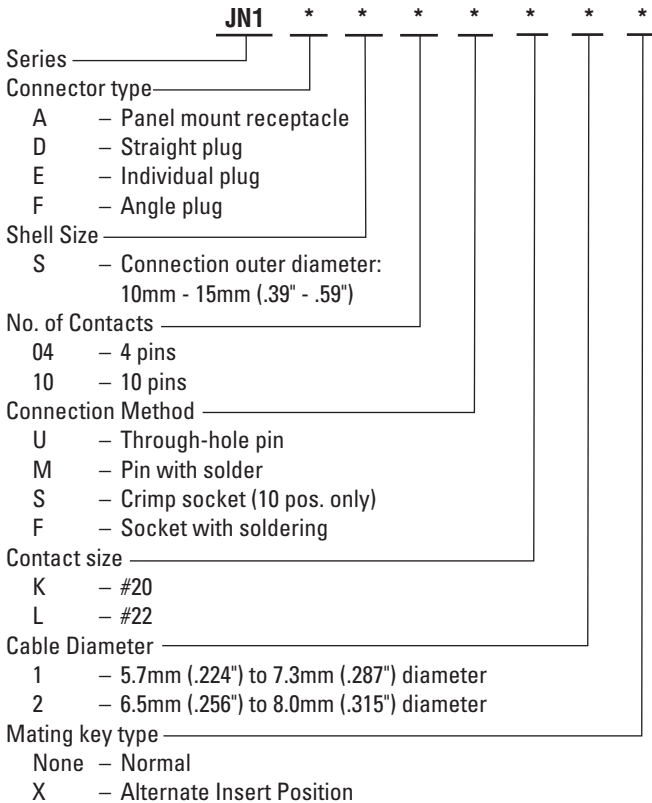
| Description | Materials/Finishes |
|--------------------------|---|
| •Receptacle | |
| Pin Insulator | Synthetic resin |
| Pin Contact | Copper Alloy/ Gold plating (10 pins) Silver plating (4 pins) |
| •Relay Receptacle | |
| Insulator | Synthetic resin |
| Assembly nut | Synthetic resin |
| Straight endbell | Synthetic resin |
| O ring | Synthetic rubber |
| Bushing | Synthetic rubber (Color: black/gray) |
| Gland Nut | Synthetic resin |
| Pin Contact (#22) | Gold plating |
| Pin Contact (#20) | Silver plating |
| •Plug | |
| Front Insulator | Synthetic resin |
| Rear Insulator | Synthetic resin |
| Coupling Nut | Synthetic resin |
| Assembly Nut | Synthetic resin |
| Angle endbell | Synthetic resin |
| Straight endbell | Synthetic resin |
| O Ring | Synthetic rubber |
| Bushing | Synthetic rubber (Color: black/gray) |
| Gland Nut | Synthetic resin |
| Spring | Stainless Steel |
| Spring pin | Stainless Steel |
| Socket contact | Copper alloy/Gold plating (10 pins) Silver plating (4 pins) |

JN1 SERIES CONNECTORS

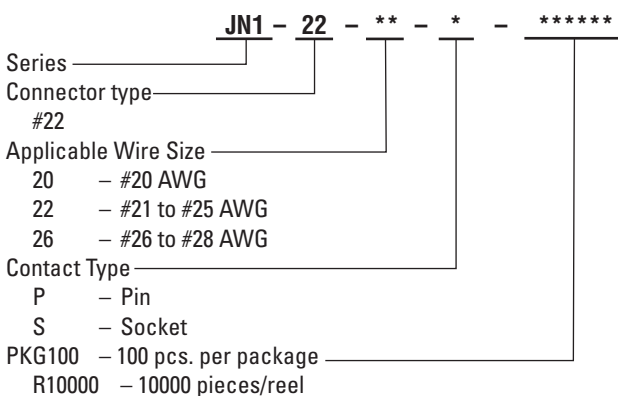
General Purpose Waterproof, Miniature Connectors

ORDERING INFORMATION

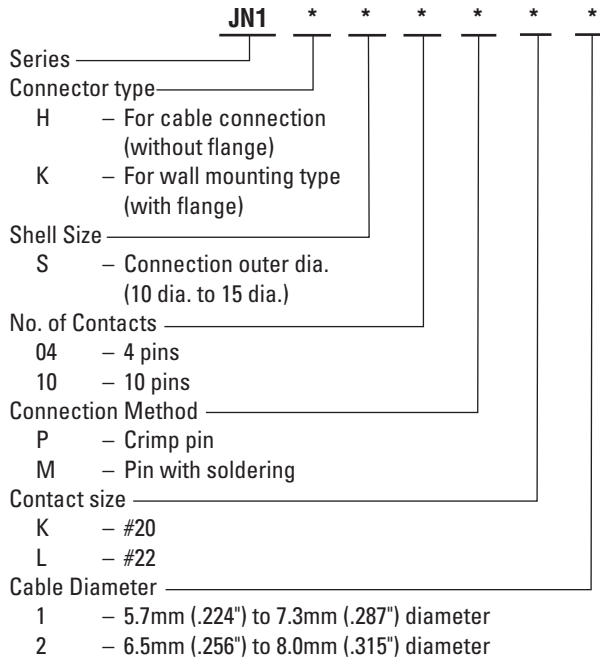
• Receptacle/Plug



• Contacts



• Relay Receptacle



TOOLING

| Hand Tools | |
|---------------|--------------------------------|
| CT150-2-JN1-D | #20, #25 AWG |
| CT150-2-JN1-E | #21, #23, #25 AWG |
| CT150-2-JN1-B | #22 to #24 AWG, #26 to #28 AWG |

Semi Automatic Crimp Machine
 CP215-4B Press
 350-JN1-2C Applicator
 For all wire sizes

Color of bushing is decided by wire size.
 5.7 to 7.3 diameter is black, 6.5 to 8.0 diameter is gray.

Technology to Inspire Innovation

JAE

***“Building Technologies
to Connect Your World”***



Japan Aviation Electronics Industry, Limited

1-19, Aobadai 3-chome, Meguro-ku
Tokyo 153-8539, Japan
Telephone: 03-3780-2736
Fax: 03-3780-2883

JAE Electronics, Inc.

142 Technology Drive, Suite 100
Irvine, California 92618-2430, U.S.A.
Telephone: 949-753-2600
Fax: 949-753-2699
800-523-7278 Toll free in the U.S.A.

JAE Europe

Coliseum Business Centre
Riverside Way, Camberley
Surrey, GU15 3YL, England
Telephone: 44-1276-404000
Fax: 44-1276-404010

JAE Taiwan, Ltd.

4F-1, No. 88, Chung Hsiao E. Rd.
Sec. 2, Taipei, Taiwan, R.O.C.
Telephone: 886-2-2396-7676
Fax: 886-2-2392-5929

JAE Hong Kong, Ltd.

Suites 1407-11, 14/F, Tower 2, The Gateway,
25 Canton Road, Tsimshatsui, Kowloon, Hong Kong
Telephone: 852-2723-7782
Fax: 852-2723-9028

JAE Korea, Inc.

1602, Korea City Air Tower
159-9 Samsung-Dong, Kangnam-ku
Seoul, 135-973, Korea
Telephone: 82-2-551-8959
Fax: 82-2-551-8958

JAE Philippines, Inc.

PEZA Zone, Gateway Business Park, Javalera
General Trias, 4107 Cavite, Philippines
Telephone: 63-46-433-0285
Fax: 63-46-433-0287

JAE Singapore Pte., Ltd.

33 Tannery Lane, #02-01 Hoesteel
Industrial Building
Singapore 347789
Telephone: 65-6748-1332
Fax: 65-6748-2920

JAE Shanghai Co., Ltd.

RM 1407, Shanghai Mart 2299 Yanan Rd.
West Shanghai 200336 P.R.C.
Telephone: 86-21-6236-0322
Fax: 86-21-6236-1292

Mouser Electronics

Authorized Distributor

Click to View Pricing, Inventory, Delivery & Lifecycle Information:

JAE Electronics:

[JN1AS04MK1](#) [JN1DS04FK2](#) [JN1DS04FK1](#) [JN1AS10UL1](#) [JN1-22-20S-R-PKG100](#) [JN1-22-26P-10000](#) [JN1-22-22F-PKG100](#) [JN1HS10PL1](#) [JN2DW05MH3T](#) [JN1-22-20S-R-10000](#) [CT150-2-JN1-D](#) [CT150-2-JN1-B](#) [CT150-2-JN1-E](#)

Компания «Океан Электроники» предлагает заключение долгосрочных отношений при поставках импортных электронных компонентов на взаимовыгодных условиях!

Наши преимущества:

- Поставка оригинальных импортных электронных компонентов напрямую с производств Америки, Европы и Азии, а так же с крупнейших складов мира;
- Широкая линейка поставок активных и пассивных импортных электронных компонентов (более 30 млн. наименований);
- Поставка сложных, дефицитных, либо снятых с производства позиций;
- Оперативные сроки поставки под заказ (от 5 рабочих дней);
- Экспресс доставка в любую точку России;
- Помощь Конструкторского Отдела и консультации квалифицированных инженеров;
- Техническая поддержка проекта, помощь в подборе аналогов, поставка прототипов;
- Поставка электронных компонентов под контролем ВП;
- Система менеджмента качества сертифицирована по Международному стандарту ISO 9001;
- При необходимости вся продукция военного и аэрокосмического назначения проходит испытания и сертификацию в лаборатории (по согласованию с заказчиком);
- Поставка специализированных компонентов военного и аэрокосмического уровня качества (Xilinx, Altera, Analog Devices, Intersil, Interpoint, Microsemi, Actel, Aeroflex, Peregrine, VPT, Syfer, Eurofarad, Texas Instruments, MS Kennedy, Miteq, Cobham, E2V, MA-COM, Hittite, Mini-Circuits, General Dynamics и др.);

Компания «Океан Электроники» является официальным дистрибьютором и эксклюзивным представителем в России одного из крупнейших производителей разъемов военного и аэрокосмического назначения «JONHON», а так же официальным дистрибьютором и эксклюзивным представителем в России производителя высокотехнологичных и надежных решений для передачи СВЧ сигналов «FORSTAR».



JONHON

«JONHON» (основан в 1970 г.)

Разъемы специального, военного и аэрокосмического назначения:

(Применяются в военной, авиационной, аэрокосмической, морской, железнодорожной, горно- и нефтедобывающей отраслях промышленности)

«FORSTAR» (основан в 1998 г.)

ВЧ соединители, коаксиальные кабели, кабельные сборки и микроволновые компоненты:

(Применяются в телекоммуникациях гражданского и специального назначения, в средствах связи, РЛС, а так же военной, авиационной и аэрокосмической отраслях промышленности).



Телефон: 8 (812) 309-75-97 (многоканальный)

Факс: 8 (812) 320-03-32

Электронная почта: ocean@oceanchips.ru

Web: <http://oceanchips.ru/>

Адрес: 198099, г. Санкт-Петербург, ул. Калинина, д. 2, корп. 4, лит. А