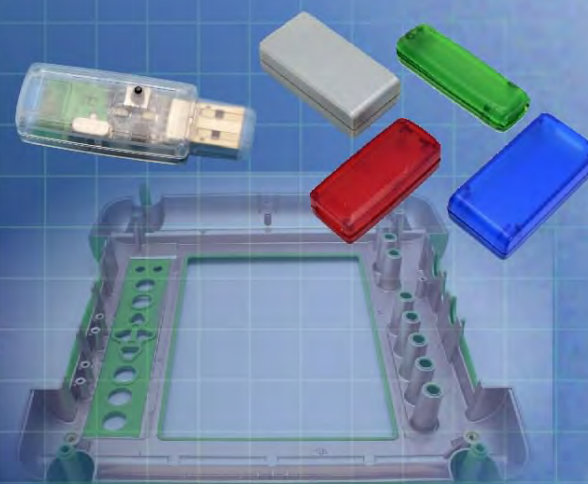


Ordering a market-ready enclosure® is made fast and affordable with our complete in-house capabilities. New Age provides machined openings to fit your PCB, pad printing for your graphics, custom enclosures, custom colors, final assembly, testing and fulfillment services to save you additional time and money. Ask your representative for a free quote today 805-595-1310.

## ***Fast and Affordable Customization***

**CNC Modifications  
Pad Printing  
Colored Resins  
EMI/RF Shielding  
Custom Enclosure  
Assembly & Testing**



ISO quality  
off-the-shelf  
to market-ready®

# **NEW AGE ENCLOSURES**

[www.NewAgeEnclosures.com](http://www.NewAgeEnclosures.com)

4330 Santa Fe Road • San Luis Obispo, CA 93401 • T 805.595.1310 • F 805.595.1024

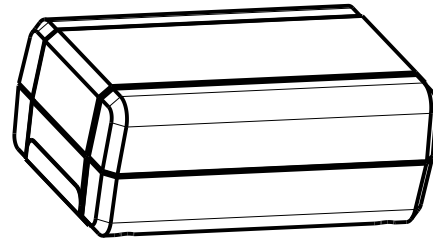
**NOTES: UNLESS OTHERWISE SPECIFIED**

1. CORNERS DRAWN SHARP TO BE R.005 MAXIMUM.
2. EXTERIOR SURFACE TEXTURE TO BE LIGHT EDM FINISH. EQUIVALENT TO MT-11020.
3. INTERIOR SURFACE TEXTURE TO BE: NONE
4. ALL INSIDE RADII .010R. ALL OUTSIDE RADII .020R MAX, UNLESS OTHERWISE SPECIFIED.
5. ALL EXTERNAL DIMENSIONS AFFECTED BY THE DRAFT APPLY AT THE LARGE END OF THE FEATURE, AND ALL INTERNAL FEATURES AFFECTED BY THE DRAFT APPLY AT THE SMALL END OF THE FEATURE UNLESS OTHERWISE SPECIFIED.
6. 1 DEGREE DRAFT IN THE DIRECTION OF PULL IS PERMISSIBLE UNLESS OTHERWISE SPECIFIED.
7. MATERIAL / COLOR: ABS PLASTIC IS STANDARD IN BLACK OR WHITE. CUSTOM MATERIALS AND COLORS ARE AVAILABLE UPON REQUEST FOR QUOTE.
8. PCB SIZES ARE RECOMMENDATIONS ONLY. FINAL SIZES AND VERIFICATION OF ITS FIT ARE THE SOLE RESPONSIBILITY OF EACH CUSTOMER.
9. ASSEMBLY HARDWARE PROVIDED. BATTERY CONTACTS SOLD SEPERATELY
10. THIS DRAWING IS BASED ON A SOLID MODEL, AND IS FURTHER DEFINED BY THE SOLID MODEL FILE.

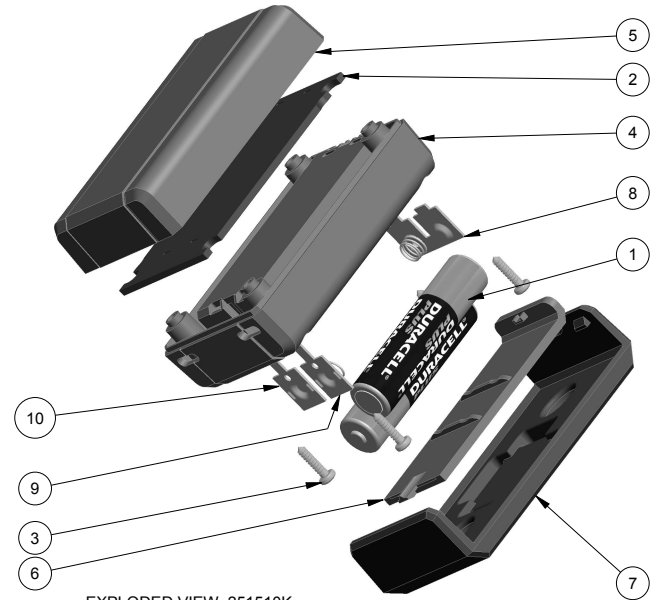
**R E V I S I O N**

REV.	DRAWN BY	ECO No	DESCRIPTION	DATE	APPROVED
1	M BOYER		PRELIMINARY RELEASE	16-Mar-2009	D.C.
2	M BOYER	2109	UPDATE MODEL, ADD DRAFT AND FORMAT	18-Apr-2009	D.C.
3	M BOYER	4309	ADD SURFACE CALLOUT AND MODIFY HATCH	14-Dec-2009	D.C.
3.1	M BOYER	0710	UPDATE FORMAT	20-Mar-2010	D.C.
4.0	M BOYER	1210	ADD CORING IN REAR	04-May-2010	D.C.
4.1	M BOYER	2810	UPDATE VIEWS AND 2ND-OP PAGE	28-Jul-2010	D.C.
5.0	R CRUZ	7713	ADD "TALL" CONFIGURATION	01-Nov-2013	D.C.
6.0	R CRUZ	2214	INCLUDE WALL CRADLE OPTION	19-May-2014	D.C.
7.0	M BOYER	0814	CHANGE TEXTURE CALLOUT	21-May-2014	D.C.
7.1	R CRUZ	0361	UPDATE WALL CRADLE DIMENSIONS TO AS BUILT	18-Jun-2014	D.C.
8.0	M BOYER	5214	REMOVE TALL CONFIG AND INCLUDE PCB NOTCH	15-Dec-2014	

251510(x) CONFIGURATIONS			
	-Blank	-K	-WP
251510 COVER	1	1	
251510 BASE	1		
251510 MACHINED BASE		1	
251510 HATCH	1	1	
251510 WALL CRADLE		1	1
#2 HILO SCREW .375"	4	4	



STANDARD 251510  
SCALE 0.750



EXPLODED VIEW 251510K  
SCALE 0.600

10	AAA-SINGL-CONTACT-POS	ACC-AAAPOS-5226	SPRING STEEL	SOLD SEPERATELY	1
9	AAA-SINGL-CONTACT-NEG	ACC-AAANEG-5204	SPRING STEEL	SOLD SEPERATELY	1
8	AAA-DBL-CONTACT	ACC-AAADBL-5214L	SPRING STEEL	SOLD SEPERATELY	1
7	251510_WALL-CRADLE	251510 WALL CRADLE - STANDARD	ABS	BLACK or WHITE	1
6	251510_HATCH	251510 HATCH - STANDARD	ABS	BLACK or WHITE	1
5	251510_COVER	251510 COVER - STANDARD	ABS	BLACK or WHITE	1
4	251510_BASE	251510 BASE - STANDARD	ABS	BLACK or WHITE	1
3	NO_2_HI-LO_SCREW	No2 HI-LO x .375"	STEEL	3/8" LONG	4
2	251510_PCB	REFERENCE ONLY	CUSTOMER SUPPLIED	.062" THICK	1
1	AAA-BATTERY	REFERENCE ONLY	CUSTOMER SUPPLIED	"AAA" SIZE	2
ITEM	FILE NAME	DESCRIPTION	MATERIAL	COLOR	QTY.

**BILL OF MATERIALS**

THIRD ANGLE PROJECTION  
DO NOT SCALE DRAWING

TOLERANCES: UNLESS OTHERWISE SPECIFIED  
DIMENSIONS ARE IN U.S. INCHES.  
X.XX = .015 X.XXXX = .001  
X.XXX = .010 X.X" = 1°

NEW AGE ENCLOSURES  
Customer's Part No: 251510

APPROVAL	BY	DATE
CHECK		
ENG.		
SCALE	AS NOTED	

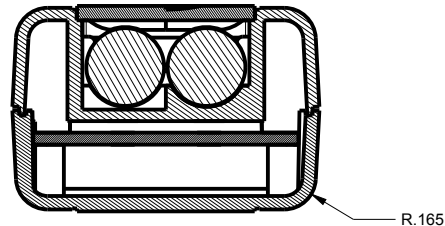
DRAWN BY  
M BOYER  
16-Mar-2009

**NEW AGE ENCLOSURES**  
4330 Santa Fe Road San Luis Obispo, CA. 93401  
ph. (805) 595-1310 fax (805) 595-1024  
[www.newageenclosures.com](http://www.newageenclosures.com)

**STANDARD - MINI AAA  
SXX-251510X ASSEMBLY**

SIZE	DRAWING NAME	SHEET	REV.DOC
A	251510_R8_0	1 OF 8	8.0

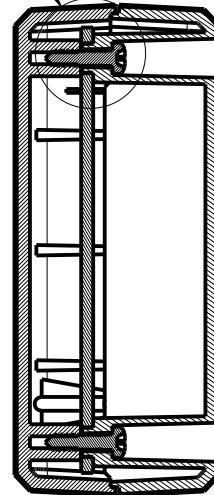
SECTION C-C



R.165

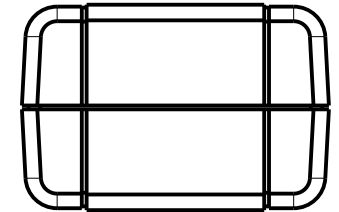
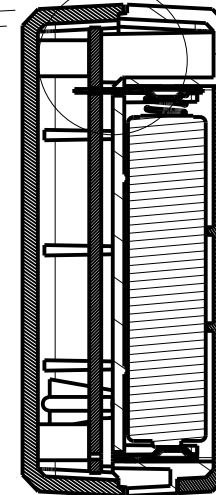
P ← F ←

SEE DETAIL B

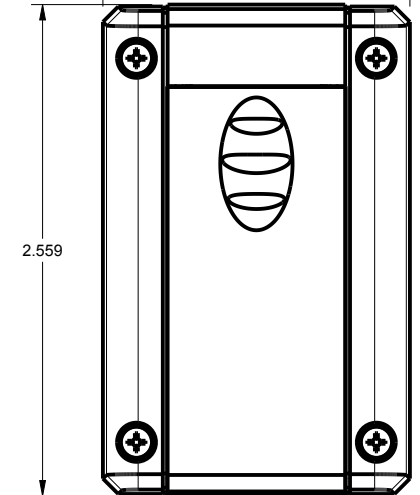


.080

SEE DETAIL A



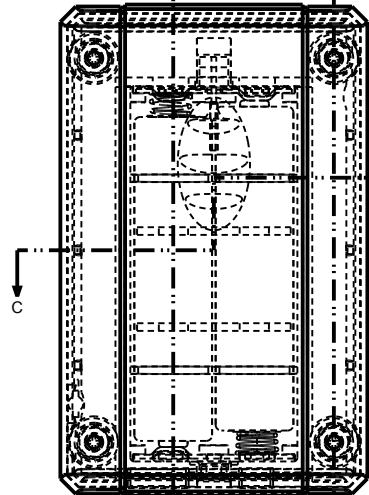
1.599



2.559

.925

SCALE 1.000



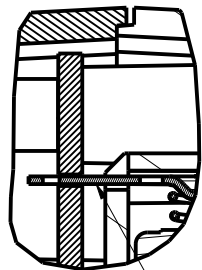
C ↓

C ↓

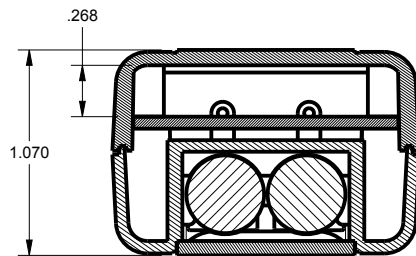
P ← F ←

SECTION F-F

SECTION P-P



DETAIL A  
SCALE 2.000

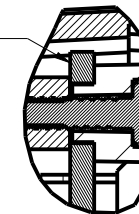


1.070

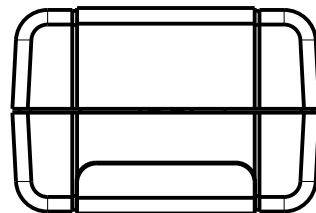
.268

SECTION Y-Y

PCB CAPTURED



DETAIL B  
SCALE 2.000



NOTE: BATTERY CONTACT TABS CAN BE PUSHED THROUGH THE PCB AND SOLDERED TO THE SURFACE OR THE TAB CAN BE BENT BACK AT 90° AND WIRED.

TOLERANCES: UNLESS OTHERWISE SPECIFIED  
DIMENSIONS ARE IN U.S. INCHES.  
X.XX = .015 X.XXXX = .001  
X.XXX = .010 X.X° = 1°

NEW AGE ENCLOSURES

Customer's Part No: 251510

APPROVAL BY DATE

CHECK

ENG.

SCALE AS NOTED

DRAWN BY M BOYER 16-Mar-2009

**NEW AGE ENCLOSURES**

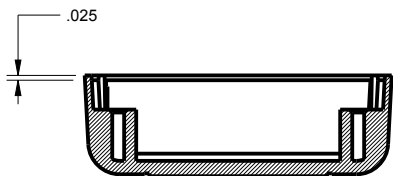
4330 Santa Fe Road San Luis Obispo, CA. 93401  
ph. (805) 595-1310 fax (805) 595-1024  
[www.newageenclosures.com](http://www.newageenclosures.com)

**STANDARD - MINI AAA  
SXX-251510X ASSEMBLY**

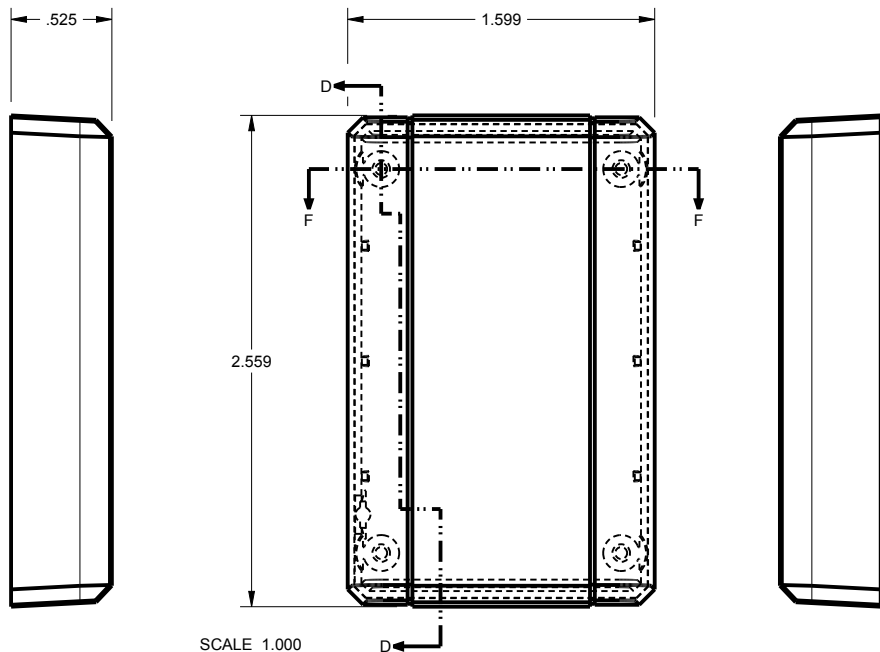
SIZE A DRAWING NAME 251510\_R8\_0

SHEET 2 OF 8 REV.DOC 8.0

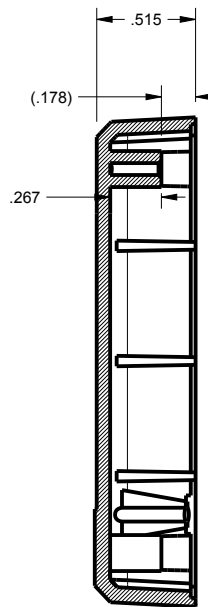
S251510 - COVER



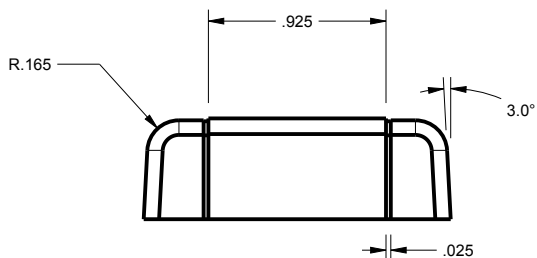
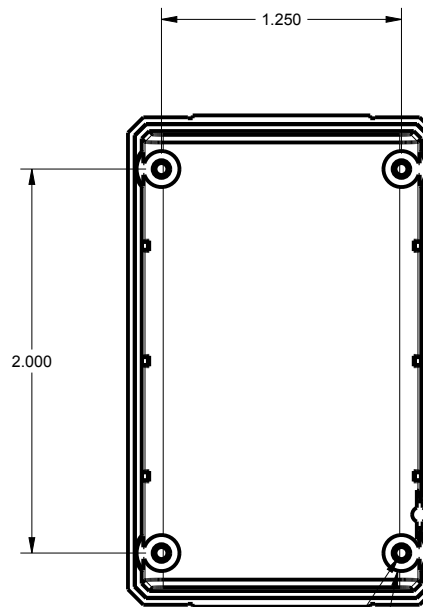
SECTION F-F



SCALE 1.000



251510 STANDARD SECTION D-D



TOLERANCES: UNLESS OTHERWISE SPECIFIED  
DIMENSIONS ARE IN U.S. INCHES.  
X.XX = .015 X.XXXX = .001  
X.XXX = .010 X.X° = 1°

NEW AGE ENCLOSURES  
Customer's Part No: 251510

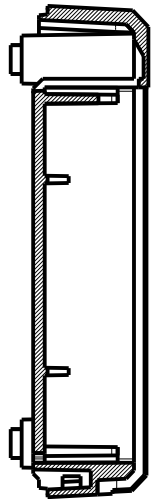
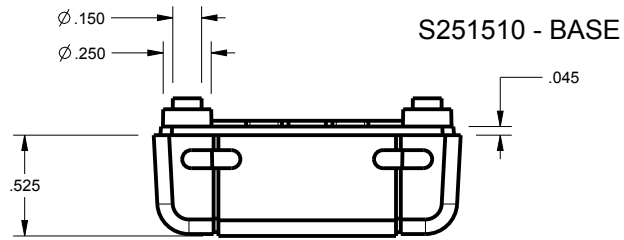
APPROVAL	BY	DATE
CHECK		
ENG.		
SCALE	AS NOTED	

DRAWN BY	16-Mar-2009
M BOYER	

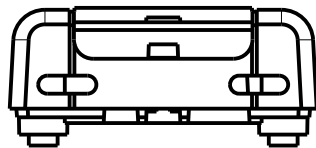
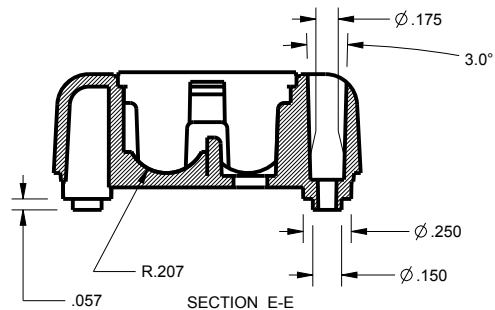
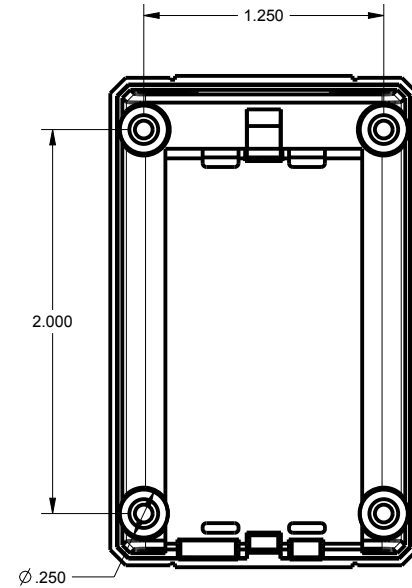
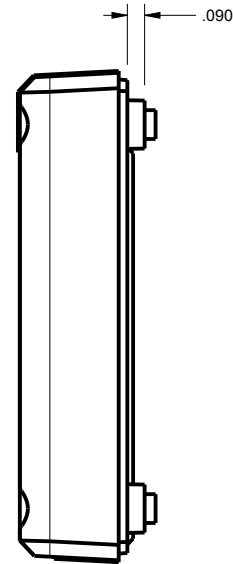
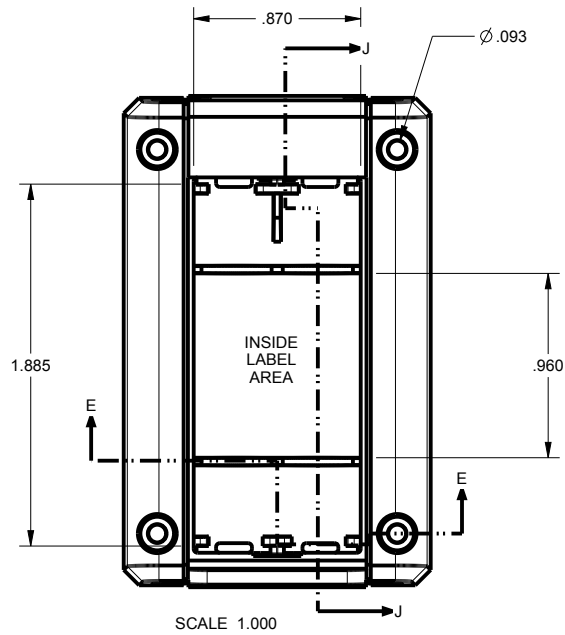
**NEW AGE ENCLOSURES**  
4330 Santa Fe Road San Luis Obispo, CA. 93401  
ph. (805) 595-1310 fax (805) 595-1024  
[www.newageenclosures.com](http://www.newageenclosures.com)

**STANDARD - MINI AAA  
SXX-251510X ASSEMBLY**

SIZE	DRAWING NAME	SHEET	REV.DOC
A	251510_R8_0	3 OF 8	8.0



SECTION J-J



TOLERANCES: UNLESS OTHERWISE SPECIFIED  
DIMENSIONS ARE IN U.S. INCHES.  
X.XX = .015 X.XXXX = .001  
X.XXX = .010 X.X° = 1°

NEW AGE ENCLOSURES

Customer's Part No: 251510

APPROVAL BY DATE

CHECK

ENG.

SCALE AS NOTED

DRAWN BY M BOYER 16-Mar-2009

**NEW AGE ENCLOSURES**

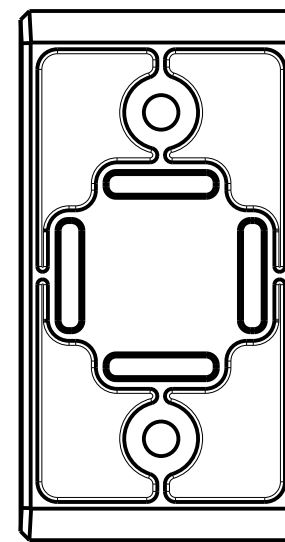
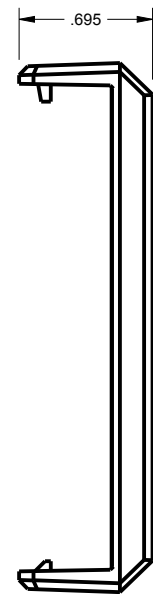
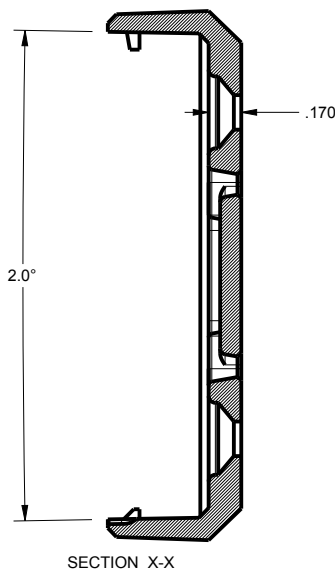
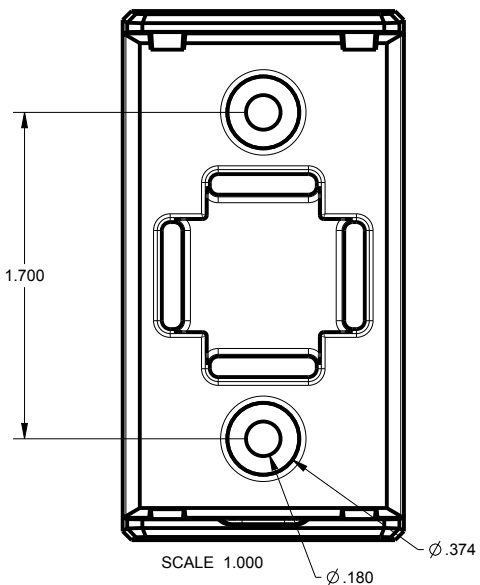
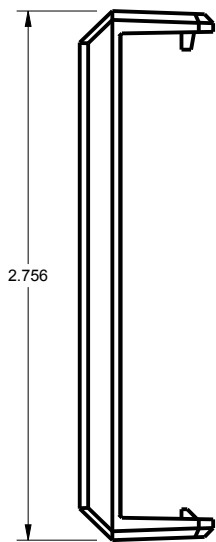
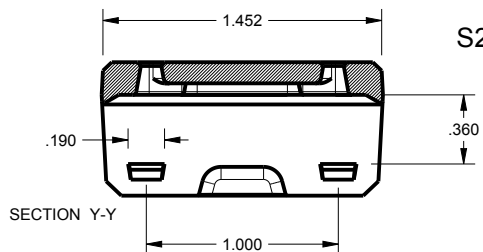
4330 Santa Fe Road San Luis Obispo, CA. 93401  
ph. (805) 595-1310 fax (805) 595-1024  
[www.newageenclosures.com](http://www.newageenclosures.com)

STANDARD - MINI AAA  
SXX-251510X ASSEMBLY

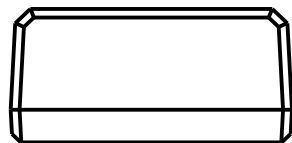
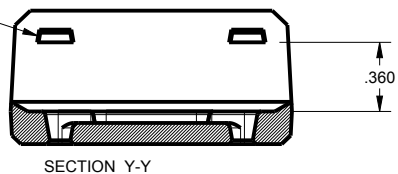
SIZE A DRAWING NAME 251510\_R8\_0

SHEET 4 OF 8 REV.DOC 8.0

S251510 - WALL CRADLE



2nd OPERATION REQUIRED  
ON 251510 BASE  
TO ACCEPT CRADLE TABS



TOLERANCES: UNLESS OTHERWISE SPECIFIED  
DIMENSIONS ARE IN U.S. INCHES.  
X.XX = .015 X.XXXX = .001  
X.XXX = .010 X.X° = 1°

NEW AGE ENCLOSURES  
Customer's Part No: 251510

APPROVAL	BY	DATE
CHECK		
ENG.		
SCALE	AS NOTED	

DRAWN BY  
M BOYER

16-Mar-2009

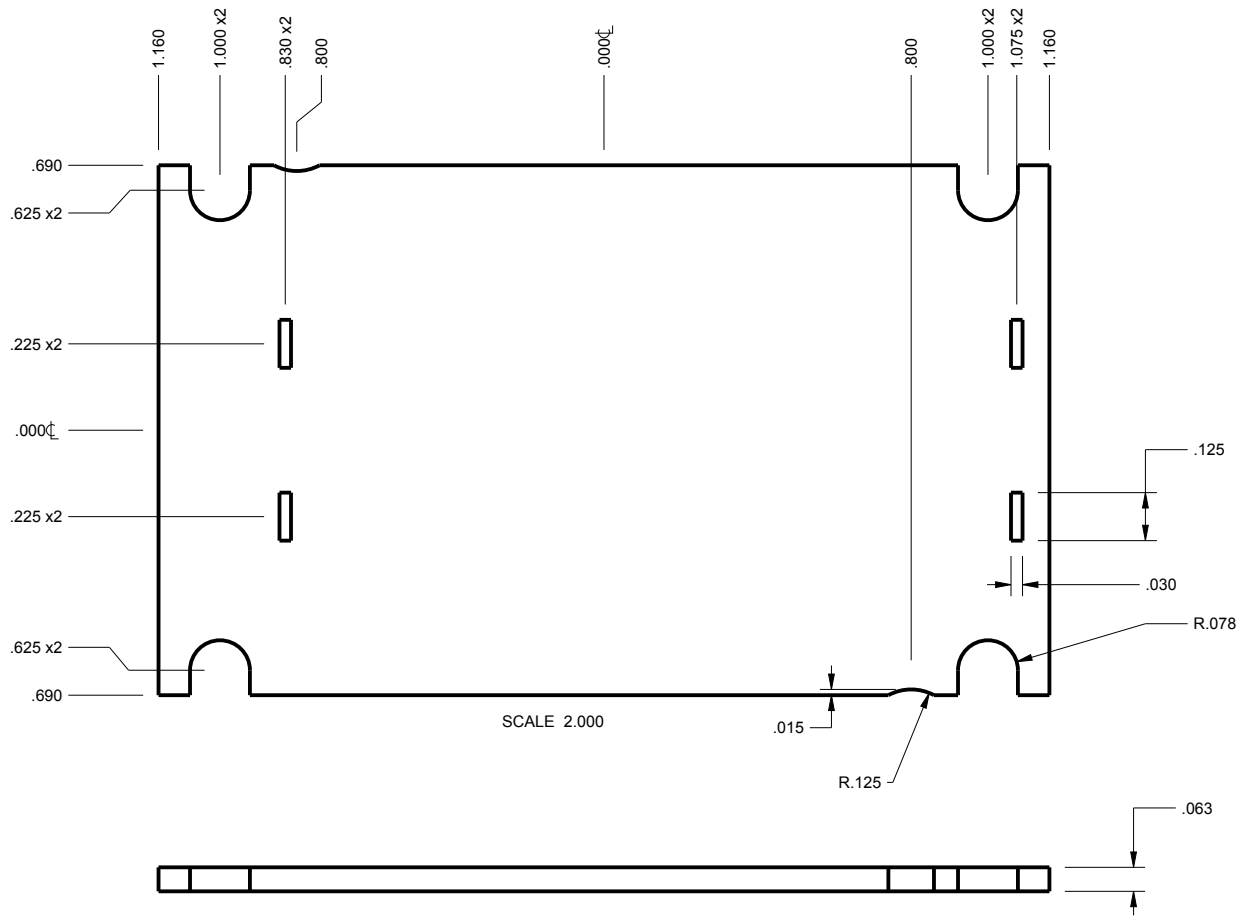
**NEW AGE ENCLOSURES**

4330 Santa Fe Road San Luis Obispo, CA. 93401  
ph. (805) 595-1310 fax (805) 595-1024  
[www.newageenclosures.com](http://www.newageenclosures.com)

STANDARD - MINI AAA  
SXX-251510X ASSEMBLY

SIZE A	DRAWING NAME 251510_R8_0	SHEET 5 OF 8	REV.DOC 8.0
-----------	-----------------------------	-----------------	----------------

S251510 - PCB



SCALE 2.000

NOTE  
1. BATTERY CONNECTION POINTS SHOWN AT BOTH ENDS  
TO ALLOW ALTERNATE ASSEMBLY OPTION.

TOLERANCES: UNLESS OTHERWISE SPECIFIED  
DIMENSIONS ARE IN U.S. INCHES.  
X.XX = .015 X.XXXX = .001  
X.XXX = .010 X.X° = 1°

NEW AGE ENCLOSURES  
Customer's Part No: 251510

APPROVAL BY DATE

CHECK

ENG.

SCALE AS NOTED

DRAWN BY M BOYER 16-Mar-2009

**NEW AGE ENCLOSURES**

4330 Santa Fe Road San Luis Obispo, CA. 93401  
ph. (805) 595-1310 fax (805) 595-1024  
[www.newageenclosures.com](http://www.newageenclosures.com)

**STANDARD - MINI AAA  
SXX-251510X ASSEMBLY**

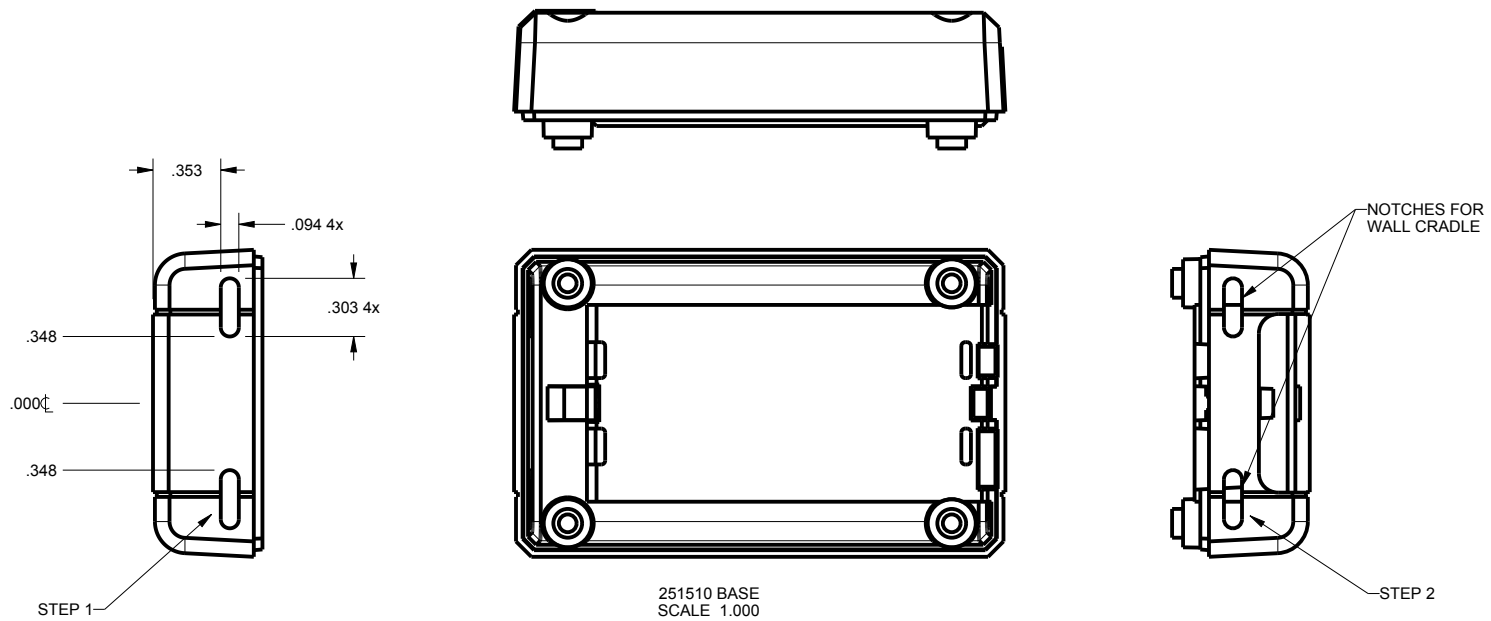
SIZE A DRAWING NAME 251510\_R8\_0

SHEET 6 OF 8 REV.DOC 8.0



## 2nd OPERATION DETAILS (PAGE 1 OF 2)

NEW AGE ENCLOSURES DELIVERS YOUR ENCLOSURE MARKET-READY WITH IN-HOUSE  
CNC MACHINING, PAD PRINTING, ASSEMBLY, AND FULFILLMENT.  
ALL SURFACES AND AREAS ARE AVAILABLE FOR CNC ALTERATION BY NEW AGE ENCLOSURES  
CALL (805) 595-1310 FOR PRICING AND SCHEDULE.  
THE INSIDE RADIUS OF ANY MACHINED FEATURES SHOULD BE NO SMALLER THAN .031"

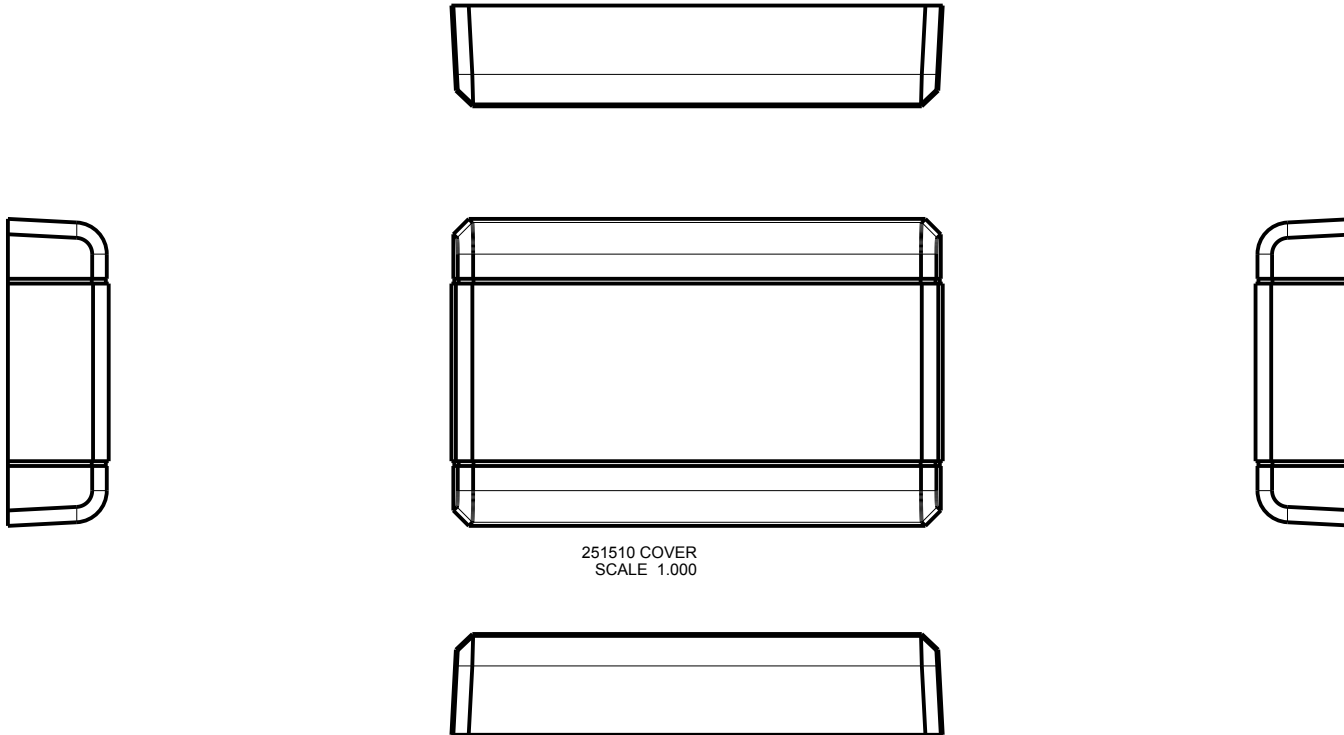


SXX-251510X-XXX BASE - ABS, BLACK					
STEP NO	DESCRIPTION	CUTTER	FIXTURE	ORIENTATION	PROGRAM
1-B-C1	CRADLE NOTCHES	T2 = .062" EM	190	SINGLE	-
2-B-C2	CRADLE NOTCHES	T2 = .062" EM	190	SINGLE	-

TOLERANCES: UNLESS OTHERWISE SPECIFIED DIMENSIONS ARE IN U.S. INCHES. X.XX = .015 X.XXXX = .001 X.XXX = .010 X.X° = 1°		<b>NEW AGE ENCLOSURES</b>		4330 Santa Fe Road San Luis Obispo, CA. 93401 ph. (805) 595-1310 fax (805) 595-1024 <a href="http://www.newageenclosures.com">www.newageenclosures.com</a>				
NEW AGE ENCLOSURES		Customer's Part No: 251510		<b>STANDARD - MINI AAA SXX-251510X ASSEMBLY</b>				
APPROVAL	BY	DATE						
CHECK								
ENG.								
SCALE		AS NOTED						
DRAWN BY		16-Mar-2009		SIZE	DRAWING NAME	SHEET	REV.DOC	
M BOYER				A	251510_R8_0	7 OF 8	8.0	

## 2nd OPERATION DETAILS (PAGE 2 OF 2)

NEW AGE ENCLOSURES DELIVERS YOUR ENCLOSURE MARKET-READY WITH IN-HOUSE  
CNC MACHINING, PAD PRINTING, ASSEMBLY, AND FULFILLMENT.  
ALL SURFACES AND AREAS ARE AVAILABLE FOR CNC ALTERATION BY NEW AGE ENCLOSURES  
CALL (805) 595-1310 FOR PRICING AND SCHEDULE.  
THE INSIDE RADIUS OF ANY MACHINED FEATURES SHOULD BE NO SMALLER THAN .031"



251510 COVER  
SCALE 1.000

TOLERANCES: UNLESS OTHERWISE SPECIFIED  
DIMENSIONS ARE IN U.S. INCHES.  
X.XX = .015 X.XXXX = .001  
X.XXX = .010 X.X° = 1°

**NEW AGE ENCLOSURES**

Customer's Part No: 251510

**NEW AGE ENCLOSURES**

4330 Santa Fe Road San Luis Obispo, CA. 93401  
ph. (805) 595-1310 fax (805) 595-1024  
[www.newageenclosures.com](http://www.newageenclosures.com)

### SXX-251510X-XXX COVER - ABS, BLACK

STEP NO	DESCRIPTION	CUTTER	FIXTURE	ORIENTATION	PROGRAM
1-C-C1	-	T2 = .062" EM	190	-	-
2-C-C2	-	T2 = .062" EM	190	-	-

APPROVAL	BY	DATE
CHECK		
ENG.		
SCALE	AS NOTED	
DRAWN BY		
M BOYER		16-Mar-2009

<b>STANDARD - MINI AAA SXX-251510X ASSEMBLY</b>		SIZE	DRAWING NAME	SHEET	REV.DOC
		A	251510_R8_0	8 OF 8	8.0

# Mouser Electronics

Authorized Distributor

Click to View Pricing, Inventory, Delivery & Lifecycle Information:

[New Age Enclosures:](#)

[S1A-251510](#) [S3A-251510](#) [S3A-251510-K](#) [S1A-251510-K](#)

Компания «Океан Электроники» предлагает заключение долгосрочных отношений при поставках импортных электронных компонентов на взаимовыгодных условиях!

Наши преимущества:

- Поставка оригинальных импортных электронных компонентов напрямую с производств Америки, Европы и Азии, а так же с крупнейших складов мира;
- Широкая линейка поставок активных и пассивных импортных электронных компонентов (более 30 млн. наименований);
- Поставка сложных, дефицитных, либо снятых с производства позиций;
- Оперативные сроки поставки под заказ (от 5 рабочих дней);
- Экспресс доставка в любую точку России;
- Помощь Конструкторского Отдела и консультации квалифицированных инженеров;
- Техническая поддержка проекта, помощь в подборе аналогов, поставка прототипов;
- Поставка электронных компонентов под контролем ВП;
- Система менеджмента качества сертифицирована по Международному стандарту ISO 9001;
- При необходимости вся продукция военного и аэрокосмического назначения проходит испытания и сертификацию в лаборатории (по согласованию с заказчиком);
- Поставка специализированных компонентов военного и аэрокосмического уровня качества (Xilinx, Altera, Analog Devices, Intersil, Interpoint, Microsemi, Actel, Aeroflex, Peregrine, VPT, Syfer, Eurofarad, Texas Instruments, MS Kennedy, Miteq, Cobham, E2V, MA-COM, Hittite, Mini-Circuits, General Dynamics и др.);

Компания «Океан Электроники» является официальным дистрибьютором и эксклюзивным представителем в России одного из крупнейших производителей разъемов военного и аэрокосмического назначения «JONHON», а так же официальным дистрибьютором и эксклюзивным представителем в России производителя высокотехнологичных и надежных решений для передачи СВЧ сигналов «FORSTAR».



## JONHON

«JONHON» (основан в 1970 г.)

Разъемы специального, военного и аэрокосмического назначения:

(Применяются в военной, авиационной, аэрокосмической, морской, железнодорожной, горно- и нефтедобывающей отраслях промышленности)

«FORSTAR» (основан в 1998 г.)

ВЧ соединители, коаксиальные кабели, кабельные сборки и микроволновые компоненты:

(Применяются в телекоммуникациях гражданского и специального назначения, в средствах связи, РЛС, а так же военной, авиационной и аэрокосмической отраслях промышленности).



Телефон: 8 (812) 309-75-97 (многоканальный)

Факс: 8 (812) 320-03-32

Электронная почта: [ocean@oceanchips.ru](mailto:ocean@oceanchips.ru)

Web: <http://oceanchips.ru/>

Адрес: 198099, г. Санкт-Петербург, ул. Калинина, д. 2, корп. 4, лит. А