



# IDC Plug: WTB Through Wire Cap/Wire Stop Cap

## Series 14-9159



AVX developed the 9159 Series of SMT connectors for co-planar PCB mating for the challenging Solid State Lighting (SSL) market. These connectors needed to be small, low in height, carry up to 5 Amps/contact and then function up to 125C for extended periods. This application has been very unique to the SSL market where PCB's are stacked end-to-end to create linear strip lighting in everything from office to transportation applications where products are exposed to harsh mechanical and environmental environments.

The IDC cable plug connector allows for 22-24AWG discrete or cabled wires to be easily and reliability terminated into a 9159 standard interface socket connector. This will allow power and signals to be connectors onto a PCB socket connector while providing positive latching. The wire assembly support block allows for 2 through 6 wires to be terminated all in one step with any standard bench top press. IDC covers provide both through (daisy chain applications) and wire stop termination options.

### APPLICATIONS

- Provides Wire-to-Board capabilities to standard 9159 2-Piece connector system
- In conjunction with the IDC socket WTB connector (24-9159), these connectors provide maximum flexibility to bring power and signal wires onto or off of any board level 9159 connector
- Reference application notes 201-01-123
- Reference Product Specification 201-01-119

### FEATURES AND BENEFITS

- Mates with standard 9159 horizontal socket, keeping same BTB connector system
- Economical and reliable IDC wire termination
- Gold plated BeCu contact system for high reliability in harsh environments
- Integrally molded latch offers positive latching after mating

### ELECTRICAL

- Current Rating: 5 Amps / Contact
- Voltage Rating: 125 VAC

### ENVIRONMENTAL

- Operating Temperature: -40°C to +125°C

### MECHANICAL

- Insulator Material: Nylon: UL94V0
- Contact Material: Phosphor Bronze
- Plating: Gold / Tin over Nickel
- Durability: 10 Cycles

### HOW TO ORDER

| <b>14</b>                                     | <b>9159</b>                   | <b>XXX</b>   | <b>1</b>                                  | <b>X</b>               | <b>2</b>                 | <b>X</b>         | <b>X</b>    | <b>6</b>       |     |   |         |     |   |         |     |   |         |     |   |         |     |   |         |               |  |  |     |   |         |     |   |         |     |   |         |     |   |         |     |   |         |  |      |       |              |   |       |          |  |      |            |             |   |              |  |   |           |  |   |      |         |   |                               |
|---|-------------------------------|--|---|------------------------|--------------------------|------------------|-------------|----------------|-----|---|---------|-----|---|---------|-----|---|---------|-----|---|---------|-----|---|---------|---------------|--|--|-----|---|---------|-----|---|---------|-----|---|---------|-----|---|---------|-----|---|---------|--|------|-------|--------------|---|-------|----------|--|------|------------|-------------|---|--------------|--|---|-----------|--|---|------|---------|---|-------------------------------|
| Prefix  | Series                        | Number of Ways   | 2 Part PCB Strip Connector                | Wire Gauge             | Wire Insulation Diameter | Color Options    | Cap Options | Plating Option |     |   |         |     |   |         |     |   |         |     |   |         |     |   |         |               |  |  |     |   |         |     |   |         |     |   |         |     |   |         |     |   |         |  |      |       |              |   |       |          |  |      |            |             |   |              |  |   |           |  |   |      |         |   |                               |
| Right Angle<br>Wired Plug<br>IDC Terminations |                               |  | 2 Part<br>Wired IDC<br>Strip<br>Connector | 2 = 22AWG<br>3 = 24AWG | ø1.10mm<br>to ø1.60mm    |                  |             |                |     |   |         |     |   |         |     |   |         |     |   |         |     |   |         |               |  |  |     |   |         |     |   |         |     |   |         |     |   |         |     |   |         |  |      |       |              |   |       |          |  |      |            |             |   |              |  |   |           |  |   |      |         |   |                               |
|   |                               | <table border="1"> <thead> <tr> <th>Code</th> <th>No of Ways</th> <th>Details</th> </tr> </thead> <tbody> <tr> <td colspan="3">THROUGH WIRE CAP</td> </tr> <tr> <td>002</td> <td>2</td> <td>Page 25</td> </tr> <tr> <td>003</td> <td>3</td> <td>Page 26</td> </tr> <tr> <td>004</td> <td>4</td> <td>Page 27</td> </tr> <tr> <td>005</td> <td>5</td> <td>Page 28</td> </tr> <tr> <td>006</td> <td>6</td> <td>Page 29</td> </tr> <tr> <td colspan="3">WIRE STOP CAP</td> </tr> <tr> <td>002</td> <td>2</td> <td>Page 30</td> </tr> <tr> <td>003</td> <td>3</td> <td>Page 31</td> </tr> <tr> <td>004</td> <td>4</td> <td>Page 32</td> </tr> <tr> <td>005</td> <td>5</td> <td>Page 33</td> </tr> <tr> <td>006</td> <td>6</td> <td>Page 34</td> </tr> </tbody> </table> | Code                                      | No of Ways             | Details                  | THROUGH WIRE CAP |             |                | 002 | 2 | Page 25 | 003 | 3 | Page 26 | 004 | 4 | Page 27 | 005 | 5 | Page 28 | 006 | 6 | Page 29 | WIRE STOP CAP |  |  | 002 | 2 | Page 30 | 003 | 3 | Page 31 | 004 | 4 | Page 32 | 005 | 5 | Page 33 | 006 | 6 | Page 34 | <table border="1"> <thead> <tr> <th>Code</th> <th>Color</th> <th>Availability</th> </tr> </thead> <tbody> <tr> <td>1</td> <td>White</td> <td>Standard</td> </tr> </tbody> </table> | Code | Color | Availability | 1 | White | Standard | <table border="1"> <thead> <tr> <th>Code</th> <th>Cap Option</th> <th>Description</th> </tr> </thead> <tbody> <tr> <td>0</td> <td>Through Wire</td> <td>Allows wires to be terminated at any point</td> </tr> <tr> <td>9</td> <td>Wire Stop</td> <td>Terminates end of wire. End protected with Stop Face</td> </tr> </tbody> </table> | Code | Cap Option | Description | 0 | Through Wire | Allows wires to be terminated at any point | 9 | Wire Stop | Terminates end of wire. End protected with Stop Face | <table border="1"> <thead> <tr> <th>Code</th> <th>Contact</th> </tr> </thead> <tbody> <tr> <td>6</td> <td>Gold on Contact<br/>Tin on IDC</td> </tr> </tbody> </table> | Code | Contact | 6 | Gold on Contact<br>Tin on IDC |
| Code  | No of Ways                    | Details  |   |                        |                          |                  |             |                |     |   |         |     |   |         |     |   |         |     |   |         |     |   |         |               |  |  |     |   |         |     |   |         |     |   |         |     |   |         |     |   |         |  |      |       |              |   |       |          |  |      |            |             |   |              |  |   |           |  |   |      |         |   |                               |
| THROUGH WIRE CAP                              |                               |  |   |                        |                          |                  |             |                |     |   |         |     |   |         |     |   |         |     |   |         |     |   |         |               |  |  |     |   |         |     |   |         |     |   |         |     |   |         |     |   |         |  |      |       |              |   |       |          |  |      |            |             |   |              |  |   |           |  |   |      |         |   |                               |
| 002   | 2                             | Page 25  |   |                        |                          |                  |             |                |     |   |         |     |   |         |     |   |         |     |   |         |     |   |         |               |  |  |     |   |         |     |   |         |     |   |         |     |   |         |     |   |         |  |      |       |              |   |       |          |  |      |            |             |   |              |  |   |           |  |   |      |         |   |                               |
| 003   | 3                             | Page 26  |   |                        |                          |                  |             |                |     |   |         |     |   |         |     |   |         |     |   |         |     |   |         |               |  |  |     |   |         |     |   |         |     |   |         |     |   |         |     |   |         |  |      |       |              |   |       |          |  |      |            |             |   |              |  |   |           |  |   |      |         |   |                               |
| 004   | 4                             | Page 27  |   |                        |                          |                  |             |                |     |   |         |     |   |         |     |   |         |     |   |         |     |   |         |               |  |  |     |   |         |     |   |         |     |   |         |     |   |         |     |   |         |  |      |       |              |   |       |          |  |      |            |             |   |              |  |   |           |  |   |      |         |   |                               |
| 005   | 5                             | Page 28  |   |                        |                          |                  |             |                |     |   |         |     |   |         |     |   |         |     |   |         |     |   |         |               |  |  |     |   |         |     |   |         |     |   |         |     |   |         |     |   |         |  |      |       |              |   |       |          |  |      |            |             |   |              |  |   |           |  |   |      |         |   |                               |
| 006   | 6                             | Page 29  |   |                        |                          |                  |             |                |     |   |         |     |   |         |     |   |         |     |   |         |     |   |         |               |  |  |     |   |         |     |   |         |     |   |         |     |   |         |     |   |         |  |      |       |              |   |       |          |  |      |            |             |   |              |  |   |           |  |   |      |         |   |                               |
| WIRE STOP CAP                                 |                               |  |   |                        |                          |                  |             |                |     |   |         |     |   |         |     |   |         |     |   |         |     |   |         |               |  |  |     |   |         |     |   |         |     |   |         |     |   |         |     |   |         |  |      |       |              |   |       |          |  |      |            |             |   |              |  |   |           |  |   |      |         |   |                               |
| 002   | 2                             | Page 30  |   |                        |                          |                  |             |                |     |   |         |     |   |         |     |   |         |     |   |         |     |   |         |               |  |  |     |   |         |     |   |         |     |   |         |     |   |         |     |   |         |  |      |       |              |   |       |          |  |      |            |             |   |              |  |   |           |  |   |      |         |   |                               |
| 003   | 3                             | Page 31  |   |                        |                          |                  |             |                |     |   |         |     |   |         |     |   |         |     |   |         |     |   |         |               |  |  |     |   |         |     |   |         |     |   |         |     |   |         |     |   |         |  |      |       |              |   |       |          |  |      |            |             |   |              |  |   |           |  |   |      |         |   |                               |
| 004   | 4                             | Page 32  |   |                        |                          |                  |             |                |     |   |         |     |   |         |     |   |         |     |   |         |     |   |         |               |  |  |     |   |         |     |   |         |     |   |         |     |   |         |     |   |         |  |      |       |              |   |       |          |  |      |            |             |   |              |  |   |           |  |   |      |         |   |                               |
| 005   | 5                             | Page 33  |   |                        |                          |                  |             |                |     |   |         |     |   |         |     |   |         |     |   |         |     |   |         |               |  |  |     |   |         |     |   |         |     |   |         |     |   |         |     |   |         |  |      |       |              |   |       |          |  |      |            |             |   |              |  |   |           |  |   |      |         |   |                               |
| 006   | 6                             | Page 34  |   |                        |                          |                  |             |                |     |   |         |     |   |         |     |   |         |     |   |         |     |   |         |               |  |  |     |   |         |     |   |         |     |   |         |     |   |         |     |   |         |  |      |       |              |   |       |          |  |      |            |             |   |              |  |   |           |  |   |      |         |   |                               |
| Code  | Color                         | Availability   |   |                        |                          |                  |             |                |     |   |         |     |   |         |     |   |         |     |   |         |     |   |         |               |  |  |     |   |         |     |   |         |     |   |         |     |   |         |     |   |         |  |      |       |              |   |       |          |  |      |            |             |   |              |  |   |           |  |   |      |         |   |                               |
| 1   | White                         | Standard   |   |                        |                          |                  |             |                |     |   |         |     |   |         |     |   |         |     |   |         |     |   |         |               |  |  |     |   |         |     |   |         |     |   |         |     |   |         |     |   |         |  |      |       |              |   |       |          |  |      |            |             |   |              |  |   |           |  |   |      |         |   |                               |
| Code  | Cap Option                    | Description  |   |                        |                          |                  |             |                |     |   |         |     |   |         |     |   |         |     |   |         |     |   |         |               |  |  |     |   |         |     |   |         |     |   |         |     |   |         |     |   |         |  |      |       |              |   |       |          |  |      |            |             |   |              |  |   |           |  |   |      |         |   |                               |
| 0   | Through Wire                  | Allows wires to be terminated at any point   |   |                        |                          |                  |             |                |     |   |         |     |   |         |     |   |         |     |   |         |     |   |         |               |  |  |     |   |         |     |   |         |     |   |         |     |   |         |     |   |         |  |      |       |              |   |       |          |  |      |            |             |   |              |  |   |           |  |   |      |         |   |                               |
| 9   | Wire Stop                     | Terminates end of wire. End protected with Stop Face   |   |                        |                          |                  |             |                |     |   |         |     |   |         |     |   |         |     |   |         |     |   |         |               |  |  |     |   |         |     |   |         |     |   |         |     |   |         |     |   |         |  |      |       |              |   |       |          |  |      |            |             |   |              |  |   |           |  |   |      |         |   |                               |
| Code  | Contact                       |  |   |                        |                          |                  |             |                |     |   |         |     |   |         |     |   |         |     |   |         |     |   |         |               |  |  |     |   |         |     |   |         |     |   |         |     |   |         |     |   |         |  |      |       |              |   |       |          |  |      |            |             |   |              |  |   |           |  |   |      |         |   |                               |
| 6   | Gold on Contact<br>Tin on IDC |  |   |                        |                          |                  |             |                |     |   |         |     |   |         |     |   |         |     |   |         |     |   |         |               |  |  |     |   |         |     |   |         |     |   |         |     |   |         |     |   |         |  |      |       |              |   |       |          |  |      |            |             |   |              |  |   |           |  |   |      |         |   |                               |

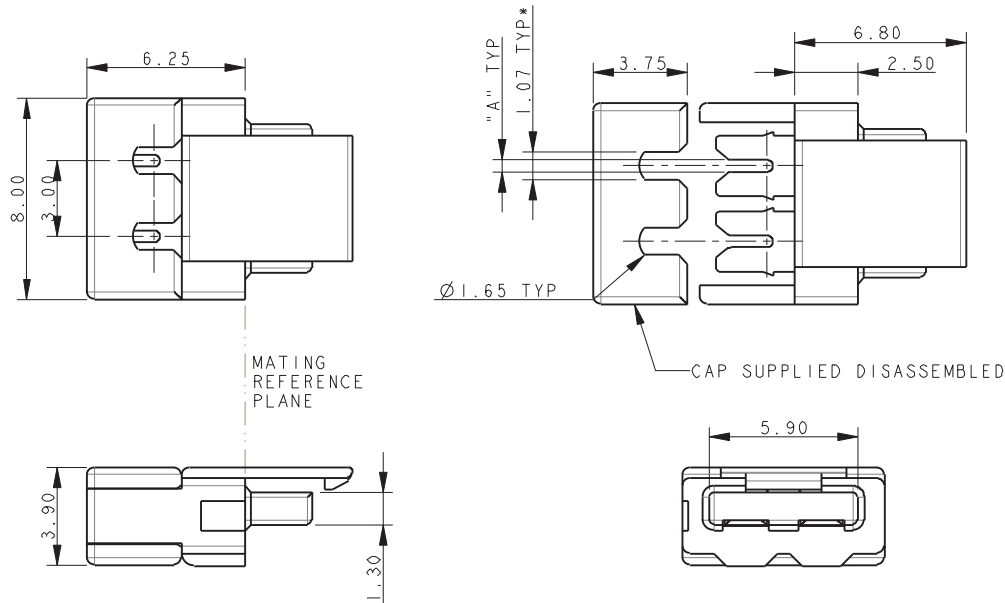


# IDC Plug: WTB Through Wire Cap/Wire Stop Cap



Series 14-9159

## PLUG-WIRED – 2 WAY THROUGH WIRE CAP



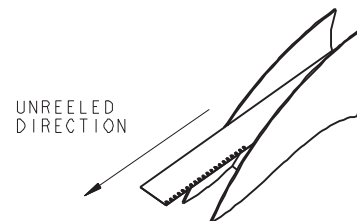
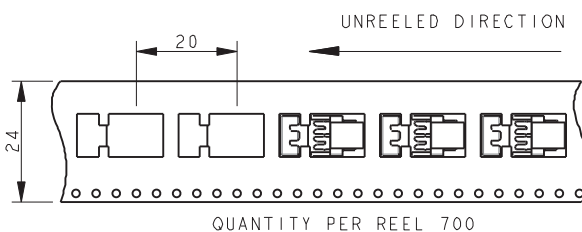
**NOTES:**

1. FOR MORE INFORMATION REFER TO PRODUCT SPEC 201-01-119.  
FOR WIRE ASSEMBLY REFER TO APPLICATION NOTES 201-01-123.
2. THROUGH WIRE CAP, FOR TERMINATION OF WIRE IN ANY POSITION.
3. CAP ACTS AS WIRE ASSEMBLY TOOL. WIRE PREFIT TO CAP, NARROW SLOT TO GRIP WIRE, PERMANENT ASSEMBLY.
4. GENERAL TOLERANCE  $\pm 0.20$  UNLESS SPECIFIED.
5. INSULATOR MATERIAL: NYLON 46, GLASS FILLED, UL94 V-0. COLOR REFER TO PAGE 24.
6. CONTACT MATERIAL: COPPER ALLOY, PLATING NICKEL BASE ALL OVER, GOLD ON CONTACT, TIN ON IDC.
7. PACKING IN TAPE AND REEL. QTY PER REEL 700, POCKET CONTAINS 1 CONNECTOR AND 1 CAP.
8. WIRE GAUGE OPTIONS, SEE TABLE.
9. ASSEMBLY AIDS, REFER TO PAGE 35.

| Wire Gauge            | Code (Page 24) | Dimension A | Wire Insulation Diameter |
|-----------------------|----------------|-------------|--------------------------|
| 22AWG (Stranded Wire) | 122            | 0.47        | 1.10 to 1.60             |
| 24AWG (Stranded Wire) | 132            | 0.37        | 1.10 to 1.60             |



## PACKING DETAILS CAP AND CONNECTOR SUPPLIED TOGETHER (2 PARTS)

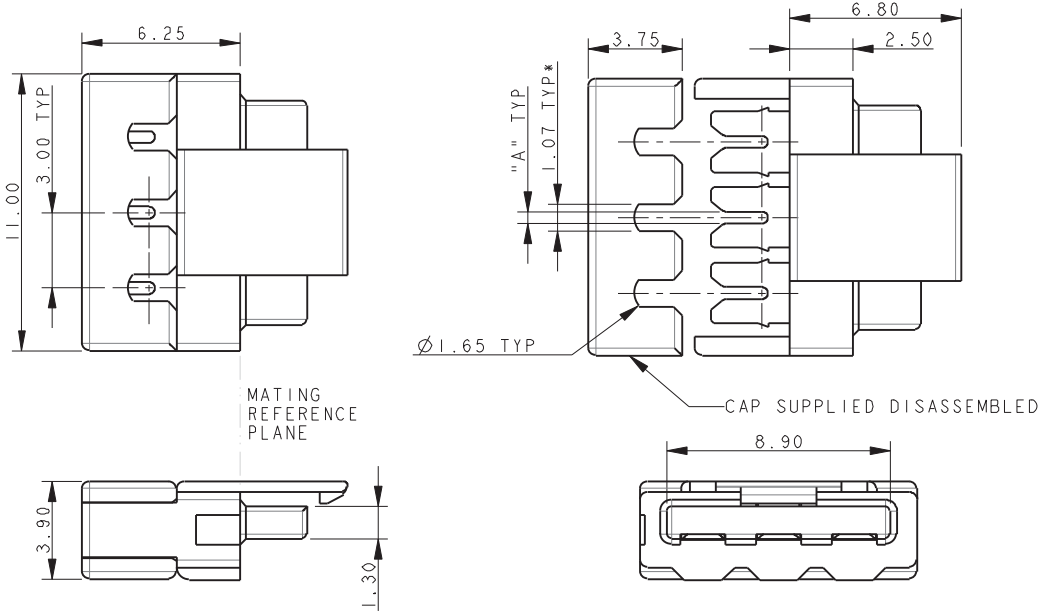


# IDC Plug: WTB Through Wire Cap/Wire Stop Cap



Series 14-9159

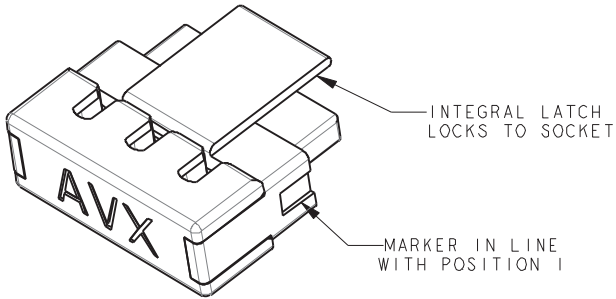
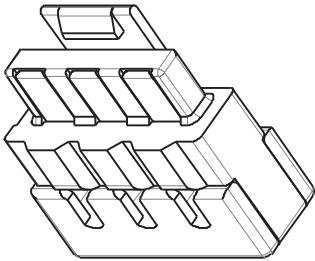
## PLUG-WIRED – 3 WAY THROUGH WIRE CAP



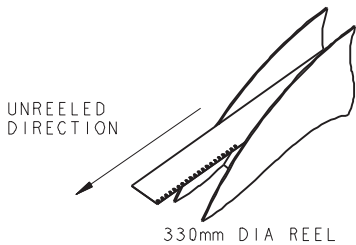
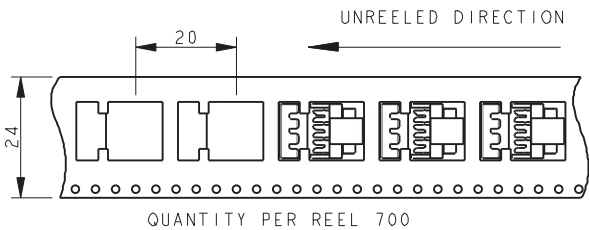
**NOTES:**

1. FOR MORE INFORMATION REFER TO PRODUCT SPEC 201-01-119.  
FOR WIRE ASSEMBLY REFER TO APPLICATION NOTES 201-01-123.
2. THROUGH WIRE CAP, FOR TERMINATION OF WIRE IN ANY POSITION.
3. CAP ACTS AS WIRE ASSEMBLY TOOL. WIRE PREFIT TO CAP, NARROW SLOT TO GRIP WIRE, PERMANENT ASSEMBLY.
4. GENERAL TOLERANCE  $\pm 0.20$  UNLESS SPECIFIED.
5. INSULATOR MATERIAL: NYLON 46, GLASS FILLED, UL94 V-0. COLOR REFER TO PAGE 24.
6. CONTACT MATERIAL: COPPER ALLOY, PLATING NICKEL BASE ALL OVER, GOLD ON CONTACT, TIN ON IDC.
7. PACKING IN TAPE AND REEL. QTY PER REEL 700, POCKET CONTAINS 1 CONNECTOR AND 1 CAP.
8. WIRE GAUGE OPTIONS, SEE TABLE.
9. ASSEMBLY AIDS, REFER TO PAGE 35.

| Wire Gauge            | Code (Page 24) | Dimension A | Wire Insulation Diameter |
|-----------------------|----------------|-------------|--------------------------|
| 22AWG (Stranded Wire) | 122            | 0.47        | 1.10 to 1.60             |
| 24AWG (Stranded Wire) | 132            | 0.37        | 1.10 to 1.60             |



## PACKING DETAILS CAP AND CONNECTOR SUPPLIED TOGETHER (2 PARTS)

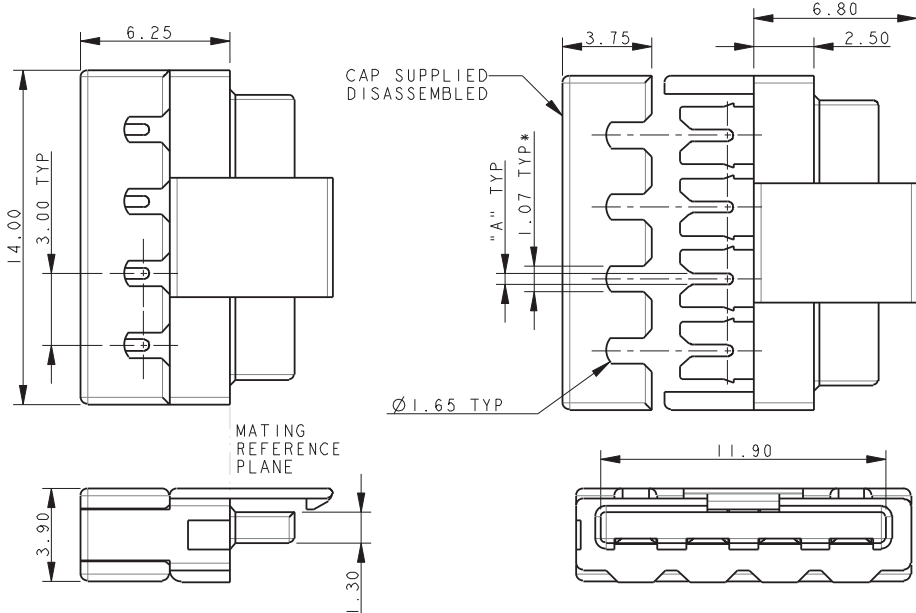


# IDC Plug: WTB Through Wire Cap/Wire Stop Cap



Series 14-9159

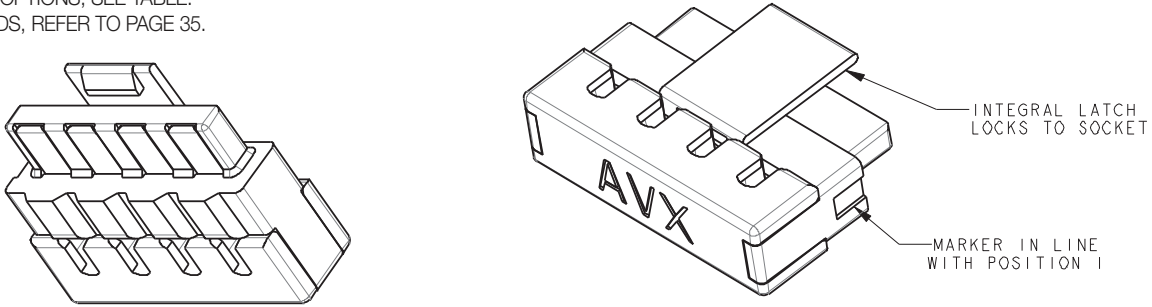
## PLUG-WIRED – 4 WAY THROUGH WIRE CAP



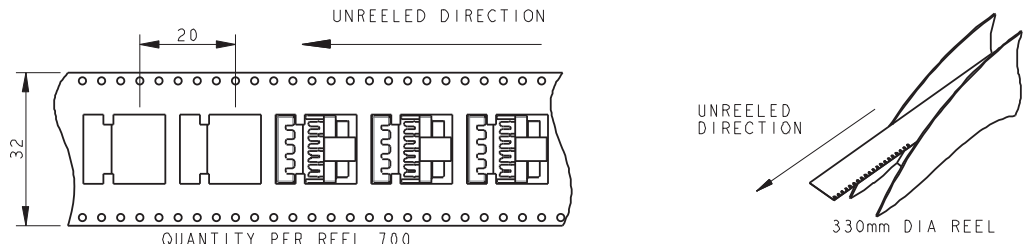
**NOTES:**

1. FOR MORE INFORMATION REFER TO PRODUCT SPEC 201-01-119.  
FOR WIRE ASSEMBLY REFER TO APPLICATION NOTES 201-01-123.
2. THROUGH WIRE CAP, FOR TERMINATION OF WIRE IN ANY POSITION.
3. CAP ACTS AS WIRE ASSEMBLY TOOL. WIRE PREFIT TO CAP, NARROW SLOT TO GRIP WIRE, PERMANENT ASSEMBLY.
4. GENERAL TOLERANCE  $\pm 0.20$  UNLESS SPECIFIED.
5. INSULATOR MATERIAL: NYLON 46, GLASS FILLED, UL94 V-0. COLOR REFER TO PAGE 24.
6. CONTACT MATERIAL: COPPER ALLOY, PLATING NICKEL BASE ALL OVER, GOLD ON CONTACT, TIN ON IDC.
7. PACKING IN TAPE AND REEL. QTY PER REEL 700, POCKET CONTAINS 1 CONNECTOR AND 1 CAP.
8. WIRE GAUGE OPTIONS, SEE TABLE.
9. ASSEMBLY AIDS, REFER TO PAGE 35.

| Wire Gauge            | Code (Page 24) | Dimension A | Wire Insulation Diameter |
|-----------------------|----------------|-------------|--------------------------|
| 22AWG (Stranded Wire) | 122            | 0.47        | 1.10 to 1.60             |
| 24AWG (Stranded Wire) | 132            | 0.37        | 1.10 to 1.60             |



## PACKING DETAILS CAP AND CONNECTOR SUPPLIED TOGETHER (2 PARTS)

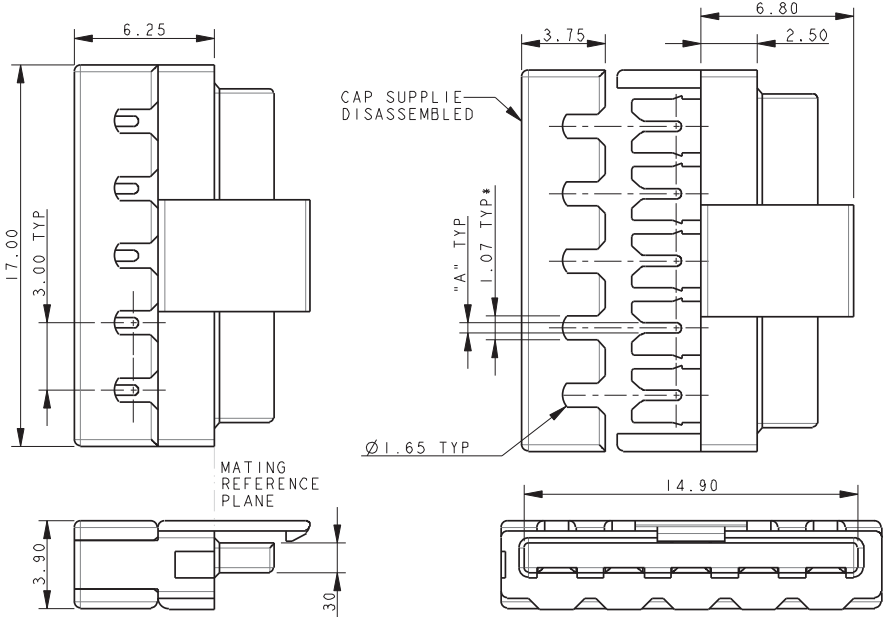


# IDC Plug: WTB Through Wire Cap/Wire Stop Cap



Series 14-9159

## PLUG-WIRED – 5 WAY THROUGH WIRE CAP



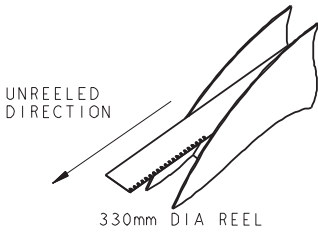
**NOTES:**

1. FOR MORE INFORMATION REFER TO PRODUCT SPEC 201-01-119.  
FOR WIRE ASSEMBLY REFER TO APPLICATION NOTES 201-01-123.
2. THROUGH WIRE CAP, FOR TERMINATION OF WIRE IN ANY POSITION.
3. CAP ACTS AS WIRE ASSEMBLY TOOL. WIRE PREFIT TO CAP, NARROW SLOT TO GRIP WIRE, PERMANENT ASSEMBLY.
4. GENERAL TOLERANCE  $\pm 0.20$  UNLESS SPECIFIED.
5. INSULATOR MATERIAL: NYLON 46, GLASS FILLED, UL94 V-0. COLOR REFER TO PAGE 24.
6. CONTACT MATERIAL: COPPER ALLOY, PLATING NICKEL BASE ALL OVER, GOLD ON CONTACT, TIN ON IDC.
7. PACKING IN TAPE AND REEL. QTY PER REEL 700, POCKET CONTAINS 1 CONNECTOR AND 1 CAP.
8. WIRE GAUGE OPTIONS, SEE TABLE.
9. ASSEMBLY AIDS, REFER TO PAGE 35.

| Wire Gauge            | Code (Page 24) | Dimension A | Wire Insulation Diameter |
|-----------------------|----------------|-------------|--------------------------|
| 22AWG (Stranded Wire) | 122            | 0.47        | 1.10 to 1.60             |
| 24AWG (Stranded Wire) | 132            | 0.37        | 1.10 to 1.60             |



## PACKING DETAILS CAP AND CONNECTOR SUPPLIED TOGETHER (2 PARTS)



# IDC Plug: WTB



## Through Wire Cap/Wire Stop Cap

Series 14-9159

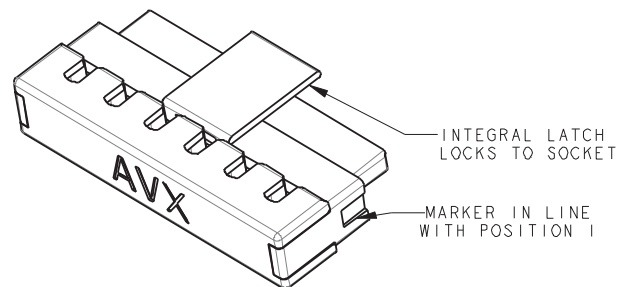
### PLUG-WIRED – 6 WAY THROUGH WIRE CAP



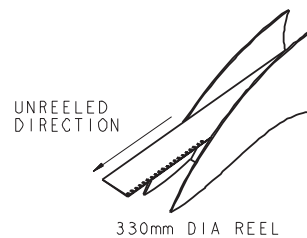
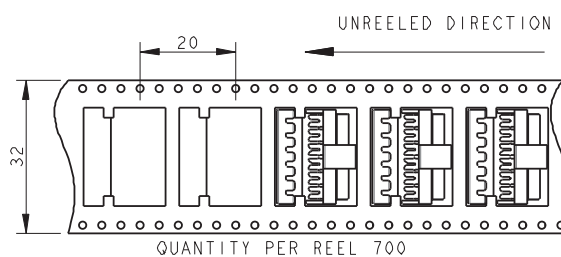
**NOTES:**

1. FOR MORE INFORMATION REFER TO PRODUCT SPEC 201-01-119.  
FOR WIRE ASSEMBLY REFER TO APPLICATION NOTES 201-01-123.
2. THROUGH WIRE CAP, FOR TERMINATION OF WIRE IN ANY POSITION.
3. CAP ACTS AS WIRE ASSEMBLY TOOL. WIRE PREFIT TO CAP, NARROW SLOT TO GRIP WIRE, PERMANENT ASSEMBLY.
4. GENERAL TOLERANCE  $\pm 0.20$  UNLESS SPECIFIED.
5. INSULATOR MATERIAL: NYLON 46, GLASS FILLED, UL94 V-0. COLOR REFER TO PAGE 24.
6. CONTACT MATERIAL: COPPER ALLOY, PLATING NICKEL BASE ALL OVER, GOLD ON CONTACT, TIN ON IDC.
7. PACKING IN TAPE AND REEL. QTY PER REEL 700, POCKET CONTAINS 1 CONNECTOR AND 1 CAP.
8. WIRE GAUGE OPTIONS, SEE TABLE.
9. ASSEMBLY AIDS, REFER TO PAGE 35.

| Wire Gauge            | Code (Page 24) | Dimension A | Wire Insulation Diameter |
|-----------------------|----------------|-------------|--------------------------|
| 22AWG (Stranded Wire) | 122            | 0.47        | 1.10 to 1.60             |
| 24AWG (Stranded Wire) | 132            | 0.37        | 1.10 to 1.60             |



### PACKING DETAILS CAP AND CONNECTOR SUPPLIED TOGETHER (2 PARTS)



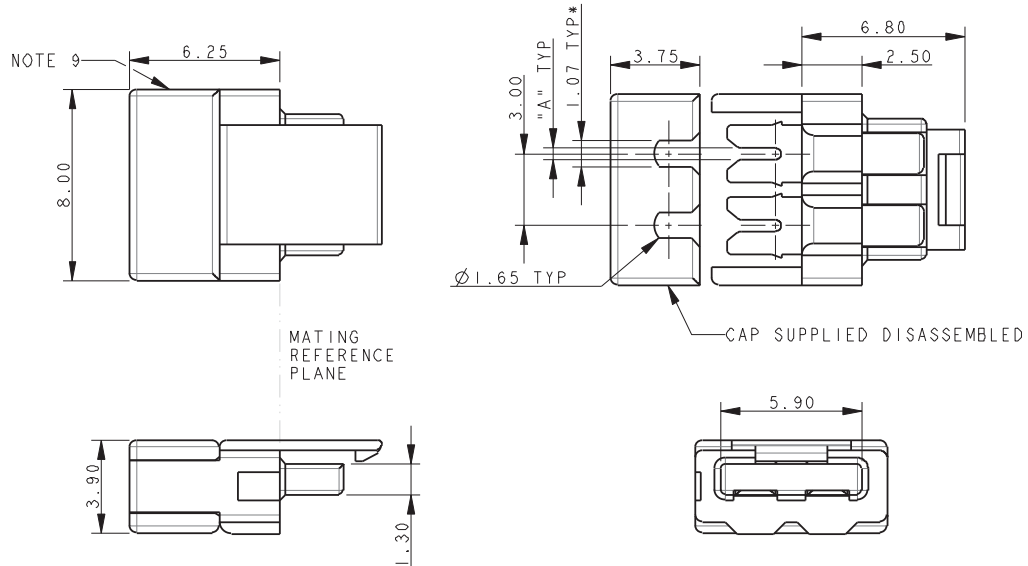
# IDC Plug: WTB



# Through Wire Cap/Wire Stop Cap

Series 14-9159

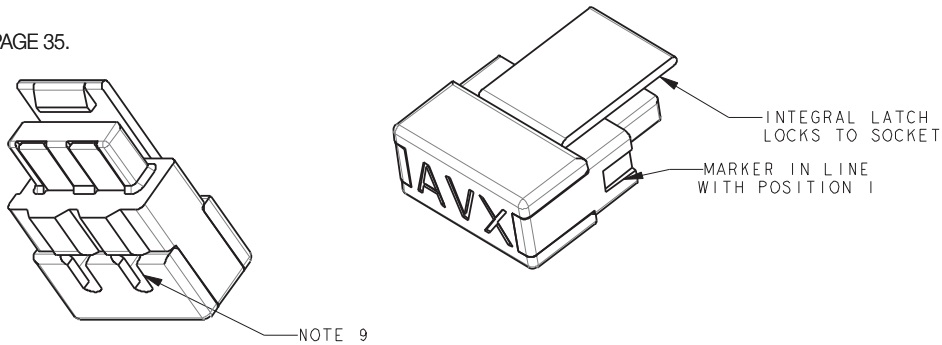
## PLUG-WIRED – 2 WAY WIRE STOP CAP



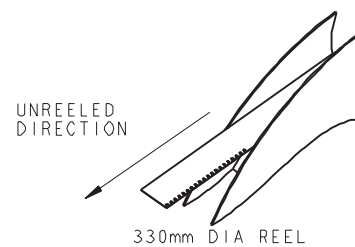
**NOTES:**

1. FOR MORE INFORMATION REFER TO PRODUCT SPEC 201-01-119.
2. WIRE STOP CAP, WITH STOP FACE ON ONE SIDE TO PROTECT END OF WIRE.
3. CAP ACTS AS WIRE ASSEMBLY TOOL. WIRE PREFIT TO CAP, NARROW SLOT TO GRIP WIRE, PERMANENT ASSEMBLY.
4. GENERAL TOLERANCE  $\pm 0.20$  UNLESS SPECIFIED.
5. INSULATOR MATERIAL: NYLON 46, GLASS FILLED, UL94 V-0. COLOR REFER TO PAGE 24.
6. CONTACT MATERIAL: COPPER ALLOY, PLATING NICKEL BASE ALL OVER, GOLD ON CONTACT, TIN ON IDC.
7. PACKING IN TAPE AND REEL. QTY PER REEL 700, POCKET CONTAINS 1 CONNECTOR AND 1 CAP.
8. WIRE GAUGE OPTIONS, SEE TABLE.
9. SHOWN WITH WIRE ENTRY FROM UNDERSIDE, CAP CAN BE ASSEMBLED FOR EITHER TOP OR UNDERSIDE WIRE ENTRY.
10. ASSEMBLY AIDS, REFER TO PAGE 35.

| Wire Gauge            | Code (Page 24) | Dimension A | Wire Insulation Diameter |
|-----------------------|----------------|-------------|--------------------------|
| 22AWG (Stranded Wire) | 122            | 0.47        | 1.10 to 1.60             |
| 24AWG (Stranded Wire) | 132            | 0.37        | 1.10 to 1.60             |



## PACKING DETAILS CAP AND CONNECTOR SUPPLIED TOGETHER (2 PARTS)



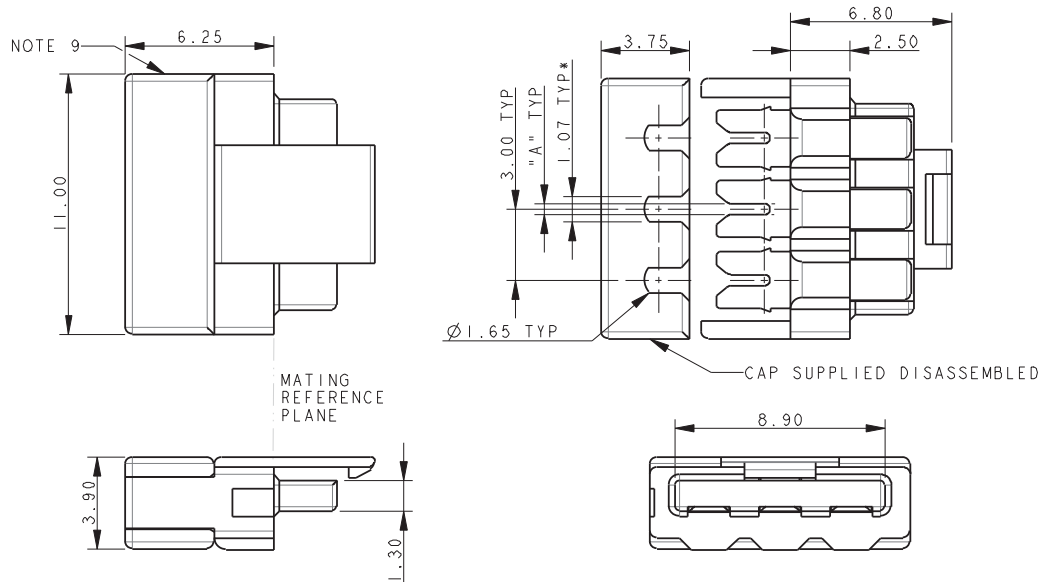
# IDC Plug: WTB



## Through Wire Cap/Wire Stop Cap

Series 14-9159

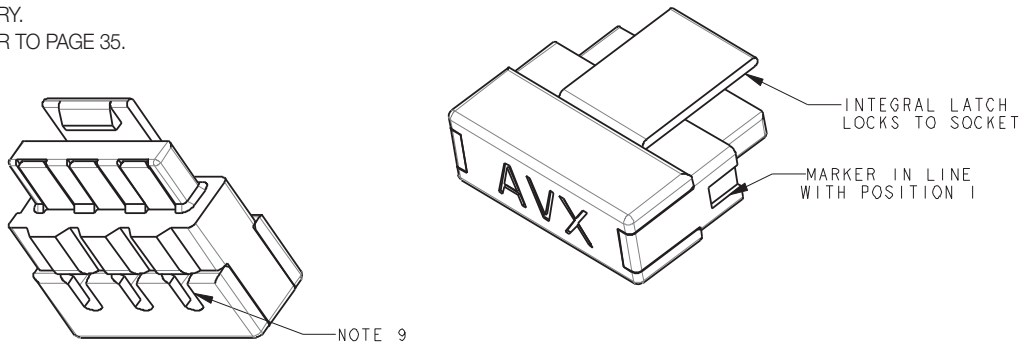
### PLUG-WIRED – 3 WAY WIRE STOP CAP



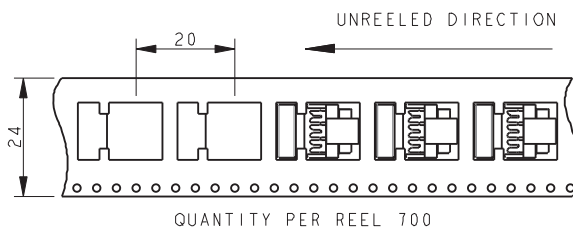
**NOTES:**

1. FOR MORE INFORMATION REFER TO PRODUCT SPEC 201-01-119. FOR WIRE ASSEMBLY REFER TO APPLICATION NOTES 201-01-123.
2. WIRE STOP CAP, WITH STOP FACE ON ONE SIDE TO PROTECT END OF WIRE.
3. CAP ACTS AS WIRE ASSEMBLY TOOL. WIRE PREFIT TO CAP, NARROW SLOT TO GRIP WIRE, PERMANENT ASSEMBLY.
4. GENERAL TOLERANCE  $\pm 0.20$  UNLESS SPECIFIED.
5. INSULATOR MATERIAL: NYLON 46, GLASS FILLED, UL94 V-0. COLOR REFER TO PAGE 24.
6. CONTACT MATERIAL: COPPER ALLOY, PLATING NICKEL BASE ALL OVER, GOLD ON CONTACT, TIN ON IDC.
7. PACKING IN TAPE AND REEL. QTY PER REEL 700, POCKET CONTAINS 1 CONNECTOR AND 1 CAP.
8. WIRE GAUGE OPTIONS, SEE TABLE.
9. SHOWN WITH WIRE ENTRY FROM UNDERSIDE, CAP CAN BE ASSEMBLED FOR EITHER TOP OR UNDERSIDE WIRE ENTRY.
10. ASSEMBLY AIDS, REFER TO PAGE 35.

| Wire Gauge            | Code (Page 24) | Dimension A | Wire Insulation Diameter |
|-----------------------|----------------|-------------|--------------------------|
| 22AWG (Stranded Wire) | 122            | 0.47        | 1.10 to 1.60             |
| 24AWG (Stranded Wire) | 132            | 0.37        | 1.10 to 1.60             |



### PACKING DETAILS CAP AND CONNECTOR SUPPLIED TOGETHER (2 PARTS)





# IDC Plug: WTB



# Through Wire Cap/Wire Stop Cap

Series 14-9159

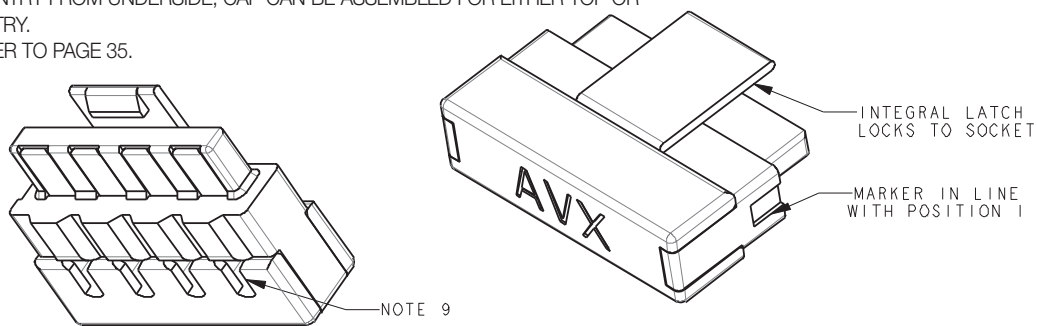
## PLUG-WIRED – 4 WAY WIRE STOP CAP



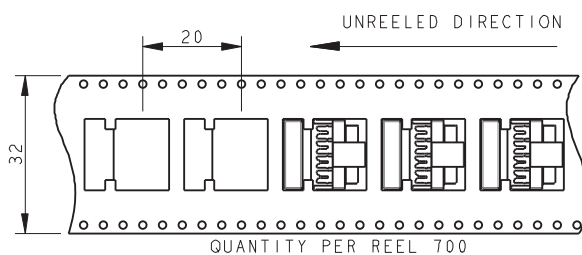
**NOTES:**

1. FOR MORE INFORMATION REFER TO PRODUCT SPEC 201-01-119. FOR WIRE ASSEMBLY REFER TO APPLICATION NOTES 201-01-123.
2. WIRE STOP CAP, WITH STOP FACE ON ONE SIDE TO PROTECT END OF WIRE.
3. CAP ACTS AS WIRE ASSEMBLY TOOL. WIRE PREFIT TO CAP, NARROW SLOT TO GRIP WIRE, PERMANENT ASSEMBLY.
4. GENERAL TOLERANCE  $\pm 0.20$  UNLESS SPECIFIED.
5. INSULATOR MATERIAL: NYLON 46, GLASS FILLED, UL94 V-0. COLOR REFER TO PAGE 24.
6. CONTACT MATERIAL: COPPER ALLOY, PLATING NICKEL BASE ALL OVER, GOLD ON CONTACT, TIN ON IDC.
7. PACKING IN TAPE AND REEL. QTY PER REEL 700, POCKET CONTAINS 1 CONNECTOR AND 1 CAP.
8. WIRE GAUGE OPTIONS, SEE TABLE.
9. SHOWN WITH WIRE ENTRY FROM UNDERSIDE, CAP CAN BE ASSEMBLED FOR EITHER TOP OR UNDERSIDE WIRE ENTRY.
10. ASSEMBLY AIDS, REFER TO PAGE 35.

| Wire Gauge            | Code (Page 24) | Dimension A | Wire Insulation Diameter |
|-----------------------|----------------|-------------|--------------------------|
| 22AWG (Stranded Wire) | 122            | 0.47        | 1.10 to 1.60             |
| 24AWG (Stranded Wire) | 132            | 0.37        | 1.10 to 1.60             |



## PACKING DETAILS CAP AND CONNECTOR SUPPLIED TOGETHER (2 PARTS)

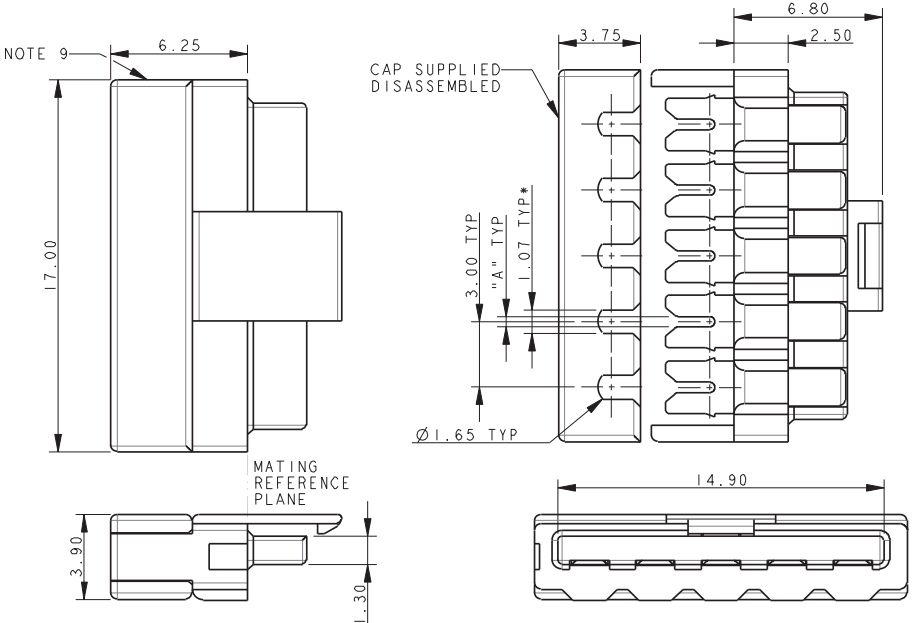


# IDC Plug: WTB Through Wire Cap/Wire Stop Cap



Series 14-9159

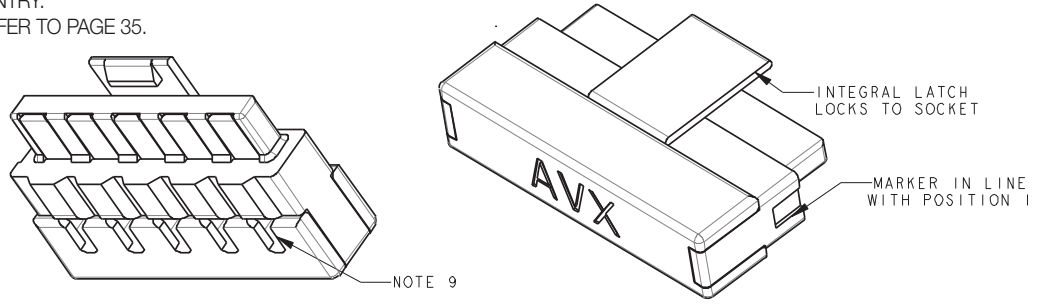
## PLUG-WIRED – 5 WAY WIRE STOP CAP



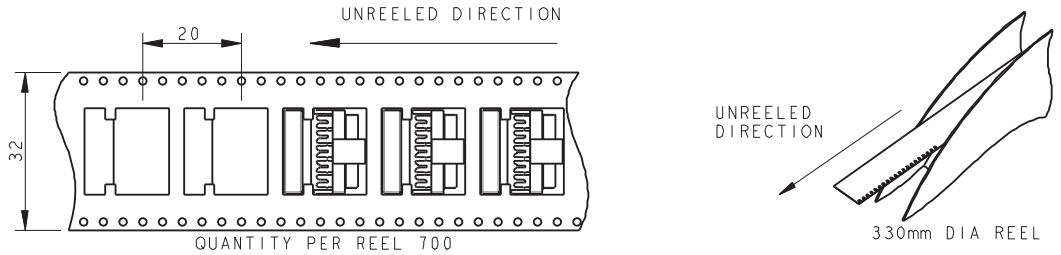
**NOTES:**

1. FOR MORE INFORMATION REFER TO PRODUCT SPEC 201-01-119. FOR WIRE ASSEMBLY REFER TO APPLICATION NOTES 201-01-123.
2. WIRE STOP CAP, WITH STOP FACE ON ONE SIDE TO PROTECT END OF WIRE.
3. CAP ACTS AS WIRE ASSEMBLY TOOL. WIRE PREFIT TO CAP, NARROW SLOT TO GRIP WIRE, PERMANENT ASSEMBLY.
4. GENERAL TOLERANCE ±0.20 UNLESS SPECIFIED.
5. INSULATOR MATERIAL: NYLON 46, GLASS FILLED, UL94 V-0. COLOR REFER TO PAGE 24.
6. CONTACT MATERIAL: COPPER ALLOY, PLATING NICKEL BASE ALL OVER, GOLD ON CONTACT, TIN ON IDC.
7. PACKING IN TAPE AND REEL. QTY PER REEL 700, POCKET CONTAINS 1 CONNECTOR AND 1 CAP.
8. WIRE GAUGE OPTIONS, SEE TABLE.
9. SHOWN WITH WIRE ENTRY FROM UNDERSIDE, CAP CAN BE ASSEMBLED FOR EITHER TOP OR UNDERSIDE WIRE ENTRY.
10. ASSEMBLY AIDS, REFER TO PAGE 35.

| Wire Gauge            | Code (Page 24) | Dimension A | Wire Insulation Diameter |
|-----------------------|----------------|-------------|--------------------------|
| 22AWG (Stranded Wire) | 122            | 0.47        | 1.10 to 1.60             |
| 24AWG (Stranded Wire) | 132            | 0.37        | 1.10 to 1.60             |



## PACKING DETAILS CAP AND CONNECTOR SUPPLIED TOGETHER (2 PARTS)

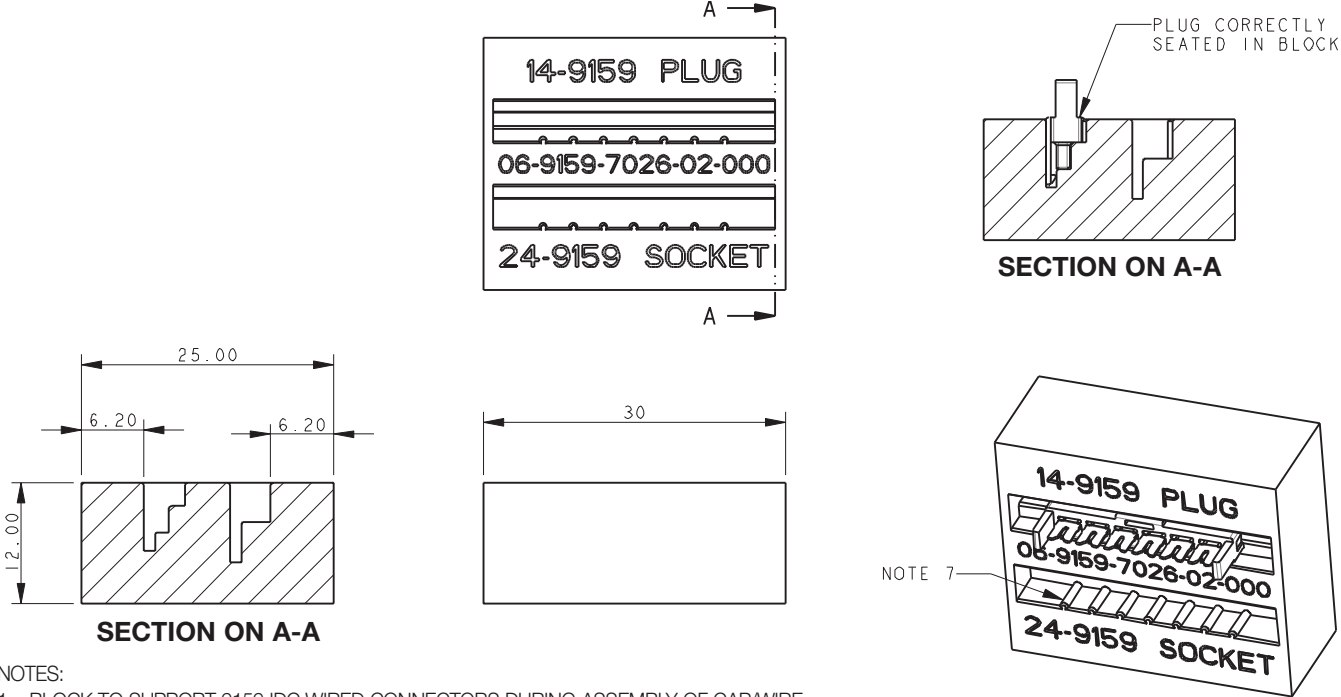




# IDC Plug: WTB Through Wire Cap/Wire Stop Cap

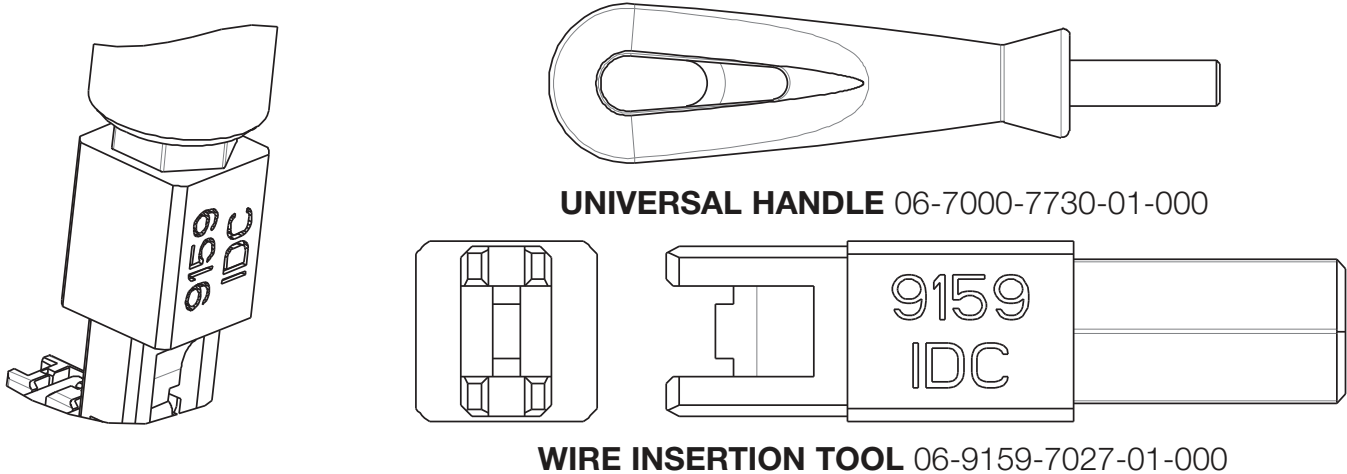
Series 14-9159

## PLUG-WIRED – ASSEMBLY SUPPORT BLOCK



- NOTES:
1. BLOCK TO SUPPORT 9159 IDC WIRED CONNECTORS DURING ASSEMBLY OF CAP/WIRE.
  2. PART NUMBER 06-9159-7026-01-000, MATERIAL ALUMINUM.  
PART NUMBER 06-9159-7026-02-000, MATERIAL NYLON 46.
  3. CAN BE USED WITH EITHER THE PLUG OR SOCKET CONNECTORS, USE THE CORRECT SLOT AS IDENTIFIED.
  4. FOR FULL WIRE ASSEMBLY DETAILS REFER TO APPLICATION NOTES 201-01-123.
  5. ONLY A SIMPLE FLAT BOTTOMED TOOL REQUIRED TO PUSH THE CAP DOWN (NOT SUPPLIED.)
  6. ALL DIMENSIONS  $\pm 0.20$  UNLESS TOLERANCED.
  7. 06-9159-7026-02-000 HAS RIBS TO HELP LOCATE CONTACT/INSULATOR SUB-ASSEMBLY.

## PLUG-WIRED – WIRE INSERTION TOOL



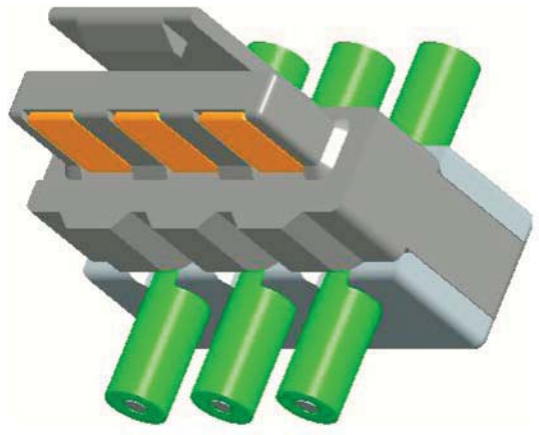
- NOTES:
1. TOOL 06-9159-7027-01-000 TO INSERT WIRES INTO CAP.
  2. FOR USE WITH UNIVERSAL HANDLE 06-7000-7720-01-000.
  3. CAN BE USED WITH BOTH THROUGH WIRE AND WIRE STOP CAPS.
  4. REFER TO APPLICATION NOTES 201-01-123 FOR FURTHER DETAILS.

# IDC Plug: WTB Through Wire Cap/Wire Stop Cap

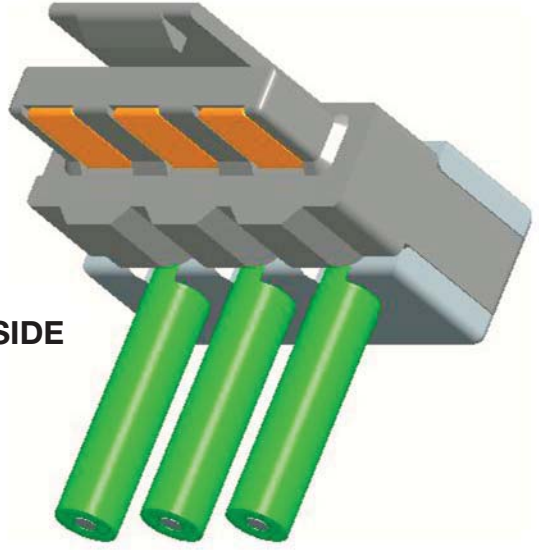


Series 14-9159

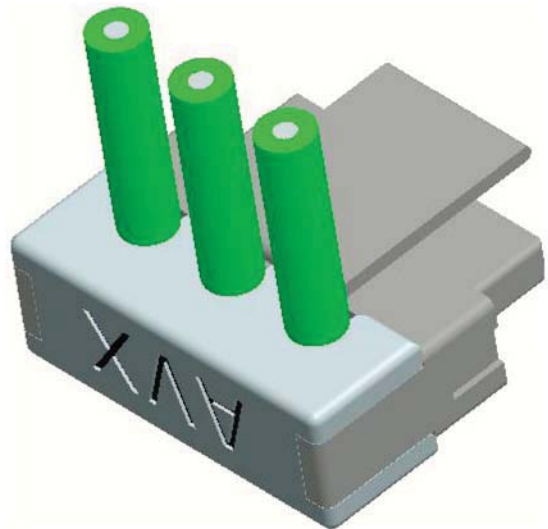
## PLUG-WIRED – ASSEMBLY



**THROUGH WIRE**



**WIRED STOP  
WIRE ENTRY UNDERSIDE**



**WIRED STOP  
WIRE ENTRY TOP**



Компания «Океан Электроники» предлагает заключение долгосрочных отношений при поставках импортных электронных компонентов на взаимовыгодных условиях!

Наши преимущества:

- Поставка оригинальных импортных электронных компонентов напрямую с производств Америки, Европы и Азии, а так же с крупнейших складов мира;
- Широкая линейка поставок активных и пассивных импортных электронных компонентов (более 30 млн. наименований);
- Поставка сложных, дефицитных, либо снятых с производства позиций;
- Оперативные сроки поставки под заказ (от 5 рабочих дней);
- Экспресс доставка в любую точку России;
- Помощь Конструкторского Отдела и консультации квалифицированных инженеров;
- Техническая поддержка проекта, помощь в подборе аналогов, поставка прототипов;
- Поставка электронных компонентов под контролем ВП;
- Система менеджмента качества сертифицирована по Международному стандарту ISO 9001;
- При необходимости вся продукция военного и аэрокосмического назначения проходит испытания и сертификацию в лаборатории (по согласованию с заказчиком);
- Поставка специализированных компонентов военного и аэрокосмического уровня качества (Xilinx, Altera, Analog Devices, Intersil, Interpoint, Microsemi, Actel, Aeroflex, Peregrine, VPT, Syfer, Eurofarad, Texas Instruments, MS Kennedy, Miteq, Cobham, E2V, MA-COM, Hittite, Mini-Circuits, General Dynamics и др.);

Компания «Океан Электроники» является официальным дистрибьютором и эксклюзивным представителем в России одного из крупнейших производителей разъемов военного и аэрокосмического назначения «**JONHON**», а так же официальным дистрибьютором и эксклюзивным представителем в России производителя высокотехнологичных и надежных решений для передачи СВЧ сигналов «**FORSTAR**».



## JONHON

«**JONHON**» (основан в 1970 г.)

Разъемы специального, военного и аэрокосмического назначения:

(Применяются в военной, авиационной, аэрокосмической, морской, железнодорожной, горно- и нефтедобывающей отраслях промышленности)

«**FORSTAR**» (основан в 1998 г.)

ВЧ соединители, коаксиальные кабели,  
кабельные сборки и микроволновые компоненты:

(Применяются в телекоммуникациях гражданского и специального назначения, в средствах связи, РЛС, а так же военной, авиационной и аэрокосмической отраслях промышленности).



Телефон: 8 (812) 309-75-97 (многоканальный)

Факс: 8 (812) 320-03-32

Электронная почта: [ocean@oceanchips.ru](mailto:ocean@oceanchips.ru)

Web: <http://oceanchips.ru/>

Адрес: 198099, г. Санкт-Петербург, ул. Калинина, д. 2, корп. 4, лит. А