

TPS63024x High Current, High Efficiency Single Inductor Buck-Boost Converter

1 Features

- Real Buck or Boost operation with automatic and seamless transition between Buck and Boost operation
- 2.3V to 5.5V input voltage range
- 1.5A Continuous Output Current : $V_{IN} \geq 2.5V$, $V_{OUT} = 3.3V$
- Adjustable and fixed output voltage
- Efficiency up to 95% in Buck or Boost mode and up to 97% when $V_{IN} = V_{OUT}$
- 2.5MHz typical switching frequency
- 35 μ A operating quiescent current
- Integrated Soft –Start
- Power Save Mode
- True shutdown function
- Output capacitor discharge function
- Over-Temperature Protection and Over current Protection
- Wide capacitance selection
- Small 1.766 mm x 2.086mm, 20-pin WCSP

2 Applications

- Cellular Phones, Smart Phones
- Tablets PC
- PC and Smart Phone accessories
- Point of load regulation
- Battery Powered Applications

3 Description

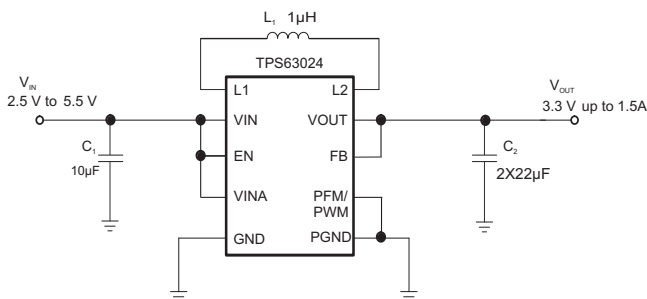
The TPS63024 are high efficiency, low quiescent current buck-boost converters suitable for application where the input voltage is higher or lower than the output. Output currents can go as high as 1.5A in boost mode and as high as 3A in buck mode. The maximum average current in the switches is limited to a typical value of 3A. The TPS63024 regulates the output voltage over the complete input voltage range by automatically switching between buck or boost mode depending on the input voltage ensuring a seamless transition between modes. The buck-boost converter is based on a fixed frequency, pulse-width-modulation (PWM) controller using synchronous rectification to obtain highest efficiency. At low load currents, the converter enters Power Save Mode to maintain high efficiency over the complete load current range. There is a PFM/PWM pin that allows the user to choose between automatic PFM/PWM mode operation and forced PWM operation. During PWM mode a fixed-frequency of typically 2.5MHz is used. The output voltage is programmable using an external resistor divider, or is fixed internally on the chip. The converter can be disabled to minimize battery drain. During shutdown, the load is disconnected from the battery. The device is packaged in a 20-pin WCSP package measuring 1.766 mm x 2.086mm.

Device Information⁽¹⁾

PART NUMBER	PACKAGE	BODY SIZE (NOM)
TPS63024	DSBGA (20)	1.766 mm x 2.086 mm
TPS630241		
TPS630242		

(1) For all available packages, see the orderable addendum at the end of the datasheet.

4 Typical Application



Efficiency vs Output Current

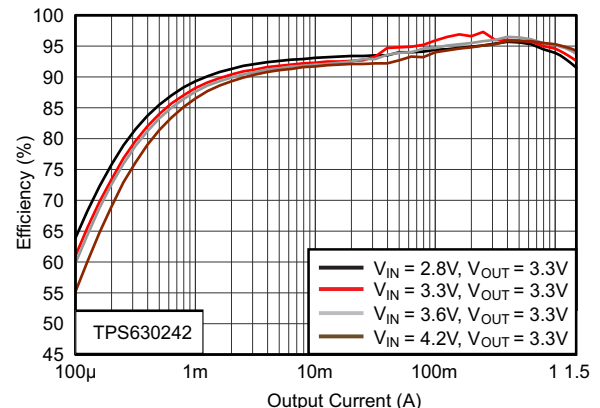


Table of Contents

1 Features	1	9.3 Feature Description.....	10
2 Applications	1	9.4 Device Functional Modes.....	12
3 Description	1	10 Application and Implementation	15
4 Typical Application	1	10.1 Application Information.....	15
5 Revision History	2	10.2 Typical Application	15
6 Device Comparison Table	3	11 Power Supply Recommendations	22
7 Pin Configuration and Functions	3	12 Layout	22
8 Specifications	4	12.1 Layout Guidelines	22
8.1 Absolute Maximum Ratings	4	12.2 Layout Example	22
8.2 ESD Ratings	4	13 Device and Documentation Support	23
8.3 Recommended Operating Conditions.....	4	13.1 Device Support	23
8.4 Thermal Information	5	13.2 Documentation Support	23
8.5 Electrical Characteristics.....	6	13.3 Related Links	23
8.6 Timing Requirements.....	7	13.4 Trademarks	23
8.7 Typical Characteristics.....	8	13.5 Electrostatic Discharge Caution.....	23
9 Detailed Description	9	13.6 Glossary	23
9.1 Overview	9	14 Mechanical, Packaging, and Orderable	
9.2 Functional Block Diagram	9	Information	23

5 Revision History

Changes from Original (November 2014) to Revision A

Page

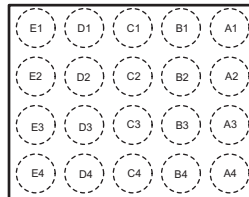
• Added Specifications, Detailed Description section, Application and Implementation section, Power Supply Recommendations section, Layout section, Device and Documentation Support section; and, changed status to Production Data.	4
--	----------

6 Device Comparison Table

PART NUMBER	VOUT
TPS63024	Adjustable
TPS630241	2.9V
TPS630242	3.3V

7 Pin Configuration and Functions

WCSP
20-Pin
YFF (TOP VIEW)



Pin Functions

PIN		I/O	DESCRIPTION
NAME	NO.		
VOUT	A1,A2,A3	PWR	Buck-boost converter output
FB	A4	IN	Voltage feedback of adjustable version, must be connected to VOUT for fixed output voltage versions
L2	B1,B2,B3	PWR	Connection for Inductor
PFM/PWM	B4	IN	set low for PFM mode, set high for forced PWM mode. It must not be left floating
PGND	C1,C2,C3	PWR	Power Ground
GND	C4	PWR	Analog Ground
L1	D1,D2,D3	PWR	Connection for Inductor
EN	D4	IN	Enable input. Set high to enable and low to disable. It must not be left floating.
VIN	E1,E2,E3	PWR	Supply voltage for power stage
VINA	E4	PWR	Supply voltage for control stage.

8 Specifications

8.1 Absolute Maximum Ratings⁽¹⁾

over junction temperature range (unless otherwise noted)

		VALUE		UNIT
		MIN	MAX	
Voltage ⁽²⁾	VIN, L1, EN, VINA, PFM/PWM	-0.3	7	V
	VOUT, FB	-0.3	4	V
	L2 ⁽³⁾	-0.3	4	V
	L2 ⁽⁴⁾	-0.3	5.5	V
Input current	Continuous average current into L1 ⁽⁵⁾		2.7	A
T _J	Operating junction temperature	-40	125	°C
T _{stg}	Storage temperature range	-65	150	

- (1) Stresses beyond those listed under *Absolute Maximum Ratings* may cause permanent damage to the device. These are stress ratings only, which do not imply functional operation of the device at these or any other conditions beyond those indicated under *Recommended Operating Conditions*. Exposure to absolute-maximum-rated conditions for extended periods may affect device reliability.
- (2) All voltage values are with respect to network ground pin.
- (3) DC voltage rating.
- (4) AC transient voltage rating.
- (5) Maximum continuous average input current 3.5A, under those condition do not exceed 105°C for more than 25% operating time.

8.2 ESD Ratings

		VALUE	UNIT
V _(ESD) Electrostatic discharge	Human-body model (HBM), per ANSI/ESDA/JEDEC JS-001 ⁽¹⁾	±2000	V
	Charged-device model (CDM), per JEDEC specification JESD22-C101 ⁽²⁾	±700	

- (1) JEDEC document JEP155 states that 500-V HBM allows safe manufacturing with a standard ESD control process.
- (2) JEDEC document JEP157 states that 250-V CDM allows safe manufacturing with a standard ESD control process.

8.3 Recommended Operating Conditions⁽¹⁾

		MIN	TYP	MAX	UNIT
V _{IN}	Input Voltage Range	2.3		5.5	V
V _{OUT}	Output Voltage	2.5		3.6	V
L	Inductance ⁽²⁾	0.5	1	1.3	μH
C _{out}	Output Capacitance ⁽³⁾	16			μF
T _A	Operating ambient temperature	-40		85	°C
T _J	Operating virtual junction temperature	-40		125	°C

- (1) Refer to the Application Information section for further information
- (2) Effective inductance value at operating condition. The nominal value given matches a typical inductor to be chosen to meet the inductance required.
- (3) Due to the dc bias effect of ceramic capacitors, the effective capacitance is lower than the nominal value when a voltage is applied. This is why the capacitance is specified to allow the selection of the nominal capacitor required with the dc bias effect for this type of capacitor. The nominal value given matches a typical capacitor to be chosen to meet the minimum capacitance required.

8.4 Thermal Information

THERMAL METRIC ⁽¹⁾		TPS63024x YFF 20 PINS	UNIT
$R_{\theta JA}$	Junction-to-ambient thermal resistance	53.8	°C/W
$R_{\theta JC(top)}$	Junction-to-case (top) thermal resistance	0.5	
$R_{\theta JB}$	Junction-to-board thermal resistance	10.1	
Ψ_{JT}	Junction-to-top characterization parameter	1.4	
Ψ_{JB}	Junction-to-board characterization parameter	9.8	
$R_{\theta JC(bot)}$	Junction-to-case (bottom) thermal resistance	N/A	

(1) For more information about traditional and new thermal metrics, see the *IC Package Thermal Metrics* application report, [SPRA953](#).

8.5 Electrical Characteristics

V_{IN} =2.3V to 5.5V, T_J = -40°C to 125°C, typical values are at T_A =25°C (unless otherwise noted)

PARAMETER		TEST CONDITIONS	MIN	TYP	MAX	UNIT	
SUPPLY							
V_{IN}	Input voltage range		2.3		5.5	V	
V_{IN_Min}	Minimum input voltage to turn on into full load	$R_{LOAD}= 2.2\Omega$		2.7		V	
I_Q	Quiescent current	V_{IN}	$I_{OUT}=0mA$, $EN=V_{IN}=3.6V$, $V_{OUT}=3.3V$ $T_J=-40^\circ C$ to $85^\circ C$, not switching		35	70	μA
		V_{OUT}			12		μA
I_{sd}	Shutdown current	$EN=low$, $T_J=-40^\circ C$ to $85^\circ C$		0.1	2	μA	
UVLO	Under voltage lockout threshold	V_{IN} falling	1.6	1.7	2	V	
	Under voltage lockout hysteresis			70		mV	
	Thermal shutdown	Temperature rising		140		$^\circ C$	
LOGIC SIGNALS EN, PFM/PWM							
V_{IH}	High level input voltage	$V_{IN}=2.3V$ to $5.5V$	1.2			V	
V_{IL}	Low level input voltage	$V_{IN}=2.3V$ to $5.5V$			0.4	V	
I_{lkg}	Input leakage current	PFM/PWM, $EN=GND$ or V_{IN}		0.01	0.2	μA	
OUTPUT							
V_{OUT}	Output Voltage range		2.5		3.6	V	
V_{FB}	Feedback regulation voltage	TPS63024		0.8		V	
V_{FB}	Feedback voltage accuracy	PWM mode, TPS63024	-1%		1%		
V_{FB}	Feedback voltage accuracy ⁽¹⁾	PFM mode, TPS63024	-1%	1.3%	+3%		
V_{OUT}	Output voltage accuracy	PWM mode, TPS630241	2.871	2.9	2.929	V	
V_{OUT}	Output voltage accuracy ⁽¹⁾	PFM mode, TPS630241	2.871	2.938	2.987	V	
V_{OUT}	Output voltage accuracy	PWM mode, TPS630242	3.267	3.3	3.333	V	
V_{OUT}	Output voltage accuracy ⁽¹⁾	PFM mode, TPS630242	3.267	3.343	3.399	V	
$I_{PWM/PM}$	Output current to enter PFM mode	$V_{IN} = 3V$; $V_{OUT} = 3.3V$		350		mA	
I_{FB}	Feedback input bias current	$V_{FB} = 0.8V$		10	100	nA	
$R_{DS_Buck(on)}$	High side FET on-resistance	$V_{IN}=3.0V$, $V_{OUT}=3.3V$		35		m Ω	
	Low side FET on-resistance	$V_{IN}=3.0V$, $V_{OUT}=3.3V$		50		m Ω	
$R_{DS_Boost(on)}$	High side FET on-resistance	$V_{IN}=3.0V$, $V_{OUT}=3.3V$		25		m Ω	
	Low side FET on-resistance	$V_{IN}=3.0V$, $V_{OUT}=3.3V$		50		m Ω	
I_{IN}	Average input current limit ⁽²⁾	$V_{IN}=3.0V$, $V_{OUT}=3.3V$ $T_J= 25^\circ C$ to $125^\circ C$	2.12	3	3.54	A	
f_s	Switching Frequency			2.5		MHz	
R_{ON_DISC}	Discharge ON-Resistance	$EN=low$		120		Ω	
	Line regulation	$V_{IN}=2.8V$ to $5.5V$, $I_{OUT}=1.5A$		7.4		mV/ V	
	Load regulation	$V_{IN}=3.6V$, $I_{OUT}=0A$ to $1.5A$		2.5		mV/ A	

(1) Conditions: $L=1\mu H$, $C_{OUT}= 2 \times 22\mu F$.

(2) For variation of this parameter with Input voltage and temperature see [Figure 5](#). To calculate minimum output current in a specific working point see [Figure 5](#) and [Equation 1](#) through [Equation 4](#).

8.6 Timing Requirements

V_{IN} = 2.3V to 5.5V, T_J = -40°C to 125°C , typical values are at T_A = 25°C (unless otherwise noted)

PARAMETER		TEST CONDITIONS	MIN	TYP	MAX	UNIT
OUTPUT						
t_{SS}	Softstart time	EN=low to high, Buck mode $V_{IN}=3.6\text{V}$, $V_{OUT}=3.3\text{V}$, $I_{OUT}=1.5\text{A}$		450		μs
		EN=low to high, Boost mode $V_{IN}=2.8\text{V}$, $V_{OUT}=3.3\text{V}$, $I_{OUT}=1.5\text{A}$		700		μs
t_d	Start up delay	Time from when EN=high to when device starts switching		100		μs

8.7 Typical Characteristics

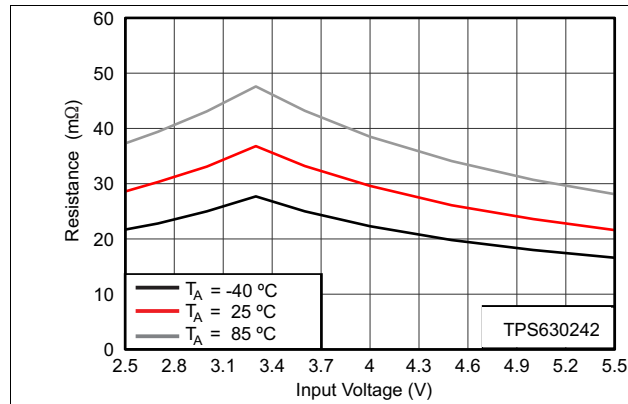


Figure 1. High Side FET On-Resistance vs VIN

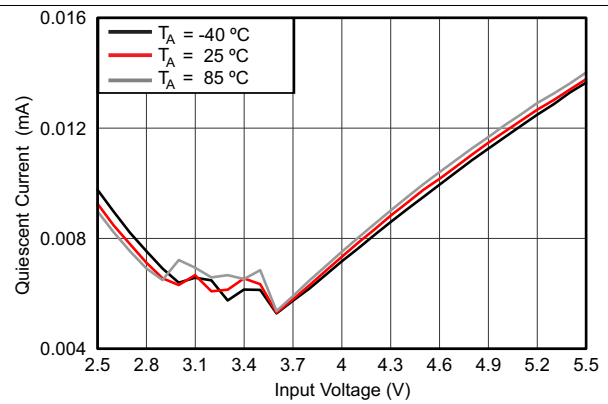


Figure 2. Quiescent Current vs Input Voltage

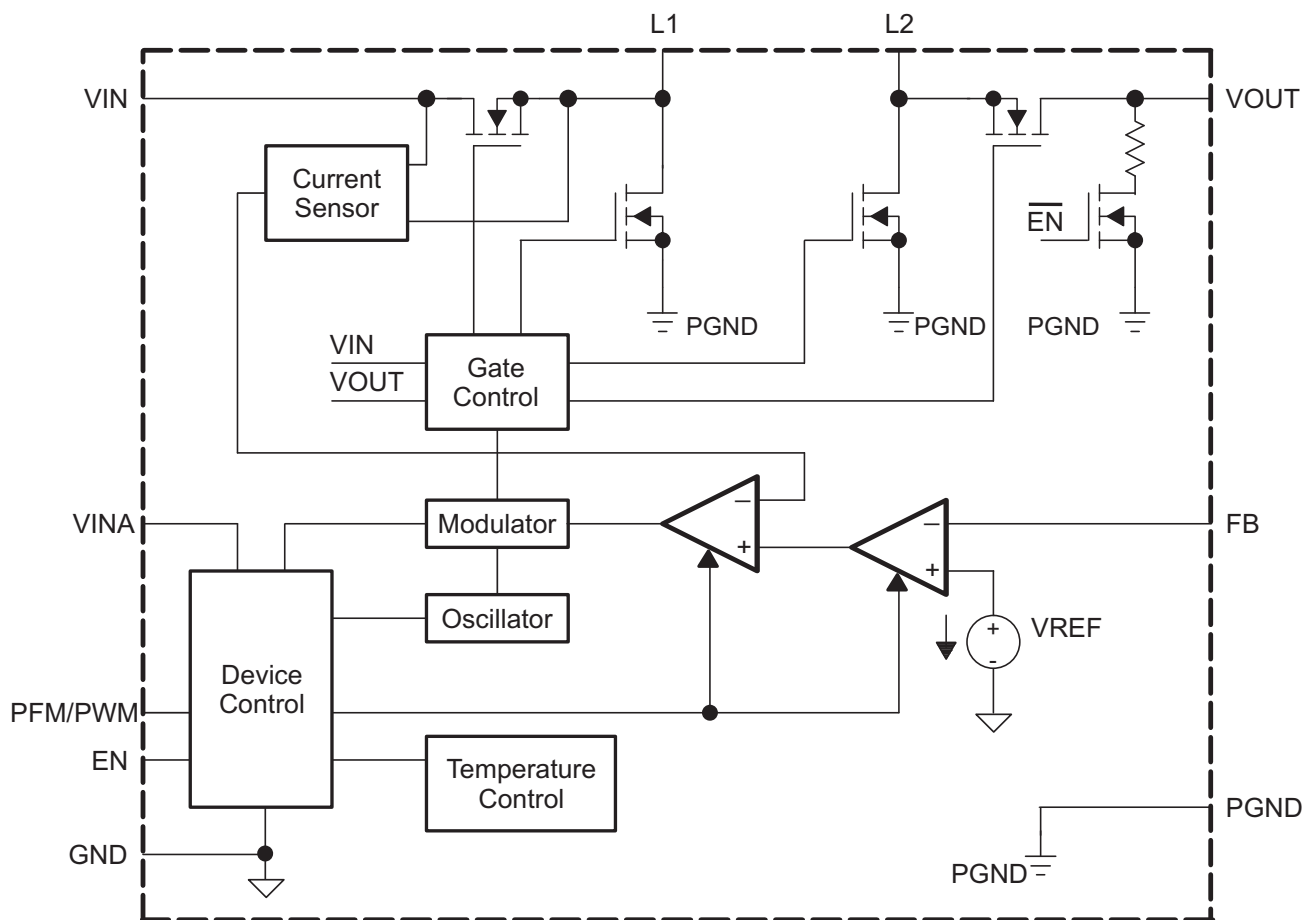
9 Detailed Description

9.1 Overview

The TPS63024x use 4 internal N-channel MOSFETs to maintain synchronous power conversion at all possible operating conditions. This enables the device to keep high efficiency over the complete input voltage and output power range. To regulate the output voltage at all possible input voltage conditions, the device automatically switches from buck operation to boost operation and back as required by the configuration. It always uses one active switch, one rectifying switch, one switch is held on, and one switch held off. Therefore, it operates as a buck converter when the input voltage is higher than the output voltage, and as a boost converter when the input voltage is lower than the output voltage. There is no mode of operation in which all 4 switches are switching at the same time. Keeping one switch on and one switch off eliminates their switching losses. The RMS current through the switches and the inductor is kept at a minimum, to minimize switching and conduction losses. Controlling the switches this way allows the converter to always keep higher efficiency.

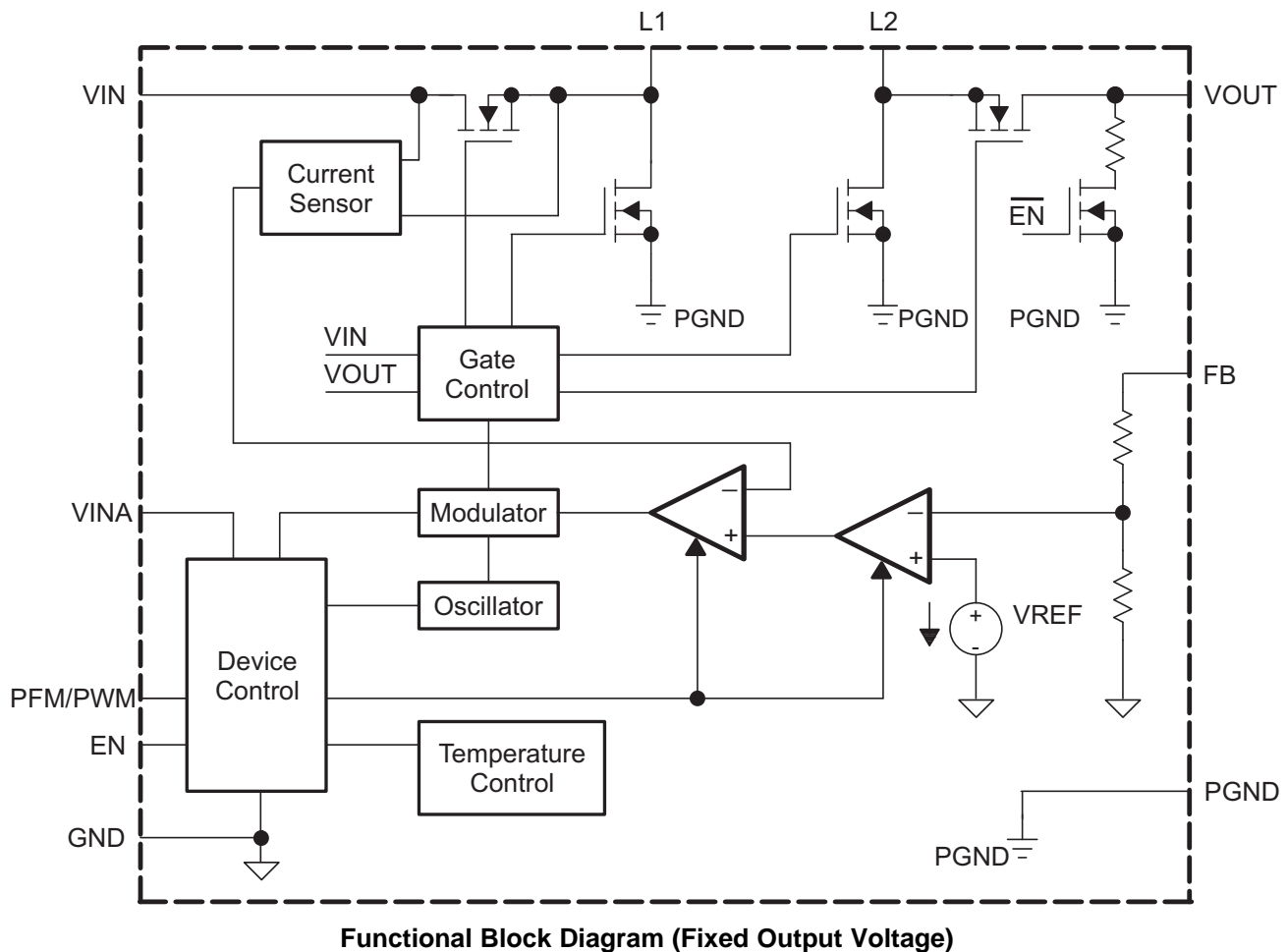
The device provides a seamless transition from buck to boost or from boost to buck operation.

9.2 Functional Block Diagram



Functional Block Diagram (Adjustable Output Voltage)

Functional Block Diagram (continued)



9.3 Feature Description

9.3.1 Undervoltage Lockout (UVLO)

To avoid mis-operation of the device at low input voltages, an undervoltage lockout is included. UVLO shuts down the device at input voltages lower than typically 1.7V with a 70 mV hysteresis.

9.3.2 Output Discharge Function

When the device is disabled by pulling enable low and the supply voltage is still applied, the internal transistor use to discharge the output capacitor is turned on, and the output capacitor is discharged until UVLO is reached. This means, if there is no supply voltage applied the output discharge function is also disabled. The transistor which is responsible of the discharge function, when turned on, operates like an equivalent 120Ω resistor, ensuring typically less than 10ms discharge time for 20μF output capacitance and a 3.3V output.

9.3.3 Thermal Shutdown

The device goes into thermal shutdown once the junction temperature exceeds typically 140°C.

Feature Description (continued)

9.3.4 Softstart

To minimize inrush current and output voltage overshoot during start up, the device has a Softstart. At turn on, the input current raises monotonically until the output voltage reaches regulation. During Softstart, the input current follows the current ramp charging the internal Softstart capacitor. The device smoothly ramps up the input current bringing the output voltage to its regulated value even if a large capacitor is connected at the output.

The Softstart time is measured as the time from when the EN pin is asserted to when the output voltage has reached 90% of its nominal value. There is typically a 100 μ s delay time from when the EN pin is asserted to when the device starts the switching activity. The Softstart time depends on the load current, the input voltage, and the output capacitor. The Softstart time in boost mode is longer than the time in buck mode. The total typical Softstart time is 1ms.

The inductor current is able to increase and always assure a soft start unless a real short circuit is applied at the output.

9.3.5 Short Circuit Protection

The TPS63024x provides short circuit protection to protect itself and the application. When the output voltage does not increase above 1.2V, the device assumes a short circuit at the output and limits the input current to 3A.

9.4 Device Functional Modes

9.4.1 Control Loop Description

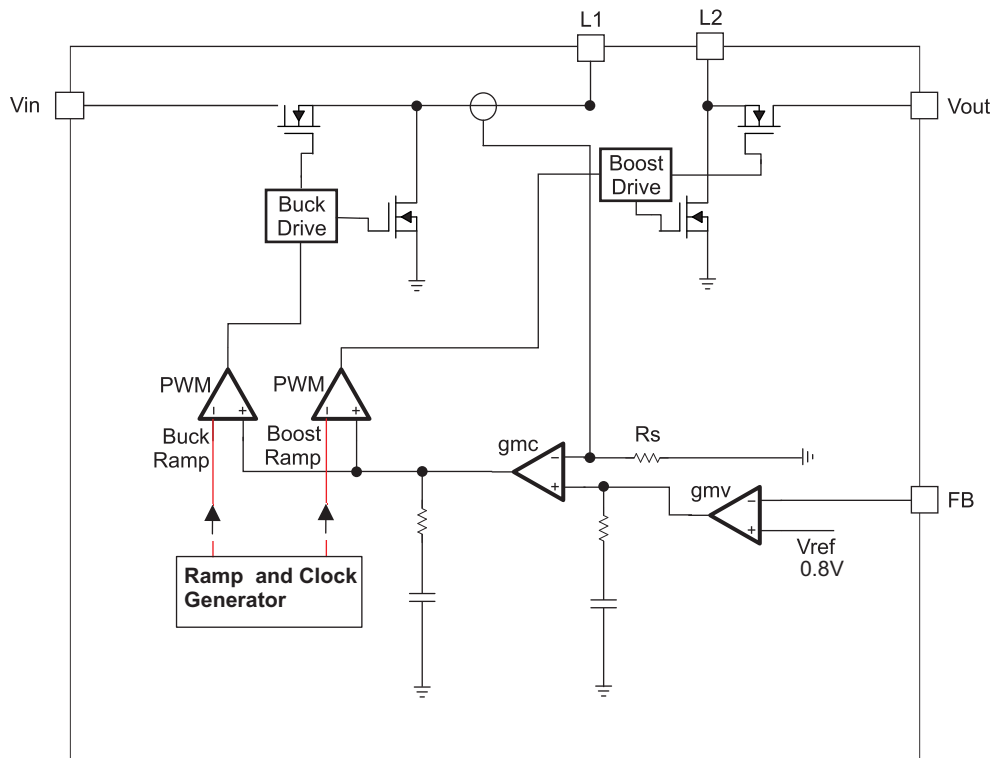


Figure 3. Average Current Mode Control

The controller circuit of the device is based on an average current mode topology. The average inductor current is regulated by a fast current regulator loop which is controlled by a voltage control loop. [Figure 3](#) shows the control loop.

The non inverting input of the transconductance amplifier, gmV , is assumed to be constant. The output of gmV defines the average inductor current. The inductor current is reconstructed by measuring the current through the high side buck MOSFET. This current corresponds exactly to the inductor current in boost mode. In buck mode the current is measured during the on time of the same MOSFET. During the off time, the current is reconstructed internally starting from the peak value at the end of the on time cycle. The average current and the feedback from the error amplifier gmV forms the correction signal gmc . This correction signal is compared to the buck and the boost sawtooth ramp giving the PWM signal. Depending on which of the two ramps the gmc output crosses either the Buck or the Boost stage is initiated. When the input voltage is close to the output voltage, one buck cycle is always followed by a boost cycle. In this condition, no more than three cycles in a row of the same mode are allowed. This control method in the buck-boost region ensures a robust control and the highest efficiency.

Device Functional Modes (continued)

9.4.2 Power Save Mode Operation

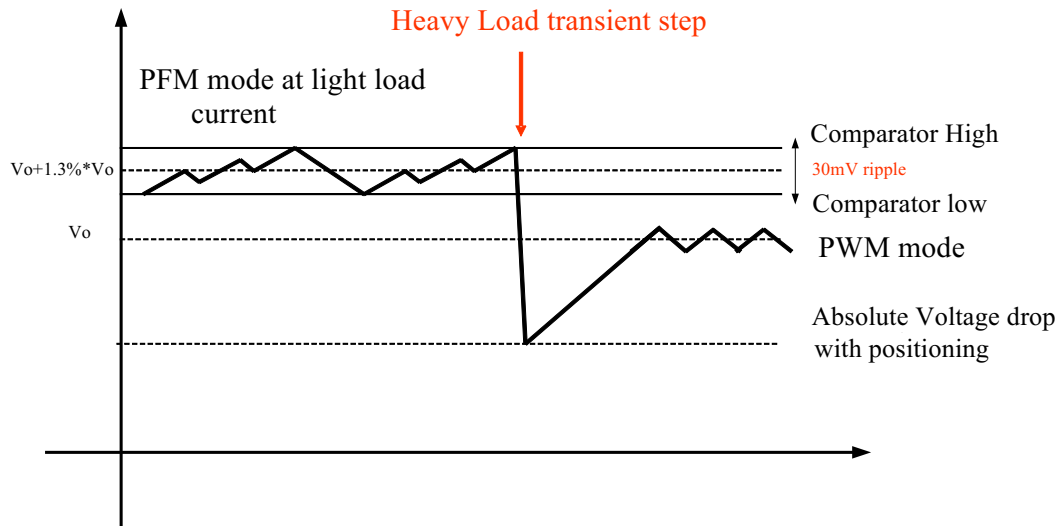


Figure 4. Power Save Mode Operation

Depending on the load current, in order to provide the best efficiency over the complete load range, the device works in PWM mode at load currents of approximately 350mA or higher. At lighter loads, the device switches automatically into Power Save Mode to reduce power consumption and extend battery life. The PFM/PWM pin is used to select between the two different operation modes. To enable Power Save Mode, the PFM/PWM pin must be set low.

During Power Save Mode, the part operates with a reduced switching frequency and lowest supply current to maintain high efficiency. The output voltage is monitored with a comparator at every clock cycle by the thresholds comp low and comp high. When the device enters Power Save Mode, the converter stops operating and the output voltage drops. The slope of the output voltage depends on the load and the output capacitance. When the output voltage reaches the comp low threshold, at the next clock cycle the device ramps up the output voltage again, by starting operation. Operation can last for one or several pulses until the comp high threshold is reached. At the next clock cycle, if the load is still lower than about 350mA, the device switches off again and the same operation is repeated. Instead, if at the next clock cycle, the load is above 350mA, the device automatically switches to PWM mode.

In order to keep high efficiency in PFM mode, there is only one comparator active to keep the output voltage regulated. The AC ripple in this condition is increased, compared to the PWM mode. The amplitude of this voltage ripple in the worst case scenario is 50mV pk-pk, (typically 30mV pk-pk), with 20μF effective output capacitance. In order to avoid a critical voltage drop when switching from 0A to full load, the output voltage in PFM mode is typically 1.3% above the nominal value in PWM mode. This is called Dynamic Voltage Positioning and allows the converter to operate with a small output capacitor and still have a low absolute voltage drop during heavy load transients.

Power Save Mode is disabled by setting the PFM/PWM pin high.

Device Functional Modes (continued)

9.4.3 Current Limit

The current limit variation depends on the difference between the input and output voltage. The maximum current limit value is at the highest difference.

Given the curves provided in [Figure 5](#), it is possible to calculate the output current reached in boost mode, using [Equation 1](#) and [Equation 2](#) and in buck mode using [Equation 3](#) and [Equation 4](#).

$$\text{Duty Cycle Boost} \quad D = \frac{V_{\text{OUT}} - V_{\text{IN}}}{V_{\text{OUT}}} \quad (1)$$

$$\text{Output Current Boost} \quad I_{\text{OUT}} = \eta \times I_{\text{IN}}(1-D) \quad (2)$$

$$\text{Duty Cycle Buck} \quad D = \frac{V_{\text{OUT}}}{V_{\text{IN}}} \quad (3)$$

$$\text{Output Current Buck} \quad I_{\text{OUT}} = (\eta \times I_{\text{IN}}) / D \quad (4)$$

With,

η = Estimated converter efficiency (use the number from the efficiency curves or 0.90 as an assumption)

I_{IN} = Minimum average input current ([Figure 5](#))

9.4.4 Supply and Ground

The TPS63024x provides two input pins (VIN and VINA) and two ground pins (PGND and GND).

The VIN pin supplies the input power, while the VINA pin provides voltage for the control circuits. A similar approach is used for the ground pins. GND and PGND are used to avoid ground shift problems due to the high currents in the switches. The reference for all control functions is the GND pin. The power switches are connected to PGND. Both grounds must be connected on the PCB at only one point, ideally, close to the GND pin.

9.4.5 Device Enable

The device starts operation when the EN pin is set high. The device enters shutdown mode when the EN pin is set low. In shutdown mode, the regulator stops switching, all internal control circuitry is switched off, and the load is disconnected from the input.

10 Application and Implementation

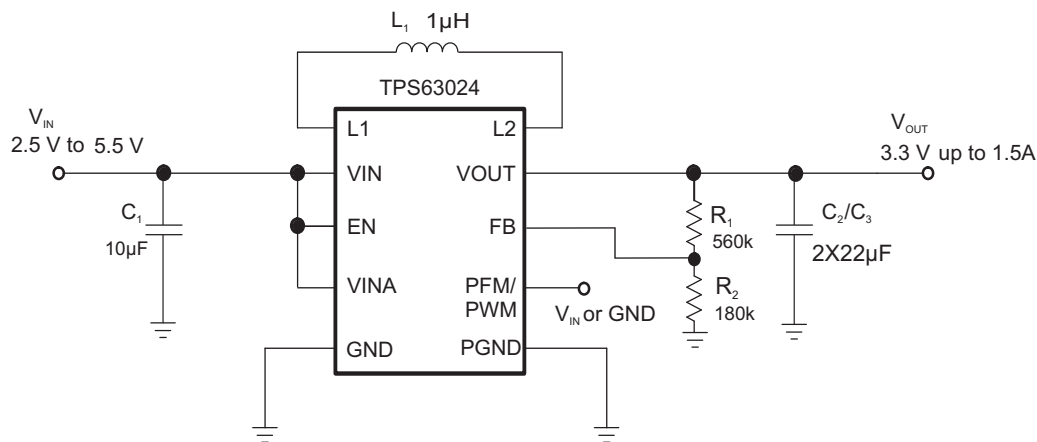
NOTE

Information in the following applications sections is not part of the TI component specification, and TI does not warrant its accuracy or completeness. TI's customers are responsible for determining suitability of components for their purposes. Customers should validate and test their design implementation to confirm system functionality.

10.1 Application Information

The TPS63024x are high efficiency, low quiescent current buck-boost converters suitable for application where the input voltage is higher, lower or equal to the output. Output currents can go as high as 1.5A in boost mode and as high as 3A in buck mode. The maximum average current in the switches is limited to a typical value of 3A.

10.2 Typical Application



3.3V Adjustable Version

10.2.1 Design Requirements

The design guideline provides a component selection to operate the device within the recommended operating conditions.

Table 1 shows the list of components for the Application Characteristic Curves.

Table 1. Components for Application Characteristic Curves⁽¹⁾

REFERENCE	DESCRIPTION	MANUFACTURER
	TPS63024	Texas Instruments
L1	1 µH, 8.75A, 13mΩ, SMD	XAL4020-102MEB, Coilcraft
C1	10 µF 6.3V, 0603, X5R ceramic	Standard
C2,C3	22 µF 6.3V, 0603, X5R ceramic	Standard
R1	560kΩ	Standard
R2	180kΩ	Standard

(1) See [Third-Party Products Disclaimer](#)

10.2.2 Detailed Design Procedure

The first step is the selection of the output filter components. To simplify this process Table 2 outline possible inductor and capacitor value combinations.

10.2.2.1 Output Filter Design

Table 2. Matrix of Output Capacitor and Inductor Combinations

NOMINAL INDUCTOR VALUE [μH] ⁽¹⁾	NOMINAL OUTPUT CAPACITOR VALUE [μF] ⁽²⁾				
	44	47	66	88	100
0.680			+	+	+
1.0	+ ⁽³⁾	+	+	+	+
1.5			+	+	+

(1) Inductor tolerance and current de-rating is anticipated. The effective inductance can vary by 20% and –30%.

(2) Capacitance tolerance and bias voltage de-rating is anticipated. The effective capacitance can vary by 20% and –50%.

(3) Typical application. Other check mark indicates recommended filter combinations

10.2.2.2 Inductor Selection

The inductor selection is affected by several parameter like inductor ripple current, output voltage ripple, transition point into Power Save Mode, and efficiency. See [Table 3](#) for typical inductors.

Table 3. List of Recommended Inductors⁽¹⁾

INDUCTOR VALUE	COMPONENT SUPPLIER	SIZE (LxWxH mm)	Isat/DCR
1 μH	Coilcraft XAL4020-102ME	4 X 4 X 2.10	4.5A/10mΩ
1 μH	Toko, DFE322512C	3.2 X 2.5 X 1.2	4.7A/34mΩ
1 μH	TDK, SPM4012	4.4 X 4.1 X 1.2	4.1A/38mΩ
1 μH	Wuerth, 74438334010	3 X 3 X 1.2	6.6A/42.10mΩ
0.6 μH	Coilcraft XFL4012-601ME	4 X 4 X 1.2	5A/17.40mΩ
0.68μH	Wuerth,744383340068	3 X 3 X 1.2	7.7A/36mΩ

(1) See [Third-Party Products Disclaimer](#)

For high efficiencies, the inductor should have a low dc resistance to minimize conduction losses. Especially at high-switching frequencies, the core material has a high impact on efficiency. When using small chip inductors, the efficiency is reduced mainly due to higher inductor core losses. This needs to be considered when selecting the appropriate inductor. The inductor value determines the inductor ripple current. The larger the inductor value, the smaller the inductor ripple current and the lower the conduction losses of the converter. Conversely, larger inductor values cause a slower load transient response. To avoid saturation of the inductor, the peak current for the inductor in steady state operation is calculated using Equation 6. Only the equation which defines the switch current in boost mode is shown, because this provides the highest value of current and represents the critical current value for selecting the right inductor.

$$\text{Duty Cycle Boost } D = \frac{V_{\text{OUT}} - V_{\text{IN}}}{V_{\text{OUT}}} \quad (5)$$

$$I_{\text{PEAK}} = \frac{I_{\text{out}}}{\eta \times (1 - D)} + \frac{V_{\text{in}} \times D}{2 \times f \times L} \quad (6)$$

Where,

D =Duty Cycle in Boost mode

f = Converter switching frequency (typical 2.5MHz)

L = Inductor value

η = Estimated converter efficiency (use the number from the efficiency curves or 0.90 as an assumption)

Note: The calculation must be done for the minimum input voltage which is possible to have in boost mode

Calculating the maximum inductor current using the actual operating conditions gives the minimum saturation current of the inductor needed. It's recommended to choose an inductor with a saturation current 20% higher than the value calculated using [Equation 6](#). Possible inductors are listed in [Table 3](#).

10.2.2.3 Capacitor Selection

10.2.2.3.1 Input Capacitor

At least a 10µF input capacitor is recommended to improve line transient behavior of the regulator and EMI behavior of the total power supply circuit. An X5R or X7R ceramic capacitor placed as close as possible to the VIN and PGND pins of the IC is recommended. This capacitance can be increased without limit. If the input supply is located more than a few inches from the TPS63024x converter additional bulk capacitance may be required in addition to the ceramic bypass capacitors. An electrolytic or tantalum capacitor with a value of 47 µF is a typical choice.

10.2.2.3.2 Output Capacitor

For the output capacitor, use of a small ceramic capacitors placed as close as possible to the VOUT and PGND pins of the IC is recommended. The recommended nominal output capacitance value is 20µF with a variance as outlined in [Table 2](#).

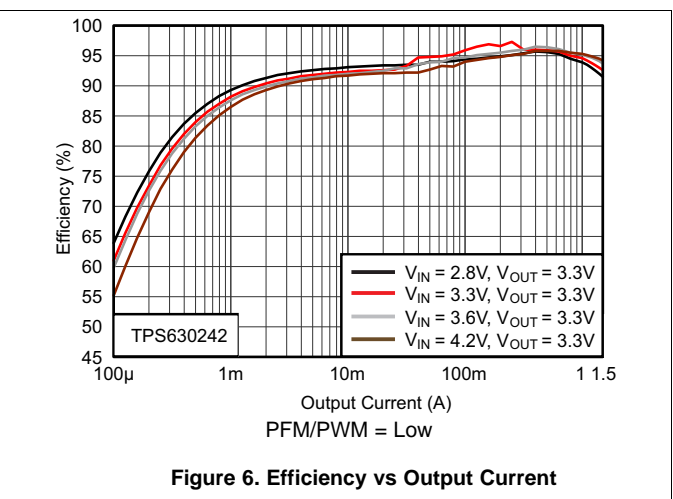
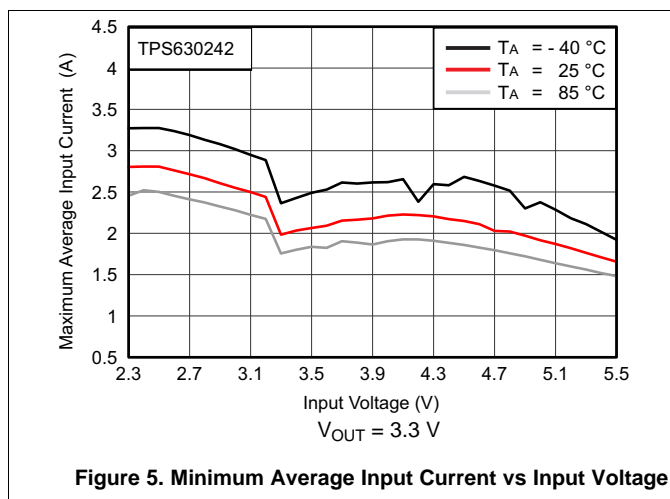
There is also no upper limit for the output capacitance value. Larger capacitors causes lower output voltage ripple as well as lower output voltage drop during load transients.

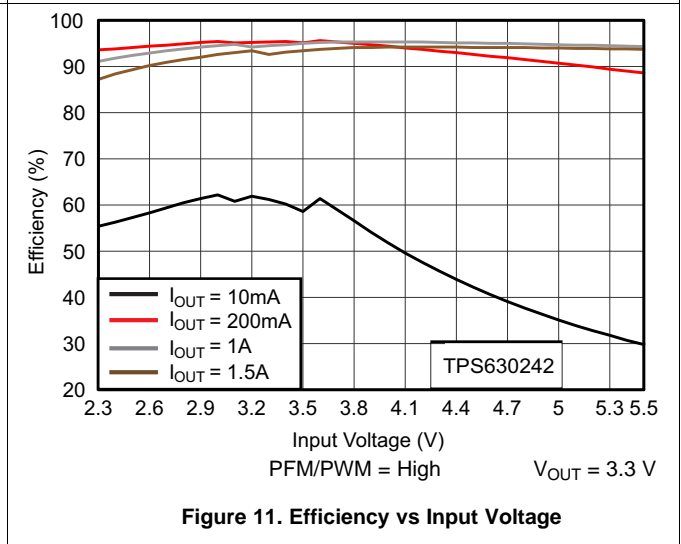
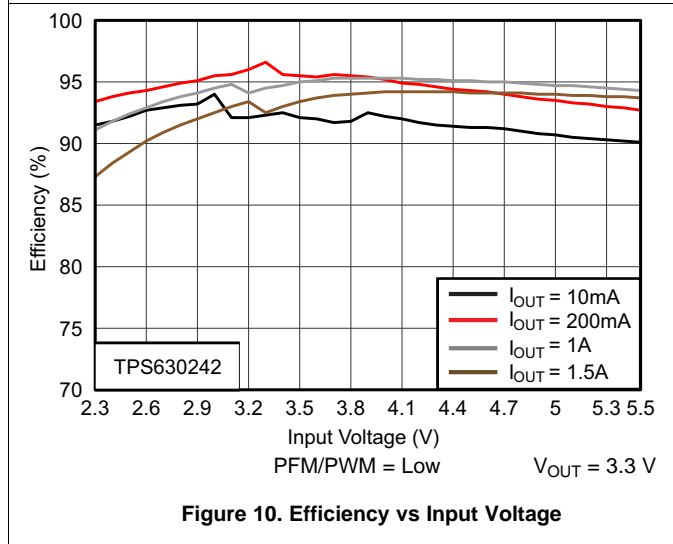
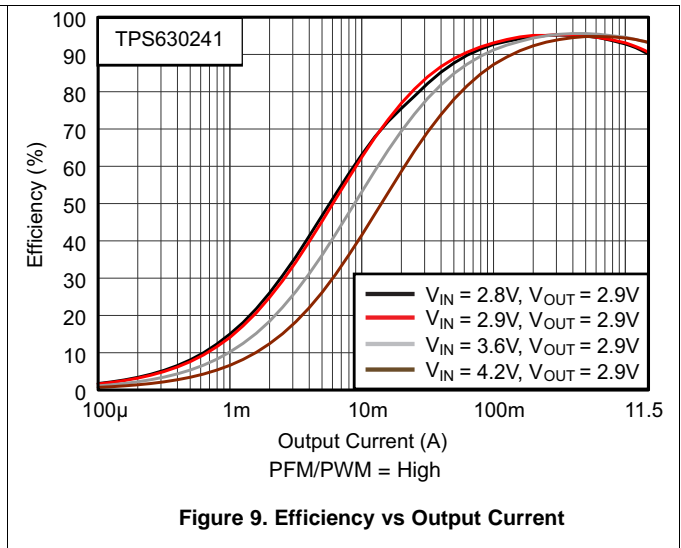
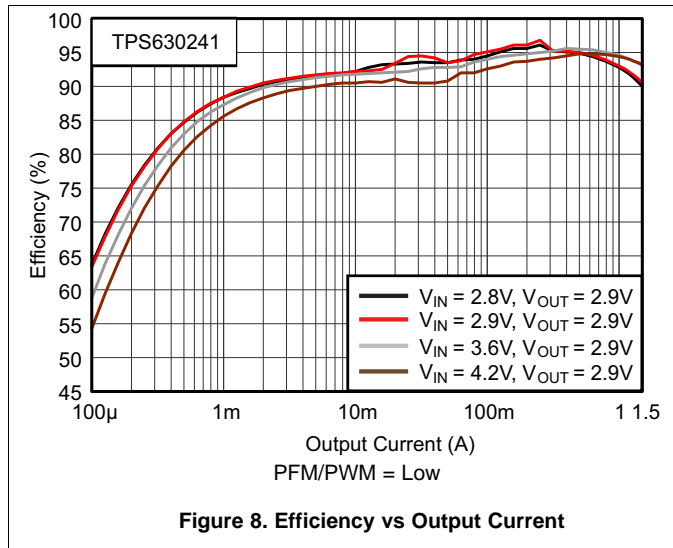
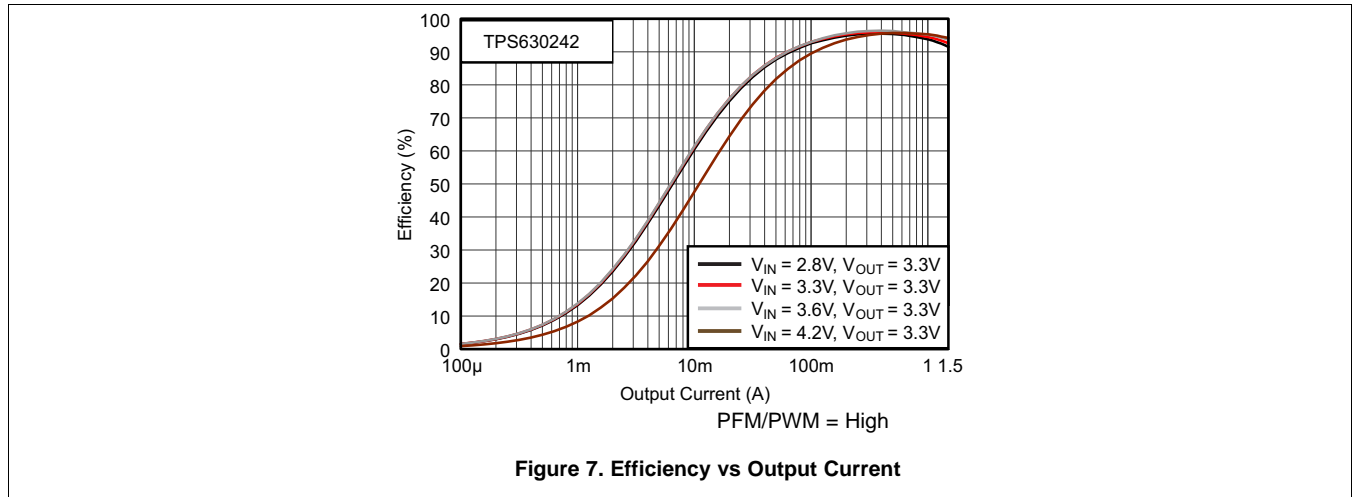
10.2.2.4 Setting The Output Voltage

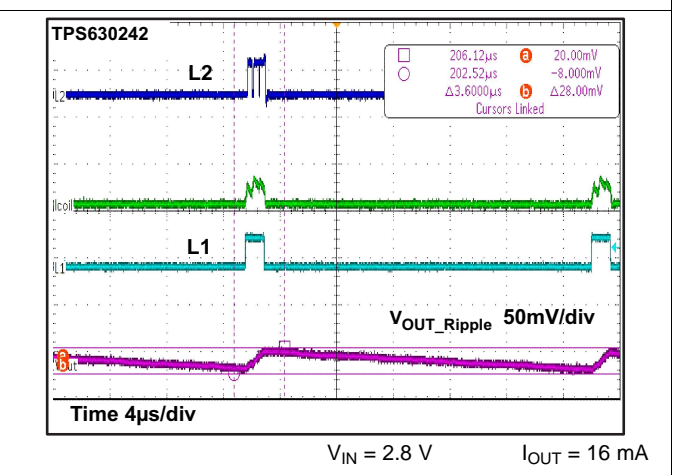
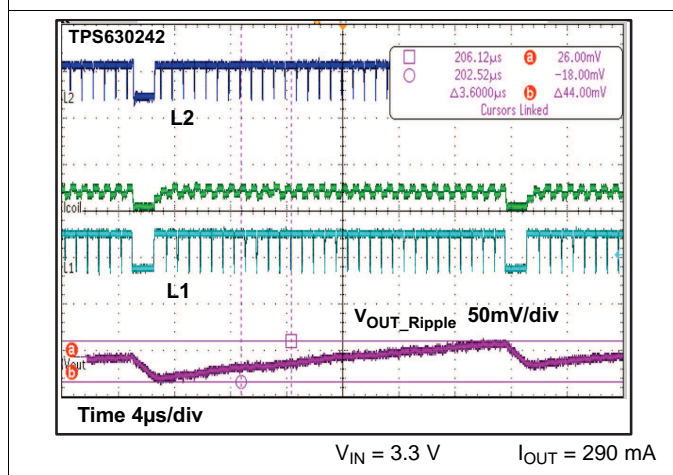
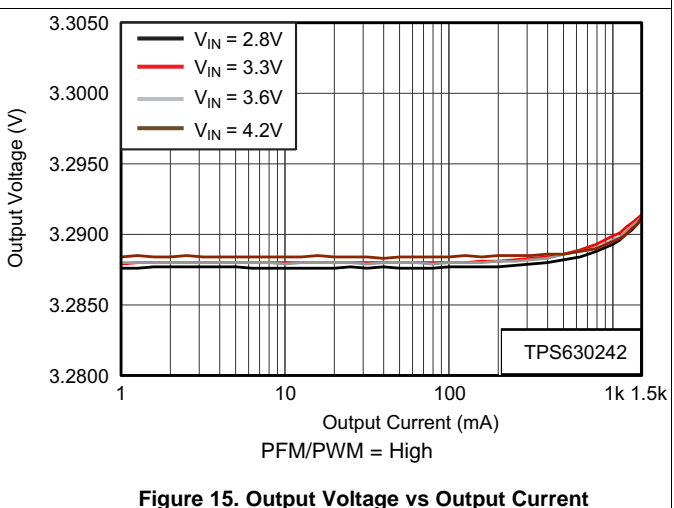
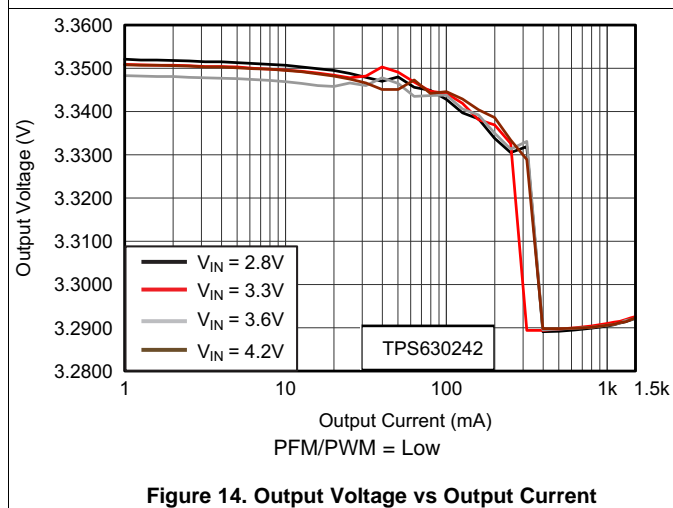
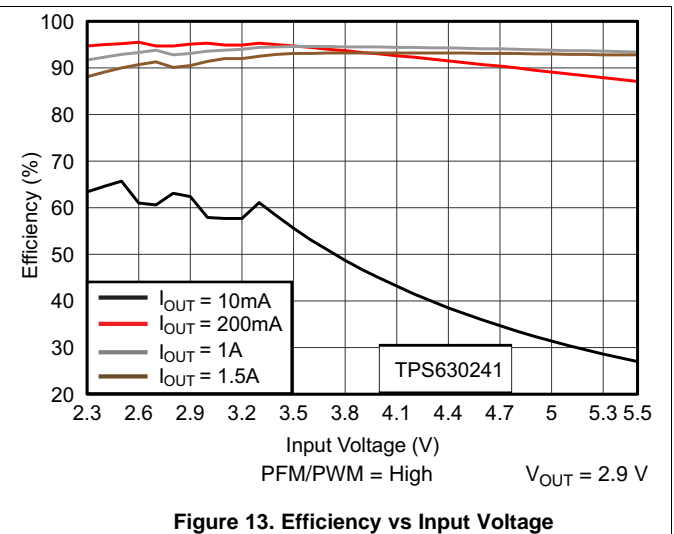
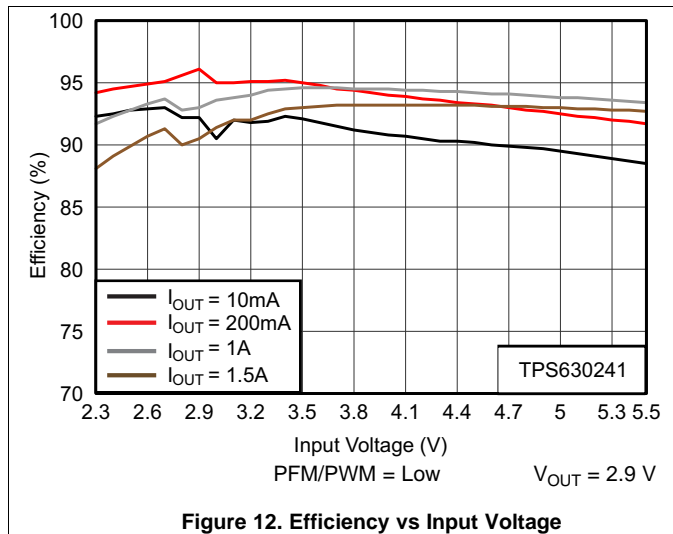
When the adjustable output voltage version TPS63024x is used, the output voltage is set by an external resistor divider. The resistor divider must be connected between VOUT, FB and GND. When the output voltage is regulated properly, the typical value of the voltage at the FB pin is 800mV. The current through the resistive divider should be about 10 times greater than the current into the FB pin. The typical current into the FB pin is 0.1µA, and the voltage across the resistor between FB and GND, R₂, is typically 800 mV. Based on these two values, the recommended value for R₂ should be lower than 180kΩ, in order to set the divider current at 4µA or higher. It is recommended to keep the value for this resistor in the range of 180kΩ. From that, the value of the resistor connected between VOUT and FB, R₁, depending on the needed output voltage (V_{OUT}), can be calculated using [Equation 7](#):

$$R1 = R2 \times \left(\frac{V_{OUT}}{V_{FB}} - 1 \right) \tag{7}$$

10.2.3 Application Curves







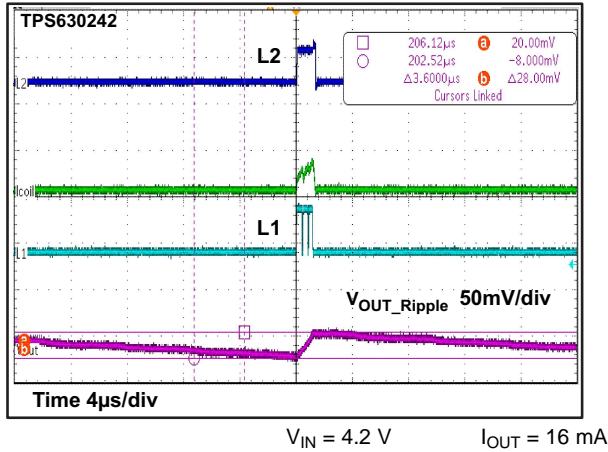


Figure 18. Output Voltage Ripple in Buck Mode and PFM Operation

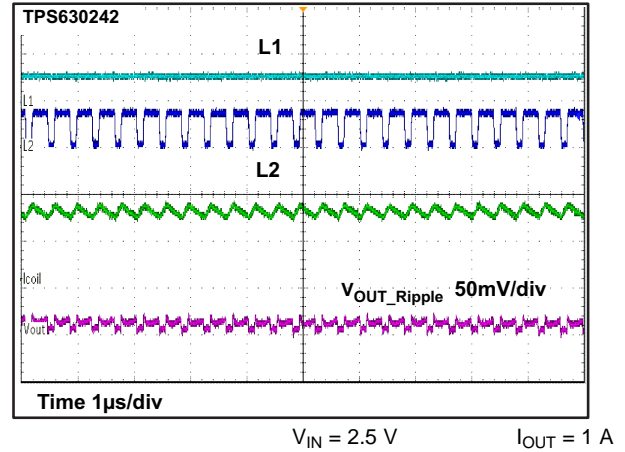


Figure 19. Switching Waveforms in Boost Mode and PWM Operation

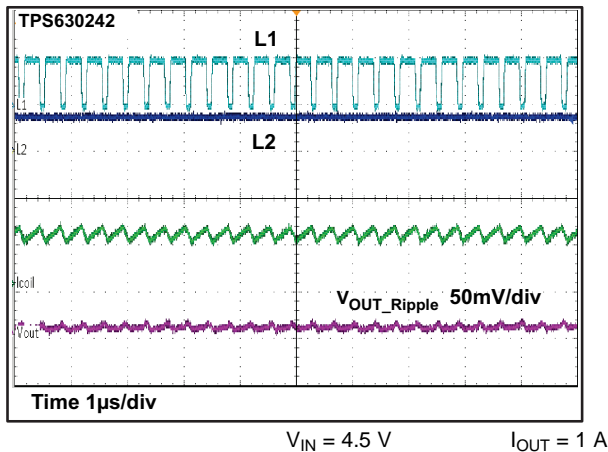


Figure 20. Switching Waveforms in Buck Mode and PWM Operation

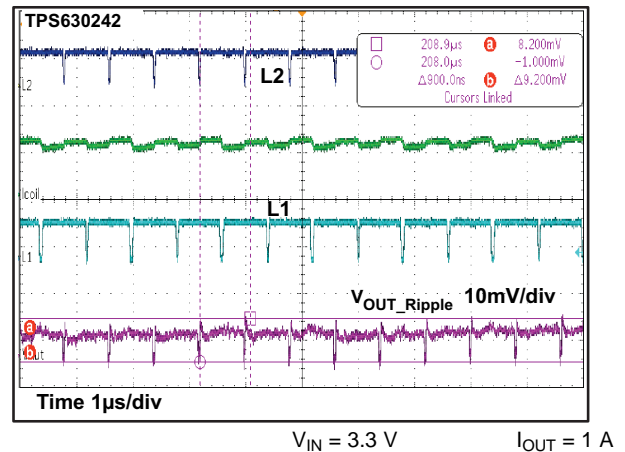


Figure 21. Switching Waveforms in Buck-Boost Mode and PWM Operation

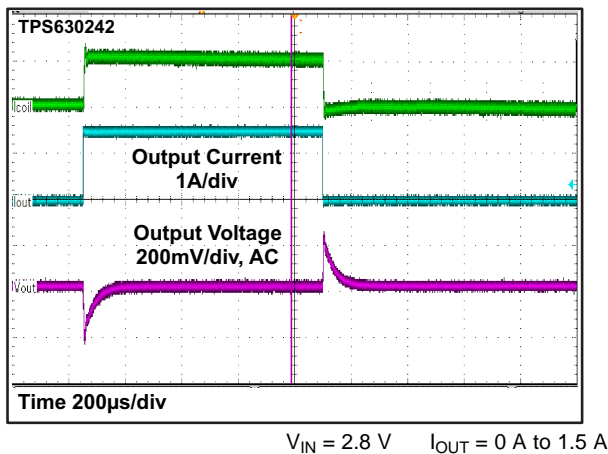


Figure 22. Load Transient Response Boost Mode

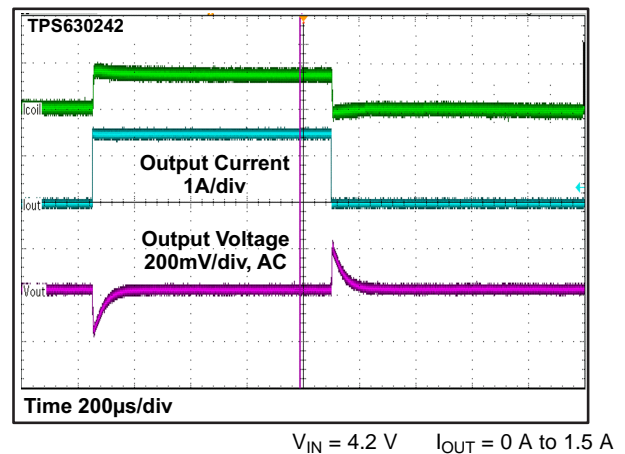


Figure 23. Load Transient Response Buck Mode

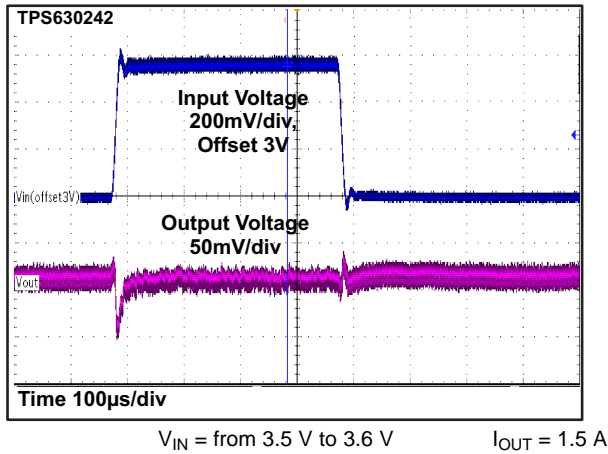


Figure 24. Line Transient Response

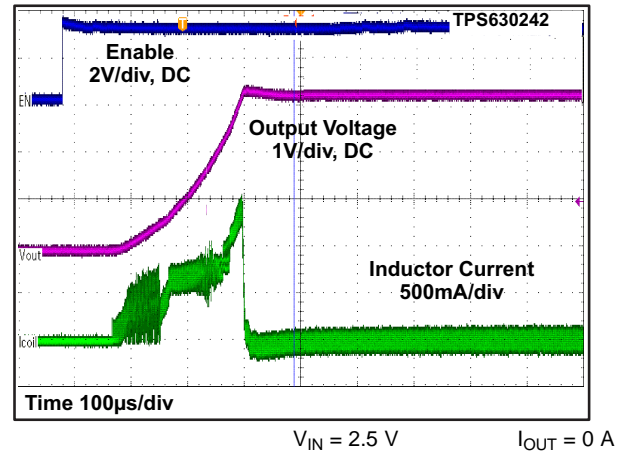


Figure 25. Start Up After Enable

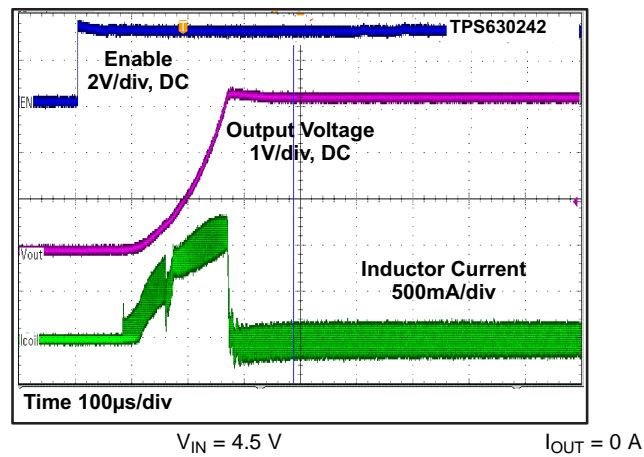


Figure 26. Start Up After Enable

11 Power Supply Recommendations

The TPS63024x device family has no special requirements for its input power supply. The input power supply's output current needs to be rated according to the supply voltage, output voltage and output current of the TPS63024x.

12 Layout

12.1 Layout Guidelines

The PCB layout is an important step to maintain the high performance of the TPS63024x devices.

- Place input and output capacitors as close as possible to the IC. Traces need to be kept short. Routing wide and direct traces to the input and output capacitor results in low trace resistance and low parasitic inductance.
- Use a common-power GND.
- The sense trace connected to FB is signal trace. Keep these traces away from L1 and L2 nodes.

12.2 Layout Example

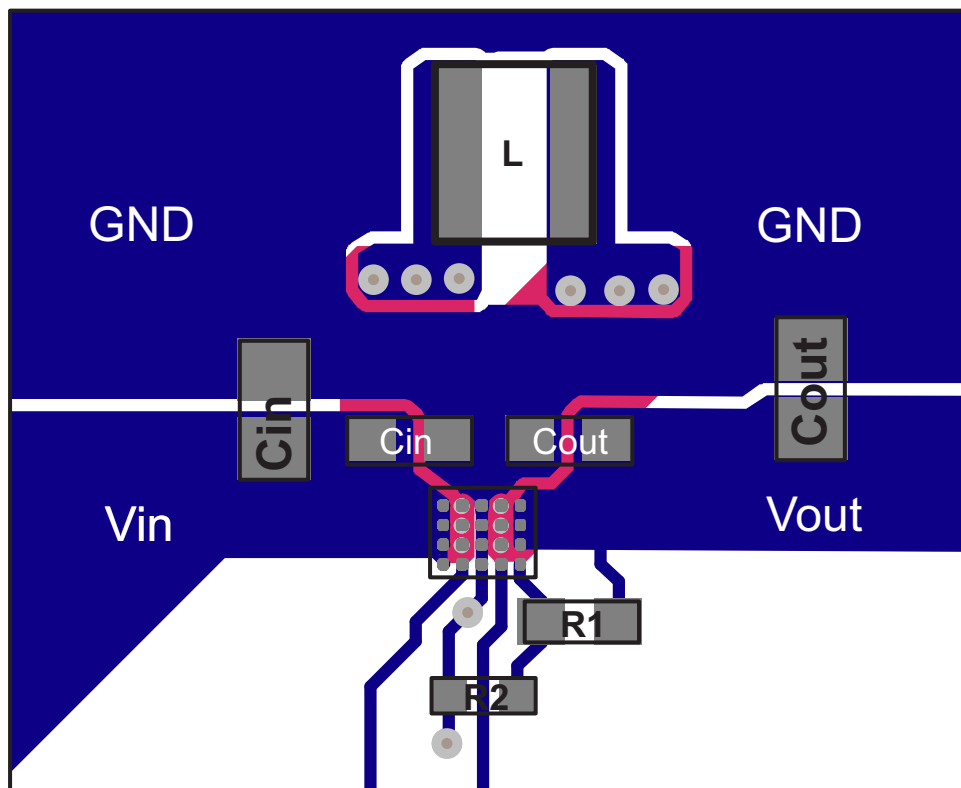


Figure 27. TPS63024x Layout

13 Device and Documentation Support

13.1 Device Support

13.1.1 Third-Party Products Disclaimer

TI'S PUBLICATION OF INFORMATION REGARDING THIRD-PARTY PRODUCTS OR SERVICES DOES NOT CONSTITUTE AN ENDORSEMENT REGARDING THE SUITABILITY OF SUCH PRODUCTS OR SERVICES OR A WARRANTY, REPRESENTATION OR ENDORSEMENT OF SUCH PRODUCTS OR SERVICES, EITHER ALONE OR IN COMBINATION WITH ANY TI PRODUCT OR SERVICE.

13.2 Documentation Support

13.2.1 Related Documentation

For related documentation see the following:

TPS63024EVM-553 User's Guide, *TPS63024 High Current, High Efficiency Single Inductor Buck-Boost Converter*, [SLVUA24](#)

13.3 Related Links

The table below lists quick access links. Categories include technical documents, support and community resources, tools and software, and quick access to sample or buy.

Table 4. Related Links

PARTS	PRODUCT FOLDER	SAMPLE & BUY	TECHNICAL DOCUMENTS	TOOLS & SOFTWARE	SUPPORT & COMMUNITY
TPS63024	Click here	Click here	Click here	Click here	Click here
TPS630241	Click here	Click here	Click here	Click here	Click here
TPS630242	Click here	Click here	Click here	Click here	Click here

13.4 Trademarks

All trademarks are the property of their respective owners.

13.5 Electrostatic Discharge Caution



These devices have limited built-in ESD protection. The leads should be shorted together or the device placed in conductive foam during storage or handling to prevent electrostatic damage to the MOS gates.

13.6 Glossary

[SLYZ022](#) — *TI Glossary*.

This glossary lists and explains terms, acronyms, and definitions.

14 Mechanical, Packaging, and Orderable Information

The following pages include mechanical, packaging, and orderable information. This information is the most current data available for the designated devices. This data is subject to change without notice and revision of this document. For browser-based versions of this data sheet, refer to the left-hand navigation.

PACKAGING INFORMATION

Orderable Device	Status (1)	Package Type	Package Drawing	Pins	Package Qty	Eco Plan (2)	Lead/Ball Finish (6)	MSL Peak Temp (3)	Op Temp (°C)	Device Marking (4/5)	Samples
TPS630241YFFR	ACTIVE	DSBGA	YFF	20	3000	Green (RoHS & no Sb/Br)	SNAGCU	Level-1-260C-UNLIM	-40 to 85	TPS 630241	Samples
TPS630241YFFT	ACTIVE	DSBGA	YFF	20	250	Green (RoHS & no Sb/Br)	SNAGCU	Level-1-260C-UNLIM	-40 to 85	TPS 630241	Samples
TPS630242YFFR	ACTIVE	DSBGA	YFF	20	3000	Green (RoHS & no Sb/Br)	SNAGCU	Level-1-260C-UNLIM	-40 to 85	TPS 630242	Samples
TPS630242YFFT	ACTIVE	DSBGA	YFF	20	250	Green (RoHS & no Sb/Br)	SNAGCU	Level-1-260C-UNLIM	-40 to 85	TPS 630242	Samples
TPS63024YFFR	ACTIVE	DSBGA	YFF	20	3000	Green (RoHS & no Sb/Br)	SNAGCU	Level-1-260C-UNLIM	-40 to 85	TPS 63024	Samples
TPS63024YFFT	ACTIVE	DSBGA	YFF	20	250	Green (RoHS & no Sb/Br)	SNAGCU	Level-1-260C-UNLIM	-40 to 85	TPS 63024	Samples

(1) The marketing status values are defined as follows:

ACTIVE: Product device recommended for new designs.

LIFEBUY: TI has announced that the device will be discontinued, and a lifetime-buy period is in effect.

NRND: Not recommended for new designs. Device is in production to support existing customers, but TI does not recommend using this part in a new design.

PREVIEW: Device has been announced but is not in production. Samples may or may not be available.

OBSOLETE: TI has discontinued the production of the device.

(2) Eco Plan - The planned eco-friendly classification: Pb-Free (RoHS), Pb-Free (RoHS Exempt), or Green (RoHS & no Sb/Br) - please check <http://www.ti.com/productcontent> for the latest availability information and additional product content details.

TBD: The Pb-Free/Green conversion plan has not been defined.

Pb-Free (RoHS): TI's terms "Lead-Free" or "Pb-Free" mean semiconductor products that are compatible with the current RoHS requirements for all 6 substances, including the requirement that lead not exceed 0.1% by weight in homogeneous materials. Where designed to be soldered at high temperatures, TI Pb-Free products are suitable for use in specified lead-free processes.

Pb-Free (RoHS Exempt): This component has a RoHS exemption for either 1) lead-based flip-chip solder bumps used between the die and package, or 2) lead-based die adhesive used between the die and leadframe. The component is otherwise considered Pb-Free (RoHS compatible) as defined above.

Green (RoHS & no Sb/Br): TI defines "Green" to mean Pb-Free (RoHS compatible), and free of Bromine (Br) and Antimony (Sb) based flame retardants (Br or Sb do not exceed 0.1% by weight in homogeneous material)

(3) MSL, Peak Temp. - The Moisture Sensitivity Level rating according to the JEDEC industry standard classifications, and peak solder temperature.

(4) There may be additional marking, which relates to the logo, the lot trace code information, or the environmental category on the device.

(5) Multiple Device Markings will be inside parentheses. Only one Device Marking contained in parentheses and separated by a "~" will appear on a device. If a line is indented then it is a continuation of the previous line and the two combined represent the entire Device Marking for that device.

⁽⁶⁾ Lead/Ball Finish - Orderable Devices may have multiple material finish options. Finish options are separated by a vertical ruled line. Lead/Ball Finish values may wrap to two lines if the finish value exceeds the maximum column width.

Important Information and Disclaimer: The information provided on this page represents TI's knowledge and belief as of the date that it is provided. TI bases its knowledge and belief on information provided by third parties, and makes no representation or warranty as to the accuracy of such information. Efforts are underway to better integrate information from third parties. TI has taken and continues to take reasonable steps to provide representative and accurate information but may not have conducted destructive testing or chemical analysis on incoming materials and chemicals. TI and TI suppliers consider certain information to be proprietary, and thus CAS numbers and other limited information may not be available for release.

In no event shall TI's liability arising out of such information exceed the total purchase price of the TI part(s) at issue in this document sold by TI to Customer on an annual basis.

TAPE AND REEL INFORMATION



QUADRANT ASSIGNMENTS FOR PIN 1 ORIENTATION IN TAPE



*All dimensions are nominal

Device	Package Type	Package Drawing	Pins	SPQ	Reel Diameter (mm)	Reel Width W1 (mm)	A0 (mm)	B0 (mm)	K0 (mm)	P1 (mm)	W (mm)	Pin1 Quadrant
TPS630241YFFR	DSBGA	YFF	20	3000	180.0	8.4	1.89	2.2	0.69	4.0	8.0	Q1
TPS630241YFFT	DSBGA	YFF	20	250	180.0	8.4	1.89	2.2	0.69	4.0	8.0	Q1
TPS630242YFFR	DSBGA	YFF	20	3000	180.0	8.4	1.89	2.2	0.69	4.0	8.0	Q1
TPS630242YFFT	DSBGA	YFF	20	250	180.0	8.4	1.89	2.2	0.69	4.0	8.0	Q1
TPS63024YFFR	DSBGA	YFF	20	3000	180.0	8.4	1.89	2.2	0.69	4.0	8.0	Q1
TPS63024YFFT	DSBGA	YFF	20	250	180.0	8.4	1.89	2.2	0.69	4.0	8.0	Q1

TAPE AND REEL BOX DIMENSIONS

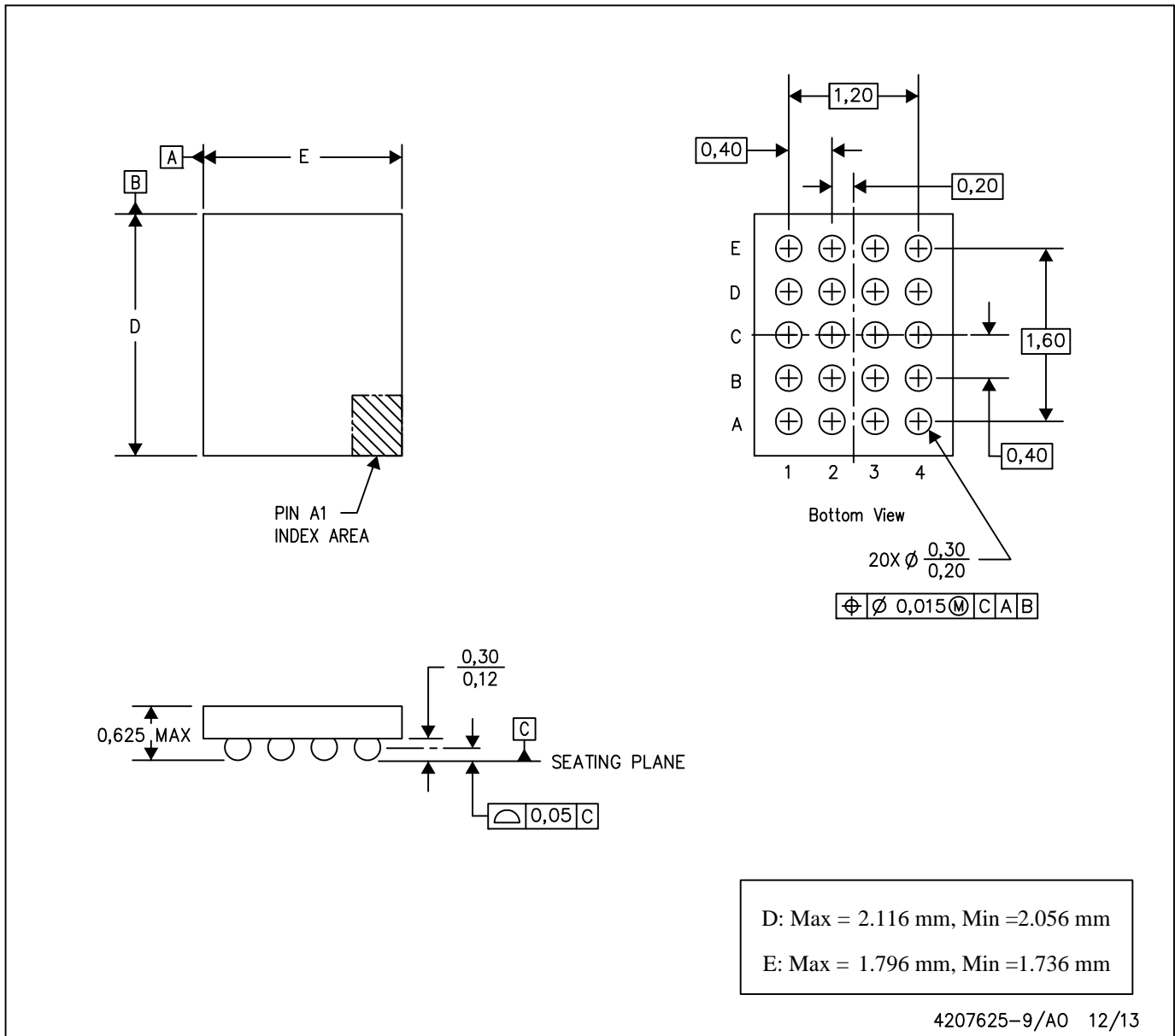

*All dimensions are nominal

Device	Package Type	Package Drawing	Pins	SPQ	Length (mm)	Width (mm)	Height (mm)
TPS630241YFFR	DSBGA	YFF	20	3000	182.0	182.0	17.0
TPS630241YFFT	DSBGA	YFF	20	250	182.0	182.0	17.0
TPS630242YFFR	DSBGA	YFF	20	3000	182.0	182.0	17.0
TPS630242YFFT	DSBGA	YFF	20	250	182.0	182.0	17.0
TPS63024YFFR	DSBGA	YFF	20	3000	182.0	182.0	17.0
TPS63024YFFT	DSBGA	YFF	20	250	182.0	182.0	17.0

MECHANICAL DATA

YFF (R-XBGA-N20)

DIE-SIZE BALL GRID ARRAY



- NOTES: A. All linear dimensions are in millimeters. Dimensioning and tolerancing per ASME Y14.5M-1994.
 B. This drawing is subject to change without notice.
 C. NanoFree™ package configuration.

NanoFree is a trademark of Texas Instruments.

IMPORTANT NOTICE

Texas Instruments Incorporated and its subsidiaries (TI) reserve the right to make corrections, enhancements, improvements and other changes to its semiconductor products and services per JESD46, latest issue, and to discontinue any product or service per JESD48, latest issue. Buyers should obtain the latest relevant information before placing orders and should verify that such information is current and complete. All semiconductor products (also referred to herein as "components") are sold subject to TI's terms and conditions of sale supplied at the time of order acknowledgment.

TI warrants performance of its components to the specifications applicable at the time of sale, in accordance with the warranty in TI's terms and conditions of sale of semiconductor products. Testing and other quality control techniques are used to the extent TI deems necessary to support this warranty. Except where mandated by applicable law, testing of all parameters of each component is not necessarily performed.

TI assumes no liability for applications assistance or the design of Buyers' products. Buyers are responsible for their products and applications using TI components. To minimize the risks associated with Buyers' products and applications, Buyers should provide adequate design and operating safeguards.

TI does not warrant or represent that any license, either express or implied, is granted under any patent right, copyright, mask work right, or other intellectual property right relating to any combination, machine, or process in which TI components or services are used. Information published by TI regarding third-party products or services does not constitute a license to use such products or services or a warranty or endorsement thereof. Use of such information may require a license from a third party under the patents or other intellectual property of the third party, or a license from TI under the patents or other intellectual property of TI.

Reproduction of significant portions of TI information in TI data books or data sheets is permissible only if reproduction is without alteration and is accompanied by all associated warranties, conditions, limitations, and notices. TI is not responsible or liable for such altered documentation. Information of third parties may be subject to additional restrictions.

Resale of TI components or services with statements different from or beyond the parameters stated by TI for that component or service voids all express and any implied warranties for the associated TI component or service and is an unfair and deceptive business practice. TI is not responsible or liable for any such statements.

Buyer acknowledges and agrees that it is solely responsible for compliance with all legal, regulatory and safety-related requirements concerning its products, and any use of TI components in its applications, notwithstanding any applications-related information or support that may be provided by TI. Buyer represents and agrees that it has all the necessary expertise to create and implement safeguards which anticipate dangerous consequences of failures, monitor failures and their consequences, lessen the likelihood of failures that might cause harm and take appropriate remedial actions. Buyer will fully indemnify TI and its representatives against any damages arising out of the use of any TI components in safety-critical applications.

In some cases, TI components may be promoted specifically to facilitate safety-related applications. With such components, TI's goal is to help enable customers to design and create their own end-product solutions that meet applicable functional safety standards and requirements. Nonetheless, such components are subject to these terms.

No TI components are authorized for use in FDA Class III (or similar life-critical medical equipment) unless authorized officers of the parties have executed a special agreement specifically governing such use.

Only those TI components which TI has specifically designated as military grade or "enhanced plastic" are designed and intended for use in military/aerospace applications or environments. Buyer acknowledges and agrees that any military or aerospace use of TI components which have **not** been so designated is solely at the Buyer's risk, and that Buyer is solely responsible for compliance with all legal and regulatory requirements in connection with such use.

TI has specifically designated certain components as meeting ISO/TS16949 requirements, mainly for automotive use. In any case of use of non-designated products, TI will not be responsible for any failure to meet ISO/TS16949.

Products

Audio	www.ti.com/audio
Amplifiers	amplifier.ti.com
Data Converters	dataconverter.ti.com
DLP® Products	www.dlp.com
DSP	dsp.ti.com
Clocks and Timers	www.ti.com/clocks
Interface	interface.ti.com
Logic	logic.ti.com
Power Mgmt	power.ti.com
Microcontrollers	microcontroller.ti.com
RFID	www.ti-rfid.com
OMAP Applications Processors	www.ti.com/omap
Wireless Connectivity	www.ti.com/wirelessconnectivity

Applications

Automotive and Transportation	www.ti.com/automotive
Communications and Telecom	www.ti.com/communications
Computers and Peripherals	www.ti.com/computers
Consumer Electronics	www.ti.com/consumer-apps
Energy and Lighting	www.ti.com/energy
Industrial	www.ti.com/industrial
Medical	www.ti.com/medical
Security	www.ti.com/security
Space, Avionics and Defense	www.ti.com/space-avionics-defense
Video and Imaging	www.ti.com/video

TI E2E Community

e2e.ti.com

Компания «Океан Электроники» предлагает заключение долгосрочных отношений при поставках импортных электронных компонентов на взаимовыгодных условиях!

Наши преимущества:

- Поставка оригинальных импортных электронных компонентов напрямую с производств Америки, Европы и Азии, а так же с крупнейших складов мира;
- Широкая линейка поставок активных и пассивных импортных электронных компонентов (более 30 млн. наименований);
- Поставка сложных, дефицитных, либо снятых с производства позиций;
- Оперативные сроки поставки под заказ (от 5 рабочих дней);
- Экспресс доставка в любую точку России;
- Помощь Конструкторского Отдела и консультации квалифицированных инженеров;
- Техническая поддержка проекта, помощь в подборе аналогов, поставка прототипов;
- Поставка электронных компонентов под контролем ВП;
- Система менеджмента качества сертифицирована по Международному стандарту ISO 9001;
- При необходимости вся продукция военного и аэрокосмического назначения проходит испытания и сертификацию в лаборатории (по согласованию с заказчиком);
- Поставка специализированных компонентов военного и аэрокосмического уровня качества (Xilinx, Altera, Analog Devices, Intersil, Interpoint, Microsemi, Actel, Aeroflex, Peregrine, VPT, Syfer, Eurofarad, Texas Instruments, MS Kennedy, Miteq, Cobham, E2V, MA-COM, Hittite, Mini-Circuits, General Dynamics и др.);

Компания «Океан Электроники» является официальным дистрибьютором и эксклюзивным представителем в России одного из крупнейших производителей разъемов военного и аэрокосмического назначения «JONHON», а так же официальным дистрибьютором и эксклюзивным представителем в России производителя высокотехнологичных и надежных решений для передачи СВЧ сигналов «FORSTAR».



JONHON

«JONHON» (основан в 1970 г.)

Разъемы специального, военного и аэрокосмического назначения:

(Применяются в военной, авиационной, аэрокосмической, морской, железнодорожной, горно- и нефтедобывающей отраслях промышленности)

«FORSTAR» (основан в 1998 г.)

ВЧ соединители, коаксиальные кабели, кабельные сборки и микроволновые компоненты:

(Применяются в телекоммуникациях гражданского и специального назначения, в средствах связи, РЛС, а так же военной, авиационной и аэрокосмической отраслях промышленности).



Телефон: 8 (812) 309-75-97 (многоканальный)

Факс: 8 (812) 320-03-32

Электронная почта: ocean@oceanchips.ru

Web: <http://oceanchips.ru/>

Адрес: 198099, г. Санкт-Петербург, ул. Калинина, д. 2, корп. 4, лит. А