

MAX16072/MAX16073/ MAX16074

nanoPower μ P Supervisory Circuits in a 4-Bump (1mm x 1mm) Chip-Scale Package

General Description

The MAX16072/MAX16073/MAX16074 ultra-small, ultra-low-power, microprocessor (μ P) supervisory circuits feature a precision band-gap reference, comparator, and internally trimmed resistors that set the threshold voltage. Designed to monitor the system supply voltage and assert an output during power-up, power-down, and brownout conditions, these devices provide excellent circuit reliability and low cost by eliminating external components and adjustments when monitoring nominal system voltage from 1.8V to 3.6V.

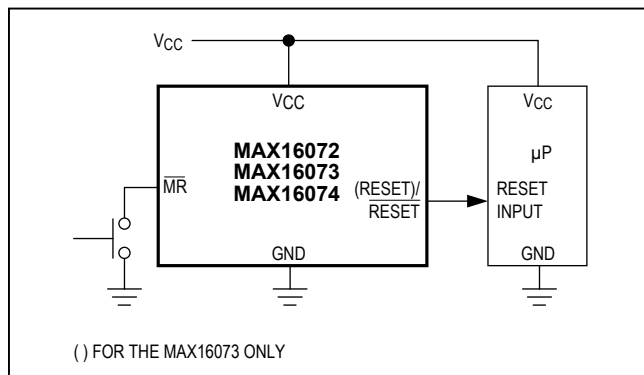
The MAX16072 has a push-pull, active-low reset output, the MAX16073 has a push-pull, active-high reset output, and the MAX16074 has an open-drain active-low reset output. The devices are designed to ignore fast transients on V_{CC} . The devices also include a manual reset input (MR).

The MAX16072/MAX16073/MAX16074 are available in a 1mm x 1mm, space-saving, 4-bump, chip-scale package (UCSP™).

Applications

- Portable/Battery-Powered Equipment
- Cell Phones
- PDAs
- MP3 Players
- Digital Cameras

Typical Application Circuit



Features

- Ultra-Low, 0.7 μ A Supply Current
- Ultra-Small (1mm x 1mm), 4-Bump UCSP
- 20 μ s, 8ms, 34ms, and 140ms Reset Timeout Options Available
- Factory-Trimmed Reset Thresholds Available from 1.58V to 3.08V in Approximately 100mV Increments
- $\pm 2.5\%$ Threshold Accuracy Over Temperature
- Manual Reset Input
- Guaranteed Reset Valid to $V_{CC} = 1.0V$
- Immune to Short V_{CC} Transient

Ordering Information

PART	RESET OUTPUT TYPE	PIN-PACKAGE
MAX16072RS__D_+	Push-Pull, Active-Low	4 UCSP
MAX16073RS__D_+	Push-Pull, Active-High	4 UCSP
MAX16074RS__D_+	Open-Drain, Active-Low	4 UCSP

+Denotes a lead(Pb)-free/RoHS-compliant package.

Note: All devices are specified over the $-40^{\circ}C$ to $+85^{\circ}C$ operating temperature range.

Insert the desired suffix numbers (from Table 1) into the blanks "RS__D" to indicate the reset trip threshold. Insert the desired suffix number (from Table 2) into the blank "D_+" to indicate the reset timeout. Minimum order quantity may apply.

UCSP is a trademark of Maxim Integrated Products, Inc.



MAX16072/MAX16073/
MAX16074

nanoPower μ P Supervisory Circuits in a
4-Bump (1mm x 1mm) Chip-Scale Package

Absolute Maximum Ratings

(Voltages referenced to GND.)

V_{CC} , \overline{MR}-0.3V to +6V
 \overline{RESET} , \overline{RESET} Push-Pull-0.3V to (V_{CC} + 0.3V)
 \overline{RESET} Open-Drain.....-0.3V to +6V
 Output Current (all pins)..... \pm 20mA
 Continuous Power Dissipation (T_A = +70°C)
 4-Bump UCSP (derate 3mW/°C above +70°C).....239mW

Operating Temperature Range..... -40°C to +85°C
 Storage Temperature Range..... -65°C to +150°C
 Junction Temperature..... +150°C
 Soldering Temperature (reflow).....+260°C

Stresses beyond those listed under "Absolute Maximum Ratings" may cause permanent damage to the device. These are stress ratings only, and functional operation of the device at these or any other conditions beyond those indicated in the operational sections of the specifications is not implied. Exposure to absolute maximum rating conditions for extended periods may affect device reliability.

Electrical Characteristics

(V_{CC} = 1.5V to 5.5V, T_A = -40°C to +85°C, unless otherwise noted. Typical values are at T_A = +25°C and V_{CC} = 3.6V.) (Note 1)

PARAMETER	SYMBOL	CONDITIONS	MIN	TYP	MAX	UNITS	
Operating Voltage Range	V_{CC}	T_A = 0°C to +85°C	1.0		5.5	V	
		T_A = -40°C to +85°C	1.2		5.5		
Supply Current	I_{CC}	V_{CC} = 1.8V for $V_{TH} \leq 1.66V$		0.7	1.2	μ A	
		V_{CC} = 3.6V, no load		1.0	1.5		
Detector Threshold	V_{TH}	See Table 1	V_{CC} falling, T_A = +25°C	$V_{TH} - 1.5\%$	V_{TH}	$V_{TH} + 1.5\%$	V
				$V_{TH} - 2.5\%$	V_{TH}	$V_{TH} + 2.5\%$	
Detector Threshold Hysteresis	V_{HYST}	V_{CC} rising, $V_{TH} \leq 1.66V$ (Note 2)		6.3		mV	
Detector Threshold Tempco	$\Delta V_{TH}/^\circ C$	(Note 2)		40		ppm/°C	
\overline{MR} INPUT							
\overline{MR} Input High Voltage	V_{IH}		0.7 x			V	
	V_{IL}				0.7 x		
\overline{MR} Pullup Resistance			25	50	75	k Ω	
$\overline{RESET}/RESET$ OUTPUT (Note 3)							
Output-Voltage Low	V_{OL}	$V_{CC} \geq 1.2V$, $I_{SINK} = 100\mu A$			0.4	V	
		$V_{CC} \geq 1.65V$, $I_{SINK} = 1mA$			0.3		
Output-Voltage High	V_{OH}	$V_{CC} \geq 1.65V$, $I_{SOURCE} = 500\mu A$	0.8 x			V	
		$V_{CC} \geq 1.2V$, $I_{SOURCE} = 50\mu A$	0.8 x				
Open-Drain \overline{RESET} Output Leakage Current		\overline{RESET} not asserted (Note 2)			0.1	μ A	
TIMING							
\overline{MR} Minimum Pulse Width	t_{MPW}	(Note 2)	0.8			μ s	
\overline{MR} Glitch Rejection	t_{EGR}	(Note 2)		100		ns	
\overline{MR} to $\overline{RESET}/RESET$ Propagation Delay	t_{OFF}	\overline{MR} falling		1	2	μ s	
	t_{ON}	\overline{MR} rising		200	400	ns	
V_{CC} to Reset Delay	t_{DL}	$V_{CC} = (V_{TH} + 100mV)$ to $(V_{TH} - 100mV)$		20	90	μ s	

Electrical Characteristics (continued)

($V_{CC} = 1.5V$ to $5.5V$, $T_A = -40^{\circ}C$ to $+85^{\circ}C$, unless otherwise noted. Typical values are at $T_A = +25^{\circ}C$ and $V_{CC} = 3.6V$.) (Note 1)

PARAMETER	SYMBOL	CONDITIONS	MIN	TYP	MAX	UNITS	
Reset Active Timeout Period	t_{RP}	V_{CC} rising, $V_{CC} = (V_{TH} - 100mV)$ to $(V_{TH} + 100mV)$	MAX1607_RSD0+	20	80	120	μs
			MAX1607_RSD1+	8	13	17	ms
			MAX1607_RSD2+	34	52	69	ms
			MAX1607_RSD3+	140	210	280	ms

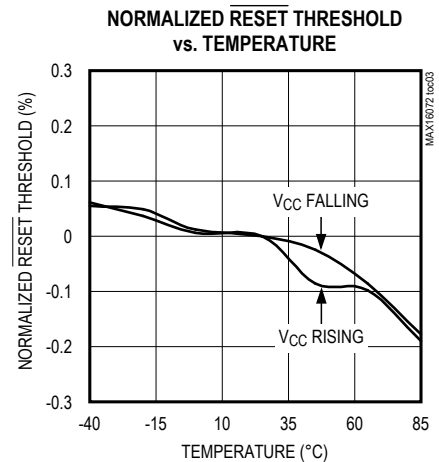
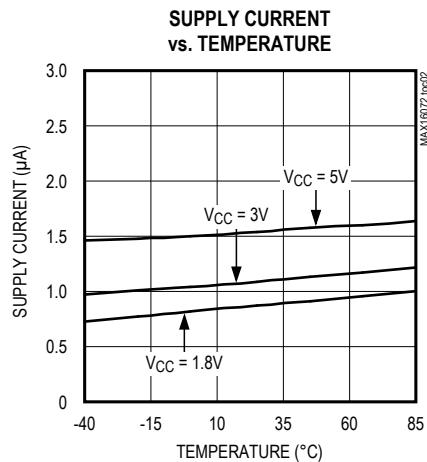
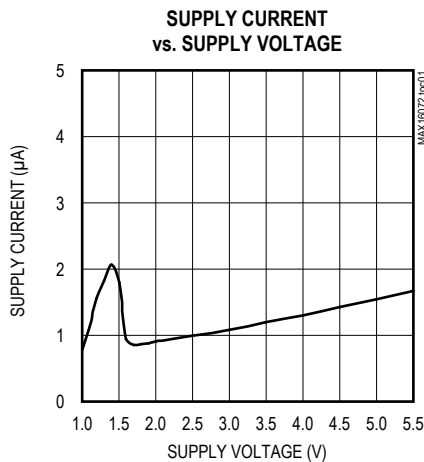
Note 1: Production testing done at $T_A = +25^{\circ}C$ only. Overtemperature limits are guaranteed by design and are not production tested.

Note 2: Guaranteed by design.

Note 3: Reset is guaranteed down to $V_{CC} = 1.0V$.

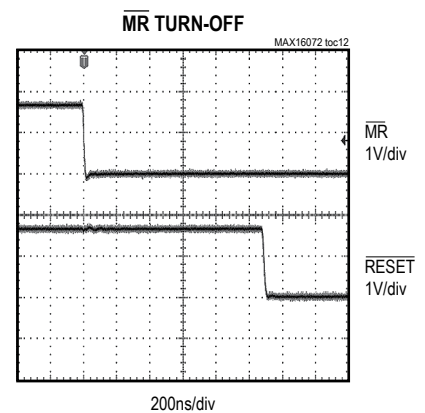
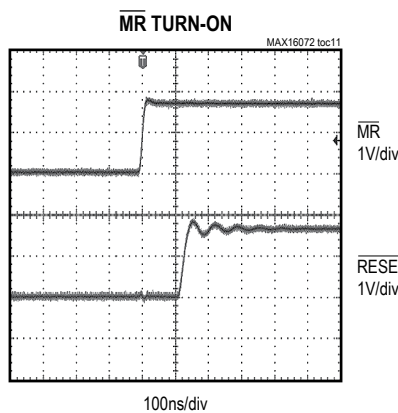
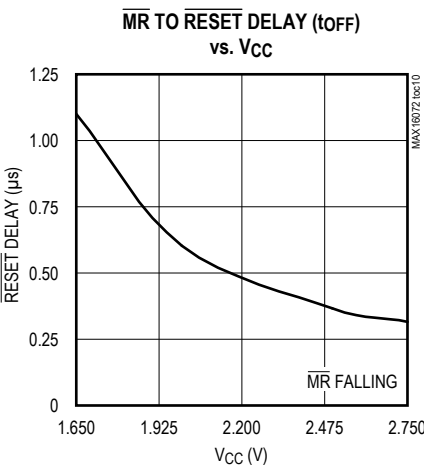
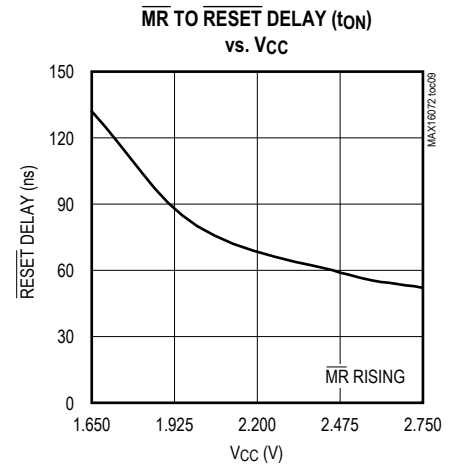
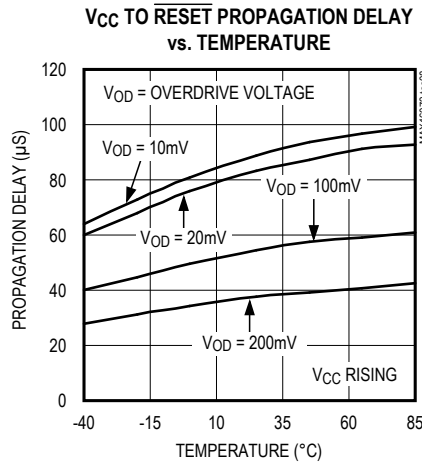
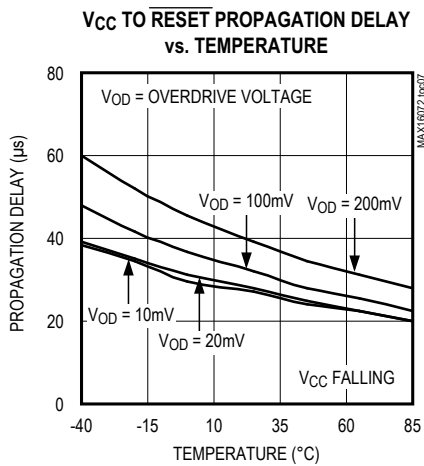
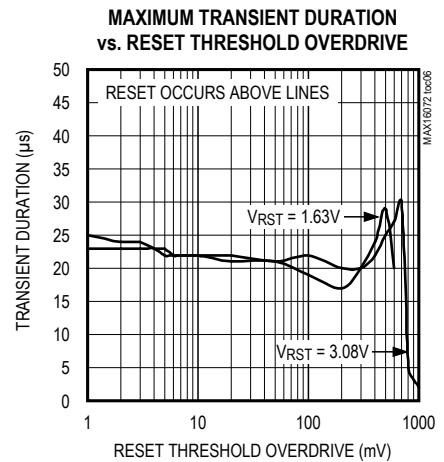
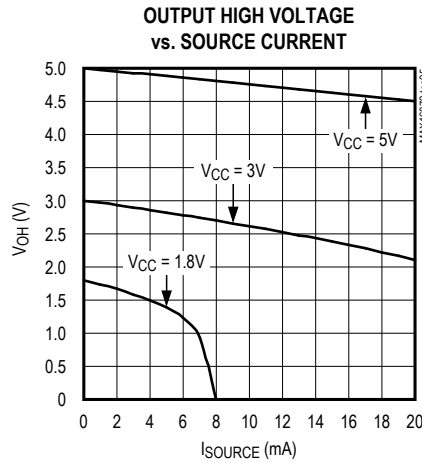
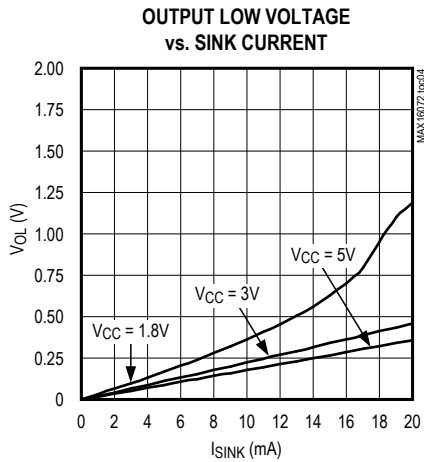
Typical Operating Characteristics

($T_A = +25^{\circ}C$, unless otherwise noted.)

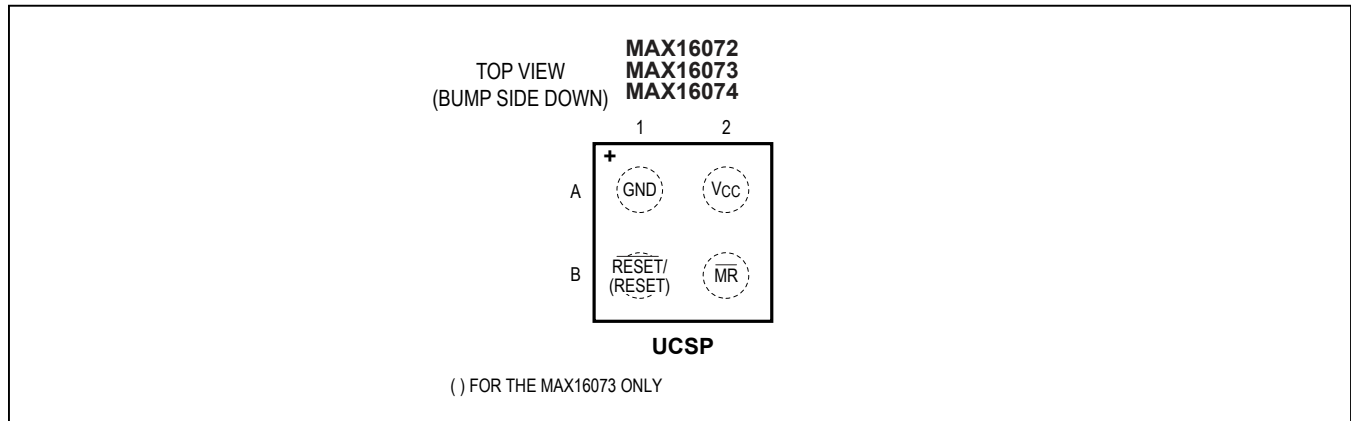


Typical Operating Characteristics (continued)

($T_A = +25^\circ\text{C}$, unless otherwise noted.)



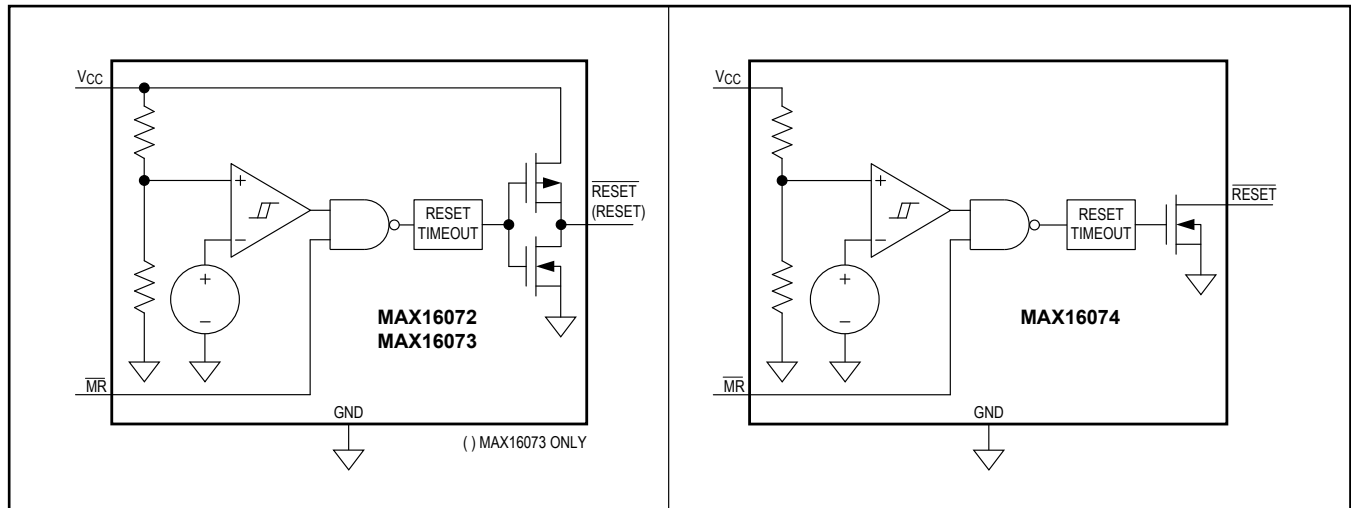
Bump Configuration



Bump Description

BUMP			NAME	FUNCTION
MAX16072	MAX16073	MAX16074		
A1	A1	A1	GND	Ground
B1	—	—	$\overline{\text{RESET}}$	Active-Low Push-Pull Reset Output. $\overline{\text{RESET}}$ changes from high to low when V_{CC} drops below the detector threshold (V_{TH}) or $\overline{\text{MR}}$ is pulled low. $\overline{\text{RESET}}$ remains low for the reset timeout period after V_{CC} exceeds V_{TH} and $\overline{\text{MR}}$ is high. When $\overline{\text{MR}}$ is low, $\overline{\text{RESET}}$ is low.
—	B1	—	RESET	Active-High Push-Pull Reset Output. $\overline{\text{RESET}}$ changes from low to high when V_{CC} drops below the detector threshold (V_{TH}) or $\overline{\text{MR}}$ is pulled low. $\overline{\text{RESET}}$ remains high for the reset timeout period after V_{CC} exceeds V_{TH} and $\overline{\text{MR}}$ is high. When $\overline{\text{MR}}$ is low, $\overline{\text{RESET}}$ is high.
—	—	B1	$\overline{\text{RESET}}$	Active-Low Open-Drain Reset Output. $\overline{\text{RESET}}$ changes from high-impedance to active-low when V_{CC} drops below the detector threshold (V_{TH}) or $\overline{\text{MR}}$ is pulled low. $\overline{\text{RESET}}$ remains low for the reset timeout period after V_{CC} exceeds the reset threshold and $\overline{\text{MR}}$ is high. When $\overline{\text{MR}}$ is low, $\overline{\text{RESET}}$ is low.
A2	A2	A2	V_{CC}	Supply Voltage and Input for the Reset Threshold Monitor
B2	B2	B2	MR	Active-Low Manual-Reset Input. Drive low to force a reset. Reset remains active as long as $\overline{\text{MR}}$ is low and for the reset timeout period (if applicable) after $\overline{\text{MR}}$ is driven high. $\overline{\text{MR}}$ has an internal pullup resistor connected to V_{CC} , and may be left unconnected if not used.

Functional Diagrams



Detailed Description

The MAX16072/MAX16073/MAX16074 ultra-small, ultra-low-power, μ P supervisory circuits feature a precision band-gap reference, comparator, and internally trimmed resistors that set specified trip threshold voltages. Designed to monitor the system supply voltage and an output during power-up, power-down, and brownout conditions, these devices provide excellent circuit reliability and low cost by eliminating external components and adjustments when monitoring nominal system voltage from 1.8V to 3.6V.

The MAX16072 has a push-pull active-low reset output, the MAX16073 has a push-pull active-high reset output, and the MAX16074 has an open-drain active-low reset

output. The devices are designed to ignore fast transients on V_{CC} . The devices also include a manual reset input (\overline{MR}). When \overline{MR} is low, reset is asserted. When \overline{MR} is high and V_{CC} is above the detector threshold (V_{TH}), reset is not asserted.

Supply and Monitored Input (V_{CC})

The MAX16072/MAX16073/MAX16074 operate with a V_{CC} supply voltage from 1.2V to 5.5V. V_{CC} has a rising threshold of $V_{TH} + V_{HYST}$ and a falling threshold of V_{TH} . When V_{CC} rises above $V_{TH} + V_{HYST}$ and \overline{MR} is high, \overline{RESET} goes high (RESET goes low) after the reset timeout period (t_{RP}). See Figure 1.

When V_{CC} falls below V_{TH} , \overline{RESET} goes low (RESET goes high) after a fixed delay (t_{RD}).

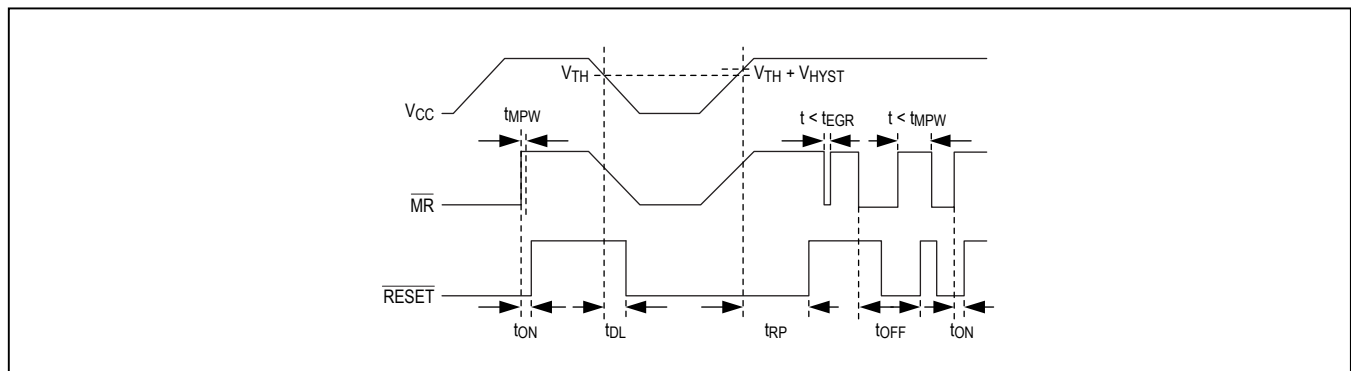


Figure 1. MAX16072/MAX16073/MAX16074 Timing Diagram

Manual Reset Input (\overline{MR})

Many μ P-based products require manual-reset capability, allowing the operator, a test technician, or external logic circuit to initiate a reset. A logic-low on \overline{MR} asserts reset. Reset remains asserted while \overline{MR} is low, and for the reset active timeout period (t_{RP}) or delay (t_{ON}) after \overline{MR} returns high. This input has an internal 50k Ω pullup resistor, so it can be left unconnected if it is not used. \overline{MR} can be driven with TTL or CMOS logic levels, or with open-drain/collector outputs. For manual operation, connect a normally open momentary switch from \overline{MR} to GND; external debouncing circuitry is not required. If \overline{MR} is driven from long cables or if the device is used in a noisy environment, connect a 0.1 μ F capacitor from \overline{MR} to ground to provide additional noise immunity.

Applications Information

Interfacing to μ P with Bidirectional Reset Pins

Since \overline{RESET} on the MAX16074 is open-drain, this device interfaces easily with μ Ps that have bidirectional reset pins. Connecting the μ P supervisor's \overline{RESET} output directly to the μ P's \overline{RESET} pin with a single pullup resistor allows either device to assert reset (Figure 2).

Negative-Going V_{CC} Transients

The MAX16072/MAX16073/MAX16074 family of devices is relatively immune to short-duration, negative-going V_{CC} transients (glitches). The *Typical Operating Characteristics* show the Maximum Transient Duration vs. Reset Threshold Overdrive graph, for which reset pulses are not generated. The graph shows the maximum pulse width that a negative-going V_{CC} transient may typically have when issuing a reset signal. As the amplitude of the transient increases, the maximum allowable pulse width decreases.

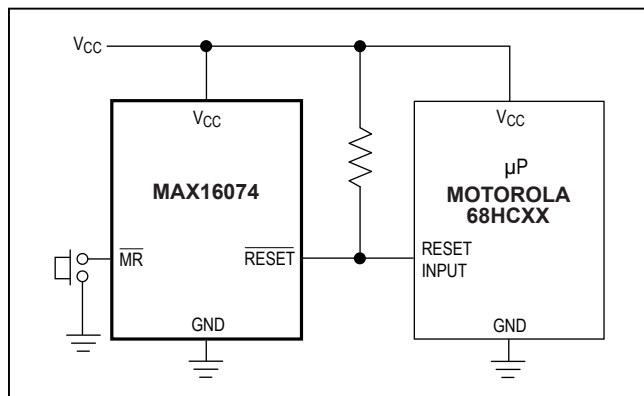


Figure 2. Interfacing to μ P with Bidirectional Reset Pins

Table 1. Factory Trimmed Reset Thresholds

THRESHOLD SUFFIX	RESET TRIP THRESHOLD (V)		
	$T_A = +25^\circ\text{C}$		$T_A = -40^\circ\text{C to } +85^\circ\text{C}$
	TYP	MIN	MAX
15	1.58	1.54	1.61
16	1.63	1.60	1.66
17	1.67	1.62	1.71
18	1.80	1.76	1.85
19	1.90	1.85	1.95
20	2.00	1.95	2.05
21	2.10	2.05	2.15
22	2.20	2.145	2.25
23	2.32	2.262	2.375
24	2.40	2.34	2.46
25	2.50	2.437	2.562
26	2.63	2.564	2.69
27	2.70	2.633	2.768
28	2.80	2.63	2.87
29	2.93	2.857	3.0
30	3.00	2.925	3.075
31	3.08	3.003	3.15

Table 2. Reset Timeout Periods

RESET TIMEOUT PERIODS				
SUFFIX	MIN	TYP	MAX	UNITS
0	20	80	120	μ s
1	8	13	17	ms
2	34	52	69	ms
3	140	210	280	ms

MAX16072/MAX16073/
MAX16074

nanoPower μ P Supervisory Circuits in a
4-Bump (1mm x 1mm) Chip-Scale Package

Chip Information

PROCESS: BICMOS

Package Information

For the latest package outline information and land patterns (footprints), go to www.maximintegrated.com/packages. Note that a "+", "#", or "-" in the package code indicates RoHS status only. Package drawings may show a different suffix character, but the drawing pertains to the package regardless of RoHS status.

PACKAGE TYPE	PACKAGE CODE	OUTLINE NO.
4 UCSP	R41C1-1	21-0242

MAX16072/MAX16073/
MAX16074

nanoPower μ P Supervisory Circuits in a
4-Bump (1mm x 1mm) Chip-Scale Package

Revision History

REVISION NUMBER	REVISION DATE	DESCRIPTION	PAGES CHANGED
0	1/10	Initial release	—
1	3/15	Changed upper V_{CC} supply range from 2.75V to 5.5V	2, 3, 6
2	3/17	Updated title to include “nanoPower”	1–9

For pricing, delivery, and ordering information, please contact Maxim Direct at 1-888-629-4642, or visit Maxim Integrated's website at www.maximintegrated.com.

Maxim Integrated cannot assume responsibility for use of any circuitry other than circuitry entirely embodied in a Maxim Integrated product. No circuit patent licenses are implied. Maxim Integrated reserves the right to change the circuitry and specifications without notice at any time. The parametric values (min and max limits) shown in the Electrical Characteristics table are guaranteed. Other parametric values quoted in this data sheet are provided for guidance.

Компания «Океан Электроники» предлагает заключение долгосрочных отношений при поставках импортных электронных компонентов на взаимовыгодных условиях!

Наши преимущества:

- Поставка оригинальных импортных электронных компонентов напрямую с производств Америки, Европы и Азии, а так же с крупнейших складов мира;
- Широкая линейка поставок активных и пассивных импортных электронных компонентов (более 30 млн. наименований);
- Поставка сложных, дефицитных, либо снятых с производства позиций;
- Оперативные сроки поставки под заказ (от 5 рабочих дней);
- Экспресс доставка в любую точку России;
- Помощь Конструкторского Отдела и консультации квалифицированных инженеров;
- Техническая поддержка проекта, помощь в подборе аналогов, поставка прототипов;
- Поставка электронных компонентов под контролем ВП;
- Система менеджмента качества сертифицирована по Международному стандарту ISO 9001;
- При необходимости вся продукция военного и аэрокосмического назначения проходит испытания и сертификацию в лаборатории (по согласованию с заказчиком);
- Поставка специализированных компонентов военного и аэрокосмического уровня качества (Xilinx, Altera, Analog Devices, Intersil, Interpoint, Microsemi, Actel, Aeroflex, Peregrine, VPT, Syfer, Eurofarad, Texas Instruments, MS Kennedy, Miteq, Cobham, E2V, MA-COM, Hittite, Mini-Circuits, General Dynamics и др.);

Компания «Океан Электроники» является официальным дистрибьютором и эксклюзивным представителем в России одного из крупнейших производителей разъемов военного и аэрокосмического назначения «JONHON», а так же официальным дистрибьютором и эксклюзивным представителем в России производителя высокотехнологичных и надежных решений для передачи СВЧ сигналов «FORSTAR».



JONHON

«JONHON» (основан в 1970 г.)

Разъемы специального, военного и аэрокосмического назначения:

(Применяются в военной, авиационной, аэрокосмической, морской, железнодорожной, горно- и нефтедобывающей отраслях промышленности)

«FORSTAR» (основан в 1998 г.)

ВЧ соединители, коаксиальные кабели, кабельные сборки и микроволновые компоненты:

(Применяются в телекоммуникациях гражданского и специального назначения, в средствах связи, РЛС, а так же военной, авиационной и аэрокосмической отраслях промышленности).



Телефон: 8 (812) 309-75-97 (многоканальный)

Факс: 8 (812) 320-03-32

Электронная почта: ocean@oceanchips.ru

Web: <http://oceanchips.ru/>

Адрес: 198099, г. Санкт-Петербург, ул. Калинина, д. 2, корп. 4, лит. А