

AMERICAN
TECHNICAL
CERAMICS

HP SERIES HIGH PERFORMANCE CAPACITORS



 THE
ENGINEERS'
CHOICE®

Low Cost HP Series High Performance
Multilayer Ceramic Capacitors

ISO 9001
REGISTERED
COMPANY



ATC 001-1103, Rev. C; 7/12

ATC HP 0402 Series High Performance NPO Ceramic MLCS

Electrical Characteristics:

Capacitance Range: 0.2 pF to 30 pF @ 1 MHz

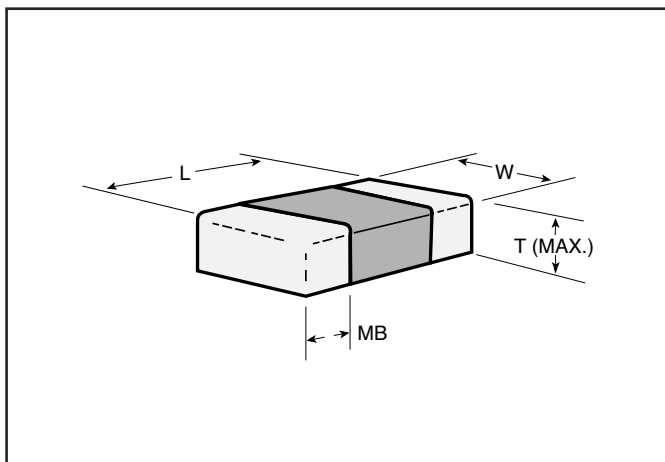
Temperature Coefficient of Capacitance: 0 ± 30 ppm/°C (-55° to +125°C)

Insulation Resistance (IR) $10^{12} \Omega$ min. @ 25°C and rated WVDC
 $10^{11} \Omega$ min. @ 125°C and rated WVDC

Dielectric Working Voltage (DWV): 250% of rated WVDC

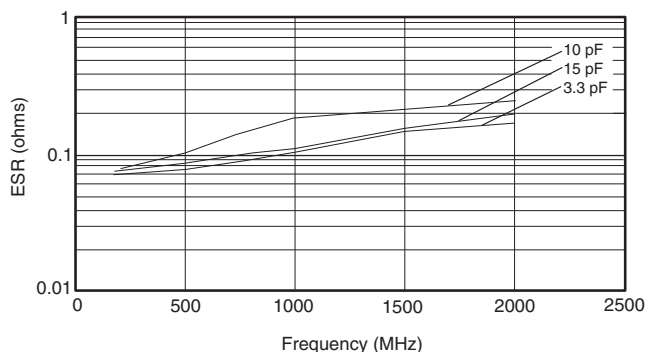
Working Voltage (WVDC) 50 WVDC

ATC offers the new HP Series high performance family of MLC ceramic capacitors. Built in a rugged ceramic SMT package, these products deliver high performance at the right price. The HP series is available in four popular EIA case sizes and is suitable for tuning, DC blocking, coupling and bypassing over the full range of wireless frequencies. All HP Series products are RoHS compliant.

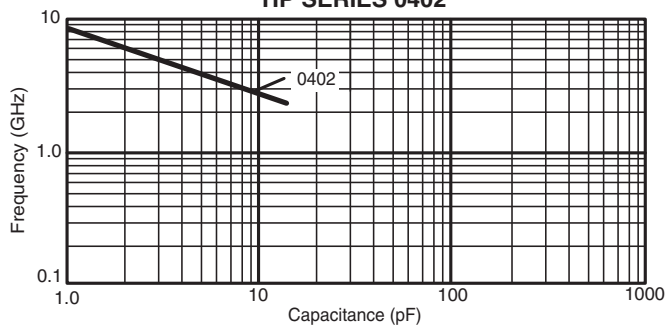


| Case Size | 0402 |
|-----------------|--------------------------|
| Length (L) | 0.039 ±0.004 (1.00 ±0.1) |
| Width (W) | 0.020 ±0.004 (0.50 ±0.1) |
| T Max. | 0.024 (0.6) |
| Term. (MB) Max. | N/A |

**TYPICAL ESR vs. FREQUENCY
HP SERIES 0402**



**TYPICAL SERIES RESONANT FREQUENCY
HP SERIES 0402**



A M E R I C A N T E C H N I C A L C E R A M I C S

ATC North America
sales@atceramics.com

ATC Europe
saleseur@atceramics.com

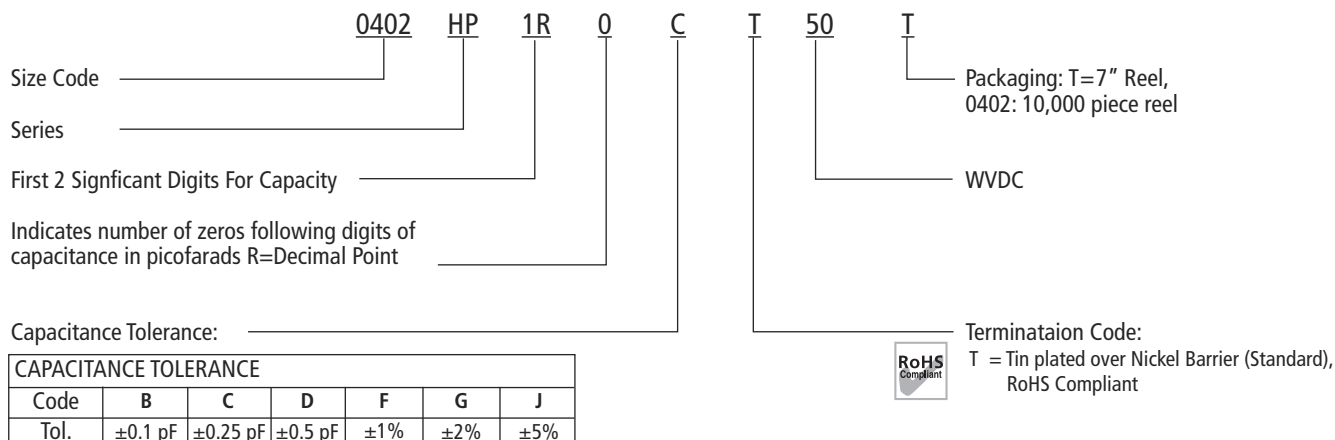
ATC Asia
sales@atceramics-asia.com

ATC HP 0402 SERIES HIGH PERFORMANCE NPO CERAMIC MLCS

Capacitance Values:

| CAP. CODE | CAP. (pF) | TOL. | RATED WVDC | CAP. CODE | CAP. (pF) | TOL. | RATED WVDC | CAP. CODE | CAP. (pF) | TOL. | RATED WVDC | CAP. CODE | CAP. (pF) | TOL. | RATED WVDC |
|-----------|-----------|---------|------------|-----------|-----------|---------|------------|-----------|-----------|---------|------------|-----------|-----------|---------|------------|
| OR2 | 0.2 | B, C | 50 | 1R4 | 1.4 | B, C, D | 50 | 3R3 | 3.3 | B, C, D | 50 | 100 | 10 | F, G, J | 50 |
| OR3 | 0.3 | | | 1R5 | 1.5 | | | 3R6 | 3.6 | | | 110 | 11 | | |
| OR4 | 0.4 | | | 1R6 | 1.6 | | | 3R9 | 3.9 | | | 120 | 12 | | |
| OR5 | 0.5 | | | 1R7 | 1.7 | | | 4R3 | 4.3 | | | 130 | 13 | | |
| OR6 | 0.6 | | | 1R8 | 1.8 | | | 4R7 | 4.7 | | | 150 | 15 | | |
| OR7 | 0.7 | B, C, D | | 1R9 | 1.9 | | | 5R1 | 5.1 | | | 180 | 18 | | |
| OR8 | 0.8 | | | 2R0 | 2.0 | | | 5R6 | 5.6 | | | 200 | 20 | | |
| OR9 | 0.9 | | | 2R1 | 2.1 | | | 6R2 | 6.2 | | | 220 | 22 | | |
| 1R0 | 1.0 | | | 2R2 | 2.2 | | | 6R8 | 6.8 | | | 240 | 24 | | |
| 1R1 | 1.1 | | | 2R4 | 2.4 | | | 7R5 | 7.5 | | | 270 | 27 | | |
| 1R2 | 1.2 | | 2R7 | 2.7 | 8R2 | 8.2 | 300 | 30 | | | | | | | |
| 1R3 | 1.3 | | 3R0 | 3.0 | 9R1 | 9.1 | | | | | | | | | |

Part Number Code



The above part number refers to an ATC HP 0402 Series 1.0 pF capacitor, C tolerance (±0.25 pF), 50 WVDC, with T termination (Tin Plated over Nickel Barrier), on 7 inch reel.

For additional information and catalogs contact your ATC representative or call direct at (+1-631) 622-4700. Consult factory for additional performance data.

A M E R I C A N T E C H N I C A L C E R A M I C S

ATC North America
sales@atceramics.com

ATC Europe
saleseur@atceramics.com

ATC Asia
sales@atceramics-asia.com

www.atceramics.com

ATC HP 0603 Series High Performance NPO Ceramic MLCS

Electrical Characteristics:

Capacitance Range: 1.0 pF to 120 pF @ 1 MHz

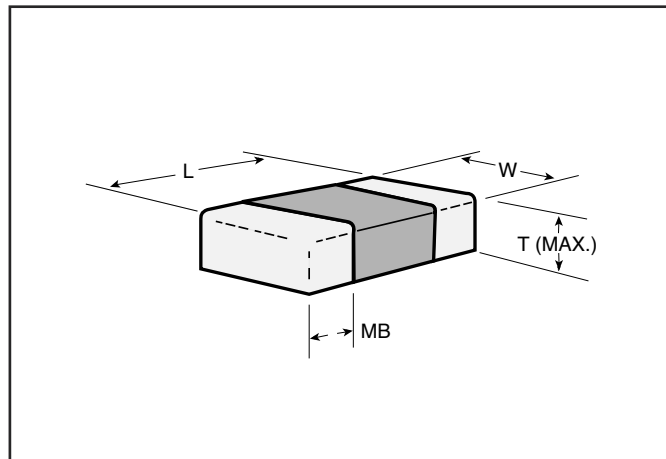
Temperature Coefficient of Capacitance: 0 ± 30 ppm/°C (-55° to +125°C)

Insulation Resistance (IR) $10^{12} \Omega$ min. @ 25°C and rated WVDC
 $10^{11} \Omega$ min. @ 125°C and rated WVDC

Dielectric Working Voltage (DWV): 250% of rated WVDC

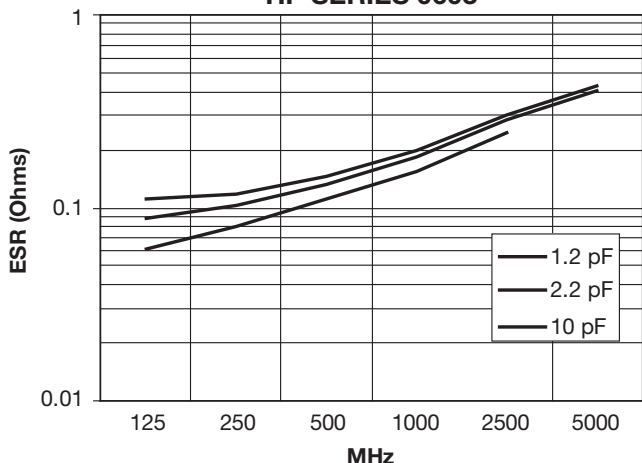
Working Voltage (WVDC) 250, 100, 50 WVDC

ATC offers the new HP Series high performance family of MLC ceramic capacitors. Built in a rugged ceramic SMT package, these products deliver high performance at the right price. The HP series is available in four popular EIA case sizes and is suitable for tuning, DC blocking, coupling and bypassing over the full range of wireless frequencies. All HP Series products are RoHS compliant.

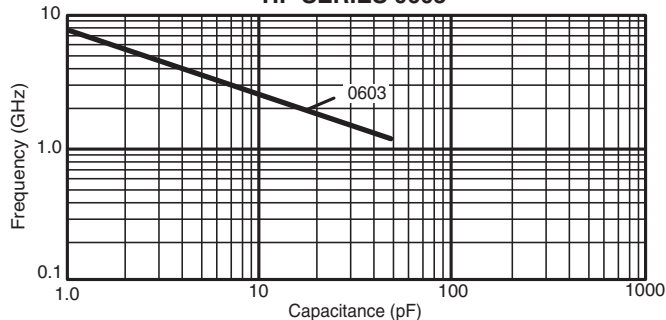


| Case Size | 0603 |
|-----------------|---------------------------|
| Length (L) | 0.060 ±0.010 (1.52 ±0.25) |
| Width (W) | 0.030 ±0.010 (0.76 ±0.25) |
| T Max. | 0.036 (0.91) |
| Term. (MB) Max. | 0.010 ±0.005 (0.25 ±0.13) |

**TYPICAL ESR vs. FREQUENCY
HP SERIES 0603**



**TYPICAL
SERIES RESONANT FREQUENCY
HP SERIES 0603**



A M E R I C A N T E C H N I C A L C E R A M I C S

ATC North America
sales@atceramics.com

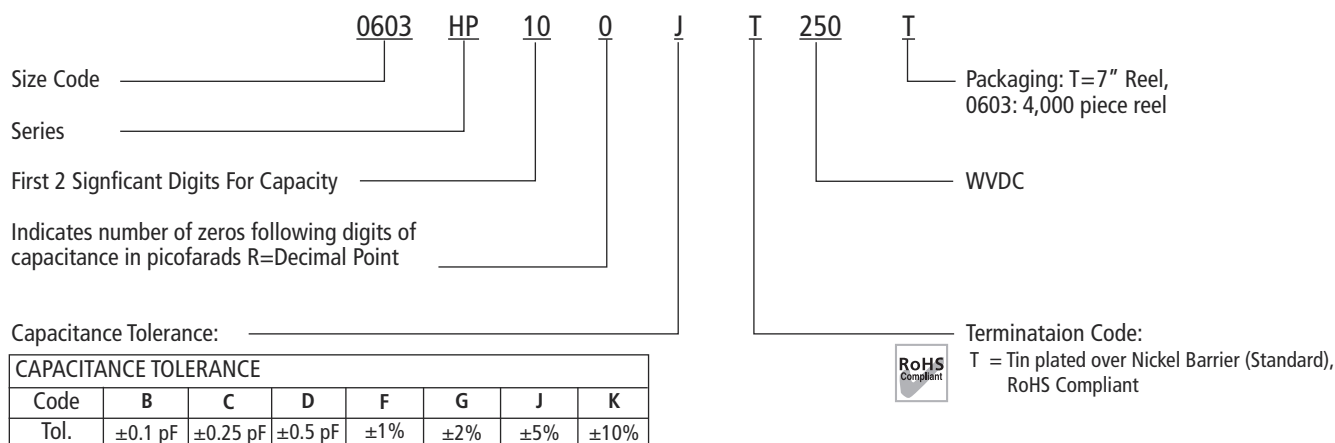
ATC Europe
sales@atceramics.com

ATC Asia
sales@atceramics-asia.com

Capacitance Values:

| CAP. CODE | CAP. (pF) | TOL. | RATED WVDC | CAP. CODE | CAP. (pF) | TOL. | RATED WVDC | CAP. CODE | CAP. (pF) | TOL. | RATED WVDC | CAP. CODE | CAP. (pF) | TOL. | RATED WVDC |
|-----------|-----------|---------|------------|-----------|-----------|---------|------------|-----------|-----------|------|------------|-----------|-----------|------------|------------|
| 1R0 | 1.0 | B, C, D | 250 | 2R7 | 2.7 | B, C, D | 250 | 9R1 | 9.1 | B, C | 250 | 360 | 36 | F, G, J, K | 250 |
| 1R1 | 1.1 | | | 3R0 | 3.0 | | | 100 | 10 | 390 | | 39 | | | |
| 1R2 | 1.2 | | | 3R3 | 3.3 | | | 110 | 11 | 430 | | 43 | | | |
| 1R3 | 1.3 | | | 3R6 | 3.6 | | | 120 | 12 | 470 | | 47 | | | |
| 1R4 | 1.4 | | | 3R9 | 3.9 | | | 130 | 13 | 510 | | 51 | | | |
| 1R5 | 1.5 | | | 4R3 | 4.3 | | | 150 | 15 | 560 | | 56 | | | |
| 1R6 | 1.6 | | | 4R7 | 4.7 | | | 180 | 18 | 680 | | 68 | | | |
| 1R7 | 1.7 | | | 5R1 | 5.1 | | | 200 | 20 | 750 | | 75 | | | |
| 1R8 | 1.8 | | | 5R6 | 5.6 | | | 220 | 22 | 820 | | 82 | | | |
| 1R9 | 1.9 | | | 6R2 | 6.2 | | | 240 | 24 | 910 | | 91 | | | |
| 2R0 | 2.0 | | | 6R8 | 6.8 | | | 270 | 27 | 101 | | 100 | | | |
| 2R1 | 2.1 | | | 7R5 | 7.5 | | | 300 | 30 | 111 | | 110 | | | |
| 2R2 | 2.2 | | | 8R2 | 8.2 | | | 330 | 33 | 121 | | 120 | | | |
| 2R4 | 2.4 | | | | | | | | | | | | | | |

Part Number Code



The above part number refers to an ATC HP 0603 Series 10 pF capacitor, J tolerance (±5%), 250 WVDC, with T termination (Tin Plated over Nickel Barrier), on 7 inch reel.

For additional information and catalogs contact your ATC representative or call direct at (+1-631) 622-4700. Consult factory for additional performance data.

A M E R I C A N T E C H N I C A L C E R A M I C S

ATC North America
sales@atceramics.com

ATC Europe
saleseur@atceramics.com

ATC Asia
sales@atceramics-asia.com

ATC HP 0805 Series High Performance NPO Ceramic MLCS

Electrical Characteristics:

Capacitance Range: 1.0 pF to 160 pF @ 1 MHz

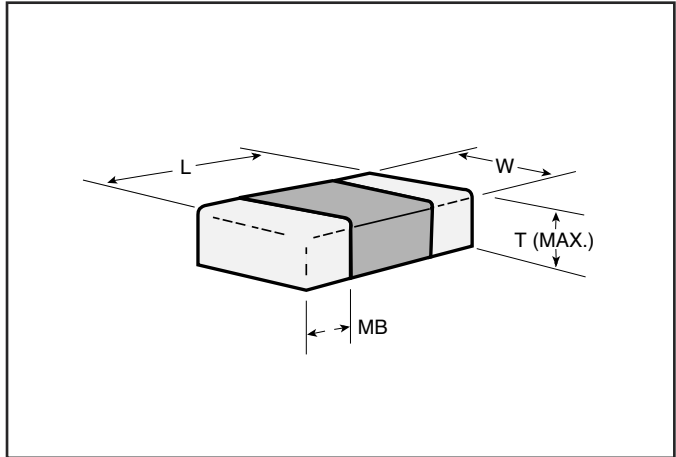
Temperature Coefficient of Capacitance: 0 ± 30 ppm/°C (-55° to +125°C)

Insulation Resistance (IR) $10^{12} \Omega$ min. @ 25°C and rated WVDC
 $10^{11} \Omega$ min. @ 125°C and rated WVDC

Dielectric Working Voltage (DWV): 250% of rated WVDC

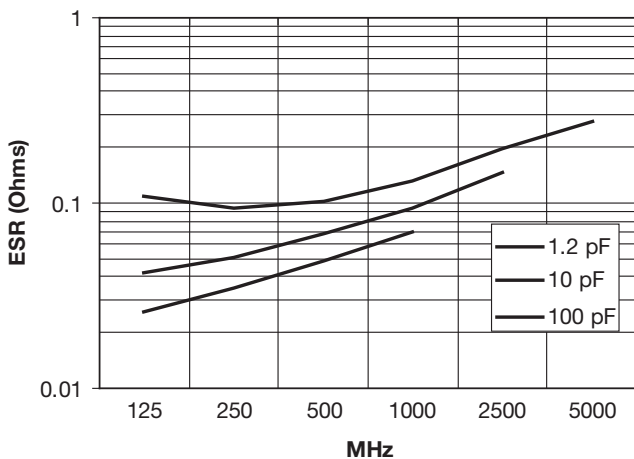
Working Voltage (WVDC) 250 WVDC

ATC offers the new HP Series high performance family of MLC ceramic capacitors. Built in a rugged ceramic SMT package, these products deliver high performance at the right price. The HP series is available in four popular EIA case sizes and is suitable for tuning, DC blocking, coupling and bypassing over the full range of wireless frequencies. All HP Series products are RoHS compliant.

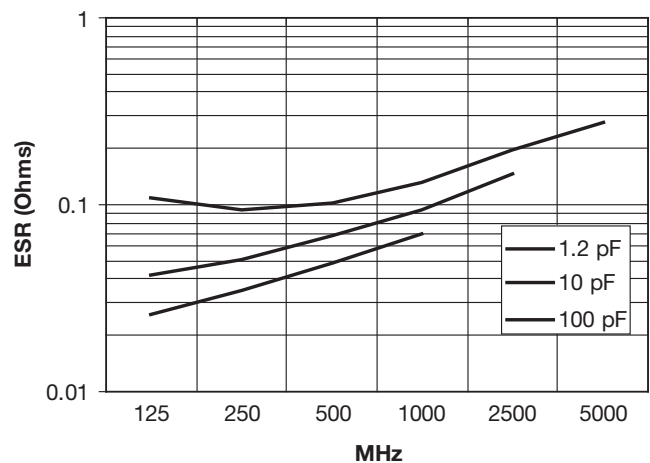


| Case Size | 0805 |
|-----------------|----------------------------|
| Length (L) | 0.079 ±0.008 (2.01 ±0.2) |
| Width (W) | 0.049 ±0.008 (1.25 ±0.2) |
| T Max. | 0.040 ±0.005 (1.02 ±0.127) |
| Term. (MB) Max. | 0.020 ±0.010 (0.51 ±0.254) |

TYPICAL ESR vs. FREQUENCY
HP SERIES 0805



TYPICAL ESR vs. FREQUENCY
HP SERIES 0805



A M E R I C A N T E C H N I C A L C E R A M I C S

ATC North America
sales@atceramics.com

ATC Europe
sales@atceramics.com

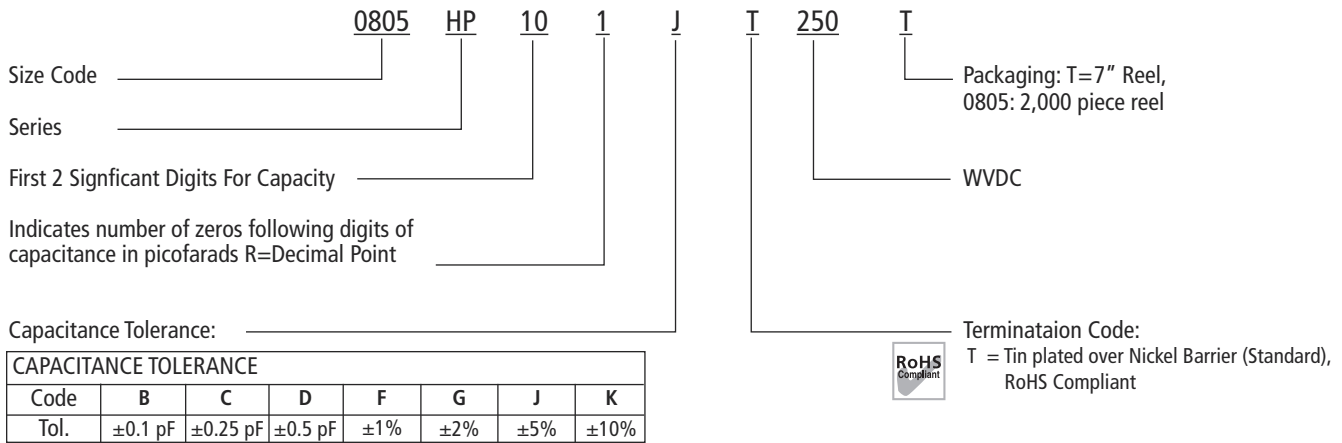
ATC Asia
sales@atceramics-asia.com

www.atceramics.com

Capacitance Values:

| CAP. CODE | CAP. (pF) | TOL. | RATED WVDC | CAP. CODE | CAP. (pF) | TOL. | RATED WVDC | CAP. CODE | CAP. (pF) | TOL. | RATED WVDC | CAP. CODE | CAP. (pF) | TOL. | RATED WVDC |
|-----------|-----------|---------|------------|-----------|-----------|------------|------------|-----------|-----------|------------|------------|-----------|-----------|------------|------------|
| 1R0 | 1.0 | | | 3R0 | 3.0 | | | 110 | 11 | | | 470 | 47 | | |
| 1R1 | 1.1 | | | 3R3 | 3.3 | | | 120 | 12 | | | 510 | 51 | | |
| 1R2 | 1.2 | | | 3R6 | 3.6 | | | 130 | 13 | | | 560 | 56 | | |
| 1R3 | 1.3 | | | 3R9 | 3.9 | | | 150 | 15 | | | 680 | 68 | | |
| 1R4 | 1.4 | | | 4R3 | 4.3 | B, C, D | | 180 | 18 | | | 750 | 75 | | |
| 1R5 | 1.5 | | | 4R7 | 4.7 | | | 200 | 20 | | | 820 | 82 | | |
| 1R6 | 1.6 | | | 5R1 | 5.1 | | | 220 | 22 | | | 910 | 91 | | |
| 1R7 | 1.7 | B, C, D | 250 | 5R6 | 5.6 | | 250 | 240 | 24 | F, G, J, K | 250 | 101 | 100 | F, G, J, K | 250 |
| 1R8 | 1.8 | | | 6R2 | 6.2 | | | 270 | 27 | | | 111 | 110 | | |
| 1R9 | 1.9 | | | 6R8 | 6.8 | | | 300 | 30 | | | 121 | 120 | | |
| 2R0 | 2.0 | | | 7R5 | 7.5 | B, C | | 330 | 33 | | | 131 | 130 | | |
| 2R1 | 2.1 | | | 8R2 | 8.2 | | | 360 | 36 | | | 141 | 140 | | |
| 2R2 | 2.2 | | | 9R1 | 9.1 | | | 390 | 39 | | | 151 | 150 | | |
| 2R4 | 2.4 | | | 100 | 10 | F, G, J, K | | 430 | 43 | | | 161 | 160 | | |
| 2R7 | 2.7 | | | | | | | | | | | | | | |

Part Number Code



The above part number refers to an ATC HP 0805 Series 100 pF capacitor, F tolerance (±1%), 250 WVDC, with T termination (Tin Plated over Nickel Barrier), on 7 inch reel.

For additional information and catalogs contact your ATC representative or call direct at (+1-631) 622-4700. Consult factory for additional performance data.

ATC HP 1210 Series High Performance NPO Ceramic MLCS

Electrical Characteristics:

Capacitance Range: 1.0 pF to 1000 pF @ 1 MHz

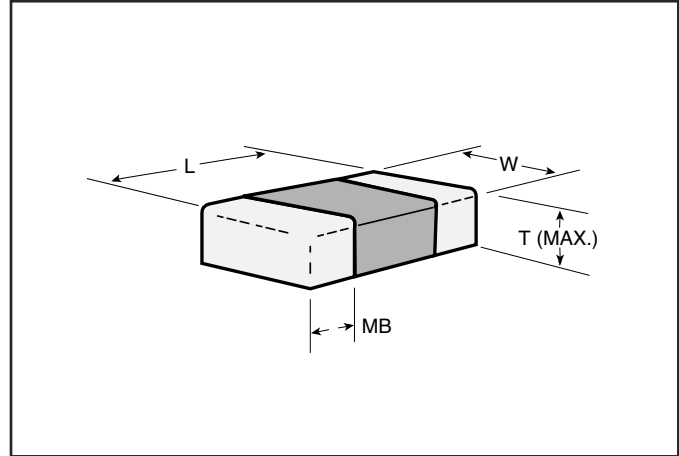
Temperature Coefficient of Capacitance: 0 ± 30 ppm/°C (-55° to +125°C)

Insulation Resistance (IR) $10^{12} \Omega$ min. @ 25°C and rated WVDC
 $10^{11} \Omega$ min. @ 125°C and rated WVDC

Dielectric Working Voltage (DWV): 250% of rated WVDC

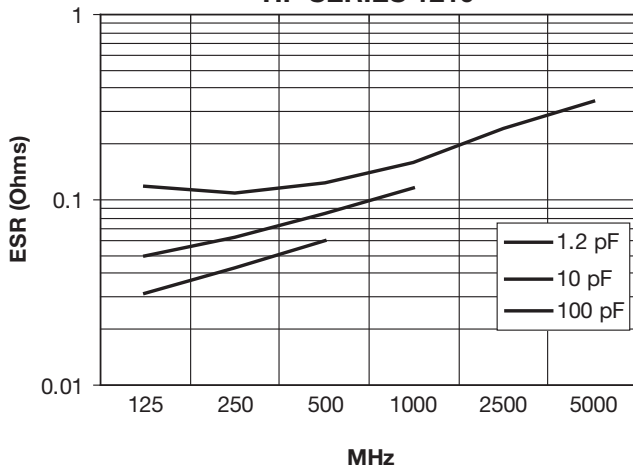
Working Voltage (WVDC) 200, 100 WVDC

ATC offers the new HP Series high performance family of MLC ceramic capacitors. Built in a rugged ceramic SMT package, these products deliver high performance at the right price. The HP series is available in four popular EIA case sizes and is suitable for tuning, DC blocking, coupling and bypassing over the full range of wireless frequencies. All HP Series products are RoHS compliant.

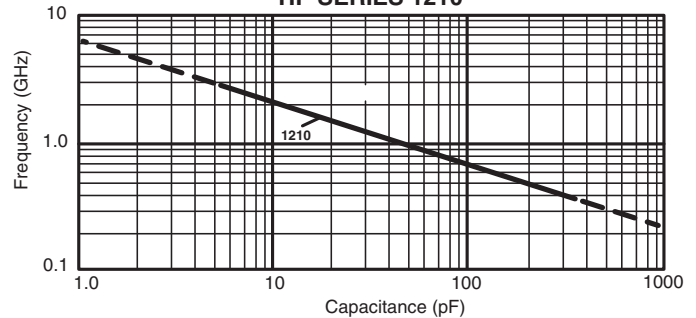


| Case Size | 1210 |
|-----------------|----------------------------------|
| Length (L) | 0.126 ± 0.008 (3.2 ±0.2) |
| Width (W) | 0.098 ± 0.008 (2.49 ±0.2) |
| T Max. | 0.050 ± 0.005 (1.27 ±0.127) |
| Term. (MB) Max. | 0.025 ± 0.015 (0.635 ±0.381) |

**TYPICAL ESR vs. FREQUENCY
HP SERIES 1210**



**TYPICAL
SERIES RESONANT FREQUENCY
HP SERIES 1210**



A M E R I C A N T E C H N I C A L C E R A M I C S

ATC North America
sales@atceramics.com

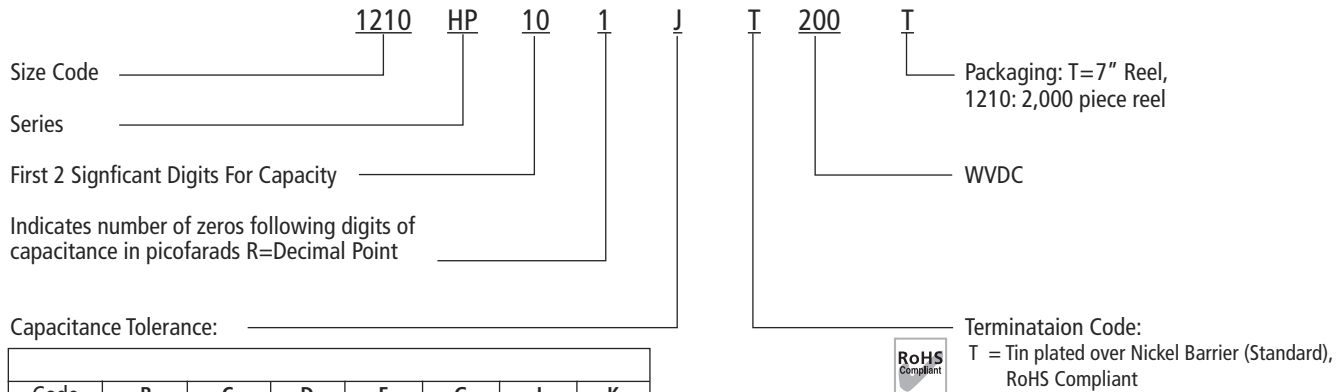
ATC Europe
sales@atceramics.com

ATC Asia
sales@atceramics-asia.com

Capacitance Values:

| CAP. CODE | CAP. (pF) | TOL. | RATED WVDC | CAP. CODE | CAP. (pF) | TOL. | RATED WVDC | CAP. CODE | CAP. (pF) | TOL. | RATED WVDC | CAP. CODE | CAP. (pF) | TOL. | RATED WVDC |
|-----------|-----------|---------|------------|-----------|-----------|------------|------------|-----------|-----------|------------|------------|-----------|-----------|------------|------------|
| 1R0 | 1.0 | | | 4R3 | 4.3 | | | 300 | 30 | | | 181 | 180 | | |
| 1R1 | 1.1 | | | 4R7 | 4.7 | | | 330 | 33 | | | 201 | 200 | | |
| 1R2 | 1.2 | | | 5R1 | 5.1 | B, C, D | | 360 | 36 | | | 221 | 220 | | |
| 1R3 | 1.3 | | | 5R6 | 5.6 | | | 390 | 39 | | | 271 | 270 | | |
| 1R4 | 1.4 | | | 6R2 | 6.2 | | | 430 | 43 | | | 301 | 300 | | 200 |
| 1R5 | 1.5 | | | 6R8 | 6.8 | | | 470 | 47 | | | 331 | 330 | | |
| 1R6 | 1.6 | | | 7R5 | 7.5 | B, C | | 510 | 51 | | | 361 | 360 | | |
| 1R7 | 1.7 | | | 8R2 | 8.2 | | | 560 | 56 | | | 391 | 390 | | |
| 1R8 | 1.8 | | | 9R1 | 9.1 | | | 680 | 68 | | | 431 | 430 | | |
| 1R9 | 1.9 | B, C, D | 200 | 100 | 10 | | 200 | 750 | 75 | F, G, J, K | 200 | 471 | 470 | F, G, J, K | |
| 2R0 | 2.0 | | | 110 | 11 | | | 820 | 82 | | | 511 | 510 | | |
| 2R1 | 2.1 | | | 120 | 12 | | | 910 | 91 | | | 561 | 560 | | |
| 2R2 | 2.2 | | | 130 | 13 | | | 101 | 100 | | | 621 | 620 | | |
| 2R4 | 2.4 | | | 150 | 15 | F, G, J, K | | 111 | 110 | | | 681 | 680 | | 100 |
| 2R7 | 2.7 | | | 180 | 18 | | | 121 | 120 | | | 751 | 750 | | |
| 3R0 | 3.0 | | | 200 | 20 | | | 131 | 130 | | | 821 | 820 | | |
| 3R3 | 3.3 | | | 220 | 22 | | | 141 | 140 | | | 911 | 910 | | |
| 3R6 | 3.6 | | | 240 | 24 | | | 151 | 150 | | | 102 | 1000 | | |
| 3R9 | 3.9 | | | 270 | 27 | | | 161 | 160 | | | | | | |

Part Number Code



| Code | B | C | D | F | G | J | K |
|------|---------|----------|---------|-----|-----|-----|------|
| Tol. | ±0.1 pF | ±0.25 pF | ±0.5 pF | ±1% | ±2% | ±5% | ±10% |

The above part number refers to an ATC HP 1210 Series 100 pF capacitor, F tolerance (±1%), 200 WVDC, with T termination (Tin Plated over Nickel Barrier), on 7 inch reel.

For additional information and catalogs contact your ATC representative or call direct at (+1-631) 622-4700. Consult factory for additional performance data.

Sales of ATC products are subject to the terms and conditions contained in American Technical Ceramics Corp. Terms and Conditions of Sale(ATC document #001-992 Rev. B 12/05). Copies of these terms and conditions will be provided upon request. They may also be viewed on ATC's website at www.atceramics.com/productfinder/default.asp. Click on the link for Terms and Conditions of Sale.

ATC has made every effort to have this information as accurate as possible. However, no responsibility is assumed by ATC for its use, nor for any infringements of rights of third parties which may result from its use. ATC reserves the right to revise the content or modify its product without prior notice.

© 2011 American Technical Ceramics. All Rights Reserved.

ATC 001-1103 Rev. C; 7/12



AMERICAN

ATC North America
sales@atceramics.com

TECHNICAL

ATC Europe
saleseur@atceramics.com

CERAMICS

ATC Asia
sales@atceramics-asia.com



THE ENGINEERS' CHOICE™

www.atceramics.com

Mouser Electronics

Authorized Distributor

Click to View Pricing, Inventory, Delivery & Lifecycle Information:

[American Technical Ceramics \(ATC\):](#)

[0402HP100GT50T](#)

Компания «Океан Электроники» предлагает заключение долгосрочных отношений при поставках импортных электронных компонентов на взаимовыгодных условиях!

Наши преимущества:

- Поставка оригинальных импортных электронных компонентов напрямую с производств Америки, Европы и Азии, а так же с крупнейших складов мира;
- Широкая линейка поставок активных и пассивных импортных электронных компонентов (более 30 млн. наименований);
- Поставка сложных, дефицитных, либо снятых с производства позиций;
- Оперативные сроки поставки под заказ (от 5 рабочих дней);
- Экспресс доставка в любую точку России;
- Помощь Конструкторского Отдела и консультации квалифицированных инженеров;
- Техническая поддержка проекта, помощь в подборе аналогов, поставка прототипов;
- Поставка электронных компонентов под контролем ВП;
- Система менеджмента качества сертифицирована по Международному стандарту ISO 9001;
- При необходимости вся продукция военного и аэрокосмического назначения проходит испытания и сертификацию в лаборатории (по согласованию с заказчиком);
- Поставка специализированных компонентов военного и аэрокосмического уровня качества (Xilinx, Altera, Analog Devices, Intersil, Interpoint, Microsemi, Actel, Aeroflex, Peregrine, VPT, Syfer, Eurofarad, Texas Instruments, MS Kennedy, Miteq, Cobham, E2V, MA-COM, Hittite, Mini-Circuits, General Dynamics и др.);

Компания «Океан Электроники» является официальным дистрибьютором и эксклюзивным представителем в России одного из крупнейших производителей разъемов военного и аэрокосмического назначения «JONHON», а так же официальным дистрибьютором и эксклюзивным представителем в России производителя высокотехнологичных и надежных решений для передачи СВЧ сигналов «FORSTAR».



JONHON

«JONHON» (основан в 1970 г.)

Разъемы специального, военного и аэрокосмического назначения:

(Применяются в военной, авиационной, аэрокосмической, морской, железнодорожной, горно- и нефтедобывающей отраслях промышленности)

«FORSTAR» (основан в 1998 г.)

ВЧ соединители, коаксиальные кабели, кабельные сборки и микроволновые компоненты:

(Применяются в телекоммуникациях гражданского и специального назначения, в средствах связи, РЛС, а так же военной, авиационной и аэрокосмической отраслях промышленности).



Телефон: 8 (812) 309-75-97 (многоканальный)

Факс: 8 (812) 320-03-32

Электронная почта: ocean@oceanchips.ru

Web: <http://oceanchips.ru/>

Адрес: 198099, г. Санкт-Петербург, ул. Калинина, д. 2, корп. 4, лит. А