

Miniature Amplified Low Pressure Sensors

Low Pressure (0.5" H₂O to 30 " H₂O) Sensors



Features

- 0 to 0.5" H₂O to 0 to 30" H₂O Pressure Ranges
- Temperature Compensated
- Calibrated Zero and Span

Applications

- Medical Instrumentation
- Environmental Controls
- HVAC

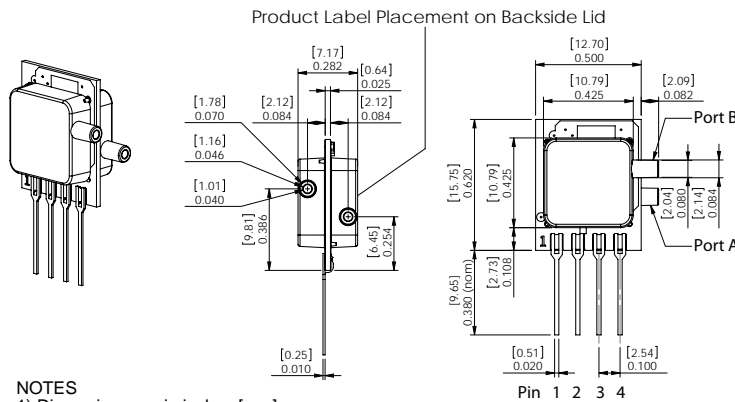
General Description

The Miniature Amplified Output pressure sensor is based upon a proprietary technology to reduce all output offset or common mode errors. This model provides a calibrated amplified output with superior output offset characteristics. Output offset errors due to change in temperature, stability to warm-up, stability to long time period, and position sensitivity are all significantly reduced when compared to conventional compensation methods. In addition the sensor utilizes a silicon, micromachined, stress concentration enhanced structure to provide a very linear output to measured pressure.

These calibrated and temperature compensated sensors give an accurate and stable output over a wide temperature range. This series is intended for use with non-corrosive, non-ionic working fluids such as air, dry gases and the like.

The output of the device is ratiometric to the supply voltage and operation from any D.C. supply voltage between 4.5 and 5.5

Physical Dimensions

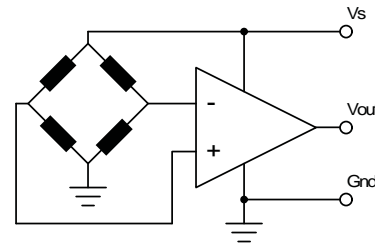


- NOTES
 1) Dimensions are in inches [mm].
 2) For suggested pad layout, see drawing: PAD-01

D1 version, D2 version, G version

- Pin 1: Vs
 Pin 2: Gnd
 Pin 3: Vout
 Pin 4: Do Not Connect

Equivalent Circuit



Approvals

| MKT | DATE | MFG | DATE | ENG | DATE | QA | DATE |
|---|------|---|------|---|------|---|------|
| <input type="checkbox"/> As Is <input type="checkbox"/> With Change | | <input type="checkbox"/> As Is <input type="checkbox"/> With Change | | <input type="checkbox"/> As Is <input type="checkbox"/> With Change | | <input type="checkbox"/> As Is <input type="checkbox"/> With Change | |

All Sensors

DS-0101 Rev B

Pressure Sensor Characteristics Maximum Ratings

| | |
|--|------------------|
| Supply Voltage, Vs | +4.5 to +5.5 Vdc |
| Common-mode pressure | 10 psig |
| Lead Temperature (soldering 2-4 sec.) | 250°C |

Environmental Specifications

| | |
|---------------------------|---------------------------------|
| Temperature Ranges | |
| Compensated | 5 to 50° C |
| Operating | -25 to 85° C |
| Storage | -40 to 125° C |
| Humidity Limits | 0 to 95% RH (non condensing) |

Standard Pressure Ranges

| Part Number | Operating Pressure | Nominal Span | Proof Pressure | Burst Pressure |
|---------------------|--------------------|--------------|----------------|----------------|
| 0.5 INCH-Dx-4V-MINI | ± 0.5 inH2O | 4 V | 100 inH2O | 200 inH2O |
| 1 INCH-Dx-4V-MINI | ±1 inH2O | 4 V | 100 inH2O | 200 inH2O |
| 1 INCH-G-4V-MINI | 0 - 1 inH2O | 4 V | 100 inH2O | 200 inH2O |
| 5 INCH-Dx-4V-MINI | ± 5 inH2O | 4 V | 200 inH2O | 300 inH2O |
| 5 INCH-G-4V-MINI | 0 - 5 inH2O | 4 V | 200 inH2O | 300 inH2O |
| 10 INCH-Dx-4V-MINI | ±10 inH2O | 4 V | 200 inH2O | 300 inH2O |
| 10 INCH-G-4V-MINI | 0 - 10 inH2O | 4 V | 200 inH2O | 300 inH2O |
| 20 INCH-Dx-4V-MINI | ±20 inH2O | 4 V | 300 inH2O | 500 inH2O |
| 20 INCH-G-4V-MINI | 0 - 20 inH2O | 4 V | 300 inH2O | 500 inH2O |
| 30 INCH-Dx-4V-MINI | ±30 inH2O | 4 V | 500 inH2O | 800 inH2O |
| 30 INCH-G-4V-MINI | 0 - 30 inH2O | 4 V | 500 inH2O | 800 inH2O |

For differential pressure D1 is the package with two pressure ports the same side, D2 has two ports the opposite sides.

Performance Characteristics for 0.5 INCH-Dx-4V-MINI

| Parameter, note 1 | Minimum | Nominal | Maximum | Units |
|---|---------|---------|---------|-------|
| Operating Range, differential pressure | - | ±0.5 | - | inH2O |
| Output Span, note 5 | ±1.90 | ±2.0 | ±2.10 | V |
| Offset Voltage @ zero differential pressure | 2.15 | 2.25 | 2.35 | V |
| Offset Temperature Shift (5°C-50°C), note 2 | - | - | ±120 | mV |
| Offset Warm-up Shift, note 3 | - | ±10 | - | mV |
| Offset Position Sensitivity (±1g) | - | ±5 | - | mV |
| Offset Long Term Drift (one year) | - | ±10 | - | mV |
| Linearity, hysteresis error, note 4 | - | 0.05 | 0.25 | %FSS |
| Span Shift (5°C-50°C), note 2 | - | - | ±2 | %FSS |

Performance Characteristics for 1 INCH-Dx-4V-MINI

| Parameter, note 1 | Minimum | Nominal | Maximum | Units |
|---|---------|---------|---------|-------|
| Operating Range, differential pressure | - | ±1.0 | - | inH2O |
| Output Span, note 5 | ±1.90 | ±2.0 | ±2.10 | V |
| Offset Voltage @ zero differential pressure | 2.15 | 2.25 | 2.35 | V |
| Offset Temperature Shift (5°C-50°C), note 2 | - | - | ±60 | mV |
| Offset Warm-up Shift, note 3 | - | ±10 | - | mV |
| Offset Position Sensitivity (±1g) | - | ±5 | - | mV |
| Offset Long Term Drift (one year) | - | ±10 | - | mV |
| Linearity, hysteresis error, note 4 | - | 0.05 | 0.25 | %FSS |
| Span Shift (5°C-50°C), note 2 | - | - | ±2 | %FSS |

Performance Characteristics for 1 INCH-G-4V-MINI

| Parameter, note 1 | Minimum | Nominal | Maximum | Units |
|---|---------|---------|---------|-------|
| Operating Range, gage pressure | - | 1.0 | - | inH2O |
| Output Span, note 5 | 3.90 | 4.0 | 4.10 | V |
| Offset Voltage @ zero pressure | 0.15 | 0.25 | 0.35 | V |
| Offset Temperature Shift (5°C-50°C), note 2 | - | - | ±60 | mV |
| Offset Warm-up Shift, note 3 | - | ±10 | - | mV |
| Offset Position Sensitivity (±1g) | - | ±5 | - | mV |
| Offset Long Term Drift (one year) | - | ±10 | - | mV |
| Linearity, hysteresis error, note 4 | - | 0.05 | 0.25 | %FSS |
| Span Shift (5°C-50°C), note 2 | - | - | ±2 | %FSS |

Performance Characteristics for 5 INCH-Dx-4V-MINI

| Parameter, note 1 | Minimum | Nominal | Maximum | Units |
|---|---------|---------|---------|-------|
| Operating Range, differential pressure | - | ±5.0 | - | inH2O |
| Output Span, note 5 | ±1.90 | ±2.0 | ±2.10 | V |
| Offset Voltage @ zero differential pressure | 2.15 | 2.25 | 2.35 | V |
| Offset Temperature Shift (5°C-50°C), note 2 | - | - | ±40 | mV |
| Offset Warm-up Shift, note 3 | - | ±5 | - | mV |
| Offset Position Sensitivity (±1g) | - | ±5 | - | mV |
| Offset Long Term Drift (one year) | - | ±5 | - | mV |
| Linearity, hysteresis error, note 4 | - | 0.05 | 0.25 | %FSS |
| Span Shift (5°C-50°C), note 2 | - | - | ±1 | %FSS |

Performance Characteristics for: 5 INCH-G-4V-MINI

| Parameter, NOTE 1 | Minimum | Nominal | Maximum | Units |
|---|---------|---------|---------|-------|
| Operating Range, gage pressure | - | 5.0 | - | inH2O |
| Output Span, NOTE 5 | 3.90 | 4.0 | 4.10 | V |
| Offset Voltage @ zero pressure | 0.15 | 0.25 | 0.35 | V |
| Offset Temperature Shift (5°C-50°C), NOTE 2 | - | - | ±40 | mV |
| Offset Warm-up Shift, NOTE 3 | - | ±5 | - | mV |
| Offset Position Sensitivity (±1g) | - | ±5 | - | mV |
| Offset Long Term Drift (one year) | - | ±5 | - | mV |
| Linearity, hysteresis error, NOTE 4 | - | 0.05 | 0.25 | %FSS |
| Span Shift (5°C-50°C), NOTE 2 | - | - | ±1 | %FSS |

Performance Characteristics for: 10 INCH-Dx-4V-MINI

| Parameter, NOTE 1 | Minimum | Nominal | Maximum | Units |
|---|---------|---------|---------|-------|
| Operating Range, differential pressure | - | ±10.0 | - | inH2O |
| Output Span, NOTE 5 | ±1.90 | ±2.0 | ±2.10 | V |
| Offset Voltage @ zero differential pressure | 2.15 | 2.25 | 2.35 | V |
| Offset Temperature Shift (5°C-50°C), NOTE 2 | - | - | ±20 | mV |
| Offset Warm-up Shift, NOTE 3 | - | ±5 | - | mV |
| Offset Position Sensitivity (±1g) | - | ±5 | - | mV |
| Offset Long Term Drift (one year) | - | ±5 | - | mV |
| Linearity, hysteresis error, NOTE 4 | - | 0.05 | 0.25 | %FSS |
| Span Shift (5°C-50°C), NOTE 2 | - | - | ±1 | %FSS |

Performance Characteristics for: 10 INCH-G-4V-MINI

| Parameter, NOTE 1 | Minimum | Nominal | Maximum | Units |
|---|---------|---------|---------|-------|
| Operating Range, gage pressure | - | 10.0 | - | inH2O |
| Output Span, NOTE 5 | 3.90 | 4.0 | 4.10 | V |
| Offset Voltage @ zero pressure | 0.15 | 0.25 | 0.35 | V |
| Offset Temperature Shift (5°C-50°C), NOTE 2 | - | - | ±20 | mV |
| Offset Warm-up Shift, NOTE 3 | - | ±5 | - | mV |
| Offset Position Sensitivity (±1g) | - | ±5 | - | mV |
| Offset Long Term Drift (one year) | - | ±5 | - | mV |
| Linearity, hysteresis error, NOTE 4 | - | 0.05 | 0.25 | %FSS |
| Span Shift (5°C-50°C), NOTE 2 | - | - | ±1 | %FSS |

Performance Characteristics for 20 INCH-Dx-4V-MINI

| Parameter, note 1 | Minimum | Nominal | Maximum | Units |
|---|---------|---------|---------|-------|
| Operating Range, differential pressure | - | ±20.0 | - | inH2O |
| Output Span, note 5 | ±1.90 | ±2.0 | ±2.10 | V |
| Offset Voltage @ zero differential pressure | 2.15 | 2.25 | 2.35 | V |
| Offset Temperature Shift (5°C-50°C), note 2 | - | - | ±20 | mV |
| Offset Warm-up Shift, note 3 | - | ±5 | - | mV |
| Offset Position Sensitivity (±1g) | - | ±5 | - | mV |
| Offset Long Term Drift (one year) | - | ±5 | - | mV |
| Linearity, hysteresis error, note 4 | - | 0.05 | 0.25 | %FSS |
| Span Shift (5°C-50°C), note 2 | - | - | ±1 | %FSS |

Performance Characteristics for 20 INCH-G-4V-MINI

| Parameter, note 1 | Minimum | Nominal | Maximum | Units |
|---|---------|---------|---------|-------|
| Operating Range, gage pressure | - | 20.0 | - | inH2O |
| Output Span, note 5 | 3.90 | 4.0 | 4.1 | V |
| Offset Voltage @ zero pressure | 0.15 | 0.25 | 0.35 | V |
| Offset Temperature Shift (5°C-50°C), note 2 | - | - | ±20 | mV |
| Offset Warm-up Shift, note 3 | - | ±5 | - | mV |
| Offset Position Sensitivity (±1g) | - | ±5 | - | mV |
| Offset Long Term Drift (one year) | - | ±5 | - | mV |
| Linearity, hysteresis error, note 4 | - | 0.05 | 0.25 | %FSS |
| Span Shift (5°C-50°C), note 2 | - | - | ±1 | %FSS |

Performance Characteristics for 30 INCH-Dx-4V-MINI

| Parameter, note 1 | Minimum | Nominal | Maximum | Units |
|---|---------|---------|---------|-------|
| Operating Range, differential pressure | - | ±30.0 | - | inH2O |
| Output Span, note 5 | ±1.90 | ±2.0 | ±2.10 | V |
| Offset Voltage @ zero differential pressure | 2.15 | 2.25 | 2.35 | V |
| Offset Temperature Shift (5°C-50°C), note 2 | - | - | ±20 | mV |
| Offset Warm-up Shift, note 3 | - | ±5 | - | mV |
| Offset Position Sensitivity (±1g) | - | ±5 | - | mV |
| Offset Long Term Drift (one year) | - | ±5 | - | mV |
| Linearity, hysteresis error, note 4 | - | 0.05 | 0.25 | %FSS |
| Span Shift (5°C-50°C), note 2 | - | - | ±1 | %FSS |

Performance Characteristics for 30 INCH-G-4V-MINI

| Parameter, NOTE 1 | Minimum | Nominal | Maximum | Units |
|---|---------|---------|---------|-------|
| Operating Range, gage pressure | - | 30.0 | - | inH2O |
| Output Span, NOTE 5 | 3.9 | 4.0 | 4.1 | V |
| Offset Voltage @ zero pressure | 0.15 | 0.25 | 0.35 | V |
| Offset Temperature Shift (5°C-50°C), NOTE 2 | - | - | ±20 | mV |
| Offset Warm-up Shift, NOTE 3 | - | ±5 | - | mV |
| Offset Position Sensitivity (±1g) | - | ±5 | - | mV |
| Offset Long Term Drift (one year) | - | ±5 | - | mV |
| Linearity, hysteresis error, NOTE 4 | - | 0.05 | 0.25 | %FSS |
| Span Shift (5°C-50°C), NOTE 2 | - | - | ±1 | %FSS |

Pressure Response: for any pressure applied the response time to get to 90% of pressure applied is typically less than 500 useconds.

Specification Notes

NOTE 1: ALL PARAMETERS ARE MEASURED AT 5.0 VOLT EXCITATION, FOR THE NOMINAL FULL SCALE PRESSURE AND ROOM TEMPERATURE UNLESS OTHERWISE SPECIFIED.

PRESSURE MEASUREMENTS ARE WITH POSITIVE PRESSURE APPLIED TO THE **B-PORT**.

NOTE 2: SHIFT IS RELATIVE TO 25°C.

NOTE 3: SHIFT IS WITHIN THE FIRST HOUR OF EXCITATION APPLIED TO THE DEVICE.

NOTE 4: MEASURED AT ONE-HALF FULL SCALE RATED PRESSURE USING BEST STRAIGHT LINE CURVE FIT.

NOTE 5: THE VOLTAGE ADDED TO THE OFFSET VOLTAGE AT FULL SCALE PRESSURE. NOMINALLY THE OUTPUT VOLTAGE RANGE IS 0.25 TO 4.25 VOLTS FOR MINUS TO PLUS FULL SCALE PRESSURE.

All Sensors reserves the right to make changes to any products herein. All Sensors does not assume any liability arising out of the application or use of any product or circuit described herein, neither does it convey any license under its patent rights nor the rights of others.

Компания «Океан Электроники» предлагает заключение долгосрочных отношений при поставках импортных электронных компонентов на взаимовыгодных условиях!

Наши преимущества:

- Поставка оригинальных импортных электронных компонентов напрямую с производств Америки, Европы и Азии, а так же с крупнейших складов мира;
- Широкая линейка поставок активных и пассивных импортных электронных компонентов (более 30 млн. наименований);
- Поставка сложных, дефицитных, либо снятых с производства позиций;
- Оперативные сроки поставки под заказ (от 5 рабочих дней);
- Экспресс доставка в любую точку России;
- Помощь Конструкторского Отдела и консультации квалифицированных инженеров;
- Техническая поддержка проекта, помощь в подборе аналогов, поставка прототипов;
- Поставка электронных компонентов под контролем ВП;
- Система менеджмента качества сертифицирована по Международному стандарту ISO 9001;
- При необходимости вся продукция военного и аэрокосмического назначения проходит испытания и сертификацию в лаборатории (по согласованию с заказчиком);
- Поставка специализированных компонентов военного и аэрокосмического уровня качества (Xilinx, Altera, Analog Devices, Intersil, Interpoint, Microsemi, Actel, Aeroflex, Peregrine, VPT, Syfer, Eurofarad, Texas Instruments, MS Kennedy, Miteq, Cobham, E2V, MA-COM, Hittite, Mini-Circuits, General Dynamics и др.);

Компания «Океан Электроники» является официальным дистрибьютором и эксклюзивным представителем в России одного из крупнейших производителей разъемов военного и аэрокосмического назначения «JONHON», а так же официальным дистрибьютором и эксклюзивным представителем в России производителя высокотехнологичных и надежных решений для передачи СВЧ сигналов «FORSTAR».



JONHON

«JONHON» (основан в 1970 г.)

Разъемы специального, военного и аэрокосмического назначения:

(Применяются в военной, авиационной, аэрокосмической, морской, железнодорожной, горно- и нефтедобывающей отраслях промышленности)

«FORSTAR» (основан в 1998 г.)

ВЧ соединители, коаксиальные кабели, кабельные сборки и микроволновые компоненты:

(Применяются в телекоммуникациях гражданского и специального назначения, в средствах связи, РЛС, а так же военной, авиационной и аэрокосмической отраслях промышленности).



Телефон: 8 (812) 309-75-97 (многоканальный)

Факс: 8 (812) 320-03-32

Электронная почта: ocean@oceanchips.ru

Web: <http://oceanchips.ru/>

Адрес: 198099, г. Санкт-Петербург, ул. Калинина, д. 2, корп. 4, лит. А