

1

2

3

4

5

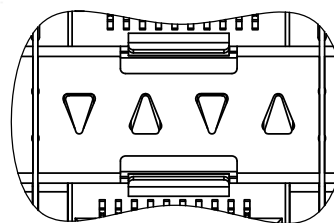
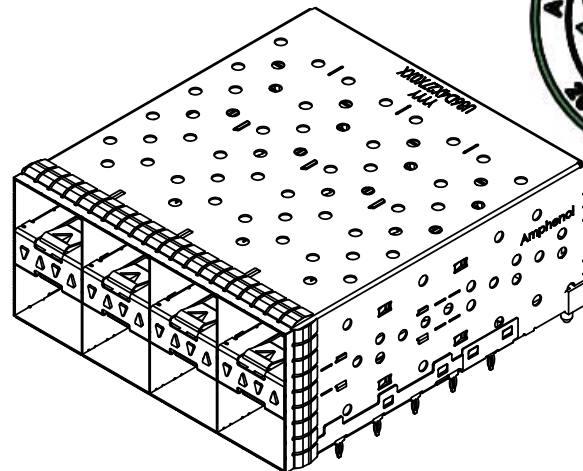
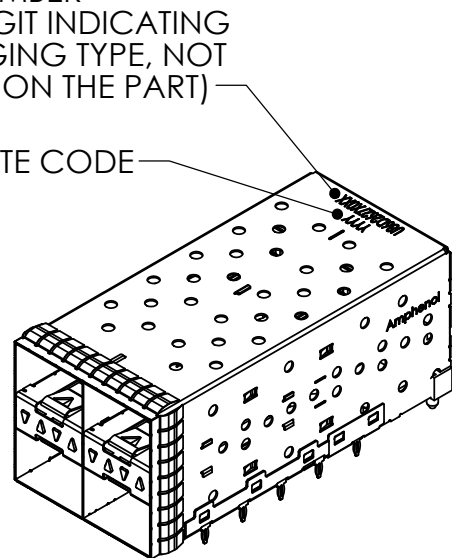
6



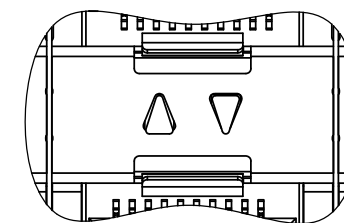
| REVISIONS | | | | |
|-----------|-----|-------------|------------|----------|
| REV. | ECN | DESCRIPTION | DATE | APPROVED |
| A | | PROPOSAL | AUG.30, 11 | J.SI |
| B | | PROPOSAL | MAY.15, 13 | J.SI |

PART NUMBER
(LAST DIGIT INDICATING
PACKAGING TYPE, NOT
PRINTED ON THE PART)

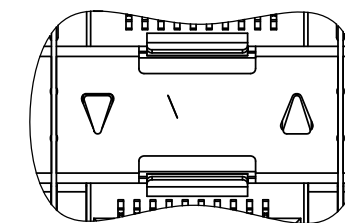
DATE CODE



UE86-DX627-10XX1
4 LIGHT PIPES PER 2X1



UE86-DX627-20XX1
2 INNER LIGHT PIPES
PER 2X1



UE86-DX627-30XX1
2 OUTER LIGHT PIPES
PER 2X1

MATERIAL: (RoHS COMPLIANT)

CAGE - PRESS FIT:
COPPER ALLOY

PLATING:
SEE AMPHENOL PART NUMBER
CONFIGURATION FOR OPTIONS.

CONNECTOR - PRESS FIT:

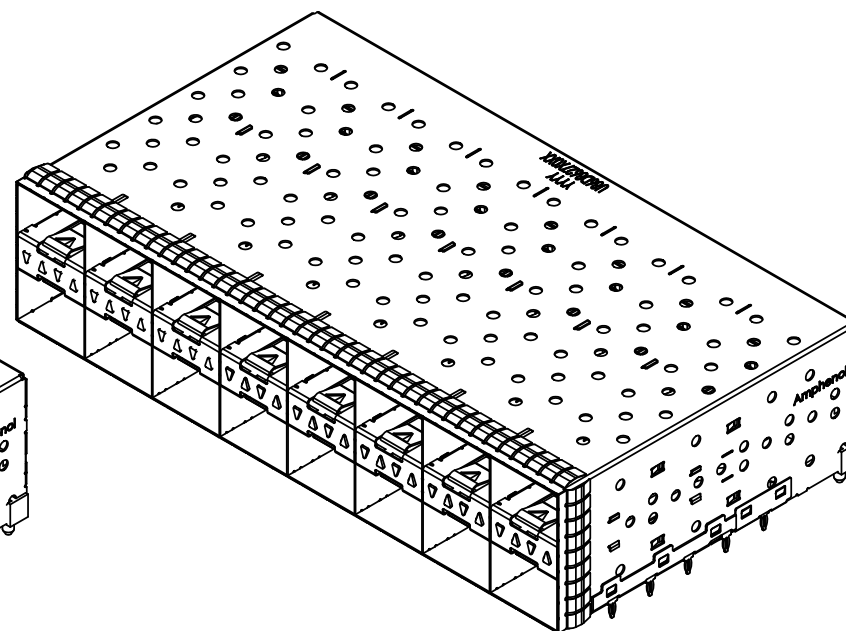
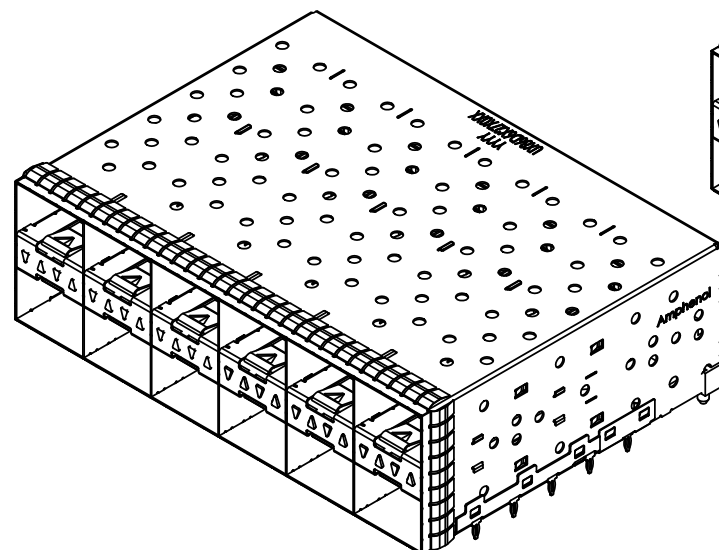
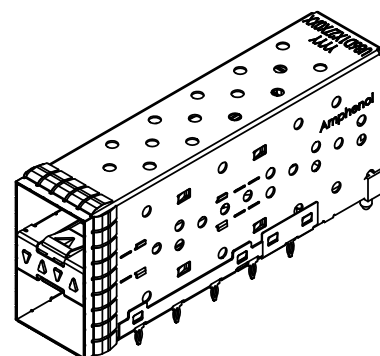
PLASTIC HOUSING:
LCP, FLAMMABILITY RATING UL94-0.

CONTACTS:
PHOSPHOR BRONZE
PLATING OPTION: NICKEL 2.54 µm MIN.

LIGHT PIPE:
CLEAR POLYCARBONATE, FLAMMABILITY
RATING UL94-0.

PACKAGING:
TRAY PACKAGING.

TEMPERATURE RANGE:
-40°C TO +85°C



AMPHENOL PART NUMBER CONFIGURATION

UE86 - D X 6 2 7 - X 0 X X 1

NUMBER OF PORTS

- 1 = 2X1
- 2 = 2X2
- 4 = 2X4
- 6 = 2X6
- 8 = 2X8

LIGHT PIPE CONFIGURATION

- 1 = 4 LIGHT PIPES PER 2X1
- 2 = 2 INNER LIGHT PIPES PER 2X1
- 3 = 2 OUTER LIGHT PIPES PER 2X1

PACKAGING

- 1 = TRAY

CAGE PLATING

- 2 = NICKEL
- 3 = MATTE TIN

PRESS FIT CONNECTOR PLATING

- 3 = 0.76 µm MIN. GOLD ON MATING AREA
3.81-7.62 µm MATTE TIN ON TERMINATION
- 6 = 0.38 µm MIN. GOLD ON MATING AREA
3.81-7.62 µm MATTE TIN ON TERMINATION

2XN SFP+ EXPRESSPORT™ COMBO
WITH LIGHT PIPE
(SPRING FINGER GASKET)

DO NOT SCALE DRAWING

THIS DOCUMENT CONTAINS PROPRIETARY INFORMATION AND SUCH INFORMATION MAY NOT BE DISCLOSED TO OTHERS FOR ANY PURPOSE OR USED FOR MANUFACTURING PURPOSES WITHOUT PERMISSION FROM AMPHENOL CANADA CORP.

| | | | | | |
|--|--------|-----------|---------|--|--|
| UNLESS OTHERWISE SPECIFIED DIMENSIONS ARE IN MILLIMETERS TOLERANCES ARE: | | APPROVALS | DATE | Amphenol High Speed Interconnects A Division of Amphenol Corp. www.amphenol-highspeed.com | |
| DECIMALS | ANGLES | | | | |
| X.X ± 0.25 | ± 1° | DRAWN | ERIC.Z | AUG.30, 11 | TITLE |
| X.XX ± 0.15 | | DESIGNED | | | 2XN SFP+ EXPRESSPORT™ COMBO WITH LIGHT PIPE (SPRING FINGER GASKET) |
| MATERIAL AND FINISH | | CHECKED | ChigowX | AUG.30, 11 | |
| SEE NOTES | | QA APP'D | | | SIZE |
| REF. | X | IE APP'D | | | A4 |
| CODE IDENT. NO. | 03554 | DWG APP'D | J.SI | AUG.30, 11 | DWG. NO. |
| | | | | | P-UE86-DX627-X0XX1 |
| | | | | | SCALE |
| | | | | | 2:3 |
| | | | | | PROJECT |
| | | | | | SHEET |
| | | | | | 1 OF 8 |

1

2

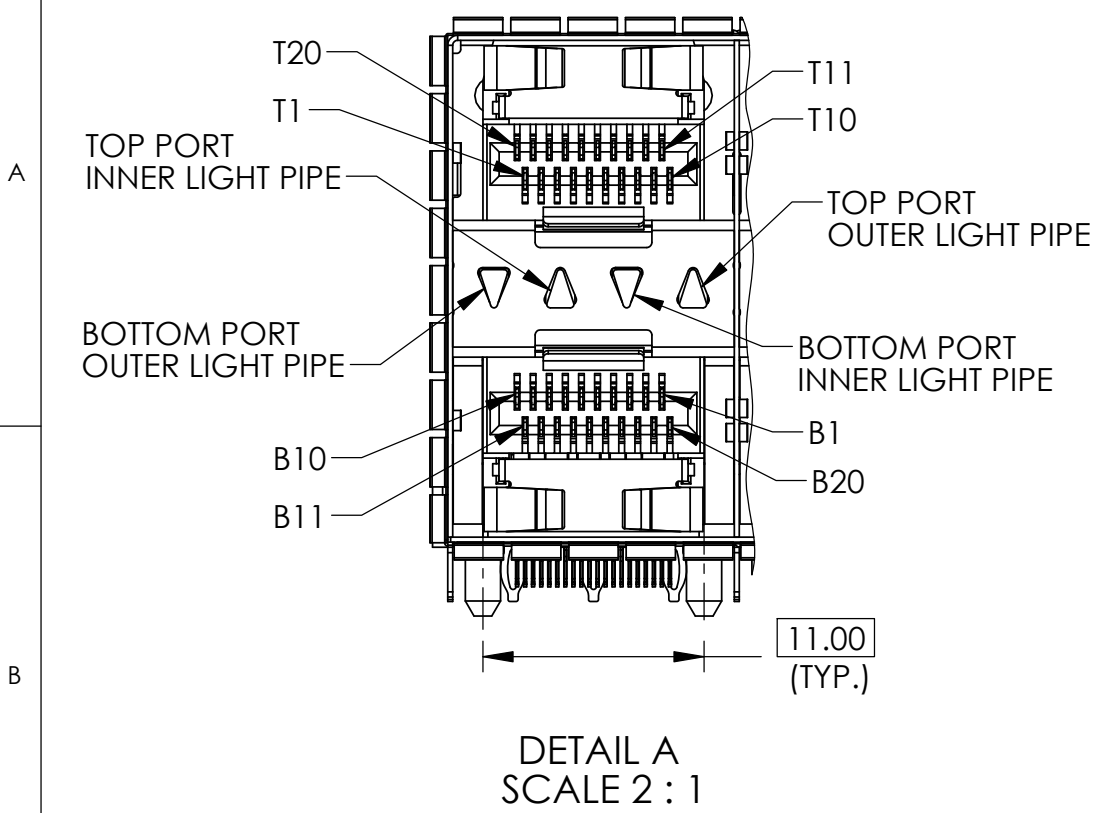
3

4

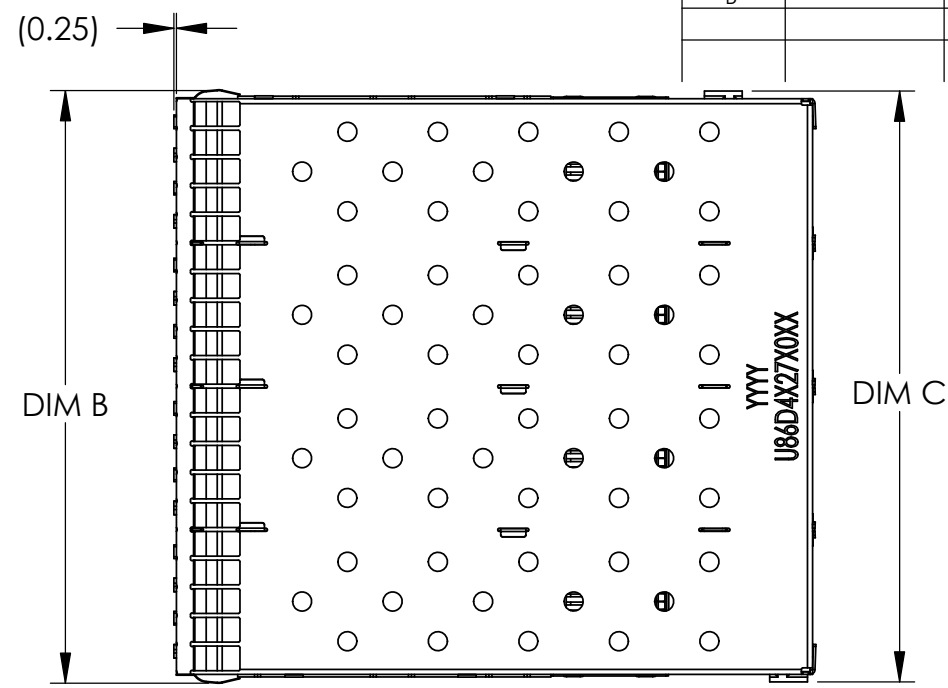
5

6

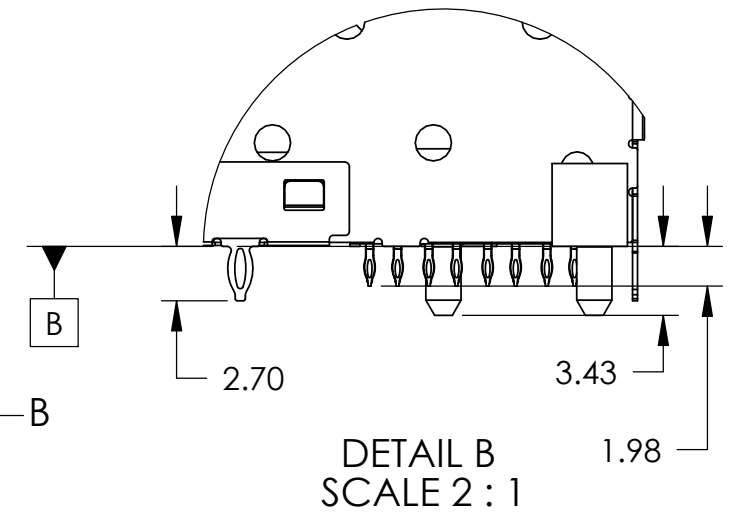
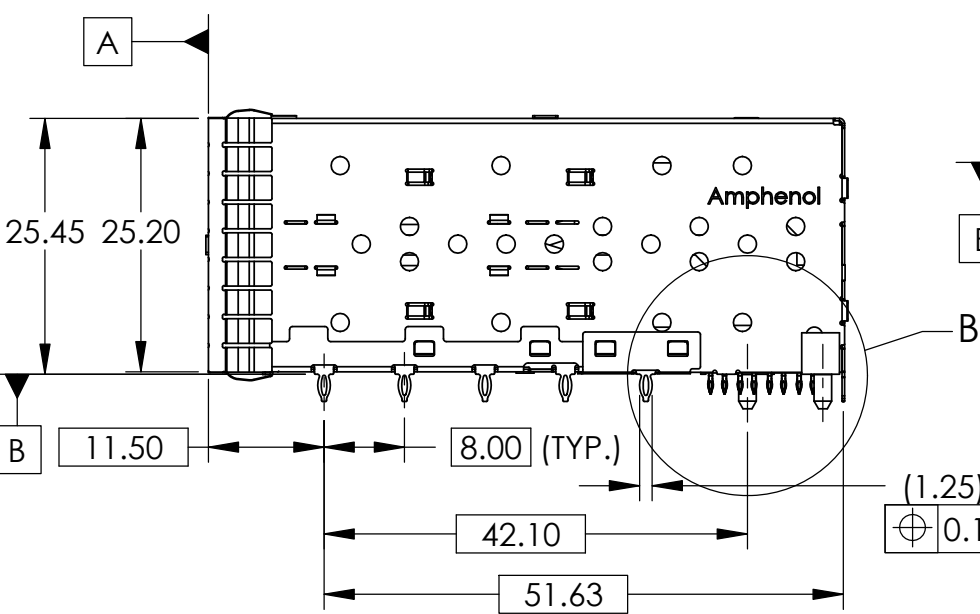
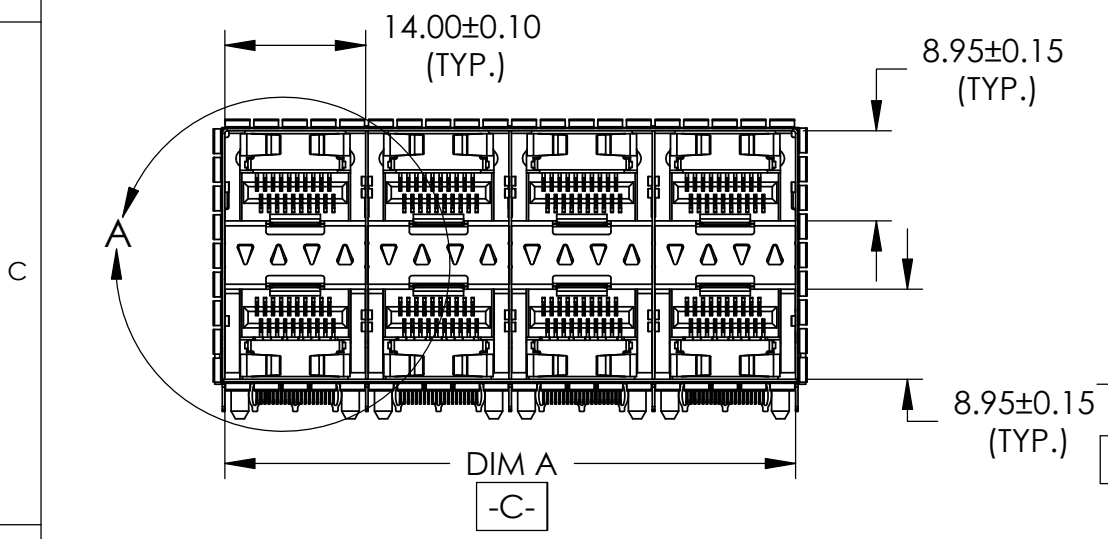
| REVISIONS | | | | |
|-----------|-----|-------------|------------|----------|
| REV. | ECN | DESCRIPTION | DATE | APPROVED |
| A | | PROPOSAL | AUG.30, 11 | J.SI |
| B | | PROPOSAL | MAY.15, 13 | J.SI |



DETAIL A
SCALE 2:1



| SFP COMBO | DIM A | DIM B | DIM C |
|-----------|--------|--------|--------|
| 2X1 SFP | 14.00 | 16.25 | 16.00 |
| 2X2 SFP | 28.25 | 30.50 | 30.25 |
| 2X4 SFP | 56.75 | 59.00 | 58.75 |
| 2X6 SFP | 85.25 | 87.50 | 87.25 |
| 2X8 SFP | 113.75 | 116.00 | 115.75 |



DETAIL B
SCALE 2:1

DO NOT SCALE DRAWING

THIS DOCUMENT CONTAINS PROPRIETARY INFORMATION AND SUCH INFORMATION MAY NOT BE DISCLOSED TO OTHERS FOR ANY PURPOSE OR USED FOR MANUFACTURING PURPOSES WITHOUT PERMISSION FROM AMPHENOL CANADA CORP.

| | | | |
|--|------------------|-------------|--|
| UNLESS OTHERWISE SPECIFIED DIMENSIONS ARE IN MILLIMETERS TOLERANCES ARE: DECIMALS X.X ± 0.25 X.XX ± 0.15 MATERIAL AND FINISH SEE NOTES REF. X CODE IDENT. NO. 03554 | APPROVALS | DATE | Amphenol High Speed Interconnects A Division of Amphenol Corp. www.amphenol-highspeed.com 2XN SFP+ EXPRESSPORT™ COMBO WITH LIGHT PIPE (SPRING FINGER GASKET) |
| | DRAWN ERIC.Z | AUG.30, 11 | |
| | DESIGNED | | |
| | CHECKED ChigowX | AUG.30, 11 | |
| | QA APPD | | TITLE |
| | IE APP'D | | SIZE A4 DWG. NO. P-UE86-DX627-X0XX1 REV. B |
| | DWG APP'D J.SI | AUG.30, 11 | SCALE 1:1 PROJECT SHEET 2 OF 8 |

1

2

3

4

5

6

A

B

C

D

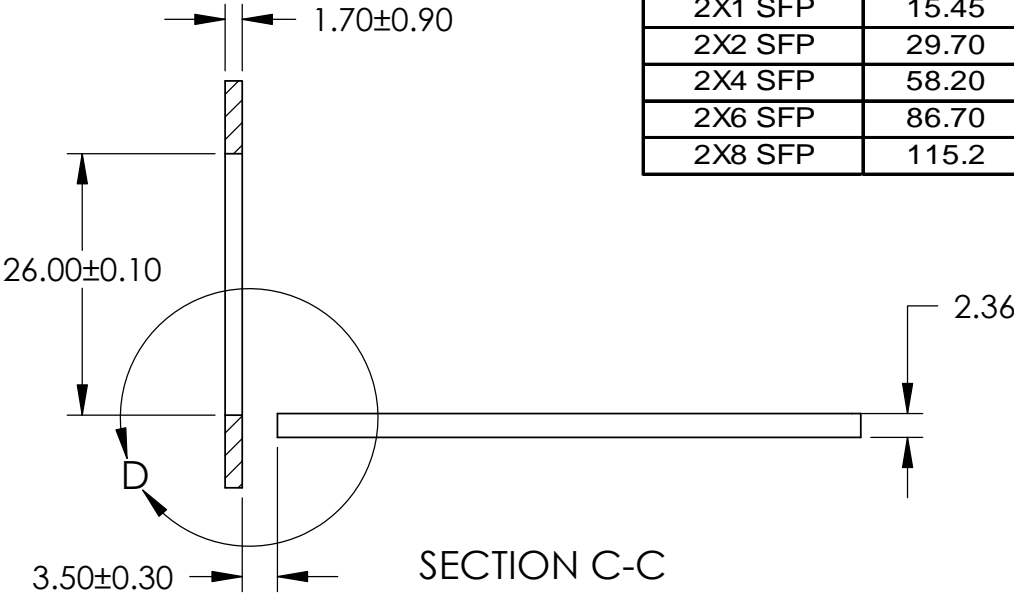
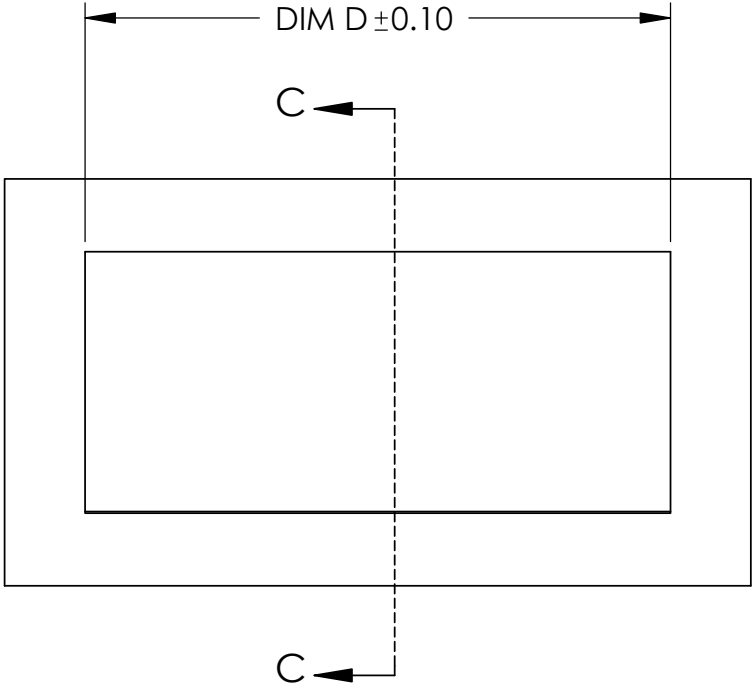
A

B

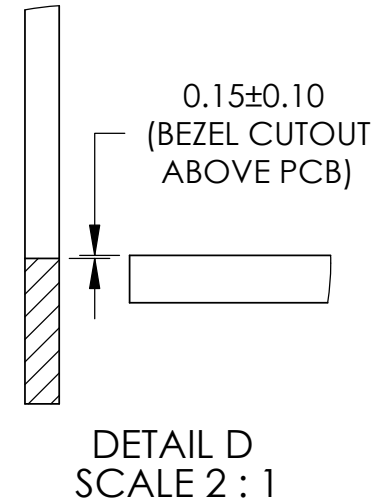
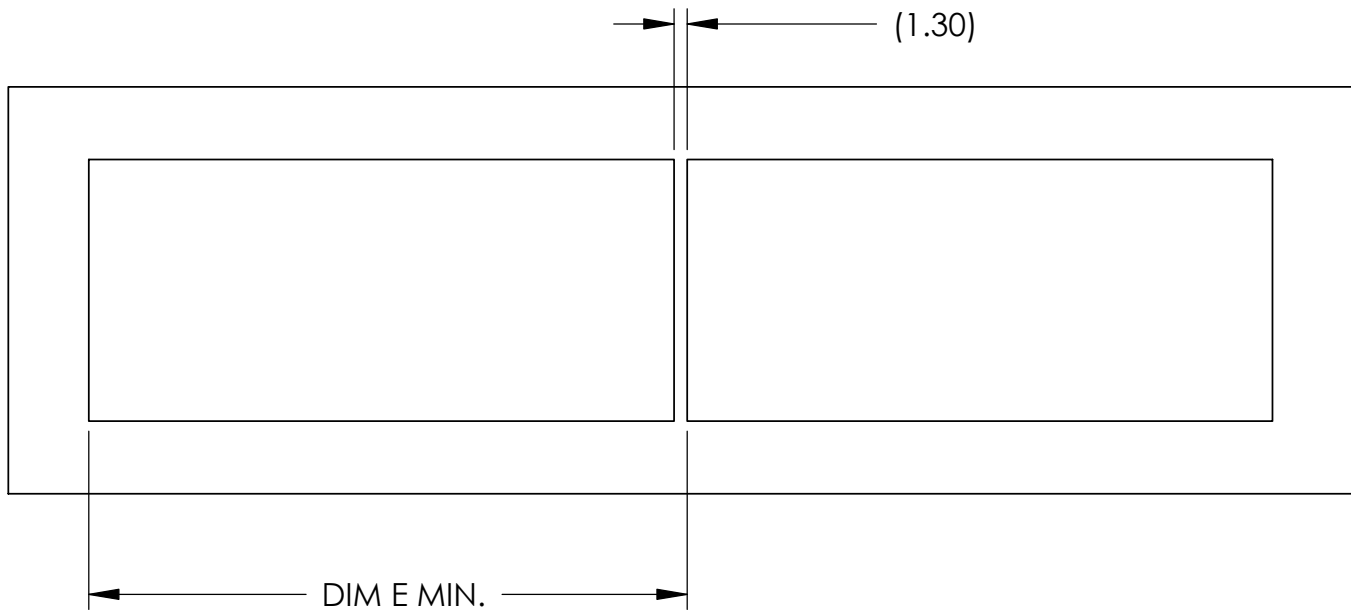
C

D

| REVISIONS | | | | |
|-----------|-----|-------------|------------|----------|
| REV. | ECN | DESCRIPTION | DATE | APPROVED |
| A | | PROPOSAL | AUG.30, 11 | J.SI |
| B | | PROPOSAL | MAY.15, 13 | J.SI |



| | | |
|---------|-------|-------|
| 2X1 SFP | 15.45 | 16.75 |
| 2X2 SFP | 29.70 | 31.00 |
| 2X4 SFP | 58.20 | 59.50 |
| 2X6 SFP | 86.70 | 88.00 |
| 2X8 SFP | 115.2 | 116.5 |



DO NOT SCALE DRAWING

THIS DOCUMENT CONTAINS PROPRIETARY INFORMATION AND SUCH INFORMATION MAY NOT BE DISCLOSED TO OTHERS FOR ANY PURPOSE OR USED FOR MANUFACTURING PURPOSES WITHOUT PERMISSION FROM AMPHENOL CANADA CORP.

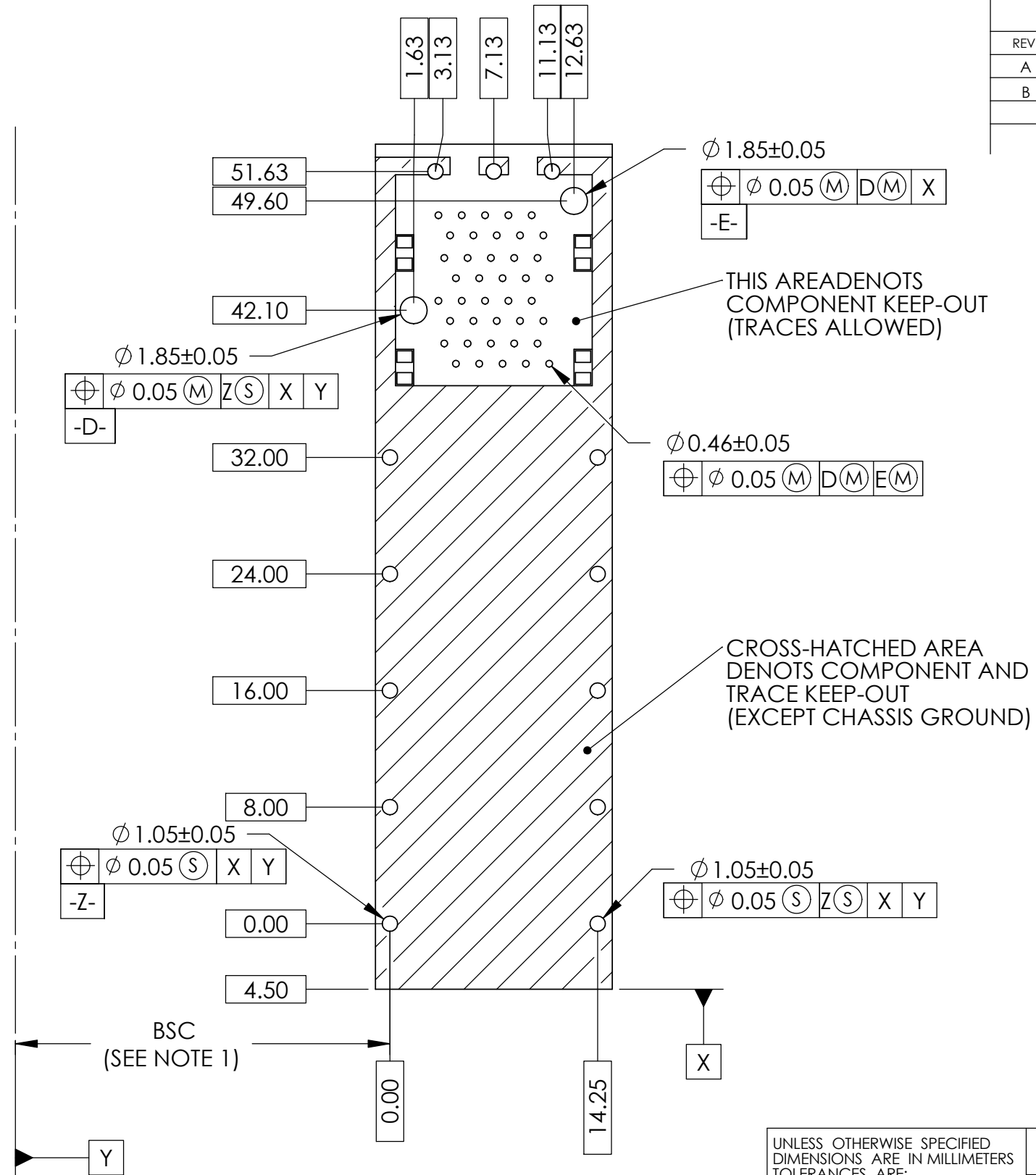
| | | | | |
|---|------------------|-----------|-------------|---|
| UNLESS OTHERWISE SPECIFIED DIMENSIONS ARE IN MILLIMETERS TOLERANCES ARE: DECIMALS ANGLES X.X ± 0.25 ± 1° X.XX ± 0.15 | APPROVALS | | DATE | Amphenol High Speed Interconnects A Division of Amphenol Corp. www.amphenol-highspeed.com |
| | DRAWN | ERIC.Z | AUG.30, 11 | |
| | DESIGNED | | | |
| | CHECKED | ChigowX | AUG.30, 11 | |
| MATERIAL AND FINISH | SEE NOTES | | QA APP'D | TITLE |
| REF. | X | IE APP'D | | 2XN SFP+ EXPRESSPORT™ COMBO WITH LIGHT PIPE (SPRING FINGER GASKET) |
| CODE IDENT. NO. | 03554 | DWG APP'D | J.SI | SIZE A4 DWG. NO. P-UE86-DX627-X0XX1 REV. B |
| | | | AUG.30, 11 | SCALE 1:1 PROJECT SHEET 3 OF 8 |

1

2

3

| REVISIONS | | | | |
|-----------|-----|-------------|------------|----------|
| REV. | ECN | DESCRIPTION | DATE | APPROVED |
| A | | PROPOSAL | AUG.30, 11 | J.SI |
| B | | PROPOSAL | MAY.15, 13 | J.SI |



- NOTES:
- DATUM AND BASIC DIMENSIONS ESTABLISHED BY CUSTOMER.
 - 1.05 mm DIAMETER HOLES ARE CHASSIS GROUND (13 HOLES).

2X1 PCB LAYOUT

DO NOT SCALE DRAWING

THIS DOCUMENT CONTAINS PROPRIETARY INFORMATION AND SUCH INFORMATION MAY NOT BE DISCLOSED TO OTHERS FOR ANY PURPOSE OR USED FOR MANUFACTURING PURPOSES WITHOUT PERMISSION FROM AMPHENOL CANADA CORP.

| | | | | | |
|---|-------------------|------------|-------------|---|--------------------------------|
| UNLESS OTHERWISE SPECIFIED DIMENSIONS ARE IN MILLIMETERS TOLERANCES ARE: DECIMALS ANGLES X.X ± 0.25 ± 1° X.XX ± 0.15 | APPROVALS | | DATE | Amphenol High Speed Interconnects A Division of Amphenol Corp. www.amphenol-highspeed.com | |
| | DRAWN | ERIC.Z | AUG.30, 11 | TITLE 2XN SFP+ EXPRESSPORT™ COMBO WITH LIGHT PIPE (SPRING FINGER GASKET) | |
| | DESIGNED | | | | |
| | CHECKED | ChigowX | AUG.30, 11 | SIZE A4 | DWG. NO. P-UE86-DX627-X0XX1 |
| MATERIAL AND FINISH SEE NOTES | QA APP'D | | | SCALE 2:1 | PROJECT |
| REF. X | IE APP'D | | | | SHEET 4 OF 8 |
| CODE IDENT. NO. 03554 | DWG APP'D J.SI | AUG.30, 11 | | | |

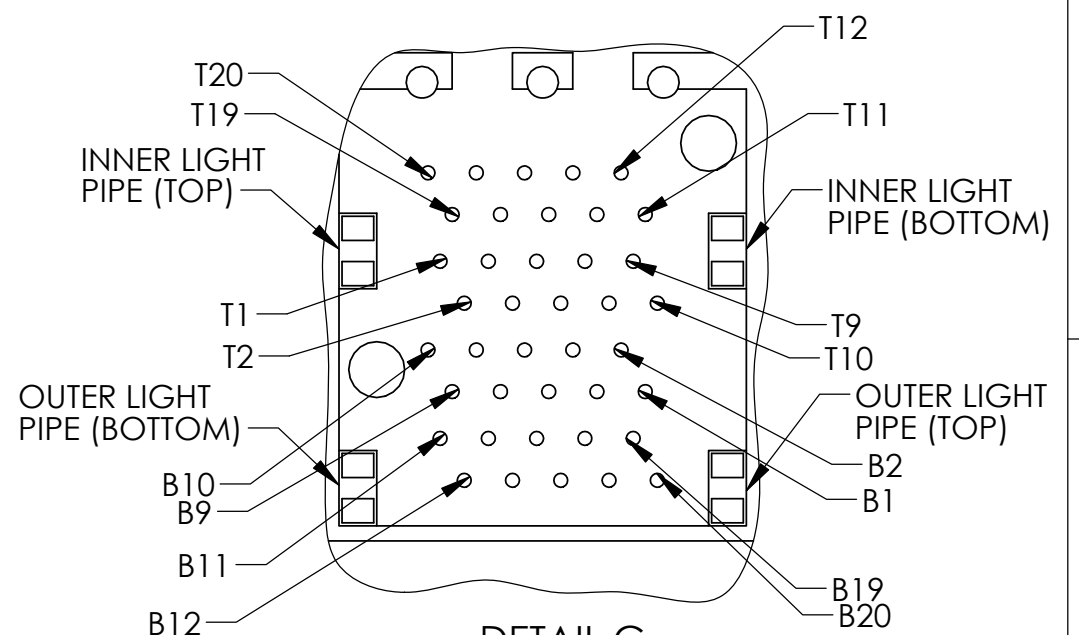
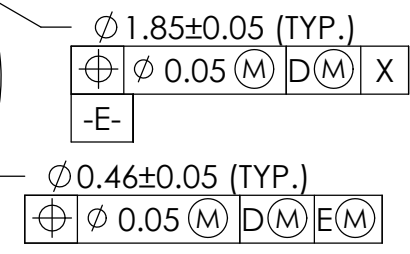
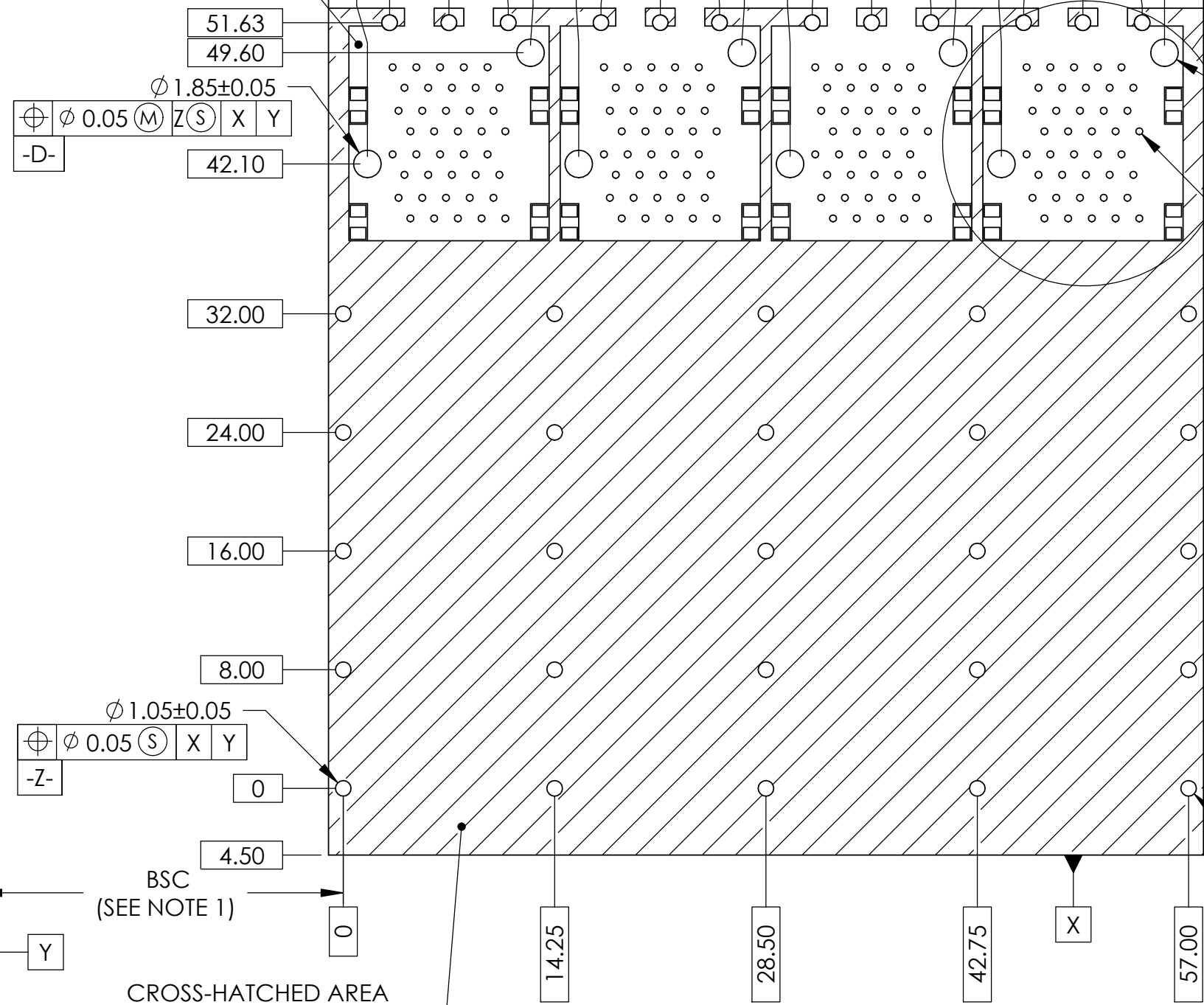
1 2 3 4 5 6

REVISIONS

| REV. | ECN | DESCRIPTION | DATE | APPROVED |
|------|-----|-------------|------------|----------|
| A | | PROPOSAL | AUG.30, 11 | J.SI |
| B | | PROPOSAL | MAY.15, 13 | J.SI |

THIS AREA DENOTES COMPONENT KEEP-OUT (TRACES ALLOWED)

- NOTES:
- DATUM AND BASIC DIMENSIONS ESTABLISHED BY CUSTOMER.
 - 1.05 mm DIAMETER HOLES ARE CHASSIS GROUND (37 HOLES).



DETAIL G
SCALE 3:1

BSC (SEE NOTE 1)

CROSS-HATCHED AREA DENOTES COMPONENT AND TRACE KEEP-OUT (EXCEPT CHASSIS GROUND)

2X4 PCB LAYOUT

DO NOT SCALE DRAWING

THIS DOCUMENT CONTAINS PROPRIETARY INFORMATION AND SUCH INFORMATION MAY NOT BE DISCLOSED TO OTHERS FOR ANY PURPOSE OR USED FOR MANUFACTURING PURPOSES WITHOUT PERMISSION FROM AMPHENOL CANADA CORP.

| | | | | |
|---|------------------|-----------|-------------|---|
| UNLESS OTHERWISE SPECIFIED DIMENSIONS ARE IN MILLIMETERS TOLERANCES ARE: DECIMALS ANGLES X.X ± 0.25 ± 1° X.XX ± 0.15 | APPROVALS | | DATE | Amphenol High Speed Interconnects A Division of Amphenol Corp. www.amphenol-highspeed.com |
| | DRAWN | ERIC.Z | AUG.30, 11 | |
| | DESIGNED | | | |
| | CHECKED | ChigowX | AUG.30, 11 | |
| MATERIAL AND FINISH | SEE NOTES | | QA APPD | TITLE |
| REF. | X | IE APP'D | | 2XN SFP+ EXPRESSPORT™ COMBO WITH LIGHT PIPE (SPRING FINGER GASKET) |
| CODE IDENT. NO. | 03554 | DWG APP'D | J.SI | SIZE A4 DWG. NO. P-UE86-DX627-X0XX1 REV. B |
| | | | AUG.30, 11 | SCALE 2:1 PROJECT SHEET 6 OF 8 |

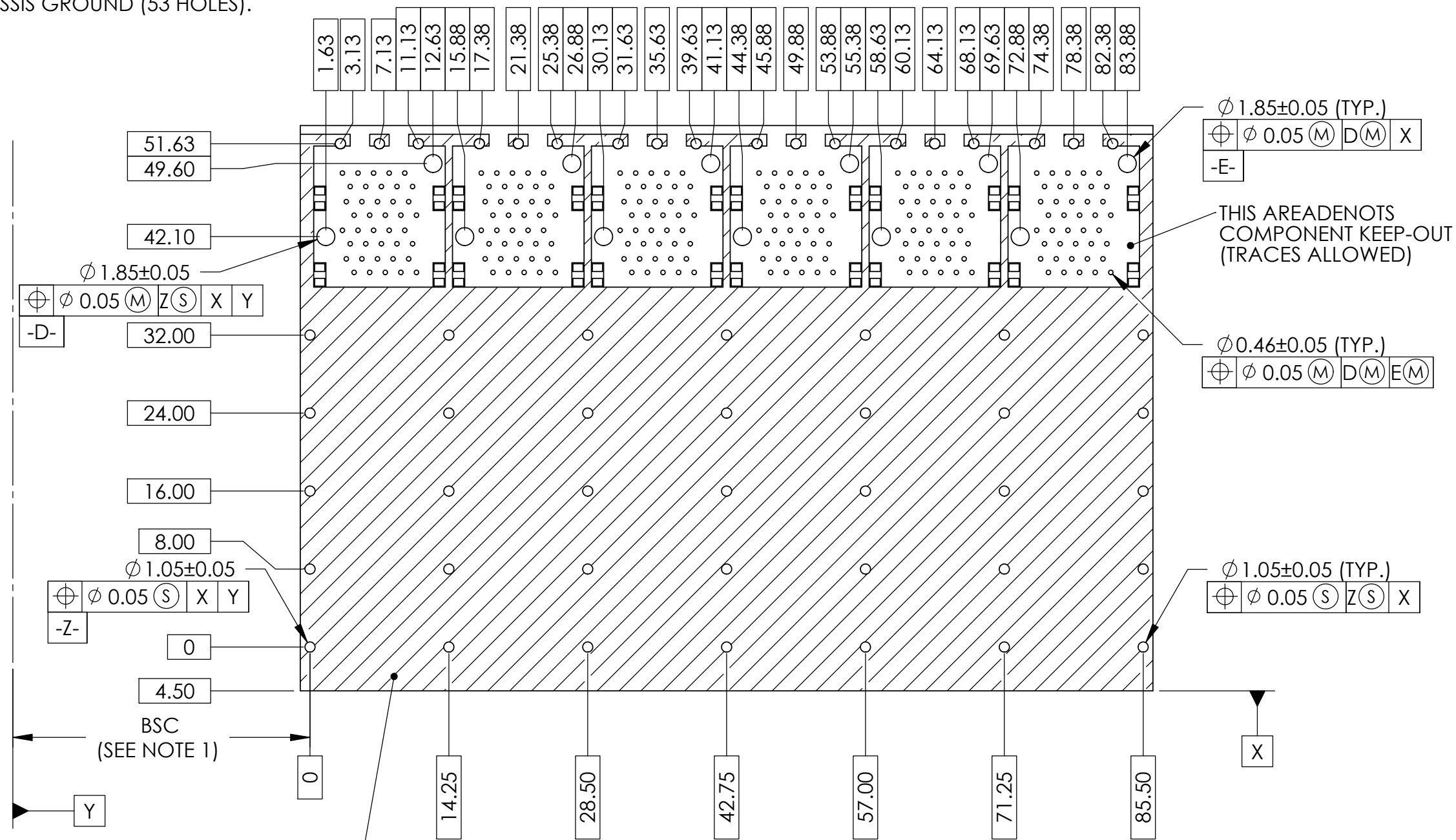
1 2 3

NOTES:

1. DATUM AND BASIC DIMENSIONS ESTABLISHED BY CUSTOMER.

2. 1.05 mm DIAMETER HOLES ARE CHASSIS GROUND (53 HOLES).

| REVISIONS | | | | |
|-----------|-----|-------------|------------|----------|
| REV. | ECN | DESCRIPTION | DATE | APPROVED |
| A | | PROPOSAL | AUG.30, 11 | J.SI |
| B | | PROPOSAL | MAY.15, 13 | J.SI |



CROSS-HATCHED AREA DENOTS COMPONENT AND TRACE KEEP-OUT (EXCEPT CHASSIS GROUND)

2X6 PCB LAYOUT

DO NOT SCALE DRAWING

THIS DOCUMENT CONTAINS PROPRIETARY INFORMATION AND SUCH INFORMATION MAY NOT BE DISCLOSED TO OTHERS FOR ANY PURPOSE OR USED FOR MANUFACTURING PURPOSES WITHOUT PERMISSION FROM AMPHENOL CANADA CORP.

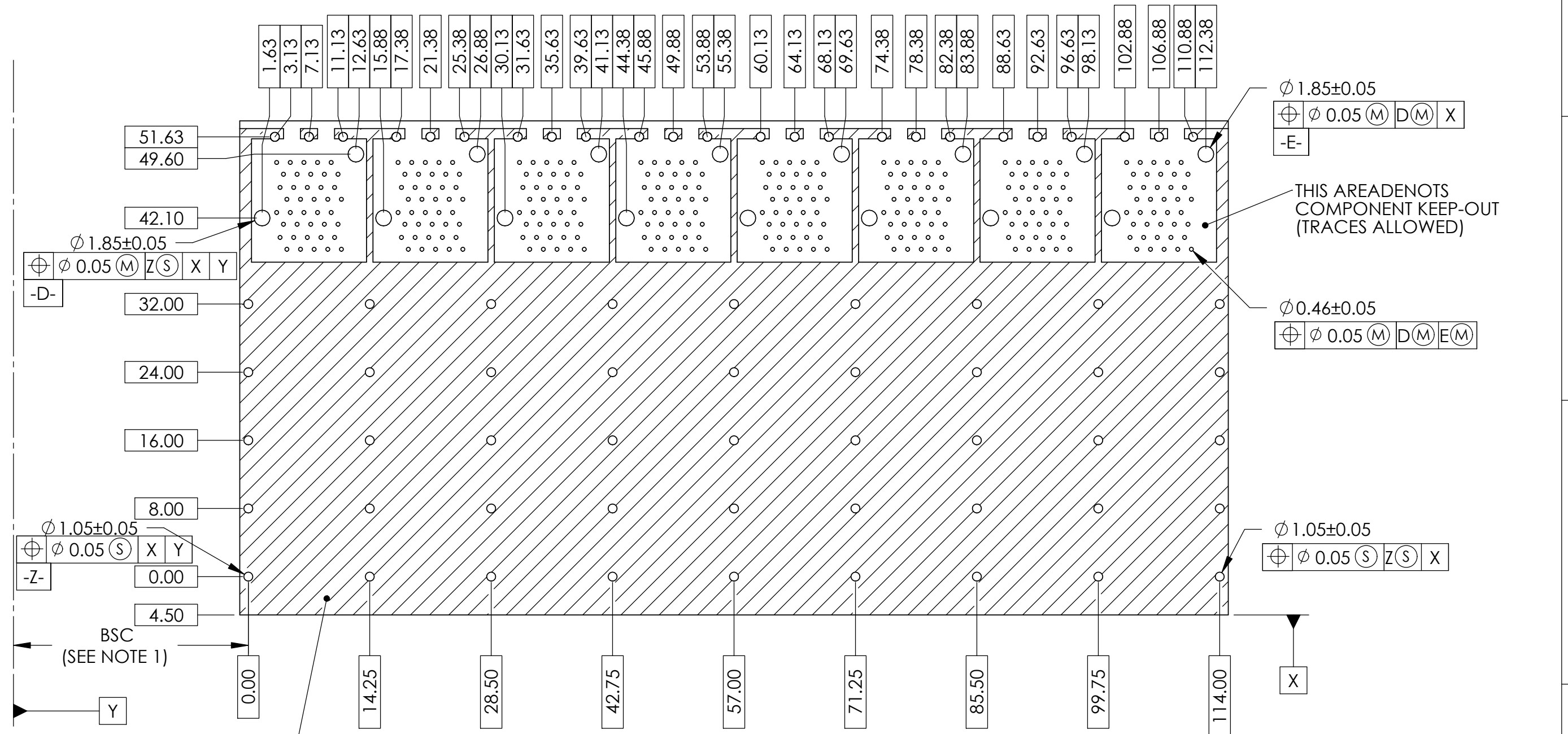
| | | | | | | | |
|--|--|-----------------|--|------------|--|--|--|
| UNLESS OTHERWISE SPECIFIED DIMENSIONS ARE IN MILLIMETERS TOLERANCES ARE: | | APPROVALS | | DATE | | Amphenol High Speed Interconnects A Division of Amphenol Corp. www.amphenol-highspeed.com | |
| DECIMALS X.X ± 0.25 | | DRAWN ERIC.Z | | AUG.30, 11 | | TITLE | |
| ANGLES ± 1° | | DESIGNED | | | | 2XN SFP+ EXPRESSPORT™ COMBO WITH LIGHT PIPE (SPRING FINGER GASKET) | |
| MATERIAL AND FINISH SEE NOTES | | CHECKED ChigowX | | AUG.30, 11 | | SIZE A4 DWG. NO. P-UE86-DX627-X0XX1 REV. B | |
| REF. X | | QA APPD | | | | SCALE 3:2 PROJECT SHEET 7 OF 8 | |
| CODE IDENT. NO. 03554 | | IE APP'D | | AUG.30, 11 | | | |
| | | DWG APP'D J.SI | | | | | |

NOTES:

- DATUM AND BASIC DIMENSIONS ESTABLISHED BY CUSTOMER.
- 1.05 mm DIAMETER HOLES ARE CHASSIS GROUND (69 HOLES).

REVISIONS

| REV. | ECN | DESCRIPTION | DATE | APPROVED |
|------|-----|-------------|------------|----------|
| A | | PROPOSAL | AUG.30, 11 | J.SI |
| B | | PROPOSAL | MAY.15, 13 | J.SI |



2X8 PCB LAYOUT

CROSS-HATCHED AREA DENOTS COMPONENT AND TRACE KEEP-OUT (EXCEPT CHASSIS GROUND)

DO NOT SCALE DRAWING

THIS DOCUMENT CONTAINS PROPRIETARY INFORMATION AND SUCH INFORMATION MAY NOT BE DISCLOSED TO OTHERS FOR ANY PURPOSE OR USED FOR MANUFACTURING PURPOSES WITHOUT PERMISSION FROM AMPHENOL CANADA CORP.

| | | | |
|---|-----------------|------------|--|
| UNLESS OTHERWISE SPECIFIED DIMENSIONS ARE IN MILLIMETERS TOLERANCES ARE: DECIMALS ANGLES X.X ± 0.25 ± 1° X.XX ± 0.15 | APPROVALS | DATE | Amphenol High Speed Interconnects A Division of Amphenol Corp. www.amphenol-highspeed.com |
| | DRAWN ERIC.Z | AUG.30, 11 | |
| | CHECKED ChigowX | AUG.30, 11 | |
| | QA APPD | | |
| MATERIAL AND FINISH | SEE NOTES | | TITLE |
| REF. X | | | 2XN SFP+ EXPRESSPORT™ COMBO WITH LIGHT PIPE (SPRING FINGER GASKET) |
| CODE IDENT. NO. 03554 | DWG APP'D J.SI | AUG.30, 11 | SIZE A4 DWG. NO. P-UE86-DX627-X0XX1 REV. B |
| | | | SCALE 3:2 PROJECT SHEET 8 OF 8 |

Компания «Океан Электроники» предлагает заключение долгосрочных отношений при поставках импортных электронных компонентов на взаимовыгодных условиях!

Наши преимущества:

- Поставка оригинальных импортных электронных компонентов напрямую с производств Америки, Европы и Азии, а так же с крупнейших складов мира;
- Широкая линейка поставок активных и пассивных импортных электронных компонентов (более 30 млн. наименований);
- Поставка сложных, дефицитных, либо снятых с производства позиций;
- Оперативные сроки поставки под заказ (от 5 рабочих дней);
- Экспресс доставка в любую точку России;
- Помощь Конструкторского Отдела и консультации квалифицированных инженеров;
- Техническая поддержка проекта, помощь в подборе аналогов, поставка прототипов;
- Поставка электронных компонентов под контролем ВП;
- Система менеджмента качества сертифицирована по Международному стандарту ISO 9001;
- При необходимости вся продукция военного и аэрокосмического назначения проходит испытания и сертификацию в лаборатории (по согласованию с заказчиком);
- Поставка специализированных компонентов военного и аэрокосмического уровня качества (Xilinx, Altera, Analog Devices, Intersil, Interpoint, Microsemi, Actel, Aeroflex, Peregrine, VPT, Syfer, Eurofarad, Texas Instruments, MS Kennedy, Miteq, Cobham, E2V, MA-COM, Hittite, Mini-Circuits, General Dynamics и др.);

Компания «Океан Электроники» является официальным дистрибьютором и эксклюзивным представителем в России одного из крупнейших производителей разъемов военного и аэрокосмического назначения «JONHON», а так же официальным дистрибьютором и эксклюзивным представителем в России производителя высокотехнологичных и надежных решений для передачи СВЧ сигналов «FORSTAR».



JONHON

«JONHON» (основан в 1970 г.)

Разъемы специального, военного и аэрокосмического назначения:

(Применяются в военной, авиационной, аэрокосмической, морской, железнодорожной, горно- и нефтедобывающей отраслях промышленности)

«FORSTAR» (основан в 1998 г.)

ВЧ соединители, коаксиальные кабели,
кабельные сборки и микроволновые компоненты:

(Применяются в телекоммуникациях гражданского и специального назначения, в средствах связи, РЛС, а так же военной, авиационной и аэрокосмической отраслях промышленности).



Телефон: 8 (812) 309-75-97 (многоканальный)

Факс: 8 (812) 320-03-32

Электронная почта: ocean@oceanchips.ru

Web: <http://oceanchips.ru/>

Адрес: 198099, г. Санкт-Петербург, ул. Калинина, д. 2, корп. 4, лит. А