

MAX13335E/MAX13336E

Dual Automotive Differential Audio Receivers with I²C Control and Diagnostics

General Description

The MAX13335E/MAX13336E are high-fidelity stereo audio input amplifiers designed for automotive applications requiring audio-level detection and/or jack sensing capability.

The devices feature a dual-channel, low-noise, programmable gain amplifier that accepts fully differential and quasi-differential input signals with diagnostics capability controlled through an I²C interface. The devices' audio receiver can also pair with the MAX13325/MAX13326 audio transmitter to form a complete differential audio link in automotive systems.

Each channel of the device features high common-mode rejection ratio (CMRR) (80dB), enabling the recovery of audio signals in the presence of large common-mode noise in automotive environments. An integrated programmable gain amplifier is adjustable from -14dB to +16dB (MAX13335E) and -22dB to +8dB (MAX13336E) with zero-crossing detection to provide an optimum output-signal level and limit zip noise. The external flexible diagnostic inputs can be configured to perform jack sense functions or to detect short-to-battery, short-to-ground, open load, and shorts between channels.

The audio inputs are protected against ISO 10605 ±15kV Air Gap and ±8kV Contact Discharge ESD pulses. Both devices have a -40°C to +105°C operating temperature range, and are available in a 16-pin QSOP package.

Features

- ◆ +3.3V or +5V Operation
- ◆ +28V to -16V Tolerant Inputs
- ◆ Wide Common-Mode Input Range (-5V to +11.5V)
- ◆ Fully Differential Inputs Up to 7V_{RMS}
- ◆ Quasi-Differential Inputs Up to 3.5V_{RMS}
- ◆ Audio Presence Detection
- ◆ Jack Sense Detection
- ◆ Diagnostic Capability
- ◆ Programmable Gain with Zero-Crossing Detection
- ◆ I²C Control Interface
- ◆ Automotive Grade ESD Protection
 - ◇ ISO 10605 ±15kV Air Gap
 - ◇ ±8kV Contact Discharge

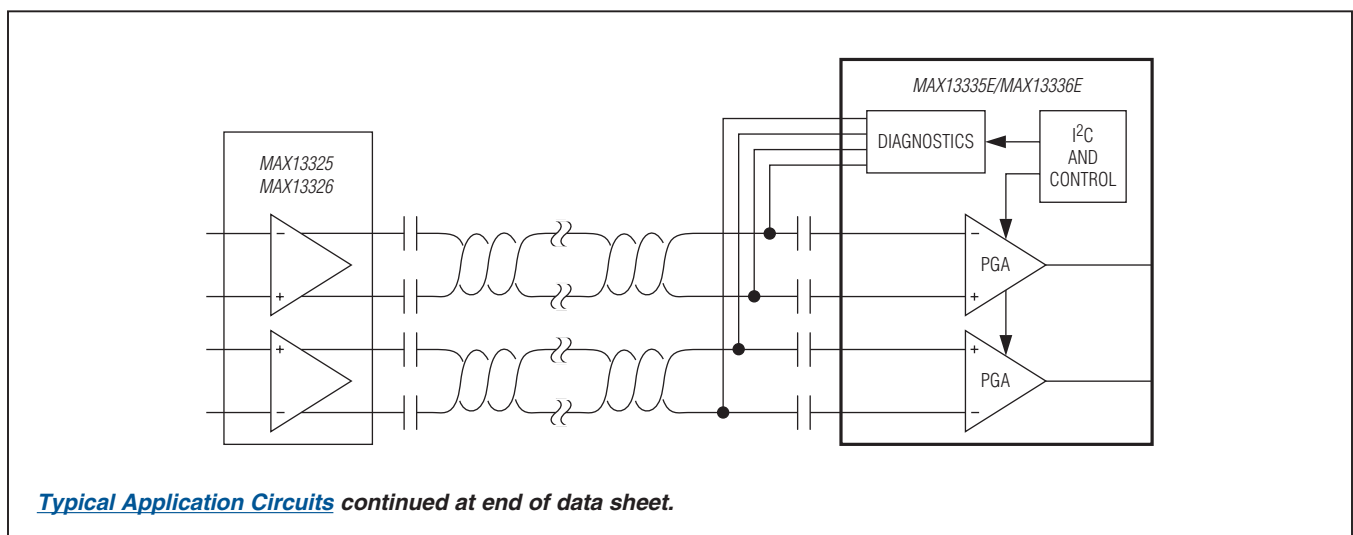
Applications

Radio Head Units
RSA/RSE
Connectivity Modules
Automotive Telematics

Ordering Information appears at end of data sheet.

For related parts and recommended products to use with this part, refer to www.maxim-ic.com/MAX13335E.related.

Typical Application Circuits



Typical Application Circuits continued at end of data sheet.

MAX13335E/MAX13336E

Dual Automotive Differential Audio Receivers with I²C Control and Diagnostics

ABSOLUTE MAXIMUM RATINGS

V _{DD} to GND.....	-0.3V to +6V	Continuous Power Dissipation (T _A = +70°C)
D ₋ to GND.....	-16V to +28V	QSOP (derate 9.6 mW/°C above +70°C).....
INL ₋ , INR ₋ to GND.....	-10V to +15V	Operating Junction Temperature Range
OUTR, OUTL to GND.....	-0.3V to (V _{DD} + 0.3V)	Storage Temperature Range.....
SDA, SCL, INT to GND.....	-0.3V to +6V	Lead Temperature (soldering, 10s)
REF to GND.....	-0.3V to (V _{DD} + 0.3V)	Soldering Temperature (reflow)
Output Short-Circuit Duration.....	Continuous	

Stresses beyond those listed under “Absolute Maximum Ratings” may cause permanent damage to the device. These are stress ratings only, and functional operation of the device at these or any other conditions beyond those indicated in the operational sections of the specifications is not implied. Exposure to absolute maximum rating conditions for extended periods may affect device reliability.

PACKAGE THERMAL CHARACTERISTICS (Note 1)

QSOP

Junction-to-Ambient Thermal Resistance (θ _{JA})	103.7°C/W
Junction-to-Case Thermal Resistance (θ _{JC}).....	37°C/W

Note 1: Package thermal resistances were obtained using the method described in JEDEC specification JESD51-7, using a four-layer board. For detailed information on package thermal considerations, refer to www.maxim-ic.com/thermal-tutorial.

ELECTRICAL CHARACTERISTICS

(V_{DD} = 5V, A_v = -6dB, R_L = 10kΩ, f = 20Hz to 20kHz, T_A = T_J = -40°C to +105°C, unless otherwise noted. Typical values are at T_A = 25°C under normal conditions, unless otherwise noted.) (Note 2)

PARAMETER	SYMBOL	CONDITIONS	MIN	TYP	MAX	UNITS
GENERAL						
Supply-Voltage Range	V _{DD}	V _{REF} = 1.68V	-5%	3.3	+5%	V
		V _{REF} = 2.5V	-5%	5.0	+5%	
Quiescent Supply Current	I _{DD}	V _{INL-} = V _{INR-} = V _{DD} /2		11		mA
Shutdown Supply Current	I _{SHDN}	SHDN bit = 1		6	10	μA
REF Output Voltage	V _{REF}	V _{DD} = 3.3V	-4%	1.68	+4%	V
		V _{DD} = 5V	-3%	2.5	+3%	
Thermal Shutdown	T _{SHDN}	(Note 3)		+150		°C
Thermal Shutdown Hysteresis	T _{HYS}	(Note 3)		15		°C

MAX13335E/MAX13336E

Dual Automotive Differential Audio Receivers with I²C Control and Diagnostics

ELECTRICAL CHARACTERISTICS (continued)

(V_{DD} = 5V, A_V = -6dB, R_L = 10kΩ, f = 20Hz to 20kHz, T_A = T_J = -40°C to +105°C, unless otherwise noted. Typical values are at T_A = 25°C under normal conditions, unless otherwise noted.) (Note 2)

PARAMETER	SYMBOL	CONDITIONS	MIN	TYP	MAX	UNITS
AMPLIFIERS						
Programmable Gain Amp	A _V	G_[3:0] = 0000	MAX13335E		-14	dB
		G_[3:0] = 0001		-12		
		G_[3:0] = 0010		-10		
		G_[3:0] = 0011		-8		
		G_[3:0] = 0100		-6		
		G_[3:0] = 0101		-4		
		G_[3:0] = 0110		-2		
		G_[3:0] = 0111		0		
		G_[3:0] = 1000		2		
		G_[3:0] = 1001		4		
		G_[3:0] = 1010		6		
		G_[3:0] = 1011		8		
		G_[3:0] = 1100		10		
		G_[3:0] = 1101		12		
		G_[3:0] = 1110		14		
		G_[3:0] = 1111		16		
		G_[3:0] = 0000		MAX13336E	-22	
		G_[3:0] = 0001			-20	
		G_[3:0] = 0010			-18	
		G_[3:0] = 0011			-16	
		G_[3:0] = 0100			-14	
		G_[3:0] = 0101			-12	
		G_[3:0] = 0110			-10	
		G_[3:0] = 0111			-8	
		G_[3:0] = 1000			-6	
		G_[3:0] = 1001			-4	
		G_[3:0] = 1010			-2	
		G_[3:0] = 1011			0	
		G_[3:0] = 1100			2	
		G_[3:0] = 1101			4	
		G_[3:0] = 1110			6	
		G_[3:0] = 1111			8	
Gain Error	A _{ERR}	Within V _{CM} operating range		±0.4		dB
Gain Matching	A _{MCH}	Within V _{CM} operating range		±0.4		dB

MAX13335E/MAX13336E

Dual Automotive Differential Audio Receivers with I²C Control and Diagnostics

ELECTRICAL CHARACTERISTICS (continued)

($V_{DD} = 5V$, $A_V = -6dB$, $R_L = 10k\Omega$, $f = 20Hz$ to $20kHz$, $T_A = T_J = -40^\circ C$ to $+105^\circ C$, unless otherwise noted. Typical values are at $T_A = 25^\circ C$ under normal conditions, unless otherwise noted.) (Note 2)

PARAMETER	SYMBOL	CONDITIONS		MIN	TYP	MAX	UNITS
Input Offset Voltage	V_{IOS}	$A_V = 0dB$		-10		+10	mV
Input Impedance	R_{IN}	Differential	MAX13335E	13.5	22	33	k Ω
			MAX13336E	19	30	42	
		Single-ended	MAX13335E	8.5	14	21	
			MAX13336E	11	17	24	
Common-Mode Rejection Ratio	A_{CMRR}	Within V_{CM} range, $f = DC$, $A_V = -2dB$ (Note 4)	MAX13335E	60	80		dB
			$V_{CM} = 2V_{RMS}$, $f = 20Hz$ to $20kHz$ (Note 3)	MAX13335E	60		
		Within V_{CM} range, $f = DC$, $A_V = -10dB$ (Note 4)	MAX13336E	65	85		
			$V_{CM} = 2V_{RMS}$, $f = 20Hz$ to $20kHz$ (Note 3)	MAX13336E	65		
Power-Supply Rejection Ratio	A_{PSRR}	$f = 1kHz$, $V_{RIPPLE} = 200mV_{P-P}$ (Note 3)			-80		dB
Input Voltage Range	V_{IN}	Quasi-differential source, $V_{DD} = 3.3V$	MAX13335E			1.3	V_{RMS}
		Quasi-differential source, $V_{DD} = 5V$				2	
		Differential source, $V_{DD} = 3.3V$				2.6	
		Differential source, $V_{DD} = 5V$				4.0	
		Quasi-differential source, $V_{DD} = 3.3V$	MAX13336E			2.3	
		Quasi-differential source, $V_{DD} = 5V$				3.5	
		Differential source, $V_{DD} = 3.3V$				4.6	
		Differential source, $V_{DD} = 5V$				7.0	
Input Common-Mode Voltage Range	V_{CM}	$V_{DD} = 3.3V$	MAX13335E	-1.2		4.6	V
		$V_{DD} = 5V$		-1.8		7.0	
		$V_{DD} = 3.3V$	MAX13336E	-3.3		7.6	
		$V_{DD} = 5V$		-5.0		11.5	

MAX13335E/MAX13336E

Dual Automotive Differential Audio Receivers with I²C Control and Diagnostics

ELECTRICAL CHARACTERISTICS (continued)

(V_{DD} = 5V, A_V = -6dB, R_L = 10kΩ, f = 20Hz to 20kHz, T_A = T_J = -40°C to +105°C, unless otherwise noted. Typical values are at T_A = 25°C under normal conditions, unless otherwise noted.) (Note 2)

PARAMETER	SYMBOL	CONDITIONS		MIN	TYP	MAX	UNITS
Output Voltage Range	V _{OUT}	R _L = 10kΩ		0.1		V _{DD} - 0.1	V
Total Harmonic Distortion Plus Noise	THD+N	f = 1kHz, V _{OUT_} = 1.4V _{RMS} (Note 3)			0.01		%
Signal-to-Noise Ratio	SNR	V _{OUT_} = 1.4V _{RMS} (Note 3)	MAX13335E		104.8		dB
			MAX13336E		99.4		
Output Noise	V _N	A _V = 0dB, unweighted (Note 3)	MAX13335E		8		μV _{RMS}
			MAX13336E		15		
Slew Rate	SR	C _L = 300pF (Note 3)		0.5			V/μs
Maximum Capacitive Load	C _L	No sustained oscillation (Note 3)			300		pF
Crosstalk	A _{XTALK}	V _{IN} = 2V _{RMS} (Note 3)			-80		dB
Mute Attenuation	A _{MUTE}	MUTE bit = 1, V _{IN} = 2V _{RMS} (Note 3)			-80		dB
Shutdown Attenuation	A _{SHDN}	SHDN bit = 1, V _{IN} = 2V _{RMS} (Note 3)			-80		dB
LEVEL SENSE/CLIP DETECTION							
Audio Presence Threshold	V _{TAP}	Output referred		127	200	268	mV _{RMS}
Clip-Level Warning	V _{TCP}	Positive clip warning level			90		% V _{DD}
	V _{TCN}	Negative clip warning level			10		
DIAGNOSTIC I/O							
Pullup Current Limit	I _{IDH}	V _{D_} = 1.5V	D_[3:0]=0001		40		μA
			D_[3:0]=0010		97		
			D_[3:0]=0011		154		
			D_[3:0]=0100		210		
			D_[3:0]=0101		265		
			D_[3:0]=0110		320		
			D_[3:0]=0111		375		
			D_[3:0]=1000		430		
			D_[3:0]=1001		485		
			D_[3:0]=1010		540		
			D_[3:0]=1011		595		
			D_[3:0]=1100		650		
D_[3:0]=1101		705					
Pulldown Current	I _{IDL}	D_[3:0] = 1110, V _{D_} < V _{CM}			32	65	μA
Trip High Threshold	V _{IDH}	R _{D_} = 1kΩ to 10kΩ			1.94		V
Trip Low Threshold	V _{IDL}	R _{D_} = 1kΩ to 10kΩ			0.92		V
Switch Diode	V _{DON}	D_[3:0] = 1111			0.7		V
Input Resistance	R _{DOFF}	Off-state D_[3:0] = 0000, V _{D_} < V _{CM}		1			MΩ

MAX13335E/MAX13336E

Dual Automotive Differential Audio Receivers with I²C Control and Diagnostics

ELECTRICAL CHARACTERISTICS (continued)

(V_{DD} = 5V, A_V = -6dB, R_L = 10kΩ, f = 20Hz to 20kHz, T_A = T_J = -40°C to +105°C, unless otherwise noted. Typical values are at T_A = 25°C under normal conditions, unless otherwise noted.) (Note 2)

PARAMETER	SYMBOL	CONDITIONS	MIN	TYP	MAX	UNITS
Leakage Current	I _{DLKG}	Off-state D _[3:0] = 0000, V _{D-} < V _{CM}		±10		μA
ESD PROTECTION						
ISO 10605 Air Gap	V _{ESD}	2kΩ/150pF, INL ₋ , INR ₋		±15		kV
Contact Discharge	V _{ESD}	330Ω/330pF, INL ₋ , INR ₋		±8		kV
DIGITAL INTERFACE						
Input Voltage High	V _{INH}	SDA, SCL	0.7 x V _{DD}			V
Input Voltage Low	V _{INL}	SDA, SCL			0.3 x V _{DD}	V
Input Voltage Hysteresis	V _{HYS}	SDA, SCL		0.14 x V _{DD}		mV
I/O Leakage Current	I _{LKG}	SDA, SCL, $\overline{\text{INT}}$		±10		μA
Output Low Voltage	V _{OL}	SDA, $\overline{\text{INT}}$, I _{SINK} = 3mA			0.4	V
EN to Full Operation Time	t _{SON}	C _{REF} = 2.2μF (Note 3)		100		ms
I²C TIMING						
Output Fall Time	t _{OF}	C _{BUS} = 10pF to 400pF			250	ns
Pin Capacitance	C _{IN}				10	pF
Clock Frequency	f _{SCL}				400	kHz
SCL Low Time	t _{LOW}		1.3			μs
SCL High Time	t _{HIGH}		0.6			μs
START Condition Hold Time	t _{HD:STA}	Repeated START condition	0.6			μs
START Condition Setup Time	t _{SU:STA}	Repeated START condition	0.6			μs
Data Hold Time	t _{HD:DAT}		0		900	ns
Data Setup Time	t _{SU:DAT}		100			ns
Input Rise Time	t _R	SCL, SDA			300	ns
Input Fall Time	t _F	SCL, SDA			300	ns
STOP Condition Setup Time	t _{SU:STO}		0.6			μs
Bus Free Time	t _{BUF}	Between START and STOP conditions	1.3			μs
Maximum Bus Capacitance	C _{BUS}	Per bus line			400	pF

Note 2: Specifications within minimum and maximum limits are 100% production tested at T_A = +25°C and are guaranteed over the operating temperature range by design and characterization. Actual typical values may vary and are not guaranteed.

Note 3: Guaranteed by bench characterization.

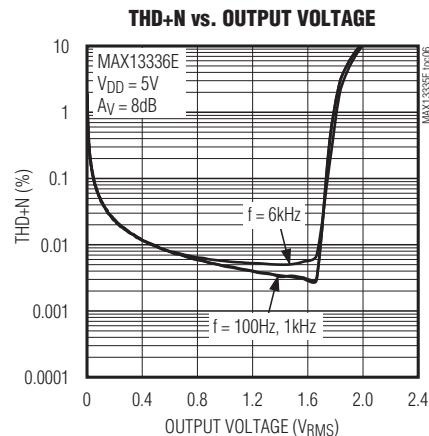
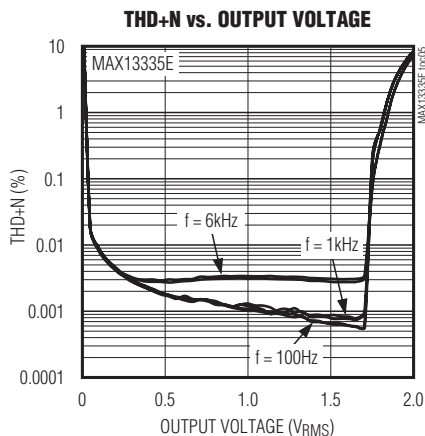
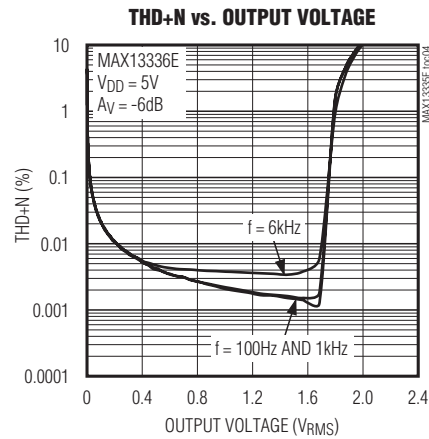
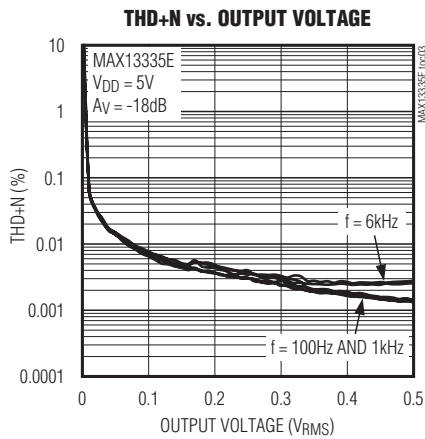
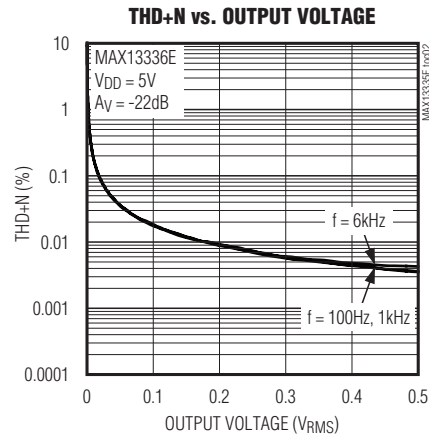
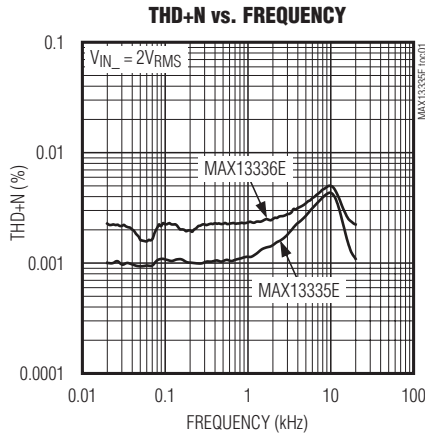
Note 4: A_{CMRR} = 20log(ΔV_{IOS}/ΔV_{CM}).

MAX13335E/MAX13336E

Dual Automotive Differential Audio Receivers with I²C Control and Diagnostics

Typical Operating Characteristics

($V_{DD} = 5V$, $A_V = -6dB$, $R_L = 10k\Omega$, $BW = 20Hz$ to $20kHz$, $T_A = +25^\circ C$, unless otherwise noted.)

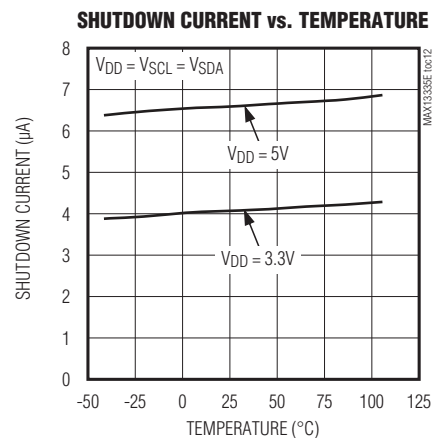
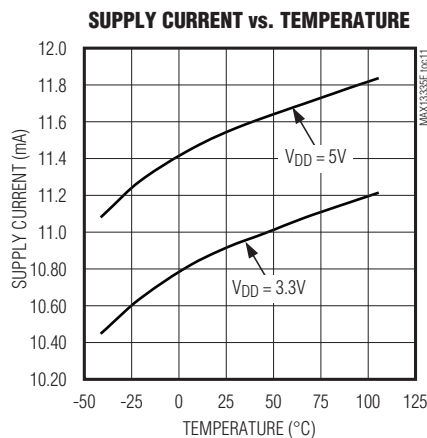
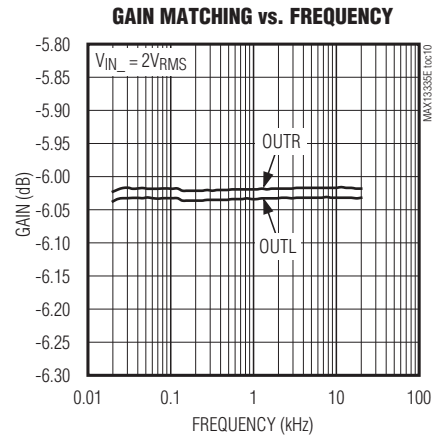
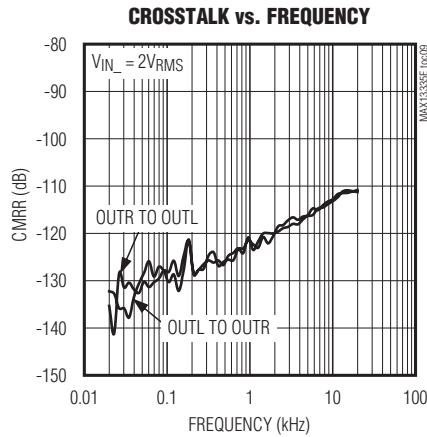
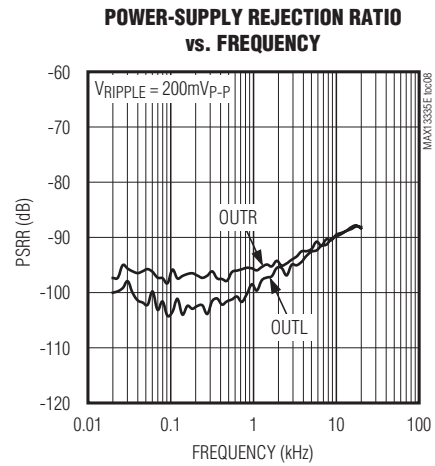
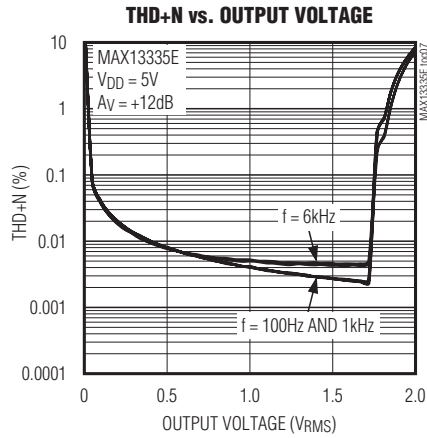


MAX13335E/MAX13336E

Dual Automotive Differential Audio Receivers with I²C Control and Diagnostics

Typical Operating Characteristics (continued)

($V_{DD} = 5V$, $A_V = -6dB$, $R_L = 10k\Omega$, $BW = 20Hz$ to $20kHz$, $T_A = +25^\circ C$, unless otherwise noted.)

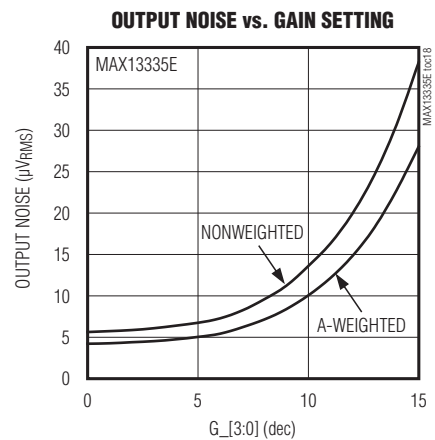
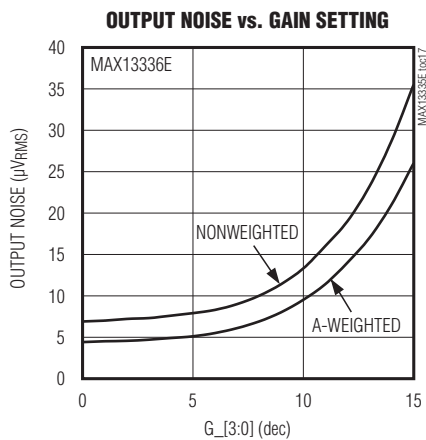
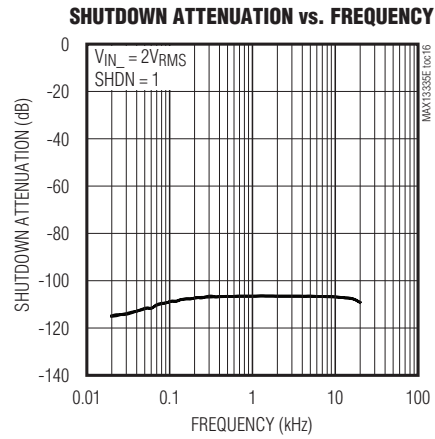
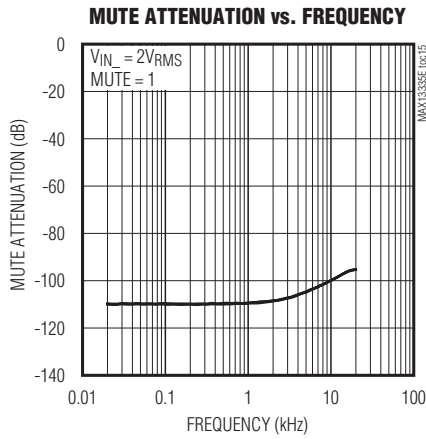
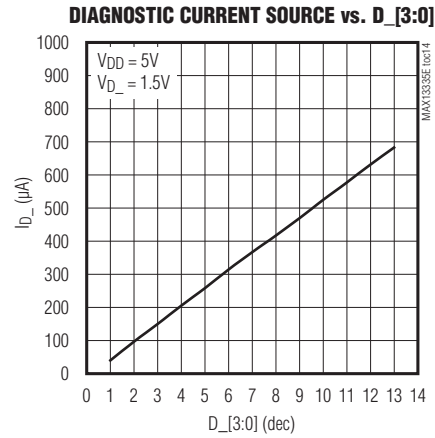
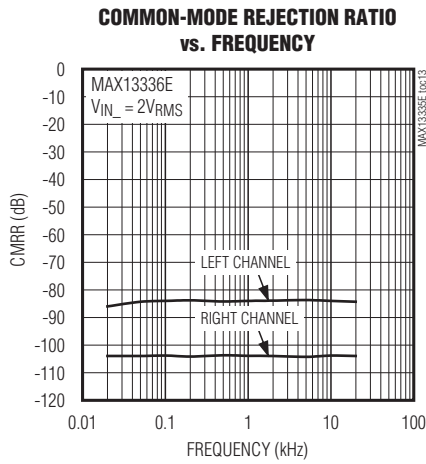


MAX13335E/MAX13336E

Dual Automotive Differential Audio Receivers with I²C Control and Diagnostics

Typical Operating Characteristics (continued)

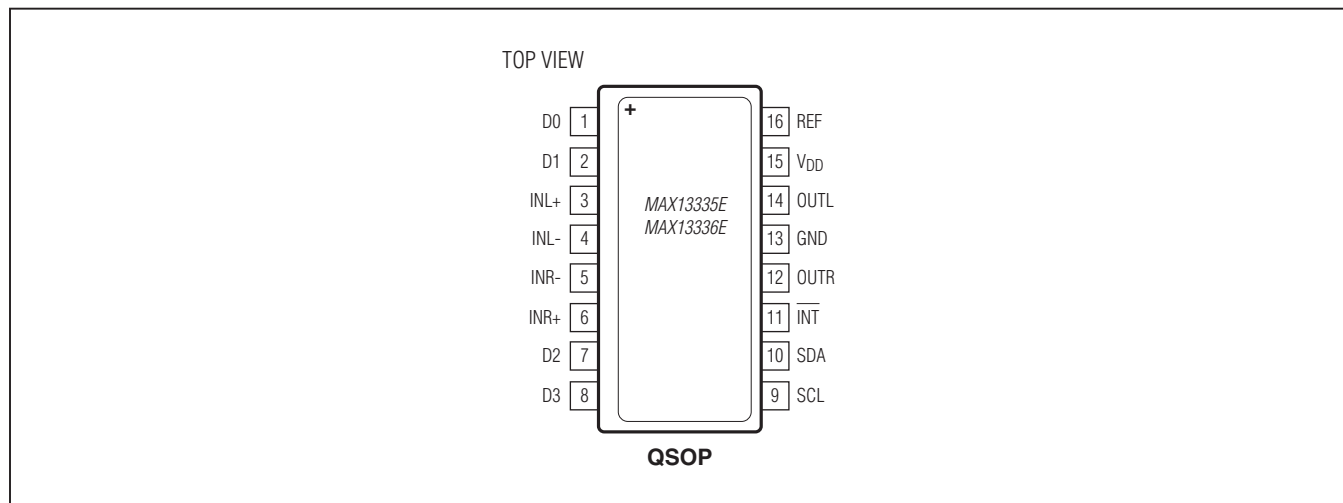
($V_{DD} = 5V$, $A_V = -6dB$, $R_L = 10k\Omega$, $BW = 20Hz$ to $20kHz$, $T_A = +25^\circ C$, unless otherwise noted.)



MAX13335E/MAX13336E

Dual Automotive Differential Audio Receivers with I²C Control and Diagnostics

Pin Configuration



Pin Description

PIN	NAME	FUNCTION
1	D0	Diagnostic I/O 0. I/O pin used for jack sense and diagnostics.
2	D1	Diagnostic I/O 1. I/O pin used for jack sense and diagnostics.
3	INL+	Noninverting Left-Channel Audio Input
4	INL-	Inverting Left-Channel Audio Input
5	INR-	Inverting Right-Channel Audio Input
6	INR+	Noninverting Right-Channel Audio Input
7	D2	Diagnostic I/O 2. I/O pin used for diagnostics.
8	D3	Diagnostic I/O 3. I/O pin used for diagnostics.
9	SCL	I ² C Serial-Clock Input
10	SDA	I ² C Serial-Data Input and Output
11	$\overline{\text{INT}}$	Active-Low, Open-Drain Interrupt Request Output
12	OUTR	Right-Channel Audio Output
13	GND	Ground
14	OUTL	Left-Channel Audio Output
15	V _{DD}	Supply Input
16	REF	V _{DD} /2 Reference Output. Bypass REF to GND with a 2.2 μ F capacitor.

MAX13335E/MAX13336E

Dual Automotive Differential Audio Receivers with I²C Control and Diagnostics

Detailed Description

The MAX13335E/MAX13336E are designed to operate with the MAX13325/MAX13326 dual automotive audio line drivers to form a complete differential audio link in automotive systems. In addition, the MAX13335E/MAX13336E can operate as an auxiliary input audio amplifier with jack sense function.

Signal Path

The devices can be configured to operate with quasi-differential (up to 3.5V_{RMS}) and fully differential (up to 7V_{RMS}) input signals. Both input channels feature high 80dB CMRR (typ). An integrated programmable gain amplifier with zero-crossing detection controlled through the I²C interface provides adjustable gain from -14dB to +16dB (MAX13335E) or -22dB to +8dB (MAX13336E) in +2dB increments. Zero-crossing detection can be enabled to limit the zip noise during a gain transition by delaying the gain change until a zero-crossing event occurs on the input signal.

Interrupt Output

The devices can monitor the inputs for the presence of audio, clip detection, and change-of-state in the jack sense. An active-low, open-drain interrupt request output can be configured through the I²C interface to report the presence of audio, clip detection, and change-of-state in the jack sense. The internal status register also latches the status change of those parameters until an I²C read is performed.

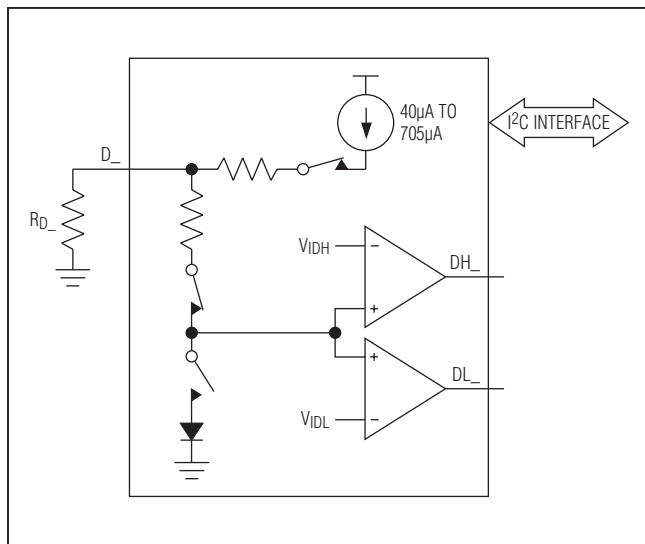


Figure 1. Diagnostic I/O Port

Thermal Shutdown

Thermal shutdown protects the device when the junction temperature exceeds +150°C (typ). The device resumes operation when the junction temperature drops below the thermal shutdown hysteresis of 15°C (typ). The internal status register latches the status change of the TSD bit until an I²C read is performed.

Diagnostics

The devices feature four similar diagnostic I/O ports. When configured correctly, they are capable of performing jack sense detection, short-to-ground, short-to-battery, open-load, and shorts between channels. Each diagnostic I/O port contains a programmable current source, a voltage sense, and a diode to ground.

The principle behind the diagnosis is simply forcing a current into the load attached to the I/O port and sensing the voltage to check if it is greater or smaller than the two predefined low/high thresholds. These can be easily accessed by a microcontroller through the I²C interface.

The procedure usually starts with stepping up the current source from the minimum to maximum range.

- 1) If the sensed voltage is consistently below the low threshold, a short-to-ground event is determined.
- 2) However, if the sensed voltage is consistently above the high threshold, there is a possibility of either a short-to-battery or an open-load event. In order to differentiate between them, the I/O port should be tested again with a voltage-sense-only configuration (i.e., with the current source switched off). If the sensed voltage remains above the high threshold, a short-to-battery event has occurred. Otherwise, an open-load event is detected.
- 3) In some current source range, if the sensed voltage is between the high and low thresholds, this could indicate that the load is present.

A valid readout of the status might require some amount of delays (to be inserted by the microcontroller) due to the settling time needed to charge/discharge any external capacitive load on the I/O port.

The diode is useful in the case of sensing an unconnected load or short between channels. Here, one end of the load can be forced to ground by the diode and the usual procedure described above can be applied to detect various events. It is, however, advisable to test the I/O port for a short-to-battery condition prior to turning on the diode as it could risk damaging the device.

MAX13335E/MAX13336E

Dual Automotive Differential Audio Receivers with I²C Control and Diagnostics

See the [Applications Information](#) section for various examples on how the diagnostic can be set up to detect different events.

Applications Information

Serial Interface

Writing to the device using I²C requires that first the master send a START condition (S) followed by the device's I²C address. After the address, the master sends the address of the register that is to be programmed. The master then ends communication by issuing a STOP condition (P) to relinquish control of the bus, or a repeated START condition (Sr) to communicate to another I²C slave ([Figure 2](#)).

Bit Transfer

Each SCL rising edge transfers one data bit. The data on SDA must remain stable during the high portion of the SCL clock pulse ([Figure 3](#)). Changes in SDA while SCL

is high are read as control signals (see the [START and STOP Conditions](#) section). When the serial interface is inactive, SDA and SCL idle high.

START and STOP Conditions

A master device initiates communication by issuing a START condition (S) which is a high-to-low transition on SDA with SCL high. A START condition from the master signals the beginning of a transmission to the device. The master terminates transmission by a STOP condition (P) (see the [Acknowledge Bit](#) section). A STOP condition is a low-to-high transition on SDA while SCL is high ([Figure 4](#)). The STOP condition frees the bus. If a repeated START condition (Sr) is generated instead of a STOP condition, the bus remains active. When a STOP condition or incorrect slave ID is detected, the device internally disconnects SCL from the serial interface until the next START or repeated START condition, minimizing digital noise and feedthrough.

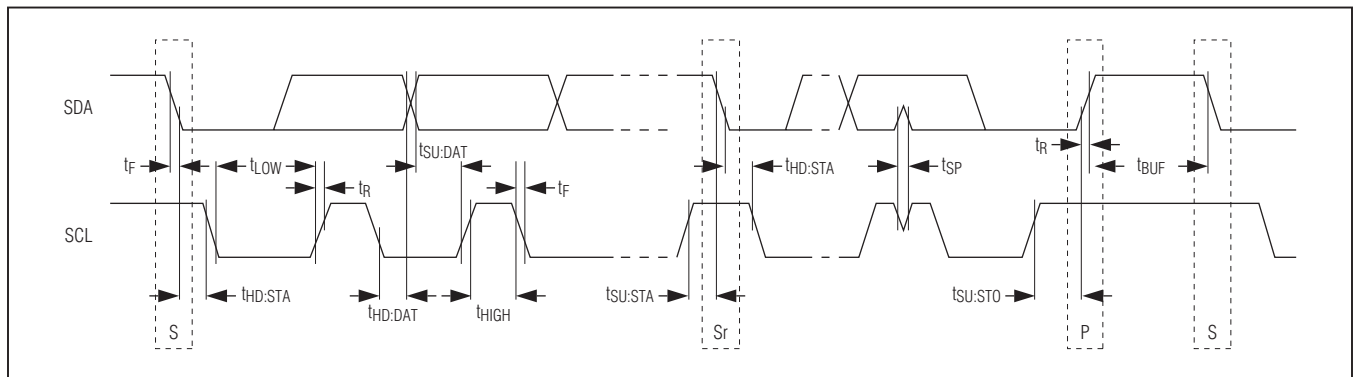


Figure 2. I²C Timing

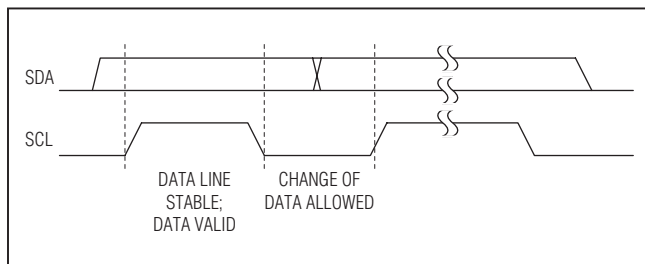


Figure 3. Bit Transfer

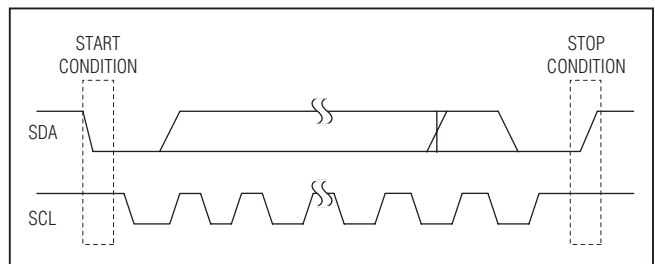


Figure 4. START/STOP Conditions

MAX13335E/MAX13336E

Dual Automotive Differential Audio Receivers with I²C Control and Diagnostics

Acknowledge Bit

The acknowledge bit (ACK) is a clocked 9th bit that the device uses to handshake the receipt of each byte of data when in write mode. The device pulls down SDA during the entire master-generated 9th clock pulse if the previous byte is successfully received (Figure 5). Monitoring ACK allows for detection of unsuccessful data transfers. An unsuccessful data transfer occurs if a receiving device is busy or if a system fault has occurred. In the event of an unsuccessful data transfer, the bus master could retry communication. The master must pull down SDA during the 9th clock cycle to acknowledge receipt of data when the device is in read mode. An acknowledge must be sent by the master after each read byte to allow data transfer to continue.

A not-acknowledge is sent when the master reads the final byte of data from the device, followed by a STOP condition.

Slave Address

The device is programmable to one of the four I²C slave addresses (Table 2). The power-on default I²C slave address of the device for read/write is 0xD0/0xD1 (1101000R/W). The I²C slave address of the device can be selected by writing to Control Register 1 (0x03) while $\overline{\text{INT}}$ is pulled low externally during the I²C write duration (Figure 6).

Single Byte-Write Operation

For a single byte-write operation, send the slave address as the first byte followed by the register address and then a single data byte (Figure 7).

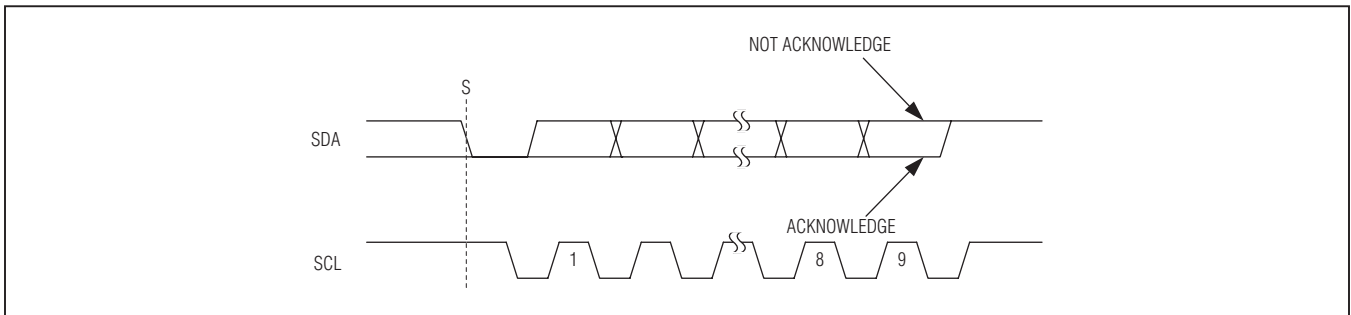


Figure 5. Acknowledge and Not-Acknowledge Bits

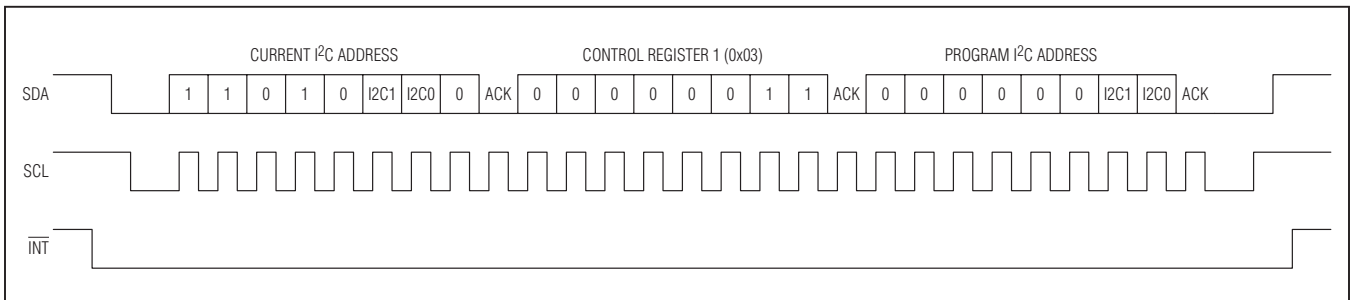


Figure 6. I²C Slave Address Programming

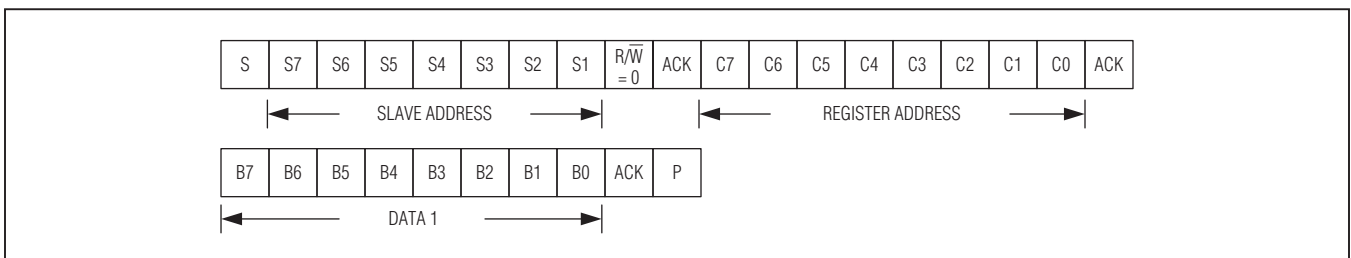


Figure 7. A Single Byte-Write Operation

MAX13335E/MAX13336E

Dual Automotive Differential Audio Receivers with I²C Control and Diagnostics

Burst-Write Operation

For a burst-write operation, send the slave address as the first byte followed by the register address and then the data bytes (Figure 8).

Single Byte-Read Operation

For a single byte-read operation, send the slave address with a write as the first byte followed by the register address. Then send a repeated START condition followed by the slave address with the read bit set. After

the slave sends the data byte, send a not-acknowledge followed by a STOP condition (Figure 9).

Burst-Read Operation

For a burst-read operation, send the slave address with a write as the first byte followed by the register address. Then send a repeated START condition followed by the slave address with the read bit set. The slave sends data bytes until a not-acknowledge condition is sent (Figure 10).

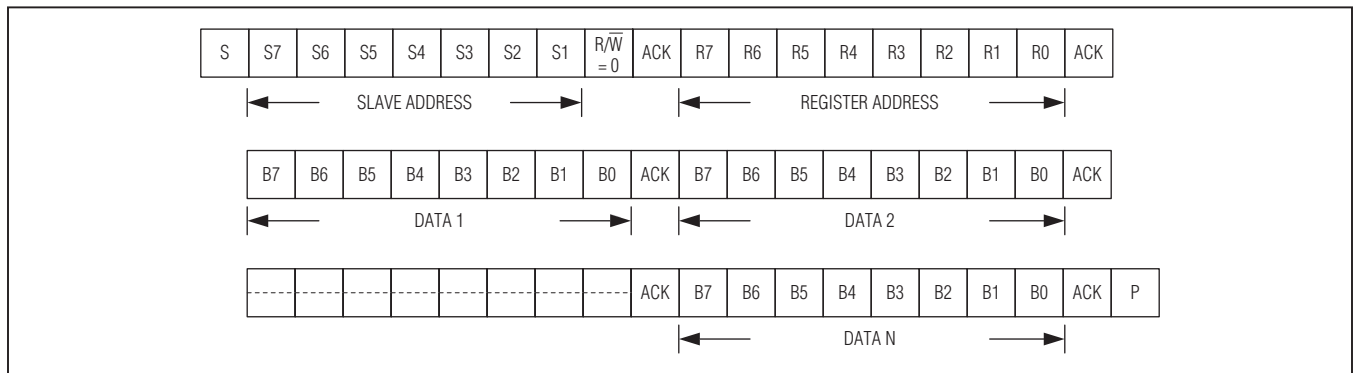


Figure 8. A Burst-Write Operation

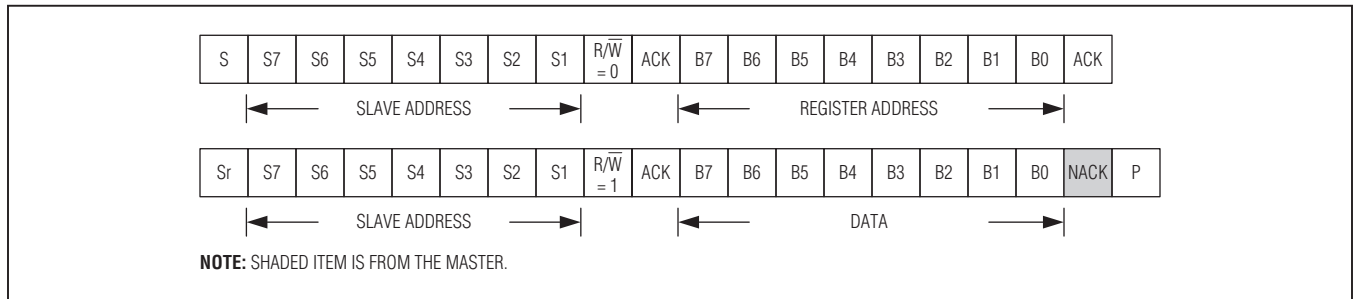


Figure 9. A Single Byte-Read Operation

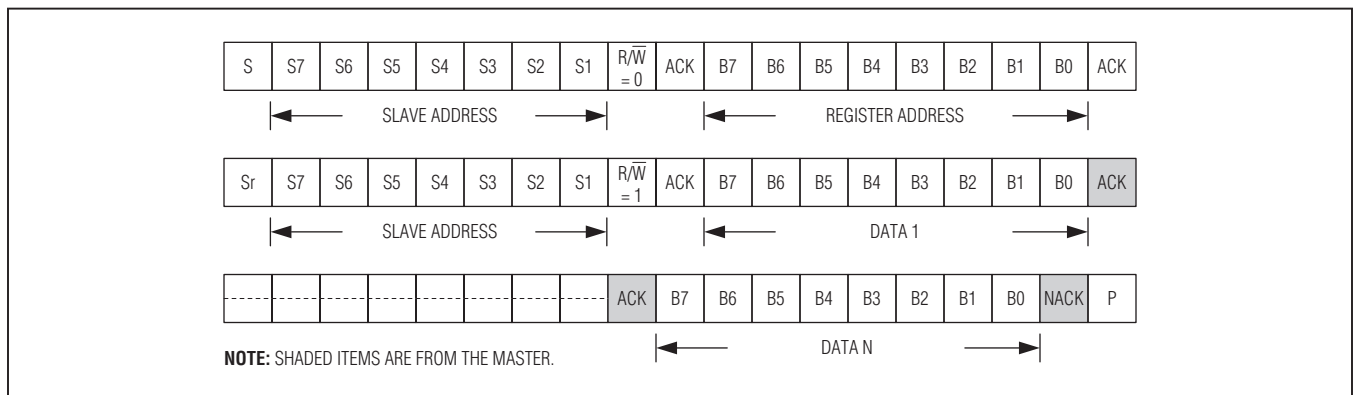


Figure 10. A Burst-Read Operation

MAX13335E/MAX13336E

Dual Automotive Differential Audio Receivers with I²C Control and Diagnostics

Register Map

NAME	REG	BIT 7	BIT 6	BIT 5	BIT 4	BIT 3	BIT 2	BIT 1	BIT 0	R/W	POR SETTINGS
STAT0	00	DH3	DL3	DH2	DL2	DH1	DL1	DH0	DL0	R	0x00
STAT1	01	APD	CLD	JSD	TSD	—	ID2	ID1	ID0	R	0x00
CTRL0	02	API	CLI	JSI	—	—	ZEN	MUTE	SHDN	R/W	0x00
CTRL1	03	—	—	—	—	—	—	I2C1	I2C0	R/W	0x00
DIAG0	04	D1[3]	D1[2]	D1[1]	D1[0]	D0[3]	D0[2]	D0[1]	D0[0]	R/W	0x00
DIAG1	05	D3[3]	D3[2]	D3[1]	D3[0]	D2[3]	D2[2]	D2[1]	D2[0]	R/W	0x00
GAIN	06	GL3	GL2	GL1	GL0	GR3	GR2	GR1	GR0	R/W	0x00

Status Register 0 (STAT0)

ADDRESS: 0x00									
MODE: R									
BIT	7	6	5	4	3	2	1	0	
NAME	DH3	DL3	DH2	DL2	DH1	DL1	DH0	DL0	
POR	0	0	0	0	0	0	0	0	

The bits in Status Register 0 are updated to reflect the states of the upper (DH_) and lower (DL_) comparator's threshold when voltage sensing is enabled for the corresponding diagnostic I/O. Combinations of DH_ and DL_ can be used to decode the fault on the I/O port.

Bits 7, 5, 3, 1: DH_ (Diagnostic Upper Comparator Threshold V_{IDH})

0 = Below upper threshold

1 = Above upper threshold

Bits 6, 4, 2, 0: DL_ (Diagnostic Lower Comparator Threshold V_{IDL})

0 = Below lower threshold

1 = Above lower threshold

Table 1. Interpretation of Diagnostic Status Bits

DH_	DL_	CONDITION
0	0	Short-to-ground (or disabled)
0	1	No fault
1	0	Invalid (not used)
1	1	Short-to-battery if current source is disabled (i.e., D_ _[3:0] = 1110)
1	1	Open-load if current source is enabled (i.e., D_ _[3:0] = 0001 to 1101)

MAX13335E/MAX13336E

Dual Automotive Differential Audio Receivers with I²C Control and Diagnostics

Status Register 1 (STAT1)

ADDRESS: 0x01								
MODE: R								
BIT	7	6	5	4	3	2	1	0
NAME	APD	CLD	JSD	TSD	—	ID2	ID1	ID0
POR	0	0	0	0	0	—	—	—

Bit 7: APD (Audio Presence Status Bit)

0 = Audio not present.

1 = Audio presence detected. $\overline{\text{INT}}$ asserts low.

Bit 6: CLD (Clip Detection Status Bit)

0 = No clipping detected.

1 = Clip warning. $\overline{\text{INT}}$ asserts low.

Bit 5: JSD (Jack Sense Status Bit)

0 = Jack removed. $\overline{\text{INT}}$ asserts low.

1 = Jack inserted. $\overline{\text{INT}}$ asserts low.

Note: $\overline{\text{INT}}$ asserts low whenever jack sense changes state.

Bit 4: TSD (Thermal Shutdown Status Bit)

0 = Within safe operating range.

1 = Overheating detected. $\overline{\text{INT}}$ pin asserts low.

Bit 3: No Function

Bit 2 to 0: ID_ (Die ID)

001 = MAX13335E

010 = MAX13336E

Note: Reading of Status Register 1 (REG = 0x01) releases $\overline{\text{INT}}$ and resets bits APD, CLD, JSD, and TSD back to zero.

MAX13335E/MAX13336E

Dual Automotive Differential Audio Receivers with I²C Control and Diagnostics

Control Register 0 (CTRL0)

ADDRESS: 0x02								
MODE: R/W								
BIT	7	6	5	4	3	2	1	0
NAME	API	CLI	JSI	—	—	ZEN	MUTE	SHDN
POR	0	0	0	0	0	0	0	0

Bit 7: API (Audio Presence Interrupt Enable Bit)

0 = Disable

1 = Enable*

*Bit automatically resets to 0 when an audio presence interrupt occurs.

Bit 6: CLI (Clip Warning Interrupt Enable Bit)

0 = Disable

1 = Enable*

*Bit automatically resets to 0 when a clip warning interrupt occurs.

Bit 5: JSI (Jack Sense Interrupt Enable Bit)

The JSI bit can be set only after D1[3:0] and D0[3:0] in Diagnostic register 0 (DIAG0) has been programmed.

0 = Disable

1 = Enable*

*Bit automatically resets to 0 when a jack sense interrupt occurs.

Bits 4 and 3: No Function (0 should be written during write access.)

Bit 2: ZEN (Zero-Crossing Enable Bit)

Enabling zero-crossing detection loads the new PGA gain settings at the signal zero crossing to avoid zip noise.

0 = Disable

1 = Enable

Bit 1: MUTE (Mute Enable Bite)

0 = Play mode

1 = Mute mode

Bit 0 : SHDN (Shutdown Enable Bit)

0 = Normal mode

1 = Shutdown mode

MAX13335E/MAX13336E

Dual Automotive Differential Audio Receivers with I²C Control and Diagnostics

Control Register 1 (CTRL1)

ADDRESS: 0x03								
MODE: R/W								
BIT	7	6	5	4	3	2	1	0
NAME	—	—	—	—	—	—	I2C1	I2C0
POR	0	0	0	0	0	0	0	0

Bits 7 to 2: No Function (0 should be written during write access.)

Bits 1 and 0: I2C₁

The I2C1 and I2C0 bits determine the I²C slave address of the device. The I²C slave address is changed by writing to CTRL1 while $\overline{\text{INT}}$ is pulled low (e.g., by an external microcontroller) for the duration of the I²C write cycle.

Table 2. I²C Address

A7	A6	A5	A4	A3	A2 (I2C1)	A1 (I2C0)	A0 (R/W)	READ	WRITE
1	1	0	1	0	0	0	—	0xD1	0xD0
1	1	0	1	0	0	1	—	0xD3	0xD2
1	1	0	1	0	1	0	—	0xD5	0xD4
1	1	0	1	0	1	1	—	0xD7	0xD6

Diagnostic Register 0 (DIAG0)

ADDRESS: 0x04								
MODE: R/W								
BIT	7	6	5	4	3	2	1	0
NAME	D1[3]	D1[2]	D1[1]	D1[0]	D0[3]	D0[2]	D0[1]	D0[0]
POR	0	0	0	0	0	0	0	0

MAX13335E/MAX13336E

Dual Automotive Differential Audio Receivers with I²C Control and Diagnostics

Diagnostic Register 1 (DIAG1)

ADDRESS: 0x05								
MODE: R/W								
BIT	7	6	5	4	3	2	1	0
NAME	D3[3]	D3[2]	D3[1]	D3[0]	D2[3]	D2[2]	D2[1]	D2[0]
POR	0	0	0	0	0	0	0	0

The Diagnostic registers, DIAG0 and DIAG1, program the state of the four diagnostic I/O ports D_n. The diagnostic ports can be programmed to operate in one of the four states:

- 1) Setting D_n[3:0] = 0000 disables the corresponding diagnostic I/O.
- 2) Setting D_n[3:0] = 0001 to 1101 enables the internal current source (40μA to 705μA) and voltage sensing. The voltage sensing utilizes a window comparator with an upper threshold of 1.94V and a lower threshold of 0.92V (see the [Diagnostic Configurations](#) section).
- 3) Setting D_n[3:0] = 1110 enables voltage sensing only.
- 4) Setting D_n[3:0] = 1111 enables the internal diode to ground.

Table 3. Diagnostic I/O Port States

D _n [3:0]	FUNCTION
0000	Diagnostic output disabled.
0001	Enables the 40μA current source and voltage sense.
0010	Enables the 97μA current source and voltage sense.
0011	Enables the 154μA current source and voltage sense.
0100	Enables the 210μA current source and voltage sense.
0101	Enables the 265μA current source and voltage sense.
0110	Enables the 320μA current source and voltage sense.
0111	Enables the 375μA current source and voltage sense.
1000	Enables the 430μA current source and voltage sense.
1001	Enables the 485μA current source and voltage sense.
1010	Enables the 540μA current source and voltage sense.
1011	Enables the 595μA current source and voltage sense.
1100	Enables the 650μA current source and voltage sense.
1101	Enables the 705μA current source and voltage sense.
1110	Enable voltage sense. The current source is disabled.
1111	Enables the diode. The current source and voltage sense are disabled.

MAX13335E/MAX13336E

Dual Automotive Differential Audio Receivers with I²C Control and Diagnostics

Gain Register (GAIN)

ADDRESS: 0x06								
MODE: R/W								
BIT	7	6	5	4	3	2	1	0
NAME	GL3	GL2	GL1	GL0	GR3	GR2	GR1	GR0
POR	0	0	0	0	0	0	0	0

Bits 7 to 0: G_

The Gain register sets the gain of the internal programmable gain amplifier (A_V) for the left (GL[3:0]) and right (GR[3:0]) channels. The gain of the programmable gain amplifier (A_V) is determined by the following transfer function:

$$\text{Gain}(A_V) = -14\text{dB} + (G_{[3:0]} \times 2)\text{dB} \text{ (for MAX13335E)}$$

$$\text{Gain}(A_V) = -22\text{dB} + (G_{[3:0]} \times 2)\text{dB} \text{ (for MAX13336E)}$$

Diagnostic Configurations

The device's diagnostics can be configured for local jack sense, remote jack sense, and differential drive connections (see the [Typical Application Circuits](#)). Diagnostic registers DIAG0 and DIAG1 configure the diagnostic I/O ports D_ as a current-source output with voltage sensing enabled, a voltage sensing input, or a diode to GND. When voltage sensing is enabled, the current states of the internal window comparator are updated to status register STAT0. A valid readout of the STAT0 register might require some amount of delays (to be inserted by the microcontroller) between configuring the diagnostic and reading the status register due to the settling time needed to charge/discharge the external capacitive load on the D_ pins.

Local Jack Sense

The device is configured for jack sense function when the jack is localized to the same module. In this application

example, the diagnostic I/O D1 is configured as a 97 μ A current-source output and D0 is configured for voltage sensing. When a plug is not inserted, the internal spring contact of the jack shorts D1 to D0. The 97 μ A current source from D1 pulls D0 to V_{DD} resulting in $DH0 = 1$. When a plug is inserted, the internal spring contact of the jack is forced open and disconnects D1 from D0. This results in D0 going low and hence $DH0 = 0$.

Remote Jack Sense Detection

When the jack is remotely located, the device can be used for additional fault detection of the wiring harness used for the connection. See the [Typical Application Circuits](#).

Differential Connection

For fully differential applications, the device can be configured to detect faults in the wiring harness as shown in the [Typical Application Circuits](#).

Table 4. Local Jack Sense Diagnostic Configuration

CONFIGURATION	FUNCTION	COMPARATOR OUTPUT	STATUS
D1[3:0] = 0010 D0[3:0] = 1110	Source 97 μ A Source off	DH0 = H	Device not plugged in
D1[3:0] = 0010 D0[3:0] = 1110	Source 97 μ A Source off	DH0 = L	Device plugged in

MAX13335E/MAX13336E

Dual Automotive Differential Audio Receivers with I²C Control and Diagnostics

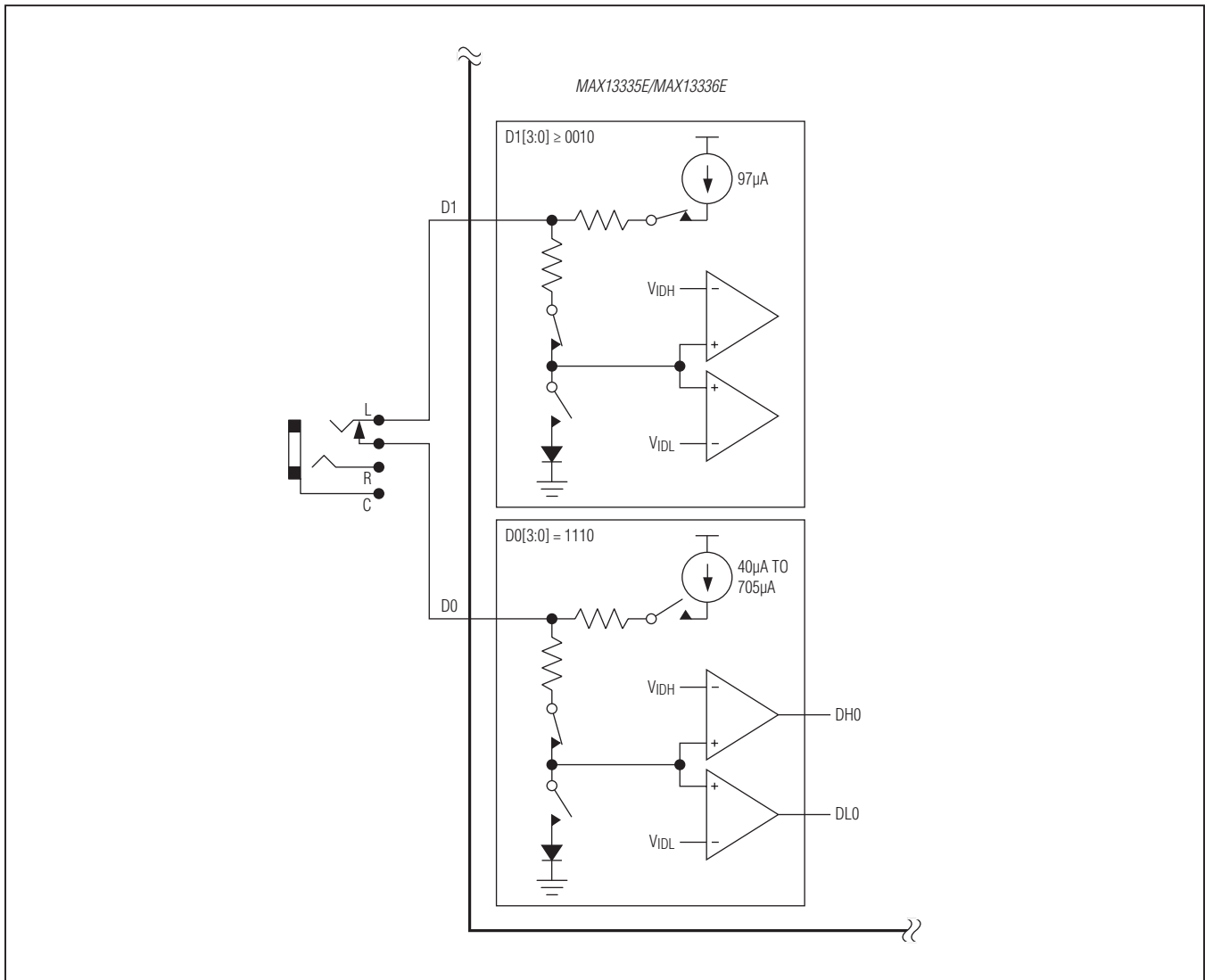


Figure 11. Diagnostic Setup for Local Jack Sense

Audio Presence Detection

When the device is used in an auxiliary input amplifier, it can detect if audio is present at the inputs so the downstream DSP does not have to continuously convert the analog signal to digital in order to monitor the audio stream. This can save two ADC inputs as the auxiliary input can be muxed with another audio stream that is mutually exclusive. To do this, perform the following steps:

- 1) Set the gain in the GAIN register based on the required input audio level where the APD threshold is exceeded. The threshold is set to $200\text{mV}_{\text{RMS}}/\text{G}_{[3:0]}$.
- 2) Set API bit in the CTRL0 register to enable the APD interrupt.

When the input audio level exceeds $200\text{mV}_{\text{RMS}}/\text{G}_{[3:0]}$ the INT pin is asserted. The microcontroller can read back the STAT0 register to check for APD = 1.

MAX13335E/MAX13336E

Dual Automotive Differential Audio Receivers with I²C Control and Diagnostics

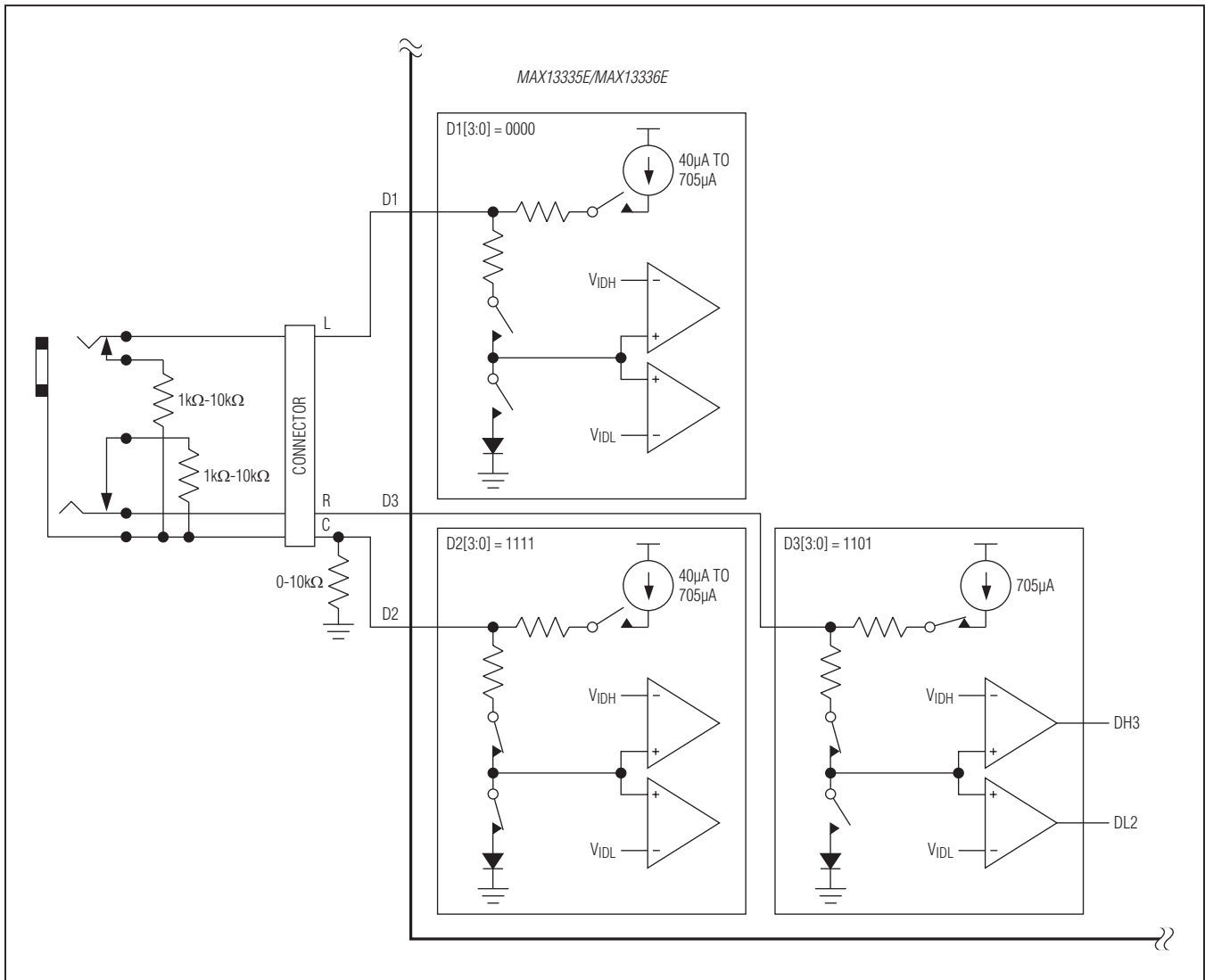


Figure 12. Diagnostic Setup for Remote Jack Sense

Low-Power Standby with Jack Sense

When the device is used as an auxiliary amplifier, there is the option to put the device into a low-power standby mode while waiting for a plug to be inserted into the jack. To do this, perform the following steps:

- 1) Connect D0 to the R (or L) of the jack.
- 2) Connect R_{SENSE} (or L_{SENSE}) of the jack with a 50 Ω resistor to ground.

- 3) Set the SHDN bit to 1 in the CTRL0 register to power down the amplifier.
- 4) Set D0[3:0] = 0001 to source 40 μ A out of the D0 pin.
- 5) Enable the JSI bit in the CTRL0 register.

When a plug is inserted, the DH0 comparator trips and subsequently asserts the interrupt $\overline{\text{INT}}$ pin. The microcontroller can read back the STAT0 register to check for DH0 = 1 and follow up by setting SHDN to 0.

In the standby state, the typical current consumption is reduced to 290 μ A.

MAX13335E/MAX13336E

Dual Automotive Differential Audio Receivers with I²C Control and Diagnostics

ESD Guide

For maximum protection against IEC 61000-4-2 and ISO 10605 ESD pulses, a 1k Ω or larger resistor is recommended on every diagnostic D_n pin before the input AC-coupling capacitor. Additionally, a suitable ESD diode must be connected from the DC-blocking ceramic capacitor to ground. The ESD diode can be connected

on either side of the DC-blocking capacitor; however, depending on application requirements, the IC side may allow for a lower clamping voltage, which results in a smaller ESD device. If the input source is always DC biased to $V_{BAT}/2$, then a unidirectional ESD device can be used when clamping on the input side of the DC-blocking capacitor. See [Figure 13](#).

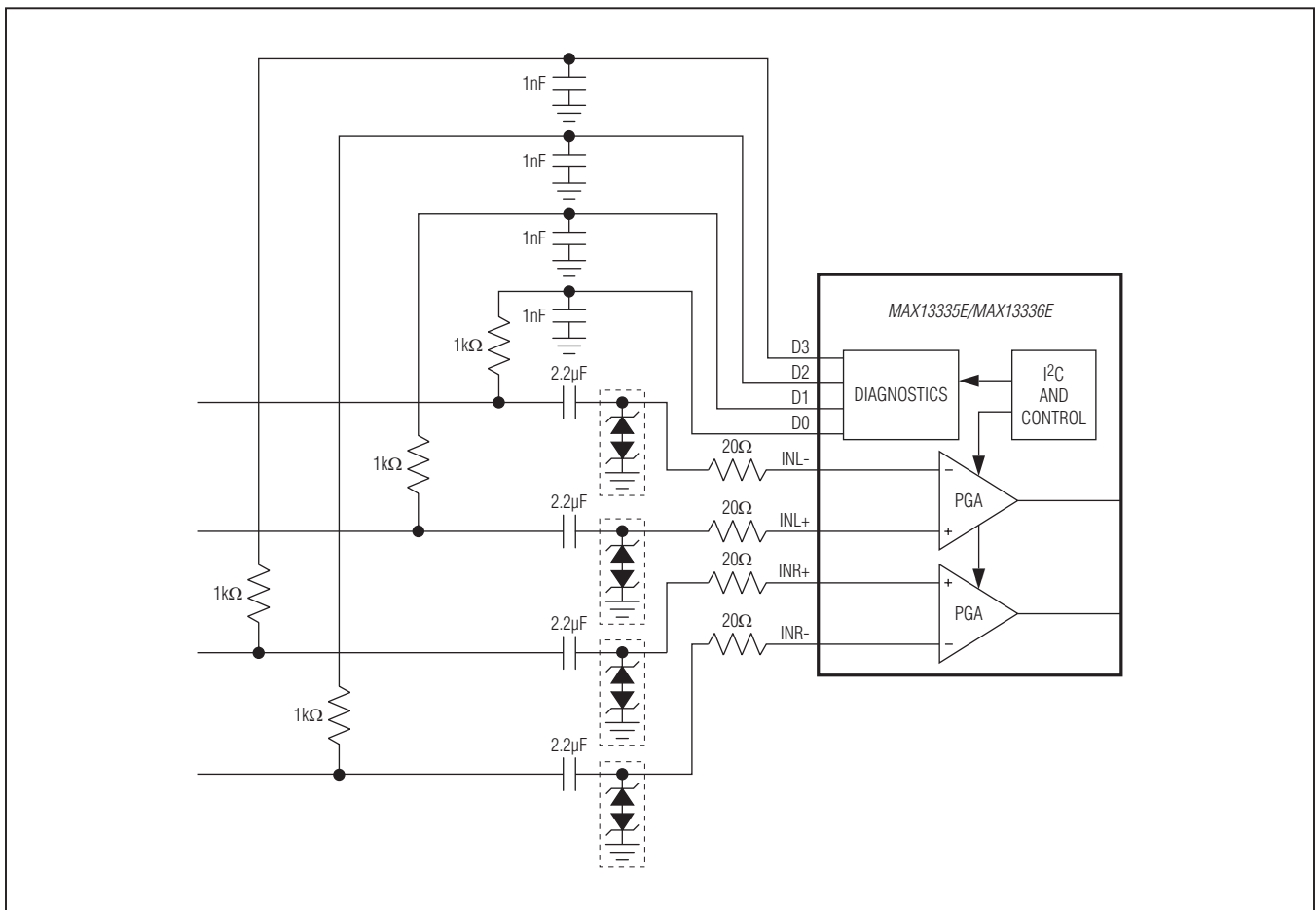
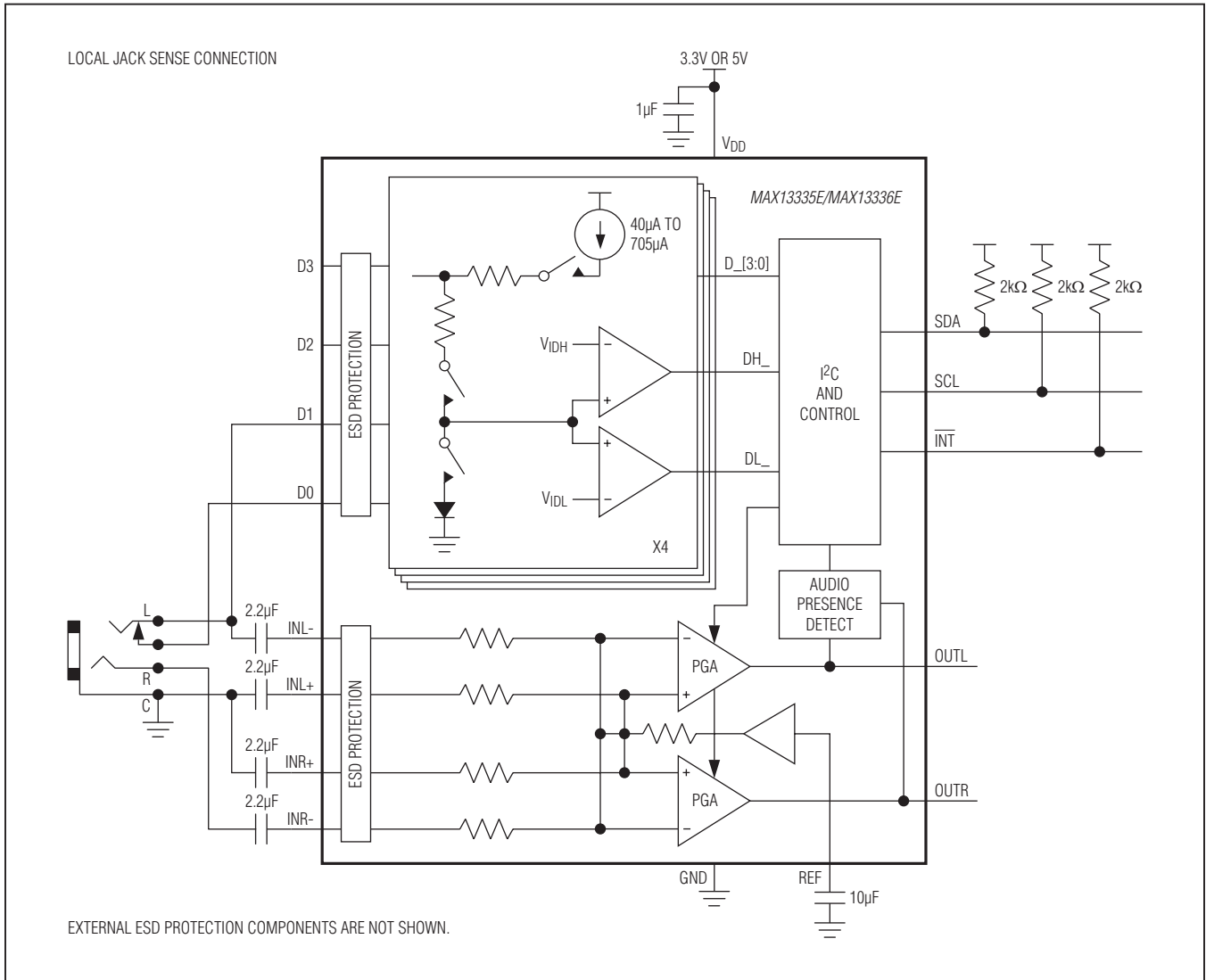


Figure 13. ESD Protection Technique Against IEC 61000-4-2 and ISO 10605 Pulses

MAX13335E/MAX13336E

Dual Automotive Differential Audio Receivers with I²C Control and Diagnostics

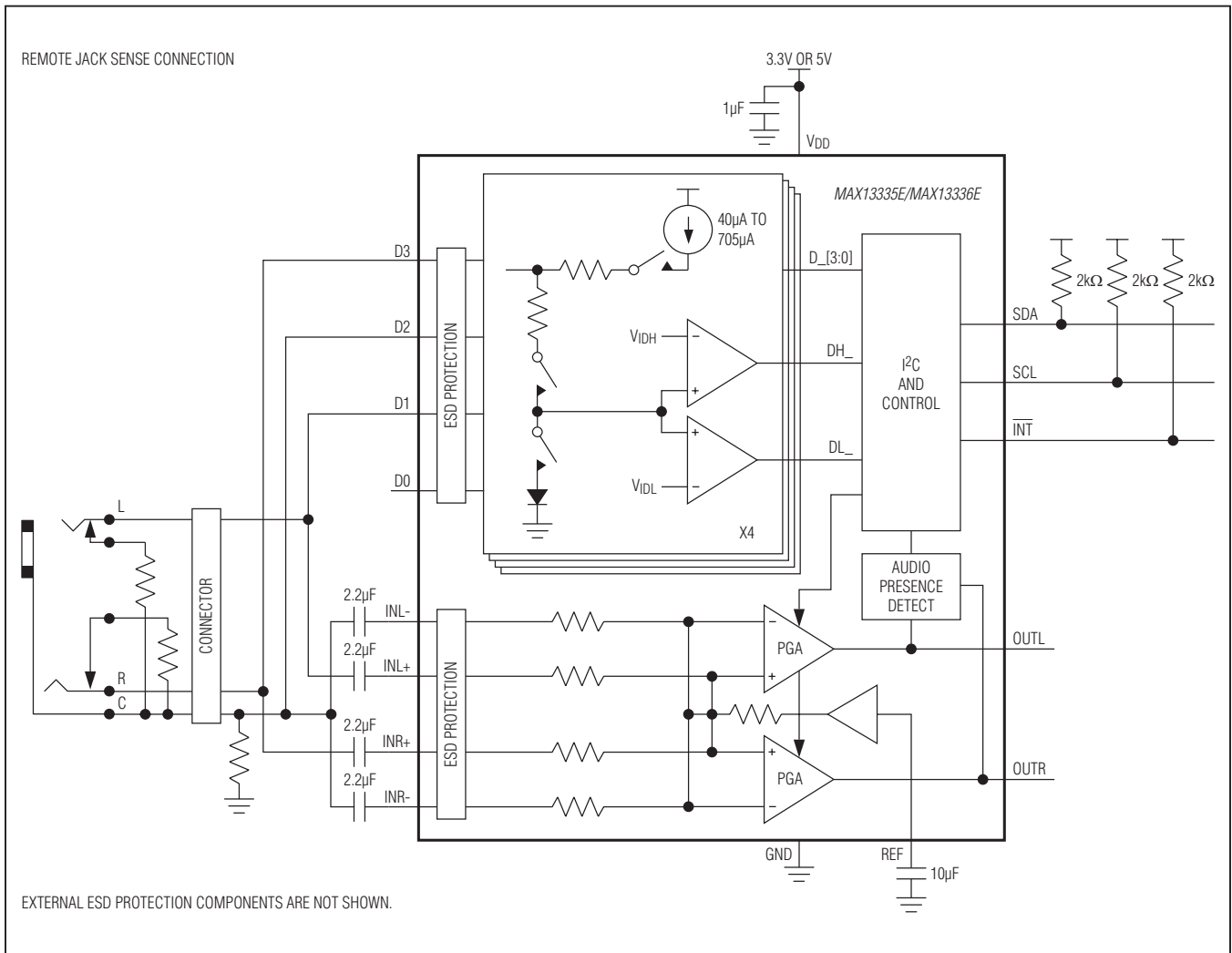
Typical Application Circuits (continued)



MAX13335E/MAX13336E

Dual Automotive Differential Audio Receivers with I²C Control and Diagnostics

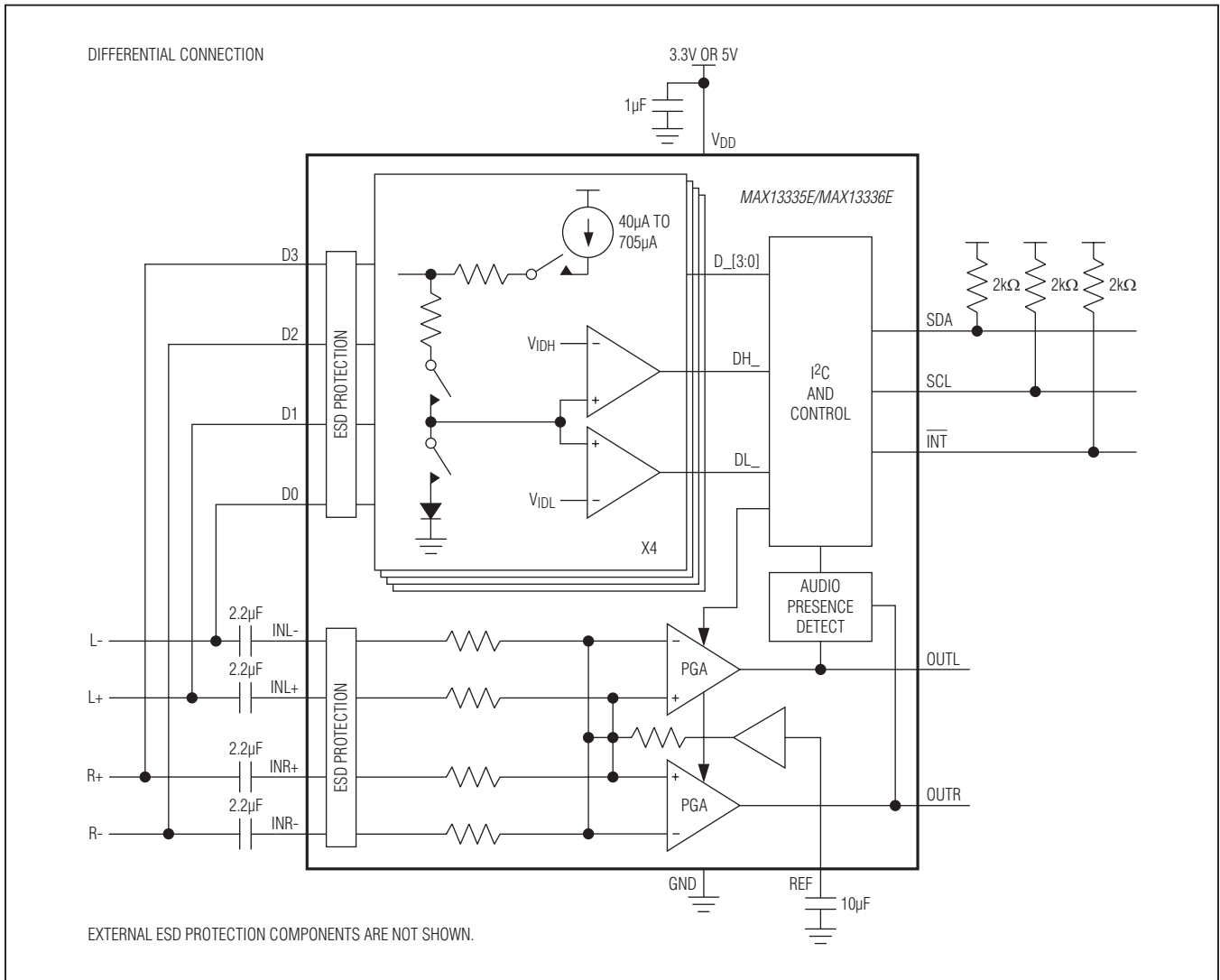
Typical Application Circuits (continued)



MAX13335E/MAX13336E

Dual Automotive Differential Audio Receivers with I²C Control and Diagnostics

Typical Application Circuits (continued)



MAX13335E/MAX13336E

Dual Automotive Differential Audio Receivers with I²C Control and Diagnostics

Ordering Information

PART	TEMP RANGE	GAIN RANGE (dB)	OPTIONS	PIN-PACKAGE
MAX13335E GEE/V+	-40°C to +105°C	-14 to +16	Differential V _{IN} up to 4V _{RMS} ; quasi-differential V _{IN} up to 2V _{RMS}	16 QSOP
MAX13336E GEE/V+	-40°C to +105°C	-22 to +8	Differential V _{IN} up to 7V _{RMS} ; quasi-differential V _{IN} up to 3.5V _{RMS}	16 QSOP

V denotes an automotive qualified part.

+Denotes a lead(Pb)-free/RoHS-compliant package.

Chip Information

PROCESS: BCD

Package Information

For the latest package outline information and land patterns (footprints), go to www.maxim-ic.com/packages. Note that a "+", "#", or "-" in the package code indicates RoHS status only. Package drawings may show a different suffix character, but the drawing pertains to the package regardless of RoHS status.

PACKAGE TYPE	PACKAGE CODE	OUTLINE NO.	LAND PATTERN NO.
16 QSOP	E16+1	21-0055	90-0167

MAX13335E/MAX13336E

Dual Automotive Differential Audio Receivers with I²C Control and Diagnostics

Revision History

REVISION NUMBER	REVISION DATE	DESCRIPTION	PAGES CHANGED
0	1/12	Initial release	—
1	7/12	Corrected the read operation procedure in the <i>Single Byte-Read Operation</i> and <i>Burst-Read Operation</i> sections	14

Maxim cannot assume responsibility for use of any circuitry other than circuitry entirely embodied in a Maxim product. No circuit patent licenses are implied. Maxim reserves the right to change the circuitry and specifications without notice at any time. The parametric values (min and max limits) shown in the Electrical Characteristics table are guaranteed. Other parametric values quoted in this data sheet are provided for guidance.

Maxim Integrated Products, Inc. 160 Rio Robles, San Jose, CA 95134 USA 1-408-601-1000 _____ 28

Компания «Океан Электроники» предлагает заключение долгосрочных отношений при поставках импортных электронных компонентов на взаимовыгодных условиях!

Наши преимущества:

- Поставка оригинальных импортных электронных компонентов напрямую с производств Америки, Европы и Азии, а так же с крупнейших складов мира;
- Широкая линейка поставок активных и пассивных импортных электронных компонентов (более 30 млн. наименований);
- Поставка сложных, дефицитных, либо снятых с производства позиций;
- Оперативные сроки поставки под заказ (от 5 рабочих дней);
- Экспресс доставка в любую точку России;
- Помощь Конструкторского Отдела и консультации квалифицированных инженеров;
- Техническая поддержка проекта, помощь в подборе аналогов, поставка прототипов;
- Поставка электронных компонентов под контролем ВП;
- Система менеджмента качества сертифицирована по Международному стандарту ISO 9001;
- При необходимости вся продукция военного и аэрокосмического назначения проходит испытания и сертификацию в лаборатории (по согласованию с заказчиком);
- Поставка специализированных компонентов военного и аэрокосмического уровня качества (Xilinx, Altera, Analog Devices, Intersil, Interpoint, Microsemi, Actel, Aeroflex, Peregrine, VPT, Syfer, Eurofarad, Texas Instruments, MS Kennedy, Miteq, Cobham, E2V, MA-COM, Hittite, Mini-Circuits, General Dynamics и др.);

Компания «Океан Электроники» является официальным дистрибьютором и эксклюзивным представителем в России одного из крупнейших производителей разъемов военного и аэрокосмического назначения «**JONHON**», а так же официальным дистрибьютором и эксклюзивным представителем в России производителя высокотехнологичных и надежных решений для передачи СВЧ сигналов «**FORSTAR**».



JONHON

«**JONHON**» (основан в 1970 г.)

Разъемы специального, военного и аэрокосмического назначения:

(Применяются в военной, авиационной, аэрокосмической, морской, железнодорожной, горно- и нефтедобывающей отраслях промышленности)

«**FORSTAR**» (основан в 1998 г.)

ВЧ соединители, коаксиальные кабели, кабельные сборки и микроволновые компоненты:

(Применяются в телекоммуникациях гражданского и специального назначения, в средствах связи, РЛС, а так же военной, авиационной и аэрокосмической отраслях промышленности).



Телефон: 8 (812) 309-75-97 (многоканальный)

Факс: 8 (812) 320-03-32

Электронная почта: ocean@oceanchips.ru

Web: <http://oceanchips.ru/>

Адрес: 198099, г. Санкт-Петербург, ул. Калинина, д. 2, корп. 4, лит. А