

### General Description

The MIC38HC4x family are fixed frequency current-mode PWM controllers with 1A drive current capability. Micrel's BiCMOS devices are pin-compatible with 384x bipolar devices. Their high output drive, with fast rise and fall times, combined with low startup current make it an ideal PWM controller where high efficiency is required.

Undervoltage lockout circuitry allows the '42 and '44 versions to start up at 14.5V and operate down to 9V, and the '43 and '45 versions start at 8.4V with operation down to 7.6V. All versions operate up to 20V.

When compared to bipolar UC384x devices operating from a 15V supply, start-up current has been reduced to 50µA typical and operating current has been reduced to 4.0 mA typical. Decreased output rise and fall times drive larger MOSFETs, and rail-to-rail output capability increases efficiency, especially at lower supply voltages. The MIC38HC4x also features a trimmed oscillator discharge current and bandgap reference.

MIC38HC4x-1 is available in 14-pin plastic DIP and SOIC packages. 8-pin devices feature small size, while 14-pin devices separate the analog and power connections for improved performance and power dissipation.

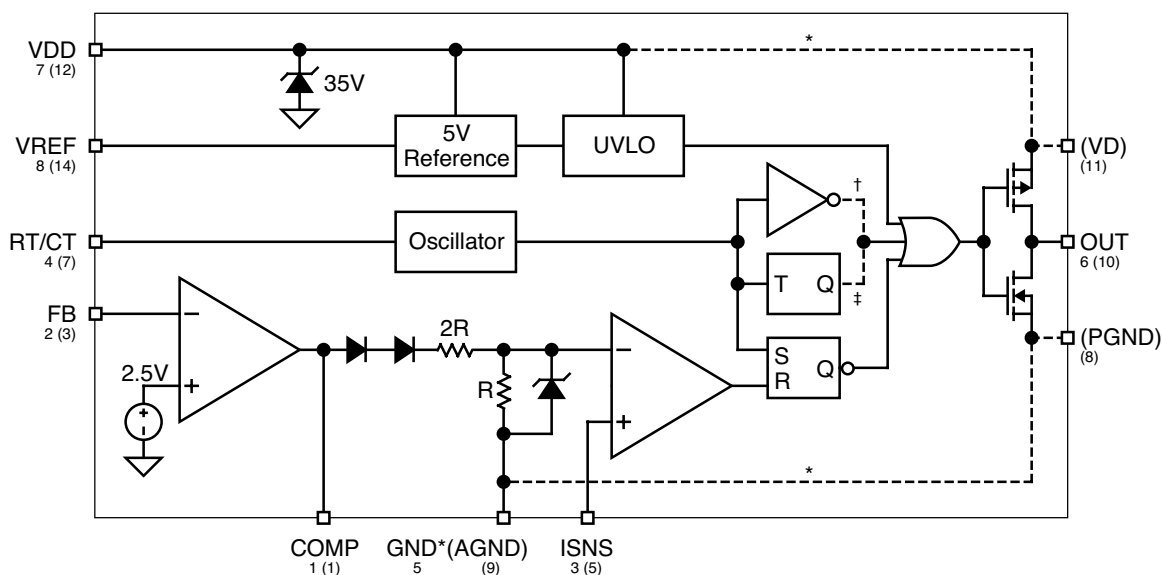
### Features

- Fast 20ns output rise and 15ns output fall times
- -40°C to +85°C temperature range exceeds UC284x specifications
- High-performance, low-power BiCMOS Process
- Ultralow start-up current (50µA typical)
- Low operating current (4mA typical)
- High output drive (1A peak current, HC version)
- CMOS outputs with rail-to-rail swing
- Current-mode operation up to 500kHz
- Trimmed 5V bandgap reference
- Pin-for-pin compatible with UC3842/3843/3844/3845(A)
- Trimmed oscillator discharge current
- UVLO with hysteresis
- Low cross-conduction currents

### Applications

- Current-mode, off-line, switched-mode power supplies
- Current-mode, dc-to-dc converters.
- Step-down "buck" regulators
- Step-up "boost" regulators
- Flyback, isolated regulators
- Forward converters
- Synchronous FET converters

### Functional Diagram



( ) pins are on MIC38HC4x-1 (14-lead) versions only

\* MIC38HC4x (8-lead) versions only

† MIC38HC42, MIC38HC43 (96% max. duty cycle) versions only

‡ MIC38HC44, MIC38HC45 (50% max. duty cycle) versions only

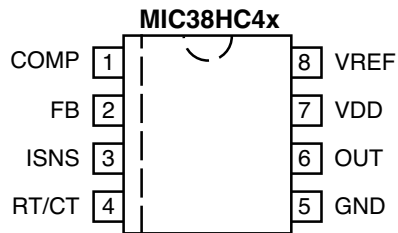
## Ordering Information

| Part Number   |                 | Junction<br>Temp. Range | Package            |
|---------------|-----------------|-------------------------|--------------------|
| Standard      | Pb-Free         |                         |                    |
| MIC38HC42BN   | MIC38HC42YN     | -40°C to +85°C          | 8-pin Plastic DIP  |
| MIC38HC43BN   | MIC38HC43YN     | -40°C to +85°C          | 8-pin Plastic DIP  |
| MIC38HC44BN   | MIC38HC44YN     | -40°C to +85°C          | 8-pin Plastic DIP  |
| MIC38HC45BN   | MIC38HC45YN     | -40°C to +85°C          | 8-pin Plastic DIP  |
| MIC38HC42-1BN | Contact Factory | -40°C to +85°C          | 14-pin Plastic DIP |
| MIC38HC43-1BN | Contact Factory | -40°C to +85°C          | 14-pin Plastic DIP |
| MIC38HC44-1BN | Contact Factory | -40°C to +85°C          | 14-pin Plastic DIP |
| MIC38HC45-1BN | Contact Factory | -40°C to +85°C          | 14-pin Plastic DIP |
| MIC38HC42BM   | MIC38HC42YM     | -40°C to +85°C          | 8-pin SOIC         |
| MIC38HC43BM   | MIC38HC43YM     | -40°C to +85°C          | 8-pin SOIC         |
| MIC38HC44BM   | MIC38HC44YM     | -40°C to +85°C          | 8-pin SOIC         |
| MIC38HC45BM   | MIC38HC45YM     | -40°C to +85°C          | 8-pin SOIC         |
| MIC38HC42-1BM | MIC38HC42-1YM   | -40°C to +85°C          | 14-pin SOIC        |
| MIC38HC43-1BM | MIC38HC43-1YM   | -40°C to +85°C          | 14-pin SOIC        |
| MIC38HC44-1BM | MIC38HC44-1YM   | -40°C to +85°C          | 14-pin SOIC        |
| MIC38HC45-1BM | MIC38HC45-1YM   | -40°C to +85°C          | 14-pin SOIC        |

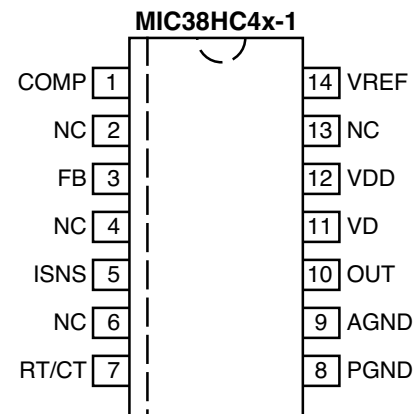
## Selection Guide

| Duty Cycle | UVLO Thresholds                        |                                       |
|------------|--|---------------------------------------|
|            | Startup 8.4V<br>Minimum Operating 7.6V | Startup 14.5V<br>Minimum Operating 9V |
| 0% to 96%  | MIC38HC43                              | MIC38HC42                             |
| 0% to 50%  | MIC38HC45                              | MIC38HC44                             |

## Pin Configuration



**8-Pin DIP (N)**  
**8-Lead SOIC (M)**



**14-Pin DIP (-1BN)**  
**14-Lead SOIC (-1BM)**

## Pin Description

| Pin Number<br>N, M, MM | Pin Number<br>-1BN, -1BM | Pin Name | Pin Function   |
|------------------------|--------------------------|----------|--|
| 1                      | 1                        | COMP     | Compensation: Connect external compensation network to modify the error amplifier output.                          |
|                        | 2                        | NC       | Not internally connected.  |
| 2                      | 3                        | FB       | Feedback (Input): Error amplifier input. Feedback is 2.5V at desired output voltage.                               |
|                        | 4                        | NC       | Not internally connected.  |
| 3                      | 5                        | ISNS     | Current Sense (Input): Current sense comparator input. Connect to current sensing resistor or current transformer. |
|                        | 6                        | NC       | Not internally connected.  |
| 4                      | 7                        | RT/CT    | Timing Resistor/Timing Capacitor: Connect external RC network to select switching frequency.                       |
| 5                      |                          | GND      | Ground: Combined analog and power ground.  |
|                        | 8                        | PGND     | Power Ground: N-channel driver transistor ground.  |
|                        | 9                        | AGND     | Analog Ground: Controller circuitry ground.  |
| 6                      | 10                       | OUT      | Power Output: Totem-pole output.   |
|                        | 11                       | VD       | Power Supply (Input): P-channel driver transistor supply input. Return to power ground (PGND).                     |
| 7                      | 12                       | VDD      | Analog Supply (Input): Controller circuitry supply input. Return to analog ground (AGND).                          |
|                        | 13                       | NC       | Not internally connected.  |
| 8                      | 14                       | VREF     | 5V Reference (Output): Connect external RC network.  |

## Absolute Maximum Ratings

|   |               |
|---|---------------|
| Zener Current ( $V_{DD}$ )  | 30mA          |
| <b>Operation at <math>\geq 18V</math> may require special precautions (Note 6).</b> |               |
| Supply Voltage ( $V_{DD}$ ), <b>Note 6</b>  | 20V           |
| Switch Supply Voltage ( $V_D$ )   | 20V           |
| Current Sense Voltage ( $V_{ISNS}$ )  | -0.3V to 5.5V |
| Feedback Voltage ( $V_{FB}$ )   | -0.3V to 5.5V |
| Output Current, 38HC42/3/4/5 ( $I_{OUT}$ )  | 1A            |

|  |                 |
|--|-----------------|
| Operating Junction Temperature ( $T_J$ ) | 150°C           |
| Package Thermal Resistance               |                 |
| 8-Pin Plastic DIP ( $\theta_{JA}$ )      | 125°C/W         |
| 8-Pin MM8™ ( $\theta_{JA}$ )             | 250°C/W         |
| 8-Pin SOIC ( $\theta_{JA}$ )             | 170°C/W         |
| 14-Pin Plastic DIP ( $\theta_{JA}$ )     | 90°C/W          |
| 14-Pin SOIC ( $\theta_{JA}$ )            | 145°C/W         |
| Storage Temperature ( $T_A$ )            | -65°C to +150°C |

## Electrical Characteristics

$V_{DD} = 15V$ , **Note 4**;  $R_T = 9.09k\Omega$ ;  $C_T = 3.3nF$ ;  $-40^\circ C \leq T_A \leq 85^\circ C$ ; unless noted

| Parameter | Test Conditions | Min | Typ | Max | Units |
|-----------|-----------------|-----|-----|-----|-------|
|-----------|-----------------|-----|-----|-----|-------|

### Reference Section

|                        |   |      |      |      |         |
|------------------------|---|------|------|------|---------|
| Output Voltage         | $T_A = 25^\circ C$ , $I_O = 1mA$                              | 4.90 | 5.00 | 5.10 | V       |
| Line Regulation        | $12V \leq V_{DD} \leq 18V$ , $I_O = 5\mu A$ , <b>Note 6</b>   |      | 2    | 20   | mV      |
| Load Regulation        | $1 \leq I_O \leq 20mA$  |      | 1    | 25   | mV      |
| Temp. Stability        | <b>Note 1</b>   |      | 0.2  |      | mV/°C   |
| Total Output Variation | Line, Load, Temp., <b>Note 1</b>                              | 4.82 |      | 5.18 | V       |
| Output Noise Voltage   | $10Hz \leq f \leq 10kHz$ , $T_A = 25^\circ C$ , <b>Note 1</b> |      | 50   |      | $\mu V$ |
| Long Term Stability    | $T_A = 125^\circ C$ , 1000 hrs., <b>Note 1</b>                |      | 5    | 25   | mV      |
| Output Short Circuit   |   | -30  | -80  | -180 | mA      |

### Oscillator Section

|                   |   |     |      |     |      |
|-------------------|---|-----|------|-----|------|
| Initial Accuracy  | $T_A = 25^\circ C$ , <b>Note 5</b>              | 49  | 52   | 55  | kHz  |
| Voltage Stability | $12 \leq V_{DD} \leq 18V$ , <b>Note 6</b>       |     | 0.2  | 1.0 | %    |
| Temp. Stability   | $T_{MIN} \leq T_A \leq T_{MAX}$ , <b>Note 1</b> |     | 0.04 |     | %/°C |
| Clock Ramp        | $T_A = 25^\circ C$ , $V_{RT/CT} = 2V$           | 7.7 | 8.4  | 9.0 | mA   |
| Reset Current     | $T_A = T_{MIN}$ to $T_{MAX}$                    | 7.2 | 8.4  | 9.5 | mA   |
| Amplitude         | $V_{RT/CT}$ peak to peak                        |     | 1.9  |     | Vp-p |

### Error Amp Section

|                       |  |      |      |      |         |
|-----------------------|--|------|------|------|---------|
| Input Voltage         | $V_{COMP} = 2.5V$                          | 2.42 | 2.50 | 2.58 | V       |
| Input Bias Current    | $V_{FB} = 5.0V$                            |      | -0.1 | -2   | $\mu A$ |
| $A_{VOL}$             | $2 \leq V_O \leq 4V$                       | 65   | 90   |      | dB      |
| Unity Gain Bandwidth  | <b>Note 1</b>                              | 0.7  | 1.0  |      | MHz     |
| PSRR                  | $12 \leq V_{DD} \leq 18V$                  | 60   |      |      | dB      |
| Output Sink Current   | $V_{FB} = 2.7V$ , $V_{COMP} = 1.1V$        | 2    | 14   |      | mA      |
| Output Source Current | $V_{FB} = 2.3V$ , $V_{COMP} = 5V$          | -0.5 | -1   |      | mA      |
| $V_{OUT}$ High        | $V_{FB} = 2.3V$ , $R_L = 15k$ to ground    | 5    | 6.8  |      | V       |
| $V_{OUT}$ Low         | $V_{FB} = 2.7V$ , $R_L = 15k$ to $V_{REF}$ |      | 0.1  | 1.1  | V       |

| Parameter                    | Test Conditions   | Min  | Typ  | Max  | Units    |
|------------------------------|---|------|------|------|----------|
| <b>Current Sense</b>         |   |      |      |      |          |
| Gain                         | Notes 2, 3  | 2.85 | 3.0  | 3.15 | V/V      |
| Maximum Threshold            | $V_{COMP} = 5V$ , Note 2                                  | 0.9  | 1    | 1.1  | V        |
| PSRR                         | $12 \leq V_{DD} \leq 18V$ , Note 2                        |      | 70   |      | dB       |
| Input Bias Current           |   |      | -0.1 | -2   | $\mu A$  |
| Delay to Output              |   |      | 120  | 250  | ns       |
| <b>Output</b>                |   |      |      |      |          |
| $R_{DS(ON)}$ 'HC' High       | $I_{SOURCE} = 200mA$                                      |      | 10   |      | $\Omega$ |
| $R_{DS(ON)}$ 'HC' Low        | $I_{SINK} = 200mA$  |      | 5.5  |      | $\Omega$ |
| Rise Time                    | $T_A = 25^\circ C$ , $C_L = 1nF$                          |      | 20   | 50   | ns       |
| Fall Time                    | $T_A = 25^\circ C$ , $C_L = 1nF$                          |      | 15   | 40   | ns       |
| <b>Undervoltage Lockout</b>  |   |      |      |      |          |
| Start Threshold              | MIC38HC42/4   | 13.5 | 14.5 | 15.5 | V        |
|                              | MIC38HC43/5   | 7.8  | 8.4  | 9.0  | V        |
| Minimum Operating Voltage    | MIC38HC42/4   | 8    | 9    | 10   | V        |
|                              | MIC38HC43/5   | 7.0  | 7.6  | 8.2  | V        |
| <b>Pulse Width Modulator</b> |   |      |      |      |          |
| Maximum Duty Cycle           | MIC38HC42/3   | 94   | 96   |      | %        |
|                              | MIC38HC44/5   | 46   | 50   |      | %        |
| Minimum Duty Cycle           |   |      |      | 0    | %        |
| <b>Total Standby Current</b> |   |      |      |      |          |
| Start-Up Current             | $V_{DD} = 13V$ , 38HC42/44<br>$V_{DD} = 7.5V$ , 38HC43/45 |      | 50   | 200  | $\mu A$  |
| Operating Supply Current     | $V_{FB} = V_{ISNS} = 0V$                                  |      | 4.0  | 6.0  | mA       |
| Zener Voltage ( $V_{DD}$ )   | $I_{DD} = 25mA$ , Note 6                                  | 30   | 37   |      | V        |

**Note 1:** These parameters, although guaranteed, are not 100% tested in production.

**Note 2:** Parameter measured at trip point of latch with  $V_{EA} = 0$ .

**Note 3:** Gain defined as:

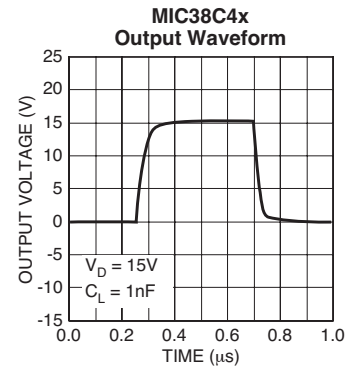
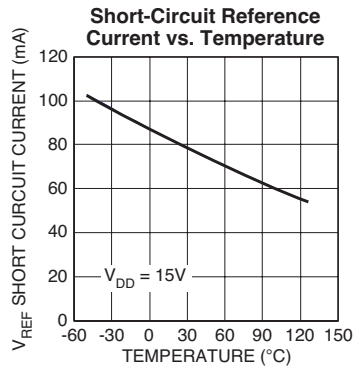
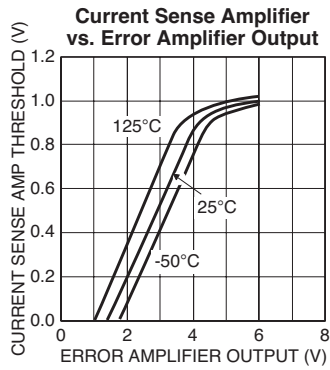
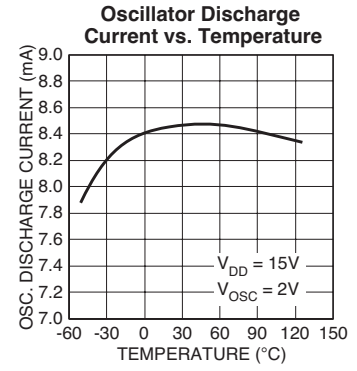
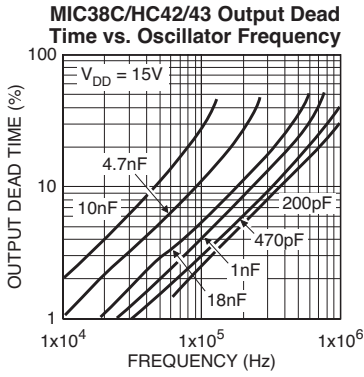
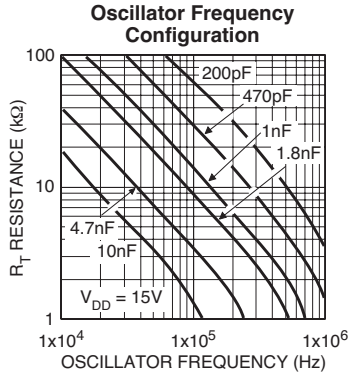
$$A = \frac{\Delta V_{PIN1}}{V_{TH}(I_{SNS})}; 0 \leq V_{TH}(I_{SNS}) \leq 0.8V$$

**Note 4:** Adjust  $V_{DD}$  above the start threshold before setting at 15V.

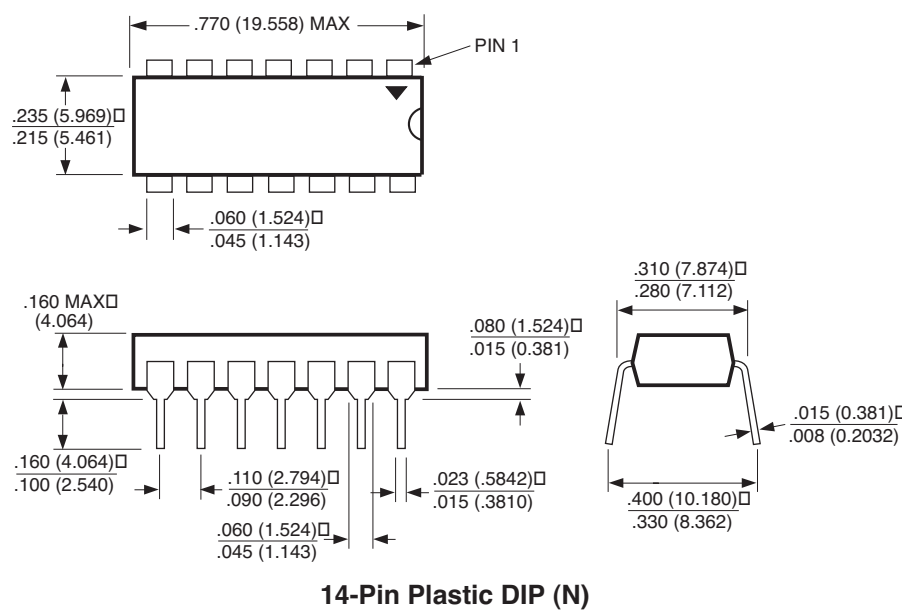
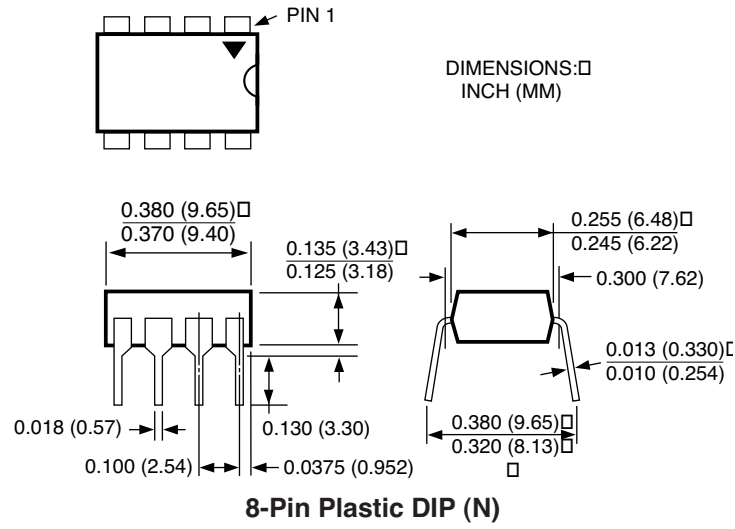
**Note 5:** Output frequency equals oscillator frequency for the MIC38HC42 and MIC38HC43. Output frequency for the MIC38HC44, and MIC38HC45 equals one half the oscillator frequency.

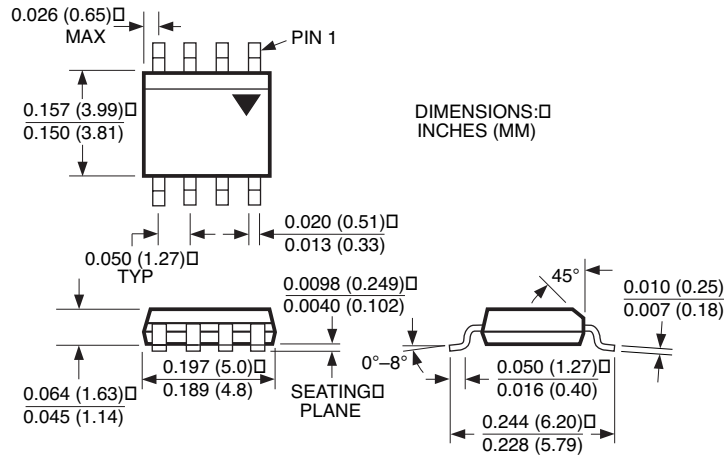
**Note 6:** On 8-pin version, 20V is maximum input on pin 7, as this is also the supply pin for the output stage. On 14-pin version, 40V is maximum for pin 12 and 20V maximum for pin 11.

# Typical Characteristics

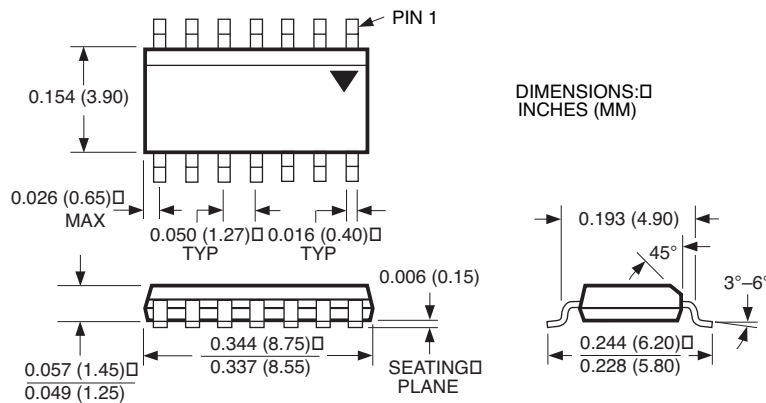


Package Information





**8-Pin SOIC (M)**



**14-Pin SOIC (M)**

**MICREL INC. 2180 FORTUNE DRIVE SAN JOSE, CA 95131 USA**

TEL + 1 (408) 944-0800 FAX + 1 (408) 474-1000 WEB <http://www.micrel.com>

This information furnished by Micrel in this data sheet is believed to be accurate and reliable. However no responsibility is assumed by Micrel for its use. Micrel reserves the right to change circuitry and specifications at any time without notification to the customer.

Micrel Products are not designed or authorized for use as components in life support appliances, devices or systems where malfunction of a product can reasonably be expected to result in personal injury. Life support devices or systems are devices or systems that (a) are intended for surgical implant into the body or (b) support or sustain life, and whose failure to perform can be reasonably expected to result in a significant injury to the user. A Purchaser's use or sale of Micrel Products for use in life support appliances, devices or systems is a Purchaser's own risk and Purchaser agrees to fully indemnify Micrel for any damages resulting from such use or sale.

© 2000 Micrel Incorporated



Компания «Океан Электроники» предлагает заключение долгосрочных отношений при поставках импортных электронных компонентов на взаимовыгодных условиях!

Наши преимущества:

- Поставка оригинальных импортных электронных компонентов напрямую с производств Америки, Европы и Азии, а так же с крупнейших складов мира;
- Широкая линейка поставок активных и пассивных импортных электронных компонентов (более 30 млн. наименований);
- Поставка сложных, дефицитных, либо снятых с производства позиций;
- Оперативные сроки поставки под заказ (от 5 рабочих дней);
- Экспресс доставка в любую точку России;
- Помощь Конструкторского Отдела и консультации квалифицированных инженеров;
- Техническая поддержка проекта, помощь в подборе аналогов, поставка прототипов;
- Поставка электронных компонентов под контролем ВП;
- Система менеджмента качества сертифицирована по Международному стандарту ISO 9001;
- При необходимости вся продукция военного и аэрокосмического назначения проходит испытания и сертификацию в лаборатории (по согласованию с заказчиком);
- Поставка специализированных компонентов военного и аэрокосмического уровня качества (Xilinx, Altera, Analog Devices, Intersil, Interpoint, Microsemi, Actel, Aeroflex, Peregrine, VPT, Syfer, Eurofarad, Texas Instruments, MS Kennedy, Miteq, Cobham, E2V, MA-COM, Hittite, Mini-Circuits, General Dynamics и др.);

Компания «Океан Электроники» является официальным дистрибьютором и эксклюзивным представителем в России одного из крупнейших производителей разъемов военного и аэрокосмического назначения «**JONHON**», а так же официальным дистрибьютором и эксклюзивным представителем в России производителя высокотехнологичных и надежных решений для передачи СВЧ сигналов «**FORSTAR**».



## JONHON

«**JONHON**» (основан в 1970 г.)

Разъемы специального, военного и аэрокосмического назначения:

(Применяются в военной, авиационной, аэрокосмической, морской, железнодорожной, горно- и нефтедобывающей отраслях промышленности)

«**FORSTAR**» (основан в 1998 г.)

ВЧ соединители, коаксиальные кабели,  
кабельные сборки и микроволновые компоненты:

(Применяются в телекоммуникациях гражданского и специального назначения, в средствах связи, РЛС, а так же военной, авиационной и аэрокосмической отраслях промышленности).



Телефон: 8 (812) 309-75-97 (многоканальный)

Факс: 8 (812) 320-03-32

Электронная почта: [ocean@oceanchips.ru](mailto:ocean@oceanchips.ru)

Web: <http://oceanchips.ru/>

Адрес: 198099, г. Санкт-Петербург, ул. Калинина, д. 2, корп. 4, лит. А