



# SY88083L

## 1G to 12.5G Limiting Post Amplifier with Digital Offset Correction

Revision 1.0

### General Description

The SY88083L limiting post amplifier is designed for use in fiber-optic receivers for continuous mode, multi-rate applications from 1Gbps to 12.5Gbps.

The SY88083L contains a high-bandwidth, high-sensitivity input stage with user-programmable, wide-range SD assert/LOS de-assert threshold levels, which enables optimized system reach. Typically, 4dB of electrical hysteresis is provided to minimize LOS or SD chattering caused by noisy input signals. A logic level control pin is provided to enable user selection of an open-collector, TTL-compatible LOS or SD status indication signal with an external 5k $\Omega$  to 10k $\Omega$  pull-up resistor.

The SY88083L provides faster SD assert and LOS de-assert times than typical continuous mode devices over the entire differential input voltage range of 10mV<sub>PP</sub> to 1800mV<sub>PP</sub>.

The SY88083L input stage also provides a user-selectable digital offset correction (DOC) function to automatically compensate for internal device offsets in the high-speed data path.

The SY88083L provides integrated 50 $\Omega$  input and output impedances to optimize the high-speed signal paths and reduce component count. A TTL-compatible JAM input is provided to enable a SQUELCH function by feeding back the LOS or SD signal. The JAM input disables only the post amplifier output.

The SY88083L operates from a single +3.3V power supply, over temperatures ranging from -40°C to +85°C.

Datasheets and support documentation are available on Micrel's web site at: [www.micrel.com](http://www.micrel.com).

### Features

- Multi-rate operation from 1.0625Gbps to 12.5Gbps
- Selectable digital offset correction for internal offset compensation in the high-speed data path
- Wide differential input range (10mV<sub>PP</sub> to 1800mV<sub>PP</sub>)
- Wide SD de-assert or LOS assert threshold range
  - 4.5mV<sub>PP</sub> to 30mV<sub>PP</sub>
  - 4dB typical electrical hysteresis
- Fast SD assert and LOS de-assert times
  - 1 $\mu$ s typical; 2 $\mu$ s maximum
- Selectable LOS or SD status signal indicator
- TTL-compatible JAM input with internal pull-up
- Low-noise CML data inputs with integrated 50 $\Omega$  termination impedance to internal reference V<sub>REF</sub>
- Low-noise CML data outputs with integrated 50 $\Omega$  termination impedance
  - 30ps typical rise/fall times
- Wide range power supply: 3.3V  $\pm$ 10%
- Industrial temperature range: -40°C to +85°C
- Available in a tiny 3mm  $\times$  3mm QFN package

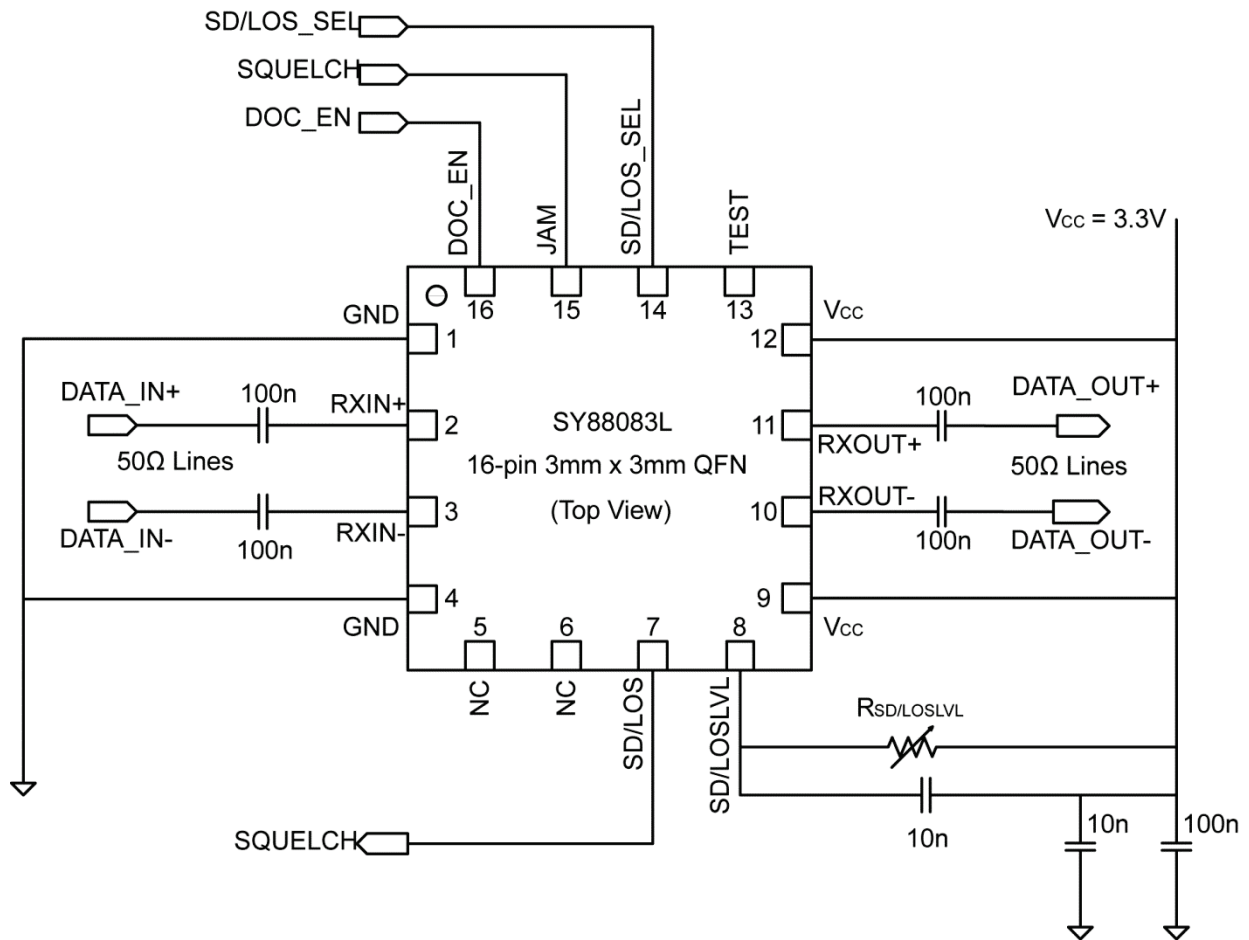
### Applications

- 10G/8G Fibre Channel
- 10Gigabit Ethernet
- OTN equipment
- SONET OC192; SDH STM64
- WDM/DWDM systems

### Markets

- Fibre Channel storage area networks
- Datacom/Enterprise
- High-performance computing
- Telecom
- Wireless base stations

### Typical Application Circuit



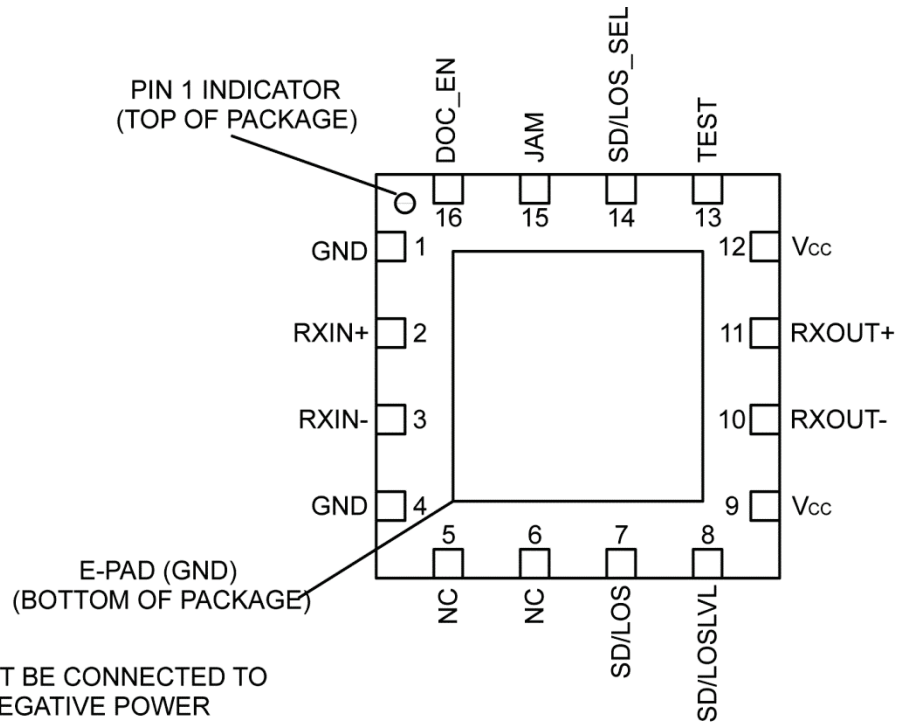
### Ordering Information

Part Number	Package Type	Operating Range	Package Marking	Lead Finish
SY88083LMG	3mm × 3mm QFN-16	Industrial	083L with Pb-Free bar-line indicator	NiPdAu Pb-Free
SY88083LMG TR <sup>(1)</sup>	3mm × 3mm QFN-16	Industrial	083L with Pb-Free bar-line indicator	NiPdAu Pb-Free

**Note:**

1. Tape and reel.

## Pin Configuration



**NOTE**  
 E-PAD MUST BE CONNECTED TO  
 THE PCB NEGATIVE POWER  
 SUPPLY PLANE USING THE  
 RECOMMENDED VIA ARRAY

**16-Pin 3mm x 3mm QFN  
 (Top View)**

## Pin Description

Pin Number	Pin Name	Pin Type	Pin Function
1	GND	Negative Supply Rail	Negative Supply Rail. Connect to the PCB negative power supply plane that is also connected to the ePad.
2	RXIN+	High-Speed Data Input	Differential Noninverting Data Input. LVPECL/CML compatible. AC-coupled with 100nF (high-frequency, low-ESR capacitor is recommended). Internally terminated with 50Ω to $V_{CC} - 0.9V$ . AC-coupled only.
3	RXIN-	High-Speed Data Input	Differential Inverting Data Input. LVPECL/CML-compatible. AC-coupled with 100nF (high-frequency, low-ESR capacitor is recommended). Internally terminated by 50Ω to $V_{CC} - 0.9V$ . AC-coupled only.
4	GND	Negative Supply Rail	Negative Supply Rail. Connect to the PCB negative power supply plane that is also connected to the ePad.
5	NC	No Connect	No Connect. Do not connect to logic circuits or power supply rails.
6	NC	No Connect	No Connect. Do not connect to logic circuits or power supply rails.
7	SD/LOS	Open Collector Logic Output	Output Status Indicator. Loss-of-signal (LOS) or signal detect (SD) open collector output externally terminated with 5kΩ to 10kΩ resistor to $V_{CC}$ . TTL compatible. LOS = High when RXIN± amplitude falls below the threshold set at the SD/LOSLVL pin. SD = Low when RXIN± amplitude falls below the threshold set at the SD/LOSLVL pin.
8	SD/LOSLVL	Analog Input	Analog control input. Sets the trigger threshold for the LOS or SD status indicator signals. If SD/LOS_SEL = High (LOS selected), connect a resistor from the SD/LOSLVL pin (loss of signal threshold level) to $V_{CC}$ to adjust the LOS_Assert threshold for the RXIN± data inputs. If SD/LOS_SEL = Low (SD selected), connect a resistor from the SD/LOSLVL pin (signal detect threshold level) to $V_{CC}$ to adjust the SD_De-assert threshold for the RXIN± data inputs.
9, 12	$V_{CC}$	Positive Supply Rail	Positive power supply input. Bypass with a 0.1μF capacitor in parallel with a 0.01μF low-ESR capacitor to GND as close as possible to the $V_{CC}$ pin.
10	RXOUT-	High-Speed Data Output	Differential inverting data output. CML compatible and internally terminated by 50Ω to $V_{CC}$ . Can be AC- or DC-coupled to downstream devices.
11	RXOUT+	High-Speed Data Output	Differential noninverting data output. CML compatible and internally terminated by 50Ω to $V_{CC}$ . Can be AC- or DC-coupled to downstream devices.
13	TEST	Test Pin	Factory test pin. For factory use only. Do not connect to logic circuits or power supply rails.
14	SD/LOS_SEL	Logic Level Input	Input control signal. TTL-compatible logic input signal to select LOS or SD as the output signal. Internal ~18kΩ pull-up to $V_{CC}$ . Default = High (NC): LOS selected – normal operation LOS/SD_SEL = Low: SD selected and JAM operation is inverted
15	JAM	Logic Level Input	Input control signal. TTL-compatible input signal that enables or disables the RXOUT± output signals. Internal 27kΩ pull-up resistor to $V_{CC}$ . Can be connected to SD/LOS to form a SQUELCH function. When SD/LOS_SEL = High Default = High and RXOUT± outputs are disabled. Low = RXOUT± outputs are enabled Operation is inverted when SD/LOS_SEL = Low and SD is selected.

**Pin Description (Continued)**

Pin Number	Pin Name	Pin Type	Pin Function
16	DOC_EN	Logic Level Input	<p>Input Control Signal. TTL-compatible logic input signal that enables or disables the digital offset correction (DOC) circuit.</p> <p>Default:  DOC_EN = High = Enable with internal 18kΩ pull-up to V<sub>CC</sub> if not connected to an external logic low or high signal.  DOC_EN = Low disables the digital offset correction function.</p> <p>Toggleing the DOC_EN signal from high to low to high will cause a reset of the DOC circuitry and initiate a new DOC routine to lock in new DOC values.</p> <p><b>Note:</b> Digital offset correction is not applied to large input signals.</p>
ePad	GND	Negative Supply Rail	Exposed Thermal Pad. Must be soldered to PCB plane connected to the negative supply rail. The recommended via array is needed to remove heat from the device.

**Absolute Maximum Ratings<sup>(2)</sup>**

Supply Voltage ( $V_{CC}$ )	0V to +4.0V
Input Voltage ( $RXIN_{\pm}$ )	$V_{CC} - 1.5V$ to $V_{CC}$
CML Output Voltage ( $V_{OUT}$ )	$V_{CC} - 1.0V$ to $V_{CC} + 0.5V$
JAM Voltage	0 to $V_{CC}$
SD/LOSLVL Voltage	$V_{CC} - 1.3V$ to $V_{CC}$
Lead Temperature (soldering, 20s)	260°C
Storage Temperature ( $T_s$ )	-65°C to +150°C

**Operating Ratings<sup>(3)</sup>**

Supply Voltage ( $V_{CC}$ )	+3.0V to +3.6V
Ambient Temperature ( $T_A$ )	-40°C to +85°C
Junction Temperature ( $T_J$ )	-40°C to +120°C
Package Thermal Resistance <sup>(4)</sup>	
QFN ( $\theta_{JA}$ ) Still-Air	60°C/W
QFN ( $\psi_{JB}$ )	33°C/W

**DC Electrical Characteristics**

$V_{CC} = 3.0$  to  $3.6V$ ;  $T_A = -40^{\circ}C$  to  $+85^{\circ}C$ , typical values at  $V_{CC} = 3.3V$ ,  $T_A = 25^{\circ}C$ .

Symbol	Parameter	Condition	Min.	Typ.	Max.	Units
$I_{CC}$	Power Supply Current	Note 5		60	75	mA
SD/LOSLVL	SD or LOS Threshold Voltage		$V_{CC} - 1.3$		$V_{CC}$	V
$V_{OH}$	$RXOUT_{\pm}$ High Voltage		$V_{CC} - 0.020$	$V_{CC} - 0.005$	$V_{CC}$	V
$V_{OL}$	$RXOUT_{\pm}$ Low Voltage		$V_{CC} - 0.400$	$V_{CC} - 0.350$	$V_{CC} - 0.300$	V
$V_{OS\_DOC\_ON}$	Differential Output Offset	Digital Offset Correction = ON		$\pm 10$		mV
$Z_0$	Single-Ended Output Impedance		45	50	55	$\Omega$
$Z_I$	Single-Ended Input Impedance		45	50	55	$\Omega$

**Notes:**

- Permanent device damage may occur if absolute maximum ratings are exceeded. This is a stress rating only and functional operation is not implied at conditions other than those detailed in the operational sections of this datasheet. Exposure to absolute maximum ratings conditions may affect device reliability.
- The datasheet limits are not guaranteed if the device is operated beyond the recommended operating conditions.
- Package thermal resistance assumes that the exposed pad is soldered (or equivalent) to the devices most negative potential on the PCB.  $\psi_{JB}$  and  $\theta_{JA}$  assumes still air and a 4-layer PCB, unless otherwise stated. It also assumes that the recommended via pattern and via sizes on the PCB are used.
- DOC is enabled, outputs  $RXOUT_{\pm}$  are loaded with external  $50\Omega$  loads, and the outputs are enabled.

## TTL DC Electrical Characteristics

$V_{CC} = 3.0$  to  $3.6V$ ;  $T_A = -40^{\circ}C$  to  $+85^{\circ}C$ , typical values at  $V_{CC} = 3.3V$ ,  $T_A = 25^{\circ}C$ .

Symbol	Parameter	Condition	Min.	Typ.	Max.	Units
$V_{IH}$	JAM, DOC_EN, SD/LOS_SEL Input High Voltage		2.0			V
$V_{IL}$	JAM, DOC_EN, SD/LOS_SEL Input Low Voltage				0.8	V
$I_{IH}$	JAM, DOC_EN, SD/LOS_SEL Input High Current	$V_{IN} = 2.7V$			20	$\mu A$
		$V_{IN} = V_{CC}$			100	
$I_{IL}$	JAM, DOC_EN, SD/LOS_SEL Input Low Current	$V_{IN} = 0.4V$	-0.3			mA
$V_{OH}$	SD or LOS Output High Level	Sourcing 100 $\mu A$	2.4			V
$V_{OL}$	SD or LOS Output Low Level	Sinking 2mA			0.4	V

## AC Electrical Characteristics

$V_{CC} = 3.3V \pm 10\%$ ,  $T_A = -40^\circ\text{C}$  to  $+85^\circ\text{C}$ . Typical values at  $V_{CC} = 3.3V$ ,  $T_A = 25^\circ\text{C}$ ;  $R_{LOAD} = 50\Omega$  to  $V_{CC}$ .

Symbol	Parameter	Condition	Min.	Typ.	Max.	Units
$t_r, t_f$	Output Rise/Fall Time (20% to 80%)	Note 6		30	45	ps
$t_{JITTER}$	Deterministic	Note 7		10		ps
	Random	Note 8		1		
$V_{ID}$	Differential Input Voltage Swing	Note 10. See Figure 1.	10		1800	mV <sub>PP</sub>
$V_{OD}$	Differential Output Voltage Swing	Note 6	600	700	800	mV <sub>PP</sub>
$t_{LOS\_D}$ ; $t_{LOS\_A}$ $t_{SD\_D}$ ; $t_{SD\_A}$	LOS De-assert, LOS Assert Time SD De-assert, SD Assert Time	Note 11		1	2	us
$LOS_{AM\_10k}$	Medium LOS Assert Level	$R_{LOSLVL} = 10k\Omega$ , Note 9		4.5		mV <sub>PP</sub>
$LOS_{DM\_10k}$	Medium LOS De-assert Level	$R_{LOSLVL} = 10k\Omega$ , Note 9		7.3		mV <sub>PP</sub>
$HYS_{M\_10k}$	Medium LOS Hysteresis	$R_{LOSLVL} = 10k\Omega$ , Note 12	2	4.1	6	dB
$LOS_{AH1\_1k}$	High1 LOS Assert Level	$R_{LOSLVL} = 1k\Omega$ , Note 9		18.6		mV <sub>PP</sub>
$LOS_{DH1\_1k}$	High1 LOS De-assert Level	$R_{LOSLVL} = 1k\Omega$ , Note 9		28.3		mV <sub>PP</sub>
$HYS_{H1\_1k}$	High1 LOS Hysteresis	$R_{LOSLVL} = 1k\Omega$ , Note 12	2	3.6	6	dB
$LOS_{AH2\_100}$	High2 LOS Assert Level	$R_{LOSLVL} = 100\Omega$ , Note 9		29.7		mV <sub>PP</sub>
$LOS_{DH2\_100}$	High2 LOS De-assert Level	$R_{LOSLVL} = 100\Omega$ , Note 9		44.6		mV <sub>PP</sub>
$HYS_{H2\_100}$	High2 LOS Hysteresis	$R_{LOSLVL} = 100\Omega$ , Note 12	2	3.5	6	dB
$A_{V(Diff)\_063C}$	Differential Voltage Gain			44		dB
$S_{21\_063C}$	Single-Ended Small-Signal Gain		32	38		dB
$t_{DOC\_DELAY}$	DOC Delay Time			15		$\mu\text{s}$
$t_{DOC\_LOCK}$	DOC Lock Time			150		$\mu\text{s}$

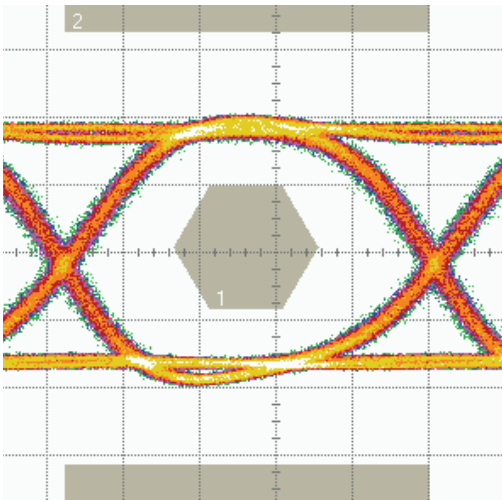
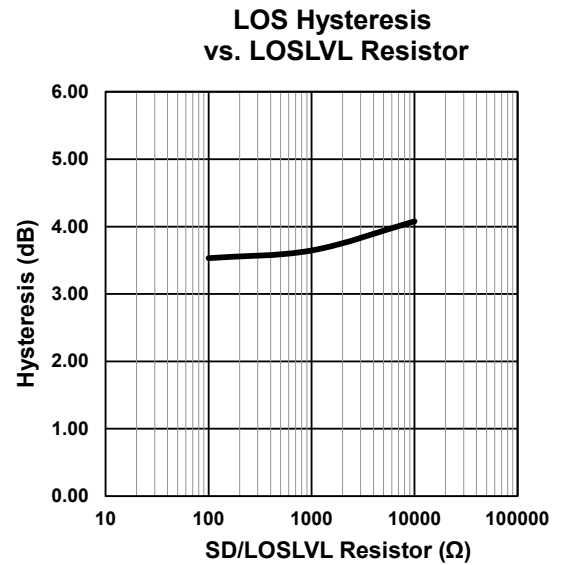
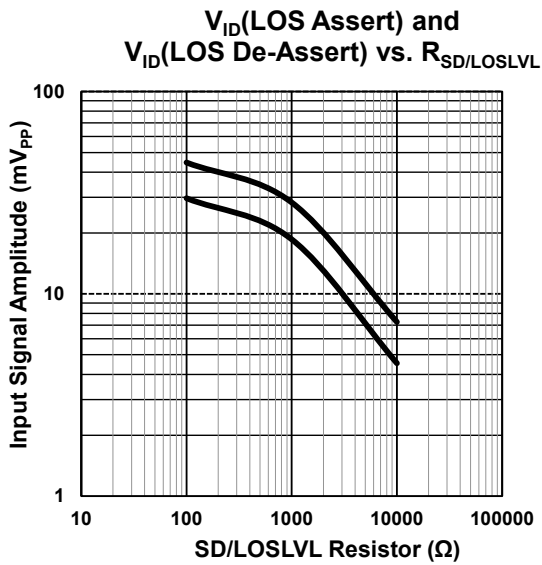
### Note:

6. Amplifier is in limiting mode. Input is a 200MHz square wave.
7. Deterministic jitter is measured using 10Gbps K28.5 pattern,  $V_{ID} = 20\text{mV}_{PP}$ .
8. Random jitter is measured using 10Gbps K28.7 pattern,  $V_{ID} = 20\text{mV}_{PP}$ .
9. See "Typical Operating Characteristics" for a graph showing how to choose a particular  $R_{LOSLVL}$  for a particular LOS assert and its associated de-assert amplitude.
10. Differential input swing amplitude for data rates up to 12.5Gbps
11. In real world applications, the LOS de-assert/assert time can be strongly influenced by the RC time constant of the AC-coupling capacitor and the 50 $\Omega$  input termination. To keep this time low, use a decoupling capacitor with the lowest value that is allowed by the data rate and the number of consecutive identical bits in the application (typical values are in the range of 0.001 $\mu\text{F}$  to 0.1 $\mu\text{F}$ ).
12. This specification defines electrical hysteresis as 20log (LOS de-assert/LOS assert). The ratio between optical hysteresis and electrical hysteresis is found to vary between 1.5 and 2, depending on the level of received optical power and ROSA characteristics.

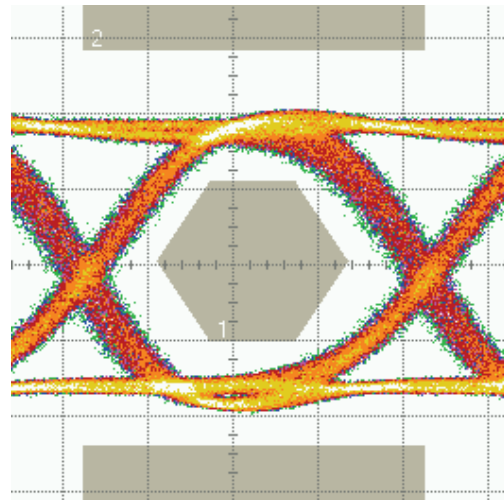


## Typical Operating Characteristics

$V_{CC} = 3.3V$ ,  $T_A = 25^\circ C$ ,  $R_{LOAD} = 50\Omega$  to  $V_{CC}$ , unless otherwise stated.

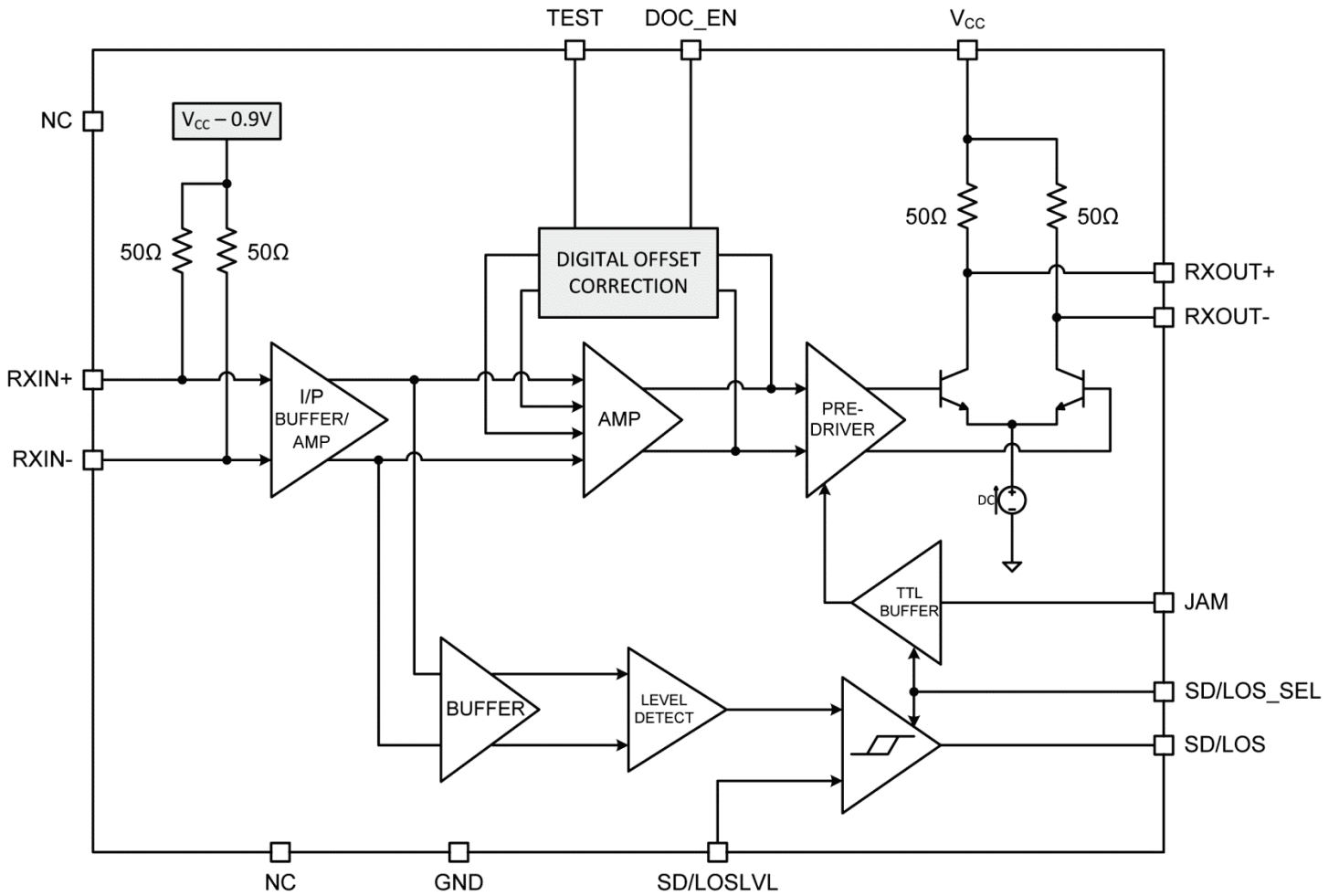


20 ps/div,  
Typical 10.3G Output with 10mV<sub>pp</sub> Input Signal



20 ps/div,  
Typical 12.5G Output with 10mV<sub>pp</sub> Input Signal

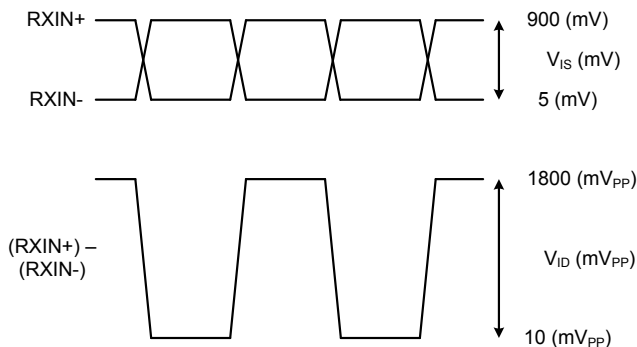
### Functional Block Diagram



## Functional Description

The SY88083L is a high-sensitivity, high-bandwidth limiting post amplifier. It operates from a single +3.3V power supply across the entire industrial temperature range of  $-40^{\circ}\text{C}$  to  $+85^{\circ}\text{C}$ .

Signals with data rates from 1.0625Gbps to 12.5Gbps and amplitudes as small as  $10\text{mV}_{\text{PP}}$  are supported. [Figure 1](#) shows the allowed input voltage swing.



**Figure 1.  $V_{\text{IS}}$  and  $V_{\text{ID}}$  Definition**

The SY88083L has a selectable SD or LOS status output signal that can be fed back to the JAM input to perform the SQUELCH function for output stability if there is no signal at the input. SD/LOSLVL sets the sensitivity of the input amplitude detection.

The SY88083L has a user-selectable, integrated digital offset correction function to cancel internally generated output offsets.

### Input Amplifier/Buffer

[Figure 2](#) shows a simplified schematic of the input stage. The high sensitivity of the input amplifier allows signals as small as  $10\text{mV}_{\text{PP}}$  to be detected and amplified. The input amplifier allows input signals as large as  $1800\text{mV}_{\text{PP}}$ . Input small signals are amplified with a typical 44dB differential voltage gain.

### Output Buffer

The SY88083L CML output buffer is designed to drive  $50\Omega$  impedance transmission lines and is internally terminated with  $50\Omega$  to  $V_{\text{CC}}$ . [Figure 3](#) shows a simplified schematic of the output stage.

### Signal Detect/Loss-of-Signal (SD/LOS)

The SY88083L generates a user-selectable (SD/LOS\_SEL pin) signal detect (SD) or loss-of-signal (LOS) open-collector TTL output, as shown in [Figure 4](#). LOS is used to determine whether the input amplitude is too small to be considered as a valid input. LOS asserts high if the input amplitude falls below the threshold set by

SD/LOSLVL and de-asserts low otherwise. LOS can be fed back to the JAM input to perform the SQUELCH function and to maintain output stability under a LOS condition. JAM de-asserts the true output signal low without removing the input signals. Typically, 4dB LOS hysteresis is provided to prevent chattering.

When SD/LOS\_SEL is used to select the SD output on the SD/LOS pin, SD is asserted when the differential input signal amplitude exceeds the level set by the SD/LOSLVL resistor. The JAM operation is inverted when SD is selected.

### Signal Detect/Loss-of-Signal Level Setting

A programmable SD/LOS level set pin (SD/LOSLVL) sets the threshold of the input amplitude detection. Connecting an external resistor between  $V_{\text{CC}}$  and SD/LOSLVL sets the threshold voltage. This voltage ranges from  $V_{\text{CC}}$  to  $V_{\text{CC}} - 1.3\text{V}$ . The external resistor creates a voltage divider between  $V_{\text{CC}}$  and  $V_{\text{CC}} - 1.3\text{V}$ , as shown in [Figure 5](#).

### Hysteresis

The SY88083L provides typically 4dB LOS electrical hysteresis, which is defined as  $20\log(V_{\text{IN}_{\text{LOS\_De-Assert}}} \mp V_{\text{IN}_{\text{LOS\_Assert}}})$ . Because the relationship of the voltage output of the ROSA to optical power at its input is linear, the optical hysteresis is typically half of the electrical hysteresis reported in the datasheet. In practice the ratio between electrical and optical hysteresis is found to be between 1.5 and 1.8. Thus, 4dB electrical hysteresis corresponds to an optical hysteresis within the range of 2dB to 2.4dB.

### Digital Offset Correction (DOC)

The digital offset correction (DOC) circuit compensates for the inherent offsets found in high-gain amplifier circuits and minimizes the offset seen at the outputs. DOC is a user-selectable feature using the DOC\_EN pin as defined in the “[Pin Description](#)” table.

Conventional analog offset compensation techniques may be susceptible to drift from long continuous identical digit (CID) patterns. They can also add additional cost due to the extra DAC and manufacturing setup time needed to optimize each individual module. The SY88083L avoids both of these issues and provides a performance/cost optimized solution.

The DOC circuitry automatically detects any internal device offsets and locks the correction values but does not apply offset correction to large input signals.

The DOC is enabled by default unless DOC\_EN is pulled low by an external logic level signal. It can be reset by toggling the DOC\_EN pin high-to-low-to-high. The DOC reset routine typically completes in  $200\mu\text{s}$ .

## Functional Circuit Structures

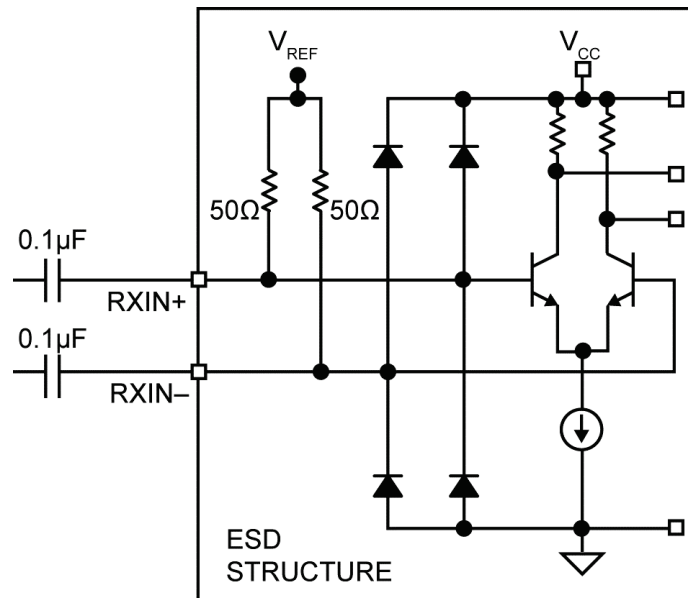


Figure 2. Input Structure

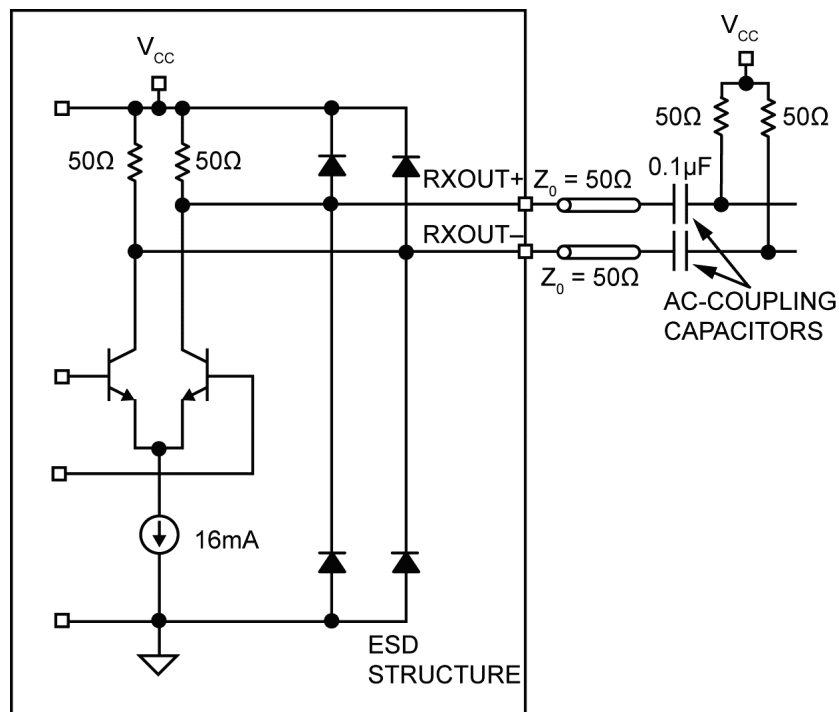


Figure 3. Output Structure

## Functional Circuit Structures (Continued)

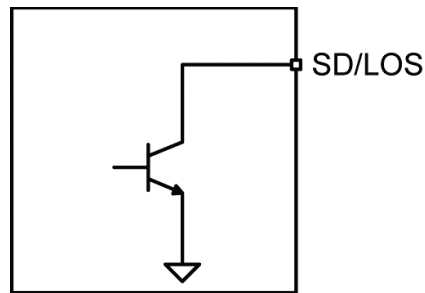


Figure 4. SD/LOS Output Structure

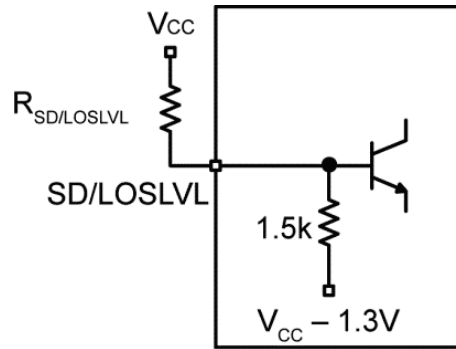
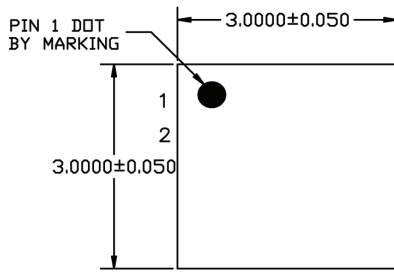


Figure 5. SD/LOSLVL Setting Circuit

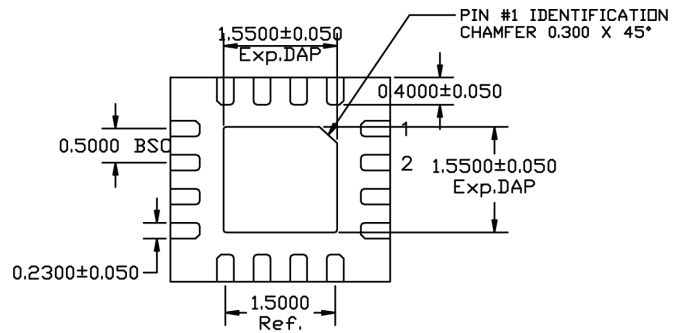
## Related Product and Support Documentation

Document Number	Title	Application Note Link
AN-45	Notes on Sensitivity and Hysteresis in Micrel Post Amplifiers	<a href="http://www.micrel.com/_PDF/HBW/App-Notes/an-45.pdf">www.micrel.com/_PDF/HBW/App-Notes/an-45.pdf</a>
SY88073L_83L_EB	SY88073L/SY88083L Evaluation Board	<a href="http://www.micrel.com/_PDF/Eval-Board/SY88073L_83L_EB.pdf">http://www.micrel.com/_PDF/Eval-Board/SY88073L_83L_EB.pdf</a>

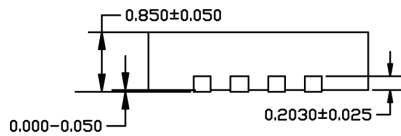
**Package Information**<sup>(12)</sup>



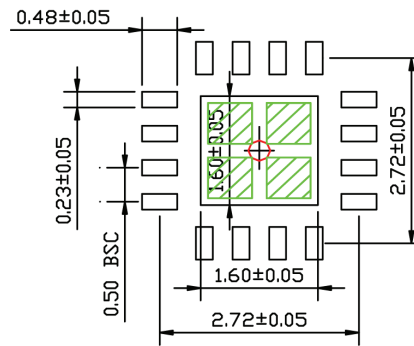
**TOP VIEW**  
NOTE: 1, 2, 3



**BOTTOM VIEW**  
NOTE: 1, 2, 3



**SIDE VIEW**  
NOTE: 1, 2, 3



**RECOMMENDED LAND PATTERN**  
NOTE: 4, 5

- NOTE:
1. MAX PACKAGE WARPAGE IS 0.05 MM
  2. MAX ALLOWABLE BURR IS 0.076MM IN ALL DIRECTIONS
  3. PIN #1 IS ON TOP WILL BE LASER MARKED
  4. RED CIRCLE IN LAND PATTERN INDICATE THERMAL VIA. SIZE SHOULD BE 0.30-0.3M IN DIAMETER AND SHOULD BE CONNECTED TO GND FOR MAX THERMAL PERFORMANCE
  5. GREEN RECTANGLES (SHADED AREA) INDICATE SOLDER STENCIL OPENING ON EXPOSED PAD AREA. SIZE SHOULD BE 0.60x0.60 MM IN SIZE, 0.20 MM SPACING.

**16-Pin (3mm × 3mm) QFN-16**

**Note:**

13. Package information is correct as of the publication date. For updates and most current information, go to [www.micrel.com](http://www.micrel.com).

---

**MICREL, INC. 2180 FORTUNE DRIVE SAN JOSE, CA 95131 USA**  
TEL +1 (408) 944-0800 FAX +1 (408) 474-1000 WEB <http://www.micrel.com>

Micrel makes no representations or warranties with respect to the accuracy or completeness of the information furnished in this data sheet. This information is not intended as a warranty and Micrel does not assume responsibility for its use. Micrel reserves the right to change circuitry, specifications and descriptions at any time without notice. No license, whether express, implied, arising by estoppel or otherwise, to any intellectual property rights is granted by this document. Except as provided in Micrel's terms and conditions of sale for such products, Micrel assumes no liability whatsoever, and Micrel disclaims any express or implied warranty relating to the sale and/or use of Micrel products including liability or warranties relating to fitness for a particular purpose, merchantability, or infringement of any patent, copyright or other intellectual property right.

Micrel Products are not designed or authorized for use as components in life support appliances, devices or systems where malfunction of a product can reasonably be expected to result in personal injury. Life support devices or systems are devices or systems that (a) are intended for surgical implant into the body or (b) support or sustain life, and whose failure to perform can be reasonably expected to result in a significant injury to the user. A Purchaser's use or sale of Micrel Products for use in life support appliances, devices or systems is a Purchaser's own risk and Purchaser agrees to fully indemnify Micrel for any damages resulting from such use or sale.

© 2013 Micrel, Incorporated.

Компания «Океан Электроники» предлагает заключение долгосрочных отношений при поставках импортных электронных компонентов на взаимовыгодных условиях!

Наши преимущества:

- Поставка оригинальных импортных электронных компонентов напрямую с производств Америки, Европы и Азии, а так же с крупнейших складов мира;
- Широкая линейка поставок активных и пассивных импортных электронных компонентов (более 30 млн. наименований);
- Поставка сложных, дефицитных, либо снятых с производства позиций;
- Оперативные сроки поставки под заказ (от 5 рабочих дней);
- Экспресс доставка в любую точку России;
- Помощь Конструкторского Отдела и консультации квалифицированных инженеров;
- Техническая поддержка проекта, помощь в подборе аналогов, поставка прототипов;
- Поставка электронных компонентов под контролем ВП;
- Система менеджмента качества сертифицирована по Международному стандарту ISO 9001;
- При необходимости вся продукция военного и аэрокосмического назначения проходит испытания и сертификацию в лаборатории (по согласованию с заказчиком);
- Поставка специализированных компонентов военного и аэрокосмического уровня качества (Xilinx, Altera, Analog Devices, Intersil, Interpoint, Microsemi, Actel, Aeroflex, Peregrine, VPT, Syfer, Eurofarad, Texas Instruments, MS Kennedy, Miteq, Cobham, E2V, MA-COM, Hittite, Mini-Circuits, General Dynamics и др.);

Компания «Океан Электроники» является официальным дистрибьютором и эксклюзивным представителем в России одного из крупнейших производителей разъемов военного и аэрокосмического назначения «JONHON», а так же официальным дистрибьютором и эксклюзивным представителем в России производителя высокотехнологичных и надежных решений для передачи СВЧ сигналов «FORSTAR».



## JONHON

«JONHON» (основан в 1970 г.)

Разъемы специального, военного и аэрокосмического назначения:

(Применяются в военной, авиационной, аэрокосмической, морской, железнодорожной, горно- и нефтедобывающей отраслях промышленности)

«FORSTAR» (основан в 1998 г.)

ВЧ соединители, коаксиальные кабели,  
кабельные сборки и микроволновые компоненты:

(Применяются в телекоммуникациях гражданского и специального назначения, в средствах связи, РЛС, а так же военной, авиационной и аэрокосмической отраслях промышленности).



Телефон: 8 (812) 309-75-97 (многоканальный)

Факс: 8 (812) 320-03-32

Электронная почта: [ocean@oceanchips.ru](mailto:ocean@oceanchips.ru)

Web: <http://oceanchips.ru/>

Адрес: 198099, г. Санкт-Петербург, ул. Калинина, д. 2, корп. 4, лит. А