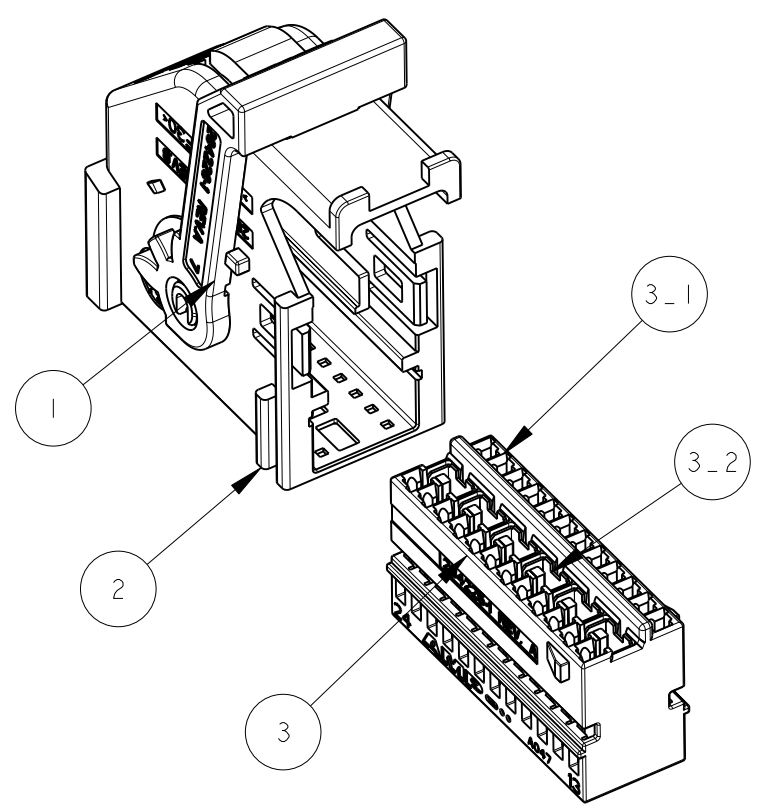


THIS DRAWING IS UNPUBLISHED. RELEASED FOR PUBLICATION 2011
 © COPYRIGHT 2011 Tyco Electronics AMP GmbH ALL RIGHTS RESERVED.

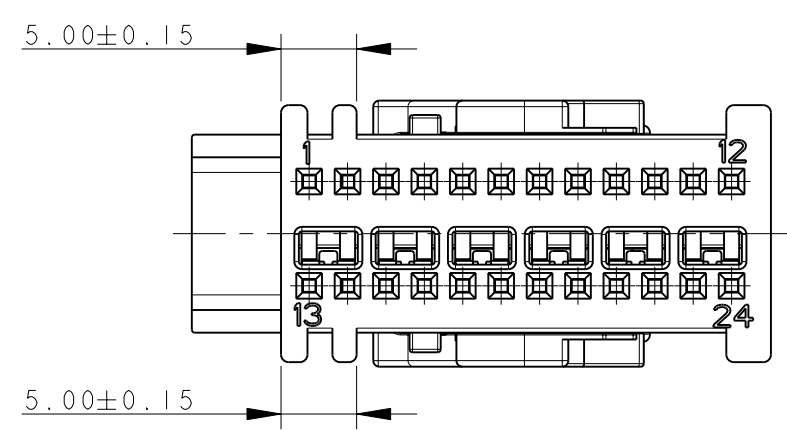
LOC	DIST	REVISIONS			
P	LTR	DESCRIPTION	DATE	DWN	APVD
-	-	SEE SHEET 1	-	-	-



ITEM VOCE	DESCRIPTIONE	MATERIALE	Q.TY Q.TA'
1	LEVER LEVA	PA 66 GF30 COLOR GREEN COLORE VERDE	1
2	COVER CORAZZA	PA 66 GF30 COLOR GRAY COLORE GRIGIO	1
3	RECEPTACLE CONN. ASSEMBLY ASSEM. BLOCCHETTO PORTA FEMMINE	SEE TABLE BELOW VEDI TAVOLA SOTTO	1

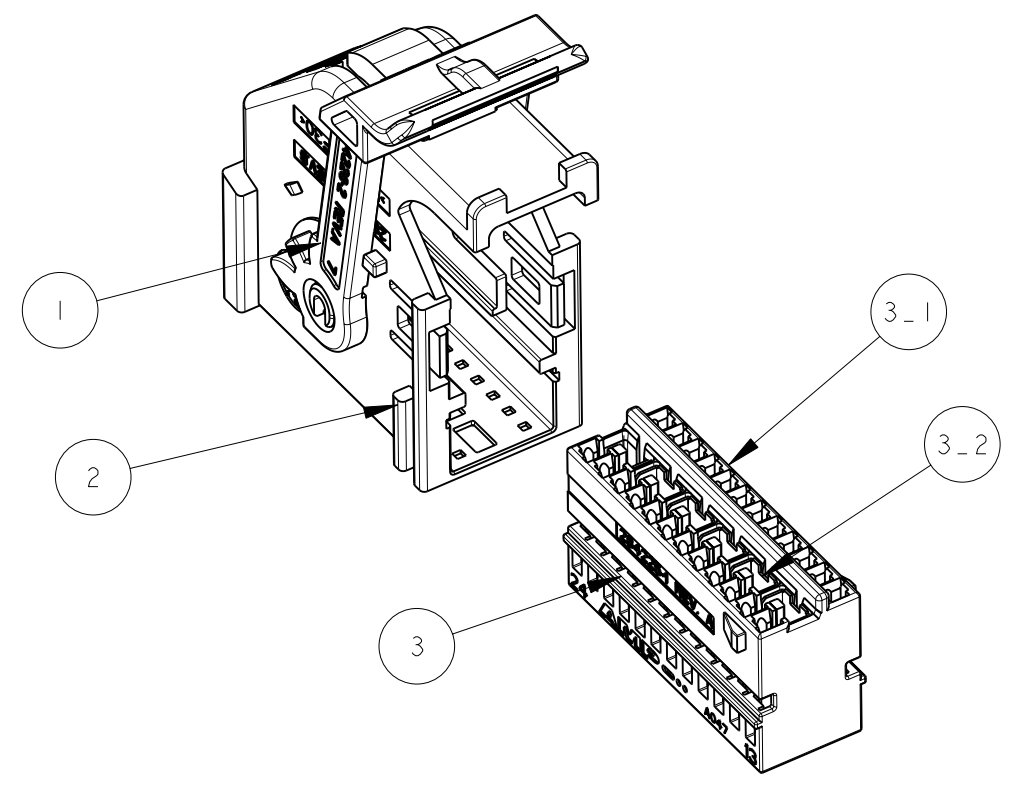
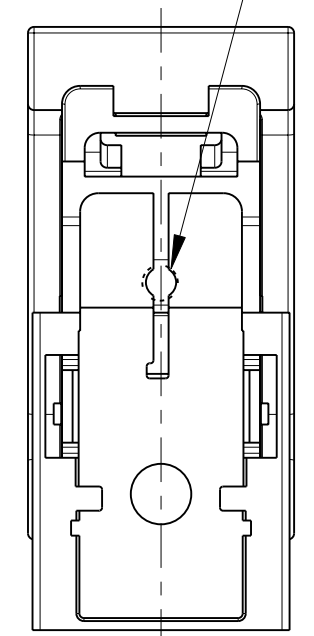
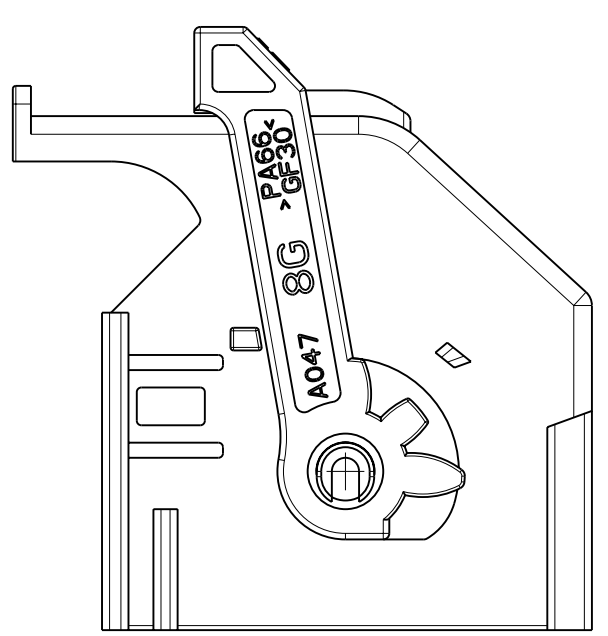
ITEM VOCE	SUB-ITEM SOTTO VOCE	DESCRIPTIONE	MATERIALE	Q.TY Q.TA'
3	3-1	HOUSING BLOCCHETTO	PA 66 GF13 COLOR GRAY COLORE GRIGIO	1
	3-2	SHORT CIRCUIT SPRING MOLLA DI CORTO CIRCUITO	STAINLESS STEEL ACCIAIO INOX	6

SCALE 3:2



P/N 284223-3

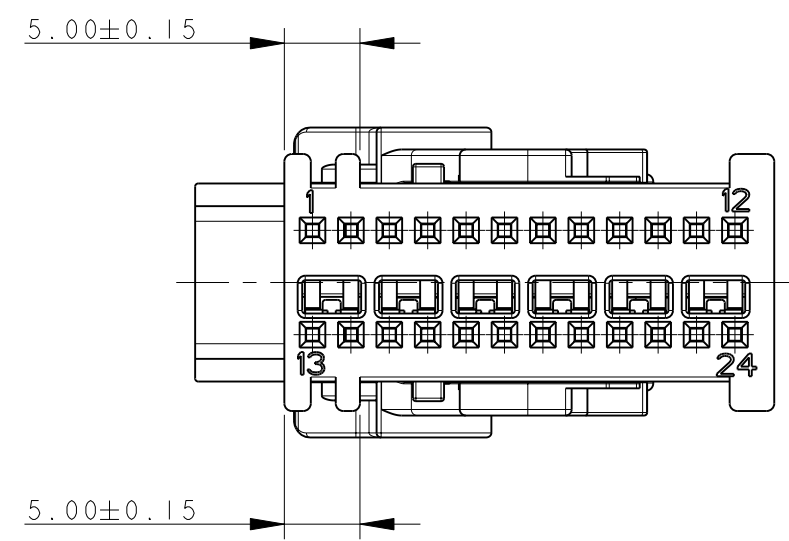
OPTIONAL AREA FOR MOLD EXTRACTORS



ITEM VOCE	DESCRIPTIONE	MATERIALE	Q.TY Q.TA'
1	LEVER LEVA	PA 66 GF30 COLOR GREEN COLORE VERDE	1
2	COVER CORAZZA	PA 66 GF30 COLOR GRAY COLORE GRIGIO	1
3	RECEPTACLE CONN. ASSEMBLY ASSEM. BLOCCHETTO PORTA FEMMINE	SEE TABLE BELOW VEDI TAVOLA SOTTO	1

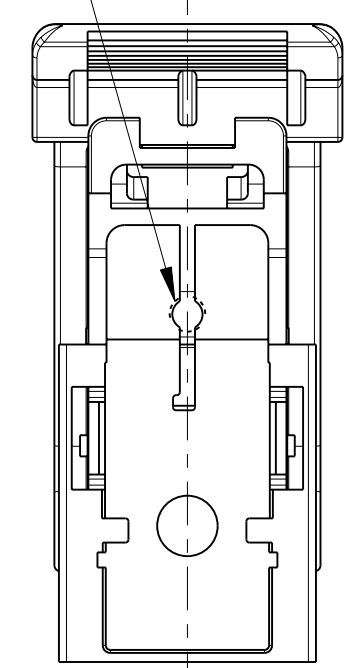
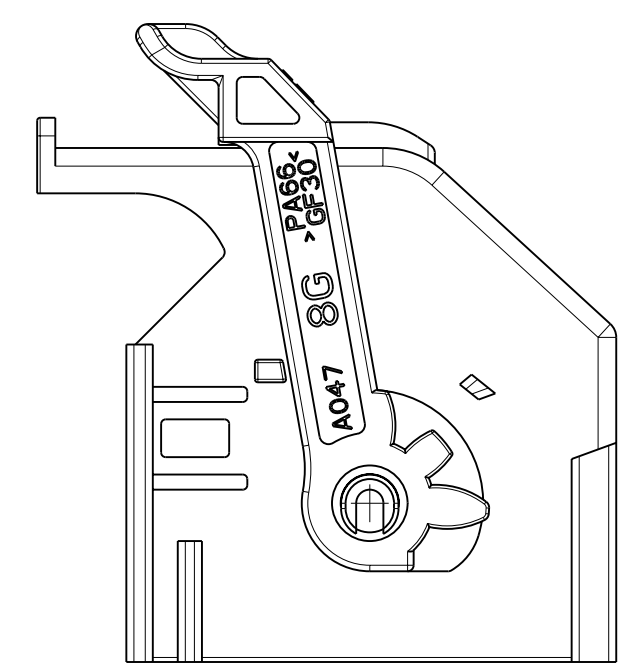
ITEM VOCE	SUB-ITEM SOTTO VOCE	DESCRIPTIONE	MATERIALE	Q.TY Q.TA'
3	3-1	HOUSING BLOCCHETTO	PA 66 GF13 COLOR GRAY COLORE GRIGIO	1
	3-2	SHORT CIRCUIT SPRING MOLLA DI CORTO CIRCUITO	STAINLESS STEEL ACCIAIO INOX	6

SCALE 3:2



P/N 1-284223-3

OPTIONAL AREA FOR MOLD EXTRACTORS



P/N 284223-3 AND 1-284223-3 KIT ASS'Y AS SHOWN
 P/N 284223-3 E 1-284223-3 KIT COME MOSTRATO

SUITABLE FOR MATING WITH:
 953621 PIN HEADER 24 + 24 POS. -CODE TYPE B-
 1379046 PIN HEADER 24 + 32 POS. -CODE TYPE B-
 1355737 PIN HEADER 24 + 32 POS. -KEY GEOMETRY AB_Ab-

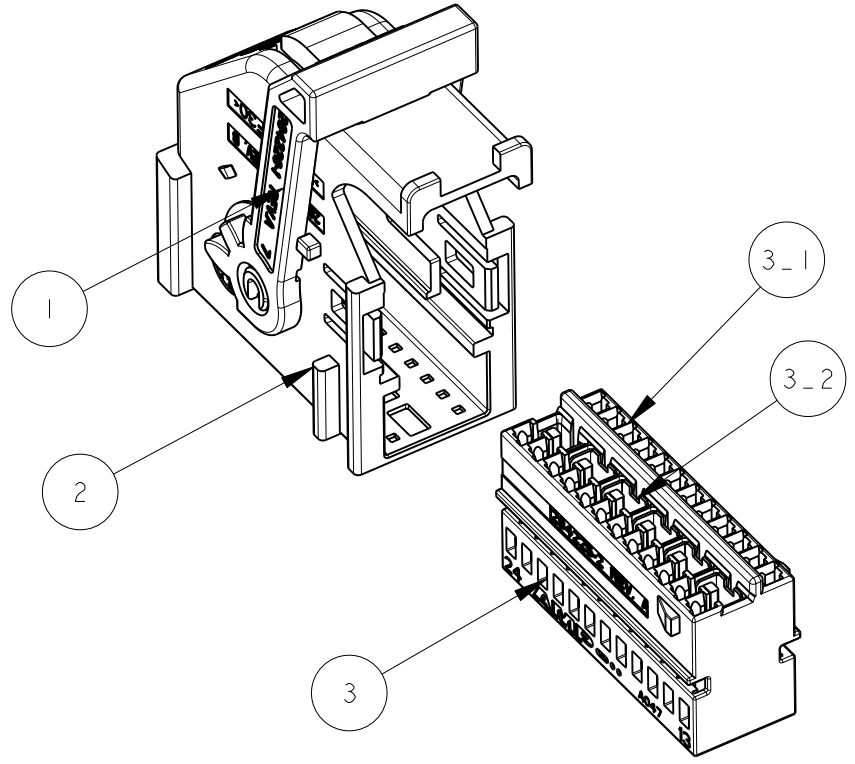
(ADATTI PER ACCOPPIAMENTO CON:
 953621 PIN HEADER 24 + 24 POS. -CODICE TIPO B-
 1379046 PIN HEADER 24 + 32 POS. -CODICE TIPO B-
 1355737 PIN HEADER 24 + 32 POS. -POLARIZZAZIONE GEOMETRICA AB_Ab-)

FOR MISSING DIMENSIONS AND NOTES SEE SHEET 1
 (PER LE DIMENSIONI MANCANTI E LE NOTE VEDERE FOGLIO 1)

THIS DRAWING IS A CONTROLLED DOCUMENT.		DWN P. CASSANDRIN 30NOV98	 TE Connectivity	NAME 24 POSITIONS AIRBAG CONNECTOR KIT ASS'Y	
DIMENSIONS: mm		CHK A. GENTA 30NOV98		SIZE	
TOLERANCES UNLESS OTHERWISE SPECIFIED:		APVD A. BRUNI 30NOV98		CAGE CODE	
0 PLC ±0.3		PRODUCT SPEC 108-20202		DRAWING NO	
1 PLC ±0.2		APPLICATION SPEC I.S. 411-20054	RESTRICTED TO		
2 PLC ±0.2		WEIGHT -	A260779C-284223		
3 PLC ±		CUSTOMER DRAWING	SCALE 2:1 SHEET 2 OF 6 REV B4		
4 PLC ±					
ANGLES ±					
FINISH					

THIS DRAWING IS UNPUBLISHED. RELEASED FOR PUBLICATION 2011
 © COPYRIGHT 2011 Tyco Electronics AMP GmbH ALL RIGHTS RESERVED.

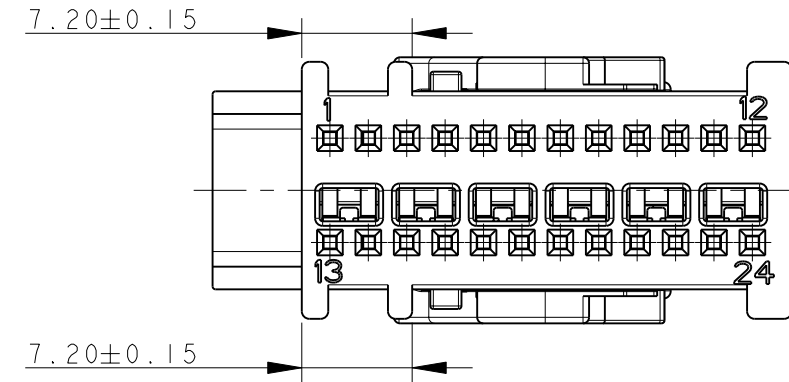
LOC	DIST	REVISIONS			
P	LTR	DESCRIPTION	DATE	DWN	APVD
-	-	SEE SHEET 1	-	-	-



ITEM VOCE	DESCRIPTIONE DESCRIZIONE	MATERIALE MATERIALE	Q.TY Q.TA'
1	LEVER LEVA	PA 66 GF30 COLOR GREEN COLORE VERDE	1
2	COVER CORAZZA	PA 66 GF30 COLOR BLACK COLORE NERO	1
3	RECEPTACLE CONN. ASSEMBLY ASSEM. BLOCCHETTO PORTA FEMMINE	SEE TABLE BELOW VEDI TAVOLA SOTTO	1

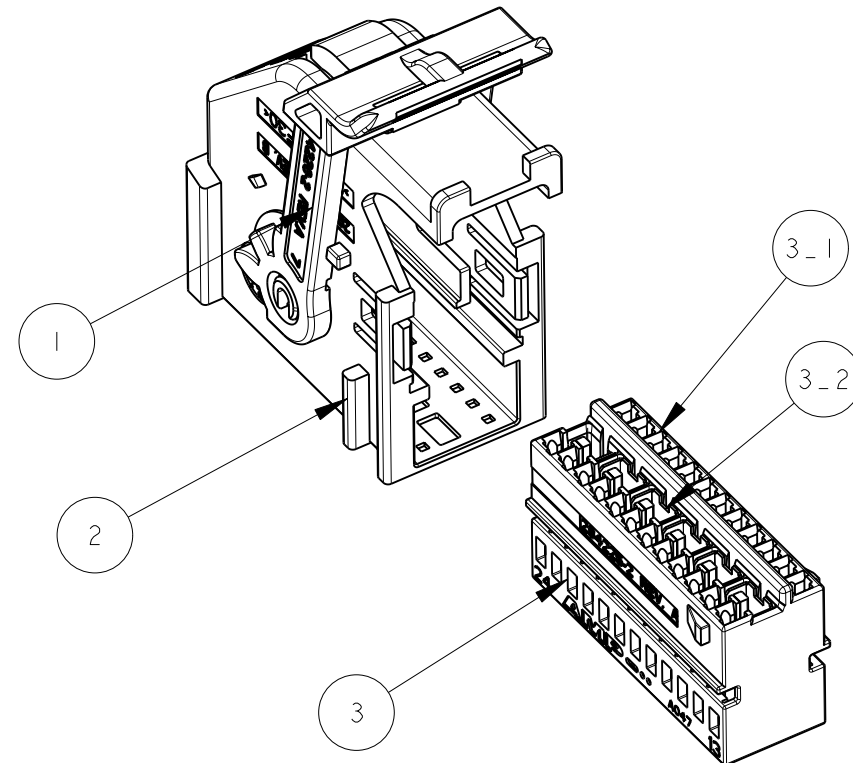
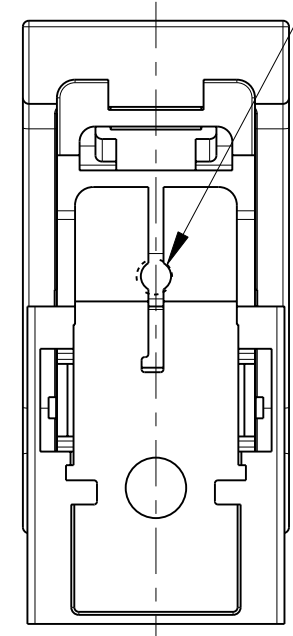
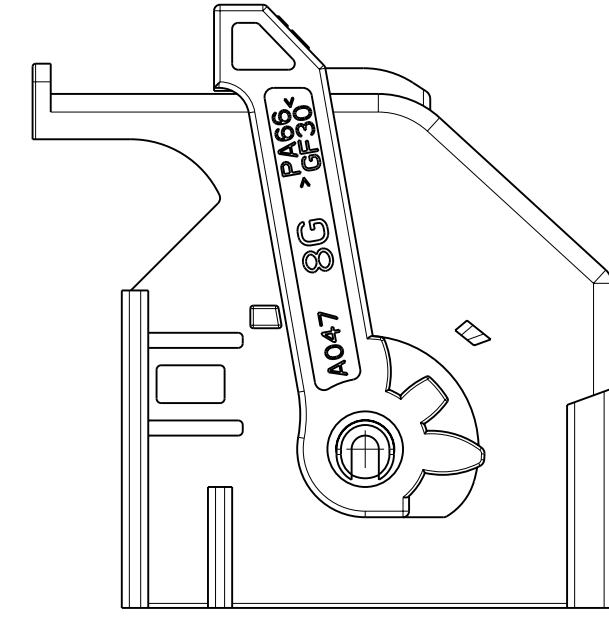
ITEM VOCE	SUB-ITEM SOTTO VOCE	DESCRIPTIONE DESCRIZIONE	MATERIALE MATERIALE	Q.TY Q.TA'
3	3-1	HOUSING BLOCCHETTO	PA 66 GF13 COLOR BLACK COLORE NERO	1
	3-2	SHORT CIRCUIT SPRING MOLLA DI CORTO CIRCUITO	STAINLESS STEEL ACCIAIO INOX	6

SCALE 3:2



P/N 284223-4

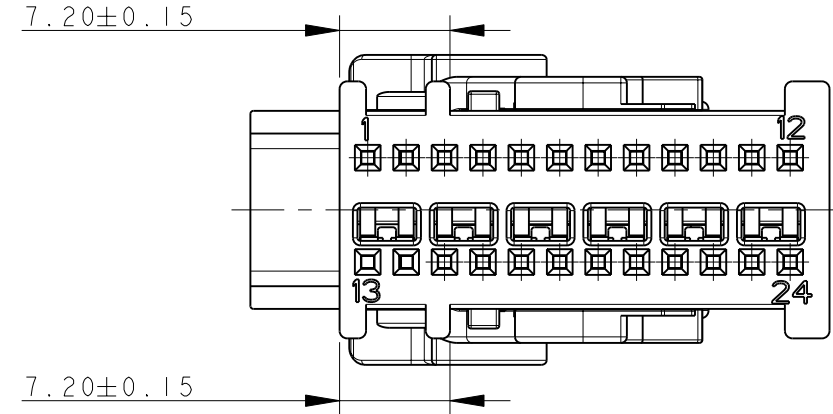
OPTIONAL AREA FOR MOLD EXTRACTORS



ITEM VOCE	DESCRIPTIONE DESCRIZIONE	MATERIALE MATERIALE	Q.TY Q.TA'
1	LEVER LEVA	PA 66 GF30 COLOR GREEN COLORE VERDE	1
2	COVER CORAZZA	PA 66 GF30 COLOR BLACK COLORE NERO	1
3	RECEPTACLE CONN. ASSEMBLY ASSEM. BLOCCHETTO PORTA FEMMINE	SEE TABLE BELOW VEDI TAVOLA SOTTO	1

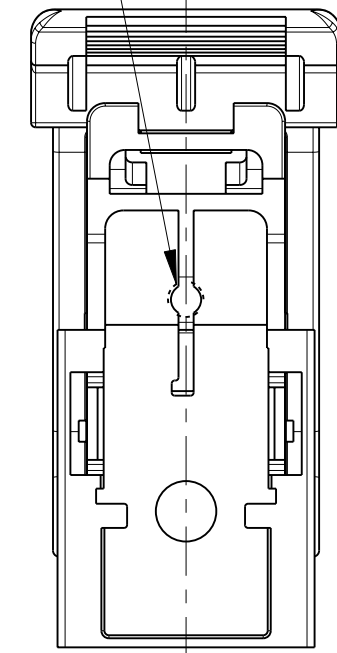
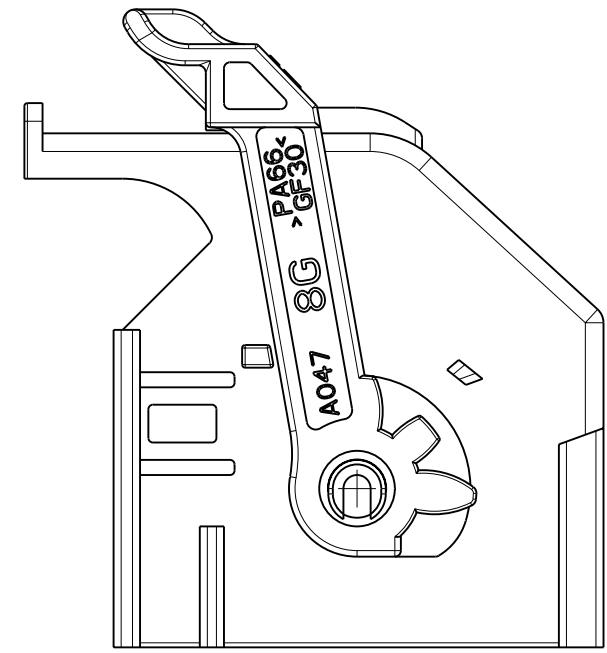
ITEM VOCE	SUB-ITEM SOTTO VOCE	DESCRIPTIONE DESCRIZIONE	MATERIALE MATERIALE	Q.TY Q.TA'
3	3-1	HOUSING BLOCCHETTO	PA 66 GF13 COLOR BLACK COLORE NERO	1
	3-2	SHORT CIRCUIT SPRING MOLLA DI CORTO CIRCUITO	STAINLESS STEEL ACCIAIO INOX	6

SCALE 3:2



P/N 1-284223-4

OPTIONAL AREA FOR MOLD EXTRACTORS



P/N 284223-4 AND 1-284223-4 KIT ASS'Y AS SHOWN
 P/N 284223-4 E 1-284223-4 KIT COME MOSTRATO

SUITABLE FOR MATING WITH:
 953621 PIN HEADER 24 + 24 POS. -CODE TYPE A-
 1379046 PIN HEADER 24 + 32 POS. -CODE TYPE A-
 1355737 PIN HEADER 24 + 32 POS. -KEY GEOMETRY AA_Aa-

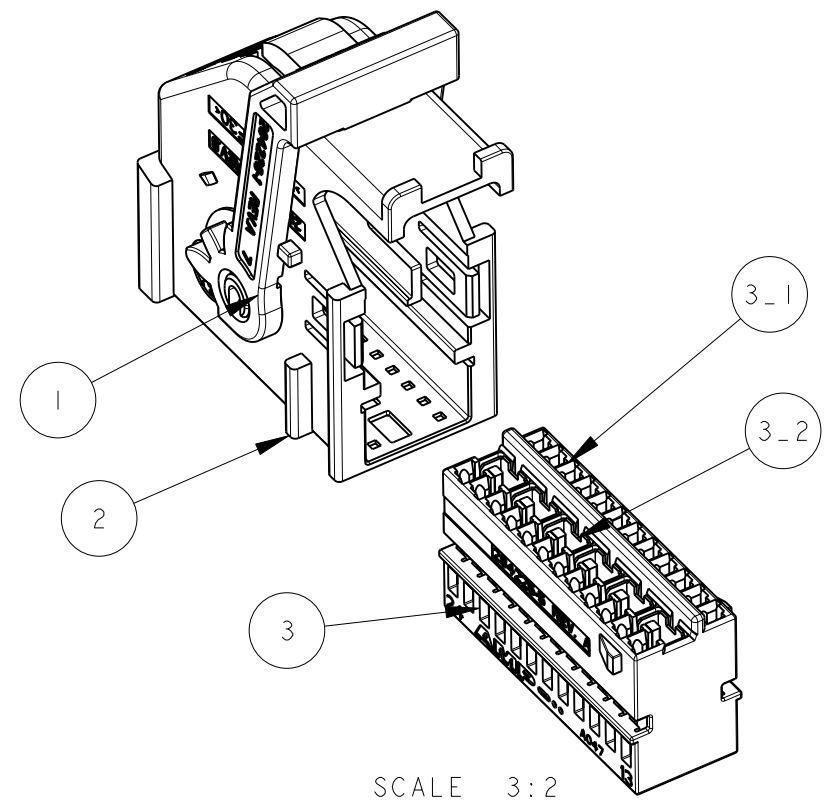
(ADATTI PER ACCOPPIAMENTO CON:
 953621 PIN HEADER 24 + 24 POS. -CODICE TIPO A-
 1379046 PIN HEADER 24 + 32 POS. -CODICE TIPO A-
 1355737 PIN HEADER 24 + 32 POS. -POLARIZZAZIONE GEOMETRICA AA_Aa-)

FOR MISSING DIMENSIONS AND NOTES SEE SHEET 1
 (PER LE DIMENSIONI MANCANTI E LE NOTE VEDERE FOGLIO 1)

THIS DRAWING IS A CONTROLLED DOCUMENT.		DWN P. CASSANDRIN 30NOV98	TE Connectivity	
		CHK A. GENTA 30NOV98		
		APVD A. BRUNI 30NOV98	NAME 24 POSITIONS AIRBAG CONNECTOR KIT ASS'Y	
DIMENSIONS: mm		PRODUCT SPEC 108-20202	SIZE CAGE CODE DRAWING NO	
TOLERANCES UNLESS OTHERWISE SPECIFIED:		APPLICATION SPEC I.S. 411-20054	RESTRICTED TO	
0 PLC ±0.3		WEIGHT -	A200779C-284223	
1 PLC ±0.2		SCALE 2:1 SHEET 3 OF 6 REV B4		
2 PLC ±0.2		CUSTOMER DRAWING		
3 PLC ±				
4 PLC ±				
ANGLES ±				
FINISH				

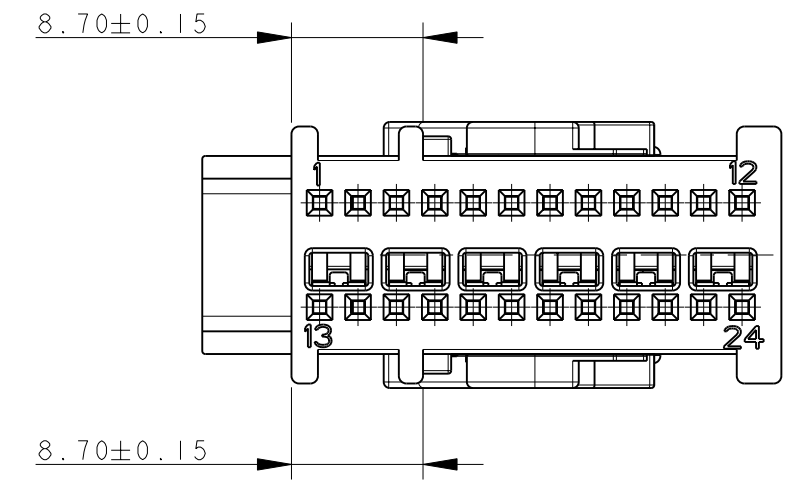
THIS DRAWING IS UNPUBLISHED. RELEASED FOR PUBLICATION 2011
 © COPYRIGHT 2011 Tyco Electronics AMP GmbH ALL RIGHTS RESERVED.

LOC	DIST	REVISIONS			
P	LTR	DESCRIPTION	DATE	DWN	APVD
-	-	SEE SHEET 1	-	-	-



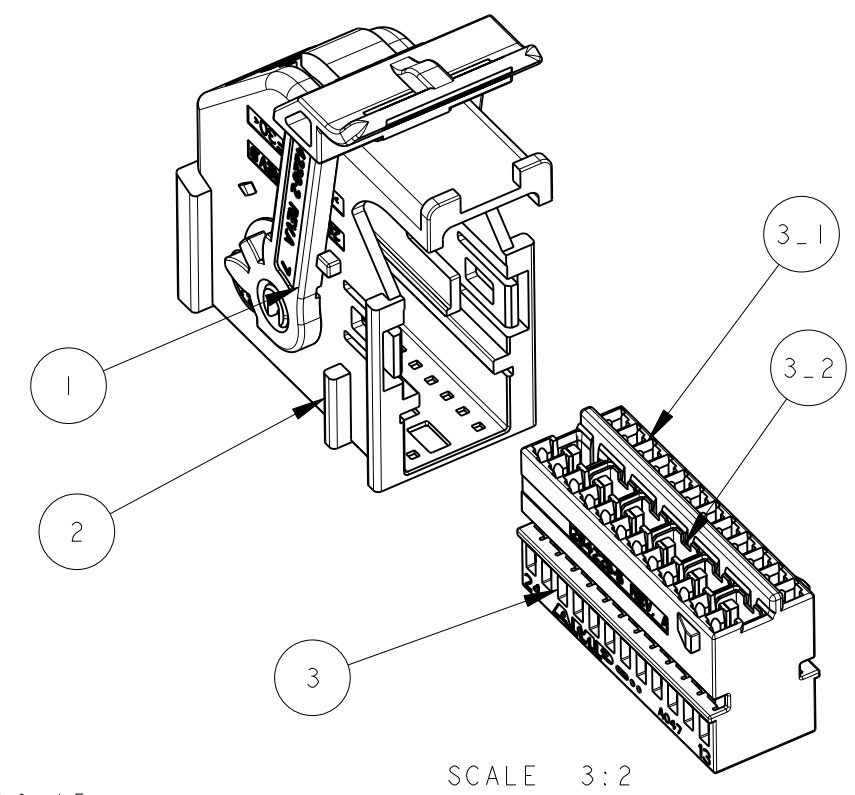
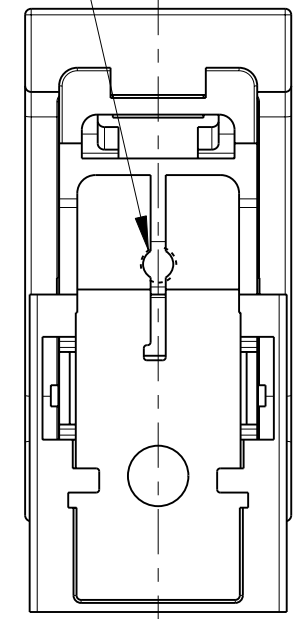
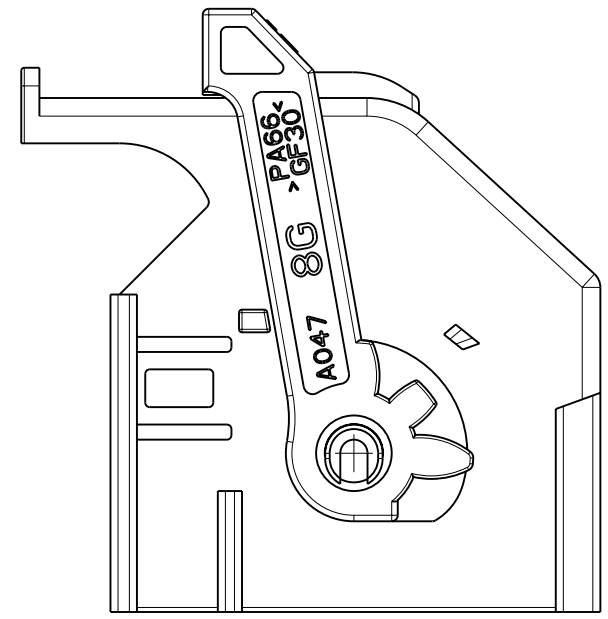
ITEM VOCE	DESCRIPTION DESCRIZIONE	MATERIAL MATERIALE	Q. TY Q. TA'
1	LEVER LEVA	PA 66 GF30 COLOR GREEN COLORE VERDE	1
2	COVER CORAZZA	PA 66 GF30 COLOR BROWN COLORE MARRONE	1
3	RECEPTACLE CONN. ASSEMBLY ASSEM. BLOCCHETTO PORTA FEMMINE	SEE TABLE BELOW VEDI TAVOLA SOTTO	1

ITEM VOCE	SUB-ITEM SOTTO VOCE	DESCRIPTION DESCRIZIONE	MATERIAL MATERIALE	Q. TY Q. TA'
3	3-1	HOUSING BLOCCHETTO	PA 66 GF13 COLOR BROWN COLORE MARRONE	1
	3-2	SHORT CIRCUIT SPRING MOLLA DI CORTO CIRCUITO	STAINLESS STEEL ACCIAIO INOX	6



P/N 284223-5

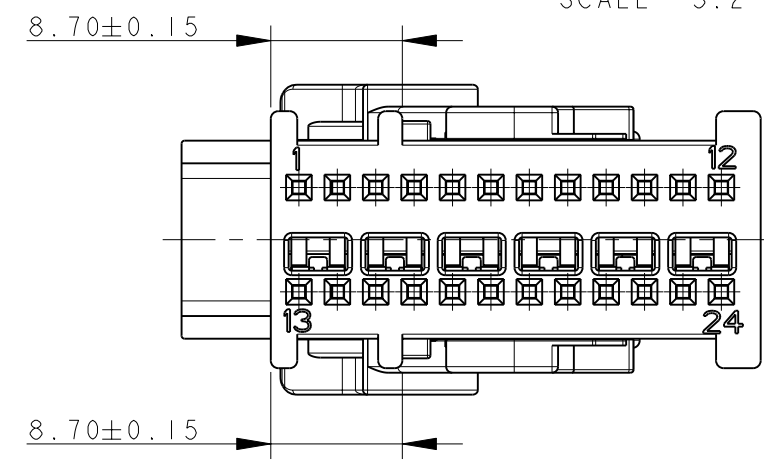
OPTIONAL AREA FOR MOLD EXTRACTORS



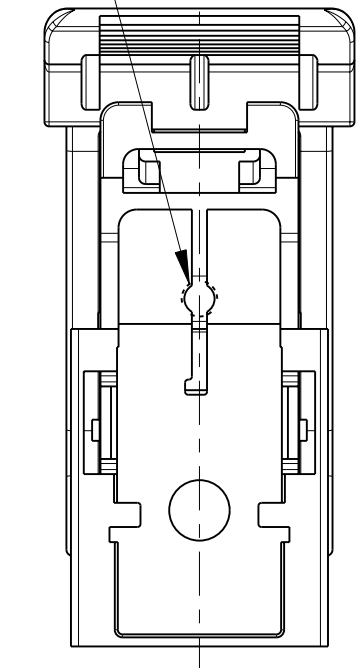
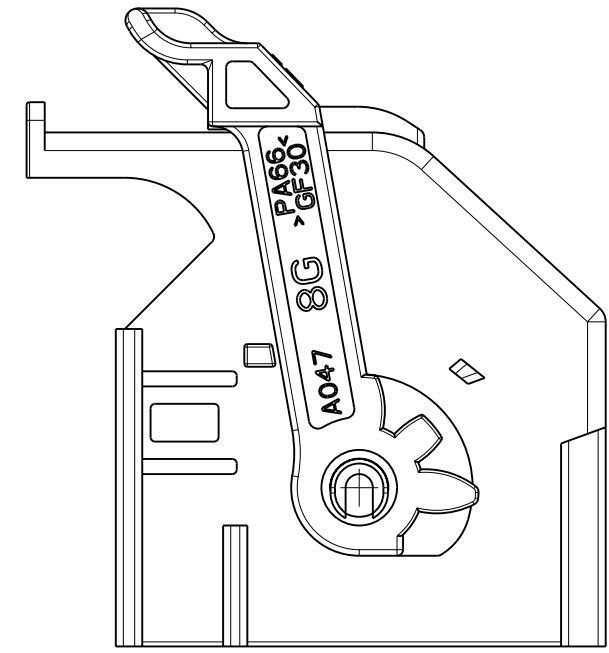
ITEM VOCE	DESCRIPTION DESCRIZIONE	MATERIAL MATERIALE	Q. TY Q. TA'
1	LEVER LEVA	PA 66 GF30 COLOR GREEN COLORE VERDE	1
2	COVER CORAZZA	PA 66 GF30 COLOR BROWN COLORE MARRONE	1
3	RECEPTACLE CONN. ASSEMBLY ASSEM. BLOCCHETTO PORTA FEMMINE	SEE TABLE BELOW VEDI TAVOLA SOTTO	1

ITEM VOCE	SUB-ITEM SOTTO VOCE	DESCRIPTION DESCRIZIONE	MATERIAL MATERIALE	Q. TY Q. TA'
3	3-1	HOUSING BLOCCHETTO	PA 66 GF13 COLOR BROWN COLORE MARRONE	1
	3-2	SHORT CIRCUIT SPRING MOLLA DI CORTO CIRCUITO	STAINLESS STEEL ACCIAIO INOX	6

P/N 1-284223-5



OPTIONAL AREA FOR MOLD EXTRACTORS



P/N 284223-5 AND 1-284223-5 KIT ASS'Y AS SHOWN
P/N 284223-5 E 1-284223-5 KIT COME MOSTRATO

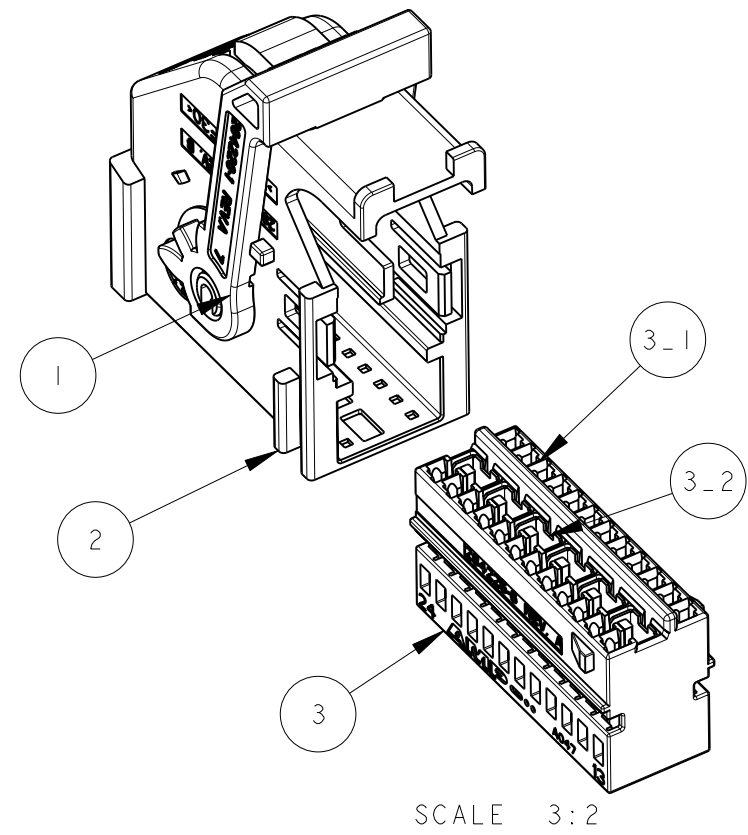
SUITABLE FOR MATING WITH:
 953621 PIN HEADER 24 + 24 POS. -CODE TYPE C-
 1379046 PIN HEADER 24 + 32 POS. -CODE TYPE C-
 1355737 PIN HEADER 24 + 32 POS. -KEY GEOMETRY AC_Ac-

(ADATTI PER ACCOPPIAMENTO CON
 953621 PIN HEADER 24 + 24 POS. -CODICE TIPO C-
 1379046 PIN HEADER 24 + 32 POS. -CODICE TIPO C-
 1355737 PIN HEADER 24 + 32 POS. -POLARIZZAZIONE GEOMETRICA AC_Ac-)

FOR MISSING DIMENSIONS AND NOTES SEE SHEET 1
 (PER LE DIMENSIONI MANCANTI E LE NOTE VEDERE FOGLIO 1)

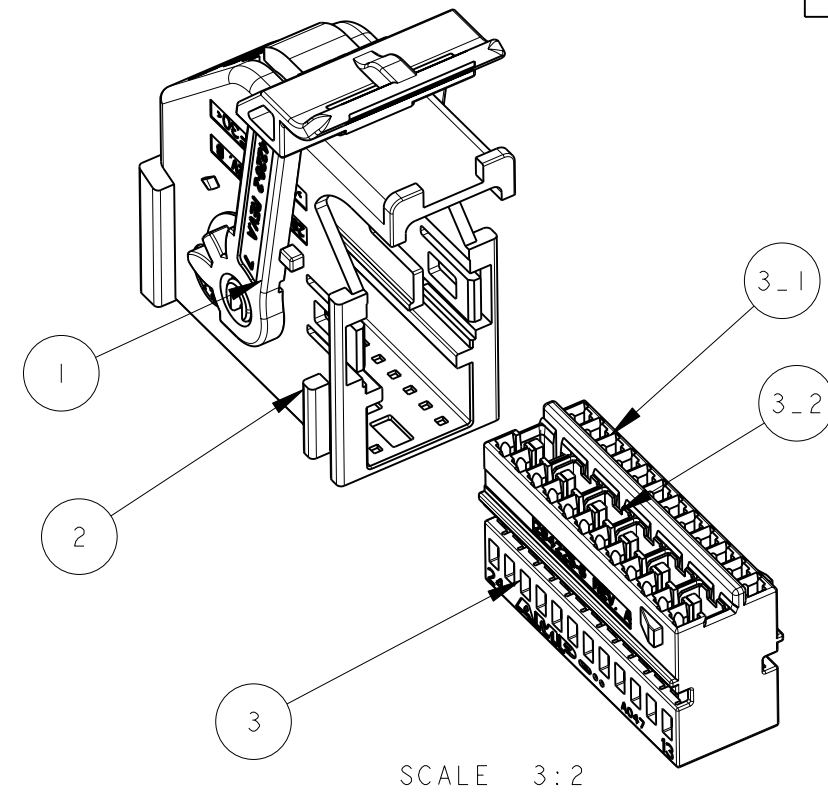
THIS DRAWING IS A CONTROLLED DOCUMENT.		DWN P. CASSANDRIN 30NOV98	 TE Connectivity	NAME 24 POSITIONS AIRBAG CONNECTOR KIT ASS'Y
DIMENSIONS: mm		CHK A. GENTA 30NOV98		
TOLERANCES UNLESS OTHERWISE SPECIFIED:		APVD A. BRUNI 30NOV98		
0 PLC ±0.3 1 PLC ±0.2 2 PLC ±0.2 3 PLC ± 4 PLC ± ANGLES ±		PRODUCT SPEC 108-20202 APPLICATION SPEC I.S. 411-20054		
MATERIAL	FINISH	WEIGHT	SIZE A260779	CAGE CODE C-284223
CUSTOMER DRAWING		SCALE 2:1	SHEET 4 OF 6	REV B4

REVISONS		DATE	DWN	APVD
P	LTR	DESCRIPTION		
-		SEE SHEET 1	-	-

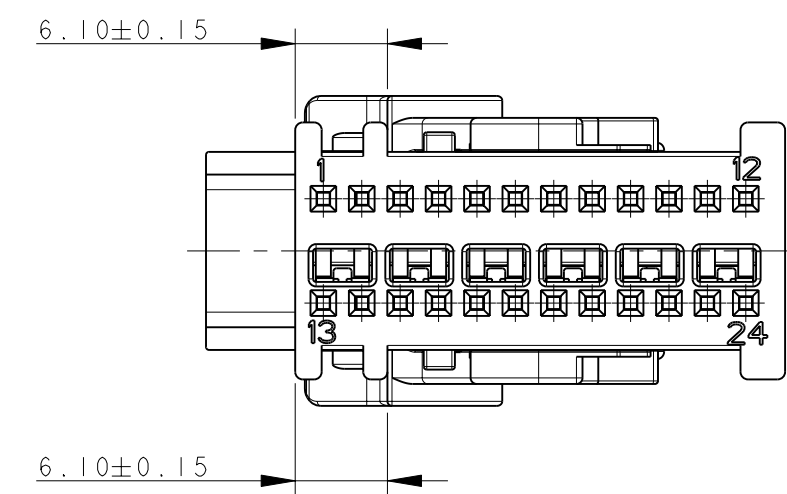


ITEM VOCE	DESCRIPTION DESCRIZIONE	MATERIAL MATERIALE	Q.TY Q.TA'
1	LEVER LEVA	PA 66 GF30 COLOR GREEN COLORE VERDE	1
2	COVER CORAZZA	PA 66 GF30 COLOR BLUE COLORE BLU	1
3	RECEPTACLE CONN. ASSEMBLY ASSEM. BLOCCHETTO PORTA FEMMINE	SEE TABLE BELOW VEDI TAVOLA SOTTO	1

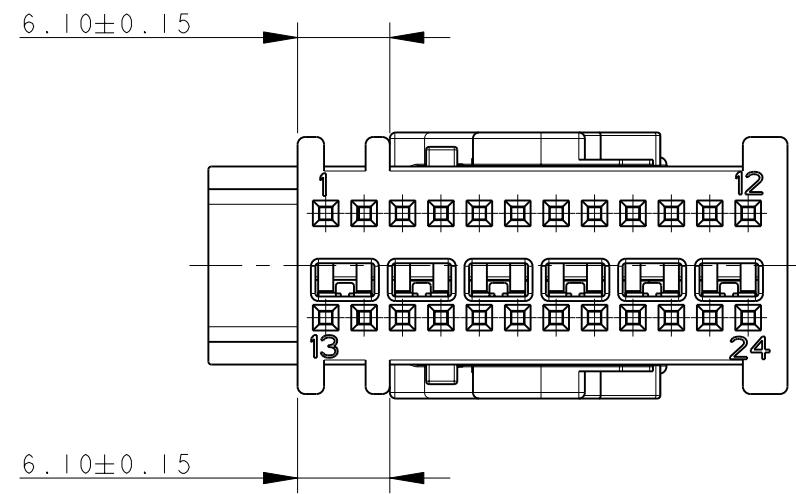
ITEM VOCE	SUB-ITEM SOTTO VOCE	DESCRIPTION DESCRIZIONE	MATERIAL MATERIALE	Q.TY Q.TA'
3	3-1	HOUSING BLOCCHETTO	PA 66 GF13 COLOR BLUE COLORE BLU	1
	3-2	SHORT CIRCUIT SPRING MOLLA DI CORTO CIRCUITO	STAINLESS STEEL ACCIAIO INOX	6



ITEM VOCE	DESCRIPTION DESCRIZIONE	MATERIAL MATERIALE	Q.TY Q.TA'
1	LEVER LEVA	PA 66 GF30 COLOR GREEN COLORE VERDE	1
2	COVER CORAZZA	PA 66 GF30 COLOR BLUE COLORE BLU	1
3	RECEPTACLE CONN. ASSEMBLY ASSEM. BLOCCHETTO PORTA FEMMINE	SEE TABLE BELOW VEDI TAVOLA SOTTO	1

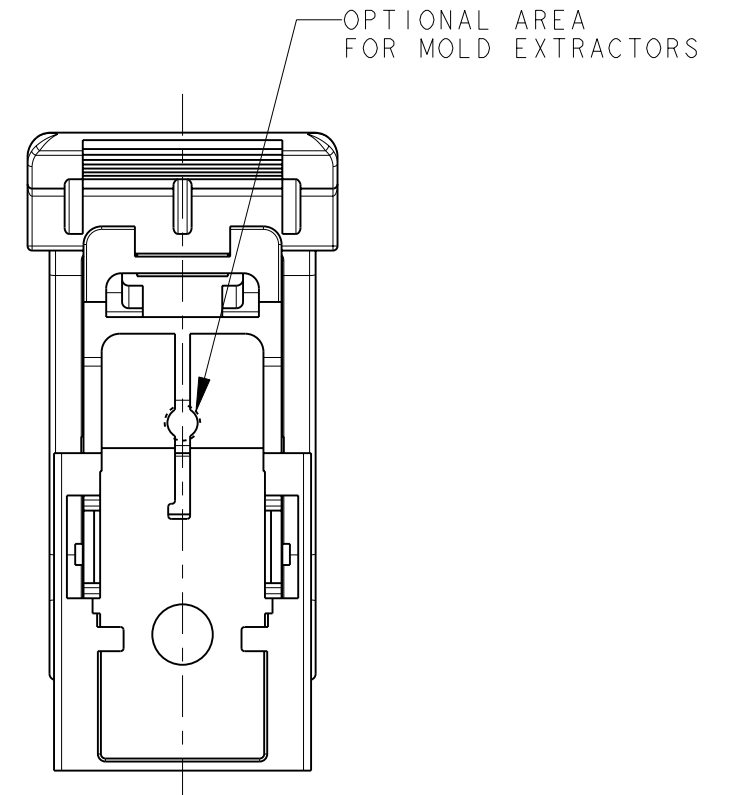
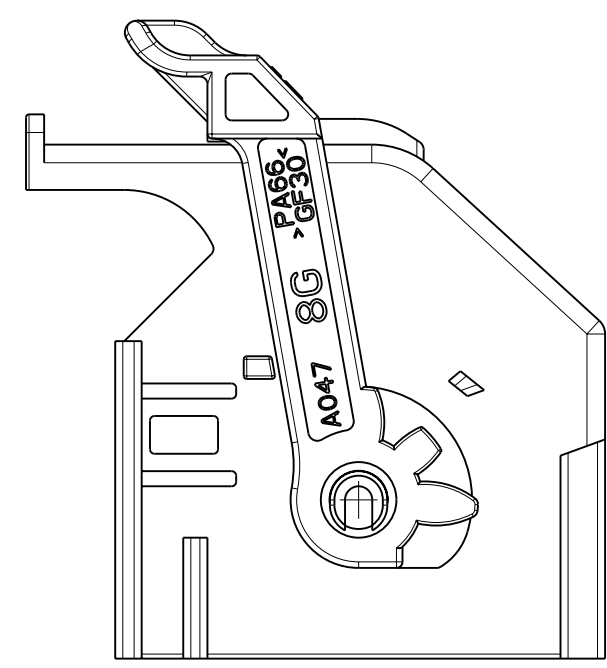
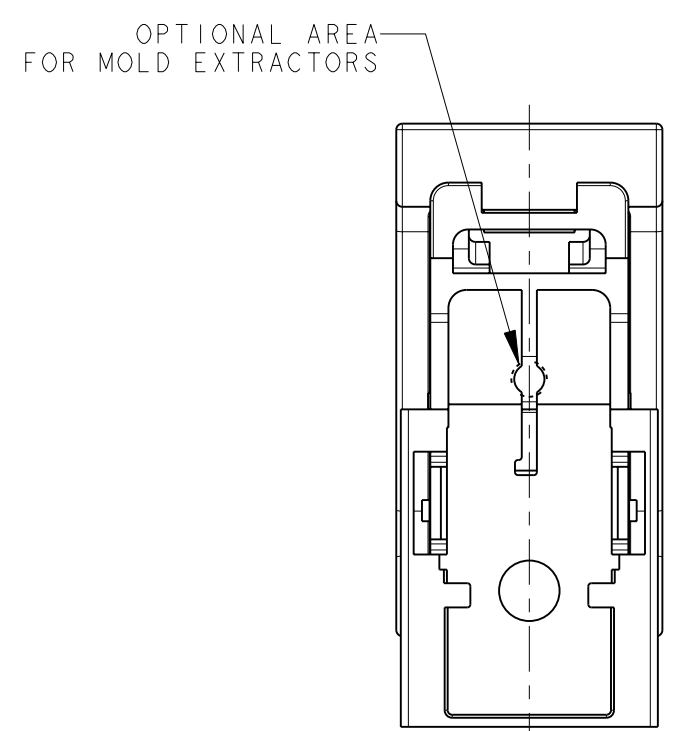
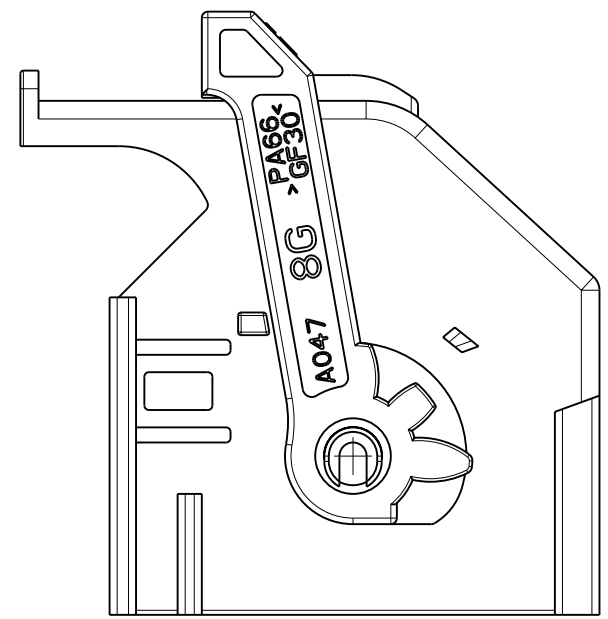


ITEM VOCE	SUB-ITEM SOTTO VOCE	DESCRIPTION DESCRIZIONE	MATERIAL MATERIALE	Q.TY Q.TA'
3	3-1	HOUSING BLOCCHETTO	PA 66 GF13 COLOR BLUE COLORE BLU	1
	3-2	SHORT CIRCUIT SPRING MOLLA DI CORTO CIRCUITO	STAINLESS STEEL ACCIAIO INOX	6



P/N 284223-6

P/N 1-284223-6



P/N 284223-6 AND 1-284223-6 KIT ASS'Y AS SHOWN
P/N 284223-6 E 1-284223-6 KIT COME MOSTRATO

SUITABLE FOR MATING WITH:
 953621 PIN HEADER 24 + 24 POS. -CODE TYPE D-
 1379046 PIN HEADER 24 + 32 POS. -CODE TYPE D-
 1355737 PIN HEADER 24 + 32 POS. -KEY GEOMETRY AD_Ad-

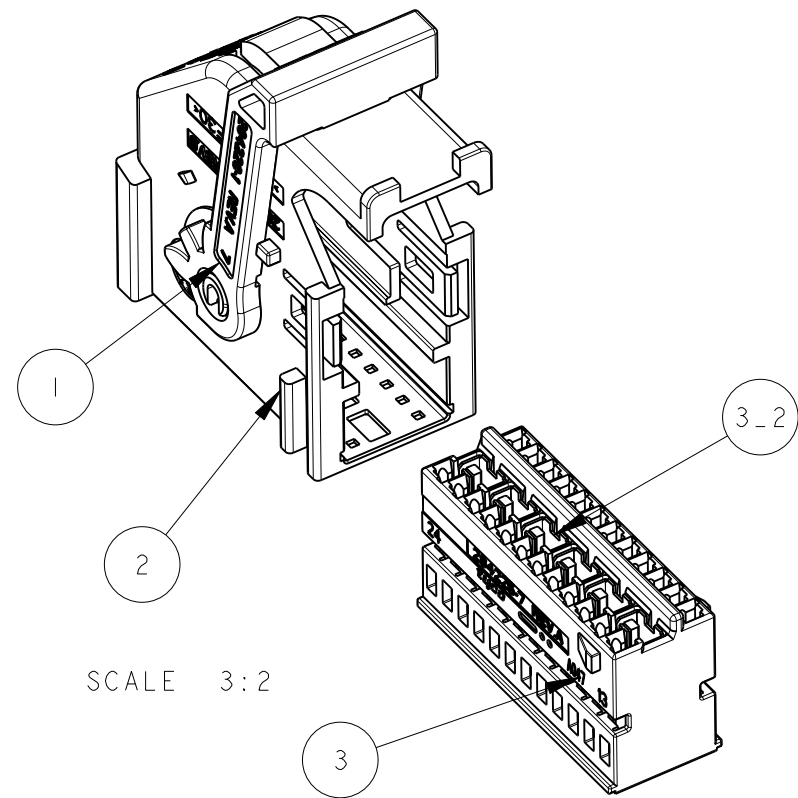
(ADATTI PER ACCOPPIAMENTO CON:
 953621 PIN HEADER 24 + 24 POS. -CODICE TIPO D-
 1379046 PIN HEADER 24 + 32 POS. -CODICE TIPO D-
 1355737 PIN HEADER 24 + 32 POS. -POLARIZZAZIONE GEOMETRICA AD_Ad-)

FOR MISSING DIMENSIONS AND NOTES SEE SHEET 1
 (PER LE DIMENSIONI MANCANTI E LE NOTE VEDERE FOGLIO 1)

THIS DRAWING IS A CONTROLLED DOCUMENT.		DWN P. CASSANDRIN 30NOV98	STE TE Connectivity	
DIMENSIONS: mm		CHK A. GENTA 30NOV98		
TOLERANCES UNLESS OTHERWISE SPECIFIED:		APVD A. BRUNI 30NOV98	NAME 24 POSITIONS AIRBAG CONNECTOR KIT ASS'Y	
0 PLC ±0.3		PRODUCT SPEC 108-20202	SIZE CAGE CODE DRAWING NO RESTRICTED TO	
1 PLC ±0.2		APPLICATION SPEC I.S. 411-20054	A260779C-284223	
2 PLC ±0.2		WEIGHT -	SCALE 2:1 SHEET 5 OF 6 REV B4	
3 PLC ±		CUSTOMER DRAWING		
4 PLC ±				
ANGLES ±				
FINISH				

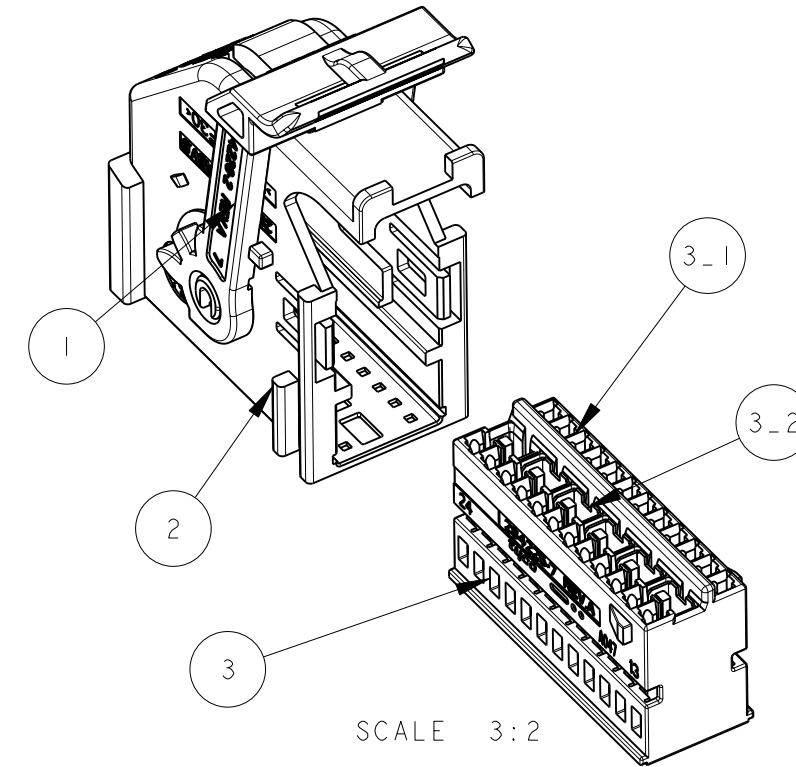
THIS DRAWING IS UNPUBLISHED. RELEASED FOR PUBLICATION 2011
 © COPYRIGHT 2011 Tyco Electronics AMP GmbH ALL RIGHTS RESERVED.

LOC	DIST	REVISIONS			
P	LTR	DESCRIPTION	DATE	DWN	APVD
-	-	SEE SHEET 1	-	-	-



ITEM VOCE	DESCRIPTION DESCRIZIONE	MATERIAL MATERIALE	Q.TY Q.TA'
1	LEVER LEVA	PA 66 GF30 COLOR GREEN COLORE VERDE	1
2	COVER CORAZZA	PA 66 GF30 COLOR WHITE COLORE BIANCO	1
3	RECEPTACLE CONN. ASSEMBLY ASSEM. BLOCCHETTO PORTA FEMMINE	SEE TABLE BELOW VEDI TAVOLA SOTTO	1

ITEM VOCE	SUB-ITEM SOTTO VOCE	DESCRIPTION DESCRIZIONE	MATERIAL MATERIALE	Q.TY Q.TA'
3	3-1	HOUSING BLOCCHETTO	PA 66 GF13 COLOR WHITE COLORE BIANCO	1
	3-2	SHORT CIRCUIT SPRING MOLLA DI CORTO CIRCUITO	STAINLESS STEEL ACCIAIO INOX	6

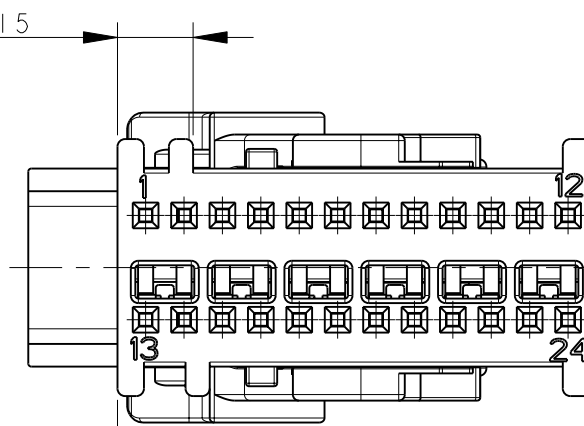
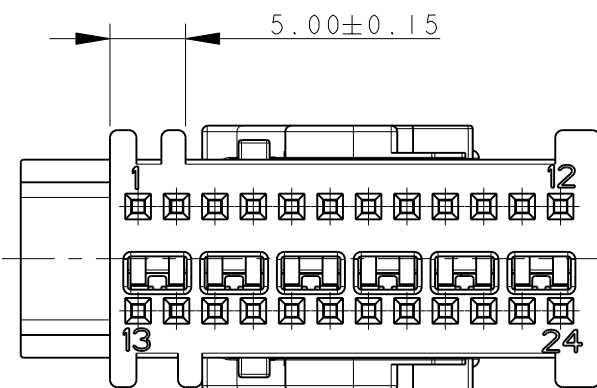


ITEM VOCE	DESCRIPTION DESCRIZIONE	MATERIAL MATERIALE	Q.TY Q.TA'
1	LEVER LEVA	PA 66 GF30 COLOR GREEN COLORE VERDE	1
2	COVER CORAZZA	PA 66 GF30 COLOR WHITE COLORE BIANCO	1
3	RECEPTACLE CONN. ASSEMBLY ASSEM. BLOCCHETTO PORTA FEMMINE	SEE TABLE BELOW VEDI TAVOLA SOTTO	1

ITEM VOCE	SUB-ITEM SOTTO VOCE	DESCRIPTION DESCRIZIONE	MATERIAL MATERIALE	Q.TY Q.TA'
3	3-1	HOUSING BLOCCHETTO	PA 66 GF13 COLOR WHITE COLORE BIANCO	1
	3-2	SHORT CIRCUIT SPRING MOLLA DI CORTO CIRCUITO	STAINLESS STEEL ACCIAIO INOX	6

SCALE 3:2

SCALE 3:2

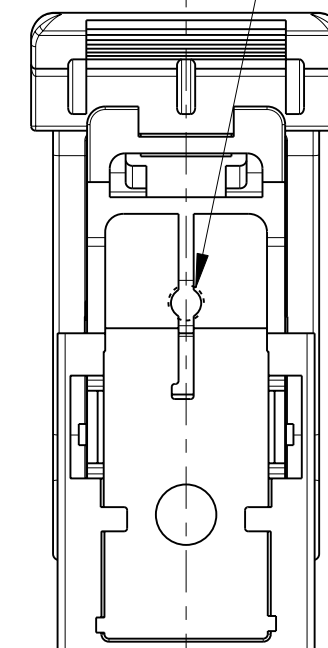
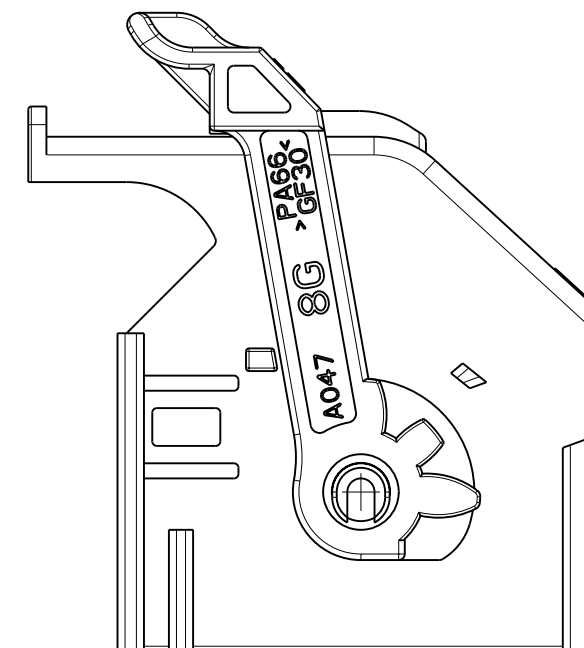
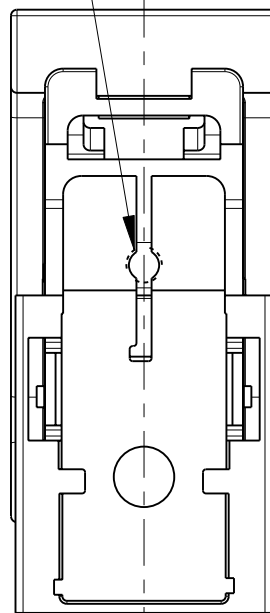
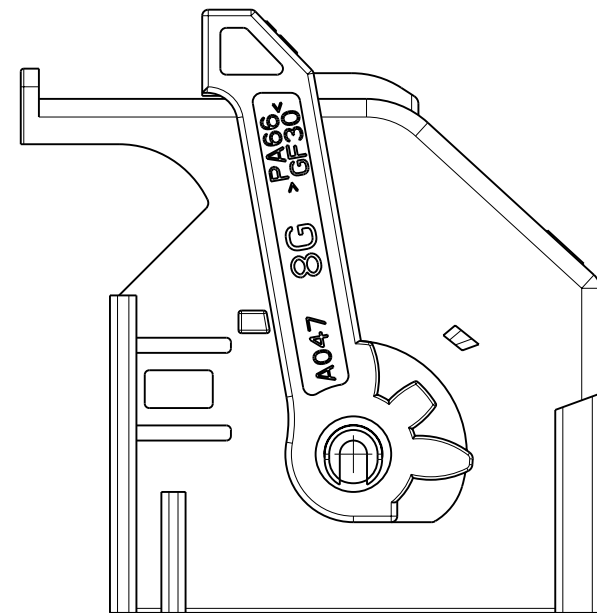


P/N 284223-7

P/N 1-284223-7

OPTIONAL AREA FOR MOLD EXTRACTORS

OPTIONAL AREA FOR MOLD EXTRACTORS



P/N 284223-7 AND 1-284223-7 KIT ASS'Y AS SHOWN
 P/N 284223-7 E 1-284223-7 KIT COME MOSTRATO

SUITABLE FOR MATING WITH:
 1355737 PIN HEADER 24 + 32 POS. -KEY GEOMETRY AD_Ab-

(ADATTI PER ACCOPPIAMENTO CON:
 1355737 PIN HEADER 24 + 32 POS. -POLARIZZAZIONE GEOMETRICA AD_Ab-)

FOR MISSING DIMENSIONS AND NOTES SEE SHEET 1
 (PER LE DIMENSIONI MANCANTI E LE NOTE VEDERE FOGLIO 1)

THIS DRAWING IS A CONTROLLED DOCUMENT.		DWN P. CASSANDRIN 30NOV98	TE Connectivity	
DIMENSIONS: mm		CHK A. GENTA 30NOV98		
TOLERANCES UNLESS OTHERWISE SPECIFIED:		APVD A. BRUNI 30NOV98	NAME 24 POSITIONS AIRBAG CONNECTOR KIT ASS'Y	
0 PLC ±0.3		PRODUCT SPEC 108-20202	SIZE CAGE CODE DRAWING NO RESTRICTED TO	
1 PLC ±0.2		APPLICATION SPEC I.S. 411-20054	A200779C-284223	
2 PLC ±0.2		WEIGHT -	SCALE 2:1 SHEET 6 OF 6 REV B4	
3 PLC ±		CUSTOMER DRAWING		
4 PLC ±				
ANGLES ±				
FINISH				

Компания «Океан Электроники» предлагает заключение долгосрочных отношений при поставках импортных электронных компонентов на взаимовыгодных условиях!

Наши преимущества:

- Поставка оригинальных импортных электронных компонентов напрямую с производств Америки, Европы и Азии, а так же с крупнейших складов мира;
- Широкая линейка поставок активных и пассивных импортных электронных компонентов (более 30 млн. наименований);
- Поставка сложных, дефицитных, либо снятых с производства позиций;
- Оперативные сроки поставки под заказ (от 5 рабочих дней);
- Экспресс доставка в любую точку России;
- Помощь Конструкторского Отдела и консультации квалифицированных инженеров;
- Техническая поддержка проекта, помощь в подборе аналогов, поставка прототипов;
- Поставка электронных компонентов под контролем ВП;
- Система менеджмента качества сертифицирована по Международному стандарту ISO 9001;
- При необходимости вся продукция военного и аэрокосмического назначения проходит испытания и сертификацию в лаборатории (по согласованию с заказчиком);
- Поставка специализированных компонентов военного и аэрокосмического уровня качества (Xilinx, Altera, Analog Devices, Intersil, Interpoint, Microsemi, Actel, Aeroflex, Peregrine, VPT, Syfer, Eurofarad, Texas Instruments, MS Kennedy, Miteq, Cobham, E2V, MA-COM, Hittite, Mini-Circuits, General Dynamics и др.);

Компания «Океан Электроники» является официальным дистрибьютором и эксклюзивным представителем в России одного из крупнейших производителей разъемов военного и аэрокосмического назначения «JONHON», а так же официальным дистрибьютором и эксклюзивным представителем в России производителя высокотехнологичных и надежных решений для передачи СВЧ сигналов «FORSTAR».



JONHON

«JONHON» (основан в 1970 г.)

Разъемы специального, военного и аэрокосмического назначения:

(Применяются в военной, авиационной, аэрокосмической, морской, железнодорожной, горно- и нефтедобывающей отраслях промышленности)

«FORSTAR» (основан в 1998 г.)

ВЧ соединители, коаксиальные кабели,
кабельные сборки и микроволновые компоненты:

(Применяются в телекоммуникациях гражданского и специального назначения, в средствах связи, РЛС, а так же военной, авиационной и аэрокосмической отраслях промышленности).



Телефон: 8 (812) 309-75-97 (многоканальный)

Факс: 8 (812) 320-03-32

Электронная почта: ocean@oceanchips.ru

Web: <http://oceanchips.ru/>

Адрес: 198099, г. Санкт-Петербург, ул. Калинина, д. 2, корп. 4, лит. А