

74LVC74A

Dual D-type flip-flop with set and reset; positive-edge trigger

Rev. 8 — 18 June 2020

Product data sheet

1. General description

The 74LVC74A is a dual edge triggered D-type flip-flop with individual data (nD) inputs, clock (nCP) inputs, set (nSD) and (nRD) inputs, and complementary nQ and nQ outputs.

The set and reset are asynchronous active LOW inputs and operate independently of the clock input. Information on the data input is transferred to the nQ output on the LOW-to-HIGH transition of the clock pulse. The nD inputs must be stable one set-up time prior to the LOW-to-HIGH clock transition, for predictable operation.

Schmitt trigger action at all inputs makes the circuit highly tolerant of slower input rise and fall times.

2. Features and benefits

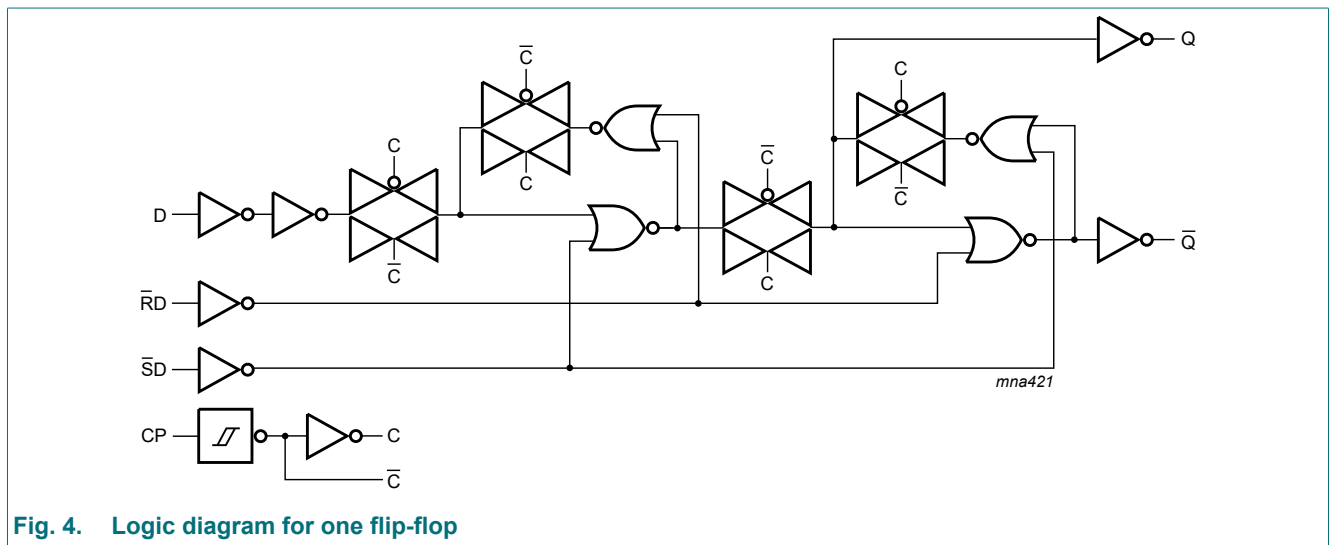
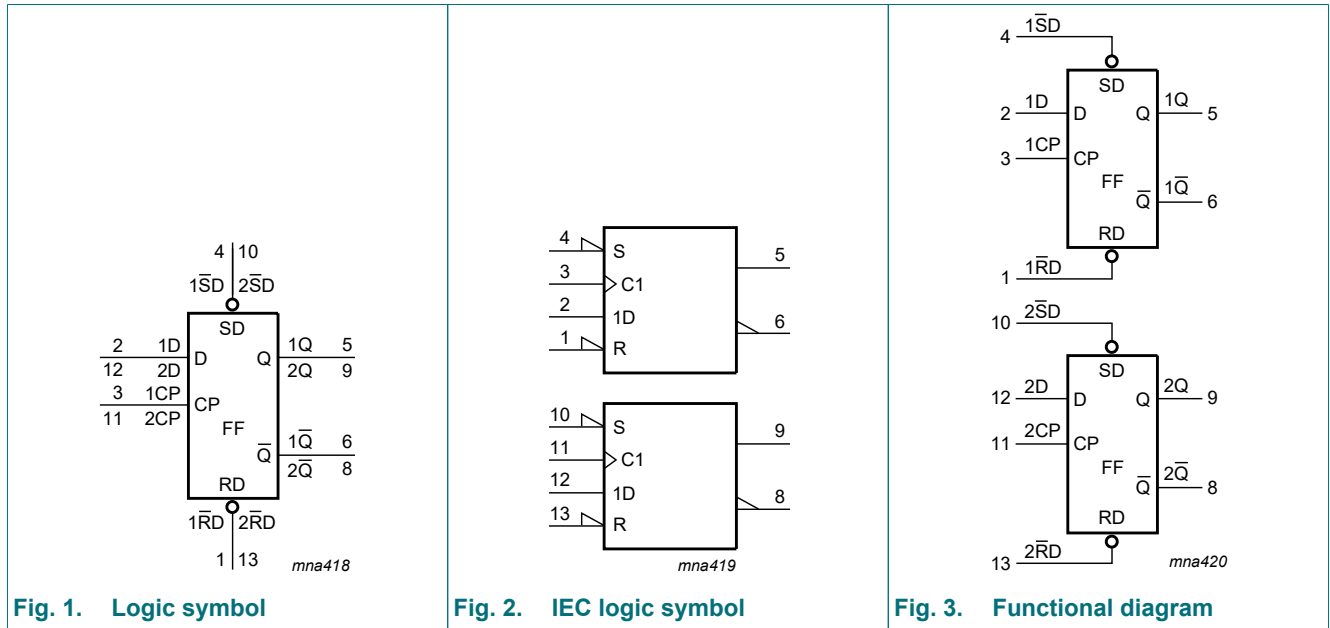
- 5 V tolerant inputs for interlacing with 5 V logic
- Wide supply voltage range from 1.2 V to 3.6 V
- CMOS low power consumption
- Direct interface with TTL levels
- Complies with JEDEC standard:
 - JESD8-7A (1.65 V to 1.95 V)
 - JESD8-5A (2.3 V to 2.7 V)
 - JESD8-C/JESD36 (2.7 V to 3.6 V)
- ESD protection:
 - HBM JESD22-A114F exceeds 2000 V
 - MM JESD22-A115-B exceeds 200 V
 - CDM JESD22-C101E exceeds 1000 V
- Multiple package options
- Specified from -40 °C to +85 °C and -40 °C to +125 °C

3. Ordering information

Table 1. Ordering information

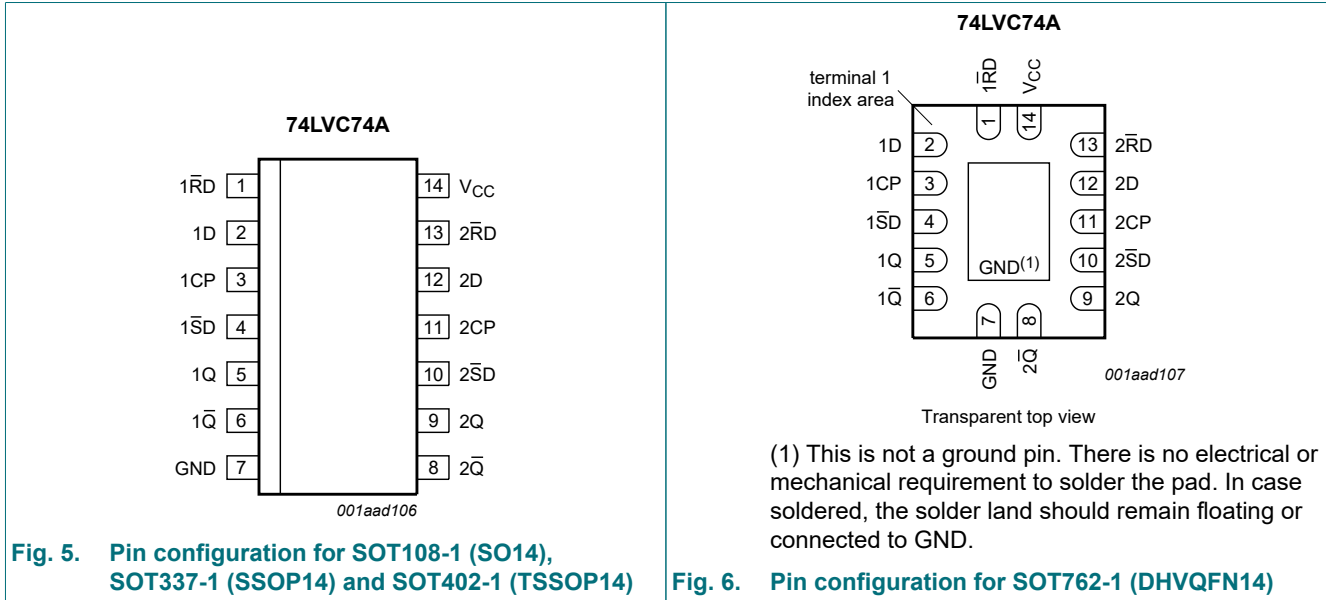
| Type number | Package | | | Version |
|-------------|-------------------|----------|--|----------|
| | Temperature range | Name | Description | |
| 74LVC74AD | -40 °C to +125 °C | SO14 | plastic small outline package; 14 leads; body width 3.9 mm | SOT108-1 |
| 74LVC74ADB | -40 °C to +125 °C | SSOP14 | plastic shrink small outline package; 14 leads; body width 5.3 mm | SOT337-1 |
| 74LVC74APW | -40 °C to +125 °C | TSSOP14 | plastic thin shrink small outline package; 14 leads; body width 4.4 mm | SOT402-1 |
| 74LVC74ABQ | -40 °C to +125 °C | DHVQFN14 | plastic dual in-line compatible thermal enhanced very thin quad flat package; no leads; 14 terminals; body 2.5 × 3 × 0.85 mm | SOT762-1 |

4. Functional diagram



5. Pinning information

5.1. Pinning



5.2. Pin description

Table 2. Pin description

| Symbol | Pin | Description |
|-----------------|-----|--|
| 1RD | 1 | asynchronous reset-direct input (active LOW) |
| 1D | 2 | data input |
| 1CP | 3 | clock input (LOW-to-HIGH, edge-triggered) |
| 1SD | 4 | asynchronous set-direct input (active LOW) |
| 1Q | 5 | true output |
| 1Q̄ | 6 | complement output |
| GND | 7 | ground (0 V) |
| 2Q̄ | 8 | complement output |
| 2Q | 9 | true output |
| 2SD | 10 | asynchronous set-direct input (active LOW) |
| 2CP | 11 | clock input (LOW-to-HIGH, edge-triggered) |
| 2D | 12 | data input |
| 2RD | 13 | asynchronous reset-direct input (active LOW) |
| V _{CC} | 14 | supply voltage |

6. Functional description

Table 3. Function table

H = HIGH voltage level; L = LOW voltage level; X = don't care

| Input | | | | Output | |
|-------|-----|-----|----|--------|-----|
| nSD | nRD | nCP | nD | nQ | nQ̄ |
| L | H | X | X | H | L |
| H | L | X | X | L | H |
| L | L | X | X | H | H |

Table 4. Function table

H = HIGH voltage level; L = LOW voltage level;

↑ = LOW-to-HIGH transition; Q_{n+1} = state after the next LOW-to-HIGH CP transition

| Input | | | | Output | |
|-------|-----|-----|----|-------------------|--------------------|
| nSD | nRD | nCP | nD | nQ _{n+1} | nQ̄ _{n+1} |
| H | H | ↑ | L | L | H |
| H | H | ↑ | H | H | L |

7. Limiting values

Table 5. Limiting values

In accordance with the Absolute Maximum Rating System (IEC 60134). Voltages are referenced to GND (ground = 0 V).

| Symbol | Parameter | Conditions | Min | Max | Unit |
|-----------|-------------------------|-------------------------------------|------|----------------|------|
| V_{CC} | supply voltage | | -0.5 | +6.5 | V |
| I_{IK} | input clamping current | $V_I < 0$ V | -50 | - | mA |
| V_I | input voltage | [1] | -0.5 | +6.5 | V |
| I_{OK} | output clamping current | $V_O > V_{CC}$ or $V_O < 0$ V | - | ±50 | mA |
| V_O | output voltage | [2] | -0.5 | $V_{CC} + 0.5$ | V |
| I_O | output current | $V_O = 0$ V to V_{CC} | - | ±50 | mA |
| I_{CC} | supply current | | - | 100 | mA |
| I_{GND} | ground current | | -100 | - | mA |
| T_{stg} | storage temperature | | -65 | +150 | °C |
| P_{tot} | total power dissipation | $T_{amb} = -40$ °C to $+125$ °C [3] | - | 500 | mW |

[1] The minimum input voltage ratings may be exceeded if the input current ratings are observed.

[2] The output voltage ratings may be exceeded if the output current ratings are observed.

[3] For SOT108-1 (SO14) package: P_{tot} derates linearly with 10.1 mW/K above 100 °C.
 For SOT337-1 (SSOP14) package: P_{tot} derates linearly with 7.3 mW/K above 81 °C.
 For SOT402-1 (TSSOP14) package: P_{tot} derates linearly with 7.3 mW/K above 81 °C.
 For SOT762-1 (DHWQFN14) package: P_{tot} derates linearly with 9.6 mW/K above 98 °C.

8. Recommended operating conditions

Table 6. Recommended operating conditions

| Symbol | Parameter | Conditions | Min | Typ | Max | Unit |
|------------------|-------------------------------------|-----------------------------------|------|-----|-----------------|------|
| V _{CC} | supply voltage | for maximum speed performance | 1.65 | - | 3.6 | V |
| | | for low-voltage applications | 1.2 | - | 3.6 | V |
| V _I | input voltage | | 0 | - | 5.5 | V |
| V _O | output voltage | | 0 | - | V _{CC} | V |
| T _{amb} | ambient temperature | | -40 | - | +125 | °C |
| Δt/ΔV | input transition rise and fall rate | V _{CC} = 1.65 V to 2.7 V | 0 | - | 20 | ns/V |
| | | V _{CC} = 2.7 V to 3.6 V | 0 | - | 10 | ns/V |

9. Static characteristics

Table 7. Static characteristics

At recommended operating conditions. Voltages are referenced to GND (ground = 0 V).

| Symbol | Parameter | Conditions | -40 °C to +85 °C | | | -40 °C to +125 °C | | Unit |
|-----------------|---------------------------|--|-----------------------|--------|----------------------|-----------------------|----------------------|------|
| | | | Min | Typ[1] | Max | Min | Max | |
| V _{IH} | HIGH-level input voltage | V _{CC} = 1.2 V | 1.08 | - | - | 1.08 | - | V |
| | | V _{CC} = 1.65 V to 1.95 V | 0.65xV _{CC} | - | - | 0.65xV _{CC} | - | V |
| | | V _{CC} = 2.3 V to 2.7 V | 1.7 | - | - | 1.7 | - | V |
| | | V _{CC} = 2.7 V to 3.6 V | 2.0 | - | - | 2.0 | - | V |
| V _{IL} | LOW-level input voltage | V _{CC} = 1.2 V | - | - | 0.12 | - | 0.12 | V |
| | | V _{CC} = 1.65 V to 1.95 V | - | - | 0.35xV _{CC} | - | 0.35xV _{CC} | V |
| | | V _{CC} = 2.3 V to 2.7 V | - | - | 0.7 | - | 0.7 | V |
| | | V _{CC} = 2.7 V to 3.6 V | - | - | 0.8 | - | 0.8 | V |
| V _{OH} | HIGH-level output voltage | V _I = V _{IH} or V _{IL} | | | | | | |
| | | I _O = -100 μA; V _{CC} = 1.65 V to 3.6 V | V _{CC} - 0.2 | - | - | V _{CC} - 0.3 | - | V |
| | | I _O = -4 mA; V _{CC} = 1.65 V | 1.2 | - | - | 1.05 | - | V |
| | | I _O = -8 mA; V _{CC} = 2.3 V | 1.8 | - | - | 1.65 | - | V |
| | | I _O = -12 mA; V _{CC} = 2.7 V | 2.2 | - | - | 2.05 | - | V |
| | | I _O = -18 mA; V _{CC} = 3.0 V | 2.4 | - | - | 2.25 | - | V |
| V _{OL} | LOW-level output voltage | V _I = V _{IH} or V _{IL} | | | | | | |
| | | I _O = 100 μA; V _{CC} = 1.65 V to 3.6 V | - | - | 0.2 | - | 0.3 | V |
| | | I _O = 4 mA; V _{CC} = 1.65 V | - | - | 0.45 | - | 0.65 | V |
| | | I _O = 8 mA; V _{CC} = 2.3 V | - | - | 0.6 | - | 0.8 | V |
| | | I _O = 12 mA; V _{CC} = 2.7 V | - | - | 0.4 | - | 0.6 | V |
| I _I | input leakage current | V _{CC} = 3.6 V; V _I = 5.5 V or GND | - | ±0.1 | ±5 | - | ±20 | μA |
| | | V _{CC} = 3.6 V; V _I = V _{CC} or GND; I _O = 0 A | - | 0.1 | 10 | - | 40 | μA |

Dual D-type flip-flop with set and reset; positive-edge trigger

| Symbol | Parameter | Conditions | -40 °C to +85 °C | | | -40 °C to +125 °C | | Unit |
|-----------------|---------------------------|--|------------------|--------|-----|-------------------|------|---------------|
| | | | Min | Typ[1] | Max | Min | Max | |
| ΔI_{CC} | additional supply current | per input pin; $V_{CC} = 2.7 \text{ V to } 3.6 \text{ V};$ $V_I = V_{CC} - 0.6 \text{ V}; I_O = 0 \text{ A}$ | - | 5 | 500 | - | 5000 | μA |
| C_i | input capacitance | $V_{CC} = 0 \text{ V to } 3.6 \text{ V};$ $V_I = \text{GND to } V_{CC}$ | - | 4.0 | - | - | - | pF |

[1] All typical values are measured at $V_{CC} = 3.3 \text{ V}$ (unless stated otherwise) and $T_{amb} = 25 \text{ °C}$.

10. Dynamic characteristics

Table 8. Dynamic characteristics

Voltages are referenced to GND (ground = 0 V). For test circuit see [Fig. 9](#).

| Symbol | Parameter | Conditions | -40 °C to +85 °C | | | -40 °C to +125 °C | | Unit |
|--|-------------------|---|------------------|--------|------|-------------------|------|------|
| | | | Min | Typ[1] | Max | Min | Max | |
| t_{pd} | propagation delay | nCP to nQ, n \bar{Q} ; see Fig. 7 [2] | | | | | | |
| | | $V_{CC} = 1.2 \text{ V}$ | - | 15 | - | - | - | ns |
| | | $V_{CC} = 1.65 \text{ V to } 1.95 \text{ V}$ | 1.0 | 5.0 | 10.3 | 1.0 | 11.9 | ns |
| | | $V_{CC} = 2.3 \text{ V to } 2.7 \text{ V}$ | 1.8 | 2.9 | 5.8 | 1.8 | 6.7 | ns |
| | | $V_{CC} = 2.7 \text{ V}$ | 1.0 | 2.7 | 6.0 | 1.0 | 7.5 | ns |
| | | $V_{CC} = 3.0 \text{ V to } 3.6 \text{ V}$ | 1.0 | 2.6 | 5.2 | 1.0 | 6.5 | ns |
| | | n \bar{S} D to nQ, n \bar{Q} ; see Fig. 8 | | | | | | |
| | | $V_{CC} = 1.2 \text{ V}$ | - | 15 | - | - | - | ns |
| | | $V_{CC} = 1.65 \text{ V to } 1.95 \text{ V}$ | 0.5 | 4.0 | 10.6 | 0.5 | 12.2 | ns |
| | | $V_{CC} = 2.3 \text{ V to } 2.7 \text{ V}$ | 1.0 | 2.4 | 6.1 | 1.0 | 7.1 | ns |
| | | $V_{CC} = 2.7 \text{ V}$ | 1.0 | 2.9 | 6.4 | 1.0 | 8.0 | ns |
| | | $V_{CC} = 3.0 \text{ V to } 3.6 \text{ V}$ | 1.0 | 2.2 | 5.4 | 1.0 | 7.0 | ns |
| | | nRD to nQ, n \bar{Q} ; see Fig. 8 | | | | | | |
| | | $V_{CC} = 1.2 \text{ V}$ | - | 15 | - | - | - | ns |
| | | $V_{CC} = 1.65 \text{ V to } 1.95 \text{ V}$ | 0.5 | 4.1 | 10.7 | 0.5 | 12.4 | ns |
| | | $V_{CC} = 2.3 \text{ V to } 2.7 \text{ V}$ | 1.0 | 2.4 | 6.1 | 1.0 | 7.1 | ns |
| $V_{CC} = 2.7 \text{ V}$ | 1.0 | 3.0 | 6.4 | 1.0 | 8.0 | ns | | |
| $V_{CC} = 3.0 \text{ V to } 3.6 \text{ V}$ | 1.0 | 2.2 | 5.4 | 1.0 | 7.0 | ns | | |
| t_w | pulse width | clock HIGH or LOW; see Fig. 7 | | | | | | |
| | | $V_{CC} = 1.65 \text{ V to } 1.95 \text{ V}$ | 5.0 | - | - | 5.0 | - | ns |
| | | $V_{CC} = 2.3 \text{ V to } 2.7 \text{ V}$ | 4.0 | - | - | 4.0 | - | ns |
| | | $V_{CC} = 2.7 \text{ V}$ | 3.3 | - | - | 4.5 | - | ns |
| | | $V_{CC} = 3.0 \text{ V to } 3.6 \text{ V}$ | 3.3 | 1.3 | - | 4.5 | - | ns |
| | | set or reset LOW; see Fig. 8 | | | | | | |
| | | $V_{CC} = 1.65 \text{ V to } 1.95 \text{ V}$ | 5.0 | - | - | 5.0 | - | ns |
| | | $V_{CC} = 2.3 \text{ V to } 2.7 \text{ V}$ | 4.0 | - | - | 4.0 | - | ns |
| | | $V_{CC} = 2.7 \text{ V}$ | 3.3 | - | - | 4.5 | - | ns |
| $V_{CC} = 3.0 \text{ V to } 3.6 \text{ V}$ | 3.3 | 1.7 | - | 4.5 | - | ns | | |

Dual D-type flip-flop with set and reset; positive-edge trigger

| Symbol | Parameter | Conditions | -40 °C to +85 °C | | | -40 °C to +125 °C | | Unit |
|--------------------|-------------------------------|--------------------------------------|--|--------|-----|-------------------|-----|------|
| | | | Min | Typ[1] | Max | Min | Max | |
| t _{rec} | recovery time | set or reset; see Fig. 8 | | | | | | |
| | | V _{CC} = 1.65 V to 1.95 V | 1.5 | - | - | 1.5 | - | ns |
| | | V _{CC} = 2.3 V to 2.7 V | 1.5 | - | - | 1.5 | - | ns |
| | | V _{CC} = 2.7 V | 1.5 | - | - | 1.0 | - | ns |
| t _{su} | set-up time | nD to nCP; see Fig. 7 | | | | | | |
| | | V _{CC} = 1.65 V to 1.95 V | 3.0 | - | - | 3.0 | - | ns |
| | | V _{CC} = 2.3 V to 2.7 V | 2.5 | - | - | 2.5 | - | ns |
| | | V _{CC} = 2.7 V | 2.2 | - | - | 2.2 | - | ns |
| t _h | hold time | nD to nCP; see Fig. 7 | | | | | | |
| | | V _{CC} = 1.65 V to 1.95 V | 2.0 | - | - | 2.0 | - | ns |
| | | V _{CC} = 2.3 V to 2.7 V | 1.5 | - | - | 1.5 | - | ns |
| | | V _{CC} = 2.7 V | 1.0 | - | - | 1.0 | - | ns |
| f _{max} | maximum frequency | nCP; see Fig. 7 | | | | | | |
| | | V _{CC} = 1.65 V to 1.95 V | 100 | - | - | 80 | - | MHz |
| | | V _{CC} = 2.3 V to 2.7 V | 125 | - | - | 100 | - | MHz |
| | | V _{CC} = 2.7 V | 150 | - | - | 120 | - | MHz |
| t _{sk(o)} | output skew time | V _{CC} = 3.0 V to 3.6 V [3] | - | - | 1.0 | - | 1.5 | ns |
| | | C _{PD} | per flip-flop; V _I = GND to V _{CC} [4] | | | | | |
| | | V _{CC} = 1.65 V to 1.95 V | - | 12.4 | - | - | - | pF |
| | | V _{CC} = 2.3 V to 2.7 V | - | 16.0 | - | - | - | pF |
| C _{PD} | power dissipation capacitance | V _{CC} = 3.0 V to 3.6 V | - | 19.1 | - | - | - | pF |

[1] Typical values are measured at T_{amb} = 25 °C and V_{CC} = 1.2 V, 1.8 V, 2.5 V, 2.7 V and 3.3 V respectively.

[2] t_{pd} is the same as t_{PLH} and t_{PHL}.

[3] Skew between any two outputs of the same package switching in the same direction. This parameter is guaranteed by design.

[4] C_{PD} is used to determine the dynamic power dissipation (P_D in μW).

$$P_D = C_{PD} \times V_{CC}^2 \times f_i \times N + \Sigma(C_L \times V_{CC}^2 \times f_o) \text{ where:}$$

f_i = input frequency in MHz; f_o = output frequency in MHz

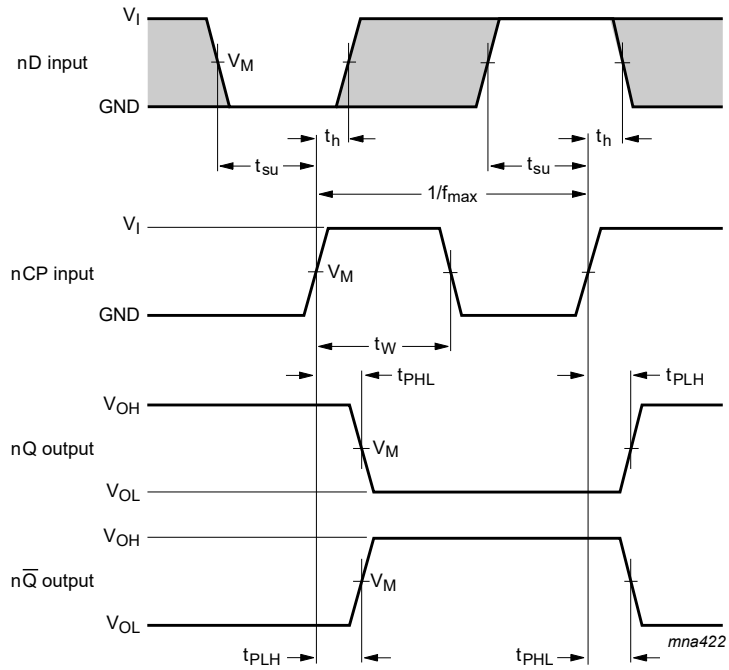
C_L = output load capacitance in pF

V_{CC} = supply voltage in Volts

N = number of inputs switching

Σ(C_L × V_{CC}² × f_o) = sum of the outputs

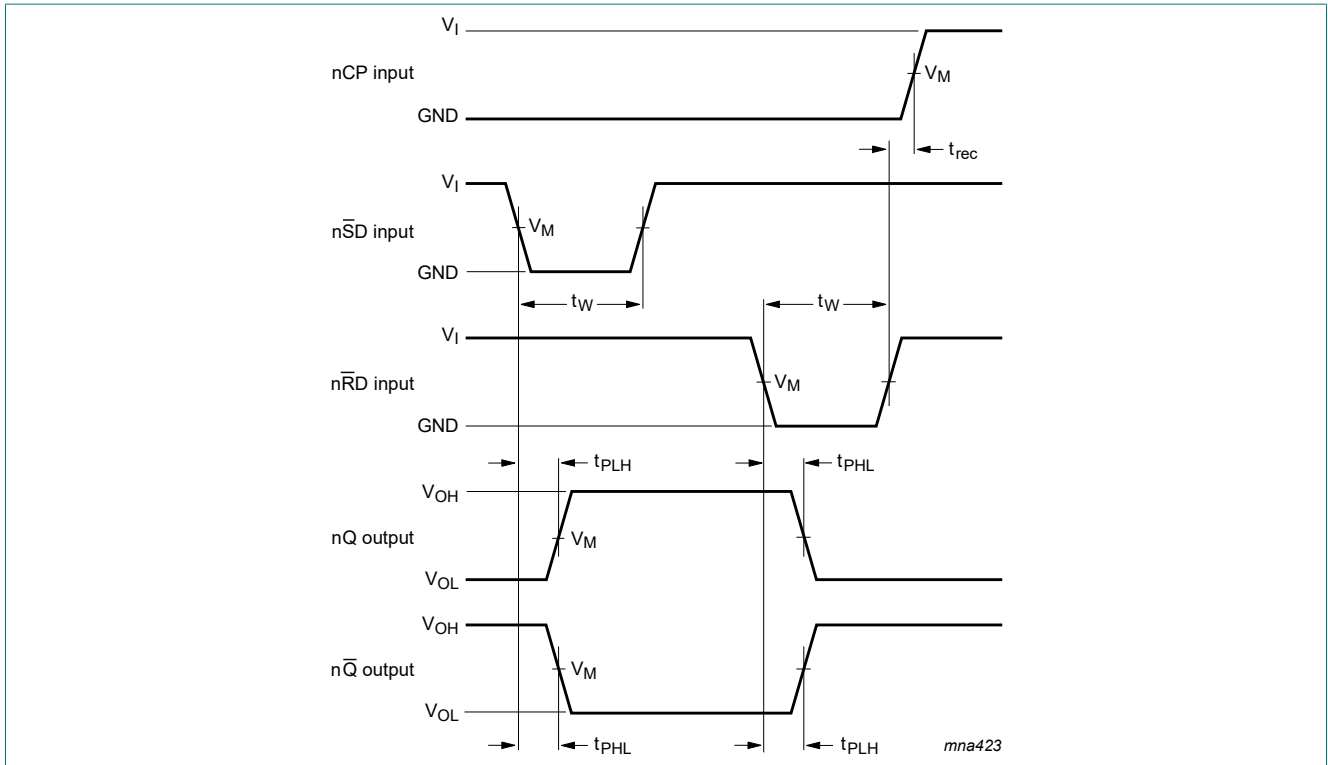
10.1. Waveforms and test circuit



The shaded areas indicate when the input is permitted to change for predictable output performance. Measurement points are given in [Table 9](#). V_{OL} and V_{OH} are typical output voltage levels that occur with the output load.

Fig. 7. The clock input (nCP) to output (nQ, nQ̄) propagation delays, the clock pulse width, the nD to nCP set-up, the nCP to nD hold times, and the maximum frequency

Dual D-type flip-flop with set and reset; positive-edge trigger



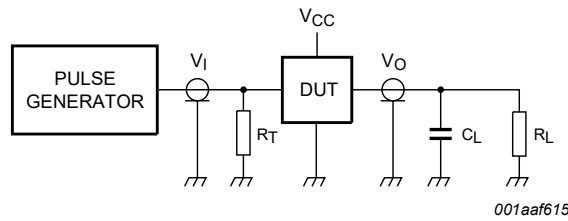
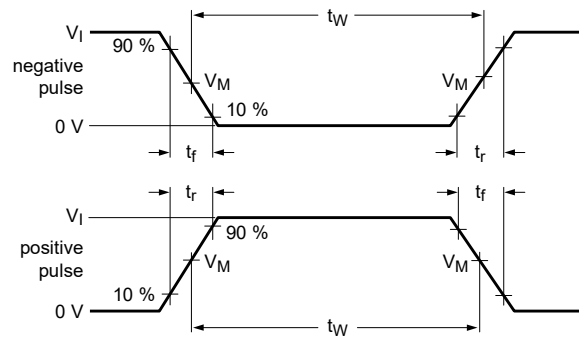
Measurement points are given in [Table 9](#).
 V_{OL} and V_{OH} are typical output voltage levels that occur with the output load.

Fig. 8. The set ($n\overline{SD}$) and reset ($n\overline{RD}$) input to output (nQ , $n\overline{Q}$) propagation delays, the set and reset pulse widths, and the $n\overline{RD}$ to nCP recovery time

Table 9. Measurement points

| Supply voltage | Input | | Output |
|------------------|----------|---------------------|---------------------|
| V_{CC} | V_I | V_M | V_M |
| 1.2 V | V_{CC} | $0.5 \times V_{CC}$ | $0.5 \times V_{CC}$ |
| 1.65 V to 1.95 V | V_{CC} | $0.5 \times V_{CC}$ | $0.5 \times V_{CC}$ |
| 2.3 V to 2.7 V | V_{CC} | $0.5 \times V_{CC}$ | $0.5 \times V_{CC}$ |
| 2.7 V | 2.7 V | 1.5 V | 1.5 V |
| 3.0 V to 3.6 V | 2.7 V | 1.5 V | 1.5 V |

Dual D-type flip-flop with set and reset; positive-edge trigger



001aaf615

Test data is given in [Table 10](#).

Definitions for test circuit:

R_L = Load resistance.

C_L = Load capacitance including jig and probe capacitance.

R_T = Termination resistance should be equal to output impedance Z_o of the pulse generator.

Fig. 9. Test circuit for measuring switching times

Table 10. Test data

| Supply voltage | Input | | Load | |
|------------------|----------|---------------|-------|--------------|
| V_{CC} | V_I | t_r, t_f | C_L | R_L |
| 1.2 V | V_{CC} | ≤ 2 ns | 30 pF | 1 k Ω |
| 1.65 V to 1.95 V | V_{CC} | ≤ 2 ns | 30 pF | 1 k Ω |
| 2.3 V to 2.7 V | V_{CC} | ≤ 2 ns | 30 pF | 500 Ω |
| 2.7 V | 2.7 V | ≤ 2.5 ns | 50 pF | 500 Ω |
| 3.0 V to 3.6 V | 2.7 V | ≤ 2.5 ns | 50 pF | 500 Ω |

11. Package outline

SO14: plastic small outline package; 14 leads; body width 3.9 mm

SOT108-1

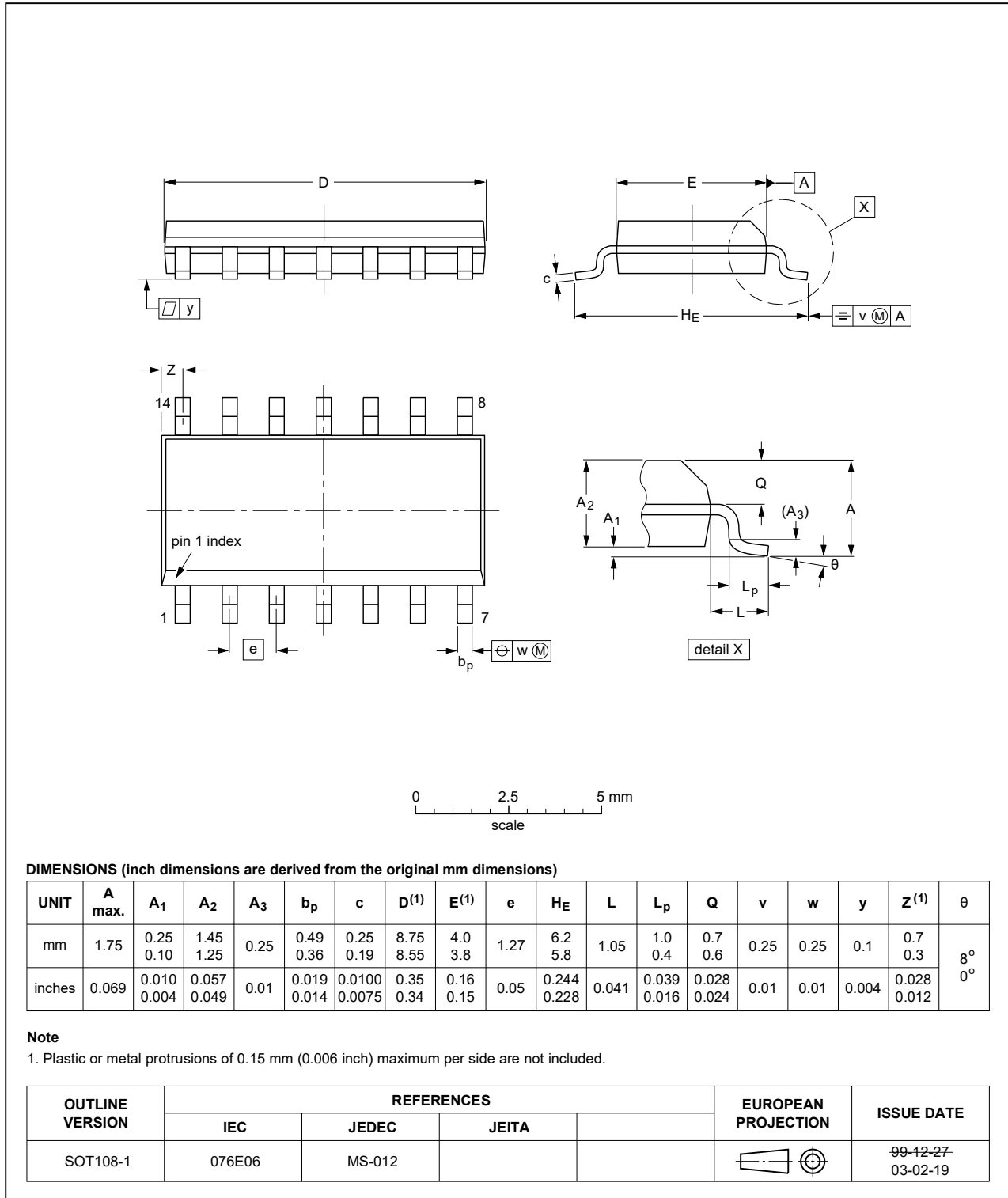


Fig. 10. Package outline SOT108-1 (SO14)

SSOP14: plastic shrink small outline package; 14 leads; body width 5.3 mm

SOT337-1

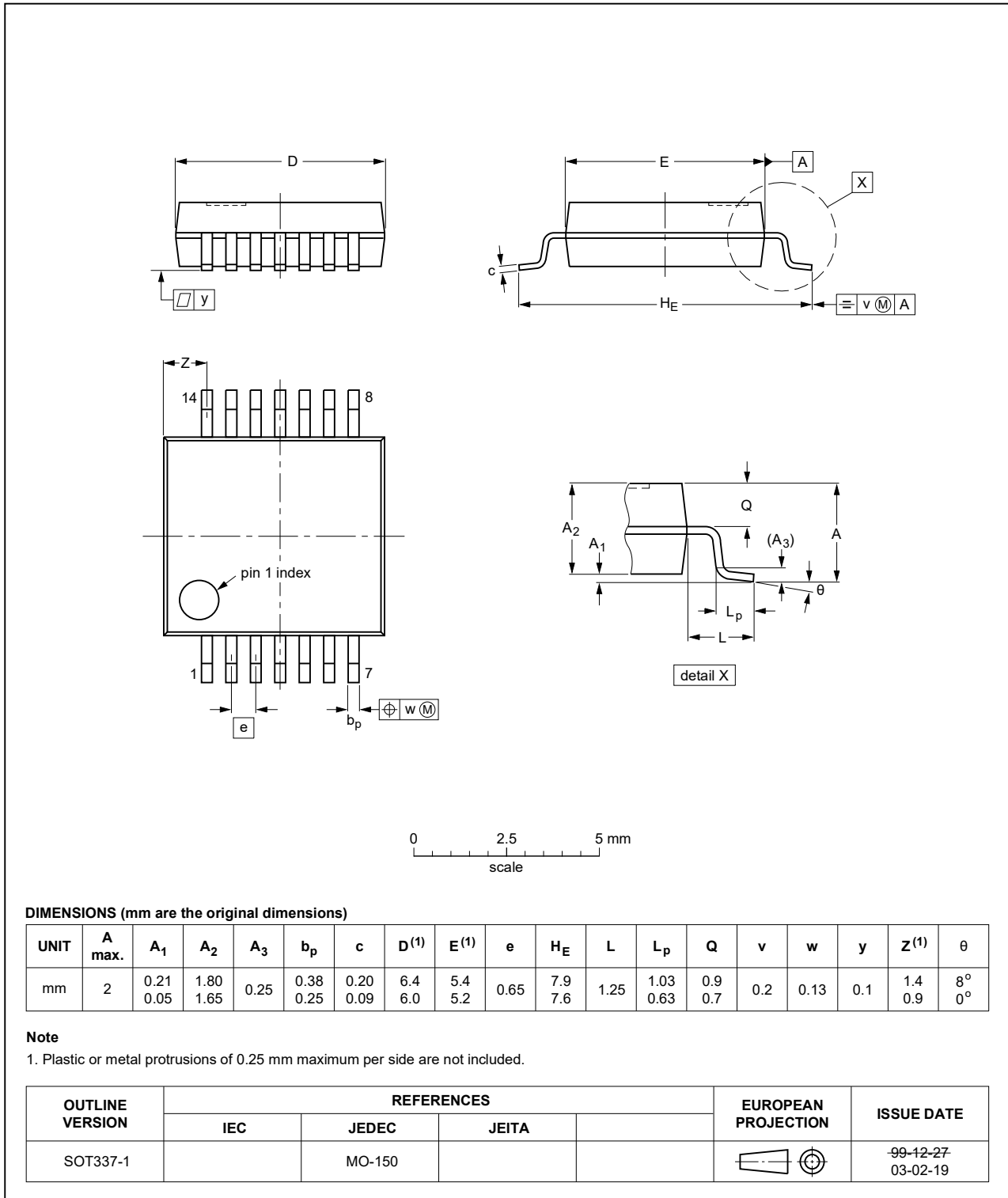


Fig. 11. Package outline SOT337-1 (SSOP14)

TSSOP14: plastic thin shrink small outline package; 14 leads; body width 4.4 mm

SOT402-1



Fig. 12. Package outline SOT402-1 (TSSOP14)

Dual D-type flip-flop with set and reset; positive-edge trigger

DHVQFN14: plastic dual in-line compatible thermal enhanced very thin quad flat package; no leads; 14 terminals; body 2.5 x 3 x 0.85 mm

SOT762-1



Fig. 13. Package outline SOT762-1 (DHVQFN14)

12. Abbreviations

Table 11. Abbreviations

| Acronym | Description |
|---------|---|
| CDM | Charged Device Model |
| CMOS | Complementary Metal-Oxide Semiconductor |
| DUT | Device Under Test |
| ESD | ElectroStatic Discharge |
| HBM | Human Body Model |
| MM | Machine Model |
| TTL | Transistor-Transistor Logic |

13. Revision history

Table 12. Revision history

| Document ID | Release date | Data sheet status | Change notice | Supersedes |
|----------------|---|-----------------------|---------------|--------------|
| 74LVC74A v.8 | 20200618 | Product data sheet | - | 74LVC74A v.7 |
| Modifications: | <ul style="list-style-type: none"> The format of this data sheet has been redesigned to comply with the identity guidelines of Nexperia. Legal texts have been adapted to the new company name where appropriate. Section 1 and Section 2 updated. Table 5: Derating values for P_{tot} total power dissipation have been updated. Table 10 corrected (errata). Package outline drawing of SOT762-1 (Fig. 13) updated. | | | |
| 74LVC74A v.7 | 20121120 | Product data sheet | - | 74LVC74A v.6 |
| Modifications: | <ul style="list-style-type: none"> Table 6, Table 7, Table 8, Table 9 and Table 10: values added for lower voltage ranges. | | | |
| 74LVC74A v.6 | 20070604 | Product data sheet | - | 74LVC74A v.5 |
| 74LVC74A v.5 | 20070525 | Product data sheet | - | 74LVC74A v.4 |
| 74LVC74A v.4 | 20030526 | Product specification | - | 74LVC74A v.3 |
| 74LVC74A v.3 | 20020618 | Product specification | - | 74LVC74A v.2 |
| 74LVC74A v.2 | 19980617 | Product specification | - | 74LVC74A v.1 |
| 74LVC74A v.1 | 19980617 | Product specification | - | - |

14. Legal information

Data sheet status

| Document status [1][2] | Product status [3] | Definition |
|--------------------------------|--------------------|---|
| Objective [short] data sheet | Development | This document contains data from the objective specification for product development. |
| Preliminary [short] data sheet | Qualification | This document contains data from the preliminary specification. |
| Product [short] data sheet | Production | This document contains the product specification. |

- [1] Please consult the most recently issued document before initiating or completing a design.
- [2] The term 'short data sheet' is explained in section "Definitions".
- [3] The product status of device(s) described in this document may have changed since this document was published and may differ in case of multiple devices. The latest product status information is available on the internet at <https://www.nexperia.com>.

Definitions

Draft — The document is a draft version only. The content is still under internal review and subject to formal approval, which may result in modifications or additions. Nexperia does not give any representations or warranties as to the accuracy or completeness of information included herein and shall have no liability for the consequences of use of such information.

Short data sheet — A short data sheet is an extract from a full data sheet with the same product type number(s) and title. A short data sheet is intended for quick reference only and should not be relied upon to contain detailed and full information. For detailed and full information see the relevant full data sheet, which is available on request via the local Nexperia sales office. In case of any inconsistency or conflict with the short data sheet, the full data sheet shall prevail.

Product specification — The information and data provided in a Product data sheet shall define the specification of the product as agreed between Nexperia and its customer, unless Nexperia and customer have explicitly agreed otherwise in writing. In no event however, shall an agreement be valid in which the Nexperia product is deemed to offer functions and qualities beyond those described in the Product data sheet.

Disclaimers

Limited warranty and liability — Information in this document is believed to be accurate and reliable. However, Nexperia does not give any representations or warranties, expressed or implied, as to the accuracy or completeness of such information and shall have no liability for the consequences of use of such information. Nexperia takes no responsibility for the content in this document if provided by an information source outside of Nexperia.

In no event shall Nexperia be liable for any indirect, incidental, punitive, special or consequential damages (including - without limitation - lost profits, lost savings, business interruption, costs related to the removal or replacement of any products or rework charges) whether or not such damages are based on tort (including negligence), warranty, breach of contract or any other legal theory.

Notwithstanding any damages that customer might incur for any reason whatsoever, Nexperia's aggregate and cumulative liability towards customer for the products described herein shall be limited in accordance with the Terms and conditions of commercial sale of Nexperia.

Right to make changes — Nexperia reserves the right to make changes to information published in this document, including without limitation specifications and product descriptions, at any time and without notice. This document supersedes and replaces all information supplied prior to the publication hereof.

Suitability for use — Nexperia products are not designed, authorized or warranted to be suitable for use in life support, life-critical or safety-critical systems or equipment, nor in applications where failure or malfunction of an Nexperia product can reasonably be expected to result in personal

injury, death or severe property or environmental damage. Nexperia and its suppliers accept no liability for inclusion and/or use of Nexperia products in such equipment or applications and therefore such inclusion and/or use is at the customer's own risk.

Quick reference data — The Quick reference data is an extract of the product data given in the Limiting values and Characteristics sections of this document, and as such is not complete, exhaustive or legally binding.

Applications — Applications that are described herein for any of these products are for illustrative purposes only. Nexperia makes no representation or warranty that such applications will be suitable for the specified use without further testing or modification.

Customers are responsible for the design and operation of their applications and products using Nexperia products, and Nexperia accepts no liability for any assistance with applications or customer product design. It is customer's sole responsibility to determine whether the Nexperia product is suitable and fit for the customer's applications and products planned, as well as for the planned application and use of customer's third party customer(s). Customers should provide appropriate design and operating safeguards to minimize the risks associated with their applications and products.

Nexperia does not accept any liability related to any default, damage, costs or problem which is based on any weakness or default in the customer's applications or products, or the application or use by customer's third party customer(s). Customer is responsible for doing all necessary testing for the customer's applications and products using Nexperia products in order to avoid a default of the applications and the products or of the application or use by customer's third party customer(s). Nexperia does not accept any liability in this respect.

Limiting values — Stress above one or more limiting values (as defined in the Absolute Maximum Ratings System of IEC 60134) will cause permanent damage to the device. Limiting values are stress ratings only and (proper) operation of the device at these or any other conditions above those given in the Recommended operating conditions section (if present) or the Characteristics sections of this document is not warranted. Constant or repeated exposure to limiting values will permanently and irreversibly affect the quality and reliability of the device.

Terms and conditions of commercial sale — Nexperia products are sold subject to the general terms and conditions of commercial sale, as published at <http://www.nexperia.com/profile/terms>, unless otherwise agreed in a valid written individual agreement. In case an individual agreement is concluded only the terms and conditions of the respective agreement shall apply. Nexperia hereby expressly objects to applying the customer's general terms and conditions with regard to the purchase of Nexperia products by customer.

No offer to sell or license — Nothing in this document may be interpreted or construed as an offer to sell products that is open for acceptance or the grant, conveyance or implication of any license under any copyrights, patents or other industrial or intellectual property rights.

Export control — This document as well as the item(s) described herein may be subject to export control regulations. Export might require a prior authorization from competent authorities.

Non-automotive qualified products — Unless this data sheet expressly states that this specific Nexperia product is automotive qualified, the product is not suitable for automotive use. It is neither qualified nor tested in accordance with automotive testing or application requirements. Nexperia accepts no liability for inclusion and/or use of non-automotive qualified products in automotive equipment or applications.

In the event that customer uses the product for design-in and use in automotive applications to automotive specifications and standards, customer (a) shall use the product without Nexperia's warranty of the product for such automotive applications, use and specifications, and (b) whenever customer uses the product for automotive applications beyond Nexperia's specifications such use shall be solely at customer's own risk, and (c) customer fully indemnifies Nexperia for any liability, damages or failed product claims resulting from customer design and use of the product for automotive applications beyond Nexperia's standard warranty and Nexperia's product specifications.

Translations — A non-English (translated) version of a document is for reference only. The English version shall prevail in case of any discrepancy between the translated and English versions.

Trademarks

Notice: All referenced brands, product names, service names and trademarks are the property of their respective owners.

Contents

| | |
|--|-----------|
| 1. General description | 1 |
| 2. Features and benefits | 1 |
| 3. Ordering information | 1 |
| 4. Functional diagram | 2 |
| 5. Pinning information | 3 |
| 5.1. Pinning..... | 3 |
| 5.2. Pin description..... | 3 |
| 6. Functional description | 4 |
| 7. Limiting values | 4 |
| 8. Recommended operating conditions | 5 |
| 9. Static characteristics | 5 |
| 10. Dynamic characteristics | 6 |
| 10.1. Waveforms and test circuit..... | 8 |
| 11. Package outline | 11 |
| 12. Abbreviations | 15 |
| 13. Revision history | 15 |
| 14. Legal information | 16 |

© Nexperia B.V. 2020. All rights reserved

For more information, please visit: <http://www.nexperia.com>

For sales office addresses, please send an email to: salesaddresses@nexperia.com

Date of release: 18 June 2020

Компания «Океан Электроники» предлагает заключение долгосрочных отношений при поставках импортных электронных компонентов на взаимовыгодных условиях!

Наши преимущества:

- Поставка оригинальных импортных электронных компонентов напрямую с производств Америки, Европы и Азии, а так же с крупнейших складов мира;
- Широкая линейка поставок активных и пассивных импортных электронных компонентов (более 30 млн. наименований);
- Поставка сложных, дефицитных, либо снятых с производства позиций;
- Оперативные сроки поставки под заказ (от 5 рабочих дней);
- Экспресс доставка в любую точку России;
- Помощь Конструкторского Отдела и консультации квалифицированных инженеров;
- Техническая поддержка проекта, помощь в подборе аналогов, поставка прототипов;
- Поставка электронных компонентов под контролем ВП;
- Система менеджмента качества сертифицирована по Международному стандарту ISO 9001;
- При необходимости вся продукция военного и аэрокосмического назначения проходит испытания и сертификацию в лаборатории (по согласованию с заказчиком);
- Поставка специализированных компонентов военного и аэрокосмического уровня качества (Xilinx, Altera, Analog Devices, Intersil, Interpoint, Microsemi, Actel, Aeroflex, Peregrine, VPT, Syfer, Eurofarad, Texas Instruments, MS Kennedy, Miteq, Cobham, E2V, MA-COM, Hittite, Mini-Circuits, General Dynamics и др.);

Компания «Океан Электроники» является официальным дистрибьютором и эксклюзивным представителем в России одного из крупнейших производителей разъемов военного и аэрокосмического назначения «JONHON», а так же официальным дистрибьютором и эксклюзивным представителем в России производителя высокотехнологичных и надежных решений для передачи СВЧ сигналов «FORSTAR».



JONHON

«JONHON» (основан в 1970 г.)

Разъемы специального, военного и аэрокосмического назначения:

(Применяются в военной, авиационной, аэрокосмической, морской, железнодорожной, горно- и нефтедобывающей отраслях промышленности)

«FORSTAR» (основан в 1998 г.)

ВЧ соединители, коаксиальные кабели,
кабельные сборки и микроволновые компоненты:

(Применяются в телекоммуникациях гражданского и специального назначения, в средствах связи, РЛС, а так же военной, авиационной и аэрокосмической отраслях промышленности).



Телефон: 8 (812) 309-75-97 (многоканальный)

Факс: 8 (812) 320-03-32

Электронная почта: ocean@oceanchips.ru

Web: <http://oceanchips.ru/>

Адрес: 198099, г. Санкт-Петербург, ул. Калинина, д. 2, корп. 4, лит. А