

## 28/40-Pin 8-Bit CMOS FLASH Microcontrollers

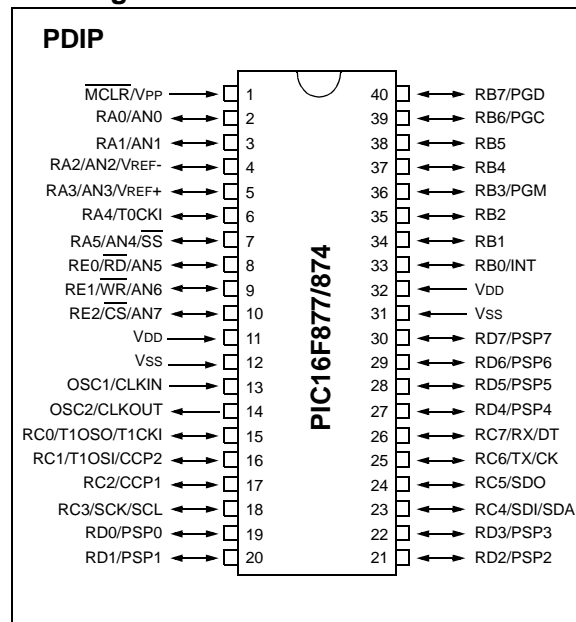
### Devices Included in this Data Sheet:

- PIC16F873                      • PIC16F876
- PIC16F874                      • PIC16F877

### Microcontroller Core Features:

- High performance RISC CPU
- Only 35 single word instructions to learn
- All single cycle instructions except for program branches which are two cycle
- Operating speed: DC - 20 MHz clock input  
DC - 200 ns instruction cycle
- Up to 8K x 14 words of FLASH Program Memory,  
Up to 368 x 8 bytes of Data Memory (RAM)  
Up to 256 x 8 bytes of EEPROM Data Memory
- Pinout compatible to the PIC16C73B/74B/76/77
- Interrupt capability (up to 14 sources)
- Eight level deep hardware stack
- Direct, indirect and relative addressing modes
- Power-on Reset (POR)
- Power-up Timer (PWRT) and  
Oscillator Start-up Timer (OST)
- Watchdog Timer (WDT) with its own on-chip RC  
oscillator for reliable operation
- Programmable code protection
- Power saving SLEEP mode
- Selectable oscillator options
- Low power, high speed CMOS FLASH/EEPROM  
technology
- Fully static design
- In-Circuit Serial Programming™ (ICSP) via two  
pins
- Single 5V In-Circuit Serial Programming capability
- In-Circuit Debugging via two pins
- Processor read/write access to program memory
- Wide operating voltage range: 2.0V to 5.5V
- High Sink/Source Current: 25 mA
- Commercial, Industrial and Extended temperature  
ranges
- Low-power consumption:
  - < 0.6 mA typical @ 3V, 4 MHz
  - 20 µA typical @ 3V, 32 kHz
  - < 1 µA typical standby current

### Pin Diagram



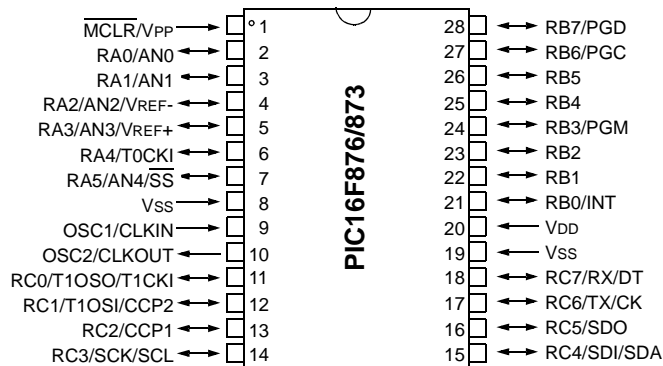
### Peripheral Features:

- Timer0: 8-bit timer/counter with 8-bit prescaler
- Timer1: 16-bit timer/counter with prescaler,  
can be incremented during SLEEP via external  
crystal/clock
- Timer2: 8-bit timer/counter with 8-bit period  
register, prescaler and postscaler
- Two Capture, Compare, PWM modules
  - Capture is 16-bit, max. resolution is 12.5 ns
  - Compare is 16-bit, max. resolution is 200 ns
  - PWM max. resolution is 10-bit
- 10-bit multi-channel Analog-to-Digital converter
- Synchronous Serial Port (SSP) with SPI (Master  
mode) and I<sup>2</sup>C™ (Master/Slave)
- Universal Synchronous Asynchronous Receiver  
Transmitter (USART/SCI) with 9-bit address  
detection
- Parallel Slave Port (PSP) 8-bits wide, with  
external  $\overline{RD}$ ,  $\overline{WR}$  and  $\overline{CS}$  controls (40/44-pin only)
- Brown-out detection circuitry for  
Brown-out Reset (BOR)

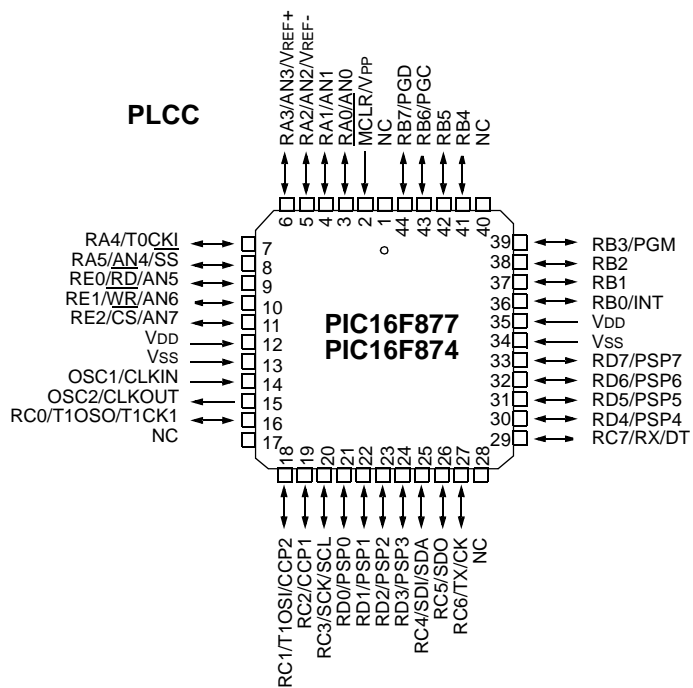
# PIC16F87X

## Pin Diagrams

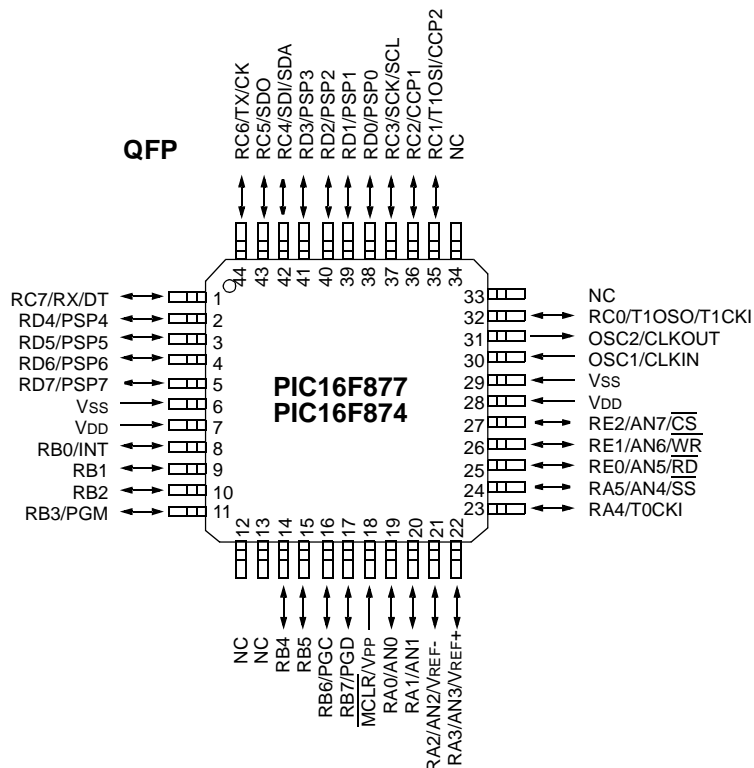
### PDIP, SOIC



### PLCC



### QFP



| <b>Key Features<br/>PIC® MCU Mid-Range Reference<br/>Manual (DS33023)</b> | <b>PIC16F873</b>        | <b>PIC16F874</b>        | <b>PIC16F876</b>        | <b>PIC16F877</b>        |
|---|-------------------------|-------------------------|-------------------------|-------------------------|
| Operating Frequency   | DC - 20 MHz             | DC - 20 MHz             | DC - 20 MHz             | DC - 20 MHz             |
| RESETS (and Delays)   | POR, BOR<br>(PWRT, OST) | POR, BOR<br>(PWRT, OST) | POR, BOR<br>(PWRT, OST) | POR, BOR<br>(PWRT, OST) |
| FLASH Program Memory<br>(14-bit words)                                    | 4K                      | 4K                      | 8K                      | 8K                      |
| Data Memory (bytes)   | 192                     | 192                     | 368                     | 368                     |
| EEPROM Data Memory  | 128                     | 128                     | 256                     | 256                     |
| Interrupts  | 13                      | 14                      | 13                      | 14                      |
| I/O Ports   | Ports A,B,C             | Ports A,B,C,D,E         | Ports A,B,C             | Ports A,B,C,D,E         |
| Timers  | 3                       | 3                       | 3                       | 3                       |
| Capture/Compare/PWM Modules   | 2                       | 2                       | 2                       | 2                       |
| Serial Communications   | MSSP, USART             | MSSP, USART             | MSSP, USART             | MSSP, USART             |
| Parallel Communications   | —                       | PSP                     | —                       | PSP                     |
| 10-bit Analog-to-Digital Module   | 5 input channels        | 8 input channels        | 5 input channels        | 8 input channels        |
| Instruction Set   | 35 instructions         | 35 instructions         | 35 instructions         | 35 instructions         |

# PIC16F87X

## Table of Contents

|      |   |     |
|------|---|-----|
| 1.0  | Device Overview .....   | 5   |
| 2.0  | Memory Organization.....  | 11  |
| 3.0  | I/O Ports.....  | 29  |
| 4.0  | Data EEPROM and FLASH Program Memory.....   | 41  |
| 5.0  | Timer0 Module .....   | 47  |
| 6.0  | Timer1 Module .....   | 51  |
| 7.0  | Timer2 Module .....   | 55  |
| 8.0  | Capture/Compare/PWM Modules .....   | 57  |
| 9.0  | Master Synchronous Serial Port (MSSP) Module.....                                 | 65  |
| 10.0 | Addressable Universal Synchronous Asynchronous Receiver Transmitter (USART) ..... | 95  |
| 11.0 | Analog-to-Digital Converter (A/D) Module.....                                     | 111 |
| 12.0 | Special Features of the CPU.....  | 119 |
| 13.0 | Instruction Set Summary.....  | 135 |
| 14.0 | Development Support .....   | 143 |
| 15.0 | Electrical Characteristics.....   | 149 |
| 16.0 | DC and AC Characteristics Graphs and Tables.....                                  | 177 |
| 17.0 | Packaging Information .....   | 189 |
|      | Appendix A: Revision History .....  | 197 |
|      | Appendix B: Device Differences .....  | 197 |
|      | Appendix C: Conversion Considerations .....                                       | 198 |
|      | Index .....   | 199 |
|      | On-Line Support.....  | 207 |
|      | Reader Response .....   | 208 |
|      | PIC16F87X Product Identification System .....                                     | 209 |

## TO OUR VALUED CUSTOMERS

It is our intention to provide our valued customers with the best documentation possible to ensure successful use of your Microchip products. To this end, we will continue to improve our publications to better suit your needs. Our publications will be refined and enhanced as new volumes and updates are introduced.

If you have any questions or comments regarding this publication, please contact the Marketing Communications Department via E-mail at [docerrors@mail.microchip.com](mailto:docerrors@mail.microchip.com) or fax the **Reader Response Form** in the back of this data sheet to (480) 792-4150. We welcome your feedback.

### Most Current Data Sheet

To obtain the most up-to-date version of this data sheet, please register at our Worldwide Web site at:

<http://www.microchip.com>

You can determine the version of a data sheet by examining its literature number found on the bottom outside corner of any page. The last character of the literature number is the version number, (e.g., DS30000A is version A of document DS30000).

### Errata

An errata sheet, describing minor operational differences from the data sheet and recommended workarounds, may exist for current devices. As device/documentation issues become known to us, we will publish an errata sheet. The errata will specify the revision of silicon and revision of document to which it applies.

To determine if an errata sheet exists for a particular device, please check with one of the following:

- Microchip's Worldwide Web site; <http://www.microchip.com>
- Your local Microchip sales office (see last page)
- The Microchip Corporate Literature Center; U.S. FAX: (480) 792-7277

When contacting a sales office or the literature center, please specify which device, revision of silicon and data sheet (include literature number) you are using.

### Customer Notification System

Register on our web site at [www.microchip.com/cn](http://www.microchip.com/cn) to receive the most current information on all of our products.

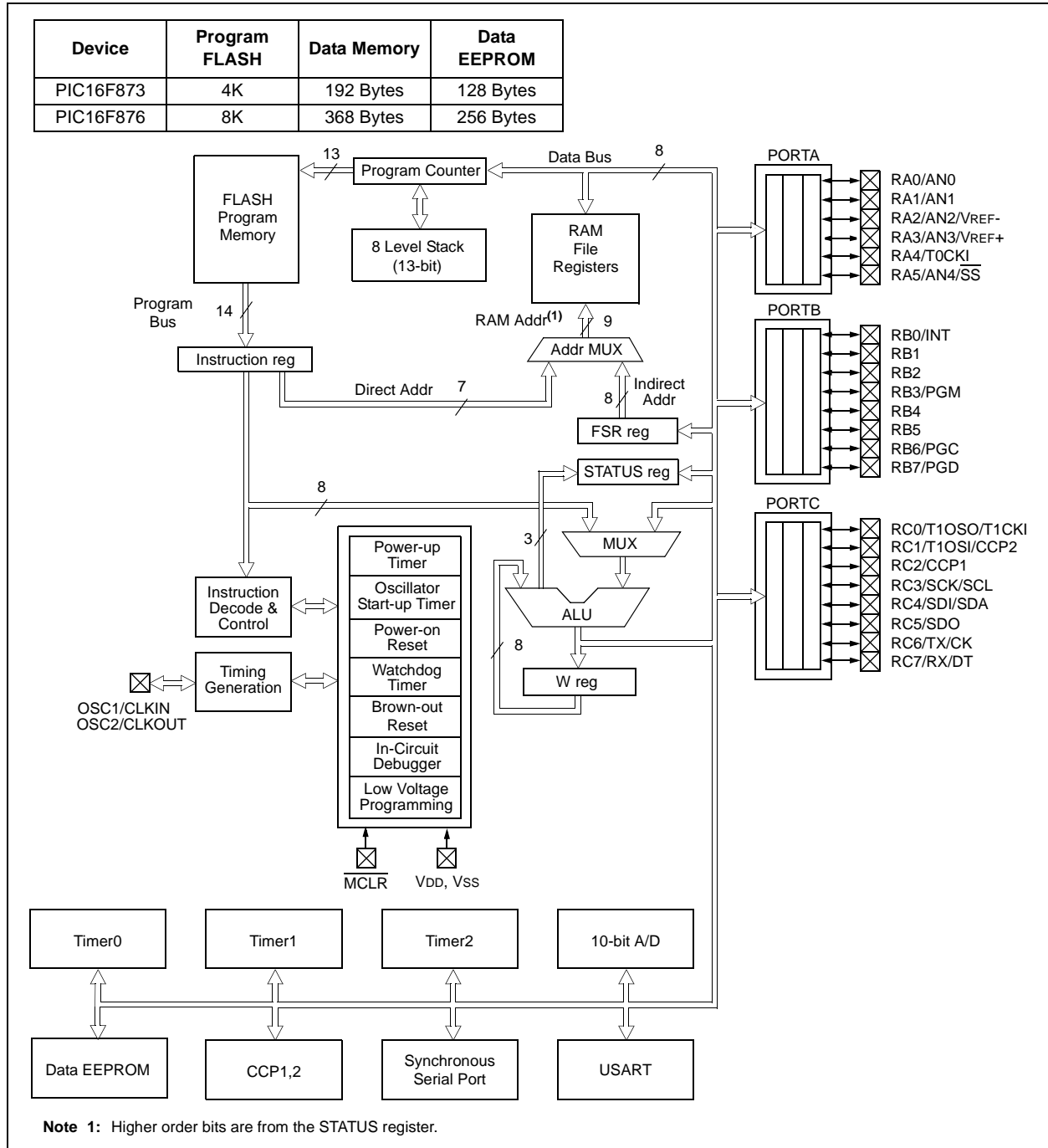
## 1.0 DEVICE OVERVIEW

This document contains device specific information. Additional information may be found in the PIC® MCU Mid-Range Reference Manual (DS33023), which may be obtained from your local Microchip Sales Representative or downloaded from the Microchip website. The Reference Manual should be considered a complementary document to this data sheet, and is highly recommended reading for a better understanding of the device architecture and operation of the peripheral modules.

There are four devices (PIC16F873, PIC16F874, PIC16F876 and PIC16F877) covered by this data sheet. The PIC16F876/873 devices come in 28-pin packages and the PIC16F877/874 devices come in 40-pin packages. The Parallel Slave Port is not implemented on the 28-pin devices.

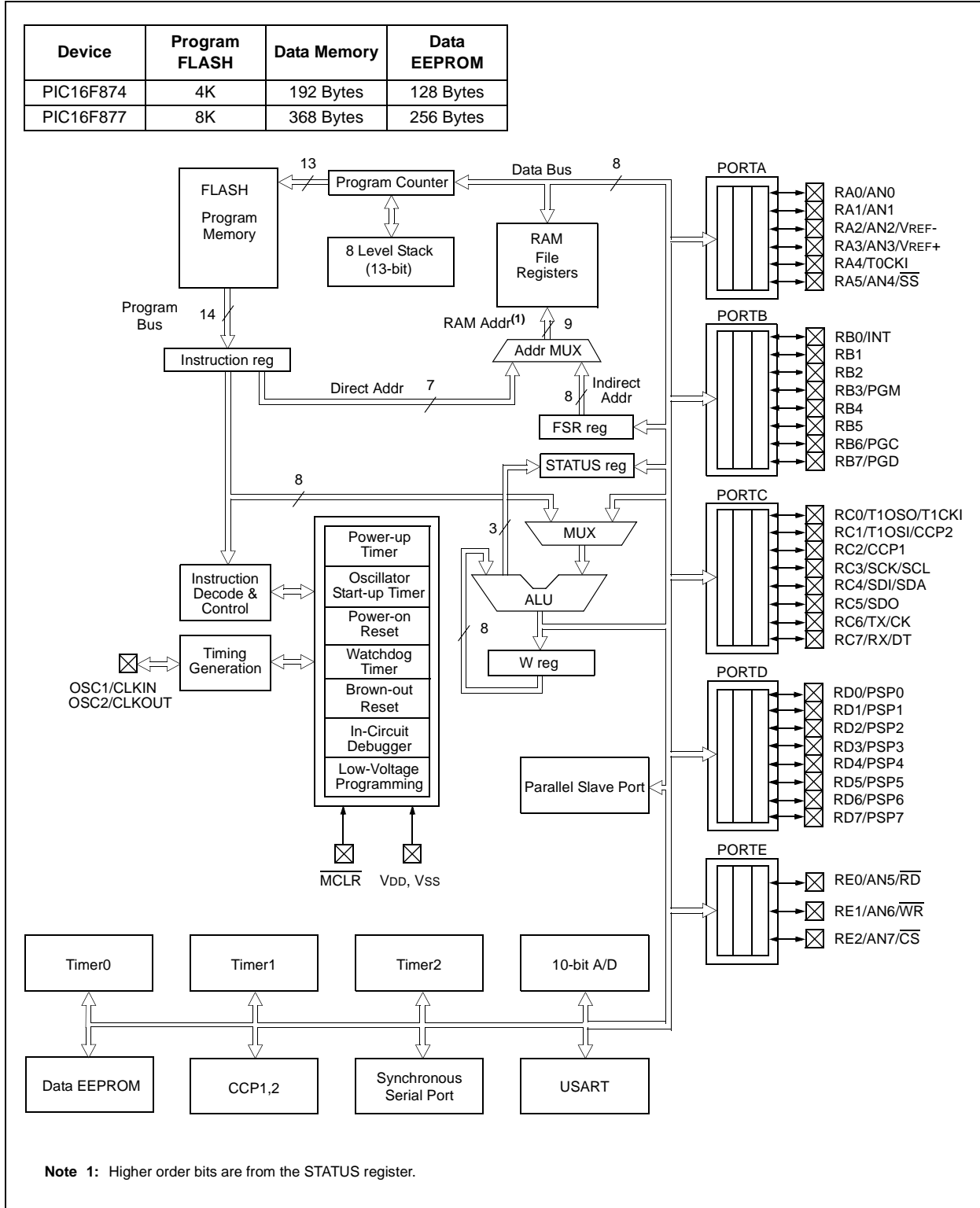
The following device block diagrams are sorted by pin number; 28-pin for Figure 1-1 and 40-pin for Figure 1-2. The 28-pin and 40-pin pinouts are listed in Table 1-1 and Table 1-2, respectively.

**FIGURE 1-1: PIC16F873 AND PIC16F876 BLOCK DIAGRAM**



# PIC16F87X

FIGURE 1-2: PIC16F874 AND PIC16F877 BLOCK DIAGRAM



**TABLE 1-1: PIC16F873 AND PIC16F876 PINOUT DESCRIPTION**

| Pin Name        | DIP Pin# | SOIC Pin# | I/O/P Type | Buffer Type            | Description  |
|-----------------|----------|-----------|------------|------------------------|--|
| OSC1/CLKIN      | 9        | 9         | I          | ST/CMOS <sup>(3)</sup> | Oscillator crystal input/external clock source input.  |
| OSC2/CLKOUT     | 10       | 10        | O          | —                      | Oscillator crystal output. Connects to crystal or resonator in crystal oscillator mode. In RC mode, the OSC2 pin outputs CLKOUT which has 1/4 the frequency of OSC1, and denotes the instruction cycle rate.   |
| MCLR/VPP        | 1        | 1         | I/P        | ST                     | Master Clear (Reset) input or programming voltage input. This pin is an active low RESET to the device.  |
| RA0/AN0         | 2        | 2         | I/O        | TTL                    | PORTA is a bi-directional I/O port.<br>RA0 can also be analog input0.<br>RA1 can also be analog input1.<br>RA2 can also be analog input2 or negative analog reference voltage.<br>RA3 can also be analog input3 or positive analog reference voltage.<br>RA4 can also be the clock input to the Timer0 module. Output is open drain type.<br>RA5 can also be analog input4 or the slave select for the synchronous serial port.  |
| RA1/AN1         | 3        | 3         | I/O        | TTL                    |  |
| RA2/AN2/VREF-   | 4        | 4         | I/O        | TTL                    |  |
| RA3/AN3/VREF+   | 5        | 5         | I/O        | TTL                    |  |
| RA4/T0CKI       | 6        | 6         | I/O        | ST                     |  |
| RA5/SS/AN4      | 7        | 7         | I/O        | TTL                    |  |
| RB0/INT         | 21       | 21        | I/O        | TTL/ST <sup>(1)</sup>  | PORTB is a bi-directional I/O port. PORTB can be software programmed for internal weak pull-up on all inputs.<br>RB0 can also be the external interrupt pin.<br><br>RB3 can also be the low voltage programming input.<br>Interrupt-on-change pin.<br>Interrupt-on-change pin.<br>Interrupt-on-change pin or In-Circuit Debugger pin. Serial programming clock.<br>Interrupt-on-change pin or In-Circuit Debugger pin. Serial programming data.  |
| RB1             | 22       | 22        | I/O        | TTL                    |  |
| RB2             | 23       | 23        | I/O        | TTL                    |  |
| RB3/PGM         | 24       | 24        | I/O        | TTL                    |  |
| RB4             | 25       | 25        | I/O        | TTL                    |  |
| RB5             | 26       | 26        | I/O        | TTL                    |  |
| RB6/PGC         | 27       | 27        | I/O        | TTL/ST <sup>(2)</sup>  |  |
| RB7/PGD         | 28       | 28        | I/O        | TTL/ST <sup>(2)</sup>  |  |
| RC0/T1OSO/T1CKI | 11       | 11        | I/O        | ST                     | PORTC is a bi-directional I/O port.<br>RC0 can also be the Timer1 oscillator output or Timer1 clock input.<br>RC1 can also be the Timer1 oscillator input or Capture2 input/Compare2 output/PWM2 output.<br>RC2 can also be the Capture1 input/Compare1 output/PWM1 output.<br>RC3 can also be the synchronous serial clock input/output for both SPI and I <sup>2</sup> C modes.<br>RC4 can also be the SPI Data In (SPI mode) or data I/O (I <sup>2</sup> C mode).<br>RC5 can also be the SPI Data Out (SPI mode).<br>RC6 can also be the USART Asynchronous Transmit or Synchronous Clock.<br>RC7 can also be the USART Asynchronous Receive or Synchronous Data. |
| RC1/T1OSI/CCP2  | 12       | 12        | I/O        | ST                     |  |
| RC2/CCP1        | 13       | 13        | I/O        | ST                     |  |
| RC3/SCK/SCL     | 14       | 14        | I/O        | ST                     |  |
| RC4/SDI/SDA     | 15       | 15        | I/O        | ST                     |  |
| RC5/SDO         | 16       | 16        | I/O        | ST                     |  |
| RC6/TX/CK       | 17       | 17        | I/O        | ST                     |  |
| RC7/RX/DT       | 18       | 18        | I/O        | ST                     |  |
| VSS             | 8, 19    | 8, 19     | P          | —                      | Ground reference for logic and I/O pins.   |
| VDD             | 20       | 20        | P          | —                      | Positive supply for logic and I/O pins.  |

Legend: I = input    O = output    I/O = input/output    P = power  
 — = Not used    TTL = TTL input    ST = Schmitt Trigger input

**Note 1:** This buffer is a Schmitt Trigger input when configured as the external interrupt.  
**Note 2:** This buffer is a Schmitt Trigger input when used in Serial Programming mode.  
**Note 3:** This buffer is a Schmitt Trigger input when configured in RC oscillator mode and a CMOS input otherwise.

# PIC16F87X

**TABLE 1-2: PIC16F874 AND PIC16F877 PINOUT DESCRIPTION**

| Pin Name                  | DIP Pin# | PLCC Pin# | QFP Pin# | I/O/P Type | Buffer Type            | Description  |
|---------------------------|----------|-----------|----------|------------|------------------------|--|
| OSC1/CLKIN                | 13       | 14        | 30       | I          | ST/CMOS <sup>(4)</sup> | Oscillator crystal input/external clock source input.  |
| OSC2/CLKOUT               | 14       | 15        | 31       | O          | —                      | Oscillator crystal output. Connects to crystal or resonator in crystal oscillator mode. In RC mode, OSC2 pin outputs CLKOUT which has 1/4 the frequency of OSC1, and denotes the instruction cycle rate.   |
| MCLR/VPP                  | 1        | 2         | 18       | I/P        | ST                     | Master Clear (Reset) input or programming voltage input. This pin is an active low RESET to the device.  |
| RA0/AN0                   | 2        | 3         | 19       | I/O        | TTL                    | <p>PORTA is a bi-directional I/O port.</p> <p>RA0 can also be analog input0.</p> <p>RA1 can also be analog input1.</p> <p>RA2 can also be analog input2 or negative analog reference voltage.</p> <p>RA3 can also be analog input3 or positive analog reference voltage.</p> <p>RA4 can also be the clock input to the Timer0 timer/counter. Output is open drain type.</p> <p>RA5 can also be analog input4 or the slave select for the synchronous serial port.</p>      |
| RA1/AN1                   | 3        | 4         | 20       | I/O        | TTL                    |  |
| RA2/AN2/VREF-             | 4        | 5         | 21       | I/O        | TTL                    |  |
| RA3/AN3/VREF+             | 5        | 6         | 22       | I/O        | TTL                    |  |
| RA4/TOCKI                 | 6        | 7         | 23       | I/O        | ST                     |  |
| RA5/ $\overline{SS}$ /AN4 | 7        | 8         | 24       | I/O        | TTL                    |  |
| RB0/INT                   | 33       | 36        | 8        | I/O        | TTL/ST <sup>(1)</sup>  | <p>PORTB is a bi-directional I/O port. PORTB can be software programmed for internal weak pull-up on all inputs.</p> <p>RB0 can also be the external interrupt pin.</p> <p>RB3 can also be the low voltage programming input.</p> <p>Interrupt-on-change pin.</p> <p>Interrupt-on-change pin.</p> <p>Interrupt-on-change pin or In-Circuit Debugger pin. Serial programming clock.</p> <p>Interrupt-on-change pin or In-Circuit Debugger pin. Serial programming data.</p> |
| RB1                       | 34       | 37        | 9        | I/O        | TTL                    |  |
| RB2                       | 35       | 38        | 10       | I/O        | TTL                    |  |
| RB3/PGM                   | 36       | 39        | 11       | I/O        | TTL                    |  |
| RB4                       | 37       | 41        | 14       | I/O        | TTL                    |  |
| RB5                       | 38       | 42        | 15       | I/O        | TTL                    |  |
| RB6/PGC                   | 39       | 43        | 16       | I/O        | TTL/ST <sup>(2)</sup>  |  |
| RB7/PGD                   | 40       | 44        | 17       | I/O        | TTL/ST <sup>(2)</sup>  |  |

Legend: I = input      O = output      I/O = input/output      P = power  
 — = Not used      TTL = TTL input      ST = Schmitt Trigger input

- Note 1:** This buffer is a Schmitt Trigger input when configured as an external interrupt.  
**Note 2:** This buffer is a Schmitt Trigger input when used in Serial Programming mode.  
**Note 3:** This buffer is a Schmitt Trigger input when configured as general purpose I/O and a TTL input when used in the Parallel Slave Port mode (for interfacing to a microprocessor bus).  
**Note 4:** This buffer is a Schmitt Trigger input when configured in RC oscillator mode and a CMOS input otherwise.



**TABLE 1-2: PIC16F874 AND PIC16F877 PINOUT DESCRIPTION (CONTINUED)**

| Pin Name                         | DIP Pin# | PLCC Pin#  | QFP Pin#    | I/O/P Type | Buffer Type           | Description  |
|----------------------------------|----------|------------|-------------|------------|-----------------------|--|
| RC0/T1OSO/T1CKI                  | 15       | 16         | 32          | I/O        | ST                    | PORTC is a bi-directional I/O port.<br>RC0 can also be the Timer1 oscillator output or a Timer1 clock input.<br>RC1 can also be the Timer1 oscillator input or Capture2 input/Compare2 output/PWM2 output.<br>RC2 can also be the Capture1 input/Compare1 output/PWM1 output.<br>RC3 can also be the synchronous serial clock input/output for both SPI and I <sup>2</sup> C modes.<br>RC4 can also be the SPI Data In (SPI mode) or data I/O (I <sup>2</sup> C mode).<br>RC5 can also be the SPI Data Out (SPI mode).<br>RC6 can also be the USART Asynchronous Transmit or Synchronous Clock.<br>RC7 can also be the USART Asynchronous Receive or Synchronous Data. |
| RC1/T1OSI/CCP2                   | 16       | 18         | 35          | I/O        | ST                    |  |
| RC2/CCP1                         | 17       | 19         | 36          | I/O        | ST                    |  |
| RC3/SCK/SCL                      | 18       | 20         | 37          | I/O        | ST                    |  |
| RC4/SDI/SDA                      | 23       | 25         | 42          | I/O        | ST                    |  |
| RC5/SDO                          | 24       | 26         | 43          | I/O        | ST                    |  |
| RC6/TX/CK                        | 25       | 27         | 44          | I/O        | ST                    |  |
| RC7/RX/DT                        | 26       | 29         | 1           | I/O        | ST                    |  |
| RD0/PSP0                         | 19       | 21         | 38          | I/O        | ST/TTL <sup>(3)</sup> | PORTD is a bi-directional I/O port or parallel slave port when interfacing to a microprocessor bus.  |
| RD1/PSP1                         | 20       | 22         | 39          | I/O        | ST/TTL <sup>(3)</sup> |  |
| RD2/PSP2                         | 21       | 23         | 40          | I/O        | ST/TTL <sup>(3)</sup> |  |
| RD3/PSP3                         | 22       | 24         | 41          | I/O        | ST/TTL <sup>(3)</sup> |  |
| RD4/PSP4                         | 27       | 30         | 2           | I/O        | ST/TTL <sup>(3)</sup> |  |
| RD5/PSP5                         | 28       | 31         | 3           | I/O        | ST/TTL <sup>(3)</sup> |  |
| RD6/PSP6                         | 29       | 32         | 4           | I/O        | ST/TTL <sup>(3)</sup> |  |
| RD7/PSP7                         | 30       | 33         | 5           | I/O        | ST/TTL <sup>(3)</sup> |  |
| RE0/ $\overline{\text{RD}}$ /AN5 | 8        | 9          | 25          | I/O        | ST/TTL <sup>(3)</sup> | PORTE is a bi-directional I/O port.<br>RE0 can also be read control for the parallel slave port, or analog input5.<br>RE1 can also be write control for the parallel slave port, or analog input6.<br>RE2 can also be select control for the parallel slave port, or analog input7.  |
| RE1/ $\overline{\text{WR}}$ /AN6 | 9        | 10         | 26          | I/O        | ST/TTL <sup>(3)</sup> |  |
| RE2/ $\overline{\text{CS}}$ /AN7 | 10       | 11         | 27          | I/O        | ST/TTL <sup>(3)</sup> |  |
| VSS                              | 12,31    | 13,34      | 6,29        | P          | —                     | Ground reference for logic and I/O pins.   |
| VDD                              | 11,32    | 12,35      | 7,28        | P          | —                     | Positive supply for logic and I/O pins.  |
| NC                               | —        | 1,17,28,40 | 12,13,33,34 |            | —                     | These pins are not internally connected. These pins should be left unconnected.  |

Legend: I = input    O = output    I/O = input/output    P = power  
 — = Not used    TTL = TTL input    ST = Schmitt Trigger input

- Note 1:** This buffer is a Schmitt Trigger input when configured as an external interrupt.  
**2:** This buffer is a Schmitt Trigger input when used in Serial Programming mode.  
**3:** This buffer is a Schmitt Trigger input when configured as general purpose I/O and a TTL input when used in the Parallel Slave Port mode (for interfacing to a microprocessor bus).  
**4:** This buffer is a Schmitt Trigger input when configured in RC oscillator mode and a CMOS input otherwise.

# PIC16F87X

---

NOTES:

## 2.0 MEMORY ORGANIZATION

There are three memory blocks in each of the PIC16F87X MCUs. The Program Memory and Data Memory have separate buses so that concurrent access can occur and is detailed in this section. The EEPROM data memory block is detailed in Section 4.0.

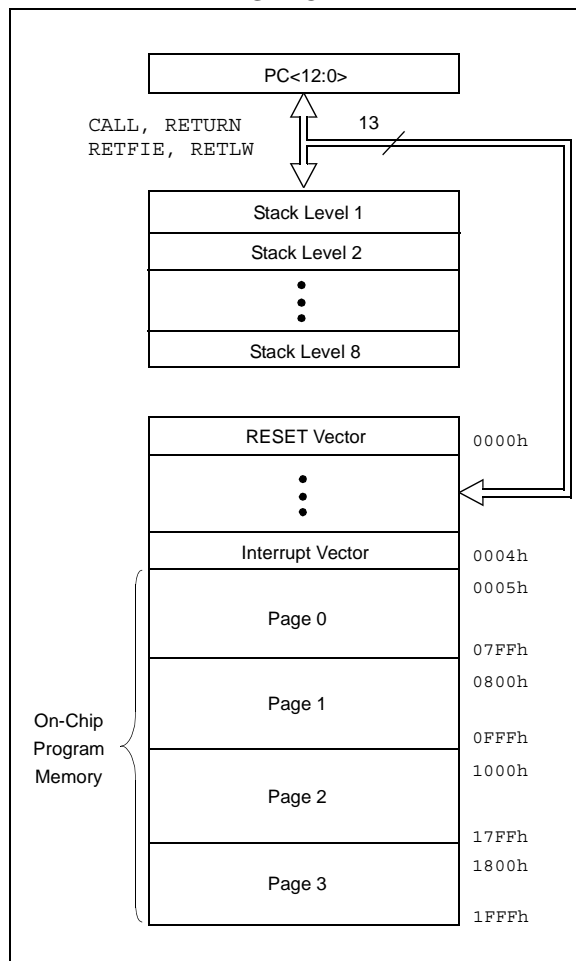
Additional information on device memory may be found in the PIC® MCU Mid-Range Reference Manual, (DS33023).

## 2.1 Program Memory Organization

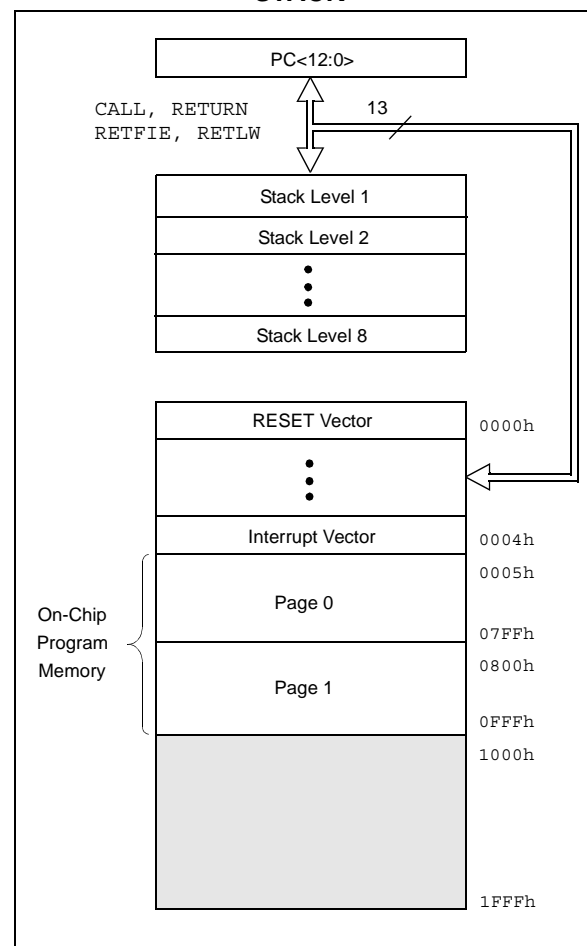
The PIC16F87X devices have a 13-bit program counter capable of addressing an 8K x 14 program memory space. The PIC16F877/876 devices have 8K x 14 words of FLASH program memory, and the PIC16F873/874 devices have 4K x 14. Accessing a location above the physically implemented address will cause a wraparound.

The RESET vector is at 0000h and the interrupt vector is at 0004h.

**FIGURE 2-1: PIC16F877/876 PROGRAM MEMORY MAP AND STACK**



**FIGURE 2-2: PIC16F874/873 PROGRAM MEMORY MAP AND STACK**



# PIC16F87X

---

## 2.2 Data Memory Organization

The data memory is partitioned into multiple banks which contain the General Purpose Registers and the Special Function Registers. Bits RP1 (STATUS<6>) and RP0 (STATUS<5>) are the bank select bits.

| RP1:RP0 | Bank |
|---------|------|
| 00      | 0    |
| 01      | 1    |
| 10      | 2    |
| 11      | 3    |

Each bank extends up to 7Fh (128 bytes). The lower locations of each bank are reserved for the Special Function Registers. Above the Special Function Registers are General Purpose Registers, implemented as static RAM. All implemented banks contain Special Function Registers. Some frequently used Special Function Registers from one bank may be mirrored in another bank for code reduction and quicker access.

**Note:** EEPROM Data Memory description can be found in Section 4.0 of this data sheet.

### 2.2.1 GENERAL PURPOSE REGISTER FILE

The register file can be accessed either directly, or indirectly through the File Select Register (FSR).

**FIGURE 2-3: PIC16F877/876 REGISTER FILE MAP**

| File Address                         |     | File Address                         |            | File Address                         |              | File Address                         |              |
|--------------------------------------|-----|--------------------------------------|------------|--------------------------------------|--------------|--------------------------------------|--------------|
| Indirect addr. <sup>(*)</sup>        | 00h | Indirect addr. <sup>(*)</sup>        | 80h        | Indirect addr. <sup>(*)</sup>        | 100h         | Indirect addr. <sup>(*)</sup>        | 180h         |
| TMR0                                 | 01h | OPTION_REG                           | 81h        | TMR0                                 | 101h         | OPTION_REG                           | 181h         |
| PCL                                  | 02h | PCL                                  | 82h        | PCL                                  | 102h         | PCL                                  | 182h         |
| STATUS                               | 03h | STATUS                               | 83h        | STATUS                               | 103h         | STATUS                               | 183h         |
| FSR                                  | 04h | FSR                                  | 84h        | FSR                                  | 104h         | FSR                                  | 184h         |
| PORTA                                | 05h | TRISA                                | 85h        |                                      | 105h         |                                      | 185h         |
| PORTB                                | 06h | TRISB                                | 86h        | PORTB                                | 106h         | TRISB                                | 186h         |
| PORTC                                | 07h | TRISC                                | 87h        |                                      | 107h         |                                      | 187h         |
| PORTD <sup>(1)</sup>                 | 08h | TRISD <sup>(1)</sup>                 | 88h        |                                      | 108h         |                                      | 188h         |
| PORTE <sup>(1)</sup>                 | 09h | TRISE <sup>(1)</sup>                 | 89h        |                                      | 109h         |                                      | 189h         |
| PCLATH                               | 0Ah | PCLATH                               | 8Ah        | PCLATH                               | 10Ah         | PCLATH                               | 18Ah         |
| INTCON                               | 0Bh | INTCON                               | 8Bh        | INTCON                               | 10Bh         | INTCON                               | 18Bh         |
| PIR1                                 | 0Ch | PIE1                                 | 8Ch        | EEDATA                               | 10Ch         | EECON1                               | 18Ch         |
| PIR2                                 | 0Dh | PIE2                                 | 8Dh        | EEADR                                | 10Dh         | EECON2                               | 18Dh         |
| TMR1L                                | 0Eh | PCON                                 | 8Eh        | EEDATH                               | 10Eh         | Reserved <sup>(2)</sup>              | 18Eh         |
| TMR1H                                | 0Fh |                                      | 8Fh        | EEADRH                               | 10Fh         | Reserved <sup>(2)</sup>              | 18Fh         |
| T1CON                                | 10h |                                      | 90h        |                                      | 110h         |                                      | 190h         |
| TMR2                                 | 11h | SSPCON2                              | 91h        |                                      | 111h         |                                      | 191h         |
| T2CON                                | 12h | PR2                                  | 92h        |                                      | 112h         |                                      | 192h         |
| SSPBUF                               | 13h | SSPADD                               | 93h        |                                      | 113h         |                                      | 193h         |
| SSPCON                               | 14h | SSPSTAT                              | 94h        |                                      | 114h         |                                      | 194h         |
| CCPR1L                               | 15h |                                      | 95h        |                                      | 115h         |                                      | 195h         |
| CCPR1H                               | 16h |                                      | 96h        |                                      | 116h         |                                      | 196h         |
| CCP1CON                              | 17h |                                      | 97h        | General Purpose Register<br>16 Bytes | 117h         | General Purpose Register<br>16 Bytes | 197h         |
| RCSTA                                | 18h | TXSTA                                | 98h        |                                      | 118h         |                                      | 198h         |
| TXREG                                | 19h | SPBRG                                | 99h        |                                      | 119h         |                                      | 199h         |
| RCREG                                | 1Ah |                                      | 9Ah        |                                      | 11Ah         |                                      | 19Ah         |
| CCPR2L                               | 1Bh |                                      | 9Bh        |                                      | 11Bh         |                                      | 19Bh         |
| CCPR2H                               | 1Ch |                                      | 9Ch        |                                      | 11Ch         |                                      | 19Ch         |
| CCP2CON                              | 1Dh |                                      | 9Dh        |                                      | 11Dh         |                                      | 19Dh         |
| ADRESH                               | 1Eh | ADRESL                               | 9Eh        |                                      | 11Eh         |                                      | 19Eh         |
| ADCON0                               | 1Fh | ADCON1                               | 9Fh        |                                      | 11Fh         |                                      | 19Fh         |
|                                      | 20h |                                      | A0h        |                                      | 120h         |                                      | 1A0h         |
| General Purpose Register<br>96 Bytes |     | General Purpose Register<br>80 Bytes |            | General Purpose Register<br>80 Bytes |              | General Purpose Register<br>80 Bytes |              |
|                                      |     | accesses<br>70h-7Fh                  | EFh<br>F0h | accesses<br>70h-7Fh                  | 16Fh<br>170h | accesses<br>70h - 7Fh                | 1EFh<br>1F0h |
| Bank 0                               | 7Fh | Bank 1                               | FFh        | Bank 2                               | 17Fh         | Bank 3                               | 1FFh         |

Unimplemented data memory locations, read as '0'.  
 \* Not a physical register.

**Note 1:** These registers are not implemented on the PIC16F876.  
**Note 2:** These registers are reserved, maintain these registers clear.

# PIC16F87X

**FIGURE 2-4: PIC16F874/873 REGISTER FILE MAP**

| File Address                         |     | File Address                         |     | File Address                  |              | File Address                  |              |
|--------------------------------------|-----|--------------------------------------|-----|-------------------------------|--------------|-------------------------------|--------------|
| Indirect addr. <sup>(*)</sup>        | 00h | Indirect addr. <sup>(*)</sup>        | 80h | Indirect addr. <sup>(*)</sup> | 100h         | Indirect addr. <sup>(*)</sup> | 180h         |
| TMR0                                 | 01h | OPTION_REG                           | 81h | TMR0                          | 101h         | OPTION_REG                    | 181h         |
| PCL                                  | 02h | PCL                                  | 82h | PCL                           | 102h         | PCL                           | 182h         |
| STATUS                               | 03h | STATUS                               | 83h | STATUS                        | 103h         | STATUS                        | 183h         |
| FSR                                  | 04h | FSR                                  | 84h | FSR                           | 104h         | FSR                           | 184h         |
| PORTA                                | 05h | TRISA                                | 85h |                               | 105h         |                               | 185h         |
| PORTB                                | 06h | TRISB                                | 86h | PORTB                         | 106h         | TRISB                         | 186h         |
| PORTC                                | 07h | TRISC                                | 87h |                               | 107h         |                               | 187h         |
| PORTD <sup>(1)</sup>                 | 08h | TRISD <sup>(1)</sup>                 | 88h |                               | 108h         |                               | 188h         |
| PORTE <sup>(1)</sup>                 | 09h | TRISE <sup>(1)</sup>                 | 89h |                               | 109h         |                               | 189h         |
| PCLATH                               | 0Ah | PCLATH                               | 8Ah | PCLATH                        | 10Ah         | PCLATH                        | 18Ah         |
| INTCON                               | 0Bh | INTCON                               | 8Bh | INTCON                        | 10Bh         | INTCON                        | 18Bh         |
| PIR1                                 | 0Ch | PIE1                                 | 8Ch | EEDATA                        | 10Ch         | EECON1                        | 18Ch         |
| PIR2                                 | 0Dh | PIE2                                 | 8Dh | EEADR                         | 10Dh         | EECON2                        | 18Dh         |
| TMR1L                                | 0Eh | PCON                                 | 8Eh | EEDATH                        | 10Eh         | Reserved <sup>(2)</sup>       | 18Eh         |
| TMR1H                                | 0Fh |                                      | 8Fh | EEADRH                        | 10Fh         | Reserved <sup>(2)</sup>       | 18Fh         |
| T1CON                                | 10h |                                      | 90h |                               | 110h         |                               | 190h         |
| TMR2                                 | 11h | SSPCON2                              | 91h |                               |              |                               |              |
| T2CON                                | 12h | PR2                                  | 92h |                               |              |                               |              |
| SSPBUF                               | 13h | SSPADD                               | 93h |                               |              |                               |              |
| SSPCON                               | 14h | SSPSTAT                              | 94h |                               |              |                               |              |
| CCPR1L                               | 15h |                                      | 95h |                               |              |                               |              |
| CCPR1H                               | 16h |                                      | 96h |                               |              |                               |              |
| CCP1CON                              | 17h |                                      | 97h |                               |              |                               |              |
| RCSTA                                | 18h | TXSTA                                | 98h |                               |              |                               |              |
| TXREG                                | 19h | SPBRG                                | 99h |                               |              |                               |              |
| RCREG                                | 1Ah |                                      | 9Ah |                               |              |                               |              |
| CCPR2L                               | 1Bh |                                      | 9Bh |                               |              |                               |              |
| CCPR2H                               | 1Ch |                                      | 9Ch |                               |              |                               |              |
| CCP2CON                              | 1Dh |                                      | 9Dh |                               |              |                               |              |
| ADRESH                               | 1Eh | ADRESL                               | 9Eh |                               |              |                               |              |
| ADCON0                               | 1Fh | ADCON1                               | 9Fh |                               |              |                               |              |
|                                      | 20h |                                      | A0h |                               | 120h         |                               | 1A0h         |
| General Purpose Register<br>96 Bytes |     | General Purpose Register<br>96 Bytes |     | accesses<br>20h-7Fh           |              | accesses<br>A0h - FFh         |              |
|                                      | 7Fh |                                      | FFh |                               | 16Fh<br>170h |                               | 1EFh<br>1F0h |
| Bank 0                               |     | Bank 1                               |     | Bank 2                        | 17Fh         | Bank 3                        | 1FFh         |

Unimplemented data memory locations, read as '0'.  
 \* Not a physical register.

**Note 1:** These registers are not implemented on the PIC16F873.  
**Note 2:** These registers are reserved, maintain these registers clear.

## 2.2.2 SPECIAL FUNCTION REGISTERS

The Special Function Registers are registers used by the CPU and peripheral modules for controlling the desired operation of the device. These registers are implemented as static RAM. A list of these registers is given in Table 2-1.

The Special Function Registers can be classified into two sets: core (CPU) and peripheral. Those registers associated with the core functions are described in detail in this section. Those related to the operation of the peripheral features are described in detail in the peripheral features section.

**TABLE 2-1: SPECIAL FUNCTION REGISTER SUMMARY**

| Address              | Name    | Bit 7  | Bit 6   | Bit 5   | Bit 4  | Bit 3           | Bit 2   | Bit 1   | Bit 0   | Value on:<br>POR,<br>BOR | Details<br>on<br>page: |           |    |
|----------------------|---------|--|---------|---|--|-----------------|---------|---------|---------|--------------------------|------------------------|-----------|----|
| <b>Bank 0</b>        |         |  |         |   |  |                 |         |         |         |                          |                        |           |    |
| 00h <sup>(3)</sup>   | INDF    | Addressing this location uses contents of FSR to address data memory (not a physical register) |         |   |  |                 |         |         |         | 0000 0000                | 27                     |           |    |
| 01h                  | TMR0    | Timer0 Module Register   |         |   |  |                 |         |         |         | xxxx xxxx                | 47                     |           |    |
| 02h <sup>(3)</sup>   | PCL     | Program Counter (PC) Least Significant Byte  |         |   |  |                 |         |         |         | 0000 0000                | 26                     |           |    |
| 03h <sup>(3)</sup>   | STATUS  | IRP  | RP1     | RP0   | $\overline{TO}$  | $\overline{PD}$ | Z       | DC      | C       | 0001 1xxxx               | 18                     |           |    |
| 04h <sup>(3)</sup>   | FSR     | Indirect Data Memory Address Pointer   |         |   |  |                 |         |         |         | xxxx xxxx                | 27                     |           |    |
| 05h                  | PORTA   | —  | —       | PORTA Data Latch when written: PORTA pins when read |  |                 |         |         |         |                          |                        | --0x 0000 | 29 |
| 06h                  | PORTB   | PORTB Data Latch when written: PORTB pins when read  |         |   |  |                 |         |         |         | xxxx xxxx                | 31                     |           |    |
| 07h                  | PORTC   | PORTC Data Latch when written: PORTC pins when read  |         |   |  |                 |         |         |         | xxxx xxxx                | 33                     |           |    |
| 08h <sup>(4)</sup>   | PORTD   | PORTD Data Latch when written: PORTD pins when read  |         |   |  |                 |         |         |         | xxxx xxxx                | 35                     |           |    |
| 09h <sup>(4)</sup>   | PORTE   | —  | —       | —   | —  | —               | RE2     | RE1     | RE0     | ---- -xxx                | 36                     |           |    |
| 0Ah <sup>(1,3)</sup> | PCLATH  | —  | —       | —   | Write Buffer for the upper 5 bits of the Program Counter |                 |         |         |         | ---0 0000                | 26                     |           |    |
| 0Bh <sup>(3)</sup>   | INTCON  | GIE  | PEIE    | TOIE  | INTE   | RBIE            | T0IF    | INTF    | RBIF    | 0000 000x                | 20                     |           |    |
| 0Ch                  | PIR1    | PSPIF <sup>(3)</sup>   | ADIF    | RCIF  | TXIF   | SSPIF           | CCP1IF  | TMR2IF  | TMR1IF  | 0000 0000                | 22                     |           |    |
| 0Dh                  | PIR2    | —  | (5)     | —   | EEIF   | BCLIF           | —       | —       | CCP2IF  | -r-0 0--0                | 24                     |           |    |
| 0Eh                  | TMR1L   | Holding register for the Least Significant Byte of the 16-bit TMR1 Register                    |         |   |  |                 |         |         |         | xxxx xxxx                | 52                     |           |    |
| 0Fh                  | TMR1H   | Holding register for the Most Significant Byte of the 16-bit TMR1 Register                     |         |   |  |                 |         |         |         | xxxx xxxx                | 52                     |           |    |
| 10h                  | T1CON   | —  | —       | T1CKPS1   | T1CKPS0  | T1OSCEN         | T1SYNC  | TMR1CS  | TMR1ON  | --00 0000                | 51                     |           |    |
| 11h                  | TMR2    | Timer2 Module Register   |         |   |  |                 |         |         |         | 0000 0000                | 55                     |           |    |
| 12h                  | T2CON   | —  | TOUTPS3 | TOUTPS2   | TOUTPS1  | TOUTPS0         | TMR2ON  | T2CKPS1 | T2CKPS0 | -000 0000                | 55                     |           |    |
| 13h                  | SSPBUF  | Synchronous Serial Port Receive Buffer/Transmit Register                                       |         |   |  |                 |         |         |         | xxxx xxxx                | 70, 73                 |           |    |
| 14h                  | SSPCON  | WCOL   | SSPOV   | SSPEN   | CKP  | SSPM3           | SSPM2   | SSPM1   | SSPM0   | 0000 0000                | 67                     |           |    |
| 15h                  | CCPR1L  | Capture/Compare/PWM Register1 (LSB)  |         |   |  |                 |         |         |         | xxxx xxxx                | 57                     |           |    |
| 16h                  | CCPR1H  | Capture/Compare/PWM Register1 (MSB)  |         |   |  |                 |         |         |         | xxxx xxxx                | 57                     |           |    |
| 17h                  | CCP1CON | —  | —       | CCP1X   | CCP1Y  | CCP1M3          | CCP1M2  | CCP1M1  | CCP1M0  | --00 0000                | 58                     |           |    |
| 18h                  | RCSTA   | SPEN   | RX9     | SREN  | CREN   | ADDEN           | FERR    | OERR    | RX9D    | 0000 000x                | 96                     |           |    |
| 19h                  | TXREG   | USART Transmit Data Register   |         |   |  |                 |         |         |         | 0000 0000                | 99                     |           |    |
| 1Ah                  | RCREG   | USART Receive Data Register  |         |   |  |                 |         |         |         | 0000 0000                | 101                    |           |    |
| 1Bh                  | CCPR2L  | Capture/Compare/PWM Register2 (LSB)  |         |   |  |                 |         |         |         | xxxx xxxx                | 57                     |           |    |
| 1Ch                  | CCPR2H  | Capture/Compare/PWM Register2 (MSB)  |         |   |  |                 |         |         |         | xxxx xxxx                | 57                     |           |    |
| 1Dh                  | CCP2CON | —  | —       | CCP2X   | CCP2Y  | CCP2M3          | CCP2M2  | CCP2M1  | CCP2M0  | --00 0000                | 58                     |           |    |
| 1Eh                  | ADRESH  | A/D Result Register High Byte  |         |   |  |                 |         |         |         | xxxx xxxx                | 116                    |           |    |
| 1Fh                  | ADCON0  | ADCS1  | ADCS0   | CHS2  | CHS1   | CHS0            | GO/DONE | —       | ADON    | 0000 00-0                | 111                    |           |    |

Legend: x = unknown, u = unchanged, q = value depends on condition, - = unimplemented, read as '0', r = reserved.  
Shaded locations are unimplemented, read as '0'.

- Note 1:** The upper byte of the program counter is not directly accessible. PCLATH is a holding register for the PC<12:8> whose contents are transferred to the upper byte of the program counter.
- 2:** Bits PSPIE and PSPIF are reserved on PIC16F873/876 devices; always maintain these bits clear.
- 3:** These registers can be addressed from any bank.
- 4:** PORTD, PORTE, TRISD, and TRISE are not physically implemented on PIC16F873/876 devices; read as '0'.
- 5:** PIR2<6> and PIE2<6> are reserved on these devices; always maintain these bits clear.

# PIC16F87X

**TABLE 2-1: SPECIAL FUNCTION REGISTER SUMMARY (CONTINUED)**

| Address              | Name       | Bit 7  | Bit 6   | Bit 5                         | Bit 4  | Bit 3                  | Bit 2                     | Bit 1                   | Bit 0                   | Value on:<br>POR,<br>BOR | Details<br>on<br>page: |    |
|----------------------|------------|--|---------|-------------------------------|--|------------------------|---------------------------|-------------------------|-------------------------|--------------------------|------------------------|----|
| <b>Bank 1</b>        |            |  |         |                               |  |                        |                           |                         |                         |                          |                        |    |
| 80h <sup>(3)</sup>   | INDF       | Addressing this location uses contents of FSR to address data memory (not a physical register) |         |                               |  |                        |                           |                         |                         | 0000 0000                | 27                     |    |
| 81h                  | OPTION_REG | $\overline{\text{RBPU}}$   | INTEDG  | T0CS                          | T0SE   | PSA                    | PS2                       | PS1                     | PS0                     | 1111 1111                | 19                     |    |
| 82h <sup>(3)</sup>   | PCL        | Program Counter (PC) Least Significant Byte  |         |                               |  |                        |                           |                         |                         | 0000 0000                | 26                     |    |
| 83h <sup>(3)</sup>   | STATUS     | IRP  | RP1     | RP0                           | $\overline{\text{TO}}$                                   | $\overline{\text{PD}}$ | Z                         | DC                      | C                       | 0001 1xxx                | 18                     |    |
| 84h <sup>(3)</sup>   | FSR        | Indirect Data Memory Address Pointer   |         |                               |  |                        |                           |                         |                         | xxxx xxxx                | 27                     |    |
| 85h                  | TRISA      | —  | —       | PORTA Data Direction Register |  |                        |                           |                         |                         | --11 1111                | 29                     |    |
| 86h                  | TRISB      | PORTB Data Direction Register  |         |                               |  |                        |                           |                         |                         | 1111 1111                | 31                     |    |
| 87h                  | TRISC      | PORTC Data Direction Register  |         |                               |  |                        |                           |                         |                         | 1111 1111                | 33                     |    |
| 88h <sup>(4)</sup>   | TRISD      | PORTD Data Direction Register  |         |                               |  |                        |                           |                         |                         | 1111 1111                | 35                     |    |
| 89h <sup>(4)</sup>   | TRISE      | IBF  | OBF     | IBOV                          | PSPMODE  | —                      | PORTE Data Direction Bits |                         |                         |                          | 0000 -111              | 37 |
| 8Ah <sup>(1,3)</sup> | PCLATH     | —  | —       | —                             | Write Buffer for the upper 5 bits of the Program Counter |                        |                           |                         |                         |                          | ---0 0000              | 26 |
| 8Bh <sup>(3)</sup>   | INTCON     | GIE  | PEIE    | TOIE                          | INTE   | RBIE                   | TOIF                      | INTF                    | RBIF                    | 0000 000x                | 20                     |    |
| 8Ch                  | PIE1       | PSPIE <sup>(2)</sup>   | ADIE    | RCIE                          | TXIE   | SSPIE                  | CCP1IE                    | TMR2IE                  | TMR1IE                  | 0000 0000                | 21                     |    |
| 8Dh                  | PIE2       | —  | (5)     | —                             | EEIE   | BCLIE                  | —                         | —                       | CCP2IE                  | -r-0 0--0                | 23                     |    |
| 8Eh                  | PCON       | —  | —       | —                             | —  | —                      | —                         | $\overline{\text{POR}}$ | $\overline{\text{BOR}}$ | ---- --gg                | 25                     |    |
| 8Fh                  | —          | Unimplemented  |         |                               |  |                        |                           |                         |                         | —                        | —                      |    |
| 90h                  | —          | Unimplemented  |         |                               |  |                        |                           |                         |                         | —                        | —                      |    |
| 91h                  | SSPCON2    | GCEN   | ACKSTAT | ACKDT                         | ACKEN  | RCEN                   | PEN                       | RSEN                    | SEN                     | 0000 0000                | 68                     |    |
| 92h                  | PR2        | Timer2 Period Register   |         |                               |  |                        |                           |                         |                         | 1111 1111                | 55                     |    |
| 93h                  | SSPADD     | Synchronous Serial Port (I <sup>2</sup> C mode) Address Register                               |         |                               |  |                        |                           |                         |                         | 0000 0000                | 73, 74                 |    |
| 94h                  | SSPSTAT    | SMP  | CKE     | D/A                           | P  | S                      | R/W                       | UA                      | BF                      | 0000 0000                | 66                     |    |
| 95h                  | —          | Unimplemented  |         |                               |  |                        |                           |                         |                         | —                        | —                      |    |
| 96h                  | —          | Unimplemented  |         |                               |  |                        |                           |                         |                         | —                        | —                      |    |
| 97h                  | —          | Unimplemented  |         |                               |  |                        |                           |                         |                         | —                        | —                      |    |
| 98h                  | TXSTA      | CSRC   | TX9     | TXEN                          | SYNC   | —                      | BRGH                      | TRMT                    | TX9D                    | 0000 -010                | 95                     |    |
| 99h                  | SPBRG      | Baud Rate Generator Register   |         |                               |  |                        |                           |                         |                         | 0000 0000                | 97                     |    |
| 9Ah                  | —          | Unimplemented  |         |                               |  |                        |                           |                         |                         | —                        | —                      |    |
| 9Bh                  | —          | Unimplemented  |         |                               |  |                        |                           |                         |                         | —                        | —                      |    |
| 9Ch                  | —          | Unimplemented  |         |                               |  |                        |                           |                         |                         | —                        | —                      |    |
| 9Dh                  | —          | Unimplemented  |         |                               |  |                        |                           |                         |                         | —                        | —                      |    |
| 9Eh                  | ADRESL     | A/D Result Register Low Byte   |         |                               |  |                        |                           |                         |                         | xxxx xxxx                | 116                    |    |
| 9Fh                  | ADCON1     | ADFM   | —       | —                             | —  | PCFG3                  | PCFG2                     | PCFG1                   | PCFG0                   | 0--- 0000                | 112                    |    |

Legend: x = unknown, u = unchanged,  $\alpha$  = value depends on condition, - = unimplemented, read as '0', r = reserved.  
Shaded locations are unimplemented, read as '0'.

- Note** 1: The upper byte of the program counter is not directly accessible. PCLATH is a holding register for the PC<12:8> whose contents are transferred to the upper byte of the program counter.  
2: Bits PSPIE and PSPIF are reserved on PIC16F873/876 devices; always maintain these bits clear.  
3: These registers can be addressed from any bank.  
4: PORTD, PORTE, TRISD, and TRISE are not physically implemented on PIC16F873/876 devices; read as '0'.  
5: PIR2<6> and PIE2<6> are reserved on these devices; always maintain these bits clear.



**TABLE 2-1: SPECIAL FUNCTION REGISTER SUMMARY (CONTINUED)**

| Address               | Name       | Bit 7  | Bit 6  | Bit 5                          | Bit 4  | Bit 3           | Bit 2 | Bit 1 | Bit 0     | Value on:<br>POR,<br>BOR | Details<br>on<br>page: |
|-----------------------|------------|--|--------|--------------------------------|--|-----------------|-------|-------|-----------|--------------------------|------------------------|
| <b>Bank 2</b>         |            |  |        |                                |  |                 |       |       |           |                          |                        |
| 100h <sup>(3)</sup>   | INDF       | Addressing this location uses contents of FSR to address data memory (not a physical register) |        |                                |  |                 |       |       |           | 0000 0000                | 27                     |
| 101h                  | TMR0       | Timer0 Module Register   |        |                                |  |                 |       |       |           | xxxx xxxx                | 47                     |
| 102h <sup>(3)</sup>   | PCL        | Program Counter's (PC) Least Significant Byte  |        |                                |  |                 |       |       |           | 0000 0000                | 26                     |
| 103h <sup>(3)</sup>   | STATUS     | IRP  | RP1    | RP0                            | $\overline{TO}$  | $\overline{PD}$ | Z     | DC    | C         | 0001 1xxx                | 18                     |
| 104h <sup>(3)</sup>   | FSR        | Indirect Data Memory Address Pointer   |        |                                |  |                 |       |       |           | xxxx xxxx                | 27                     |
| 105h                  | —          | Unimplemented  |        |                                |  |                 |       |       |           | —                        | —                      |
| 106h                  | PORTB      | PORTB Data Latch when written: PORTB pins when read  |        |                                |  |                 |       |       |           | xxxx xxxx                | 31                     |
| 107h                  | —          | Unimplemented  |        |                                |  |                 |       |       |           | —                        | —                      |
| 108h                  | —          | Unimplemented  |        |                                |  |                 |       |       |           | —                        | —                      |
| 109h                  | —          | Unimplemented  |        |                                |  |                 |       |       |           | —                        | —                      |
| 10Ah <sup>(1,3)</sup> | PCLATH     | —  | —      | —                              | Write Buffer for the upper 5 bits of the Program Counter |                 |       |       |           | ---0 0000                | 26                     |
| 10Bh <sup>(3)</sup>   | INTCON     | GIE  | PEIE   | TOIE                           | INTE   | RBIE            | TOIF  | INTF  | RBIF      | 0000 000x                | 20                     |
| 10Ch                  | EEDATA     | EEPROM Data Register Low Byte  |        |                                |  |                 |       |       |           | xxxx xxxx                | 41                     |
| 10Dh                  | EEADR      | EEPROM Address Register Low Byte   |        |                                |  |                 |       |       |           | xxxx xxxx                | 41                     |
| 10Eh                  | EEDATH     | —  | —      | EEPROM Data Register High Byte |  |                 |       |       | xxxx xxxx | 41                       |                        |
| 10Fh                  | EEADRH     | —  | —      | —                              | EEPROM Address Register High Byte                        |                 |       |       |           | xxxx xxxx                | 41                     |
| <b>Bank 3</b>         |            |  |        |                                |  |                 |       |       |           |                          |                        |
| 180h <sup>(3)</sup>   | INDF       | Addressing this location uses contents of FSR to address data memory (not a physical register) |        |                                |  |                 |       |       |           | 0000 0000                | 27                     |
| 181h                  | OPTION_REG | RBPU   | INTEDG | TOCS                           | T0SE   | PSA             | PS2   | PS1   | PS0       | 1111 1111                | 19                     |
| 182h <sup>(3)</sup>   | PCL        | Program Counter (PC) Least Significant Byte  |        |                                |  |                 |       |       |           | 0000 0000                | 26                     |
| 183h <sup>(3)</sup>   | STATUS     | IRP  | RP1    | RP0                            | $\overline{TO}$  | $\overline{PD}$ | Z     | DC    | C         | 0001 1xxx                | 18                     |
| 184h <sup>(3)</sup>   | FSR        | Indirect Data Memory Address Pointer   |        |                                |  |                 |       |       |           | xxxx xxxx                | 27                     |
| 185h                  | —          | Unimplemented  |        |                                |  |                 |       |       |           | —                        | —                      |
| 186h                  | TRISB      | PORTB Data Direction Register  |        |                                |  |                 |       |       |           | 1111 1111                | 31                     |
| 187h                  | —          | Unimplemented  |        |                                |  |                 |       |       |           | —                        | —                      |
| 188h                  | —          | Unimplemented  |        |                                |  |                 |       |       |           | —                        | —                      |
| 189h                  | —          | Unimplemented  |        |                                |  |                 |       |       |           | —                        | —                      |
| 18Ah <sup>(1,3)</sup> | PCLATH     | —  | —      | —                              | Write Buffer for the upper 5 bits of the Program Counter |                 |       |       |           | ---0 0000                | 26                     |
| 18Bh <sup>(3)</sup>   | INTCON     | GIE  | PEIE   | TOIE                           | INTE   | RBIE            | TOIF  | INTF  | RBIF      | 0000 000x                | 20                     |
| 18Ch                  | EECON1     | EEPGD  | —      | —                              | —  | WRERR           | WREN  | WR    | RD        | x--- x000                | 41, 42                 |
| 18Dh                  | EECON2     | EEPROM Control Register2 (not a physical register)   |        |                                |  |                 |       |       |           | ---- ----                | 41                     |
| 18Eh                  | —          | Reserved maintain clear  |        |                                |  |                 |       |       |           | 0000 0000                | —                      |
| 18Fh                  | —          | Reserved maintain clear  |        |                                |  |                 |       |       |           | 0000 0000                | —                      |

Legend: x = unknown, u = unchanged, q = value depends on condition, - = unimplemented, read as '0', r = reserved.  
Shaded locations are unimplemented, read as '0'.

- Note 1:** The upper byte of the program counter is not directly accessible. PCLATH is a holding register for the PC<12:8> whose contents are transferred to the upper byte of the program counter.
- 2:** Bits PSPIE and PSPIF are reserved on PIC16F873/876 devices; always maintain these bits clear.
- 3:** These registers can be addressed from any bank.
- 4:** PORTD, PORTE, TRISD, and TRISE are not physically implemented on PIC16F873/876 devices; read as '0'.
- 5:** PIR2<6> and PIE2<6> are reserved on these devices; always maintain these bits clear.

# PIC16F87X

## 2.2.2.1 STATUS Register

The STATUS register contains the arithmetic status of the ALU, the RESET status and the bank select bits for data memory.

The STATUS register can be the destination for any instruction, as with any other register. If the STATUS register is the destination for an instruction that affects the Z, DC or C bits, then the write to these three bits is disabled. These bits are set or cleared according to the device logic. Furthermore, the  $\overline{TO}$  and  $\overline{PD}$  bits are not writable, therefore, the result of an instruction with the STATUS register as destination may be different than intended.

For example, `CLRF STATUS` will clear the upper three bits and set the Z bit. This leaves the STATUS register as `000u u1uu` (where u = unchanged).

It is recommended, therefore, that only `BCF`, `BSF`, `SWAPF` and `MOVWF` instructions are used to alter the STATUS register, because these instructions do not affect the Z, C or DC bits from the STATUS register. For other instructions not affecting any status bits, see the "Instruction Set Summary."

**Note:** The  $\overline{C}$  and  $\overline{DC}$  bits operate as a borrow and digit borrow bit, respectively, in subtraction. See the `SUBLW` and `SUBWF` instructions for examples.

### REGISTER 2-1: STATUS REGISTER (ADDRESS 03h, 83h, 103h, 183h)

|       |       |       |                 |                 |       |       |       |
|-------|-------|-------|-----------------|-----------------|-------|-------|-------|
| R/W-0 | R/W-0 | R/W-0 | R-1             | R-1             | R/W-x | R/W-x | R/W-x |
| IRP   | RP1   | RP0   | $\overline{TO}$ | $\overline{PD}$ | Z     | DC    | C     |
| bit 7 |       |       |                 |                 | bit 0 |       |       |

- bit 7 **IRP:** Register Bank Select bit (used for indirect addressing)  
 1 = Bank 2, 3 (100h - 1FFh)  
 0 = Bank 0, 1 (00h - FFh)
  - bit 6-5 **RP1:RP0:** Register Bank Select bits (used for direct addressing)  
 11 = Bank 3 (180h - 1FFh)  
 10 = Bank 2 (100h - 17Fh)  
 01 = Bank 1 (80h - FFh)  
 00 = Bank 0 (00h - 7Fh)  
 Each bank is 128 bytes
  - bit 4  **$\overline{TO}$ :** Time-out bit  
 1 = After power-up, `CLRWDT` instruction, or `SLEEP` instruction  
 0 = A WDT time-out occurred
  - bit 3  **$\overline{PD}$ :** Power-down bit  
 1 = After power-up or by the `CLRWDT` instruction  
 0 = By execution of the `SLEEP` instruction
  - bit 2 **Z:** Zero bit  
 1 = The result of an arithmetic or logic operation is zero  
 0 = The result of an arithmetic or logic operation is not zero
  - bit 1 **DC:** Digit carry/borrow bit (`ADDWF`, `ADDLW`, `SUBLW`, `SUBWF` instructions)  
 (for borrow, the polarity is reversed)  
 1 = A carry-out from the 4th low order bit of the result occurred  
 0 = No carry-out from the 4th low order bit of the result
  - bit 0 **C:** Carry/borrow bit (`ADDWF`, `ADDLW`, `SUBLW`, `SUBWF` instructions)  
 1 = A carry-out from the Most Significant bit of the result occurred  
 0 = No carry-out from the Most Significant bit of the result occurred
- Note:** For borrow, the polarity is reversed. A subtraction is executed by adding the two's complement of the second operand. For rotate (`RRF`, `RLF`) instructions, this bit is loaded with either the high, or low order bit of the source register.

Legend:

|                    |                  |  |
|--------------------|------------------|--|
| R = Readable bit   | W = Writable bit | U = Unimplemented bit, read as '0'         |
| - n = Value at POR | '1' = Bit is set | '0' = Bit is cleared    x = Bit is unknown |

## 2.2.2.2 OPTION\_REG Register

The OPTION\_REG Register is a readable and writable register, which contains various control bits to configure the TMR0 prescaler/WDT postscaler (single assignable register known also as the prescaler), the External INT Interrupt, TMR0 and the weak pull-ups on PORTB.

**Note:** To achieve a 1:1 prescaler assignment for the TMR0 register, assign the prescaler to the Watchdog Timer.

### REGISTER 2-2: OPTION\_REG REGISTER (ADDRESS 81h, 181h)

|       |        |       |       |       |       |       |       |
|-------|--------|-------|-------|-------|-------|-------|-------|
| R/W-1 | R/W-1  | R/W-1 | R/W-1 | R/W-1 | R/W-1 | R/W-1 | R/W-1 |
| RBPU  | INTEDG | T0CS  | T0SE  | PSA   | PS2   | PS1   | PS0   |
|       |        |       |       |       |       | bit 0 |       |
| bit 7 |        |       |       |       |       |       |       |

- bit 7 **RBPU:** PORTB Pull-up Enable bit  
1 = PORTB pull-ups are disabled  
0 = PORTB pull-ups are enabled by individual port latch values
- bit 6 **INTEDG:** Interrupt Edge Select bit  
1 = Interrupt on rising edge of RB0/INT pin  
0 = Interrupt on falling edge of RB0/INT pin
- bit 5 **T0CS:** TMR0 Clock Source Select bit  
1 = Transition on RA4/T0CKI pin  
0 = Internal instruction cycle clock (CLKOUT)
- bit 4 **T0SE:** TMR0 Source Edge Select bit  
1 = Increment on high-to-low transition on RA4/T0CKI pin  
0 = Increment on low-to-high transition on RA4/T0CKI pin
- bit 3 **PSA:** Prescaler Assignment bit  
1 = Prescaler is assigned to the WDT  
0 = Prescaler is assigned to the Timer0 module
- bit 2-0 **PS2:PS0:** Prescaler Rate Select bits

| Bit Value | TMR0 Rate | WDT Rate |
|-----------|-----------|----------|
| 000       | 1 : 2     | 1 : 1    |
| 001       | 1 : 4     | 1 : 2    |
| 010       | 1 : 8     | 1 : 4    |
| 011       | 1 : 16    | 1 : 8    |
| 100       | 1 : 32    | 1 : 16   |
| 101       | 1 : 64    | 1 : 32   |
| 110       | 1 : 128   | 1 : 64   |
| 111       | 1 : 256   | 1 : 128  |

**Legend:**

|                    |                  |  |
|--------------------|------------------|--|
| R = Readable bit   | W = Writable bit | U = Unimplemented bit, read as '0'         |
| - n = Value at POR | '1' = Bit is set | '0' = Bit is cleared    x = Bit is unknown |

**Note:** When using low voltage ICSP programming (LVP) and the pull-ups on PORTB are enabled, bit 3 in the TRISB register must be cleared to disable the pull-up on RB3 and ensure the proper operation of the device

# PIC16F87X

## 2.2.2.3 INTCON Register

The INTCON Register is a readable and writable register, which contains various enable and flag bits for the TMR0 register overflow, RB Port change and External RB0/INT pin interrupts.

**Note:** Interrupt flag bits are set when an interrupt condition occurs, regardless of the state of its corresponding enable bit or the global enable bit, GIE (INTCON<7>). User software should ensure the appropriate interrupt flag bits are clear prior to enabling an interrupt.

### REGISTER 2-3: INTCON REGISTER (ADDRESS 0Bh, 8Bh, 10Bh, 18Bh)

|       |       |       |       |       |       |       |       |
|-------|-------|-------|-------|-------|-------|-------|-------|
| R/W-0 | R/W-0 | R/W-0 | R/W-0 | R/W-0 | R/W-0 | R/W-0 | R/W-x |
| GIE   | PEIE  | TOIE  | INTE  | RBIE  | TOIF  | INTF  | RBIF  |
| bit 7 |       |       |       |       |       |       | bit 0 |

- bit 7     **GIE:** Global Interrupt Enable bit  
1 = Enables all unmasked interrupts  
0 = Disables all interrupts
- bit 6     **PEIE:** Peripheral Interrupt Enable bit  
1 = Enables all unmasked peripheral interrupts  
0 = Disables all peripheral interrupts
- bit 5     **TOIE:** TMR0 Overflow Interrupt Enable bit  
1 = Enables the TMR0 interrupt  
0 = Disables the TMR0 interrupt
- bit 4     **INTE:** RB0/INT External Interrupt Enable bit  
1 = Enables the RB0/INT external interrupt  
0 = Disables the RB0/INT external interrupt
- bit 3     **RBIE:** RB Port Change Interrupt Enable bit  
1 = Enables the RB port change interrupt  
0 = Disables the RB port change interrupt
- bit 2     **TOIF:** TMR0 Overflow Interrupt Flag bit  
1 = TMR0 register has overflowed (must be cleared in software)  
0 = TMR0 register did not overflow
- bit 1     **INTF:** RB0/INT External Interrupt Flag bit  
1 = The RB0/INT external interrupt occurred (must be cleared in software)  
0 = The RB0/INT external interrupt did not occur
- bit 0     **RBIF:** RB Port Change Interrupt Flag bit  
1 = At least one of the RB7:RB4 pins changed state; a mismatch condition will continue to set the bit. Reading PORTB will end the mismatch condition and allow the bit to be cleared (must be cleared in software).  
0 = None of the RB7:RB4 pins have changed state

Legend:

|                    |                  |   |
|--------------------|------------------|---|
| R = Readable bit   | W = Writable bit | U = Unimplemented bit, read as '0'          |
| - n = Value at POR | '1' = Bit is set | '0' = Bit is cleared     x = Bit is unknown |

## 2.2.2.4 PIE1 Register

The PIE1 register contains the individual enable bits for the peripheral interrupts.

**Note:** Bit PEIE (INTCON<6>) must be set to enable any peripheral interrupt.

### REGISTER 2-4: PIE1 REGISTER (ADDRESS 8Ch)

| R/W-0                | R/W-0 | R/W-0 | R/W-0 | R/W-0 | R/W-0  | R/W-0  | R/W-0  |       |
|----------------------|-------|-------|-------|-------|--------|--------|--------|-------|
| PSPIE <sup>(1)</sup> | ADIE  | RCIE  | TXIE  | SSPIE | CCP1IE | TMR2IE | TMR1IE |       |
| bit 7                |       |       |       |       |        |        |        | bit 0 |

- bit 7      **PSPIE<sup>(1)</sup>:** Parallel Slave Port Read/Write Interrupt Enable bit  
 1 = Enables the PSP read/write interrupt  
 0 = Disables the PSP read/write interrupt
- bit 6      **ADIE:** A/D Converter Interrupt Enable bit  
 1 = Enables the A/D converter interrupt  
 0 = Disables the A/D converter interrupt
- bit 5      **RCIE:** USART Receive Interrupt Enable bit  
 1 = Enables the USART receive interrupt  
 0 = Disables the USART receive interrupt
- bit 4      **TXIE:** USART Transmit Interrupt Enable bit  
 1 = Enables the USART transmit interrupt  
 0 = Disables the USART transmit interrupt
- bit 3      **SSPIE:** Synchronous Serial Port Interrupt Enable bit  
 1 = Enables the SSP interrupt  
 0 = Disables the SSP interrupt
- bit 2      **CCP1IE:** CCP1 Interrupt Enable bit  
 1 = Enables the CCP1 interrupt  
 0 = Disables the CCP1 interrupt
- bit 1      **TMR2IE:** TMR2 to PR2 Match Interrupt Enable bit  
 1 = Enables the TMR2 to PR2 match interrupt  
 0 = Disables the TMR2 to PR2 match interrupt
- bit 0      **TMR1IE:** TMR1 Overflow Interrupt Enable bit  
 1 = Enables the TMR1 overflow interrupt  
 0 = Disables the TMR1 overflow interrupt

**Note 1:** PSPIE is reserved on PIC16F873/876 devices; always maintain this bit clear.

Legend:

|                    |                  |  |
|--------------------|------------------|--|
| R = Readable bit   | W = Writable bit | U = Unimplemented bit, read as '0'           |
| - n = Value at POR | '1' = Bit is set | '0' = Bit is cleared      x = Bit is unknown |

# PIC16F87X

## 2.2.2.5 PIR1 Register

The PIR1 register contains the individual flag bits for the peripheral interrupts.

**Note:** Interrupt flag bits are set when an interrupt condition occurs, regardless of the state of its corresponding enable bit or the global enable bit, GIE (INTCON<7>). User software should ensure the appropriate interrupt bits are clear prior to enabling an interrupt.

### REGISTER 2-5: PIR1 REGISTER (ADDRESS 0Ch)

|                      |       |      |      |       |        |        |        |
|----------------------|-------|------|------|-------|--------|--------|--------|
| R/W-0                | R/W-0 | R-0  | R-0  | R/W-0 | R/W-0  | R/W-0  | R/W-0  |
| PSPIF <sup>(1)</sup> | ADIF  | RCIF | TXIF | SSPIF | CCP1IF | TMR2IF | TMR1IF |
| bit 7                |       |      |      |       |        |        | bit 0  |

- bit 7 **PSPIF<sup>(1)</sup>**: Parallel Slave Port Read/Write Interrupt Flag bit  
 1 = A read or a write operation has taken place (must be cleared in software)  
 0 = No read or write has occurred
- bit 6 **ADIF**: A/D Converter Interrupt Flag bit  
 1 = An A/D conversion completed  
 0 = The A/D conversion is not complete
- bit 5 **RCIF**: USART Receive Interrupt Flag bit  
 1 = The USART receive buffer is full  
 0 = The USART receive buffer is empty
- bit 4 **TXIF**: USART Transmit Interrupt Flag bit  
 1 = The USART transmit buffer is empty  
 0 = The USART transmit buffer is full
- bit 3 **SSPIF**: Synchronous Serial Port (SSP) Interrupt Flag  
 1 = The SSP interrupt condition has occurred, and must be cleared in software before returning from the Interrupt Service Routine. The conditions that will set this bit are:
- SPI
    - A transmission/reception has taken place.
  - I<sup>2</sup>C Slave
    - A transmission/reception has taken place.
  - I<sup>2</sup>C Master
    - A transmission/reception has taken place.
    - The initiated START condition was completed by the SSP module.
    - The initiated STOP condition was completed by the SSP module.
    - The initiated Restart condition was completed by the SSP module.
    - The initiated Acknowledge condition was completed by the SSP module.
    - A START condition occurred while the SSP module was idle (Multi-Master system).
    - A STOP condition occurred while the SSP module was idle (Multi-Master system).
- 0 = No SSP interrupt condition has occurred.
- bit 2 **CCP1IF**: CCP1 Interrupt Flag bit  
Capture mode:  
 1 = A TMR1 register capture occurred (must be cleared in software)  
 0 = No TMR1 register capture occurred  
Compare mode:  
 1 = A TMR1 register compare match occurred (must be cleared in software)  
 0 = No TMR1 register compare match occurred  
PWM mode:  
 Unused in this mode
- bit 1 **TMR2IF**: TMR2 to PR2 Match Interrupt Flag bit  
 1 = TMR2 to PR2 match occurred (must be cleared in software)  
 0 = No TMR2 to PR2 match occurred
- bit 0 **TMR1IF**: TMR1 Overflow Interrupt Flag bit  
 1 = TMR1 register overflowed (must be cleared in software)  
 0 = TMR1 register did not overflow

**Note 1:** PSPIF is reserved on PIC16F873/876 devices; always maintain this bit clear.

**Legend:**

|                    |                  |  |
|--------------------|------------------|--|
| R = Readable bit   | W = Writable bit | U = Unimplemented bit, read as '0'           |
| - n = Value at POR | '1' = Bit is set | '0' = Bit is cleared      x = Bit is unknown |

## 2.2.2.6 PIE2 Register

The PIE2 register contains the individual enable bits for the CCP2 peripheral interrupt, the SSP bus collision interrupt, and the EEPROM write operation interrupt.

### REGISTER 2-6: PIE2 REGISTER (ADDRESS 8Dh)

|       |          |     |       |       |     |     |        |       |
|-------|----------|-----|-------|-------|-----|-----|--------|-------|
| U-0   | R/W-0    | U-0 | R/W-0 | R/W-0 | U-0 | U-0 | R/W-0  |       |
| —     | Reserved | —   | EEIE  | BCLIE | —   | —   | CCP2IE |       |
| bit 7 |          |     |       |       |     |     |        | bit 0 |

- bit 7      **Unimplemented:** Read as '0'
- bit 6      **Reserved:** Always maintain this bit clear
- bit 5      **Unimplemented:** Read as '0'
- bit 4      **EEIE:** EEPROM Write Operation Interrupt Enable  
1 = Enable EE Write Interrupt  
0 = Disable EE Write Interrupt
- bit 3      **BCLIE:** Bus Collision Interrupt Enable  
1 = Enable Bus Collision Interrupt  
0 = Disable Bus Collision Interrupt
- bit 2-1    **Unimplemented:** Read as '0'
- bit 0      **CCP2IE:** CCP2 Interrupt Enable bit  
1 = Enables the CCP2 interrupt  
0 = Disables the CCP2 interrupt

|                    |                  |                                    |                    |
|--------------------|------------------|------------------------------------|--------------------|
| Legend:            |                  |                                    |                    |
| R = Readable bit   | W = Writable bit | U = Unimplemented bit, read as '0' |                    |
| - n = Value at POR | '1' = Bit is set | '0' = Bit is cleared               | x = Bit is unknown |

# PIC16F87X

## 2.2.2.7 PIR2 Register

The PIR2 register contains the flag bits for the CCP2 interrupt, the SSP bus collision interrupt and the EEPROM write operation interrupt.

**Note:** Interrupt flag bits are set when an interrupt condition occurs, regardless of the state of its corresponding enable bit or the global enable bit, GIE (INTCON<7>). User software should ensure the appropriate interrupt flag bits are clear prior to enabling an interrupt.

### REGISTER 2-7: PIR2 REGISTER (ADDRESS 0Dh)

|       |     |          |     |       |       |     |     |        |
|-------|-----|----------|-----|-------|-------|-----|-----|--------|
|       | U-0 | R/W-0    | U-0 | R/W-0 | R/W-0 | U-0 | U-0 | R/W-0  |
|       | —   | Reserved | —   | EEIF  | BCLIF | —   | —   | CCP2IF |
| bit 7 |     |          |     |       |       |     |     | bit 0  |

- bit 7     **Unimplemented:** Read as '0'
- bit 6     **Reserved:** Always maintain this bit clear
- bit 5     **Unimplemented:** Read as '0'
- bit 4     **EEIF:** EEPROM Write Operation Interrupt Flag bit  
           1 = The write operation completed (must be cleared in software)  
           0 = The write operation is not complete or has not been started
- bit 3     **BCLIF:** Bus Collision Interrupt Flag bit  
           1 = A bus collision has occurred in the SSP, when configured for I2C Master mode  
           0 = No bus collision has occurred
- bit 2-1   **Unimplemented:** Read as '0'
- bit 0     **CCP2IF:** CCP2 Interrupt Flag bit  
           Capture mode:  
           1 = A TMR1 register capture occurred (must be cleared in software)  
           0 = No TMR1 register capture occurred  
           Compare mode:  
           1 = A TMR1 register compare match occurred (must be cleared in software)  
           0 = No TMR1 register compare match occurred  
           PWM mode:  
           Unused

Legend:

|                    |                  |  |
|--------------------|------------------|--|
| R = Readable bit   | W = Writable bit | U = Unimplemented bit, read as '0'         |
| - n = Value at POR | '1' = Bit is set | '0' = Bit is cleared    x = Bit is unknown |



## 2.2.2.8 PCON Register

The Power Control (PCON) Register contains flag bits to allow differentiation between a Power-on Reset (POR), a Brown-out Reset (BOR), a Watchdog Reset (WDT), and an external MCLR Reset.

**Note:**  $\overline{\text{BOR}}$  is unknown on POR. It must be set by the user and checked on subsequent RESETS to see if BOR is clear, indicating a brown-out has occurred. The BOR status bit is a "don't care" and is not predictable if the brown-out circuit is disabled (by clearing the BODEN bit in the configuration word).

### REGISTER 2-8: PCON REGISTER (ADDRESS 8Eh)

|  |       |     |     |     |     |     |                         |                         |
|--|-------|-----|-----|-----|-----|-----|-------------------------|-------------------------|
|  | U-0   | U-0 | U-0 | U-0 | U-0 | U-0 | R/W-0                   | R/W-1                   |
|  | —     | —   | —   | —   | —   | —   | $\overline{\text{POR}}$ | $\overline{\text{BOR}}$ |
|  | bit 7 |     |     |     |     |     |                         | bit 0                   |

bit 7-2     **Unimplemented:** Read as '0'

bit 1     **POR:** Power-on Reset Status bit

1 = No Power-on Reset occurred

0 = A Power-on Reset occurred (must be set in software after a Power-on Reset occurs)

bit 0     **BOR:** Brown-out Reset Status bit

1 = No Brown-out Reset occurred

0 = A Brown-out Reset occurred (must be set in software after a Brown-out Reset occurs)

**Legend:**

R = Readable bit

W = Writable bit

U = Unimplemented bit, read as '0'

- n = Value at POR

'1' = Bit is set

'0' = Bit is cleared

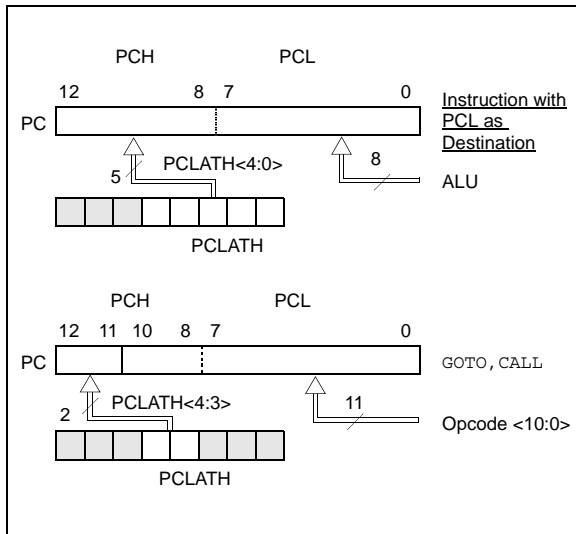
x = Bit is unknown

# PIC16F87X

## 2.3 PCL and PCLATH

The program counter (PC) is 13-bits wide. The low byte comes from the PCL register, which is a readable and writable register. The upper bits (PC<12:8>) are not readable, but are indirectly writable through the PCLATH register. On any RESET, the upper bits of the PC will be cleared. Figure 2-5 shows the two situations for the loading of the PC. The upper example in the figure shows how the PC is loaded on a write to PCL (PCLATH<4:0> → PCH). The lower example in the figure shows how the PC is loaded during a CALL or GOTO instruction (PCLATH<4:3> → PCH).

**FIGURE 2-5: LOADING OF PC IN DIFFERENT SITUATIONS**



### 2.3.1 COMPUTED GOTO

A computed GOTO is accomplished by adding an offset to the program counter (ADDWF PCL). When doing a table read using a computed GOTO method, care should be exercised if the table location crosses a PCL memory boundary (each 256 byte block). Refer to the application note, "Implementing a Table Read" (AN556).

### 2.3.2 STACK

The PIC16F87X family has an 8-level deep x 13-bit wide hardware stack. The stack space is not part of either program or data space and the stack pointer is not readable or writable. The PC is PUSHed onto the stack when a CALL instruction is executed, or an interrupt causes a branch. The stack is POPed in the event of a RETURN, RETLW or a RETFIE instruction execution. PCLATH is not affected by a PUSH or POP operation.

The stack operates as a circular buffer. This means that after the stack has been PUSHed eight times, the ninth push overwrites the value that was stored from the first push. The tenth push overwrites the second push (and so on).

**Note 1:** There are no status bits to indicate stack overflow or stack underflow conditions.

**2:** There are no instructions/mnemonics called PUSH or POP. These are actions that occur from the execution of the CALL, RETURN, RETLW and RETFIE instructions, or the vectoring to an interrupt address.

## 2.4 Program Memory Paging

All PIC16F87X devices are capable of addressing a continuous 8K word block of program memory. The CALL and GOTO instructions provide only 11 bits of address to allow branching within any 2K program memory page. When doing a CALL or GOTO instruction, the upper 2 bits of the address are provided by PCLATH<4:3>. When doing a CALL or GOTO instruction, the user must ensure that the page select bits are programmed so that the desired program memory page is addressed. If a return from a CALL instruction (or interrupt) is executed, the entire 13-bit PC is popped off the stack. Therefore, manipulation of the PCLATH<4:3> bits is not required for the return instructions (which POPs the address from the stack).

**Note:** The contents of the PCLATH register are unchanged after a RETURN or RETFIE instruction is executed. The user must rewrite the contents of the PCLATH register for any subsequent subroutine calls or GOTO instructions.

Example 2-1 shows the calling of a subroutine in page 1 of the program memory. This example assumes that PCLATH is saved and restored by the Interrupt Service Routine (if interrupts are used).

### EXAMPLE 2-1: CALL OF A SUBROUTINE IN PAGE 1 FROM PAGE 0

```

ORG 0x500
BCF PCLATH,4
BSF PCLATH,3 ;Select page 1
                ;(800h-FFFh)
CALL SUB1_P1 ;Call subroutine in
:             ;page 1 (800h-FFFh)
:
ORG 0x900 ;page 1 (800h-FFFh)
SUB1_P1
:             ;called subroutine
                ;page 1 (800h-FFFh)
:
RETURN ;return to
                ;Call subroutine
                ;in page 0
                ;(000h-7FFh)
    
```

## 2.5 Indirect Addressing, INDF and FSR Registers

The INDF register is not a physical register. Addressing the INDF register will cause indirect addressing.

Indirect addressing is possible by using the INDF register. Any instruction using the INDF register actually accesses the register pointed to by the File Select Register, FSR. Reading the INDF register itself, indirectly (FSR = '0') will read 00h. Writing to the INDF register indirectly results in a no operation (although status bits may be affected). An effective 9-bit address is obtained by concatenating the 8-bit FSR register and the IRP bit (STATUS<7>), as shown in Figure 2-6.

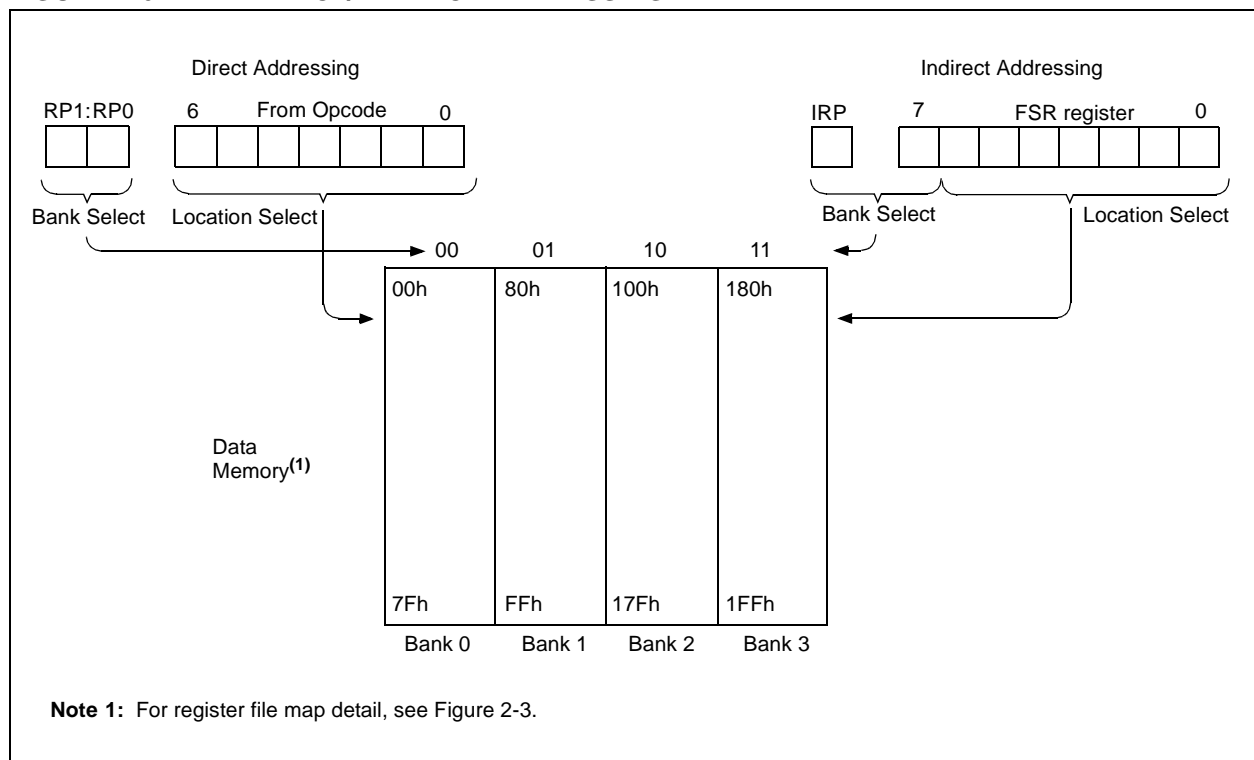
A simple program to clear RAM locations 20h-2Fh using indirect addressing is shown in Example 2-2.

### EXAMPLE 2-2: INDIRECT ADDRESSING

```

MOV LW 0x20 ;initialize pointer
MOV WF FSR ;to RAM
NEXT   CLR F INDF ;clear INDF register
       INC F FSR,F ;inc pointer
       BT FSS FSR,4 ;all done?
       GOTO NEXT ;no clear next
CONTINUE
       : ;yes continue
    
```

**FIGURE 2-6: DIRECT/INDIRECT ADDRESSING**



# PIC16F87X

---

---

NOTES:

## 3.0 I/O PORTS

Some pins for these I/O ports are multiplexed with an alternate function for the peripheral features on the device. In general, when a peripheral is enabled, that pin may not be used as a general purpose I/O pin.

Additional information on I/O ports may be found in the PIC® MCU Mid-Range Reference Manual, (DS33023).

### 3.1 PORTA and the TRISA Register

PORTA is a 6-bit wide, bi-directional port. The corresponding data direction register is TRISA. Setting a TRISA bit (= 1) will make the corresponding PORTA pin an input (i.e., put the corresponding output driver in a Hi-Impedance mode). Clearing a TRISA bit (= 0) will make the corresponding PORTA pin an output (i.e., put the contents of the output latch on the selected pin).

Reading the PORTA register reads the status of the pins, whereas writing to it will write to the port latch. All write operations are read-modify-write operations. Therefore, a write to a port implies that the port pins are read, the value is modified and then written to the port data latch.

Pin RA4 is multiplexed with the Timer0 module clock input to become the RA4/T0CKI pin. The RA4/T0CKI pin is a Schmitt Trigger input and an open drain output. All other PORTA pins have TTL input levels and full CMOS output drivers.

Other PORTA pins are multiplexed with analog inputs and analog VREF input. The operation of each pin is selected by clearing/setting the control bits in the ADCON1 register (A/D Control Register1).

**Note:** On a Power-on Reset, these pins are configured as analog inputs and read as '0'.

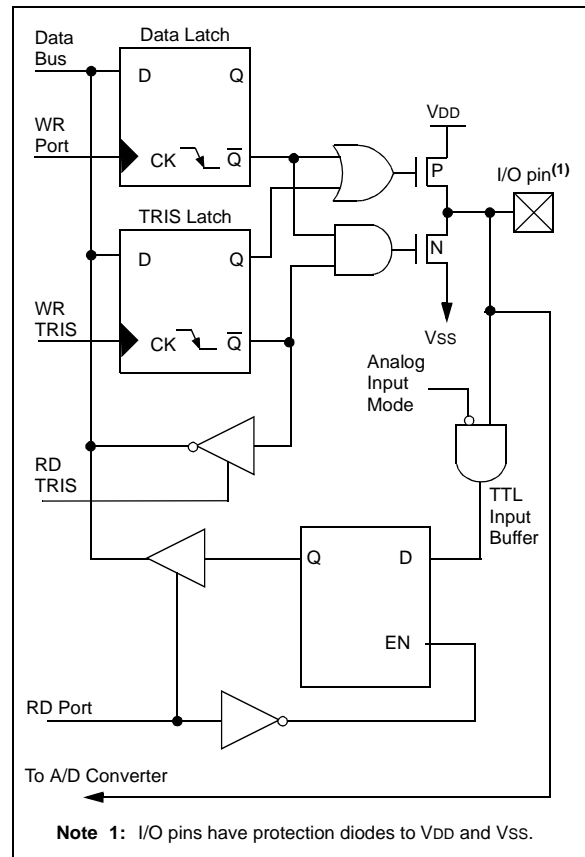
The TRISA register controls the direction of the RA pins, even when they are being used as analog inputs. The user must ensure the bits in the TRISA register are maintained set when using them as analog inputs.

#### EXAMPLE 3-1: INITIALIZING PORTA

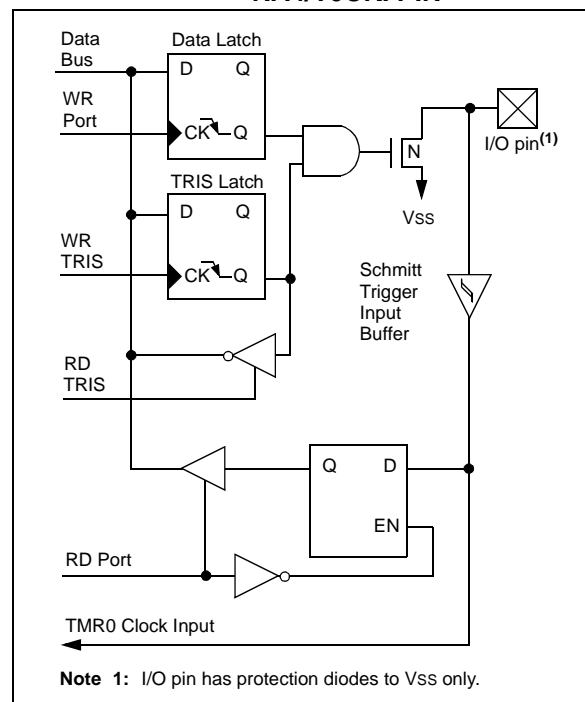
```
BCF STATUS, RP0 ;
BCF STATUS, RP1 ; Bank0
CLRF PORTA ; Initialize PORTA by
; clearing output
; data latches

BSF STATUS, RP0 ; Select Bank 1
MOVLW 0x06 ; Configure all pins
MOVWF ADCON1 ; as digital inputs
MOVLW 0xCF ; Value used to
; initialize data
; direction
MOVWF TRISA ; Set RA<3:0> as inputs
; RA<5:4> as outputs
; TRISA<7:6>are always
; read as '0'.
```

**FIGURE 3-1: BLOCK DIAGRAM OF RA3:RA0 AND RA5 PINS**



**FIGURE 3-2: BLOCK DIAGRAM OF RA4/T0CKI PIN**



# PIC16F87X

**TABLE 3-1: PORTA FUNCTIONS**

| Name                      | Bit# | Buffer | Function  |
|---------------------------|------|--------|---|
| RA0/AN0                   | bit0 | TTL    | Input/output or analog input.   |
| RA1/AN1                   | bit1 | TTL    | Input/output or analog input.   |
| RA2/AN2                   | bit2 | TTL    | Input/output or analog input.   |
| RA3/AN3/VREF              | bit3 | TTL    | Input/output or analog input or VREF.   |
| RA4/T0CKI                 | bit4 | ST     | Input/output or external clock input for Timer0. Output is open drain type.     |
| RA5/ $\overline{SS}$ /AN4 | bit5 | TTL    | Input/output or slave select input for synchronous serial port or analog input. |

Legend: TTL = TTL input, ST = Schmitt Trigger input

**TABLE 3-2: SUMMARY OF REGISTERS ASSOCIATED WITH PORTA**

| Address | Name   | Bit 7 | Bit 6 | Bit 5                         | Bit 4 | Bit 3 | Bit 2 | Bit 1 | Bit 0 | Value on:<br>POR,<br>BOR | Value on all<br>other<br>RESETS |
|---------|--------|-------|-------|-------------------------------|-------|-------|-------|-------|-------|--------------------------|---------------------------------|
| 05h     | PORTA  | —     | —     | RA5                           | RA4   | RA3   | RA2   | RA1   | RA0   | --0x 0000                | --0u 0000                       |
| 85h     | TRISA  | —     | —     | PORTA Data Direction Register |       |       |       |       |       | --11 1111                | --11 1111                       |
| 9Fh     | ADCON1 | ADFM  | —     | —                             | —     | PCFG3 | PCFG2 | PCFG1 | PCFG0 | --0- 0000                | --0- 0000                       |

Legend: x = unknown, u = unchanged, - = unimplemented locations read as '0'.

Shaded cells are not used by PORTA.

**Note:** When using the SSP module in SPI Slave mode and  $\overline{SS}$  enabled, the A/D converter must be set to one of the following modes, where PCFG3:PCFG0 = 0100, 0101, 011x, 1101, 1110, 1111.

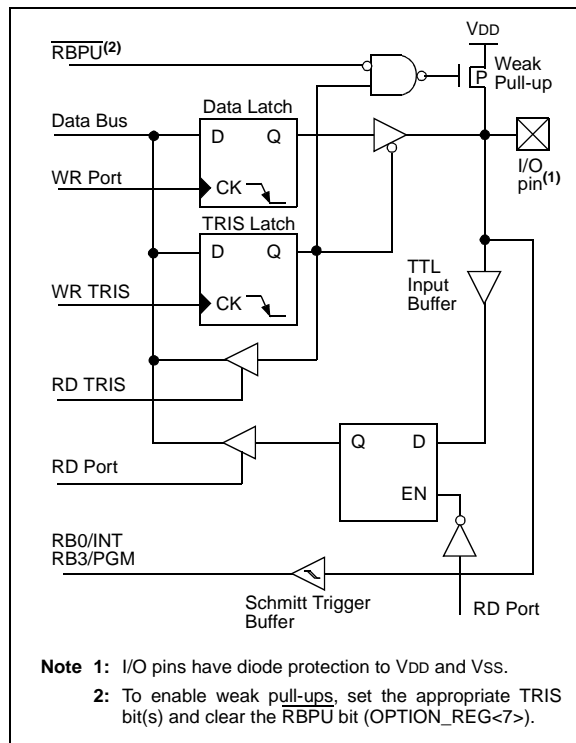
## 3.2 PORTB and the TRISB Register

PORTB is an 8-bit wide, bi-directional port. The corresponding data direction register is TRISB. Setting a TRISB bit (= 1) will make the corresponding PORTB pin an input (i.e., put the corresponding output driver in a Hi-Impedance mode). Clearing a TRISB bit (= 0) will make the corresponding PORTB pin an output (i.e., put the contents of the output latch on the selected pin).

Three pins of PORTB are multiplexed with the Low Voltage Programming function: RB3/PGM, RB6/PGC and RB7/PGD. The alternate functions of these pins are described in the Special Features Section.

Each of the PORTB pins has a weak internal pull-up. A single control bit can turn on all the pull-ups. This is performed by clearing bit RBPU (OPTION\_REG<7>). The weak pull-up is automatically turned off when the port pin is configured as an output. The pull-ups are disabled on a Power-on Reset.

**FIGURE 3-3: BLOCK DIAGRAM OF RB3:RB0 PINS**



Four of the PORTB pins, RB7:RB4, have an interrupt-on-change feature. Only pins configured as inputs can cause this interrupt to occur (i.e., any RB7:RB4 pin configured as an output is excluded from the interrupt-on-change comparison). The input pins (of RB7:RB4) are compared with the old value latched on the last read of PORTB. The "mismatch" outputs of RB7:RB4 are OR'ed together to generate the RB Port Change Interrupt with flag bit RBIF (INTCON<0>).

This interrupt can wake the device from SLEEP. The user, in the Interrupt Service Routine, can clear the interrupt in the following manner:

- Any read or write of PORTB. This will end the mismatch condition.
- Clear flag bit RBIF.

A mismatch condition will continue to set flag bit RBIF. Reading PORTB will end the mismatch condition and allow flag bit RBIF to be cleared.

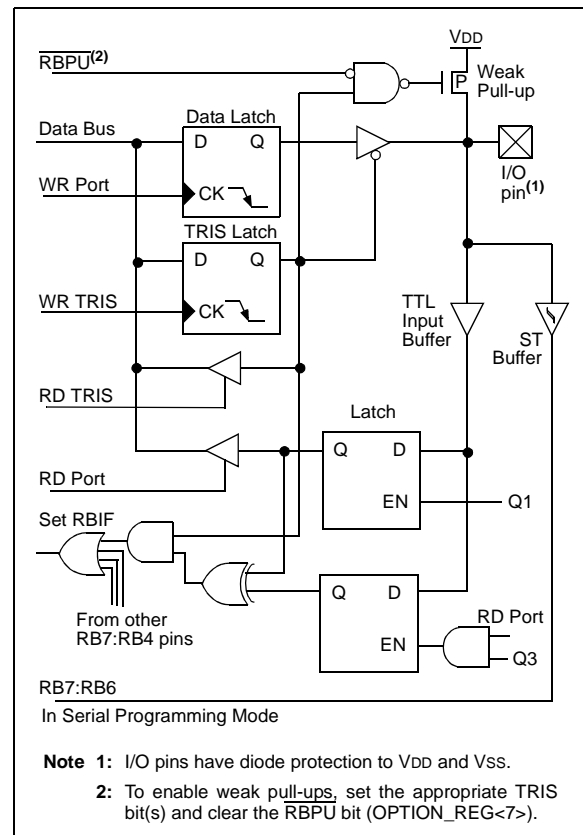
The interrupt-on-change feature is recommended for wake-up on key depression operation and operations where PORTB is only used for the interrupt-on-change feature. Polling of PORTB is not recommended while using the interrupt-on-change feature.

This interrupt-on-mismatch feature, together with software configurable pull-ups on these four pins, allow easy interface to a keypad and make it possible for wake-up on key depression. Refer to the Embedded Control Handbook, "Implementing Wake-up on Key Strokes" (AN552).

RB0/INT is an external interrupt input pin and is configured using the INTEDG bit (OPTION\_REG<6>).

RB0/INT is discussed in detail in Section 12.10.1.

**FIGURE 3-4: BLOCK DIAGRAM OF RB7:RB4 PINS**



# PIC16F87X

**TABLE 3-3: PORTB FUNCTIONS**

| Name                   | Bit# | Buffer                | Function   |
|------------------------|------|-----------------------|--|
| RB0/INT                | bit0 | TTL/ST <sup>(1)</sup> | Input/output pin or external interrupt input. Internal software programmable weak pull-up.   |
| RB1                    | bit1 | TTL                   | Input/output pin. Internal software programmable weak pull-up.   |
| RB2                    | bit2 | TTL                   | Input/output pin. Internal software programmable weak pull-up.   |
| RB3/PGM <sup>(3)</sup> | bit3 | TTL                   | Input/output pin or programming pin in LVP mode. Internal software programmable weak pull-up.  |
| RB4                    | bit4 | TTL                   | Input/output pin (with interrupt-on-change). Internal software programmable weak pull-up.  |
| RB5                    | bit5 | TTL                   | Input/output pin (with interrupt-on-change). Internal software programmable weak pull-up.  |
| RB6/PGC                | bit6 | TTL/ST <sup>(2)</sup> | Input/output pin (with interrupt-on-change) or In-Circuit Debugger pin. Internal software programmable weak pull-up. Serial programming clock. |
| RB7/PGD                | bit7 | TTL/ST <sup>(2)</sup> | Input/output pin (with interrupt-on-change) or In-Circuit Debugger pin. Internal software programmable weak pull-up. Serial programming data.  |

Legend: TTL = TTL input, ST = Schmitt Trigger input

**Note 1:** This buffer is a Schmitt Trigger input when configured as the external interrupt.

**2:** This buffer is a Schmitt Trigger input when used in Serial Programming mode.

**3:** Low Voltage ICSP Programming (LVP) is enabled by default, which disables the RB3 I/O function. LVP must be disabled to enable RB3 as an I/O pin and allow maximum compatibility to the other 28-pin and 40-pin mid-range devices.

**TABLE 3-4: SUMMARY OF REGISTERS ASSOCIATED WITH PORTB**

| Address   | Name       | Bit 7                         | Bit 6  | Bit 5 | Bit 4 | Bit 3 | Bit 2 | Bit 1 | Bit 0 | Value on:<br>POR,<br>BOR | Value on<br>all other<br>RESETS |
|-----------|------------|-------------------------------|--------|-------|-------|-------|-------|-------|-------|--------------------------|---------------------------------|
| 06h, 106h | PORTB      | RB7                           | RB6    | RB5   | RB4   | RB3   | RB2   | RB1   | RB0   | xxxx xxxx                | uuuu uuuu                       |
| 86h, 186h | TRISB      | PORTB Data Direction Register |        |       |       |       |       |       |       | 1111 1111                | 1111 1111                       |
| 81h, 181h | OPTION_REG | RBPU                          | INTEDG | T0CS  | T0SE  | PSA   | PS2   | PS1   | PS0   | 1111 1111                | 1111 1111                       |

Legend: x = unknown, u = unchanged. Shaded cells are not used by PORTB.



## 3.3 PORTC and the TRISC Register

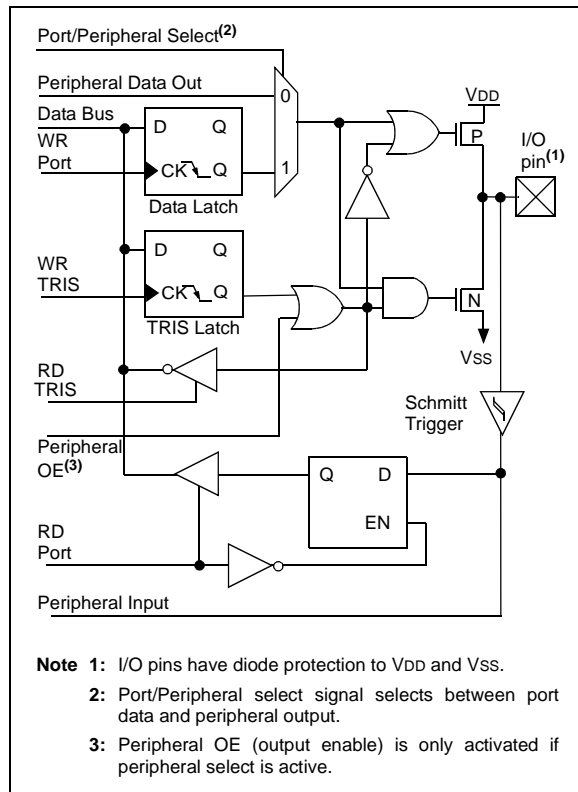
PORTC is an 8-bit wide, bi-directional port. The corresponding data direction register is TRISC. Setting a TRISC bit (= 1) will make the corresponding PORTC pin an input (i.e., put the corresponding output driver in a Hi-Impedance mode). Clearing a TRISC bit (= 0) will make the corresponding PORTC pin an output (i.e., put the contents of the output latch on the selected pin).

PORTC is multiplexed with several peripheral functions (Table 3-5). PORTC pins have Schmitt Trigger input buffers.

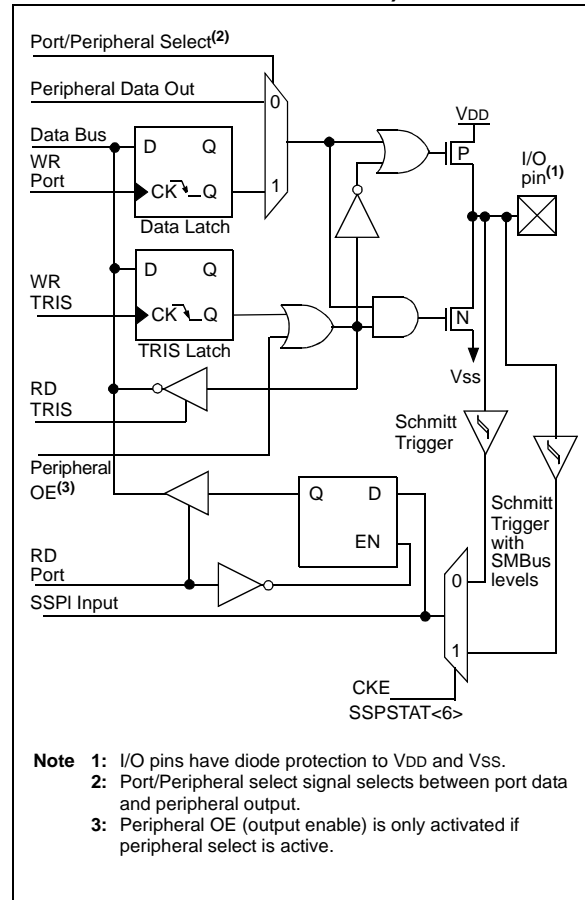
When the I<sup>2</sup>C module is enabled, the PORTC<4:3> pins can be configured with normal I<sup>2</sup>C levels, or with SMBus levels by using the CKE bit (SSPSTAT<6>).

When enabling peripheral functions, care should be taken in defining TRIS bits for each PORTC pin. Some peripherals override the TRIS bit to make a pin an output, while other peripherals override the TRIS bit to make a pin an input. Since the TRIS bit override is in effect while the peripheral is enabled, read-modify-write instructions (BSF, BCF, XORWF) with TRISC as destination, should be avoided. The user should refer to the corresponding peripheral section for the correct TRIS bit settings.

**FIGURE 3-5: PORTC BLOCK DIAGRAM (PERIPHERAL OUTPUT OVERRIDE) RC<2:0>, RC<7:5>**



**FIGURE 3-6: PORTC BLOCK DIAGRAM (PERIPHERAL OUTPUT OVERRIDE) RC<4:3>**



# PIC16F87X

**TABLE 3-5: PORTC FUNCTIONS**

| Name            | Bit# | Buffer Type | Function  |
|-----------------|------|-------------|---|
| RC0/T1OSO/T1CKI | bit0 | ST          | Input/output port pin or Timer1 oscillator output/Timer1 clock input.                           |
| RC1/T1OSI/CCP2  | bit1 | ST          | Input/output port pin or Timer1 oscillator input or Capture2 input/Compare2 output/PWM2 output. |
| RC2/CCP1        | bit2 | ST          | Input/output port pin or Capture1 input/Compare1 output/PWM1 output.                            |
| RC3/SCK/SCL     | bit3 | ST          | RC3 can also be the synchronous serial clock for both SPI and I <sup>2</sup> C modes.           |
| RC4/SDI/SDA     | bit4 | ST          | RC4 can also be the SPI Data In (SPI mode) or data I/O (I <sup>2</sup> C mode).                 |
| RC5/SDO         | bit5 | ST          | Input/output port pin or Synchronous Serial Port data output.                                   |
| RC6/TX/CK       | bit6 | ST          | Input/output port pin or USART Asynchronous Transmit or Synchronous Clock.                      |
| RC7/RX/DT       | bit7 | ST          | Input/output port pin or USART Asynchronous Receive or Synchronous Data.                        |

Legend: ST = Schmitt Trigger input

**TABLE 3-6: SUMMARY OF REGISTERS ASSOCIATED WITH PORTC**

| Address | Name  | Bit 7                         | Bit 6 | Bit 5 | Bit 4 | Bit 3 | Bit 2 | Bit 1 | Bit 0 | Value on:<br>POR,<br>BOR | Value on all<br>other<br>RESETS |
|---------|-------|-------------------------------|-------|-------|-------|-------|-------|-------|-------|--------------------------|---------------------------------|
| 07h     | PORTC | RC7                           | RC6   | RC5   | RC4   | RC3   | RC2   | RC1   | RC0   | xxxx xxxx                | uuuu uuuu                       |
| 87h     | TRISC | PORTC Data Direction Register |       |       |       |       |       |       |       | 1111 1111                | 1111 1111                       |

Legend: x = unknown, u = unchanged

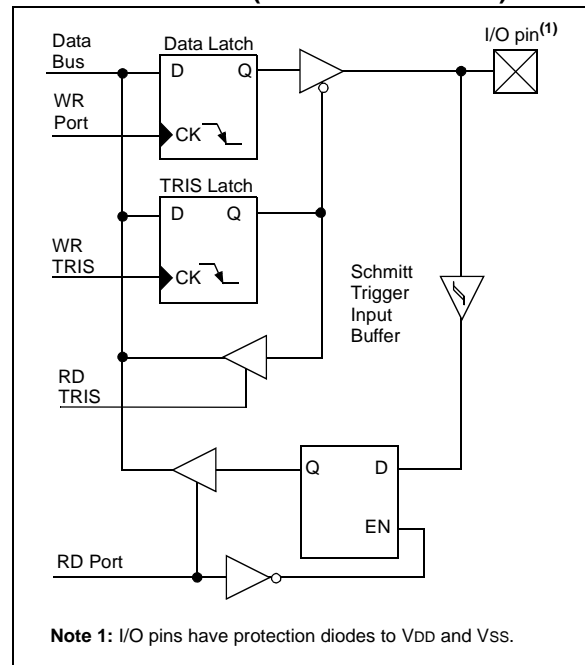
## 3.4 PORTD and TRISD Registers

PORTD and TRISD are not implemented on the PIC16F873 or PIC16F876.

PORTD is an 8-bit port with Schmitt Trigger input buffers. Each pin is individually configureable as an input or output.

PORTD can be configured as an 8-bit wide microprocessor port (parallel slave port) by setting control bit PSPMODE (TRISE<4>). In this mode, the input buffers are TTL.

**FIGURE 3-7: PORTD BLOCK DIAGRAM (IN I/O PORT MODE)**



**TABLE 3-7: PORTD FUNCTIONS**

| Name     | Bit# | Buffer Type           | Function   |
|----------|------|-----------------------|--|
| RD0/PSP0 | bit0 | ST/TTL <sup>(1)</sup> | Input/output port pin or parallel slave port bit0. |
| RD1/PSP1 | bit1 | ST/TTL <sup>(1)</sup> | Input/output port pin or parallel slave port bit1. |
| RD2/PSP2 | bit2 | ST/TTL <sup>(1)</sup> | Input/output port pin or parallel slave port bit2. |
| RD3/PSP3 | bit3 | ST/TTL <sup>(1)</sup> | Input/output port pin or parallel slave port bit3. |
| RD4/PSP4 | bit4 | ST/TTL <sup>(1)</sup> | Input/output port pin or parallel slave port bit4. |
| RD5/PSP5 | bit5 | ST/TTL <sup>(1)</sup> | Input/output port pin or parallel slave port bit5. |
| RD6/PSP6 | bit6 | ST/TTL <sup>(1)</sup> | Input/output port pin or parallel slave port bit6. |
| RD7/PSP7 | bit7 | ST/TTL <sup>(1)</sup> | Input/output port pin or parallel slave port bit7. |

Legend: ST = Schmitt Trigger input, TTL = TTL input

**Note 1:** Input buffers are Schmitt Triggers when in I/O mode and TTL buffers when in Parallel Slave Port mode.

**TABLE 3-8: SUMMARY OF REGISTERS ASSOCIATED WITH PORTD**

| Address | Name  | Bit 7                         | Bit 6 | Bit 5 | Bit 4   | Bit 3 | Bit 2                     | Bit 1 | Bit 0 | Value on: POR, BOR | Value on all other RESETS |
|---------|-------|-------------------------------|-------|-------|---------|-------|---------------------------|-------|-------|--------------------|---------------------------|
| 08h     | PORTD | RD7                           | RD6   | RD5   | RD4     | RD3   | RD2                       | RD1   | RD0   | xxxx xxxx          | uuuu uuuu                 |
| 88h     | TRISD | PORTD Data Direction Register |       |       |         |       |                           |       |       | 1111 1111          | 1111 1111                 |
| 89h     | TRISE | IBF                           | OBF   | IBOV  | PSPMODE | —     | PORTE Data Direction Bits |       |       | 0000 -111          | 0000 -111                 |

Legend: x = unknown, u = unchanged, - = unimplemented, read as '0'. Shaded cells are not used by PORTD.

# PIC16F87X

## 3.5 PORTE and TRISE Register

PORTE and TRISE are not implemented on the PIC16F873 or PIC16F876.

PORTE has three pins (RE0/ $\overline{RD}$ /AN5, RE1/ $\overline{WR}$ /AN6, and RE2/ $\overline{CS}$ /AN7) which are individually configurable as inputs or outputs. These pins have Schmitt Trigger input buffers.

The PORTE pins become the I/O control inputs for the microprocessor port when bit PSPMODE (TRISE<4>) is set. In this mode, the user must make certain that the TRISE<2:0> bits are set, and that the pins are configured as digital inputs. Also ensure that ADCON1 is configured for digital I/O. In this mode, the input buffers are TTL.

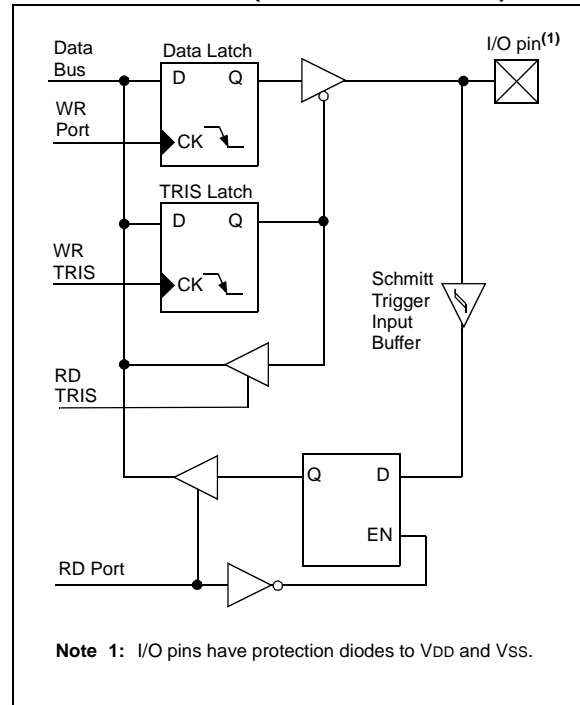
Register 3-1 shows the TRISE register, which also controls the parallel slave port operation.

PORTE pins are multiplexed with analog inputs. When selected for analog input, these pins will read as '0's.

TRISE controls the direction of the RE pins, even when they are being used as analog inputs. The user must make sure to keep the pins configured as inputs when using them as analog inputs.

**Note:** On a Power-on Reset, these pins are configured as analog inputs, and read as '0'.

**FIGURE 3-8: PORTE BLOCK DIAGRAM (IN I/O PORT MODE)**



**TABLE 3-9: PORTE FUNCTIONS**

| Name                      | Bit# | Buffer Type           | Function  |
|---------------------------|------|-----------------------|---|
| RE0/ $\overline{RD}$ /AN5 | bit0 | ST/TTL <sup>(1)</sup> | I/O port pin or read control input in Parallel Slave Port mode or analog input:<br>$\overline{RD}$<br>1 = Idle<br>0 = Read operation. Contents of PORTD register are output to PORTD I/O pins (if chip selected)  |
| RE1/ $\overline{WR}$ /AN6 | bit1 | ST/TTL <sup>(1)</sup> | I/O port pin or write control input in Parallel Slave Port mode or analog input:<br>$\overline{WR}$<br>1 = Idle<br>0 = Write operation. Value of PORTD I/O pins is latched into PORTD register (if chip selected) |
| RE2/ $\overline{CS}$ /AN7 | bit2 | ST/TTL <sup>(1)</sup> | I/O port pin or chip select control input in Parallel Slave Port mode or analog input:<br>$\overline{CS}$<br>1 = Device is not selected<br>0 = Device is selected   |

Legend: ST = Schmitt Trigger input, TTL = TTL input

**Note 1:** Input buffers are Schmitt Triggers when in I/O mode and TTL buffers when in Parallel Slave Port mode.

**TABLE 3-10: SUMMARY OF REGISTERS ASSOCIATED WITH PORTE**

| Address | Name   | Bit 7 | Bit 6 | Bit 5 | Bit 4   | Bit 3 | Bit 2                     | Bit 1 | Bit 0 | Value on: POR, BOR | Value on all other RESETS |
|---------|--------|-------|-------|-------|---------|-------|---------------------------|-------|-------|--------------------|---------------------------|
| 09h     | PORTE  | —     | —     | —     | —       | —     | RE2                       | RE1   | RE0   | ---- -xxx          | ---- -uuu                 |
| 89h     | TRISE  | IBF   | OBF   | IBOV  | PSPMODE | —     | PORTE Data Direction Bits |       |       | 0000 -111          | 0000 -111                 |
| 9Fh     | ADCON1 | ADFM  | —     | —     | —       | PCFG3 | PCFG2                     | PCFG1 | PCFG0 | --0- 0000          | --0- 0000                 |

Legend: x = unknown, u = unchanged, - = unimplemented, read as '0'. Shaded cells are not used by PORTE.

## REGISTER 3-1: TRISE REGISTER (ADDRESS 89h)

| R-0   | R-0 | R/W-0 | R/W-0   | U-0 | R/W-1 | R/W-1 | R/W-1 |
|-------|-----|-------|---------|-----|-------|-------|-------|
| IBF   | OBF | IBOV  | PSPMODE | —   | Bit2  | Bit1  | Bit0  |
| bit 7 |     |       |         |     |       |       | bit 0 |

### Parallel Slave Port Status/Control Bits:

- bit 7 **IBF:** Input Buffer Full Status bit  
 1 = A word has been received and is waiting to be read by the CPU  
 0 = No word has been received
- bit 6 **OBF:** Output Buffer Full Status bit  
 1 = The output buffer still holds a previously written word  
 0 = The output buffer has been read
- bit 5 **IBOV:** Input Buffer Overflow Detect bit (in Microprocessor mode)  
 1 = A write occurred when a previously input word has not been read (must be cleared in software)  
 0 = No overflow occurred
- bit 4 **PSPMODE:** Parallel Slave Port Mode Select bit  
 1 = PORTD functions in Parallel Slave Port mode  
 0 = PORTD functions in general purpose I/O mode
- bit 3 **Unimplemented:** Read as '0'
- PORTE Data Direction Bits:**
- bit 2 **Bit2:** Direction Control bit for pin RE2/ $\overline{\text{CS}}$ /AN7  
 1 = Input  
 0 = Output
- bit 1 **Bit1:** Direction Control bit for pin RE1/ $\overline{\text{WR}}$ /AN6  
 1 = Input  
 0 = Output
- bit 0 **Bit0:** Direction Control bit for pin RE0/ $\overline{\text{RD}}$ /AN5  
 1 = Input  
 0 = Output

### Legend:

|                    |                  |  |
|--------------------|------------------|--|
| R = Readable bit   | W = Writable bit | U = Unimplemented bit, read as '0'         |
| - n = Value at POR | '1' = Bit is set | '0' = Bit is cleared    x = Bit is unknown |

# PIC16F87X

## 3.6 Parallel Slave Port

The Parallel Slave Port (PSP) is not implemented on the PIC16F873 or PIC16F876.

PORTD operates as an 8-bit wide Parallel Slave Port or microprocessor port, when control bit PSMODE (TRISE<4>) is set. In Slave mode, it is asynchronously readable and writable by the external world through  $\overline{RD}$  control input pin RE0/ $\overline{RD}$  and  $\overline{WR}$  control input pin RE1/ $\overline{WR}$ .

The PSP can directly interface to an 8-bit microprocessor data bus. The external microprocessor can read or write the PORTD latch as an 8-bit latch. Setting bit PSMODE enables port pin RE0/ $\overline{RD}$  to be the  $\overline{RD}$  input, RE1/ $\overline{WR}$  to be the  $\overline{WR}$  input and RE2/ $\overline{CS}$  to be the  $\overline{CS}$  (chip select) input. For this functionality, the corresponding data direction bits of the TRISE register (TRISE<2:0>) must be configured as inputs (set). The A/D port configuration bits PCFG3:PCFG0 (ADCON1<3:0>) must be set to configure pins RE2:RE0 as digital I/O.

There are actually two 8-bit latches: one for data output, and one for data input. The user writes 8-bit data to the PORTD data latch and reads data from the port pin latch (note that they have the same address). In this mode, the TRISD register is ignored, since the external device is controlling the direction of data flow.

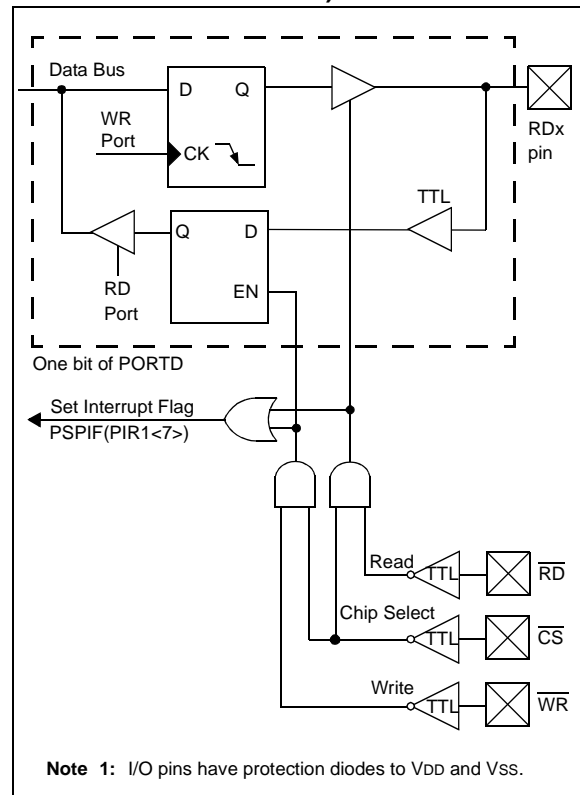
A write to the PSP occurs when both the  $\overline{CS}$  and  $\overline{WR}$  lines are first detected low. When either the  $\overline{CS}$  or  $\overline{WR}$  lines become high (level triggered), the Input Buffer Full (IBF) status flag bit (TRISE<7>) is set on the Q4 clock cycle, following the next Q2 cycle, to signal the write is complete (Figure 3-10). The interrupt flag bit PSPIF (PIR1<7>) is also set on the same Q4 clock cycle. IBF can only be cleared by reading the PORTD input latch. The Input Buffer Overflow (IBOV) status flag bit (TRISE<5>) is set if a second write to the PSP is attempted when the previous byte has not been read out of the buffer.

A read from the PSP occurs when both the  $\overline{CS}$  and  $\overline{RD}$  lines are first detected low. The Output Buffer Full (OBF) status flag bit (TRISE<6>) is cleared immediately (Figure 3-11), indicating that the PORTD latch is waiting to be read by the external bus. When either the  $\overline{CS}$  or  $\overline{RD}$  pin becomes high (level triggered), the interrupt flag bit PSPIF is set on the Q4 clock cycle, following the next Q2 cycle, indicating that the read is complete. OBF remains low until data is written to PORTD by the user firmware.

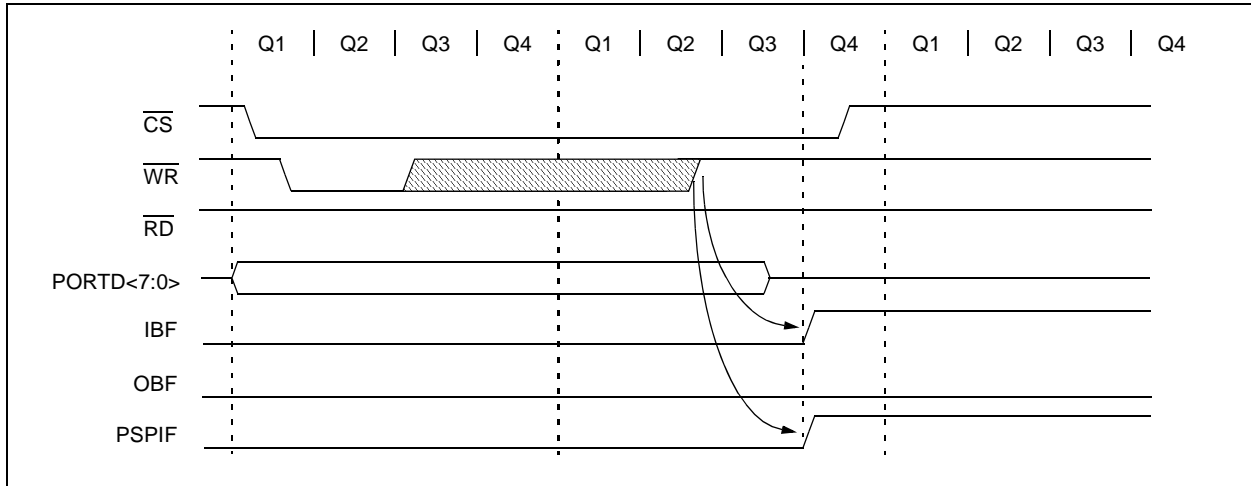
When not in PSP mode, the IBF and OBF bits are held clear. However, if flag bit IBOV was previously set, it must be cleared in firmware.

An interrupt is generated and latched into flag bit PSPIF when a read or write operation is completed. PSPIF must be cleared by the user in firmware and the interrupt can be disabled by clearing the interrupt enable bit PSPIE (PIE1<7>).

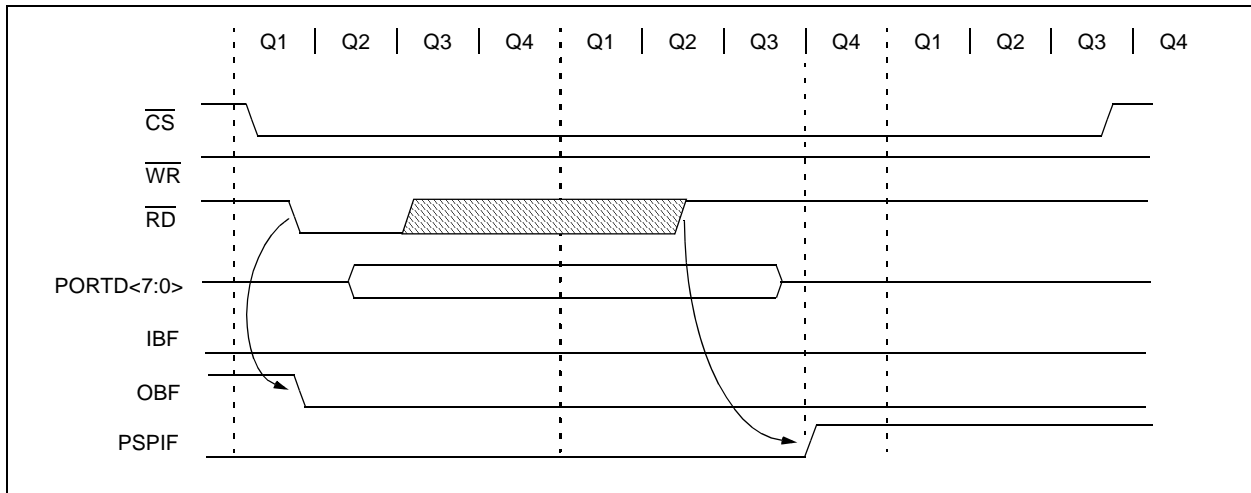
**FIGURE 3-9: PORTD AND PORTE BLOCK DIAGRAM (PARALLEL SLAVE PORT)**



**FIGURE 3-10: PARALLEL SLAVE PORT WRITE WAVEFORMS**



**FIGURE 3-11: PARALLEL SLAVE PORT READ WAVEFORMS**



**TABLE 3-11: REGISTERS ASSOCIATED WITH PARALLEL SLAVE PORT**

| Address | Name   | Bit 7   | Bit 6 | Bit 5 | Bit 4   | Bit 3 | Bit 2                     | Bit 1  | Bit 0  | Value on:<br>POR, BOR | Value on<br>all other<br>RESETS |
|---------|--------|---|-------|-------|---------|-------|---------------------------|--------|--------|-----------------------|---------------------------------|
| 08h     | PORTD  | Port Data Latch when written: Port pins when read |       |       |         |       |                           |        |        | xxxx xxxx             | uuuu uuuu                       |
| 09h     | PORTE  | —   | —     | —     | —       | —     | RE2                       | RE1    | RE0    | ---- -xxx             | ---- -uuu                       |
| 89h     | TRISE  | IBF   | OBF   | IBOV  | PSPMODE | —     | PORTE Data Direction Bits |        |        | 0000 -111             | 0000 -111                       |
| 0Ch     | PIR1   | PSPIF <sup>(1)</sup>                              | ADIF  | RCIF  | TXIF    | SSPIF | CCP1IF                    | TMR2IF | TMR1IF | 0000 0000             | 0000 0000                       |
| 8Ch     | PIE1   | PSPIE <sup>(1)</sup>                              | ADIE  | RCIE  | TXIE    | SSPIE | CCP1IE                    | TMR2IE | TMR1IE | 0000 0000             | 0000 0000                       |
| 9Fh     | ADCON1 | ADFM  | —     | —     | —       | PCFG3 | PCFG2                     | PCFG1  | PCFG0  | --0- 0000             | --0- 0000                       |

Legend: x = unknown, u = unchanged, - = unimplemented, read as '0'. Shaded cells are not used by the Parallel Slave Port.

**Note 1:** Bits PSPIE and PSPIF are reserved on the PIC16F873/876; always maintain these bits clear.

# PIC16F87X

---

---

NOTES:



## 4.0 DATA EEPROM AND FLASH PROGRAM MEMORY

The Data EEPROM and FLASH Program Memory are readable and writable during normal operation over the entire VDD range. These operations take place on a single byte for Data EEPROM memory and a single word for Program memory. A write operation causes an erase-then-write operation to take place on the specified byte or word. A bulk erase operation may not be issued from user code (which includes removing code protection).

Access to program memory allows for checksum calculation. The values written to program memory do not need to be valid instructions. Therefore, up to 14-bit numbers can be stored in memory for use as calibration parameters, serial numbers, packed 7-bit ASCII, etc. Executing a program memory location containing data that form an invalid instruction, results in the execution of a NOP instruction.

The EEPROM Data memory is rated for high erase/write cycles (specification D120). The FLASH program memory is rated much lower (specification D130), because EEPROM data memory can be used to store frequently updated values. An on-chip timer controls the write time and it will vary with voltage and temperature, as well as from chip to chip. Please refer to the specifications for exact limits (specifications D122 and D133).

A byte or word write automatically erases the location and writes the new value (erase before write). Writing to EEPROM data memory does not impact the operation of the device. Writing to program memory will cease the execution of instructions until the write is complete. The program memory cannot be accessed during the write. During the write operation, the oscillator continues to run, the peripherals continue to function and interrupt events will be detected and essentially “queued” until the write is complete. When the write completes, the next instruction in the pipeline is executed and the branch to the interrupt vector will take place, if the interrupt is enabled and occurred during the write.

Read and write access to both memories take place indirectly through a set of Special Function Registers (SFR). The six SFRs used are:

- EEDATA
- EEDATH
- EEADR
- EEADRH
- EECON1
- EECON2

The EEPROM data memory allows byte read and write operations without interfering with the normal operation of the microcontroller. When interfacing to EEPROM data memory, the EEADR register holds the address to be accessed. Depending on the operation, the EEDATA register holds the data to be written, or the data read, at the address in EEADR. The PIC16F873/874 devices have 128 bytes of EEPROM data memory and therefore, require that the MSb of EEADR remain clear. The EEPROM data memory on these devices do not wrap around to 0, i.e., 0x80 in the EEADR does not map to 0x00. The PIC16F876/877 devices have 256 bytes of EEPROM data memory and therefore, uses all 8-bits of the EEADR.

The FLASH program memory allows non-intrusive read access, but write operations cause the device to stop executing instructions, until the write completes. When interfacing to the program memory, the EEADRH:EEADR registers form a two-byte word, which holds the 13-bit address of the memory location being accessed. The register combination of EEDATH:EEDATA holds the 14-bit data for writes, or reflects the value of program memory after a read operation. Just as in EEPROM data memory accesses, the value of the EEADRH:EEADR registers must be within the valid range of program memory, depending on the device: 0000h to 1FFFh for the PIC16F873/874, or 0000h to 3FFFh for the PIC16F876/877. Addresses outside of this range do not wrap around to 0000h (i.e., 4000h does not map to 0000h on the PIC16F877).

### 4.1 EECON1 and EECON2 Registers

The EECON1 register is the control register for configuring and initiating the access. The EECON2 register is not a physically implemented register, but is used exclusively in the memory write sequence to prevent inadvertent writes.

There are many bits used to control the read and write operations to EEPROM data and FLASH program memory. The EEPGD bit determines if the access will be a program or data memory access. When clear, any subsequent operations will work on the EEPROM data memory. When set, all subsequent operations will operate in the program memory.

Read operations only use one additional bit, RD, which initiates the read operation from the desired memory location. Once this bit is set, the value of the desired memory location will be available in the data registers. This bit cannot be cleared by firmware. It is automatically cleared at the end of the read operation. For EEPROM data memory reads, the data will be available in the EEDATA register in the very next instruction cycle after the RD bit is set. For program memory reads, the data will be loaded into the EEDATH:EEDATA registers, following the second instruction after the RD bit is set.

# PIC16F87X

Write operations have two control bits, WR and WREN, and two status bits, WRERR and EEIF. The WREN bit is used to enable or disable the write operation. When WREN is clear, the write operation will be disabled. Therefore, the WREN bit must be set before executing a write operation. The WR bit is used to initiate the write operation. It also is automatically cleared at the end of the write operation. The interrupt flag EEIF is used to determine when the memory write completes. This flag must be cleared in software before setting the WR bit. For EEPROM data memory, once the WREN bit and the WR bit have been set, the desired memory address in EEADR will be erased, followed by a write of the data in EEDATA. This operation takes place in parallel with the microcontroller continuing to execute normally. When the write is complete, the EEIF flag bit will be set. For program memory, once the WREN bit and the WR bit have been set, the microcontroller will cease to execute

instructions. The desired memory location pointed to by EEADRH:EEADR will be erased. Then, the data value in EEDATH:EEDATA will be programmed. When complete, the EEIF flag bit will be set and the microcontroller will continue to execute code.

The WRERR bit is used to indicate when the PIC16F87X device has been reset during a write operation. WRERR should be cleared after Power-on Reset. Thereafter, it should be checked on any other RESET. The WRERR bit is set when a write operation is interrupted by a MCLR Reset, or a WDT Time-out Reset, during normal operation. In these situations, following a RESET, the user should check the WRERR bit and rewrite the memory location, if set. The contents of the data registers, address registers and EEPGD bit are not affected by either MCLR Reset, or WDT Time-out Reset, during normal operation.

## REGISTER 4-1: EECON1 REGISTER (ADDRESS 18Ch)

| R/W-x | U-0 | U-0 | U-0 | R/W-x | R/W-0 | R/S-0 | R/S-0 |
|-------|-----|-----|-----|-------|-------|-------|-------|
| EEPGD | —   | —   | —   | WRERR | WREN  | WR    | RD    |
| bit 7 |     |     |     | bit 0 |       |       |       |

- bit 7 **EEPGD:** Program/Data EEPROM Select bit  
 1 = Accesses program memory  
 0 = Accesses data memory  
 (This bit cannot be changed while a read or write operation is in progress)
- bit 6-4 **Unimplemented:** Read as '0'
- bit 3 **WRERR:** EEPROM Error Flag bit  
 1 = A write operation is prematurely terminated  
 (any MCLR Reset or any WDT Reset during normal operation)  
 0 = The write operation completed
- bit 2 **WREN:** EEPROM Write Enable bit  
 1 = Allows write cycles  
 0 = Inhibits write to the EEPROM
- bit 1 **WR:** Write Control bit  
 1 = Initiates a write cycle. (The bit is cleared by hardware once write is complete. The WR bit can only be set (not cleared) in software.)  
 0 = Write cycle to the EEPROM is complete
- bit 0 **RD:** Read Control bit  
 1 = Initiates an EEPROM read. (RD is cleared in hardware. The RD bit can only be set (not cleared) in software.)  
 0 = Does not initiate an EEPROM read

|                    |                  |                                    |                    |
|--------------------|------------------|------------------------------------|--------------------|
| Legend:            |                  |                                    |                    |
| R = Readable bit   | W = Writable bit | U = Unimplemented bit, read as '0' |                    |
| - n = Value at POR | '1' = Bit is set | '0' = Bit is cleared               | x = Bit is unknown |

## 4.2 Reading the EEPROM Data Memory

Reading EEPROM data memory only requires that the desired address to access be written to the EEADR register and clear the EEPGD bit. After the RD bit is set, data will be available in the EEDATA register on the very next instruction cycle. EEDATA will hold this value until another read operation is initiated or until it is written by firmware.

The steps to reading the EEPROM data memory are:

1. Write the address to EEADR. Make sure that the address is not larger than the memory size of the PIC16F87X device.
2. Clear the EEPGD bit to point to EEPROM data memory.
3. Set the RD bit to start the read operation.
4. Read the data from the EEDATA register.

### EXAMPLE 4-1: EEPROM DATA READ

```
BSF    STATUS, RP1    ;
BCF    STATUS, RP0    ;Bank 2
MOVF   ADDR, W        ;Write address
MOVWF  EEADR          ;to read from
BSF    STATUS, RP0    ;Bank 3
BCF    EECON1, EEPGD ;Point to Data memory
BSF    EECON1, RD     ;Start read operation
BCF    STATUS, RP0    ;Bank 2
MOVF   EEDATA, W     ;W = EEDATA
```

## 4.3 Writing to the EEPROM Data Memory

There are many steps in writing to the EEPROM data memory. Both address and data values must be written to the SFRs. The EEPGD bit must be cleared, and the WREN bit must be set, to enable writes. The WREN bit should be kept clear at all times, except when writing to the EEPROM data. The WR bit can only be set if the WREN bit was set in a previous operation, i.e., they both cannot be set in the same operation. The WREN bit should then be cleared by firmware after the write. Clearing the WREN bit before the write actually completes will not terminate the write in progress.

Writes to EEPROM data memory must also be prefaced with a special sequence of instructions, that prevent inadvertent write operations. This is a sequence of five instructions that must be executed without interruptions. The firmware should verify that a write is not in progress, before starting another cycle.

The steps to write to EEPROM data memory are:

1. If step 10 is not implemented, check the WR bit to see if a write is in progress.
2. Write the address to EEADR. Make sure that the address is not larger than the memory size of the PIC16F87X device.
3. Write the 8-bit data value to be programmed in the EEDATA register.
4. Clear the EEPGD bit to point to EEPROM data memory.
5. Set the WREN bit to enable program operations.
6. Disable interrupts (if enabled).
7. Execute the special five instruction sequence:
  - Write 55h to EECON2 in two steps (first to W, then to EECON2)
  - Write AAh to EECON2 in two steps (first to W, then to EECON2)
  - Set the WR bit
8. Enable interrupts (if using interrupts).
9. Clear the WREN bit to disable program operations.
10. At the completion of the write cycle, the WR bit is cleared and the EEIF interrupt flag bit is set. (EEIF must be cleared by firmware.) If step 1 is not implemented, then firmware should check for EEIF to be set, or WR to clear, to indicate the end of the program cycle.

### EXAMPLE 4-2: EEPROM DATA WRITE

```
BSF    STATUS, RP1    ;
BSF    STATUS, RP0    ;Bank 3
BTFSC  EECON1, WR     ;Wait for
GOTO   $-1            ;write to finish
BCF    STATUS, RP0    ;Bank 2
MOVF   ADDR, W        ;Address to
MOVWF  EEADR          ;write to
MOVF   VALUE, W       ;Data to
MOVWF  EEDATA         ;write
BSF    STATUS, RP0    ;Bank 3
BCF    EECON1, EEPGD ;Point to Data memory
BSF    EECON1, WREN  ;Enable writes
                        ;Only disable interrupts
BCF    INTCON, GIE    ;if already enabled,
                        ;otherwise discard
MOVLW  0x55           ;Write 55h to
MOVWF  EECON2         ;EECON2
MOVLW  0xAA           ;Write AAh to
MOVWF  EECON2         ;EECON2
BSF    EECON1, WR     ;Start write operation
                        ;Only enable interrupts
BSF    INTCON, GIE    ;if using interrupts,
                        ;otherwise discard
BCF    EECON1, WREN  ;Disable writes
```

# PIC16F87X

## 4.4 Reading the FLASH Program Memory

Reading FLASH program memory is much like that of EEPROM data memory, only two `NOP` instructions must be inserted after the `RD` bit is set. These two instruction cycles that the `NOP` instructions execute, will be used by the microcontroller to read the data out of program memory and insert the value into the `EEDATH:EEDATA` registers. Data will be available following the second `NOP` instruction. `EEDATH` and `EEDATA` will hold their value until another read operation is initiated, or until they are written by firmware.

The steps to reading the FLASH program memory are:

1. Write the address to `EEADRH:EEADR`. Make sure that the address is not larger than the memory size of the PIC16F87X device.
2. Set the `EEPGD` bit to point to FLASH program memory.
3. Set the `RD` bit to start the read operation.
4. Execute two `NOP` instructions to allow the microcontroller to read out of program memory.
5. Read the data from the `EEDATH:EEDATA` registers.

### EXAMPLE 4-3: FLASH PROGRAM READ

```
BSF    STATUS, RP1    ;
BCF    STATUS, RP0    ;Bank 2
MOVF   ADDR, W        ;Write the
MOVWF  EEADR          ;address bytes
MOVF   ADDRH, W       ;for the desired
MOVWF  EEADRH        ;address to read
BSF    STATUS, RP0    ;Bank 3
BSF    EECON1, EEPGD ;Point to Program memory
BSF    EECON1, RD     ;Start read operation
NOP    ;Required two NOPs
NOP    ;
BCF    STATUS, RP0    ;Bank 2
MOVF   EEDATA, W      ;DATAH = EEDATA
MOVWF  DATAH        ;
MOVF   EEDATH, W     ;DATAH = EEDATH
MOVWF  DATAH        ;
```

## 4.5 Writing to the FLASH Program Memory

Writing to FLASH program memory is unique, in that the microcontroller does not execute instructions while programming is taking place. The oscillator continues to run and all peripherals continue to operate and queue interrupts, if enabled. Once the write operation completes (specification D133), the processor begins executing code from where it left off. The other important difference when writing to FLASH program memory, is that the `WRT` configuration bit, when clear, prevents any writes to program memory (see Table 4-1).

Just like EEPROM data memory, there are many steps in writing to the FLASH program memory. Both address and data values must be written to the SFRs. The `EEPGD` bit must be set, and the `WREN` bit must be set to enable writes. The `WREN` bit should be kept clear at all times, except when writing to the FLASH Program memory. The `WR` bit can only be set if the `WREN` bit was set in a previous operation, i.e., they both cannot be set in the same operation. The `WREN` bit should then be cleared by firmware after the write. Clearing the `WREN` bit before the write actually completes will not terminate the write in progress.

Writes to program memory must also be prefaced with a special sequence of instructions that prevent inadvertent write operations. This is a sequence of five instructions that must be executed without interruption for each byte written. These instructions must then be followed by two `NOP` instructions to allow the microcontroller to setup for the write operation. Once the write is complete, the execution of instructions starts with the instruction after the second `NOP`.

The steps to write to program memory are:

1. Write the address to `EEADRH:EEADR`. Make sure that the address is not larger than the memory size of the PIC16F87X device.
2. Write the 14-bit data value to be programmed in the `EEDATH:EEDATA` registers.
3. Set the `EEPGD` bit to point to FLASH program memory.
4. Set the `WREN` bit to enable program operations.
5. Disable interrupts (if enabled).
6. Execute the special five instruction sequence:
  - Write `55h` to `EECON2` in two steps (first to `W`, then to `EECON2`)
  - Write `AAh` to `EECON2` in two steps (first to `W`, then to `EECON2`)
  - Set the `WR` bit
7. Execute two `NOP` instructions to allow the microcontroller to setup for write operation.
8. Enable interrupts (if using interrupts).
9. Clear the `WREN` bit to disable program operations.

At the completion of the write cycle, the WR bit is cleared and the EEIF interrupt flag bit is set. (EEIF must be cleared by firmware.) Since the microcontroller does not execute instructions during the write cycle, the firmware does not necessarily have to check either EEIF, or WR, to determine if the write had finished.

#### EXAMPLE 4-4: FLASH PROGRAM WRITE

```
BSF    STATUS, RP1    ;
BCF    STATUS, RP0    ;Bank 2
MOVF   ADDR1, W      ;Write address
MOVWF  EEADR          ;of desired
MOVF   ADDR2, W      ;program memory
MOVWF  EEADR2        ;location
MOVF   VALUE1, W     ;Write value to
MOVWF  EEEDATA       ;program at
MOVF   VALUE2, W     ;desired memory
MOVWF  EEEDATA2      ;location
BSF    STATUS, RP0    ;Bank 3
BSF    EECON1, EEPGD ;Point to Program memory
BSF    EECON1, WREN  ;Enable writes
                ;Only disable interrupts
BCF    INTCON, GIE   ;if already enabled,
                ;otherwise discard
MOVLW  0x55          ;Write 55h to
MOVWF  EECON2        ;EECON2
MOVLW  0xAA          ;Write AAh to
MOVWF  EECON2        ;EECON2
BSF    EECON1, WR    ;Start write operation
NOP    ;Two NOPs to allow micro
NOP    ;to setup for write
                ;Only enable interrupts
BSF    INTCON, GIE   ;if using interrupts,
                ;otherwise discard
BCF    EECON1, WREN ;Disable writes
```

#### 4.6 Write Verify

The PIC16F87X devices do not automatically verify the value written during a write operation. Depending on the application, good programming practice may dictate that the value written to memory be verified against the original value. This should be used in applications where excessive writes can stress bits near the specified endurance limits.

#### 4.7 Protection Against Spurious Writes

There are conditions when the device may not want to write to the EEPROM data memory or FLASH program memory. To protect against these spurious write conditions, various mechanisms have been built into the PIC16F87X devices. On power-up, the WREN bit is cleared and the Power-up Timer (if enabled) prevents writes.

The write initiate sequence, and the WREN bit together, help prevent any accidental writes during brown-out, power glitches, or firmware malfunction.

#### 4.8 Operation While Code Protected

The PIC16F87X devices have two code protect mechanisms, one bit for EEPROM data memory and two bits for FLASH program memory. Data can be read and written to the EEPROM data memory, regardless of the state of the code protection bit, CPD. When code protection is enabled and CPD cleared, external access via ICSP is disabled, regardless of the state of the program memory code protect bits. This prevents the contents of EEPROM data memory from being read out of the device.

The state of the program memory code protect bits, CP0 and CP1, do not affect the execution of instructions out of program memory. The PIC16F87X devices can always read the values in program memory, regardless of the state of the code protect bits. However, the state of the code protect bits and the WRT bit will have different effects on writing to program memory. Table 4-1 shows the effect of the code protect bits and the WRT bit on program memory.

Once code protection has been enabled for either EEPROM data memory or FLASH program memory, only a full erase of the entire device will disable code protection.

# PIC16F87X

## 4.9 FLASH Program Memory Write Protection

The configuration word contains a bit that write protects the FLASH program memory, called WRT. This bit can only be accessed when programming the PIC16F87X device via ICSP. Once write protection is enabled, only an erase of the entire device will disable it. When enabled, write protection prevents any writes to FLASH program memory. Write protection does not affect program memory reads.

**TABLE 4-1: READ/WRITE STATE OF INTERNAL FLASH PROGRAM MEMORY**

| Configuration Bits |     |     | Memory Location    | Internal Read | Internal Write | ICSP Read | ICSP Write |
|--------------------|-----|-----|--------------------|---------------|----------------|-----------|------------|
| CP1                | CP0 | WRT |                    |               |                |           |            |
| 0                  | 0   | x   | All program memory | Yes           | No             | No        | No         |
| 0                  | 1   | 0   | Unprotected areas  | Yes           | No             | Yes       | No         |
| 0                  | 1   | 0   | Protected areas    | Yes           | No             | No        | No         |
| 0                  | 1   | 1   | Unprotected areas  | Yes           | Yes            | Yes       | No         |
| 0                  | 1   | 1   | Protected areas    | Yes           | No             | No        | No         |
| 1                  | 0   | 0   | Unprotected areas  | Yes           | No             | Yes       | No         |
| 1                  | 0   | 0   | Protected areas    | Yes           | No             | No        | No         |
| 1                  | 0   | 1   | Unprotected areas  | Yes           | Yes            | Yes       | No         |
| 1                  | 0   | 1   | Protected areas    | Yes           | No             | No        | No         |
| 1                  | 1   | 0   | All program memory | Yes           | No             | Yes       | Yes        |
| 1                  | 1   | 1   | All program memory | Yes           | Yes            | Yes       | Yes        |

**TABLE 4-2: REGISTERS ASSOCIATED WITH DATA EEPROM/PROGRAM FLASH**

| Address              | Name   | Bit 7  | Bit 6 | Bit 5                           | Bit 4                     | Bit 3 | Bit 2 | Bit 1 | Bit 0     | Value on: POR, BOR | Value on all other RESETS |
|----------------------|--------|--|-------|---------------------------------|---------------------------|-------|-------|-------|-----------|--------------------|---------------------------|
| 0Bh, 8Bh, 10Bh, 18Bh | INTCON | GIE  | PEIE  | T0IE                            | INTE                      | RBIE  | T0IF  | INTF  | RBIF      | 0000 000x          | 0000 000u                 |
| 10Dh                 | EEADR  | EEPROM Address Register, Low Byte                  |       |                                 |                           |       |       |       |           | xxxx xxxx          | uuuu uuuu                 |
| 10Fh                 | EEADRH | —  | —     | —                               | EEPROM Address, High Byte |       |       |       |           | xxxx xxxx          | uuuu uuuu                 |
| 10Ch                 | EEDATA | EEPROM Data Register, Low Byte                     |       |                                 |                           |       |       |       |           | xxxx xxxx          | uuuu uuuu                 |
| 10Eh                 | EEDATH | —  | —     | EEPROM Data Register, High Byte |                           |       |       |       | xxxx xxxx | uuuu uuuu          |                           |
| 18Ch                 | EECON1 | EEPGD  | —     | —                               | —                         | WRERR | WREN  | WR    | RD        | x--- x000          | x--- u000                 |
| 18Dh                 | EECON2 | EEPROM Control Register2 (not a physical register) |       |                                 |                           |       |       |       |           | —                  | —                         |
| 8Dh                  | PIE2   | —  | (1)   | —                               | EEIE                      | BCLIE | —     | —     | CCP2IE    | -r-0 0--0          | -r-0 0--0                 |
| 0Dh                  | PIR2   | —  | (1)   | —                               | EEIF                      | BCLIF | —     | —     | CCP2IF    | -r-0 0--0          | -r-0 0--0                 |

Legend: x = unknown, u = unchanged, r = reserved, - = unimplemented, read as '0'.

Shaded cells are not used during FLASH/EEPROM access.

**Note 1:** These bits are reserved; always maintain these bits clear.

## 5.0 TIMER0 MODULE

The Timer0 module timer/counter has the following features:

- 8-bit timer/counter
- Readable and writable
- 8-bit software programmable prescaler
- Internal or external clock select
- Interrupt on overflow from FFh to 00h
- Edge select for external clock

Figure 5-1 is a block diagram of the Timer0 module and the prescaler shared with the WDT.

Additional information on the Timer0 module is available in the PIC® MCU Mid-Range Family Reference Manual (DS33023).

Timer mode is selected by clearing bit T0CS (OPTION\_REG<5>). In Timer mode, the Timer0 module will increment every instruction cycle (without prescaler). If the TMR0 register is written, the increment is inhibited for the following two instruction cycles. The user can work around this by writing an adjusted value to the TMR0 register.

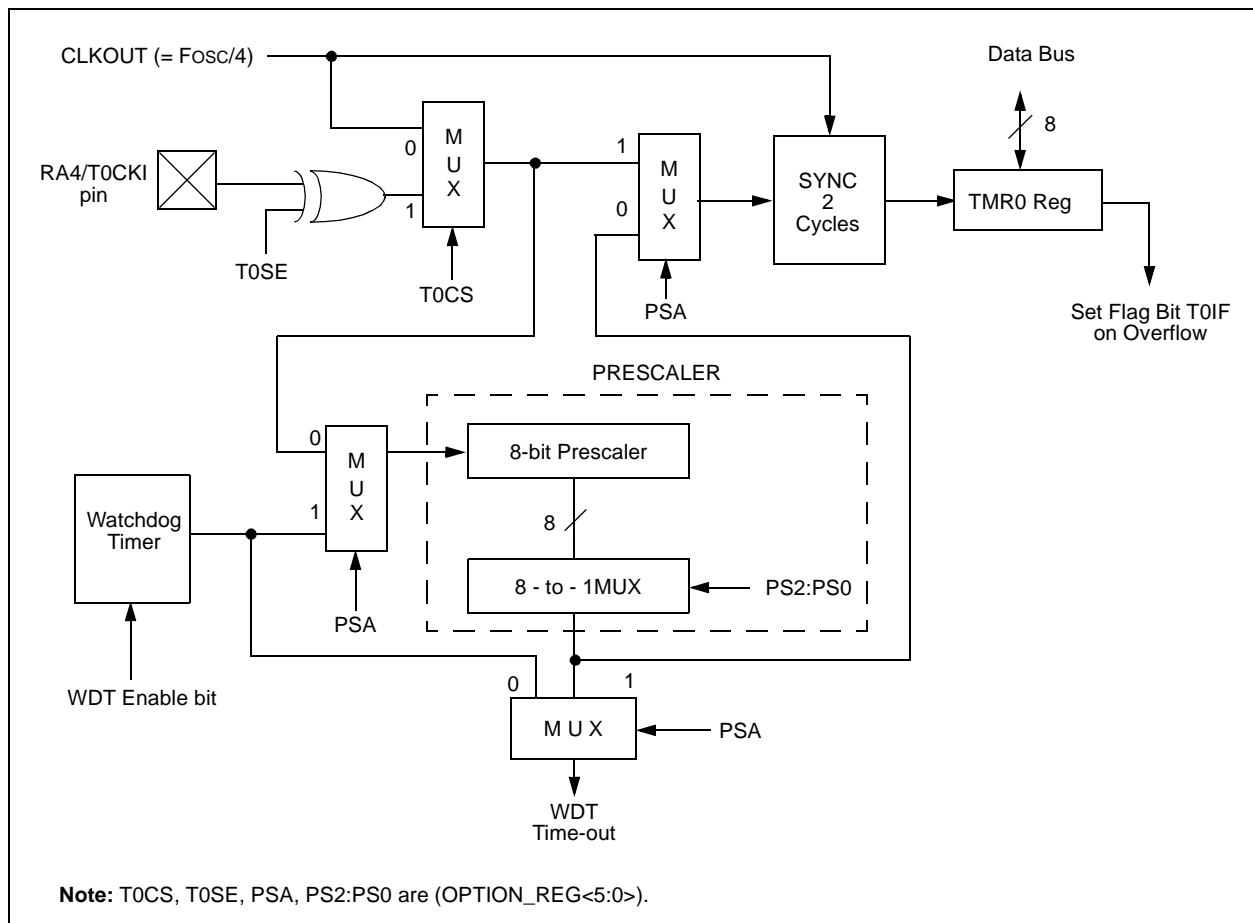
Counter mode is selected by setting bit T0CS (OPTION\_REG<5>). In Counter mode, Timer0 will increment either on every rising, or falling edge of pin RA4/T0CKI. The incrementing edge is determined by the Timer0 Source Edge Select bit, T0SE (OPTION\_REG<4>). Clearing bit T0SE selects the rising edge. Restrictions on the external clock input are discussed in detail in Section 5.2.

The prescaler is mutually exclusively shared between the Timer0 module and the Watchdog Timer. The prescaler is not readable or writable. Section 5.3 details the operation of the prescaler.

### 5.1 Timer0 Interrupt

The TMR0 interrupt is generated when the TMR0 register overflows from FFh to 00h. This overflow sets bit T0IF (INTCON<2>). The interrupt can be masked by clearing bit T0IE (INTCON<5>). Bit T0IF must be cleared in software by the Timer0 module Interrupt Service Routine before re-enabling this interrupt. The TMR0 interrupt cannot awaken the processor from SLEEP, since the timer is shut-off during SLEEP.

**FIGURE 5-1: BLOCK DIAGRAM OF THE TIMER0/WDT PRESCALER**



# PIC16F87X

## 5.2 Using Timer0 with an External Clock

When no prescaler is used, the external clock input is the same as the prescaler output. The synchronization of T0CKI with the internal phase clocks is accomplished by sampling the prescaler output on the Q2 and Q4 cycles of the internal phase clocks. Therefore, it is necessary for T0CKI to be high for at least 2Tosc (and a small RC delay of 20 ns) and low for at least 2Tosc (and a small RC delay of 20 ns). Refer to the electrical specification of the desired device.

## 5.3 Prescaler

There is only one prescaler available, which is mutually exclusively shared between the Timer0 module and the Watchdog Timer. A prescaler assignment for the

Timer0 module means that there is no prescaler for the Watchdog Timer, and vice-versa. This prescaler is not readable or writable (see Figure 5-1).

The PSA and PS2:PS0 bits (OPTION\_REG<3:0>) determine the prescaler assignment and prescale ratio.

When assigned to the Timer0 module, all instructions writing to the TMR0 register (e.g. CLRF 1, MOVWF 1, BSF 1, x....etc.) will clear the prescaler. When assigned to WDT, a CLRWDT instruction will clear the prescaler along with the Watchdog Timer. The prescaler is not readable or writable.

**Note:** Writing to TMR0, when the prescaler is assigned to Timer0, will clear the prescaler count, but will not change the prescaler assignment.

### REGISTER 5-1: OPTION\_REG REGISTER

|                          |        |       |       |       |       |       |       |
|--------------------------|--------|-------|-------|-------|-------|-------|-------|
| R/W-1                    | R/W-1  | R/W-1 | R/W-1 | R/W-1 | R/W-1 | R/W-1 | R/W-1 |
| $\overline{\text{RBPU}}$ | INTEDG | T0CS  | T0SE  | PSA   | PS2   | PS1   | PS0   |
|                          |        |       |       |       |       | bit 0 |       |
|                          |        |       |       |       |       |       | bit 7 |

- bit 7 **RBPU**
- bit 6 **INTEDG**
- bit 5 **T0CS:** TMR0 Clock Source Select bit  
1 = Transition on T0CKI pin  
0 = Internal instruction cycle clock (CLKOUT)
- bit 4 **T0SE:** TMR0 Source Edge Select bit  
1 = Increment on high-to-low transition on T0CKI pin  
0 = Increment on low-to-high transition on T0CKI pin
- bit 3 **PSA:** Prescaler Assignment bit  
1 = Prescaler is assigned to the WDT  
0 = Prescaler is assigned to the Timer0 module
- bit 2-0 **PS2:PS0:** Prescaler Rate Select bits

| Bit Value | TMR0 Rate | WDT Rate |
|-----------|-----------|----------|
| 000       | 1 : 2     | 1 : 1    |
| 001       | 1 : 4     | 1 : 2    |
| 010       | 1 : 8     | 1 : 4    |
| 011       | 1 : 16    | 1 : 8    |
| 100       | 1 : 32    | 1 : 16   |
| 101       | 1 : 64    | 1 : 32   |
| 110       | 1 : 128   | 1 : 64   |
| 111       | 1 : 256   | 1 : 128  |

**Legend:**  
 R = Readable bit                      W = Writable bit                      U = Unimplemented bit, read as '0'  
 - n = Value at POR                      '1' = Bit is set                      '0' = Bit is cleared                      x = Bit is unknown

**Note:** To avoid an unintended device RESET, the instruction sequence shown in the PIC<sup>®</sup> MCU Mid-Range Family Reference Manual (DS33023) must be executed when changing the prescaler assignment from Timer0 to the WDT. This sequence must be followed even if the WDT is disabled.



**TABLE 5-1: REGISTERS ASSOCIATED WITH TIMER0**

| Address               | Name       | Bit 7                    | Bit 6  | Bit 5 | Bit 4 | Bit 3 | Bit 2 | Bit 1 | Bit 0 | Value on:<br>POR,<br>BOR | Value on<br>all other<br>RESETS |
|-----------------------|------------|--------------------------|--------|-------|-------|-------|-------|-------|-------|--------------------------|---------------------------------|
| 01h,101h              | TMR0       | Timer0 Module's Register |        |       |       |       |       |       |       | xxxx xxxx                | uuuu uuuu                       |
| 0Bh,8Bh,<br>10Bh,18Bh | INTCON     | GIE                      | PEIE   | T0IE  | INTE  | RBIE  | T0IF  | INTF  | RBIF  | 0000 000x                | 0000 000u                       |
| 81h,181h              | OPTION_REG | RBPU                     | INTEDG | T0CS  | T0SE  | PSA   | PS2   | PS1   | PS0   | 1111 1111                | 1111 1111                       |

Legend: x = unknown, u = unchanged, - = unimplemented locations read as '0'.

Shaded cells are not used by Timer0.

# PIC16F87X

---

NOTES:

## 6.0 TIMER1 MODULE

The Timer1 module is a 16-bit timer/counter consisting of two 8-bit registers (TMR1H and TMR1L), which are readable and writable. The TMR1 Register pair (TMR1H:TMR1L) increments from 0000h to FFFFh and rolls over to 0000h. The TMR1 Interrupt, if enabled, is generated on overflow, which is latched in interrupt flag bit TMR1IF (PIR1<0>). This interrupt can be enabled/disabled by setting/clearing TMR1 interrupt enable bit TMR1IE (PIE1<0>).

Timer1 can operate in one of two modes:

- As a timer
- As a counter

The operating mode is determined by the clock select bit, TMR1CS (T1CON<1>).

In Timer mode, Timer1 increments every instruction cycle. In Counter mode, it increments on every rising edge of the external clock input.

Timer1 can be enabled/disabled by setting/clearing control bit TMR1ON (T1CON<0>).

Timer1 also has an internal "RESET input". This RESET can be generated by either of the two CCP modules (Section 8.0). Register 6-1 shows the Timer1 control register.

When the Timer1 oscillator is enabled (T1OSCEN is set), the RC1/T1OSI/CCP2 and RC0/T1OSO/T1CKI pins become inputs. That is, the TRISC<1:0> value is ignored, and these pins read as '0'.

Additional information on timer modules is available in the PIC® MCU Mid-Range Family Reference Manual (DS33023).

### REGISTER 6-1: T1CON: TIMER1 CONTROL REGISTER (ADDRESS 10h)

|       |     |         |         |         |                     |        |        |       |
|-------|-----|---------|---------|---------|---------------------|--------|--------|-------|
| U-0   | U-0 | R/W-0   | R/W-0   | R/W-0   | R/W-0               | R/W-0  | R/W-0  |       |
| —     | —   | T1CKPS1 | T1CKPS0 | T1OSCEN | $\overline{T1SYNC}$ | TMR1CS | TMR1ON |       |
| bit 7 |     |         |         |         |                     |        |        | bit 0 |

bit 7-6 **Unimplemented:** Read as '0'

bit 5-4 **T1CKPS1:T1CKPS0:** Timer1 Input Clock Prescale Select bits

11 = 1:8 Prescale value  
 10 = 1:4 Prescale value  
 01 = 1:2 Prescale value  
 00 = 1:1 Prescale value

bit 3 **T1OSCEN:** Timer1 Oscillator Enable Control bit

1 = Oscillator is enabled  
 0 = Oscillator is shut-off (the oscillator inverter is turned off to eliminate power drain)

bit 2 **T1SYNC:** Timer1 External Clock Input Synchronization Control bit

When TMR1CS = 1:

1 = Do not synchronize external clock input  
 0 = Synchronize external clock input

When TMR1CS = 0:

This bit is ignored. Timer1 uses the internal clock when TMR1CS = 0.

bit 1 **TMR1CS:** Timer1 Clock Source Select bit

1 = External clock from pin RC0/T1OSO/T1CKI (on the rising edge)  
 0 = Internal clock (FOSC/4)

bit 0 **TMR1ON:** Timer1 On bit

1 = Enables Timer1  
 0 = Stops Timer1

Legend:

|                    |                  |  |
|--------------------|------------------|--|
| R = Readable bit   | W = Writable bit | U = Unimplemented bit, read as '0'         |
| - n = Value at POR | '1' = Bit is set | '0' = Bit is cleared    x = Bit is unknown |

# PIC16F87X

## 6.1 Timer1 Operation in Timer Mode

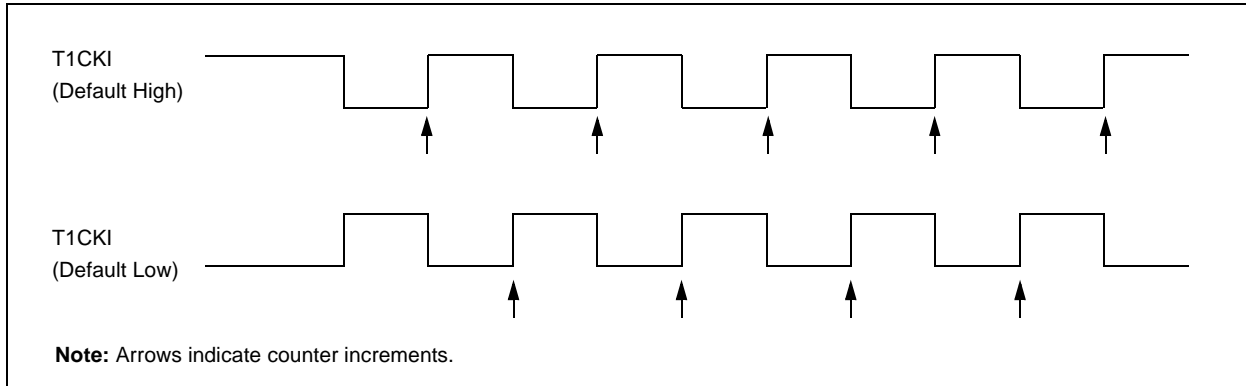
Timer mode is selected by clearing the TMR1CS (T1CON<1>) bit. In this mode, the input clock to the timer is  $F_{OSC}/4$ . The synchronize control bit  $\overline{T1SYNC}$  (T1CON<2>) has no effect, since the internal clock is always in sync.

## 6.2 Timer1 Counter Operation

Timer1 may operate in either a Synchronous, or an Asynchronous mode, depending on the setting of the TMR1CS bit.

When Timer1 is being incremented via an external source, increments occur on a rising edge. After Timer1 is enabled in Counter mode, the module must first have a falling edge before the counter begins to increment.

**FIGURE 6-1: TIMER1 INCREMENTING EDGE**



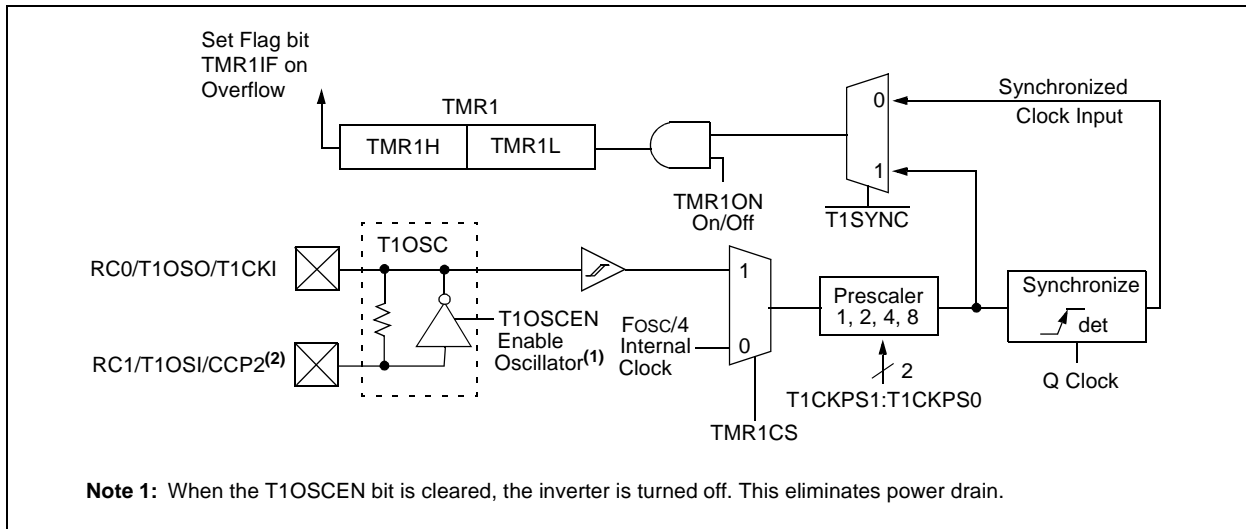
## 6.3 Timer1 Operation in Synchronized Counter Mode

Counter mode is selected by setting bit TMR1CS. In this mode, the timer increments on every rising edge of clock input on pin RC1/T1OSI/CCP2, when bit T1OSCE is set, or on pin RC0/T1OSO/T1CKI, when bit T1OSCE is cleared.

If  $\overline{T1SYNC}$  is cleared, then the external clock input is synchronized with internal phase clocks. The synchronization is done after the prescaler stage. The prescaler stage is an asynchronous ripple-counter.

In this configuration, during SLEEP mode, Timer1 will not increment even if the external clock is present, since the synchronization circuit is shut-off. The prescaler, however, will continue to increment.

**FIGURE 6-2: TIMER1 BLOCK DIAGRAM**



## 6.4 Timer1 Operation in Asynchronous Counter Mode

If control bit  $\overline{T1SYNC}$  (T1CON<2>) is set, the external clock input is not synchronized. The timer continues to increment asynchronous to the internal phase clocks. The timer will continue to run during SLEEP and can generate an interrupt-on-overflow, which will wake-up the processor. However, special precautions in software are needed to read/write the timer (Section 6.4.1).

In Asynchronous Counter mode, Timer1 cannot be used as a time-base for capture or compare operations.

### 6.4.1 READING AND WRITING TIMER1 IN ASYNCHRONOUS COUNTER MODE

Reading TMR1H or TMR1L while the timer is running from an external asynchronous clock, will guarantee a valid read (taken care of in hardware). However, the user should keep in mind that reading the 16-bit timer in two 8-bit values itself, poses certain problems, since the timer may overflow between the reads.

For writes, it is recommended that the user simply stop the timer and write the desired values. A write contention may occur by writing to the timer registers, while the register is incrementing. This may produce an unpredictable value in the timer register.

Reading the 16-bit value requires some care. Examples 12-2 and 12-3 in the PIC<sup>®</sup> MCU Mid-Range Family Reference Manual (DS33023) show how to read and write Timer1 when it is running in Asynchronous mode.

## 6.5 Timer1 Oscillator

A crystal oscillator circuit is built-in between pins T1OSI (input) and T1OSO (amplifier output). It is enabled by setting control bit T1OSCEN (T1CON<3>). The oscillator is a low power oscillator, rated up to 200 kHz. It will continue to run during SLEEP. It is primarily intended for use with a 32 kHz crystal. Table 6-1 shows the capacitor selection for the Timer1 oscillator.

The Timer1 oscillator is identical to the LP oscillator. The user must provide a software time delay to ensure proper oscillator start-up.

**TABLE 6-1: CAPACITOR SELECTION FOR THE TIMER1 OSCILLATOR**

| Osc Type   | Freq.                 | C1       | C2    |
|--|-----------------------|----------|-------|
| LP   | 32 kHz                | 33 pF    | 33 pF |
|  | 100 kHz               | 15 pF    | 15 pF |
|  | 200 kHz               | 15 pF    | 15 pF |
| <b>These values are for design guidance only.</b>  |                       |          |       |
| <b>Crystals Tested:</b>  |                       |          |       |
| 32.768 kHz   | Epson C-001R32.768K-A | ± 20 PPM |       |
| 100 kHz  | Epson C-2 100.00 KC-P | ± 20 PPM |       |
| 200 kHz  | STD XTL 200.000 kHz   | ± 20 PPM |       |
| <p><b>Note 1:</b> Higher capacitance increases the stability of oscillator, but also increases the start-up time.</p> <p><b>2:</b> Since each resonator/crystal has its own characteristics, the user should consult the resonator/crystal manufacturer for appropriate values of external components.</p> |                       |          |       |

## 6.6 Resetting Timer1 using a CCP Trigger Output

If the CCP1 or CCP2 module is configured in Compare mode to generate a “special event trigger” (CCP1M3:CCP1M0 = 1011), this signal will reset Timer1.

**Note:** The special event triggers from the CCP1 and CCP2 modules will not set interrupt flag bit TMR1IF (PIR1<0>).

Timer1 must be configured for either Timer or Synchronized Counter mode to take advantage of this feature. If Timer1 is running in Asynchronous Counter mode, this RESET operation may not work.

In the event that a write to Timer1 coincides with a special event trigger from CCP1 or CCP2, the write will take precedence.

In this mode of operation, the CCPRxH:CCPRxL register pair effectively becomes the period register for Timer1.

# PIC16F87X

## 6.7 Resetting of Timer1 Register Pair (TMR1H, TMR1L)

TMR1H and TMR1L registers are not reset to 00h on a POR, or any other RESET, except by the CCP1 and CCP2 special event triggers.

T1CON register is reset to 00h on a Power-on Reset, or a Brown-out Reset, which shuts off the timer and leaves a 1:1 prescale. In all other RESETS, the register is unaffected.

## 6.8 Timer1 Prescaler

The prescaler counter is cleared on writes to the TMR1H or TMR1L registers.

**TABLE 6-2: REGISTERS ASSOCIATED WITH TIMER1 AS A TIMER/COUNTER**

| Address              | Name   | Bit 7   | Bit 6 | Bit 5   | Bit 4   | Bit 3   | Bit 2  | Bit 1  | Bit 0  | Value on: POR, BOR | Value on all other RESETS |
|----------------------|--------|---|-------|---------|---------|---------|--------|--------|--------|--------------------|---------------------------|
| 0Bh, 8Bh, 10Bh, 18Bh | INTCON | GIE   | PEIE  | T0IE    | INTE    | RBIE    | T0IF   | INTF   | RBIF   | 0000 000x          | 0000 000u                 |
| 0Ch                  | PIR1   | PSPIF <sup>(1)</sup>  | ADIF  | RCIF    | TXIF    | SSPIF   | CCP1IF | TMR2IF | TMR1IF | 0000 0000          | 0000 0000                 |
| 8Ch                  | PIE1   | PSPIE <sup>(1)</sup>  | ADIE  | RCIE    | TXIE    | SSPIE   | CCP1IE | TMR2IE | TMR1IE | 0000 0000          | 0000 0000                 |
| 0Eh                  | TMR1L  | Holding Register for the Least Significant Byte of the 16-bit TMR1 Register |       |         |         |         |        |        |        | xxxx xxxx          | uuuu uuuu                 |
| 0Fh                  | TMR1H  | Holding Register for the Most Significant Byte of the 16-bit TMR1 Register  |       |         |         |         |        |        |        | xxxx xxxx          | uuuu uuuu                 |
| 10h                  | T1CON  | —   | —     | T1CKPS1 | T1CKPS0 | T1OSCEN | T1SYNC | TMR1CS | TMR1ON | --00 0000          | --uu uuuu                 |

Legend: x = unknown, u = unchanged, - = unimplemented, read as '0'. Shaded cells are not used by the Timer1 module.

**Note 1:** Bits PSPIE and PSPIF are reserved on the PIC16F873/876; always maintain these bits clear.

## 7.0 TIMER2 MODULE

Timer2 is an 8-bit timer with a prescaler and a postscaler. It can be used as the PWM time-base for the PWM mode of the CCP module(s). The TMR2 register is readable and writable, and is cleared on any device RESET.

The input clock ( $F_{osc}/4$ ) has a prescale option of 1:1, 1:4, or 1:16, selected by control bits T2CKPS1:T2CKPS0 (T2CON<1:0>).

The Timer2 module has an 8-bit period register, PR2. Timer2 increments from 00h until it matches PR2 and then resets to 00h on the next increment cycle. PR2 is a readable and writable register. The PR2 register is initialized to FFh upon RESET.

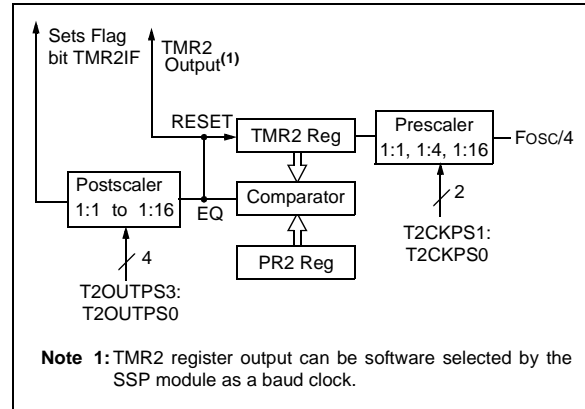
The match output of TMR2 goes through a 4-bit postscaler (which gives a 1:1 to 1:16 scaling inclusive) to generate a TMR2 interrupt (latched in flag bit TMR2IF, (PIR1<1>)).

Timer2 can be shut-off by clearing control bit TMR2ON (T2CON<2>), to minimize power consumption.

Register 7-1 shows the Timer2 control register.

Additional information on timer modules is available in the PIC<sup>®</sup> MCU Mid-Range Family Reference Manual (DS33023).

**FIGURE 7-1: TIMER2 BLOCK DIAGRAM**



### REGISTER 7-1: T2CON: TIMER2 CONTROL REGISTER (ADDRESS 12h)

|       |         |         |         |         |        |         |         |
|-------|---------|---------|---------|---------|--------|---------|---------|
| U-0   | R/W-0   | R/W-0   | R/W-0   | R/W-0   | R/W-0  | R/W-0   | R/W-0   |
| —     | TOUTPS3 | TOUTPS2 | TOUTPS1 | TOUTPS0 | TMR2ON | T2CKPS1 | T2CKPS0 |
| bit 7 |         |         |         |         |        |         | bit 0   |

- bit 7 **Unimplemented:** Read as '0'
- bit 6-3 **TOUTPS3:TOUTPS0:** Timer2 Output Postscale Select bits  
 0000 = 1:1 Postscale  
 0001 = 1:2 Postscale  
 0010 = 1:3 Postscale  
 •  
 •  
 •  
 1111 = 1:16 Postscale
- bit 2 **TMR2ON:** Timer2 On bit  
 1 = Timer2 is on  
 0 = Timer2 is off
- bit 1-0 **T2CKPS1:T2CKPS0:** Timer2 Clock Prescale Select bits  
 00 = Prescaler is 1  
 01 = Prescaler is 4  
 1x = Prescaler is 16

|                    |                  |                                    |                    |
|--------------------|------------------|------------------------------------|--------------------|
| Legend:            |                  |                                    |                    |
| R = Readable bit   | W = Writable bit | U = Unimplemented bit, read as '0' |                    |
| - n = Value at POR | '1' = Bit is set | '0' = Bit is cleared               | x = Bit is unknown |

# PIC16F87X

## 7.1 Timer2 Prescaler and Postscaler

The prescaler and postscaler counters are cleared when any of the following occurs:

- a write to the TMR2 register
- a write to the T2CON register
- any device RESET (POR, MCLR Reset, WDT Reset, or BOR)

TMR2 is not cleared when T2CON is written.

## 7.2 Output of TMR2

The output of TMR2 (before the postscaler) is fed to the SSP module, which optionally uses it to generate shift clock.

**TABLE 7-1: REGISTERS ASSOCIATED WITH TIMER2 AS A TIMER/COUNTER**

| Address           | Name   | Bit 7                    | Bit 6   | Bit 5   | Bit 4   | Bit 3   | Bit 2  | Bit 1   | Bit 0   | Value on: POR, BOR | Value on all other RESETS |
|-------------------|--------|--------------------------|---------|---------|---------|---------|--------|---------|---------|--------------------|---------------------------|
| 0Bh,8Bh,10Bh,18Bh | INTCON | GIE                      | PEIE    | TOIE    | INTE    | RBIE    | TOIF   | INTF    | RBIF    | 0000 000x          | 0000 000u                 |
| 0Ch               | PIR1   | PSPIF <sup>(1)</sup>     | ADIF    | RCIF    | TXIF    | SSPIF   | CCP1IF | TMR2IF  | TMR1IF  | 0000 0000          | 0000 0000                 |
| 8Ch               | PIE1   | PSPIE <sup>(1)</sup>     | ADIE    | RCIE    | TXIE    | SSPIE   | CCP1IE | TMR2IE  | TMR1IE  | 0000 0000          | 0000 0000                 |
| 11h               | TMR2   | Timer2 Module's Register |         |         |         |         |        |         |         | 0000 0000          | 0000 0000                 |
| 12h               | T2CON  | —                        | TOUTPS3 | TOUTPS2 | TOUTPS1 | TOUTPS0 | TMR2ON | T2CKPS1 | T2CKPS0 | -000 0000          | -000 0000                 |
| 92h               | PR2    | Timer2 Period Register   |         |         |         |         |        |         |         | 1111 1111          | 1111 1111                 |

Legend: x = unknown, u = unchanged, - = unimplemented, read as '0'. Shaded cells are not used by the Timer2 module.

**Note 1:** Bits PSPIE and PSPIF are reserved on the PIC16F873/876; always maintain these bits clear.



## 8.0 CAPTURE/COMPARE/PWM MODULES

Each Capture/Compare/PWM (CCP) module contains a 16-bit register which can operate as a:

- 16-bit Capture register
- 16-bit Compare register
- PWM Master/Slave Duty Cycle register

Both the CCP1 and CCP2 modules are identical in operation, with the exception being the operation of the special event trigger. Table 8-1 and Table 8-2 show the resources and interactions of the CCP module(s). In the following sections, the operation of a CCP module is described with respect to CCP1. CCP2 operates the same as CCP1, except where noted.

### CCP1 Module:

Capture/Compare/PWM Register1 (CCPR1) is comprised of two 8-bit registers: CCPR1L (low byte) and CCPR1H (high byte). The CCP1CON register controls the operation of CCP1. The special event trigger is generated by a compare match and will reset Timer1.

### CCP2 Module:

Capture/Compare/PWM Register2 (CCPR2) is comprised of two 8-bit registers: CCPR2L (low byte) and CCPR2H (high byte). The CCP2CON register controls the operation of CCP2. The special event trigger is generated by a compare match and will reset Timer1 and start an A/D conversion (if the A/D module is enabled).

Additional information on CCP modules is available in the PIC<sup>®</sup> MCU Mid-Range Family Reference Manual (DS33023) and in application note AN594, "Using the CCP Modules" (DS00594).

**TABLE 8-1: CCP MODE - TIMER RESOURCES REQUIRED**

| CCP Mode | Timer Resource |
|----------|----------------|
| Capture  | Timer1         |
| Compare  | Timer1         |
| PWM      | Timer2         |

**TABLE 8-2: INTERACTION OF TWO CCP MODULES**

| CCPx Mode | CCPy Mode | Interaction  |
|-----------|-----------|--|
| Capture   | Capture   | Same TMR1 time-base  |
| Capture   | Compare   | The compare should be configured for the special event trigger, which clears TMR1    |
| Compare   | Compare   | The compare(s) should be configured for the special event trigger, which clears TMR1 |
| PWM       | PWM       | The PWMs will have the same frequency and update rate (TMR2 interrupt)               |
| PWM       | Capture   | None   |
| PWM       | Compare   | None   |

# PIC16F87X

## REGISTER 8-1: CCP1CON REGISTER/CCP2CON REGISTER (ADDRESS: 17h/1Dh)

|       |     |       |       |        |        |        |        |       |
|-------|-----|-------|-------|--------|--------|--------|--------|-------|
| U-0   | U-0 | R/W-0 | R/W-0 | R/W-0  | R/W-0  | R/W-0  | R/W-0  |       |
| —     | —   | CCPxX | CCPxY | CCPxM3 | CCPxM2 | CCPxM1 | CCPxM0 |       |
| bit 7 |     |       |       |        |        |        |        | bit 0 |

bit 7-6 **Unimplemented:** Read as '0'

bit 5-4 **CCPxX:CCPxY:** PWM Least Significant bits

Capture mode:

Unused

Compare mode:

Unused

PWM mode:

These bits are the two LSbs of the PWM duty cycle. The eight MSbs are found in CCPxL.

bit 3-0 **CCPxM3:CCPxM0:** CCPx Mode Select bits

0000 = Capture/Compare/PWM disabled (resets CCPx module)

0100 = Capture mode, every falling edge

0101 = Capture mode, every rising edge

0110 = Capture mode, every 4th rising edge

0111 = Capture mode, every 16th rising edge

1000 = Compare mode, set output on match (CCPxIF bit is set)

1001 = Compare mode, clear output on match (CCPxIF bit is set)

1010 = Compare mode, generate software interrupt on match (CCPxIF bit is set, CCPx pin is unaffected)

1011 = Compare mode, trigger special event (CCPxIF bit is set, CCPx pin is unaffected); CCP1 resets TMR1; CCP2 resets TMR1 and starts an A/D conversion (if A/D module is enabled)

11xx = PWM mode

Legend:

R = Readable bit

W = Writable bit

U = Unimplemented bit, read as '0'

- n = Value at POR

'1' = Bit is set

'0' = Bit is cleared

x = Bit is unknown

## 8.1 Capture Mode

In Capture mode, CCPR1H:CCPR1L captures the 16-bit value of the TMR1 register when an event occurs on pin RC2/CCP1. An event is defined as one of the following:

- Every falling edge
- Every rising edge
- Every 4th rising edge
- Every 16th rising edge

The type of event is configured by control bits CCP1M3:CCP1M0 (CCPxCON<3:0>). When a capture is made, the interrupt request flag bit CCP1IF (PIR1<2>) is set. The interrupt flag must be cleared in software. If another capture occurs before the value in register CCPR1 is read, the old captured value is overwritten by the new value.

### 8.1.1 CCP PIN CONFIGURATION

In Capture mode, the RC2/CCP1 pin should be configured as an input by setting the TRISC<2> bit.

**Note:** If the RC2/CCP1 pin is configured as an output, a write to the port can cause a capture condition.

### 8.1.2 TIMER1 MODE SELECTION

Timer1 must be running in Timer mode, or Synchronized Counter mode, for the CCP module to use the capture feature. In Asynchronous Counter mode, the capture operation may not work.

### 8.1.3 SOFTWARE INTERRUPT

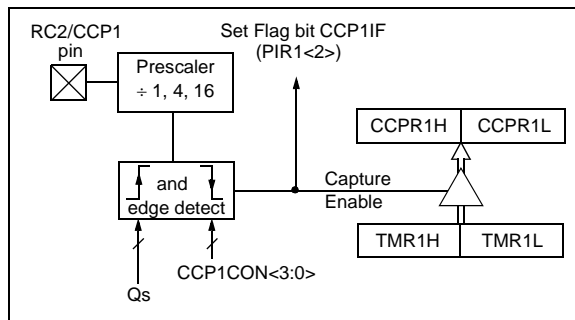
When the Capture mode is changed, a false capture interrupt may be generated. The user should keep bit CCP1IE (PIE1<2>) clear to avoid false interrupts and should clear the flag bit CCP1IF, following any such change in operating mode.

### 8.1.4 CCP PRESCALER

There are four prescaler settings, specified by bits CCP1M3:CCP1M0. Whenever the CCP module is turned off, or the CCP module is not in Capture mode, the prescaler counter is cleared. Any RESET will clear the prescaler counter.

Switching from one capture prescaler to another may generate an interrupt. Also, the prescaler counter will not be cleared, therefore, the first capture may be from a non-zero prescaler. Example 8-1 shows the recommended method for switching between capture prescalers. This example also clears the prescaler counter and will not generate the “false” interrupt.

**FIGURE 8-1: CAPTURE MODE OPERATION BLOCK DIAGRAM**



**EXAMPLE 8-1: CHANGING BETWEEN CAPTURE PRESCALERS**

```
CLRF   CCP1CON      ; Turn CCP module off
MOVLW  NEW_CAPT_PS ; Load the W reg with
                        ; the new prescaler
MOVWF  CCP1CON      ; move value and CCP ON
MOVWF  CCP1CON      ; Load CCP1CON with this
                        ; value
```

# PIC16F87X

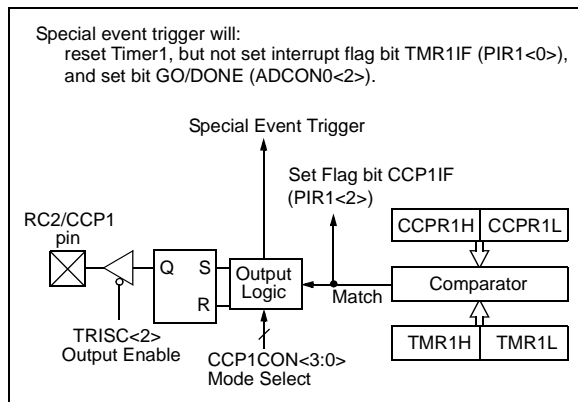
## 8.2 Compare Mode

In Compare mode, the 16-bit CCPR1 register value is constantly compared against the TMR1 register pair value. When a match occurs, the RC2/CCP1 pin is:

- Driven high
- Driven low
- Remains unchanged

The action on the pin is based on the value of control bits CCP1M3:CCP1M0 (CCP1CON<3:0>). At the same time, interrupt flag bit CCP1IF is set.

**FIGURE 8-2: COMPARE MODE OPERATION BLOCK DIAGRAM**



### 8.2.1 CCP PIN CONFIGURATION

The user must configure the RC2/CCP1 pin as an output by clearing the TRISC<2> bit.

**Note:** Clearing the CCP1CON register will force the RC2/CCP1 compare output latch to the default low level. This is not the PORTC I/O data latch.

### 8.2.2 TIMER1 MODE SELECTION

Timer1 must be running in Timer mode, or Synchronized Counter mode, if the CCP module is using the compare feature. In Asynchronous Counter mode, the compare operation may not work.

### 8.2.3 SOFTWARE INTERRUPT MODE

When Generate Software Interrupt mode is chosen, the CCP1 pin is not affected. The CCPIF bit is set, causing a CCP interrupt (if enabled).

### 8.2.4 SPECIAL EVENT TRIGGER

In this mode, an internal hardware trigger is generated, which may be used to initiate an action.

The special event trigger output of CCP1 resets the TMR1 register pair. This allows the CCPR1 register to effectively be a 16-bit programmable period register for Timer1.

The special event trigger output of CCP2 resets the TMR1 register pair and starts an A/D conversion (if the A/D module is enabled).

**Note:** The special event trigger from the CCP1 and CCP2 modules will not set interrupt flag bit TMR1IF (PIR1<0>).

## 8.3 PWM Mode (PWM)

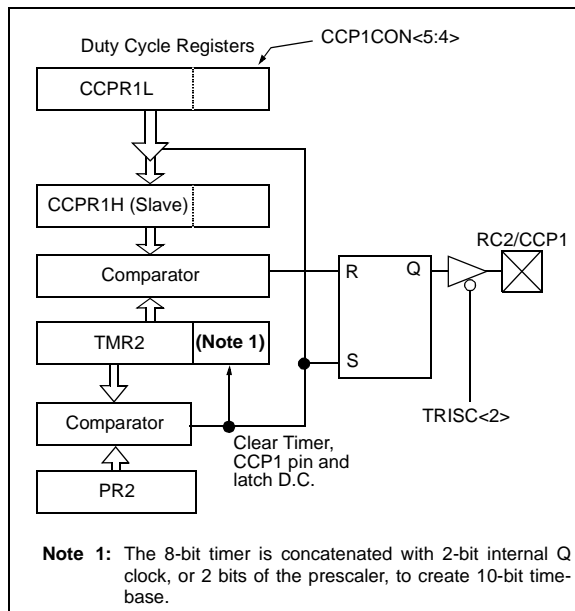
In Pulse Width Modulation mode, the CCPx pin produces up to a 10-bit resolution PWM output. Since the CCP1 pin is multiplexed with the PORTC data latch, the TRISC<2> bit must be cleared to make the CCP1 pin an output.

**Note:** Clearing the CCP1CON register will force the CCP1 PWM output latch to the default low level. This is not the PORTC I/O data latch.

Figure 8-3 shows a simplified block diagram of the CCP module in PWM mode.

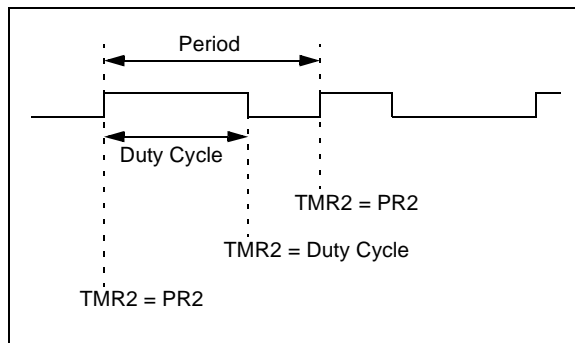
For a step-by-step procedure on how to set up the CCP module for PWM operation, see Section 8.3.3.

**FIGURE 8-3: SIMPLIFIED PWM BLOCK DIAGRAM**



A PWM output (Figure 8-4) has a time-base (period) and a time that the output stays high (duty cycle). The frequency of the PWM is the inverse of the period (1/period).

**FIGURE 8-4: PWM OUTPUT**



### 8.3.1 PWM PERIOD

The PWM period is specified by writing to the PR2 register. The PWM period can be calculated using the following formula:

$$\text{PWM period} = [(PR2) + 1] \cdot 4 \cdot T_{osc} \cdot (\text{TMR2 prescale value})$$

PWM frequency is defined as  $1 / [\text{PWM period}]$ .

When TMR2 is equal to PR2, the following three events occur on the next increment cycle:

- TMR2 is cleared
- The CCP1 pin is set (exception: if PWM duty cycle = 0%, the CCP1 pin will not be set)
- The PWM duty cycle is latched from CCPR1L into CCPR1H

**Note:** The Timer2 postscaler (see Section 7.1) is not used in the determination of the PWM frequency. The postscaler could be used to have a servo update rate at a different frequency than the PWM output.

### 8.3.2 PWM DUTY CYCLE

The PWM duty cycle is specified by writing to the CCPR1L register and to the CCP1CON<5:4> bits. Up to 10-bit resolution is available. The CCPR1L contains the eight MSBs and the CCP1CON<5:4> contains the two LSBs. This 10-bit value is represented by CCPR1L:CCP1CON<5:4>. The following equation is used to calculate the PWM duty cycle in time:

$$\text{PWM duty cycle} = (\text{CCPR1L:CCP1CON<5:4>}) \cdot T_{osc} \cdot (\text{TMR2 prescale value})$$

CCPR1L and CCP1CON<5:4> can be written to at any time, but the duty cycle value is not latched into CCPR1H until after a match between PR2 and TMR2 occurs (i.e., the period is complete). In PWM mode, CCPR1H is a read-only register.

The CCPR1H register and a 2-bit internal latch are used to double buffer the PWM duty cycle. This double buffering is essential for glitch-free PWM operation.

When the CCPR1H and 2-bit latch match TMR2, concatenated with an internal 2-bit Q clock, or 2 bits of the TMR2 prescaler, the CCP1 pin is cleared.

The maximum PWM resolution (bits) for a given PWM frequency is given by the formula:

$$\text{Resolution} = \frac{\log\left(\frac{F_{osc}}{F_{PWM}}\right)}{\log(2)} \text{ bits}$$

**Note:** If the PWM duty cycle value is longer than the PWM period, the CCP1 pin will not be cleared.

# PIC16F87X

## 8.3.3 SETUP FOR PWM OPERATION

The following steps should be taken when configuring the CCP module for PWM operation:

1. Set the PWM period by writing to the PR2 register.
2. Set the PWM duty cycle by writing to the CCPR1L register and CCP1CON<5:4> bits.
3. Make the CCP1 pin an output by clearing the TRISC<2> bit.
4. Set the TMR2 prescale value and enable Timer2 by writing to T2CON.
5. Configure the CCP1 module for PWM operation.

**TABLE 8-3: EXAMPLE PWM FREQUENCIES AND RESOLUTIONS AT 20 MHz**

| PWM Frequency              | 1.22 kHz | 4.88 kHz | 19.53 kHz | 78.12kHz | 156.3 kHz | 208.3 kHz |
|----------------------------|----------|----------|-----------|----------|-----------|-----------|
| Timer Prescaler (1, 4, 16) | 16       | 4        | 1         | 1        | 1         | 1         |
| PR2 Value                  | 0xFFh    | 0xFFh    | 0xFFh     | 0x3Fh    | 0x1Fh     | 0x17h     |
| Maximum Resolution (bits)  | 10       | 10       | 10        | 8        | 7         | 5.5       |

**TABLE 8-4: REGISTERS ASSOCIATED WITH CAPTURE, COMPARE, AND TIMER1**

| Address              | Name    | Bit 7   | Bit 6 | Bit 5   | Bit 4   | Bit 3   | Bit 2  | Bit 1  | Bit 0  | Value on: POR, BOR | Value on all other RESETS |
|----------------------|---------|---|-------|---------|---------|---------|--------|--------|--------|--------------------|---------------------------|
| 0Bh, 8Bh, 10Bh, 18Bh | INTCON  | GIE   | PEIE  | T0IE    | INTE    | RBIE    | TOIF   | INTF   | RBIF   | 0000 000x          | 0000 000u                 |
| 0Ch                  | PIR1    | PSPIF <sup>(1)</sup>  | ADIF  | RCIF    | TXIF    | SSPIF   | CCP1IF | TMR2IF | TMR1IF | 0000 0000          | 0000 0000                 |
| 0Dh                  | PIR2    | —   | —     | —       | —       | —       | —      | —      | CCP2IF | ---- --0           | ---- --0                  |
| 8Ch                  | PIE1    | PSPIE <sup>(1)</sup>  | ADIE  | RCIE    | TXIE    | SSPIE   | CCP1IE | TMR2IE | TMR1IE | 0000 0000          | 0000 0000                 |
| 8Dh                  | PIE2    | —   | —     | —       | —       | —       | —      | —      | CCP2IE | ---- --0           | ---- --0                  |
| 87h                  | TRISC   | PORTC Data Direction Register   |       |         |         |         |        |        |        | 1111 1111          | 1111 1111                 |
| 0Eh                  | TMR1L   | Holding Register for the Least Significant Byte of the 16-bit TMR1 Register |       |         |         |         |        |        |        | xxxx xxxx          | uuuu uuuu                 |
| 0Fh                  | TMR1H   | Holding Register for the Most Significant Byte of the 16-bit TMR1 Register  |       |         |         |         |        |        |        | xxxx xxxx          | uuuu uuuu                 |
| 10h                  | T1CON   | —   | —     | T1CKPS1 | T1CKPS0 | T1OSCEN | T1SYNC | TMR1CS | TMR1ON | --00 0000          | --uu uuuu                 |
| 15h                  | CCPR1L  | Capture/Compare/PWM Register1 (LSB)   |       |         |         |         |        |        |        | xxxx xxxx          | uuuu uuuu                 |
| 16h                  | CCPR1H  | Capture/Compare/PWM Register1 (MSB)   |       |         |         |         |        |        |        | xxxx xxxx          | uuuu uuuu                 |
| 17h                  | CCP1CON | —   | —     | CCP1X   | CCP1Y   | CCP1M3  | CCP1M2 | CCP1M1 | CCP1M0 | --00 0000          | --00 0000                 |
| 1Bh                  | CCPR2L  | Capture/Compare/PWM Register2 (LSB)   |       |         |         |         |        |        |        | xxxx xxxx          | uuuu uuuu                 |
| 1Ch                  | CCPR2H  | Capture/Compare/PWM Register2 (MSB)   |       |         |         |         |        |        |        | xxxx xxxx          | uuuu uuuu                 |
| 1Dh                  | CCP2CON | —   | —     | CCP2X   | CCP2Y   | CCP2M3  | CCP2M2 | CCP2M1 | CCP2M0 | --00 0000          | --00 0000                 |

Legend: x = unknown, u = unchanged, - = unimplemented, read as '0'. Shaded cells are not used by Capture and Timer1.

**Note 1:** The PSP is not implemented on the PIC16F873/876; always maintain these bits clear.

**TABLE 8-5: REGISTERS ASSOCIATED WITH PWM AND TIMER2**

| Address                | Name    | Bit 7                               | Bit 6   | Bit 5   | Bit 4   | Bit 3   | Bit 2  | Bit 1   | Bit 0   | Value on:<br>POR,<br>BOR | Value on<br>all other<br>RESETS |
|------------------------|---------|-------------------------------------|---------|---------|---------|---------|--------|---------|---------|--------------------------|---------------------------------|
| 0Bh,8Bh,<br>10Bh, 18Bh | INTCON  | GIE                                 | PEIE    | T0IE    | INTE    | RBIE    | T0IF   | INTF    | RBFIF   | 0000 000x                | 0000 000u                       |
| 0Ch                    | PIR1    | PSPIF <sup>(1)</sup>                | ADIF    | RCIF    | TXIF    | SSPIF   | CCP1IF | TMR2IF  | TMR1IF  | 0000 0000                | 0000 0000                       |
| 0Dh                    | PIR2    | —                                   | —       | —       | —       | —       | —      | —       | CCP2IF  | ---- ---0                | ---- ---0                       |
| 8Ch                    | PIE1    | PSPIE <sup>(1)</sup>                | ADIE    | RCIE    | TXIE    | SSPIE   | CCP1IE | TMR2IE  | TMR1IE  | 0000 0000                | 0000 0000                       |
| 8Dh                    | PIE2    | —                                   | —       | —       | —       | —       | —      | —       | CCP2IE  | ---- ---0                | ---- ---0                       |
| 87h                    | TRISC   | PORTC Data Direction Register       |         |         |         |         |        |         |         | 1111 1111                | 1111 1111                       |
| 11h                    | TMR2    | Timer2 Module's Register            |         |         |         |         |        |         |         | 0000 0000                | 0000 0000                       |
| 92h                    | PR2     | Timer2 Module's Period Register     |         |         |         |         |        |         |         | 1111 1111                | 1111 1111                       |
| 12h                    | T2CON   | —                                   | TOUTPS3 | TOUTPS2 | TOUTPS1 | TOUTPS0 | TMR2ON | T2CKPS1 | T2CKPS0 | -000 0000                | -000 0000                       |
| 15h                    | CCPR1L  | Capture/Compare/PWM Register1 (LSB) |         |         |         |         |        |         |         | xxxx xxxx                | uuuu uuuu                       |
| 16h                    | CCPR1H  | Capture/Compare/PWM Register1 (MSB) |         |         |         |         |        |         |         | xxxx xxxx                | uuuu uuuu                       |
| 17h                    | CCP1CON | —                                   | —       | CCP1X   | CCP1Y   | CCP1M3  | CCP1M2 | CCP1M1  | CCP1M0  | --00 0000                | --00 0000                       |
| 1Bh                    | CCPR2L  | Capture/Compare/PWM Register2 (LSB) |         |         |         |         |        |         |         | xxxx xxxx                | uuuu uuuu                       |
| 1Ch                    | CCPR2H  | Capture/Compare/PWM Register2 (MSB) |         |         |         |         |        |         |         | xxxx xxxx                | uuuu uuuu                       |
| 1Dh                    | CCP2CON | —                                   | —       | CCP2X   | CCP2Y   | CCP2M3  | CCP2M2 | CCP2M1  | CCP2M0  | --00 0000                | --00 0000                       |

Legend: x = unknown, u = unchanged, - = unimplemented, read as '0'. Shaded cells are not used by PWM and Timer2.

**Note 1:** Bits PSPIE and PSPIF are reserved on the PIC16F873/876; always maintain these bits clear.

# PIC16F87X

---

NOTES:



## 9.0 MASTER SYNCHRONOUS SERIAL PORT (MSSP) MODULE

The Master Synchronous Serial Port (MSSP) module is a serial interface, useful for communicating with other peripheral or microcontroller devices. These peripheral devices may be serial EEPROMs, shift registers, display drivers, A/D converters, etc. The MSSP module can operate in one of two modes:

- Serial Peripheral Interface (SPI)
- Inter-Integrated Circuit (I<sup>2</sup>C)

Figure 9-1 shows a block diagram for the SPI mode, while Figure 9-5 and Figure 9-9 show the block diagrams for the two different I<sup>2</sup>C modes of operation.

The Application Note AN734, "Using the PIC<sup>®</sup> MCU SSP for Slave I<sup>2</sup>C<sup>™</sup> Communication" describes the slave operation of the MSSP module on the PIC16F87X devices. AN735, "Using the PIC<sup>®</sup> MCU MSSP Module for I<sup>2</sup>C<sup>™</sup> Communications" describes the master operation of the MSSP module on the PIC16F87X devices.

# PIC16F87X

## REGISTER 9-1: SSPSTAT: SYNC SERIAL PORT STATUS REGISTER (ADDRESS: 94h)

|       |       |     |     |     |     |     |     |
|-------|-------|-----|-----|-----|-----|-----|-----|
| R/W-0 | R/W-0 | R-0 | R-0 | R-0 | R-0 | R-0 | R-0 |
| SMP   | CKE   | D/A | P   | S   | R/W | UA  | BF  |

bit 7

bit 0

- bit 7 **SMP:** Sample bit  
SPI Master mode:  
 1 = Input data sampled at end of data output time  
 0 = Input data sampled at middle of data output time  
SPI Slave mode:  
 SMP must be cleared when SPI is used in slave mode  
In I<sup>2</sup>C Master or Slave mode:  
 1 = Slew rate control disabled for standard speed mode (100 kHz and 1 MHz)  
 0 = Slew rate control enabled for high speed mode (400 kHz)
- bit 6 **CKE:** SPI Clock Edge Select (Figure 9-2, Figure 9-3 and Figure 9-4)  
SPI mode:  
 For CKP = 0  
 1 = Data transmitted on rising edge of SCK  
 0 = Data transmitted on falling edge of SCK  
 For CKP = 1  
 1 = Data transmitted on falling edge of SCK  
 0 = Data transmitted on rising edge of SCK  
In I<sup>2</sup>C Master or Slave mode:  
 1 = Input levels conform to SMBus spec  
 0 = Input levels conform to I<sup>2</sup>C specs
- bit 5 **D/A:** Data/Address bit (I<sup>2</sup>C mode only)  
 1 = Indicates that the last byte received or transmitted was data  
 0 = Indicates that the last byte received or transmitted was address
- bit 4 **P:** STOP bit  
 (I<sup>2</sup>C mode only. This bit is cleared when the MSSP module is disabled, SSPEN is cleared.)  
 1 = Indicates that a STOP bit has been detected last (this bit is '0' on RESET)  
 0 = STOP bit was not detected last
- bit 3 **S:** START bit  
 (I<sup>2</sup>C mode only. This bit is cleared when the MSSP module is disabled, SSPEN is cleared.)  
 1 = Indicates that a START bit has been detected last (this bit is '0' on RESET)  
 0 = START bit was not detected last
- bit 2 **R/W:** Read/Write bit Information (I<sup>2</sup>C mode only)  
 This bit holds the R/W bit information following the last address match. This bit is only valid from the address match to the next START bit, STOP bit or not ACK bit.  
In I<sup>2</sup>C Slave mode:  
 1 = Read  
 0 = Write  
In I<sup>2</sup>C Master mode:  
 1 = Transmit is in progress  
 0 = Transmit is not in progress  
 Logical OR of this bit with SEN, RSEN, PEN, RCEN, or ACKEN will indicate if the MSSP is in IDLE mode.
- bit 1 **UA:** Update Address (10-bit I<sup>2</sup>C mode only)  
 1 = Indicates that the user needs to update the address in the SSPADD register  
 0 = Address does not need to be updated
- bit **BF:** Buffer Full Status bit  
Receive (SPI and I<sup>2</sup>C modes):  
 1 = Receive complete, SSPBUF is full  
 0 = Receive not complete, SSPBUF is empty  
Transmit (I<sup>2</sup>C mode only):  
 1 = Data transmit in progress (does not include the ACK and STOP bits), SSPBUF is full  
 0 = Data transmit complete (does not include the ACK and STOP bits), SSPBUF is empty

|                    |                  |                                    |                    |
|--------------------|------------------|------------------------------------|--------------------|
| Legend:            |                  |                                    |                    |
| R = Readable bit   | W = Writable bit | U = Unimplemented bit, read as '0' |                    |
| - n = Value at POR | '1' = Bit is set | '0' = Bit is cleared               | x = Bit is unknown |

## REGISTER 9-2: SSPCON: SYNC SERIAL PORT CONTROL REGISTER (ADDRESS 14h)

| R/W-0 | R/W-0 | R/W-0 | R/W-0 | R/W-0 | R/W-0 | R/W-0 | R/W-0 |
|-------|-------|-------|-------|-------|-------|-------|-------|
| WCOL  | SSPOV | SSPEN | CKP   | SSPM3 | SSPM2 | SSPM1 | SSPM0 |

bit 7

bit 0

- bit 7 **WCOL:** Write Collision Detect bit  
Master mode:  
 1 = A write to SSPBUF was attempted while the I2C conditions were not valid  
 0 = No collision  
Slave mode:  
 1 = SSPBUF register is written while still transmitting the previous word (must be cleared in software)  
 0 = No collision
- bit 6 **SSPOV:** Receive Overflow Indicator bit  
In SPI mode:  
 1 = A new byte is received while SSPBUF holds previous data. Data in SSPSR is lost on overflow. In Slave mode, the user must read the SSPBUF, even if only transmitting data, to avoid overflows. In Master mode, the overflow bit is not set, since each operation is initiated by writing to the SSPBUF register. (Must be cleared in software.)  
 0 = No overflow  
In I<sup>2</sup>C mode:  
 1 = A byte is received while the SSPBUF is holding the previous byte. SSPOV is a "don't care" in Transmit mode. (Must be cleared in software.)  
 0 = No overflow
- bit 5 **SSPEN:** Synchronous Serial Port Enable bit  
In SPI mode,  
 When enabled, these pins must be properly configured as input or output  
 1 = Enables serial port and configures SCK, SDO, SDI, and SS as the source of the serial port pins  
 0 = Disables serial port and configures these pins as I/O port pins  
In I<sup>2</sup>C mode,  
 When enabled, these pins must be properly configured as input or output  
 1 = Enables the serial port and configures the SDA and SCL pins as the source of the serial port pins  
 0 = Disables serial port and configures these pins as I/O port pins
- bit 4 **CKP:** Clock Polarity Select bit  
In SPI mode:  
 1 = Idle state for clock is a high level  
 0 = Idle state for clock is a low level  
In I<sup>2</sup>C Slave mode:  
 SCK release control  
 1 = Enable clock  
 0 = Holds clock low (clock stretch). (Used to ensure data setup time.)  
In I<sup>2</sup>C Master mode:  
 Unused in this mode
- bit 3-0 **SSPM3:SSPM0:** Synchronous Serial Port Mode Select bits  
 0000 = SPI Master mode, clock = FOSC/4  
 0001 = SPI Master mode, clock = FOSC/16  
 0010 = SPI Master mode, clock = FOSC/64  
 0011 = SPI Master mode, clock = TMR2 output/2  
 0100 = SPI Slave mode, clock = SCK pin.  $\overline{SS}$  pin control enabled.  
 0101 = SPI Slave mode, clock = SCK pin.  $\overline{SS}$  pin control disabled.  $\overline{SS}$  can be used as I/O pin.  
 0110 = I<sup>2</sup>C Slave mode, 7-bit address  
 0111 = I<sup>2</sup>C Slave mode, 10-bit address  
 1000 = I<sup>2</sup>C Master mode, clock = FOSC / (4 \* (SSPADD+1))  
 1011 = I<sup>2</sup>C Firmware Controlled Master mode (slave idle)  
 1110 = I<sup>2</sup>C Firmware Controlled Master mode, 7-bit address with START and STOP bit interrupts enabled  
 1111 = I<sup>2</sup>C Firmware Controlled Master mode, 10-bit address with START and STOP bit interrupts enabled  
 1001, 1010, 1100, 1101 = Reserved

**Legend:**

|                    |                  |  |
|--------------------|------------------|--|
| R = Readable bit   | W = Writable bit | U = Unimplemented bit, read as '0'           |
| - n = Value at POR | '1' = Bit is set | '0' = Bit is cleared      x = Bit is unknown |

# PIC16F87X

## REGISTER 9-3: SSPCON2: SYNC SERIAL PORT CONTROL REGISTER2 (ADDRESS 91h)

| R/W-0 | R/W-0   | R/W-0 | R/W-0 | R/W-0 | R/W-0 | R/W-0 | R/W-0 |
|-------|---------|-------|-------|-------|-------|-------|-------|
| GCEN  | ACKSTAT | ACKDT | ACKEN | RCEN  | PEN   | RSEN  | SEN   |

bit 7

bit 0

- bit 7 **GCEN:** General Call Enable bit (In I<sup>2</sup>C Slave mode only)  
 1 = Enable interrupt when a general call address (0000h) is received in the SSPSR  
 0 = General call address disabled
- bit 6 **ACKSTAT:** Acknowledge Status bit (In I<sup>2</sup>C Master mode only)  
In Master Transmit mode:  
 1 = Acknowledge was not received from slave  
 0 = Acknowledge was received from slave
- bit 5 **ACKDT:** Acknowledge Data bit (In I<sup>2</sup>C Master mode only)  
In Master Receive mode:  
 Value that will be transmitted when the user initiates an Acknowledge sequence at the end of a receive.  
 1 = Not Acknowledge  
 0 = Acknowledge
- bit 4 **ACKEN:** Acknowledge Sequence Enable bit (In I<sup>2</sup>C Master mode only)  
In Master Receive mode:  
 1 = Initiate Acknowledge sequence on SDA and SCL pins and transmit ACKDT data bit.  
 Automatically cleared by hardware.  
 0 = Acknowledge sequence idle
- bit 3 **RCEN:** Receive Enable bit (In I<sup>2</sup>C Master mode only)  
 1 = Enables Receive mode for I<sup>2</sup>C  
 0 = Receive idle
- bit 2 **PEN:** STOP Condition Enable bit (In I<sup>2</sup>C Master mode only)  
SCK Release Control:  
 1 = Initiate STOP condition on SDA and SCL pins. Automatically cleared by hardware.  
 0 = STOP condition idle
- bit 1 **RSEN:** Repeated START Condition Enable bit (In I<sup>2</sup>C Master mode only)  
 1 = Initiate Repeated START condition on SDA and SCL pins. Automatically cleared by hardware.  
 0 = Repeated START condition idle
- bit 0 **SEN:** START Condition Enable bit (In I<sup>2</sup>C Master mode only)  
 1 = Initiate START condition on SDA and SCL pins. Automatically cleared by hardware.  
 0 = START condition idle

**Note:** For bits ACKEN, RCEN, PEN, RSEN, SEN: If the I<sup>2</sup>C module is not in the IDLE mode, this bit may not be set (no spooling), and the SSPBUF may not be written (or writes to the SSPBUF are disabled).

|                    |                  |                                    |                    |
|--------------------|------------------|------------------------------------|--------------------|
| Legend:            |                  |                                    |                    |
| R = Readable bit   | W = Writable bit | U = Unimplemented bit, read as '0' |                    |
| - n = Value at POR | '1' = Bit is set | '0' = Bit is cleared               | x = Bit is unknown |

## 9.1 SPI Mode

The SPI mode allows 8 bits of data to be synchronously transmitted and received simultaneously. All four modes of SPI are supported. To accomplish communication, typically three pins are used:

- Serial Data Out (SDO)
- Serial Data In (SDI)
- Serial Clock (SCK)

Additionally, a fourth pin may be used when in a Slave mode of operation:

- Slave Select ( $\overline{SS}$ )

When initializing the SPI, several options need to be specified. This is done by programming the appropriate control bits (SSPCON<5:0> and SSPSTAT<7:6>). These control bits allow the following to be specified:

- Master mode (SCK is the clock output)
- Slave mode (SCK is the clock input)
- Clock Polarity (Idle state of SCK)
- Data input sample phase (middle or end of data output time)
- Clock edge (output data on rising/falling edge of SCK)
- Clock Rate (Master mode only)
- Slave Select mode (Slave mode only)

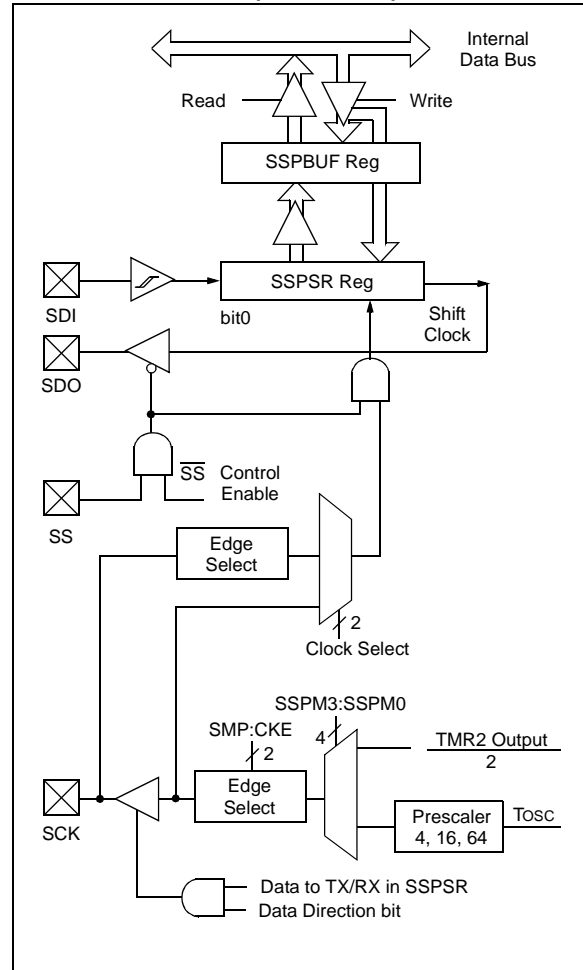
Figure 9-4 shows the block diagram of the MSSP module when in SPI mode.

To enable the serial port, MSSP Enable bit, SSPEN (SSPCON<5>) must be set. To reset or reconfigure SPI mode, clear bit SSPEN, re-initialize the SSPCON registers, and then set bit SSPEN. This configures the SDI, SDO, SCK and  $\overline{SS}$  pins as serial port pins. For the pins to behave as the serial port function, some must have their data direction bits (in the TRIS register) appropriately programmed. That is:

- SDI is automatically controlled by the SPI module
- SDO must have TRISC<5> cleared
- SCK (Master mode) must have TRISC<3> cleared
- SCK (Slave mode) must have TRISC<3> set
- $\overline{SS}$  must have TRISA<5> set and register ADCON1 (see Section 11.0: A/D Module) must be set in a way that pin RA5 is configured as a digital I/O

Any serial port function that is not desired may be overridden by programming the corresponding data direction (TRIS) register to the opposite value.

**FIGURE 9-1: MSSP BLOCK DIAGRAM (SPI MODE)**



# PIC16F87X

## 9.1.1 MASTER MODE

The master can initiate the data transfer at any time because it controls the SCK. The master determines when the slave (Processor 2, Figure 9-5) is to broadcast data by the software protocol.

In Master mode, the data is transmitted/received as soon as the SSPBUF register is written to. If the SPI module is only going to receive, the SDO output could be disabled (programmed as an input). The SSPSR register will continue to shift in the signal present on the SDI pin at the programmed clock rate. As each byte is received, it will be loaded into the SSPBUF register as if a normal received byte (interrupts and status bits appropriately set). This could be useful in receiver applications as a "line activity monitor".

The clock polarity is selected by appropriately programming bit CKP (SSPCON<4>). This then, would give waveforms for SPI communication as shown in

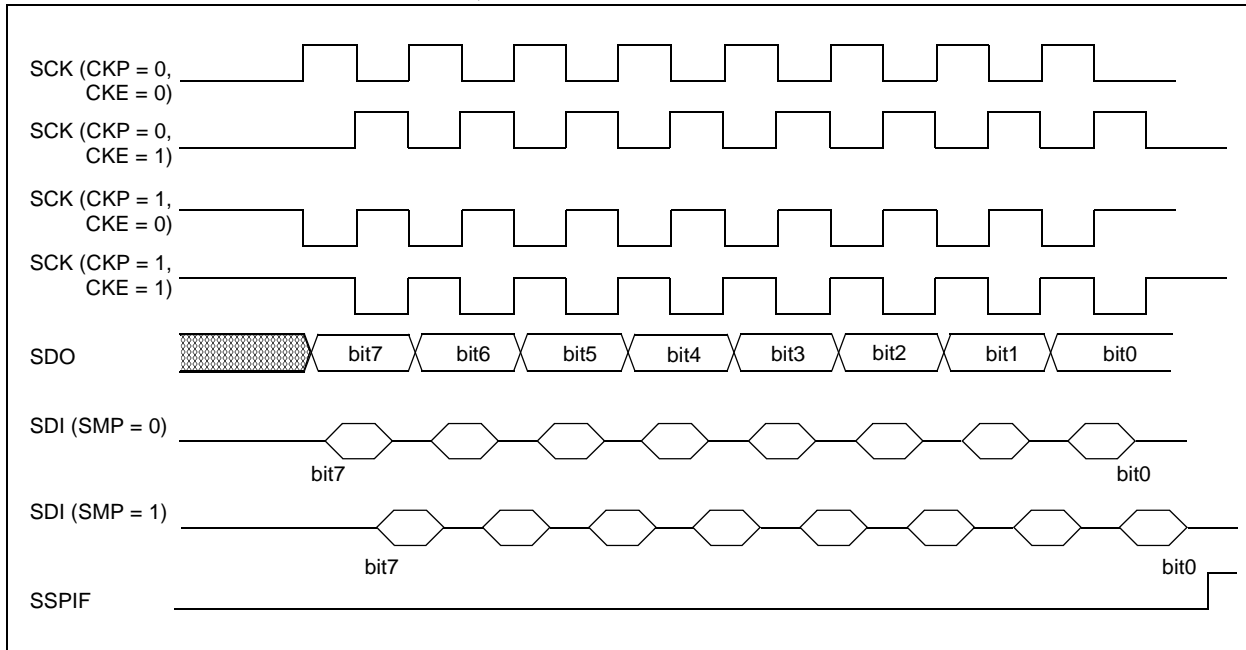
Figure 9-6, Figure 9-8 and Figure 9-9, where the MSb is transmitted first. In Master mode, the SPI clock rate (bit rate) is user programmable to be one of the following:

- $F_{OSC}/4$  (or  $T_{CY}$ )
- $F_{OSC}/16$  (or  $4 \cdot T_{CY}$ )
- $F_{OSC}/64$  (or  $16 \cdot T_{CY}$ )
- $\text{Timer2 output}/2$

This allows a maximum bit clock frequency (at 20 MHz) of 5.0 MHz.

Figure 9-6 shows the waveforms for Master mode. When  $\text{CKE} = 1$ , the SDO data is valid before there is a clock edge on SCK. The change of the input sample is shown based on the state of the SMP bit. The time when the SSPBUF is loaded with the received data is shown.

**FIGURE 9-2: SPI MODE TIMING, MASTER MODE**



## 9.1.2 SLAVE MODE

In Slave mode, the data is transmitted and received as the external clock pulses appear on SCK. When the last bit is latched, the interrupt flag bit SSPIF (PIR1<3>) is set.

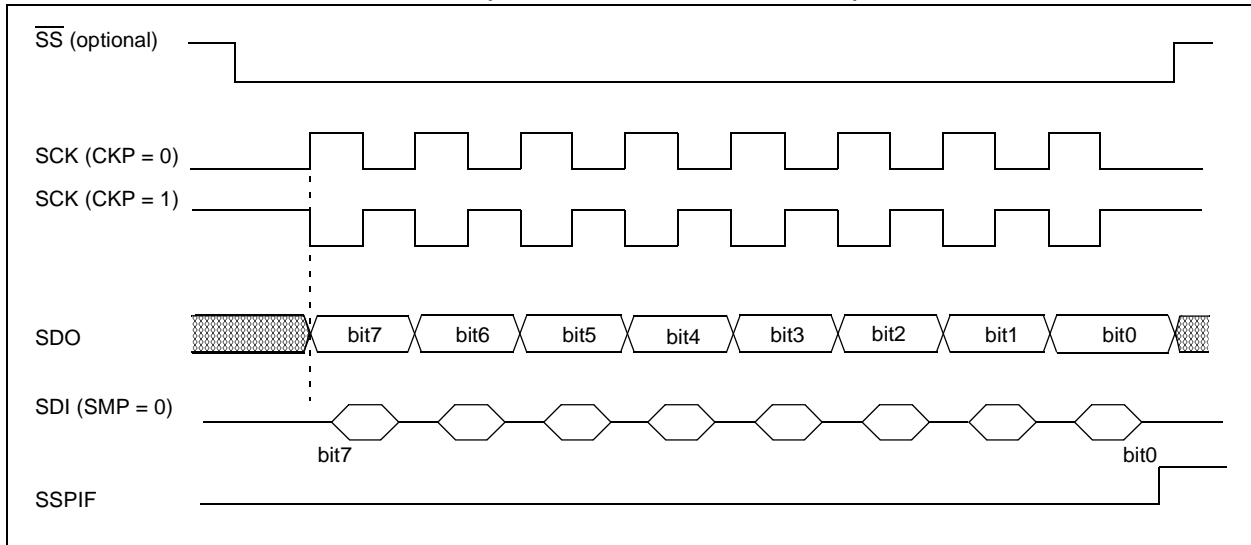
While in Slave mode, the external clock is supplied by the external clock source on the SCK pin. This external clock must meet the minimum high and low times as specified in the electrical specifications.

While in SLEEP mode, the slave can transmit/receive data. When a byte is received, the device will wake-up from SLEEP.

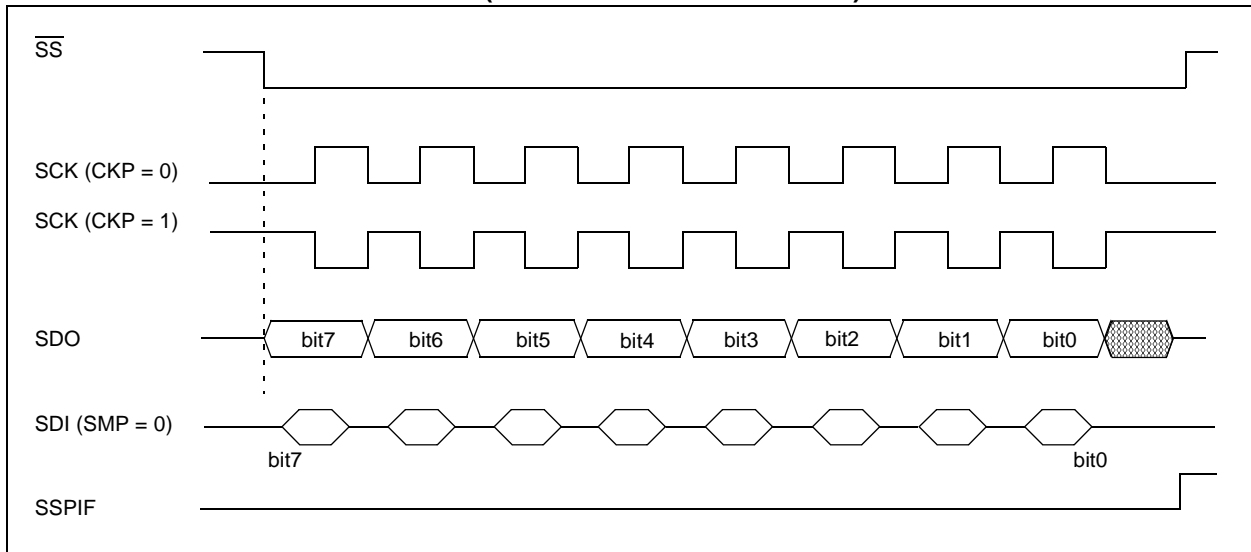
**Note 1:** When the SPI module is in Slave mode with  $\overline{SS}$  pin control enabled (SSPCON<3:0> = 0100), the SPI module will reset if the  $\overline{SS}$  pin is set to VDD.

**Note 2:** If the SPI is used in Slave mode with CKE = '1', then  $\overline{SS}$  pin control must be enabled.

**FIGURE 9-3: SPI MODE TIMING (SLAVE MODE WITH CKE = 0)**



**FIGURE 9-4: SPI MODE TIMING (SLAVE MODE WITH CKE = 1)**



# PIC16F87X

**TABLE 9-1: REGISTERS ASSOCIATED WITH SPI OPERATION**

| Address                 | Name    | Bit 7  | Bit 6 | Bit 5        | Bit 4 | Bit 3 | Bit 2        | Bit 1  | Bit 0  | Value on:<br>POR, BOR | Value on:<br>MCLR, WDT |
|-------------------------|---------|--|-------|--------------|-------|-------|--------------|--------|--------|-----------------------|------------------------|
| 0Bh, 8Bh,<br>10Bh, 18Bh | INTCON  | GIE  | PEIE  | T0IE         | INTE  | RBIE  | T0IF         | INTF   | RBIF   | 0000 000x             | 0000 000u              |
| 0Ch                     | PIR1    | PSPIF <sup>(1)</sup>                                     | ADIF  | RCIF         | TXIF  | SSPIF | CCP1IF       | TMR2IF | TMR1IF | 0000 0000             | 0000 0000              |
| 8Ch                     | PIE1    | PSPIE <sup>(1)</sup>                                     | ADIE  | RCIE         | TXIE  | SSPIE | CCP1IE       | TMR2IE | TMR1IE | 0000 0000             | 0000 0000              |
| 13h                     | SSPBUF  | Synchronous Serial Port Receive Buffer/Transmit Register |       |              |       |       |              |        |        | xxxx xxxx             | uuuu uuuu              |
| 14h                     | SSPCON  | WCOL   | SSPOV | SSPEN        | CKP   | SSPM3 | SSPM2        | SSPM1  | SSPM0  | 0000 0000             | 0000 0000              |
| 94h                     | SSPSTAT | SMP  | CKE   | D/ $\bar{A}$ | P     | S     | R/ $\bar{W}$ | UA     | BF     | 0000 0000             | 0000 0000              |

Legend: x = unknown, u = unchanged, - = unimplemented, read as '0'. Shaded cells are not used by the SSP in SPI mode.

**Note 1:** These bits are reserved on PIC16F873/876 devices; always maintain these bits clear.



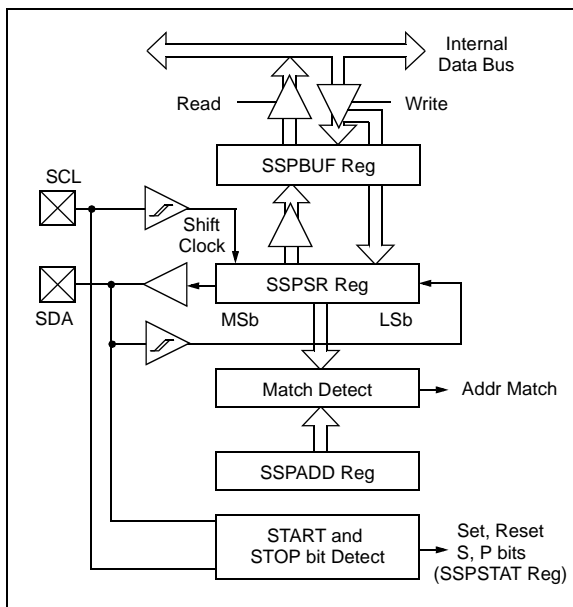
## 9.2 MSSP I<sup>2</sup>C Operation

The MSSP module in I<sup>2</sup>C mode, fully implements all master and slave functions (including general call support) and provides interrupts on START and STOP bits in hardware, to determine a free bus (multi-master function). The MSSP module implements the standard mode specifications, as well as 7-bit and 10-bit addressing.

Refer to Application Note AN578, "Use of the SSP Module in the I<sup>2</sup>C Multi-Master Environment."

A "glitch" filter is on the SCL and SDA pins when the pin is an input. This filter operates in both the 100 kHz and 400 kHz modes. In the 100 kHz mode, when these pins are an output, there is a slew rate control of the pin that is independent of device frequency.

**FIGURE 9-5: I<sup>2</sup>C SLAVE MODE BLOCK DIAGRAM**



Two pins are used for data transfer. These are the SCL pin, which is the clock, and the SDA pin, which is the data. The SDA and SCL pins are automatically configured when the I<sup>2</sup>C mode is enabled. The SSP module functions are enabled by setting SSP Enable bit SSPEN (SSPCON<5>).

The MSSP module has six registers for I<sup>2</sup>C operation. They are the:

- SSP Control Register (SSPCON)
- SSP Control Register2 (SSPCON2)
- SSP Status Register (SSPSTAT)
- Serial Receive/Transmit Buffer (SSPBUF)
- SSP Shift Register (SSPSR) - Not directly accessible
- SSP Address Register (SSPADD)

The SSPCON register allows control of the I<sup>2</sup>C operation. Four mode selection bits (SSPCON<3:0>) allow one of the following I<sup>2</sup>C modes to be selected:

- I<sup>2</sup>C Slave mode (7-bit address)
- I<sup>2</sup>C Slave mode (10-bit address)
- I<sup>2</sup>C Master mode, clock = OSC/4 (SSPADD +1)
- I<sup>2</sup>C firmware modes (provided for compatibility to other mid-range products)

Before selecting any I<sup>2</sup>C mode, the SCL and SDA pins must be programmed to inputs by setting the appropriate TRIS bits. Selecting an I<sup>2</sup>C mode by setting the SSPEN bit, enables the SCL and SDA pins to be used as the clock and data lines in I<sup>2</sup>C mode. Pull-up resistors must be provided externally to the SCL and SDA pins for the proper operation of the I<sup>2</sup>C module.

The CKE bit (SSPSTAT<6:7>) sets the levels of the SDA and SCL pins in either Master or Slave mode. When CKE = 1, the levels will conform to the SMBus specification. When CKE = 0, the levels will conform to the I<sup>2</sup>C specification.

The SSPSTAT register gives the status of the data transfer. This information includes detection of a START (S) or STOP (P) bit, specifies if the received byte was data or address, if the next byte is the completion of 10-bit address, and if this will be a read or write data transfer.

SSPBUF is the register to which the transfer data is written to, or read from. The SSPSR register shifts the data in or out of the device. In receive operations, the SSPBUF and SSPSR create a doubled buffered receiver. This allows reception of the next byte to begin before reading the last byte of received data. When the complete byte is received, it is transferred to the SSPBUF register and flag bit SSPIF is set. If another complete byte is received before the SSPBUF register is read, a receiver overflow has occurred and bit SSPOV (SSPCON<6>) is set and the byte in the SSPSR is lost.

The SSPADD register holds the slave address. In 10-bit mode, the user needs to write the high byte of the address (1111 0 A9 A8 0). Following the high byte address match, the low byte of the address needs to be loaded (A7:A0).

# PIC16F87X

## 9.2.1 SLAVE MODE

In Slave mode, the SCL and SDA pins must be configured as inputs. The MSSP module will override the input state with the output data, when required (slave-transmitter).

When an address is matched, or the data transfer after an address match is received, the hardware automatically will generate the Acknowledge ( $\overline{\text{ACK}}$ ) pulse, and then load the SSPBUF register with the received value currently in the SSPSR register.

There are certain conditions that will cause the MSSP module not to give this  $\overline{\text{ACK}}$  pulse. These are if either (or both):

- The buffer full bit BF (SSPSTAT<0>) was set before the transfer was received.
- The overflow bit SSPOV (SSPCON<6>) was set before the transfer was received.

If the BF bit is set, the SSPSR register value is not loaded into the SSPBUF, but bit SSPIF and SSPOV are set. Table 9-2 shows what happens when a data transfer byte is received, given the status of bits BF and SSPOV. The shaded cells show the condition where user software did not properly clear the overflow condition. Flag bit BF is cleared by reading the SSPBUF register, while bit SSPOV is cleared through software.

The SCL clock input must have a minimum high and low time for proper operation. The high and low times of the I<sup>2</sup>C specification, as well as the requirement of the MSSP module, is shown in timing parameter #100 and parameter #101 of the electrical specifications.

### 9.2.1.1 Addressing

Once the MSSP module has been enabled, it waits for a START condition to occur. Following the START condition, the 8-bits are shifted into the SSPSR register. All incoming bits are sampled with the rising edge of the clock (SCL) line. The value of register SSPSR<7:1> is compared to the value of the SSPADD register. The address is compared on the falling edge of the eighth clock (SCL) pulse. If the addresses match, and the BF and SSPOV bits are clear, the following events occur:

- The SSPSR register value is loaded into the SSPBUF register on the falling edge of the 8th SCL pulse.
- The buffer full bit, BF, is set on the falling edge of the 8th SCL pulse.
- An  $\overline{\text{ACK}}$  pulse is generated.
- SSP interrupt flag bit, SSPIF (PIR1<3>), is set (interrupt is generated if enabled) on the falling edge of the 9th SCL pulse.

In 10-bit address mode, two address bytes need to be received by the slave. The five Most Significant bits (MSBs) of the first address byte specify if this is a 10-bit address. Bit R/W (SSPSTAT<2>) must specify a write so the slave device will receive the second address byte.

For a 10-bit address, the first byte would equal '1111 0 A9 A8 0', where A9 and A8 are the two MSBs of the address. The sequence of events for a 10-bit address is as follows, with steps 7-9 for slave-transmitter:

- Receive first (high) byte of Address (bits SSPIF, BF and UA (SSPSTAT<1>) are set).
- Update the SSPADD register with the second (low) byte of Address (clears bit UA and releases the SCL line).
- Read the SSPBUF register (clears bit BF) and clear flag bit SSPIF.
- Receive second (low) byte of Address (bits SSPIF, BF and UA are set).
- Update the SSPADD register with the first (high) byte of Address. This will clear bit UA and release the SCL line.
- Read the SSPBUF register (clears bit BF) and clear flag bit SSPIF.
- Receive Repeated Start condition.
- Receive first (high) byte of Address (bits SSPIF and BF are set).
- Read the SSPBUF register (clears bit BF) and clear flag bit SSPIF.

**Note:** Following the Repeated START condition (step 7) in 10-bit mode, the user only needs to match the first 7-bit address. The user does not update the SSPADD for the second half of the address.

### 9.2.1.2 Slave Reception

When the R/W bit of the address byte is clear and an address match occurs, the R/W bit of the SSPSTAT register is cleared. The received address is loaded into the SSPBUF register.

When the address byte overflow condition exists, then no Acknowledge ( $\overline{\text{ACK}}$ ) pulse is given. An overflow condition is defined as either bit BF (SSPSTAT<0>) is set, or bit SSPOV (SSPCON<6>) is set. This is an error condition due to user firmware.

An SSP interrupt is generated for each data transfer byte. Flag bit SSPIF (PIR1<3>) must be cleared in software. The SSPSTAT register is used to determine the status of the received byte.

**Note:** The SSPBUF will be loaded if the SSPOV bit is set and the BF flag is cleared. If a read of the SSPBUF was performed, but the user did not clear the state of the SSPOV bit before the next receive occurred, the  $\overline{\text{ACK}}$  is not sent and the SSPBUF is updated.

**TABLE 9-2: DATA TRANSFER RECEIVED BYTE ACTIONS**

| Status Bits as Data Transfer is Received |       | SSPSR → SSPBUF | Generate $\overline{\text{ACK}}$ Pulse | Set bit SSPIF (SSP Interrupt occurs if enabled) |
|--|-------|----------------|--|---|
| BF                                       | SSPOV |                |  |   |
| 0  | 0     | Yes            | Yes                                    | Yes   |
| 1  | 0     | No             | No                                     | Yes   |
| 1  | 1     | No             | No                                     | Yes   |
| 0  | 1     | Yes            | No                                     | Yes   |

**Note:** Shaded cells show the conditions where the user software did not properly clear the overflow condition.

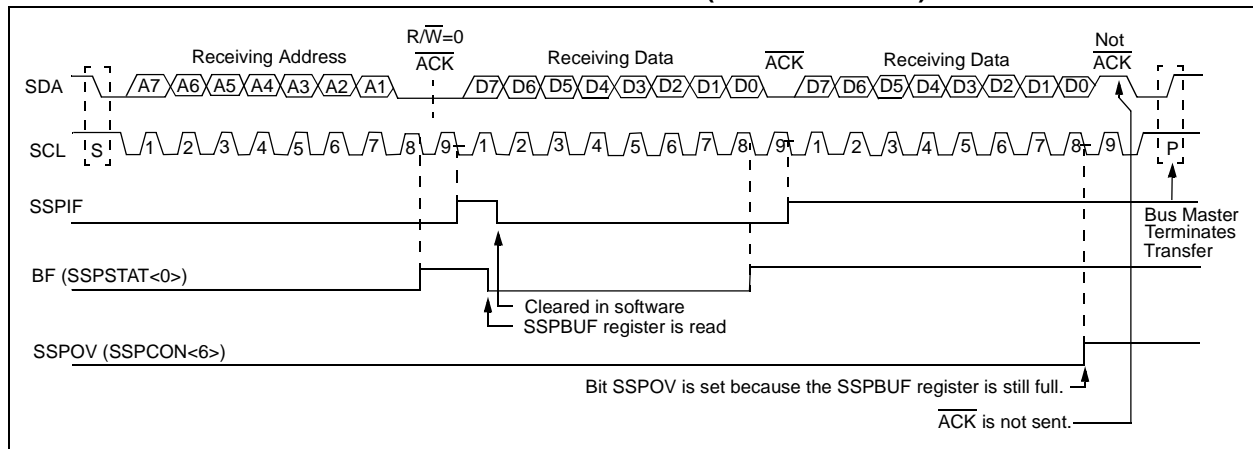
### 9.2.1.3 Slave Transmission

When the R/W bit of the incoming address byte is set and an address match occurs, the R/W bit of the SSPSTAT register is set. The received address is loaded into the SSPBUF register. The  $\overline{\text{ACK}}$  pulse will be sent on the ninth bit, and the SCL pin is held low. The transmit data must be loaded into the SSPBUF register, which also loads the SSPSR register. Then, the SCL pin should be enabled by setting bit CKP (SSPCON<4>). The master must monitor the SCL pin prior to asserting another clock pulse. The slave devices may be holding off the master by stretching the clock. The eight data bits are shifted out on the falling edge of the SCL input. This ensures that the SDA signal is valid during the SCL high time (Figure 9-7).

An SSP interrupt is generated for each data transfer byte. The SSPIF flag bit must be cleared in software and the SSPSTAT register is used to determine the status of the byte transfer. The SSPIF flag bit is set on the falling edge of the ninth clock pulse.

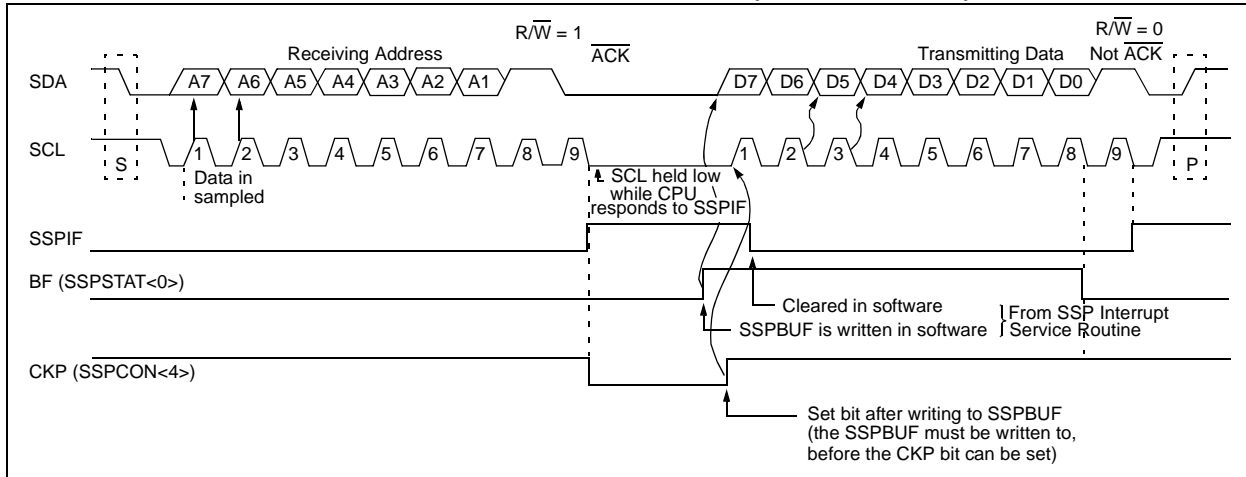
As a slave-transmitter, the  $\overline{\text{ACK}}$  pulse from the master receiver is latched on the rising edge of the ninth SCL input pulse. If the SDA line is high (not  $\overline{\text{ACK}}$ ), then the data transfer is complete. When the not  $\overline{\text{ACK}}$  is latched by the slave, the slave logic is reset and the slave then monitors for another occurrence of the START bit. If the SDA line was low ( $\overline{\text{ACK}}$ ), the transmit data must be loaded into the SSPBUF register, which also loads the SSPSR register. Then the SCL pin should be enabled by setting the CKP bit.

**FIGURE 9-6: I<sup>2</sup>C WAVEFORMS FOR RECEPTION (7-BIT ADDRESS)**



# PIC16F87X

**FIGURE 9-7: I<sup>2</sup>C WAVEFORMS FOR TRANSMISSION (7-BIT ADDRESS)**



## 9.2.2 GENERAL CALL ADDRESS SUPPORT

The addressing procedure for the I<sup>2</sup>C bus is such that the first byte after the START condition usually determines which device will be the slave addressed by the master. The exception is the general call address, which can address all devices. When this address is used, all devices should, in theory, respond with an acknowledge.

The general call address is one of eight addresses reserved for specific purposes by the I<sup>2</sup>C protocol. It consists of all 0's with R/W = 0.

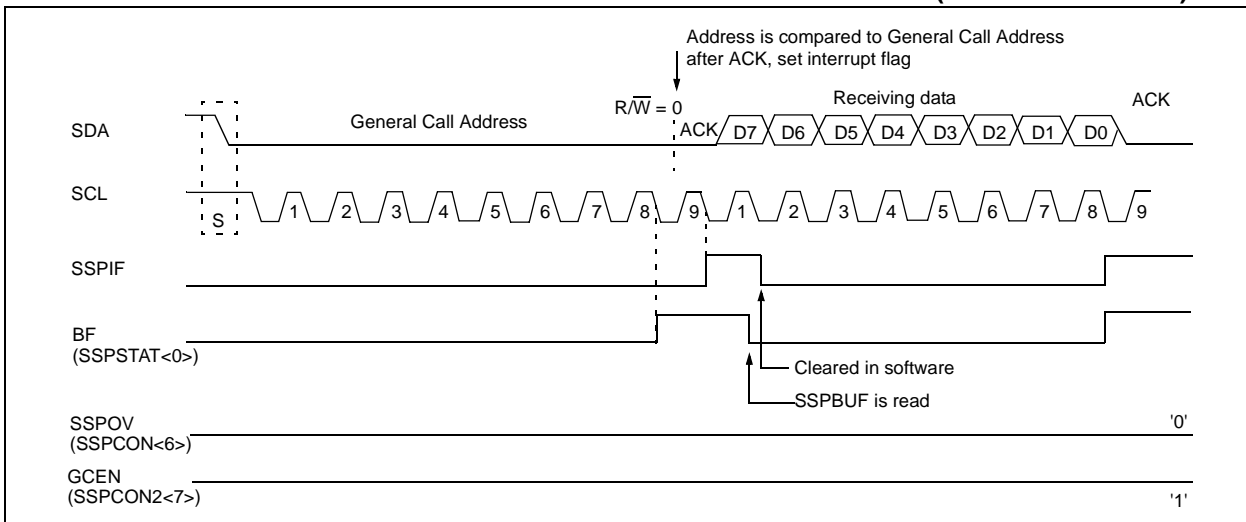
The general call address is recognized when the General Call Enable bit (GCEN) is enabled (SSPCON2<7> is set). Following a START bit detect, 8 bits are shifted into SSPSR and the address is compared against SSPADD. It is also compared to the general call address and fixed in hardware.

If the general call address matches, the SSPSR is transferred to the SSPBUF, the BF flag is set (eighth bit), and on the falling edge of the ninth bit ( $\overline{\text{ACK}}$  bit), the SSPIF flag is set.

When the interrupt is serviced, the source for the interrupt can be checked by reading the contents of the SSPBUF to determine if the address was device specific, or a general call address.

In 10-bit mode, the SSPADD is required to be updated for the second half of the address to match, and the UA bit is set (SSPSTAT<1>). If the general call address is sampled when GCEN is set, while the slave is configured in 10-bit address mode, then the second half of the address is not necessary, the UA bit will not be set, and the slave will begin receiving data after the Acknowledge (Figure 9-8).

**FIGURE 9-8: SLAVE MODE GENERAL CALL ADDRESS SEQUENCE (7 OR 10-BIT MODE)**



## 9.2.3 SLEEP OPERATION

While in SLEEP mode, the I<sup>2</sup>C module can receive addresses or data. When an address match or complete byte transfer occurs, wake the processor from SLEEP (if the SSP interrupt is enabled).

## 9.2.4 EFFECTS OF A RESET

A RESET disables the SSP module and terminates the current transfer.

**TABLE 9-3: REGISTERS ASSOCIATED WITH I<sup>2</sup>C OPERATION**

| Address                 | Name    | Bit 7  | Bit 6   | Bit 5        | Bit 4 | Bit 3 | Bit 2        | Bit 1  | Bit 0  | Value on:<br>POR, BOR | Value on:<br>MCLR,<br>WDT |
|-------------------------|---------|--|---------|--------------|-------|-------|--------------|--------|--------|-----------------------|---------------------------|
| 0Bh, 8Bh,<br>10Bh, 18Bh | INTCON  | GIE  | PEIE    | T0IE         | INTE  | RBIE  | T0IF         | INTF   | RBIF   | 0000 000x             | 0000 000u                 |
| 0Ch                     | PIR1    | PSPIF <sup>(1)</sup>                                     | ADIF    | RCIF         | TXIF  | SSPIF | CCP1IF       | TMR2IF | TMR1IF | 0000 0000             | 0000 0000                 |
| 8Ch                     | PIE1    | PSPIE <sup>(1)</sup>                                     | ADIE    | RCIE         | TXIE  | SSPIE | CCP1IE       | TMR2IE | TMR1IE | 0000 0000             | 0000 0000                 |
| 0Dh                     | PIR2    | —  | (2)     | —            | EEIF  | BCLIF | —            | —      | CCP2IF | -r-0 0--0             | -r-0 0--0                 |
| 8Dh                     | PIE2    | —  | (2)     | —            | EEIE  | BCLIE | —            | —      | CCP2IE | -r-0 0--0             | -r-0 0--0                 |
| 13h                     | SSPBUF  | Synchronous Serial Port Receive Buffer/Transmit Register |         |              |       |       |              |        |        | xxxx xxxx             | uuuu uuuu                 |
| 14h                     | SSPCON  | WCOL   | SSPOV   | SSPEN        | CKP   | SSPM3 | SSPM2        | SSPM1  | SSPM0  | 0000 0000             | 0000 0000                 |
| 91h                     | SSPCON2 | GCEN   | ACKSTAT | ACKDT        | ACKEN | RCEN  | PEN          | RSEN   | SEN    | 0000 0000             | 0000 0000                 |
| 93h                     | SSPADD  | I <sup>2</sup> C Slave Address/Master Baud Rate Register |         |              |       |       |              |        |        | 0000 0000             | 0000 0000                 |
| 94h                     | SSPSTAT | SMP  | CKE     | D/ $\bar{A}$ | P     | S     | R/ $\bar{W}$ | UA     | BF     | 0000 0000             | 0000 0000                 |

Legend: x = unknown, u = unchanged, - = unimplemented, read as '0'. Shaded cells are not used by the SSP in I<sup>2</sup>C mode.

**Note 1:** These bits are reserved on PIC16F873/876 devices; always maintain these bits clear.

**2:** These bits are reserved on these devices; always maintain these bits clear.

# PIC16F87X

## 9.2.5 MASTER MODE

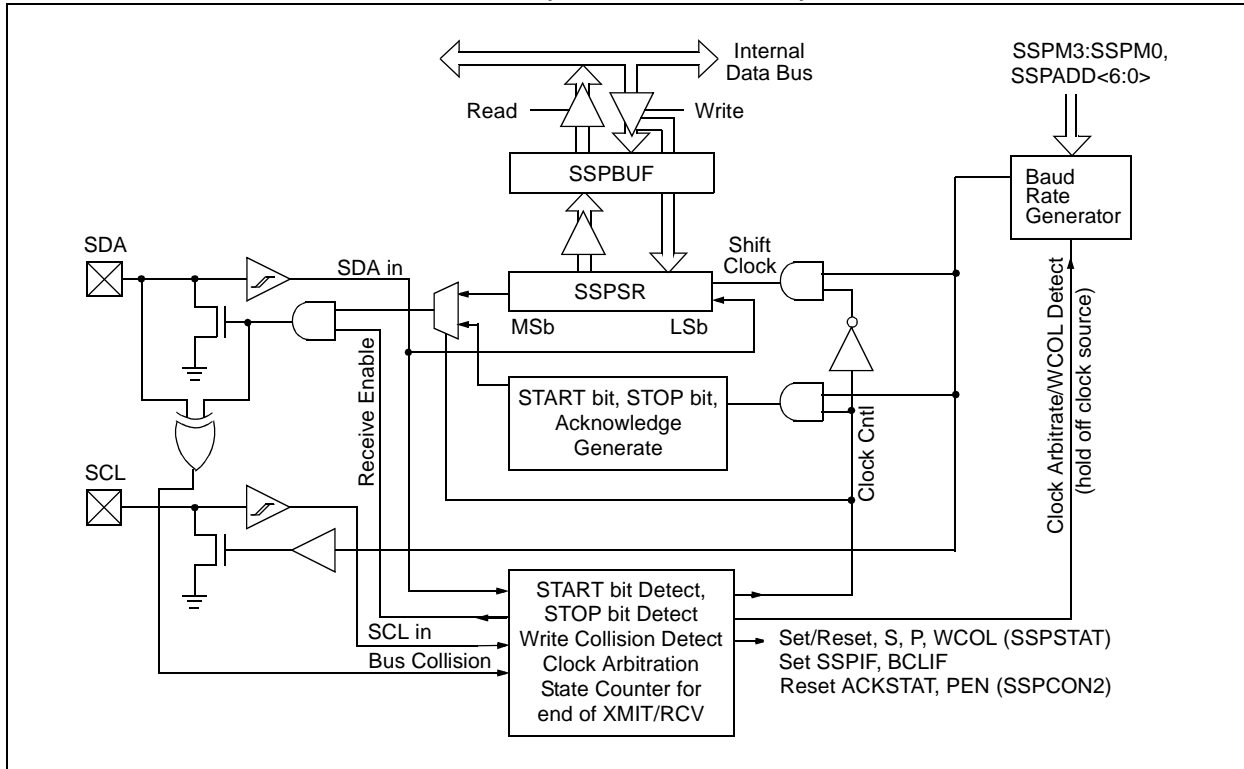
Master mode of operation is supported by interrupt generation on the detection of the START and STOP conditions. The STOP (P) and START (S) bits are cleared from a RESET, or when the MSSP module is disabled. Control of the I<sup>2</sup>C bus may be taken when the P bit is set, or the bus is idle, with both the S and P bits clear.

In Master mode, the SCL and SDA lines are manipulated by the MSSP hardware.

The following events will cause the SSP Interrupt Flag bit, SSPIF, to be set (an SSP interrupt will occur if enabled):

- START condition
- STOP condition
- Data transfer byte transmitted/received
- Acknowledge transmit
- Repeated START

**FIGURE 9-9: SSP BLOCK DIAGRAM (I<sup>2</sup>C MASTER MODE)**



## 9.2.6 MULTI-MASTER MODE

In Multi-Master mode, the interrupt generation on the detection of the START and STOP conditions allows the determination of when the bus is free. The STOP (P) and START (S) bits are cleared from a RESET or when the MSSP module is disabled. Control of the I<sup>2</sup>C bus may be taken when bit P (SSPSTAT<4>) is set, or the bus is idle with both the S and P bits clear. When the bus is busy, enabling the SSP Interrupt will generate the interrupt when the STOP condition occurs.

In Multi-Master operation, the SDA line must be monitored for arbitration to see if the signal level is the expected output level. This check is performed in hardware, with the result placed in the BCLIF bit.

The states where arbitration can be lost are:

- Address Transfer
- Data Transfer
- A START Condition
- A Repeated START Condition
- An Acknowledge Condition

## 9.2.7 I<sup>2</sup>C MASTER MODE SUPPORT

Master mode is enabled by setting and clearing the appropriate SSPM bits in SSPCON and by setting the SSPEN bit. Once Master mode is enabled, the user has six options:

- Assert a START condition on SDA and SCL.
- Assert a Repeated START condition on SDA and SCL.
- Write to the SSPBUF register initiating transmission of data/address.
- Generate a STOP condition on SDA and SCL.
- Configure the I<sup>2</sup>C port to receive data.
- Generate an Acknowledge condition at the end of a received byte of data.

**Note:** The MSSP Module, when configured in I<sup>2</sup>C Master mode, does not allow queueing of events. For instance, the user is not allowed to initiate a START condition and immediately write the SSPBUF register to initiate transmission before the START condition is complete. In this case, the SSPBUF will not be written to and the WCOL bit will be set, indicating that a write to the SSPBUF did not occur.

### 9.2.7.1 I<sup>2</sup>C Master Mode Operation

The master device generates all of the serial clock pulses and the START and STOP conditions. A transfer is ended with a STOP condition or with a Repeated START condition. Since the Repeated START condition is also the beginning of the next serial transfer, the I<sup>2</sup>C bus will not be released.

In Master Transmitter mode, serial data is output through SDA, while SCL outputs the serial clock. The first byte transmitted contains the slave address of the receiving device (7 bits) and the Read/Write (R/W) bit. In this case, the R/W bit will be logic '0'. Serial data is transmitted 8 bits at a time. After each byte is transmitted, an Acknowledge bit is received. START and STOP conditions are output to indicate the beginning and the end of a serial transfer.

In Master Receive mode, the first byte transmitted contains the slave address of the transmitting device (7 bits) and the R/W bit. In this case, the R/W bit will be logic '1'. Thus, the first byte transmitted is a 7-bit slave address followed by a '1' to indicate receive bit. Serial data is received via SDA, while SCL outputs the serial clock. Serial data is received 8 bits at a time. After each byte is received, an Acknowledge bit is transmitted. START and STOP conditions indicate the beginning and end of transmission.

The baud rate generator used for SPI mode operation is now used to set the SCL clock frequency for either 100 kHz, 400 kHz, or 1 MHz I<sup>2</sup>C operation. The baud rate generator reload value is contained in the lower 7 bits of the SSPADD register. The baud rate generator will automatically begin counting on a write to the

SSPBUF. Once the given operation is complete (i.e., transmission of the last data bit is followed by ACK), the internal clock will automatically stop counting and the SCL pin will remain in its last state.

A typical transmit sequence would go as follows:

- a) User generates a START condition by setting the START enable bit (SEN) in SSPCON2.
- b) SSPIF is set. The module will wait the required start time before any other operation takes place.
- c) User loads SSPBUF with address to transmit.
- d) Address is shifted out the SDA pin until all 8 bits are transmitted.
- e) MSSP module shifts in the ACK bit from the slave device and writes its value into the SSPCON2 register (SSPCON2<6>).
- f) MSSP module generates an interrupt at the end of the ninth clock cycle by setting SSPIF.
- g) User loads SSPBUF with eight bits of data.
- h) DATA is shifted out the SDA pin until all 8 bits are transmitted.
- i) MSSP module shifts in the ACK bit from the slave device, and writes its value into the SSPCON2 register (SSPCON2<6>).
- j) MSSP module generates an interrupt at the end of the ninth clock cycle by setting the SSPIF bit.
- k) User generates a STOP condition by setting the STOP enable bit, PEN, in SSPCON2.
- l) Interrupt is generated once the STOP condition is complete.

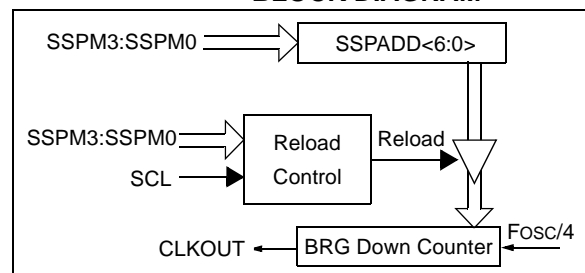
## 9.2.8 BAUD RATE GENERATOR

In I<sup>2</sup>C Master mode, the reload value for the BRG is located in the lower 7 bits of the SSPADD register (Figure 9-10). When the BRG is loaded with this value, the BRG counts down to 0 and stops until another reload has taken place. The BRG count is decremented twice per instruction cycle (Tcy), on the Q2 and Q4 clock.

In I<sup>2</sup>C Master mode, the BRG is reloaded automatically. If clock arbitration is taking place, the BRG will be reloaded when the SCL pin is sampled high (Figure 9-11).

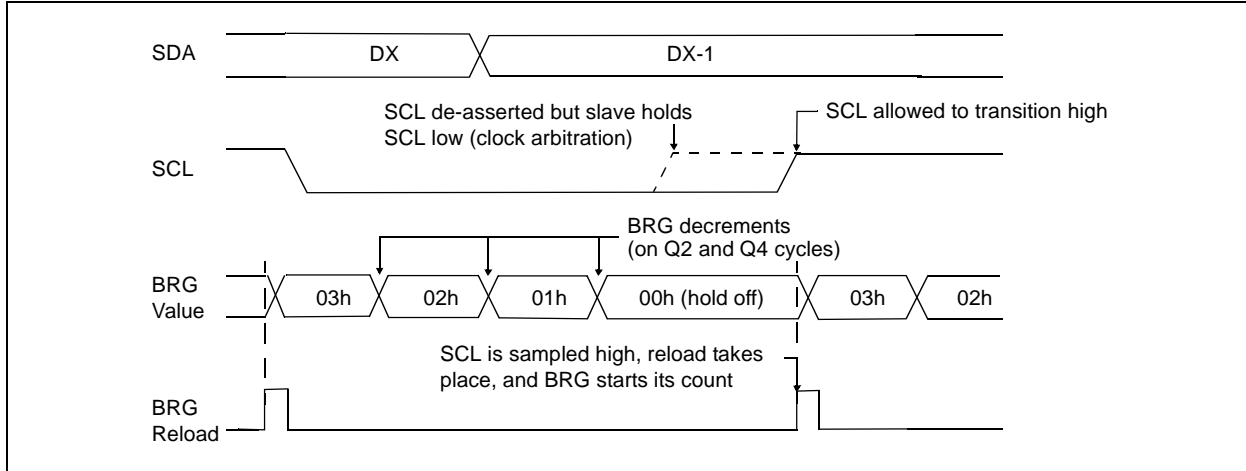
**Note:** Baud Rate = Fosc / (4 \* (SSPADD + 1))

**FIGURE 9-10: BAUD RATE GENERATOR BLOCK DIAGRAM**



# PIC16F87X

**FIGURE 9-11: BAUD RATE GENERATOR TIMING WITH CLOCK ARBITRATION**



## 9.2.9 I<sup>2</sup>C MASTER MODE START CONDITION TIMING

To initiate a START condition, the user sets the START condition enable bit, SEN (SSPCON2<0>). If the SDA and SCL pins are sampled high, the baud rate generator is reloaded with the contents of SSPADD<6:0> and starts its count. If SCL and SDA are both sampled high when the baud rate generator times out (TBRG), the SDA pin is driven low. The action of the SDA being driven low while SCL is high is the START condition, and causes the S bit (SSPSTAT<3>) to be set. Following this, the baud rate generator is reloaded with the contents of SSPADD<6:0> and resumes its count. When the baud rate generator times out (TBRG), the SEN bit (SSPCON2<0>) will be automatically cleared by hardware, leaving the SDA line held low, and the START condition is complete.

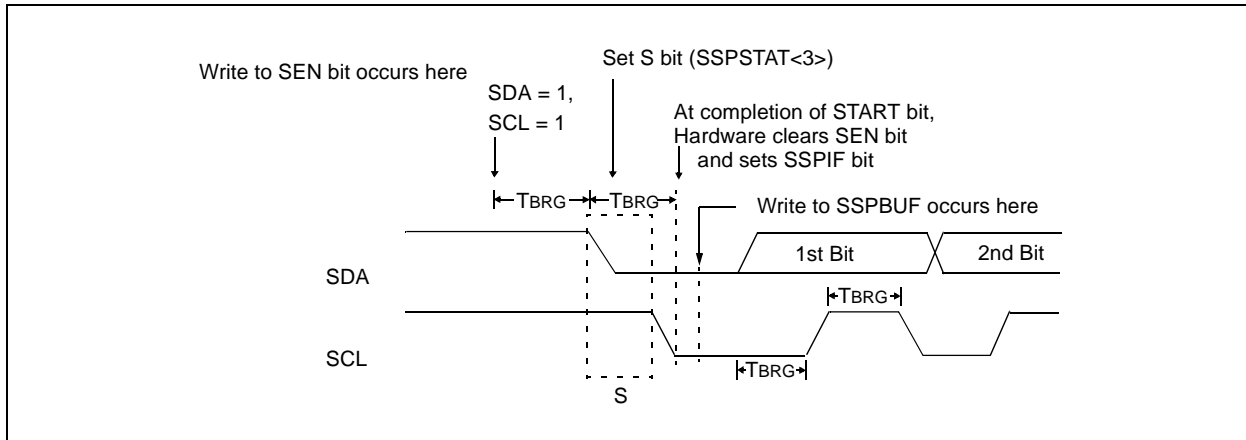
**Note:** If, at the beginning of START condition, the SDA and SCL pins are already sampled low, or if during the START condition the SCL line is sampled low before the SDA line is driven low, a bus collision occurs, the Bus Collision Interrupt Flag (BCLIF) is set, the START condition is aborted, and the I<sup>2</sup>C module is reset into its IDLE state.

### 9.2.9.1 WCOL Status Flag

If the user writes the SSPBUF when a START sequence is in progress, then WCOL is set and the contents of the buffer are unchanged (the write doesn't occur).

**Note:** Because queuing of events is not allowed, writing to the lower 5 bits of SSPCON2 is disabled until the START condition is complete.

**FIGURE 9-12: FIRST START BIT TIMING**





## 9.2.10 I<sup>2</sup>C MASTER MODE REPEATED START CONDITION TIMING

A Repeated START condition occurs when the RSEN bit (SSPCON2<1>) is programmed high and the I<sup>2</sup>C module is in the IDLE state. When the RSEN bit is set, the SCL pin is asserted low. When the SCL pin is sampled low, the baud rate generator is loaded with the contents of SSPADD<6:0> and begins counting. The SDA pin is released (brought high) for one baud rate generator count (TBRG). When the baud rate generator times out, if SDA is sampled high, the SCL pin will be de-asserted (brought high). When SCL is sampled high the baud rate generator is reloaded with the contents of SSPADD<6:0> and begins counting. SDA and SCL must be sampled high for one TBRG. This action is then followed by assertion of the SDA pin (SDA is low) for one TBRG, while SCL is high. Following this, the RSEN bit in the SSPCON2 register will be automatically cleared and the baud rate generator will not be reloaded, leaving the SDA pin held low. As soon as a START condition is detected on the SDA and SCL pins, the S bit (SSPSTAT<3>) will be set. The SSPIF bit will not be set until the baud rate generator has timed out.

**Note 1:** If RSEN is programmed while any other event is in progress, it will not take effect.

**2:** A bus collision during the Repeated START condition occurs if:

- SDA is sampled low when SCL goes from low to high.
- SCL goes low before SDA is asserted low. This may indicate that another master is attempting to transmit a data "1".

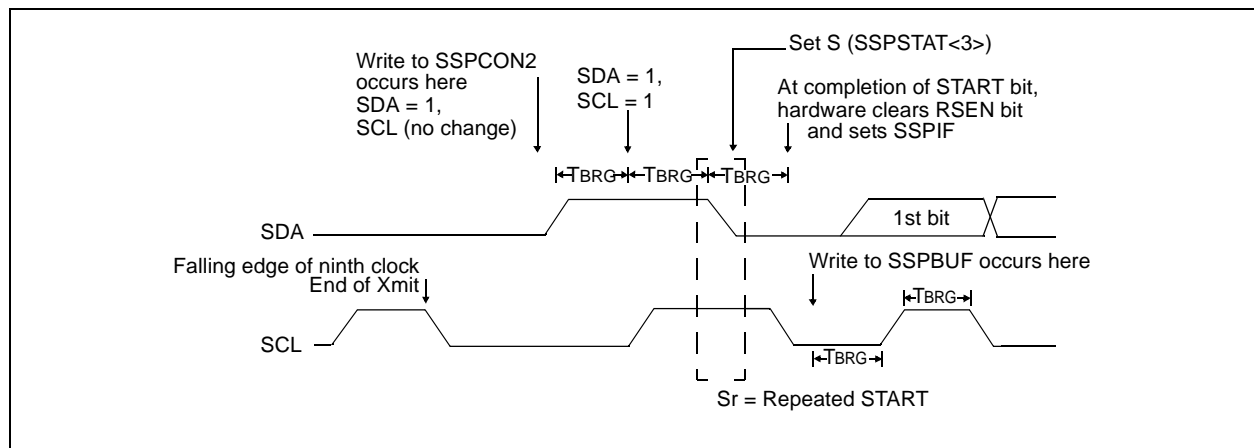
Immediately following the SSPIF bit getting set, the user may write the SSPBUF with the 7-bit address in 7-bit mode, or the default first address in 10-bit mode. After the first eight bits are transmitted and an ACK is received, the user may then transmit an additional eight bits of address (10-bit mode), or eight bits of data (7-bit mode).

### 9.2.10.1 WCOL Status Flag

If the user writes the SSPBUF when a Repeated START sequence is in progress, then WCOL is set and the contents of the buffer are unchanged (the write doesn't occur).

**Note:** Because queueing of events is not allowed, writing of the lower 5 bits of SSPCON2 is disabled until the Repeated START condition is complete.

**FIGURE 9-13: REPEAT START CONDITION WAVEFORM**



# PIC16F87X

---

## 9.2.11 I<sup>2</sup>C MASTER MODE TRANSMISSION

Transmission of a data byte, a 7-bit address, or either half of a 10-bit address, is accomplished by simply writing a value to SSPBUF register. This action will set the Buffer Full flag (BF) and allow the baud rate generator to begin counting and start the next transmission. Each bit of address/data will be shifted out onto the SDA pin after the falling edge of SCL is asserted (see data hold time spec). SCL is held low for one baud rate generator rollover count (TBRG). Data should be valid before SCL is released high (see data setup time spec). When the SCL pin is released high, it is held that way for TBRG. The data on the SDA pin must remain stable for that duration and some hold time after the next falling edge of SCL. After the eighth bit is shifted out (the falling edge of the eighth clock), the BF flag is cleared and the master releases SDA allowing the slave device being addressed to respond with an ACK bit during the ninth bit time, if an address match occurs or if data was received properly. The status of ACK is read into the ACKDT on the falling edge of the ninth clock. If the master receives an Acknowledge, the Acknowledge Status bit (ACKSTAT) is cleared. If not, the bit is set. After the ninth clock, the SSPIF is set and the master clock (baud rate generator) is suspended until the next data byte is loaded into the SSPBUF, leaving SCL low and SDA unchanged (Figure 9-14).

After the write to the SSPBUF, each bit of address will be shifted out on the falling edge of SCL, until all seven address bits and the R/W bit are completed. On the falling edge of the eighth clock, the master will de-assert the SDA pin, allowing the slave to respond with an Acknowledge. On the falling edge of the ninth clock, the master will sample the SDA pin to see if the address was recognized by a slave. The status of the ACK bit is loaded into the ACKSTAT status bit (SSPCON2<6>). Following the falling edge of the ninth clock transmission of the address, the SSPIF is set, the BF flag is cleared, and the baud rate generator is turned off until another write to the SSPBUF takes place, holding SCL low and allowing SDA to float.

### 9.2.11.1 BF Status Flag

In Transmit mode, the BF bit (SSPSTAT<0>) is set when the CPU writes to SSPBUF and is cleared when all 8 bits are shifted out.

### 9.2.11.2 WCOL Status Flag

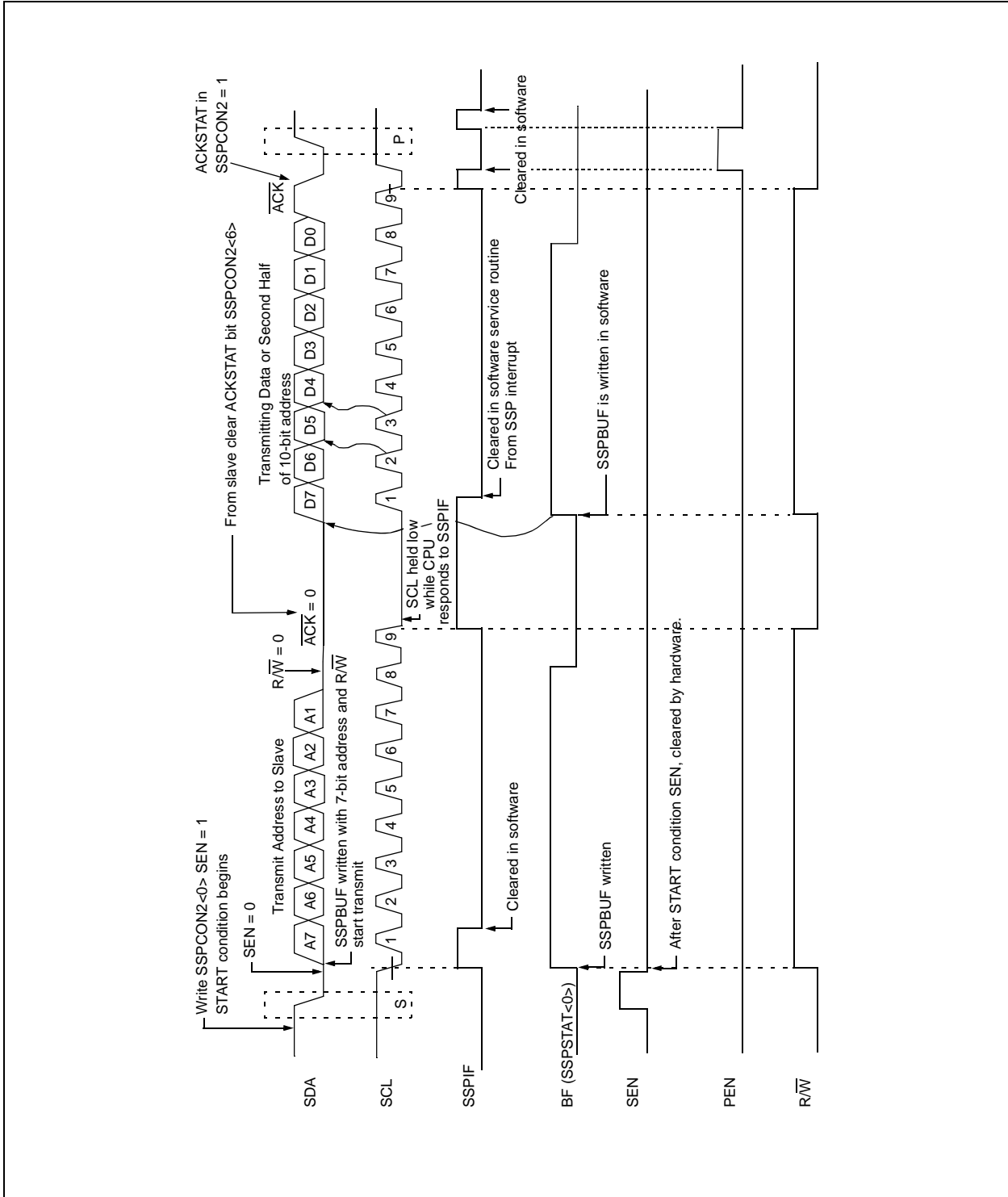
If the user writes the SSPBUF when a transmit is already in progress (i.e., SSPSR is still shifting out a data byte), then WCOL is set and the contents of the buffer are unchanged (the write doesn't occur).

WCOL must be cleared in software.

### 9.2.11.3 ACKSTAT Status Flag

In Transmit mode, the ACKSTAT bit (SSPCON2<6>) is cleared when the slave has sent an Acknowledge (ACK = 0), and is set when the slave does not Acknowledge (ACK = 1). A slave sends an Acknowledge when it has recognized its address (including a general call), or when the slave has properly received its data.

**FIGURE 9-14: I<sup>2</sup>C MASTER MODE TIMING (TRANSMISSION, 7 OR 10-BIT ADDRESS)**



# PIC16F87X

---

## 9.2.12 I<sup>2</sup>C MASTER MODE RECEPTION

Master mode reception is enabled by programming the Receive Enable bit, RCEN (SSPCON2<3>).

**Note:** The SSP module must be in an IDLE state before the RCEN bit is set, or the RCEN bit will be disregarded.

The baud rate generator begins counting, and on each rollover, the state of the SCL pin changes (high to low/low to high), and data is shifted into the SSPSR. After the falling edge of the eighth clock, the receive enable flag is automatically cleared, the contents of the SSPSR are loaded into the SSPBUF, the BF flag is set, the SSPIF is set, and the baud rate generator is suspended from counting, holding SCL low. The SSP is now in IDLE state, awaiting the next command. When the buffer is read by the CPU, the BF flag is automatically cleared. The user can then send an Acknowledge bit at the end of reception, by setting the Acknowledge Sequence Enable bit, ACKEN (SSPCON2<4>).

### 9.2.12.1 BF Status Flag

In receive operation, BF is set when an address or data byte is loaded into SSPBUF from SSPSR. It is cleared when SSPBUF is read.

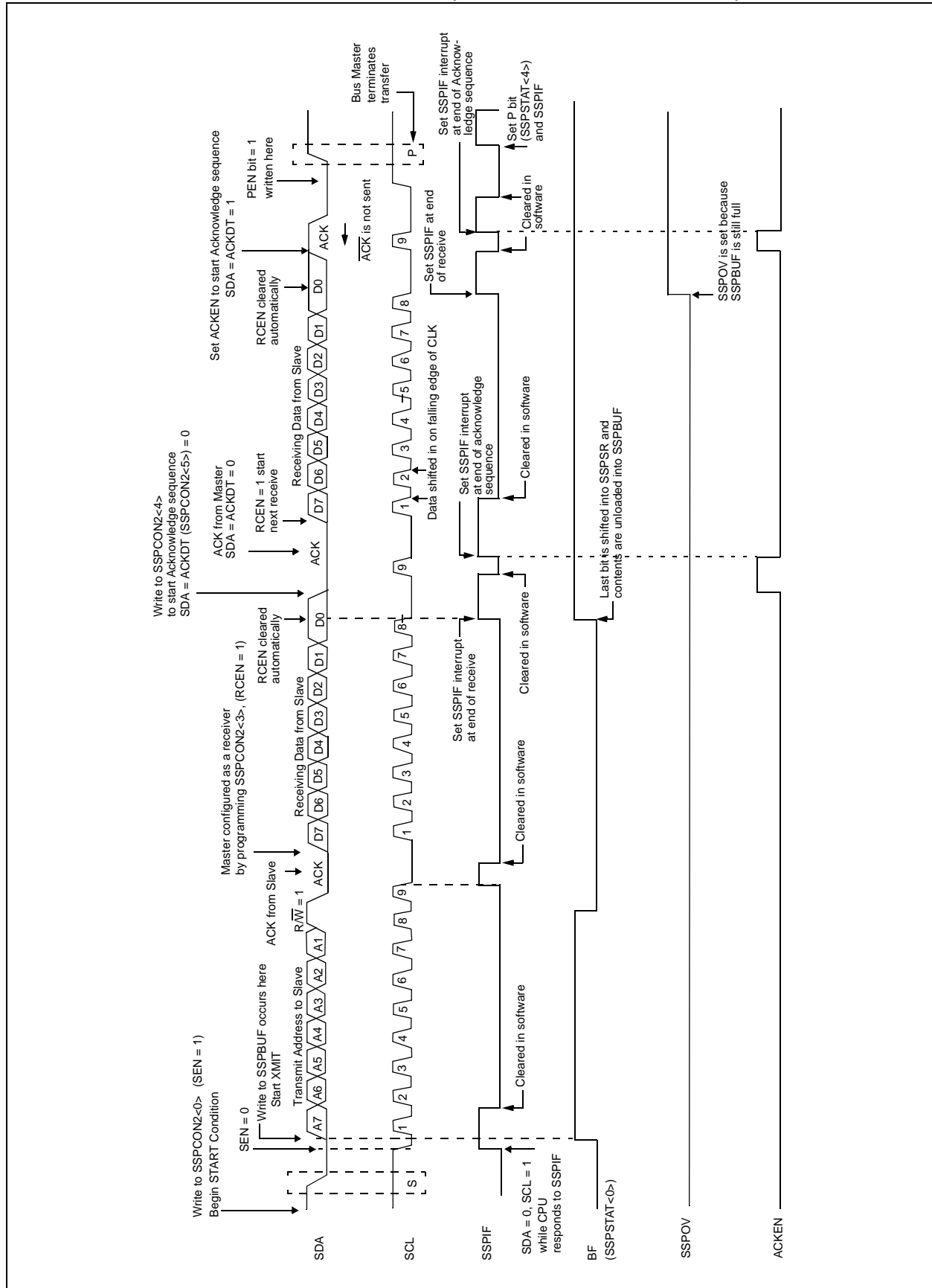
### 9.2.12.2 SSPOV Status Flag

In receive operation, SSPOV is set when 8 bits are received into the SSPSR, and the BF flag is already set from a previous reception.

### 9.2.12.3 WCOL Status Flag

If the user writes the SSPBUF when a receive is already in progress (i.e., SSPSR is still shifting in a data byte), then WCOL is set and the contents of the buffer are unchanged (the write doesn't occur).

**FIGURE 9-15: I<sup>2</sup>C MASTER MODE TIMING (RECEPTION, 7-BIT ADDRESS)**



# PIC16F87X

## 9.2.13 ACKNOWLEDGE SEQUENCE TIMING

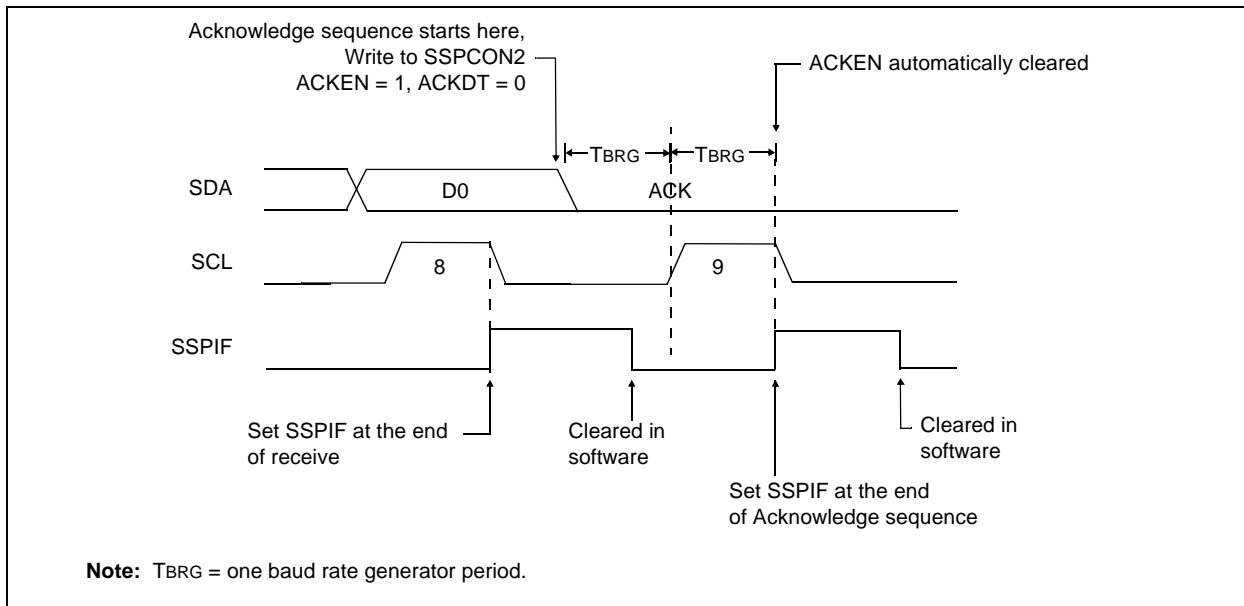
An Acknowledge sequence is enabled by setting the Acknowledge Sequence Enable bit, ACKEN (SSPCON2<4>). When this bit is set, the SCL pin is pulled low and the contents of the Acknowledge data bit is presented on the SDA pin. If the user wishes to generate an Acknowledge, the ACKDT bit should be cleared. If not, the user should set the ACKDT bit before starting an Acknowledge sequence. The baud rate generator then counts for one rollover period (TBRG), and the SCL pin is de-asserted high. When the SCL pin is sampled high (clock arbitration), the baud

rate generator counts for TBRG. The SCL pin is then pulled low. Following this, the ACKEN bit is automatically cleared, the baud rate generator is turned off, and the SSP module then goes into IDLE mode (Figure 9-16).

### 9.2.13.1 WCOL Status Flag

If the user writes the SSPBUF when an Acknowledge sequence is in progress, the WCOL is set and the contents of the buffer are unchanged (the write doesn't occur).

**FIGURE 9-16: ACKNOWLEDGE SEQUENCE WAVEFORM**



## 9.2.14 STOP CONDITION TIMING

A STOP bit is asserted on the SDA pin at the end of a receive/transmit by setting the Stop Sequence Enable bit, PEN (SSPCON2<2>). At the end of a receive/transmit, the SCL line is held low after the falling edge of the ninth clock. When the PEN bit is set, the master will assert the SDA line low. When the SDA line is sampled low, the baud rate generator is reloaded and counts down to 0. When the baud rate generator times out, the SCL pin will be brought high, and one TBRG (baud rate generator rollover count) later, the SDA pin will be de-asserted. When the SDA pin is sampled high

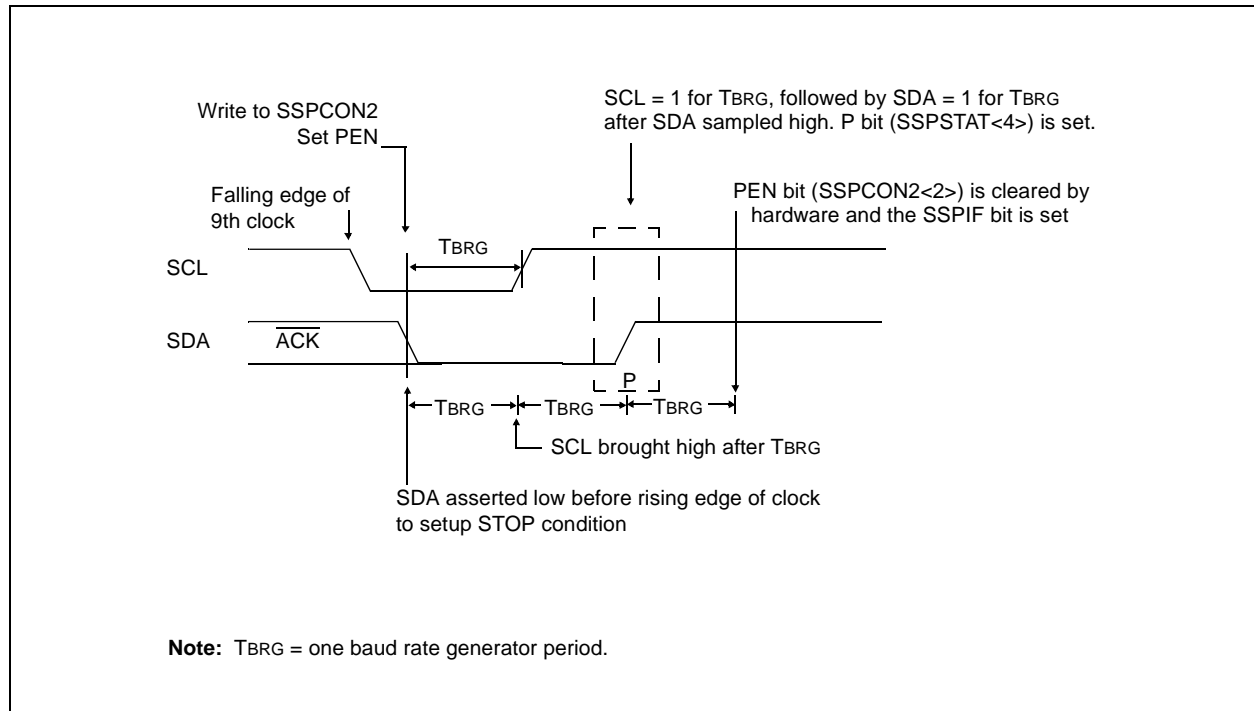
while SCL is high, the P bit (SSPSTAT<4>) is set. A TBRG later, the PEN bit is cleared and the SSPIF bit is set (Figure 9-17).

Whenever the firmware decides to take control of the bus, it will first determine if the bus is busy by checking the S and P bits in the SSPSTAT register. If the bus is busy, then the CPU can be interrupted (notified) when a STOP bit is detected (i.e., bus is free).

### 9.2.14.1 WCOL Status Flag

If the user writes the SSPBUF when a STOP sequence is in progress, then WCOL is set and the contents of the buffer are unchanged (the write doesn't occur).

**FIGURE 9-17: STOP CONDITION RECEIVE OR TRANSMIT MODE**



# PIC16F87X

## 9.2.15 CLOCK ARBITRATION

Clock arbitration occurs when the master, during any receive, transmit, or Repeated START/STOP condition, de-asserts the SCL pin (SCL allowed to float high). When the SCL pin is allowed to float high, the baud rate generator (BRG) is suspended from counting until the SCL pin is actually sampled high. When the SCL pin is sampled high, the baud rate generator is reloaded with the contents of SSPADD<6:0> and begins counting. This ensures that the SCL high time will always be at least one BRG rollover count in the event that the clock is held low by an external device (Figure 9-18).

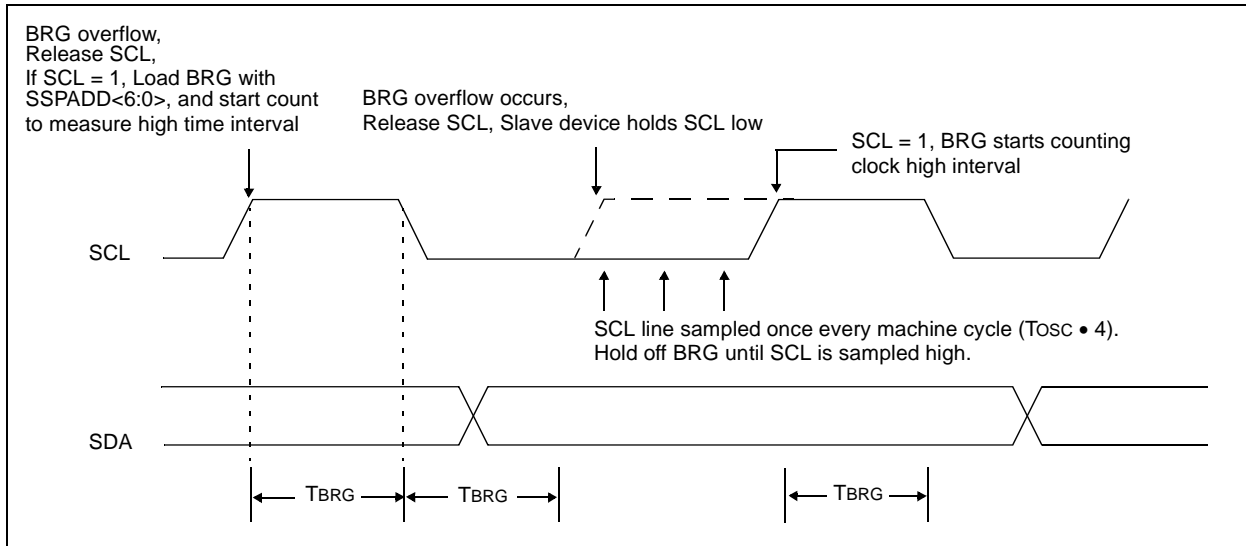
## 9.2.16 SLEEP OPERATION

While in SLEEP mode, the I<sup>2</sup>C module can receive addresses or data, and when an address match or complete byte transfer occurs, wake the processor from SLEEP (if the SSP interrupt is enabled).

## 9.2.17 EFFECTS OF A RESET

A RESET disables the SSP module and terminates the current transfer.

**FIGURE 9-18: CLOCK ARBITRATION TIMING IN MASTER TRANSMIT MODE**





## 9.2.18 MULTI-MASTER COMMUNICATION, BUS COLLISION, AND BUS ARBITRATION

Multi-Master mode support is achieved by bus arbitration. When the master outputs address/data bits onto the SDA pin, arbitration takes place when the master outputs a '1' on SDA, by letting SDA float high and another master asserts a '0'. When the SCL pin floats high, data should be stable. If the expected data on SDA is a '1' and the data sampled on the SDA pin = '0', a bus collision has taken place. The master will set the Bus Collision Interrupt Flag, BCLIF and reset the I<sup>2</sup>C port to its IDLE state (Figure 9-19).

If a transmit was in progress when the bus collision occurred, the transmission is halted, the BF flag is cleared, the SDA and SCL lines are de-asserted, and the SSPBUF can be written to. When the user services the bus collision Interrupt Service Routine, and if the I<sup>2</sup>C bus is free, the user can resume communication by asserting a START condition.

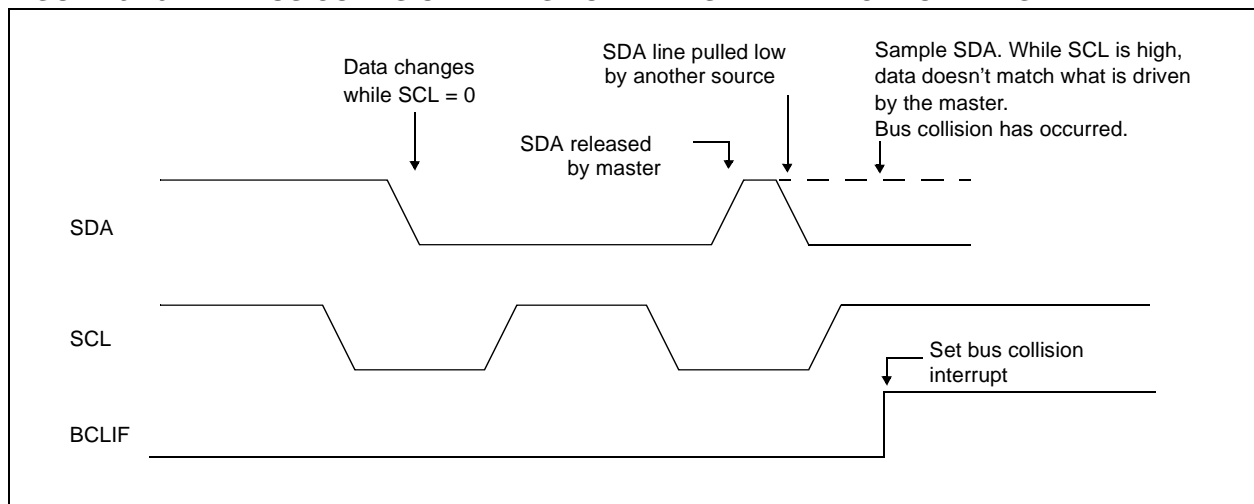
If a START, Repeated START, STOP, or Acknowledge condition was in progress when the bus collision occurred, the condition is aborted, the SDA and SCL lines are de-asserted, and the respective control bits in the SSPCON2 register are cleared. When the user services the bus collision Interrupt Service Routine, and if the I<sup>2</sup>C bus is free, the user can resume communication by asserting a START condition.

The master will continue to monitor the SDA and SCL pins and if a STOP condition occurs, the SSPIF bit will be set.

A write to the SSPBUF will start the transmission of data at the first data bit, regardless of where the transmitter left off when the bus collision occurred.

In Multi-Master mode, the interrupt generation on the detection of START and STOP conditions allows the determination of when the bus is free. Control of the I<sup>2</sup>C bus can be taken when the P bit is set in the SSPSTAT register, or the bus is idle and the S and P bits are cleared.

**FIGURE 9-19: BUS COLLISION TIMING FOR TRANSMIT AND ACKNOWLEDGE**



# PIC16F87X

## 9.2.18.1 Bus Collision During a START Condition

During a START condition, a bus collision occurs if:

- SDA or SCL are sampled low at the beginning of the START condition (Figure 9-20).
- SCL is sampled low before SDA is asserted low (Figure 9-21).

During a START condition, both the SDA and the SCL pins are monitored. If either the SDA pin or the SCL pin is already low, then these events all occur:

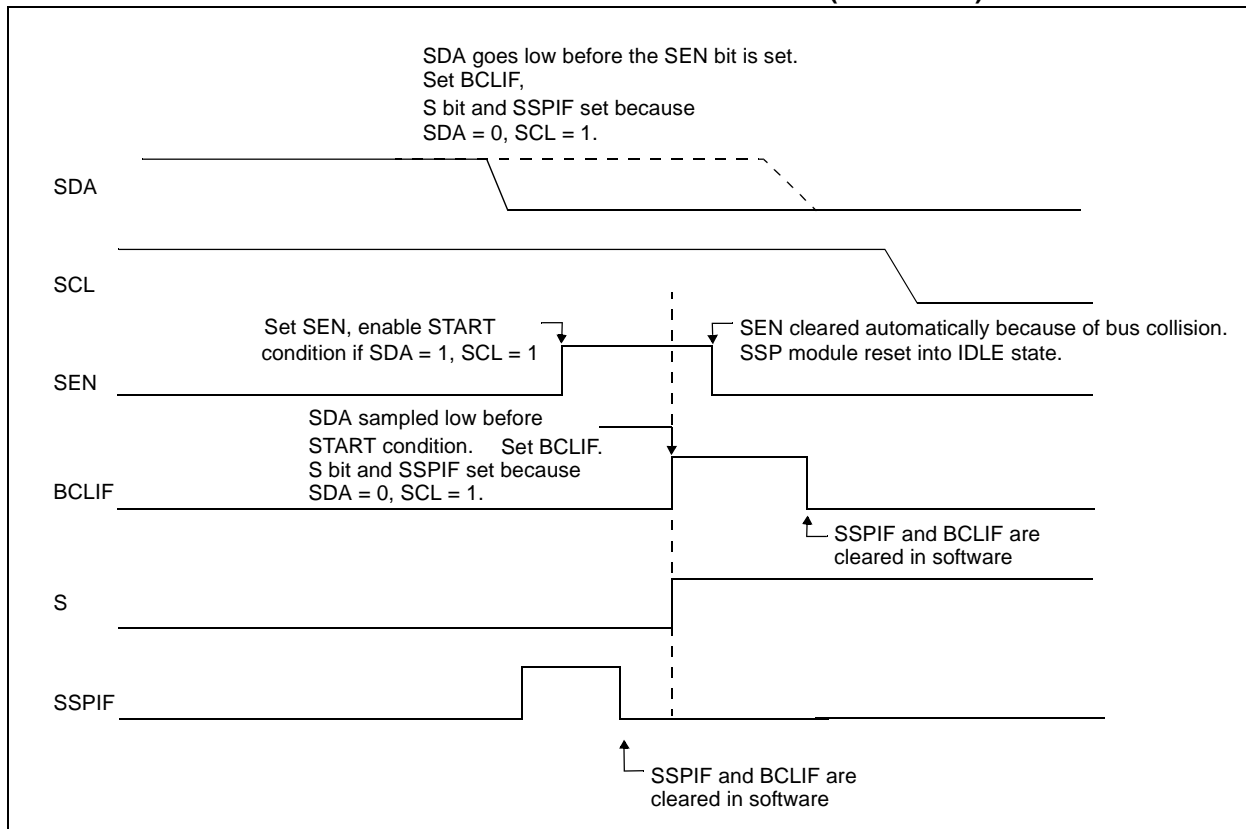
- the START condition is aborted,
- and the BCLIF flag is set,
- and the SSP module is reset to its IDLE state (Figure 9-20).

The START condition begins with the SDA and SCL pins de-asserted. When the SDA pin is sampled high, the baud rate generator is loaded from SSPADD<6:0> and counts down to 0. If the SCL pin is sampled low while SDA is high, a bus collision occurs, because it is assumed that another master is attempting to drive a data '1' during the START condition.

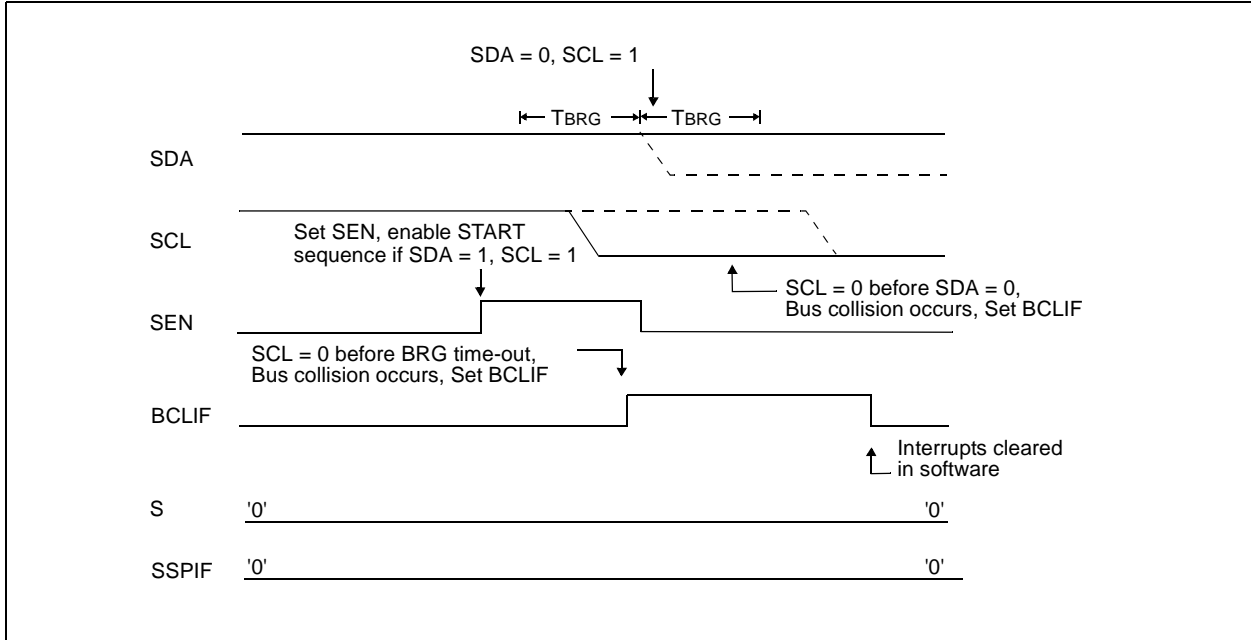
If the SDA pin is sampled low during this count, the BRG is reset and the SDA line is asserted early (Figure 9-22). If, however, a '1' is sampled on the SDA pin, the SDA pin is asserted low at the end of the BRG count. The baud rate generator is then reloaded and counts down to 0. During this time, if the SCL pins are sampled as '0', a bus collision does not occur. At the end of the BRG count, the SCL pin is asserted low.

**Note:** The reason that bus collision is not a factor during a START condition is that no two bus masters can assert a START condition at the exact same time. Therefore, one master will always assert SDA before the other. This condition does not cause a bus collision, because the two masters must be allowed to arbitrate the first address following the START condition. If the address is the same, arbitration must be allowed to continue into the data portion, Repeated START, or STOP conditions.

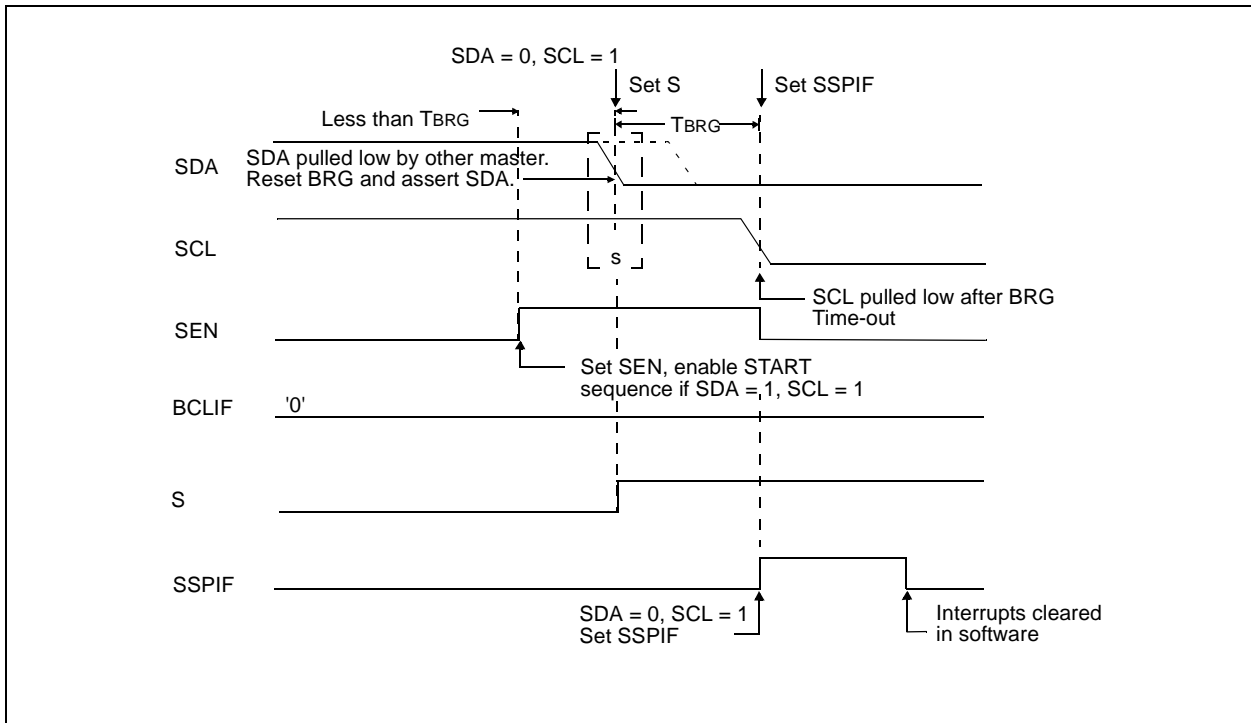
**FIGURE 9-20: BUS COLLISION DURING START CONDITION (SDA ONLY)**



**FIGURE 9-21: BUS COLLISION DURING START CONDITION (SCL = 0)**



**FIGURE 9-22: BRG RESET DUE TO SDA COLLISION DURING START CONDITION**



# PIC16F87X

## 9.2.18.2 Bus Collision During a Repeated START Condition

During a Repeated START condition, a bus collision occurs if:

- a) A low level is sampled on SDA when SCL goes from low level to high level.
- b) SCL goes low before SDA is asserted low, indicating that another master is attempting to transmit a data '1'.

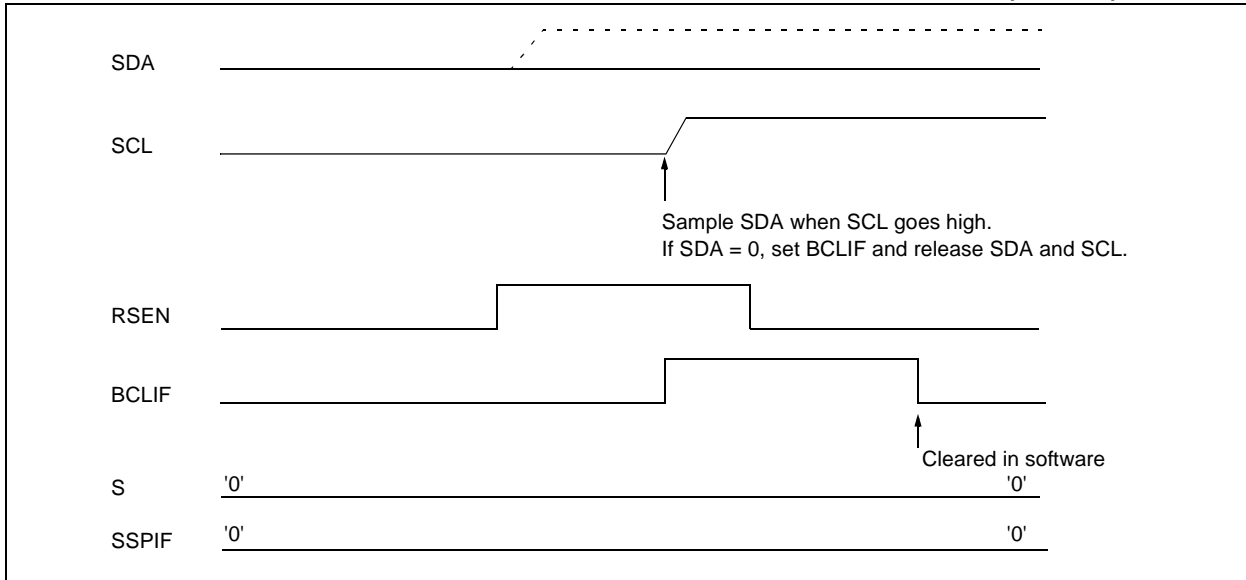
When the user de-asserts SDA and the pin is allowed to float high, the BRG is loaded with SSPADD<6:0> and counts down to 0. The SCL pin is then de-asserted, and when sampled high, the SDA pin is sampled. If SDA is low, a bus collision has occurred (i.e., another master is attempting to transmit a data '0'). If, however,

SDA is sampled high, the BRG is reloaded and begins counting. If SDA goes from high to low before the BRG times out, no bus collision occurs, because no two masters can assert SDA at exactly the same time.

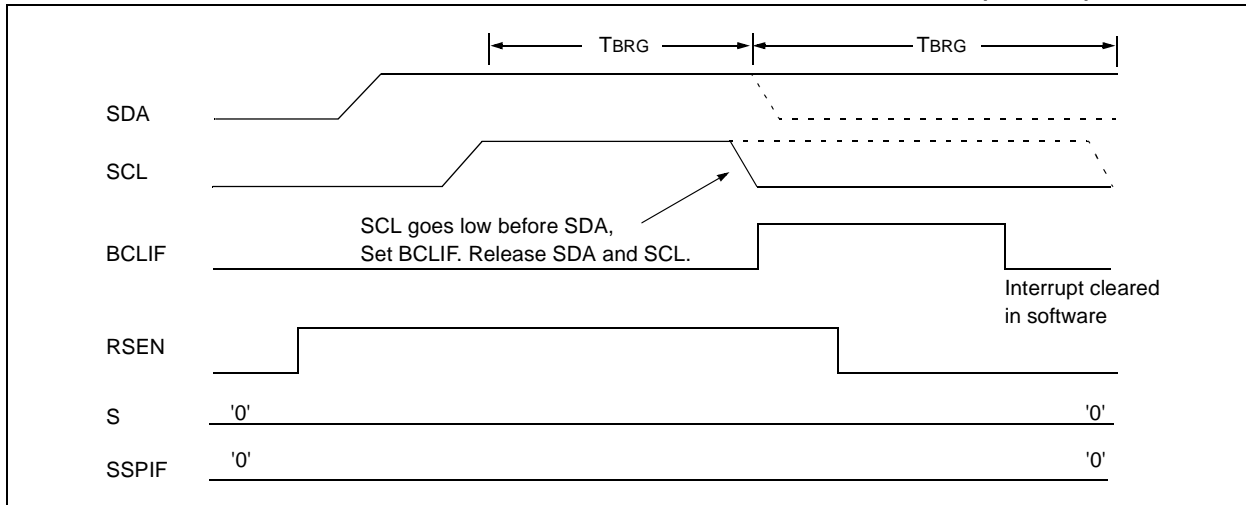
If, however, SCL goes from high to low before the BRG times out and SDA has not already been asserted, a bus collision occurs. In this case, another master is attempting to transmit a data '1' during the Repeated START condition.

If at the end of the BRG time-out, both SCL and SDA are still high, the SDA pin is driven low, the BRG is reloaded and begins counting. At the end of the count, regardless of the status of the SCL pin, the SCL pin is driven low and the Repeated START condition is complete (Figure 9-23).

**FIGURE 9-23: BUS COLLISION DURING A REPEATED START CONDITION (CASE 1)**



**FIGURE 9-24: BUS COLLISION DURING REPEATED START CONDITION (CASE 2)**



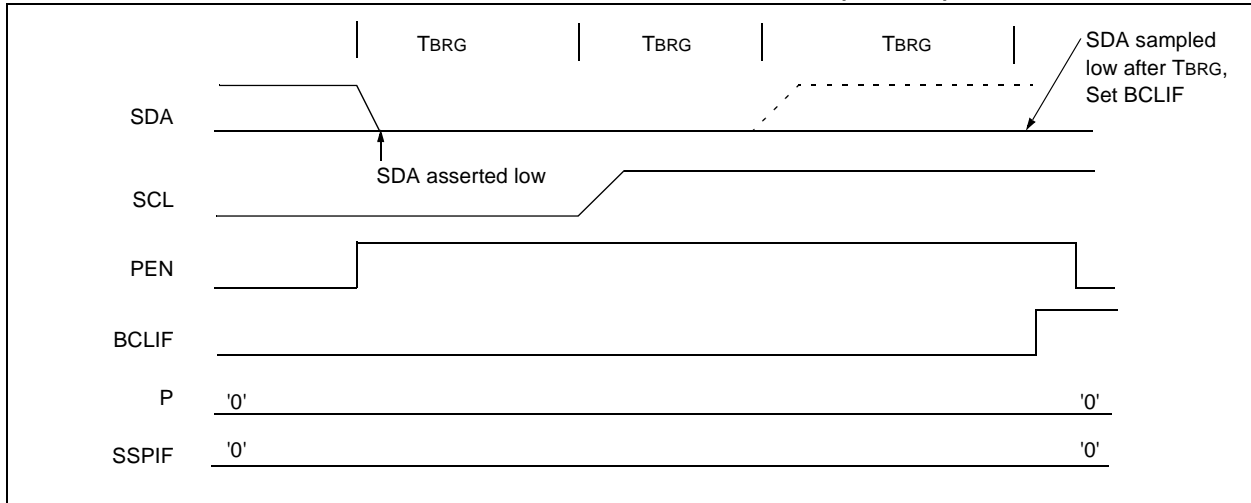
## 9.2.18.3 Bus Collision During a STOP Condition

Bus collision occurs during a STOP condition if:

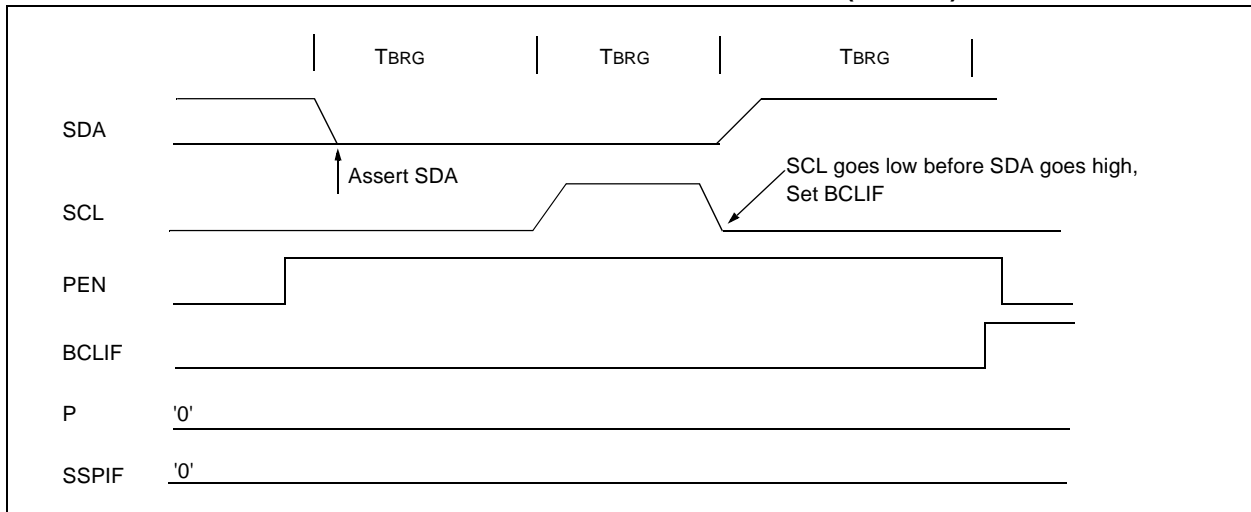
- After the SDA pin has been de-asserted and allowed to float high, SDA is sampled low after the BRG has timed out.
- After the SCL pin is de-asserted, SCL is sampled low before SDA goes high.

The STOP condition begins with SDA asserted low. When SDA is sampled low, the SCL pin is allowed to float. When the pin is sampled high (clock arbitration), the baud rate generator is loaded with SSPADD<6:0> and counts down to 0. After the BRG times out, SDA is sampled. If SDA is sampled low, a bus collision has occurred. This is due to another master attempting to drive a data '0'. If the SCL pin is sampled low before SDA is allowed to float high, a bus collision occurs. This is a case of another master attempting to drive a data '0' (Figure 9-25).

**FIGURE 9-25: BUS COLLISION DURING A STOP CONDITION (CASE 1)**



**FIGURE 9-26: BUS COLLISION DURING A STOP CONDITION (CASE 2)**



# PIC16F87X

## 9.3 Connection Considerations for I<sup>2</sup>C Bus

For standard-mode I<sup>2</sup>C bus devices, the values of resistors  $R_p$  and  $R_s$  in Figure 9-27 depend on the following parameters:

- Supply voltage
- Bus capacitance
- Number of connected devices (input current + leakage current)

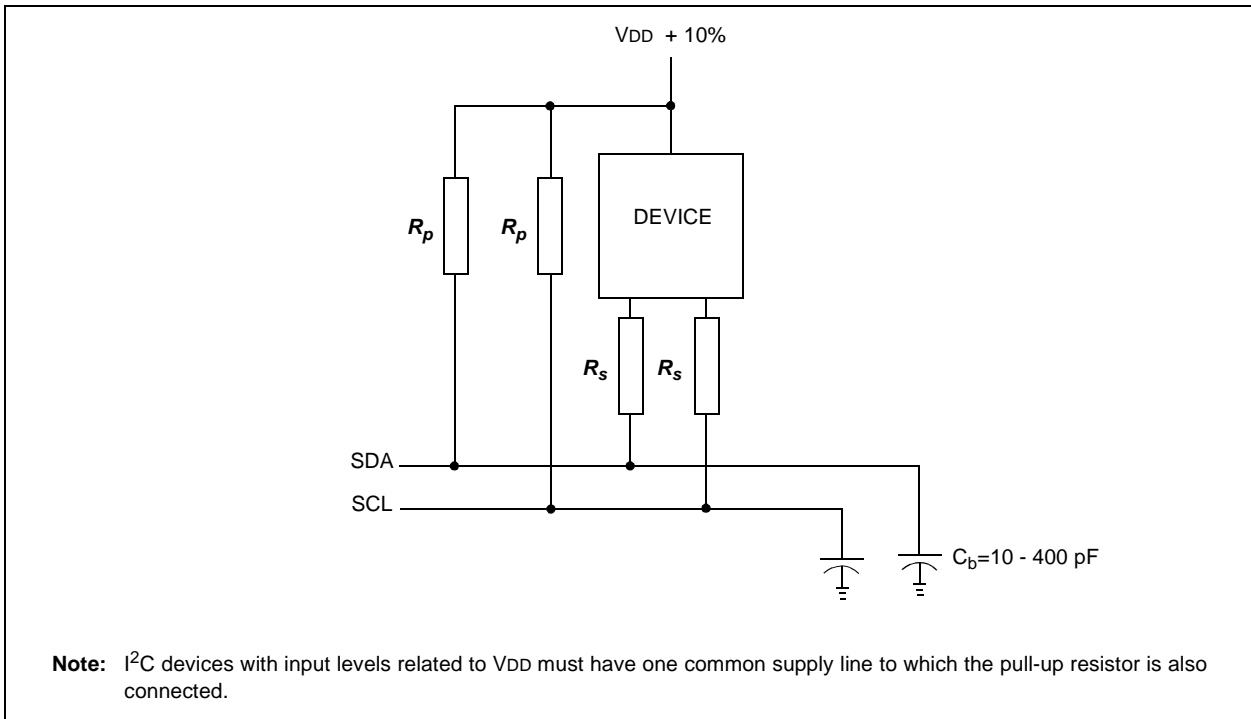
The supply voltage limits the minimum value of resistor  $R_p$ , due to the specified minimum sink current of 3 mA at  $V_{OL\ max} = 0.4V$ , for the specified output stages. For

example, with a supply voltage of  $V_{DD} = 5V \pm 10\%$  and  $V_{OL\ max} = 0.4V$  at 3 mA,  $R_p\ min = (5.5 - 0.4) / 0.003 = 1.7\ k\Omega$ .  $V_{DD}$  as a function of  $R_p$  is shown in Figure 9-27. The desired noise margin of  $0.1V_{DD}$  for the low level limits the maximum value of  $R_s$ . Series resistors are optional and used to improve ESD susceptibility.

The bus capacitance is the total capacitance of wire, connections, and pins. This capacitance limits the maximum value of  $R_p$  due to the specified rise time (Figure 9-27).

The SMP bit is the slew rate control enabled bit. This bit is in the SSPSTAT register, and controls the slew rate of the I/O pins when in I<sup>2</sup>C mode (master or slave).

FIGURE 9-27: SAMPLE DEVICE CONFIGURATION FOR I<sup>2</sup>C BUS



## 10.0 ADDRESSABLE UNIVERSAL SYNCHRONOUS ASYNCHRONOUS RECEIVER TRANSMITTER (USART)

The Universal Synchronous Asynchronous Receiver Transmitter (USART) module is one of the two serial I/O modules. (USART is also known as a Serial Communications Interface or SCI.) The USART can be configured as a full duplex asynchronous system that can communicate with peripheral devices such as CRT terminals and personal computers, or it can be configured as a half duplex synchronous system that can communicate with peripheral devices such as A/D or D/A integrated circuits, serial EEPROMs etc.

The USART can be configured in the following modes:

- Asynchronous (full duplex)
- Synchronous - Master (half duplex)
- Synchronous - Slave (half duplex)

Bit SPEN (RCSTA<7>) and bits TRISC<7:6> have to be set in order to configure pins RC6/TX/CK and RC7/RX/DT as the Universal Synchronous Asynchronous Receiver Transmitter.

The USART module also has a multi-processor communication capability using 9-bit address detection.

### REGISTER 10-1: TXSTA: TRANSMIT STATUS AND CONTROL REGISTER (ADDRESS 98h)

|       |       |       |       |     |       |       |       |
|-------|-------|-------|-------|-----|-------|-------|-------|
| R/W-0 | R/W-0 | R/W-0 | R/W-0 | U-0 | R/W-0 | R-1   | R/W-0 |
| CSRC  | TX9   | TXEN  | SYNC  | —   | BRGH  | TRMT  | TX9D  |
|       |       |       |       |     |       | bit 7 | bit 0 |

- bit 7      **CSRC:** Clock Source Select bit  
Asynchronous mode:  
 Don't care  
Synchronous mode:  
 1 = Master mode (clock generated internally from BRG)  
 0 = Slave mode (clock from external source)
- bit 6      **TX9:** 9-bit Transmit Enable bit  
 1 = Selects 9-bit transmission  
 0 = Selects 8-bit transmission
- bit 5      **TXEN:** Transmit Enable bit  
 1 = Transmit enabled  
 0 = Transmit disabled
- Note:** SREN/CREN overrides TXEN in SYNC mode.
- bit 4      **SYNC:** USART Mode Select bit  
 1 = Synchronous mode  
 0 = Asynchronous mode
- bit 3      **Unimplemented:** Read as '0'
- bit 2      **BRGH:** High Baud Rate Select bit  
Asynchronous mode:  
 1 = High speed  
 0 = Low speed  
Synchronous mode:  
 Unused in this mode
- bit 1      **TRMT:** Transmit Shift Register Status bit  
 1 = TSR empty  
 0 = TSR full
- bit 0      **TX9D:** 9th bit of Transmit Data, can be parity bit

|                    |                  |                                    |                    |
|--------------------|------------------|------------------------------------|--------------------|
| Legend:            |                  |                                    |                    |
| R = Readable bit   | W = Writable bit | U = Unimplemented bit, read as '0' |                    |
| - n = Value at POR | '1' = Bit is set | '0' = Bit is cleared               | x = Bit is unknown |

# PIC16F87X

## REGISTER 10-2: RCSTA: RECEIVE STATUS AND CONTROL REGISTER (ADDRESS 18h)

| R/W-0 | R/W-0 | R/W-0 | R/W-0 | R/W-0 | R-0  | R-0  | R-x   |
|-------|-------|-------|-------|-------|------|------|-------|
| SPEN  | RX9   | SREN  | CREN  | ADDEN | FERR | OERR | RX9D  |
|       |       |       |       |       |      |      | bit 7 |
|       |       |       |       |       |      |      | bit 0 |

- bit 7 **SPEN:** Serial Port Enable bit  
 1 = Serial port enabled (configures RC7/RX/DT and RC6/TX/CK pins as serial port pins)  
 0 = Serial port disabled
- bit 6 **RX9:** 9-bit Receive Enable bit  
 1 = Selects 9-bit reception  
 0 = Selects 8-bit reception
- bit 5 **SREN:** Single Receive Enable bit  
Asynchronous mode:  
 Don't care  
Synchronous mode - master:  
 1 = Enables single receive  
 0 = Disables single receive  
 This bit is cleared after reception is complete.  
Synchronous mode - slave:  
 Don't care
- bit 4 **CREN:** Continuous Receive Enable bit  
Asynchronous mode:  
 1 = Enables continuous receive  
 0 = Disables continuous receive  
Synchronous mode:  
 1 = Enables continuous receive until enable bit CREN is cleared (CREN overrides SREN)  
 0 = Disables continuous receive
- bit 3 **ADDEN:** Address Detect Enable bit  
Asynchronous mode 9-bit (RX9 = 1):  
 1 = Enables address detection, enables interrupt and load of the receive buffer when RSR<8> is set  
 0 = Disables address detection, all bytes are received, and ninth bit can be used as parity bit
- bit 2 **FERR:** Framing Error bit  
 1 = Framing error (can be updated by reading RCREG register and receive next valid byte)  
 0 = No framing error
- bit 1 **OERR:** Overrun Error bit  
 1 = Overrun error (can be cleared by clearing bit CREN)  
 0 = No overrun error
- bit 0 **RX9D:** 9th bit of Received Data (can be parity bit, but must be calculated by user firmware)

|                    |                  |                                    |                    |
|--------------------|------------------|------------------------------------|--------------------|
| Legend:            |                  |                                    |                    |
| R = Readable bit   | W = Writable bit | U = Unimplemented bit, read as '0' |                    |
| - n = Value at POR | '1' = Bit is set | '0' = Bit is cleared               | x = Bit is unknown |



## 10.1 USART Baud Rate Generator (BRG)

The BRG supports both the Asynchronous and Synchronous modes of the USART. It is a dedicated 8-bit baud rate generator. The SPBRG register controls the period of a free running 8-bit timer. In Asynchronous mode, bit BRGH (TXSTA<2>) also controls the baud rate. In Synchronous mode, bit BRGH is ignored. Table 10-1 shows the formula for computation of the baud rate for different USART modes which only apply in Master mode (internal clock).

Given the desired baud rate and FOSC, the nearest integer value for the SPBRG register can be calculated using the formula in Table 10-1. From this, the error in baud rate can be determined.

It may be advantageous to use the high baud rate (BRGH = 1), even for slower baud clocks. This is because the  $FOSC/(16(X + 1))$  equation can reduce the baud rate error in some cases.

Writing a new value to the SPBRG register causes the BRG timer to be reset (or cleared). This ensures the BRG does not wait for a timer overflow before outputting the new baud rate.

### 10.1.1 SAMPLING

The data on the RC7/RX/DT pin is sampled three times by a majority detect circuit to determine if a high or a low level is present at the RX pin.

**TABLE 10-1: BAUD RATE FORMULA**

| SYNC | BRGH = 0 (Low Speed)                        | BRGH = 1 (High Speed)        |
|------|---|------------------------------|
| 0    | (Asynchronous) Baud Rate = $FOSC/(64(X+1))$ | Baud Rate = $FOSC/(16(X+1))$ |
| 1    | (Synchronous) Baud Rate = $FOSC/(4(X+1))$   | N/A                          |

X = value in SPBRG (0 to 255)

**TABLE 10-2: REGISTERS ASSOCIATED WITH BAUD RATE GENERATOR**

| Address | Name  | Bit 7                        | Bit 6 | Bit 5 | Bit 4 | Bit 3 | Bit 2 | Bit 1 | Bit 0 | Value on: POR, BOR | Value on all other RESETS |
|---------|-------|------------------------------|-------|-------|-------|-------|-------|-------|-------|--------------------|---------------------------|
| 98h     | TXSTA | CSRC                         | TX9   | TXEN  | SYNC  | —     | BRGH  | TRMT  | TX9D  | 0000 -010          | 0000 -010                 |
| 18h     | RCSTA | SPEN                         | RX9   | SREN  | CREN  | ADDEN | FERR  | OERR  | RX9D  | 0000 000x          | 0000 000x                 |
| 99h     | SPBRG | Baud Rate Generator Register |       |       |       |       |       |       |       | 0000 0000          | 0000 0000                 |

Legend: x = unknown, - = unimplemented, read as '0'. Shaded cells are not used by the BRG.

# PIC16F87X

**TABLE 10-3: BAUD RATES FOR ASYNCHRONOUS MODE (BRGH = 0)**

| BAUD RATE (K) | Fosc = 20 MHz |         |                       | Fosc = 16 MHz |         |                       | Fosc = 10 MHz |         |                       |
|---------------|---------------|---------|-----------------------|---------------|---------|-----------------------|---------------|---------|-----------------------|
|               | KBAUD         | % ERROR | SPBRG value (decimal) | KBAUD         | % ERROR | SPBRG value (decimal) | KBAUD         | % ERROR | SPBRG value (decimal) |
| 0.3           | -             | -       | -                     | -             | -       | -                     | -             | -       | -                     |
| 1.2           | 1.221         | 1.75    | 255                   | 1.202         | 0.17    | 207                   | 1.202         | 0.17    | 129                   |
| 2.4           | 2.404         | 0.17    | 129                   | 2.404         | 0.17    | 103                   | 2.404         | 0.17    | 64                    |
| 9.6           | 9.766         | 1.73    | 31                    | 9.615         | 0.16    | 25                    | 9.766         | 1.73    | 15                    |
| 19.2          | 19.531        | 1.72    | 15                    | 19.231        | 0.16    | 12                    | 19.531        | 1.72    | 7                     |
| 28.8          | 31.250        | 8.51    | 9                     | 27.778        | 3.55    | 8                     | 31.250        | 8.51    | 4                     |
| 33.6          | 34.722        | 3.34    | 8                     | 35.714        | 6.29    | 6                     | 31.250        | 6.99    | 4                     |
| 57.6          | 62.500        | 8.51    | 4                     | 62.500        | 8.51    | 3                     | 52.083        | 9.58    | 2                     |
| HIGH          | 1.221         | -       | 255                   | 0.977         | -       | 255                   | 0.610         | -       | 255                   |
| LOW           | 312.500       | -       | 0                     | 250.000       | -       | 0                     | 156.250       | -       | 0                     |

| BAUD RATE (K) | Fosc = 4 MHz |         |                       | Fosc = 3.6864 MHz |         |                       |
|---------------|--------------|---------|-----------------------|-------------------|---------|-----------------------|
|               | KBAUD        | % ERROR | SPBRG value (decimal) | KBAUD             | % ERROR | SPBRG value (decimal) |
| 0.3           | 0.300        | 0       | 207                   | 0.3               | 0       | 191                   |
| 1.2           | 1.202        | 0.17    | 51                    | 1.2               | 0       | 47                    |
| 2.4           | 2.404        | 0.17    | 25                    | 2.4               | 0       | 23                    |
| 9.6           | 8.929        | 6.99    | 6                     | 9.6               | 0       | 5                     |
| 19.2          | 20.833       | 8.51    | 2                     | 19.2              | 0       | 2                     |
| 28.8          | 31.250       | 8.51    | 1                     | 28.8              | 0       | 1                     |
| 33.6          | -            | -       | -                     | -                 | -       | -                     |
| 57.6          | 62.500       | 8.51    | 0                     | 57.6              | 0       | 0                     |
| HIGH          | 0.244        | -       | 255                   | 0.225             | -       | 255                   |
| LOW           | 62.500       | -       | 0                     | 57.6              | -       | 0                     |

**TABLE 10-4: BAUD RATES FOR ASYNCHRONOUS MODE (BRGH = 1)**

| BAUD RATE (K) | Fosc = 20 MHz |         |                       | Fosc = 16 MHz |         |                       | Fosc = 10 MHz |         |                       |
|---------------|---------------|---------|-----------------------|---------------|---------|-----------------------|---------------|---------|-----------------------|
|               | KBAUD         | % ERROR | SPBRG value (decimal) | KBAUD         | % ERROR | SPBRG value (decimal) | KBAUD         | % ERROR | SPBRG value (decimal) |
| 0.3           | -             | -       | -                     | -             | -       | -                     | -             | -       | -                     |
| 1.2           | -             | -       | -                     | -             | -       | -                     | -             | -       | -                     |
| 2.4           | -             | -       | -                     | -             | -       | -                     | 2.441         | 1.71    | 255                   |
| 9.6           | 9.615         | 0.16    | 129                   | 9.615         | 0.16    | 103                   | 9.615         | 0.16    | 64                    |
| 19.2          | 19.231        | 0.16    | 64                    | 19.231        | 0.16    | 51                    | 19.531        | 1.72    | 31                    |
| 28.8          | 29.070        | 0.94    | 42                    | 29.412        | 2.13    | 33                    | 28.409        | 1.36    | 21                    |
| 33.6          | 33.784        | 0.55    | 36                    | 33.333        | 0.79    | 29                    | 32.895        | 2.10    | 18                    |
| 57.6          | 59.524        | 3.34    | 20                    | 58.824        | 2.13    | 16                    | 56.818        | 1.36    | 10                    |
| HIGH          | 4.883         | -       | 255                   | 3.906         | -       | 255                   | 2.441         | -       | 255                   |
| LOW           | 1250.000      | -       | 0                     | 1000.000      | -       | 0                     | 625.000       | -       | 0                     |

| BAUD RATE (K) | Fosc = 4 MHz |         |                       | Fosc = 3.6864 MHz |         |                       |
|---------------|--------------|---------|-----------------------|-------------------|---------|-----------------------|
|               | KBAUD        | % ERROR | SPBRG value (decimal) | KBAUD             | % ERROR | SPBRG value (decimal) |
| 0.3           | -            | -       | -                     | -                 | -       | -                     |
| 1.2           | 1.202        | 0.17    | 207                   | 1.2               | 0       | 191                   |
| 2.4           | 2.404        | 0.17    | 103                   | 2.4               | 0       | 95                    |
| 9.6           | 9.615        | 0.16    | 25                    | 9.6               | 0       | 23                    |
| 19.2          | 19.231       | 0.16    | 12                    | 19.2              | 0       | 11                    |
| 28.8          | 27.798       | 3.55    | 8                     | 28.8              | 0       | 7                     |
| 33.6          | 35.714       | 6.29    | 6                     | 32.9              | 2.04    | 6                     |
| 57.6          | 62.500       | 8.51    | 3                     | 57.6              | 0       | 3                     |
| HIGH          | 0.977        | -       | 255                   | 0.9               | -       | 255                   |
| LOW           | 250.000      | -       | 0                     | 230.4             | -       | 0                     |

## 10.2 USART Asynchronous Mode

In this mode, the USART uses standard non-return-to-zero (NRZ) format (one START bit, eight or nine data bits, and one STOP bit). The most common data format is 8-bits. An on-chip, dedicated, 8-bit baud rate generator can be used to derive standard baud rate frequencies from the oscillator. The USART transmits and receives the LSb first. The transmitter and receiver are functionally independent, but use the same data format and baud rate. The baud rate generator produces a clock, either x16 or x64 of the bit shift rate, depending on bit BRGH (TXSTA<2>). Parity is not supported by the hardware, but can be implemented in software (and stored as the ninth data bit). Asynchronous mode is stopped during SLEEP.

Asynchronous mode is selected by clearing bit SYNC (TXSTA<4>).

The USART Asynchronous module consists of the following important elements:

- Baud Rate Generator
- Sampling Circuit
- Asynchronous Transmitter
- Asynchronous Receiver

### 10.2.1 USART ASYNCHRONOUS TRANSMITTER

The USART transmitter block diagram is shown in Figure 10-1. The heart of the transmitter is the transmit (serial) shift register (TSR). The shift register obtains its data from the read/write transmit buffer, TXREG. The TXREG register is loaded with data in software. The TSR register is not loaded until the STOP bit has been transmitted from the previous load. As soon as the STOP bit is transmitted, the TSR is loaded with new data from the TXREG register (if available). Once the TXREG register transfers the data to the TSR register (occurs in one T<sub>cy</sub>), the TXREG register is empty and flag bit TXIF (PIR1<4>) is set. This interrupt can be

enabled/disabled by setting/clearing enable bit TXIE (PIE1<4>). Flag bit TXIF will be set, regardless of the state of enable bit TXIE and cannot be cleared in software. It will reset only when new data is loaded into the TXREG register. While flag bit TXIF indicates the status of the TXREG register, another bit TRMT (TXSTA<1>) shows the status of the TSR register. Status bit TRMT is a read only bit, which is set when the TSR register is empty. No interrupt logic is tied to this bit, so the user has to poll this bit in order to determine if the TSR register is empty.

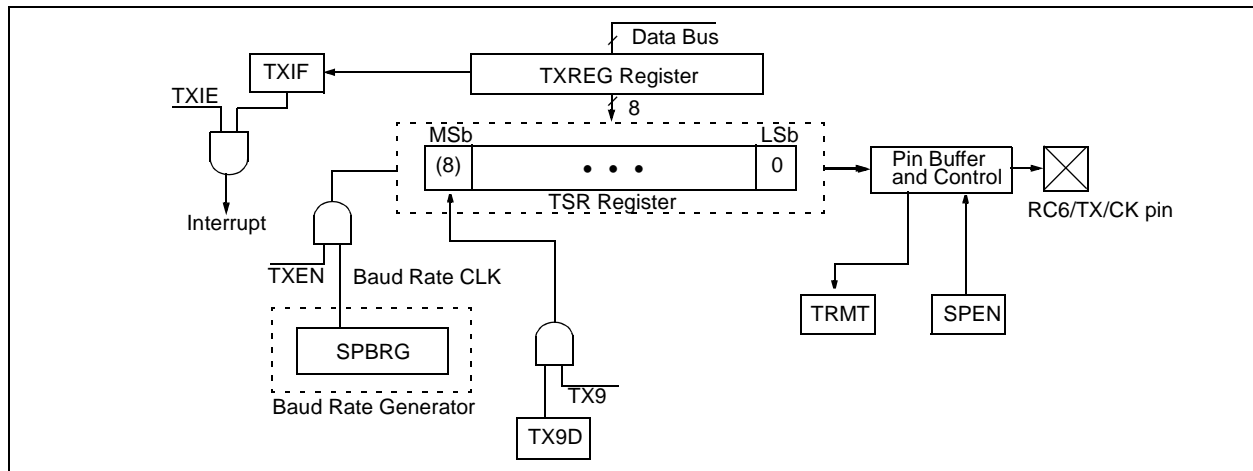
**Note 1:** The TSR register is not mapped in data memory, so it is not available to the user.

**2:** Flag bit TXIF is set when enable bit TXEN is set. TXIF is cleared by loading TXREG.

Transmission is enabled by setting enable bit TXEN (TXSTA<5>). The actual transmission will not occur until the TXREG register has been loaded with data and the baud rate generator (BRG) has produced a shift clock (Figure 10-2). The transmission can also be started by first loading the TXREG register and then setting enable bit TXEN. Normally, when transmission is first started, the TSR register is empty. At that point, transfer to the TXREG register will result in an immediate transfer to TSR, resulting in an empty TXREG. A back-to-back transfer is thus possible (Figure 10-3). Clearing enable bit TXEN during a transmission will cause the transmission to be aborted and will reset the transmitter. As a result, the RC6/TX/CK pin will revert to hi-impedance.

In order to select 9-bit transmission, transmit bit TX9 (TXSTA<6>) should be set and the ninth bit should be written to TX9D (TXSTA<0>). The ninth bit must be written before writing the 8-bit data to the TXREG register. This is because a data write to the TXREG register can result in an immediate transfer of the data to the TSR register (if the TSR is empty). In such a case, an incorrect ninth data bit may be loaded in the TSR register.

**FIGURE 10-1: USART TRANSMIT BLOCK DIAGRAM**

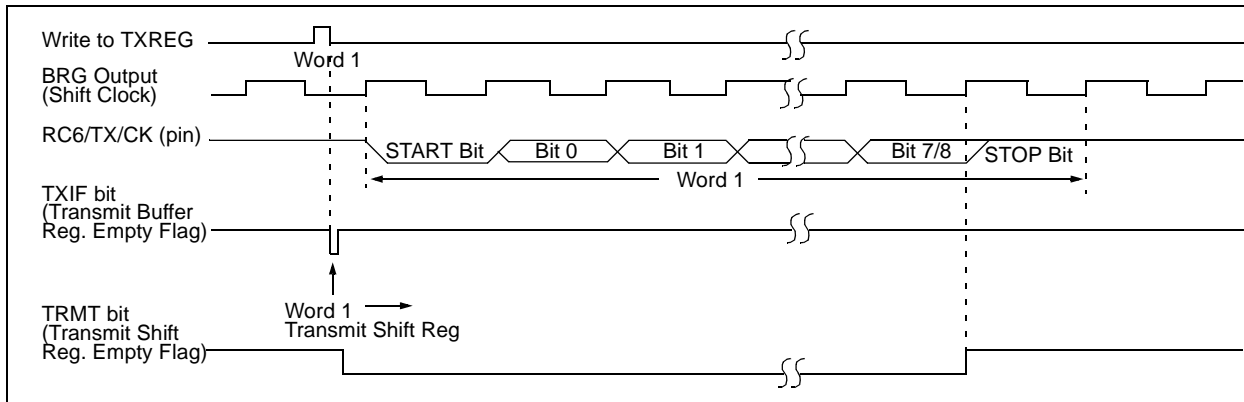


# PIC16F87X

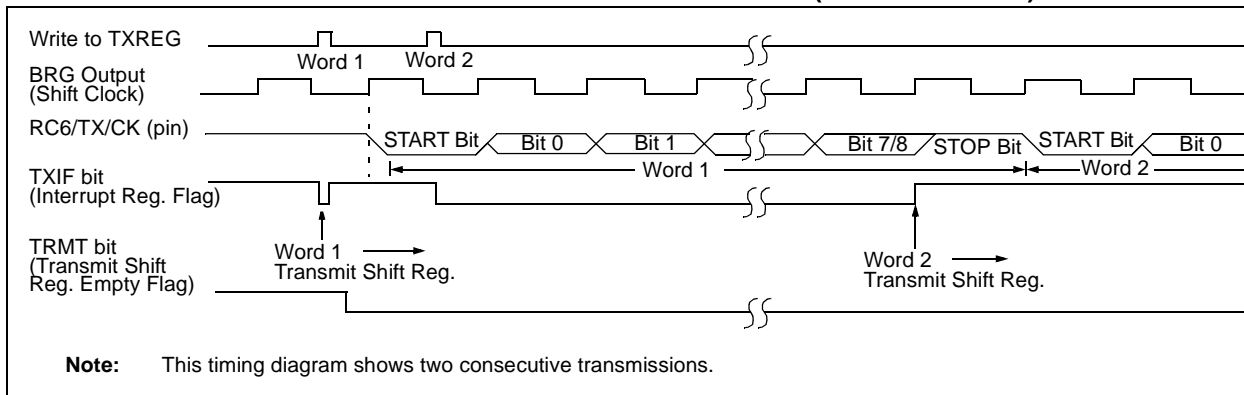
When setting up an Asynchronous Transmission, follow these steps:

1. Initialize the SPBRG register for the appropriate baud rate. If a high speed baud rate is desired, set bit BRGH (Section 10.1).
2. Enable the asynchronous serial port by clearing bit SYNC and setting bit SPEN.
3. If interrupts are desired, then set enable bit TXIE.
4. If 9-bit transmission is desired, then set transmit bit TX9.
5. Enable the transmission by setting bit TXEN, which will also set bit TXIF.
6. If 9-bit transmission is selected, the ninth bit should be loaded in bit TX9D.
7. Load data to the TXREG register (starts transmission).
8. If using interrupts, ensure that GIE and PEIE (bits 7 and 6) of the INTCON register are set.

**FIGURE 10-2: ASYNCHRONOUS MASTER TRANSMISSION**



**FIGURE 10-3: ASYNCHRONOUS MASTER TRANSMISSION (BACK TO BACK)**



**TABLE 10-5: REGISTERS ASSOCIATED WITH ASYNCHRONOUS TRANSMISSION**

| Address              | Name   | Bit 7                        | Bit 6 | Bit 5 | Bit 4 | Bit 3 | Bit 2  | Bit 1  | Bit 0  | Value on: POR, BOR | Value on all other RESETS |
|----------------------|--------|------------------------------|-------|-------|-------|-------|--------|--------|--------|--------------------|---------------------------|
| 0Bh, 8Bh, 10Bh, 18Bh | INTCON | GIE                          | PEIE  | T0IE  | INTE  | RBIE  | T0IF   | INTF   | R0IF   | 0000 000x          | 0000 000u                 |
| 0Ch                  | PIR1   | PSPIF <sup>(1)</sup>         | ADIF  | RCIF  | TXIF  | SSPIF | CCP1IF | TMR2IF | TMR1IF | 0000 0000          | 0000 0000                 |
| 18h                  | RCSTA  | SPEN                         | RX9   | SREN  | CREN  | —     | FERR   | OERR   | RX9D   | 0000 -00x          | 0000 -00x                 |
| 19h                  | TXREG  | USART Transmit Register      |       |       |       |       |        |        |        | 0000 0000          | 0000 0000                 |
| 8Ch                  | PIE1   | PSPIE <sup>(1)</sup>         | ADIE  | RCIE  | TXIE  | SSPIE | CCP1IE | TMR2IE | TMR1IE | 0000 0000          | 0000 0000                 |
| 98h                  | TXSTA  | CSRC                         | TX9   | TXEN  | SYNC  | —     | BRGH   | TRMT   | TX9D   | 0000 -010          | 0000 -010                 |
| 99h                  | SPBRG  | Baud Rate Generator Register |       |       |       |       |        |        |        | 0000 0000          | 0000 0000                 |

Legend: x = unknown, - = unimplemented locations read as '0'. Shaded cells are not used for asynchronous transmission.

**Note 1:** Bits PSPIE and PSPIF are reserved on the PIC16F873/876; always maintain these bits clear.

## 10.2.2 USART ASYNCHRONOUS RECEIVER

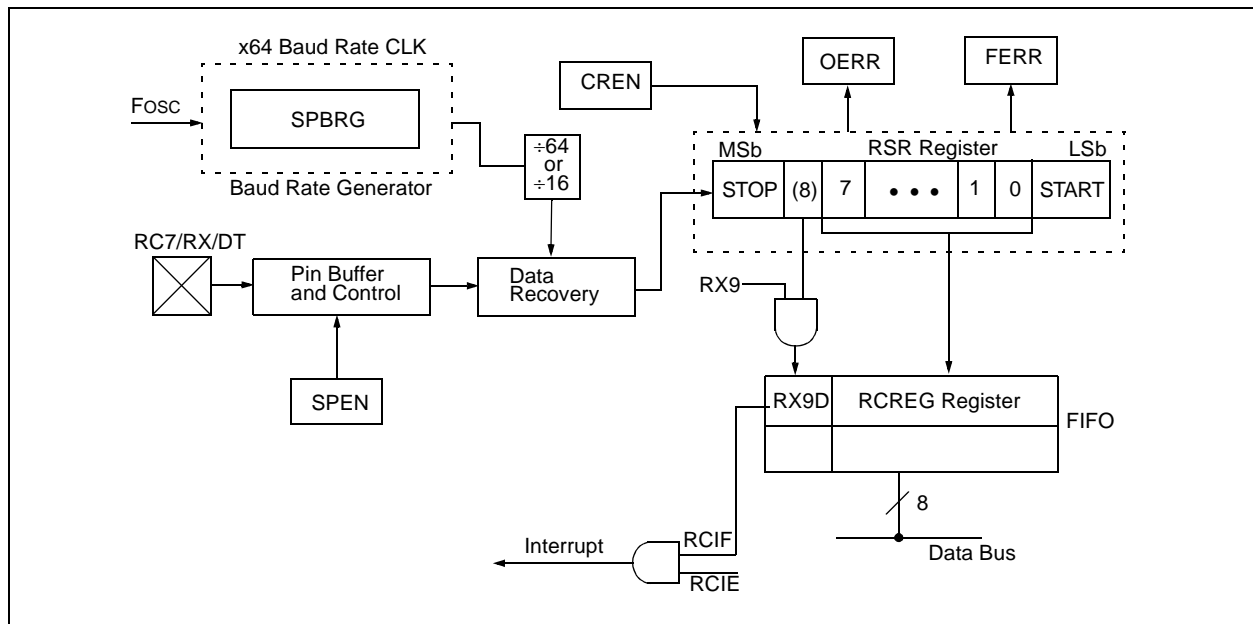
The receiver block diagram is shown in Figure 10-4. The data is received on the RC7/RX/DT pin and drives the data recovery block. The data recovery block is actually a high speed shifter, operating at x16 times the baud rate; whereas, the main receive serial shifter operates at the bit rate or at FOSC.

Once Asynchronous mode is selected, reception is enabled by setting bit CREN (RCSTA<4>).

The heart of the receiver is the receive (serial) shift register (RSR). After sampling the STOP bit, the received data in the RSR is transferred to the RCREG register (if it is empty). If the transfer is complete, flag bit RCIF (PIR1<5>) is set. The actual interrupt can be enabled/disabled by setting/clearing enable bit RCIE (PIE1<5>). Flag bit RCIF is a read only bit, which is cleared by the hardware. It is cleared when the RCREG register has been read and is empty. The RCREG is a double buffered register (i.e., it is a two deep FIFO). It

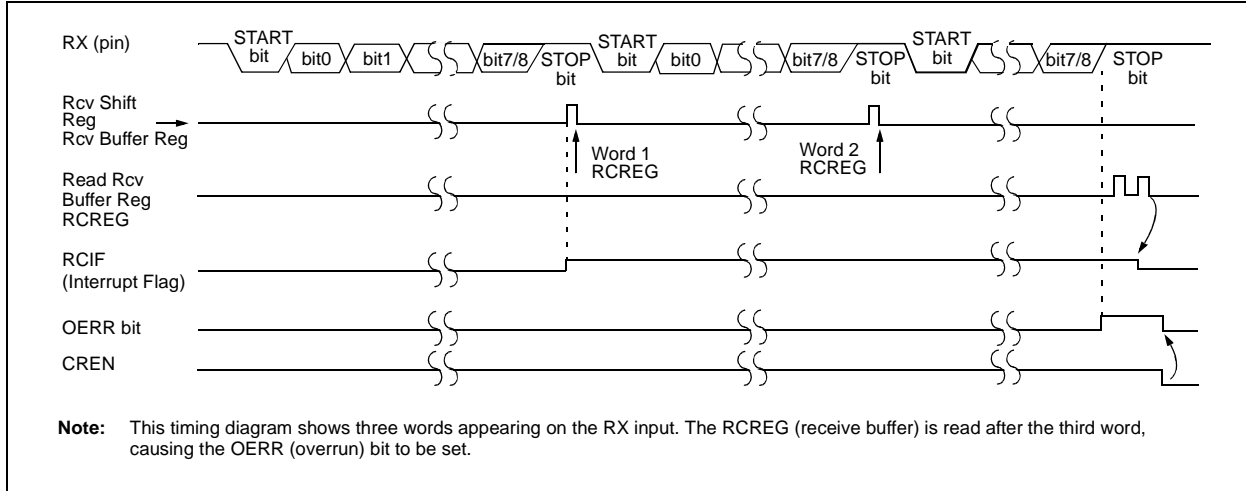
is possible for two bytes of data to be received and transferred to the RCREG FIFO and a third byte to begin shifting to the RSR register. On the detection of the STOP bit of the third byte, if the RCREG register is still full, the overrun error bit OERR (RCSTA<1>) will be set. The word in the RSR will be lost. The RCREG register can be read twice to retrieve the two bytes in the FIFO. Overrun bit OERR has to be cleared in software. This is done by resetting the receive logic (CREN is cleared and then set). If bit OERR is set, transfers from the RSR register to the RCREG register are inhibited, and no further data will be received. It is therefore, essential to clear error bit OERR if it is set. Framing error bit FERR (RCSTA<2>) is set if a STOP bit is detected as clear. Bit FERR and the 9th receive bit are buffered the same way as the receive data. Reading the RCREG will load bits RX9D and FERR with new values, therefore, it is essential for the user to read the RCSTA register before reading the RCREG register in order not to lose the old FERR and RX9D information.

**FIGURE 10-4: USART RECEIVE BLOCK DIAGRAM**



# PIC16F87X

**FIGURE 10-5: ASYNCHRONOUS RECEPTION**



When setting up an Asynchronous Reception, follow these steps:

1. Initialize the SPBRG register for the appropriate baud rate. If a high speed baud rate is desired, set bit BRGH (Section 10.1).
2. Enable the asynchronous serial port by clearing bit SYNC and setting bit SPEN.
3. If interrupts are desired, then set enable bit RCIE.
4. If 9-bit reception is desired, then set bit RX9.
5. Enable the reception by setting bit CREN.
6. Flag bit RCIF will be set when reception is complete and an interrupt will be generated if enable bit RCIE is set.
7. Read the RCSTA register to get the ninth bit (if enabled) and determine if any error occurred during reception.
8. Read the 8-bit received data by reading the RCREG register.
9. If any error occurred, clear the error by clearing enable bit CREN.
10. If using interrupts, ensure that GIE and PEIE (bits 7 and 6) of the INTCON register are set.

**TABLE 10-6: REGISTERS ASSOCIATED WITH ASYNCHRONOUS RECEPTION**

| Address              | Name   | Bit 7                        | Bit 6 | Bit 5 | Bit 4 | Bit 3 | Bit 2  | Bit 1  | Bit 0  | Value on: POR, BOR | Value on all other RESETS |
|----------------------|--------|------------------------------|-------|-------|-------|-------|--------|--------|--------|--------------------|---------------------------|
| 0Bh, 8Bh, 10Bh, 18Bh | INTCON | GIE                          | PEIE  | T0IE  | INTE  | RBIE  | T0IF   | INTF   | R0IF   | 0000 000x          | 0000 000u                 |
| 0Ch                  | PIR1   | PSPIF <sup>(1)</sup>         | ADIF  | RCIF  | TXIF  | SSPIF | CCP1IF | TMR2IF | TMR1IF | 0000 0000          | 0000 0000                 |
| 18h                  | RCSTA  | SPEN                         | RX9   | SREN  | CREN  | —     | FERR   | OERR   | RX9D   | 0000 -00x          | 0000 -00x                 |
| 1Ah                  | RCREG  | USART Receive Register       |       |       |       |       |        |        |        | 0000 0000          | 0000 0000                 |
| 8Ch                  | PIE1   | PSPIE <sup>(1)</sup>         | ADIE  | RCIE  | TXIE  | SSPIE | CCP1IE | TMR2IE | TMR1IE | 0000 0000          | 0000 0000                 |
| 98h                  | TXSTA  | CSRC                         | TX9   | TXEN  | SYNC  | —     | BRGH   | TRMT   | TX9D   | 0000 -010          | 0000 -010                 |
| 99h                  | SPBRG  | Baud Rate Generator Register |       |       |       |       |        |        |        | 0000 0000          | 0000 0000                 |

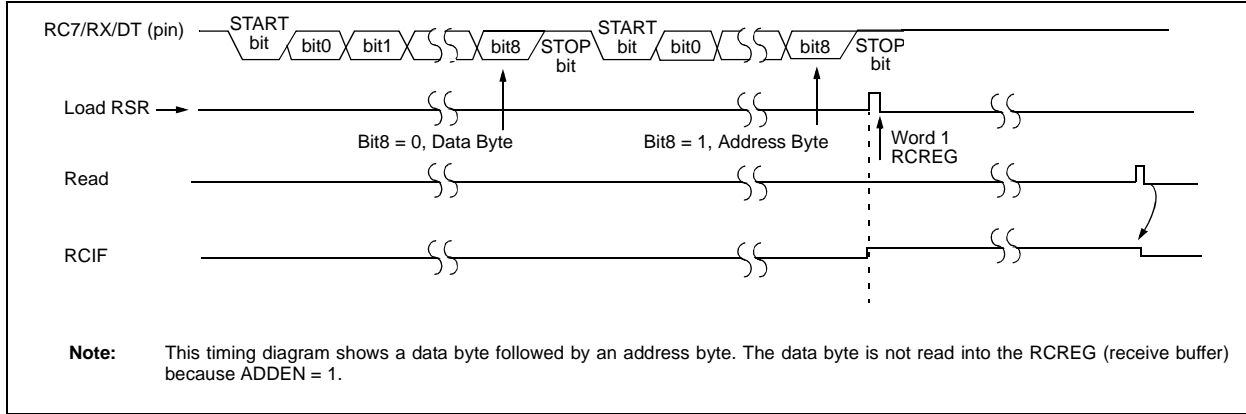
Legend: x = unknown, - = unimplemented locations read as '0'. Shaded cells are not used for asynchronous reception.

**Note 1:** Bits PSPIE and PSPIF are reserved on PIC16F873/876 devices; always maintain these bits clear.

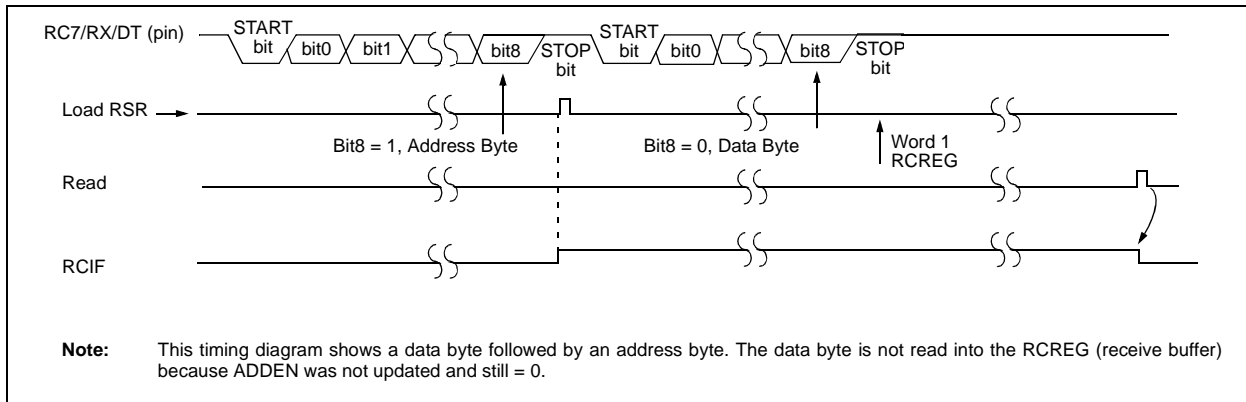


# PIC16F87X

**FIGURE 10-7: ASYNCHRONOUS RECEPTION WITH ADDRESS DETECT**



**FIGURE 10-8: ASYNCHRONOUS RECEPTION WITH ADDRESS BYTE FIRST**



**TABLE 10-7: REGISTERS ASSOCIATED WITH ASYNCHRONOUS RECEPTION**

| Address                 | Name   | Bit 7                        | Bit 6 | Bit 5 | Bit 4 | Bit 3 | Bit 2  | Bit 1  | Bit 0  | Value on:<br>POR,<br>BOR | Value on<br>all other<br>RESETS |
|-------------------------|--------|------------------------------|-------|-------|-------|-------|--------|--------|--------|--------------------------|---------------------------------|
| 0Bh, 8Bh,<br>10Bh, 18Bh | INTCON | GIE                          | PEIE  | TOIE  | INTE  | RBIE  | TOIF   | INTF   | ROIF   | 0000 000x                | 0000 000u                       |
| 0Ch                     | PIR1   | PSPIF <sup>(1)</sup>         | ADIF  | RCIF  | TXIF  | SSPIF | CCP1IF | TMR2IF | TMR1IF | 0000 0000                | 0000 0000                       |
| 18h                     | RCSTA  | SPEN                         | RX9   | SREN  | CREN  | ADDEN | FERR   | OERR   | RX9D   | 0000 000x                | 0000 000x                       |
| 1Ah                     | RCREG  | USART Receive Register       |       |       |       |       |        |        |        | 0000 0000                | 0000 0000                       |
| 8Ch                     | PIE1   | PSPIE <sup>(1)</sup>         | ADIE  | RCIE  | TXIE  | SSPIE | CCP1IE | TMR2IE | TMR1IE | 0000 0000                | 0000 0000                       |
| 98h                     | TXSTA  | CSRC                         | TX9   | TXEN  | SYNC  | —     | BRGH   | TRMT   | TX9D   | 0000 -010                | 0000 -010                       |
| 99h                     | SPBRG  | Baud Rate Generator Register |       |       |       |       |        |        |        | 0000 0000                | 0000 0000                       |

Legend: x = unknown, - = unimplemented locations read as '0'. Shaded cells are not used for asynchronous reception.

**Note 1:** Bits PSPIE and PSPIF are reserved on PIC16F873/876 devices; always maintain these bits clear.



## 10.3 USART Synchronous Master Mode

In Synchronous Master mode, the data is transmitted in a half-duplex manner (i.e., transmission and reception do not occur at the same time). When transmitting data, the reception is inhibited and vice versa. Synchronous mode is entered by setting bit SYNC (TXSTA<4>). In addition, enable bit SPEN (RCSTA<7>) is set in order to configure the RC6/TX/CK and RC7/RX/DT I/O pins to CK (clock) and DT (data) lines, respectively. The Master mode indicates that the processor transmits the master clock on the CK line. The Master mode is entered by setting bit CSRC (TXSTA<7>).

### 10.3.1 USART SYNCHRONOUS MASTER TRANSMISSION

The USART transmitter block diagram is shown in Figure 10-6. The heart of the transmitter is the transmit (serial) shift register (TSR). The shift register obtains its data from the read/write transmit buffer register TXREG. The TXREG register is loaded with data in software. The TSR register is not loaded until the last bit has been transmitted from the previous load. As soon as the last bit is transmitted, the TSR is loaded with new data from the TXREG (if available). Once the TXREG register transfers the data to the TSR register (occurs in one Tcycle), the TXREG is empty and interrupt bit TXIF (PIR1<4>) is set. The interrupt can be enabled/disabled by setting/clearing enable bit TXIE (PIE1<4>). Flag bit TXIF will be set, regardless of the state of enable bit TXIE and cannot be cleared in software. It will reset only when new data is loaded into the TXREG register. While flag bit TXIF indicates the status of the TXREG register, another bit TRMT (TXSTA<1>) shows the status of the TSR register. TRMT is a read only bit which is set when the TSR is empty. No interrupt logic is tied to this bit, so the user has to poll this bit in order to determine if the TSR register is empty. The TSR is not mapped in data memory, so it is not available to the user.

Transmission is enabled by setting enable bit TXEN (TXSTA<5>). The actual transmission will not occur until the TXREG register has been loaded with data. The first data bit will be shifted out on the next available rising edge of the clock on the CK line. Data out is stable around the falling edge of the synchronous clock (Figure 10-9). The transmission can also be started by first loading the TXREG register and then setting bit TXEN (Figure 10-10). This is advantageous when slow baud rates are selected, since the BRG is kept in RESET when bits TXEN, CREN and SREN are clear. Setting enable bit TXEN will start the BRG, creating a shift clock immediately. Normally, when transmission is first started, the TSR register is empty, so a transfer to the TXREG register will result in an immediate transfer to TSR, resulting in an empty TXREG. Back-to-back transfers are possible.

Clearing enable bit TXEN during a transmission will cause the transmission to be aborted and will reset the transmitter. The DT and CK pins will revert to hi-impedance. If either bit CREN or bit SREN is set during a transmission, the transmission is aborted and the DT pin reverts to a hi-impedance state (for a reception). The CK pin will remain an output if bit CSRC is set (internal clock). The transmitter logic, however, is not reset, although it is disconnected from the pins. In order to reset the transmitter, the user has to clear bit TXEN. If bit SREN is set (to interrupt an on-going transmission and receive a single word), then after the single word is received, bit SREN will be cleared and the serial port will revert back to transmitting, since bit TXEN is still set. The DT line will immediately switch from hi-impedance Receive mode to transmit and start driving. To avoid this, bit TXEN should be cleared.

In order to select 9-bit transmission, the TX9 (TXSTA<6>) bit should be set and the ninth bit should be written to bit TX9D (TXSTA<0>). The ninth bit must be written before writing the 8-bit data to the TXREG register. This is because a data write to the TXREG can result in an immediate transfer of the data to the TSR register (if the TSR is empty). If the TSR was empty and the TXREG was written before writing the “new” TX9D, the “present” value of bit TX9D is loaded.

Steps to follow when setting up a Synchronous Master Transmission:

1. Initialize the SPBRG register for the appropriate baud rate (Section 10.1).
2. Enable the synchronous master serial port by setting bits SYNC, SPEN and CSRC.
3. If interrupts are desired, set enable bit TXIE.
4. If 9-bit transmission is desired, set bit TX9.
5. Enable the transmission by setting bit TXEN.
6. If 9-bit transmission is selected, the ninth bit should be loaded in bit TX9D.
7. Start transmission by loading data to the TXREG register.
8. If using interrupts, ensure that GIE and PEIE (bits 7 and 6) of the INTCON register are set.

# PIC16F87X

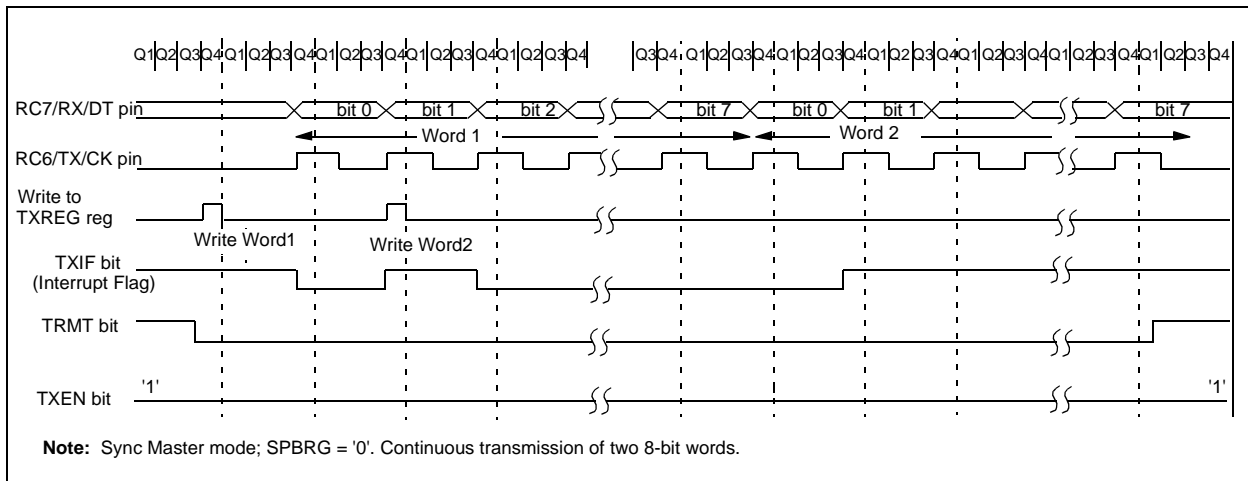
**TABLE 10-8: REGISTERS ASSOCIATED WITH SYNCHRONOUS MASTER TRANSMISSION**

| Address              | Name   | Bit 7                        | Bit 6 | Bit 5 | Bit 4 | Bit 3 | Bit 2  | Bit 1  | Bit 0  | Value on: POR, BOR | Value on all other RESETS |
|----------------------|--------|------------------------------|-------|-------|-------|-------|--------|--------|--------|--------------------|---------------------------|
| 0Bh, 8Bh, 10Bh, 18Bh | INTCON | GIE                          | PEIE  | TOIE  | INTE  | RBIE  | TOIF   | INTF   | ROIF   | 0000 000x          | 0000 000u                 |
| 0Ch                  | PIR1   | PSPIF <sup>(1)</sup>         | ADIF  | RCIF  | TXIF  | SSPIF | CCP1IF | TMR2IF | TMR1IF | 0000 0000          | 0000 0000                 |
| 18h                  | RCSTA  | SPEN                         | RX9   | SREN  | CREN  | —     | FERR   | OERR   | RX9D   | 0000 -00x          | 0000 -00x                 |
| 19h                  | TXREG  | USART Transmit Register      |       |       |       |       |        |        |        | 0000 0000          | 0000 0000                 |
| 8Ch                  | PIE1   | PSPIE <sup>(1)</sup>         | ADIE  | RCIE  | TXIE  | SSPIE | CCP1IE | TMR2IE | TMR1IE | 0000 0000          | 0000 0000                 |
| 98h                  | TXSTA  | CSRC                         | TX9   | TXEN  | SYNC  | —     | BRGH   | TRMT   | TX9D   | 0000 -010          | 0000 -010                 |
| 99h                  | SPBRG  | Baud Rate Generator Register |       |       |       |       |        |        |        | 0000 0000          | 0000 0000                 |

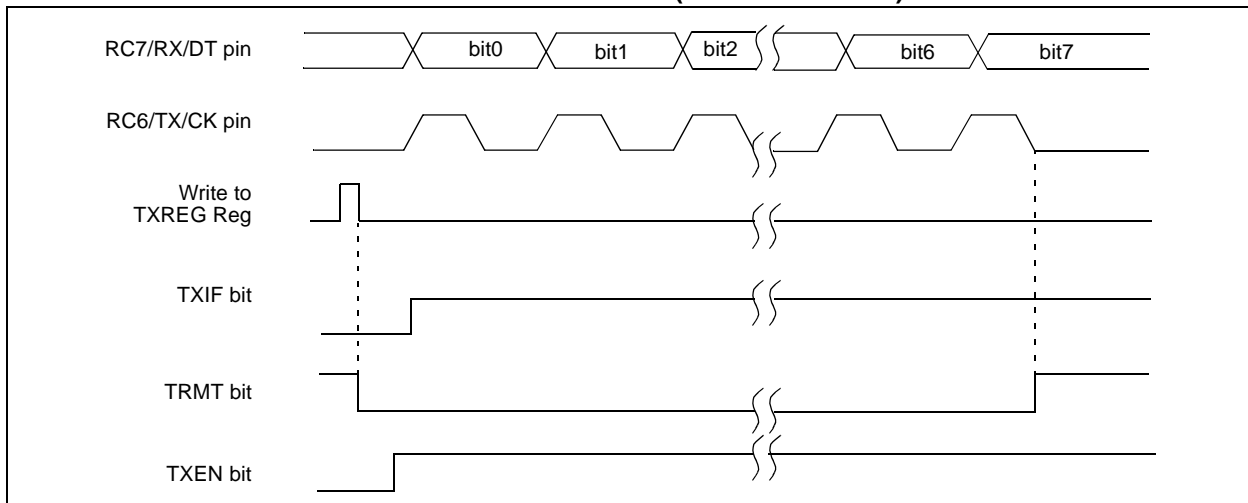
Legend: x = unknown, - = unimplemented, read as '0'. Shaded cells are not used for synchronous master transmission.

**Note 1:** Bits PSPIE and PSPIF are reserved on PIC16F873/876 devices; always maintain these bits clear.

**FIGURE 10-9: SYNCHRONOUS TRANSMISSION**



**FIGURE 10-10: SYNCHRONOUS TRANSMISSION (THROUGH TXEN)**



## 10.3.2 USART SYNCHRONOUS MASTER RECEPTION

Once synchronous mode is selected, reception is enabled by setting either enable bit SREN (RCSTA<5>), or enable bit CREN (RCSTA<4>). Data is sampled on the RC7/RX/DT pin on the falling edge of the clock. If enable bit SREN is set, then only a single word is received. If enable bit CREN is set, the reception is continuous until CREN is cleared. If both bits are set, CREN takes precedence. After clocking the last bit, the received data in the Receive Shift Register (RSR) is transferred to the RCREG register (if it is empty). When the transfer is complete, interrupt flag bit RCIF (PIR1<5>) is set. The actual interrupt can be enabled/disabled by setting/clearing enable bit RCIE (PIE1<5>). Flag bit RCIF is a read only bit, which is reset by the hardware. In this case, it is reset when the RCREG register has been read and is empty. The RCREG is a double buffered register (i.e., it is a two deep FIFO). It is possible for two bytes of data to be received and transferred to the RCREG FIFO and a third byte to begin shifting into the RSR register. On the clocking of the last bit of the third byte, if the RCREG register is still full, then overrun error bit OERR (RCSTA<1>) is set. The word in the RSR will be lost. The RCREG register can be read twice to retrieve the two bytes in the FIFO. Bit OERR has to be cleared in software (by clearing bit CREN). If bit OERR is set, transfers from the RSR to the RCREG are inhibited, so it is essential to clear bit OERR if it is set. The ninth

receive bit is buffered the same way as the receive data. Reading the RCREG register will load bit RX9D with a new value, therefore, it is essential for the user to read the RCSTA register before reading RCREG in order not to lose the old RX9D information.

When setting up a Synchronous Master Reception:

1. Initialize the SPBRG register for the appropriate baud rate (Section 10.1).
2. Enable the synchronous master serial port by setting bits SYNC, SPEN and CSRC.
3. Ensure bits CREN and SREN are clear.
4. If interrupts are desired, then set enable bit RCIE.
5. If 9-bit reception is desired, then set bit RX9.
6. If a single reception is required, set bit SREN. For continuous reception, set bit CREN.
7. Interrupt flag bit RCIF will be set when reception is complete and an interrupt will be generated if enable bit RCIE was set.
8. Read the RCSTA register to get the ninth bit (if enabled) and determine if any error occurred during reception.
9. Read the 8-bit received data by reading the RCREG register.
10. If any error occurred, clear the error by clearing bit CREN.
11. If using interrupts, ensure that GIE and PEIE (bits 7 and 6) of the INTCON register are set.

**TABLE 10-9: REGISTERS ASSOCIATED WITH SYNCHRONOUS MASTER RECEPTION**

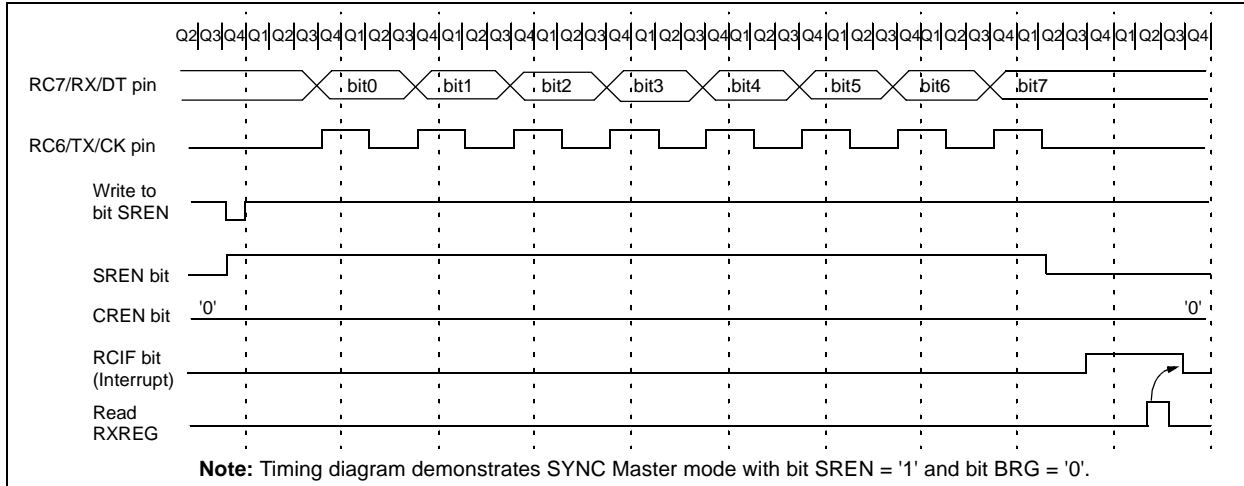
| Address              | Name   | Bit 7                        | Bit 6 | Bit 5 | Bit 4 | Bit 3 | Bit 2  | Bit 1  | Bit 0  | Value on: POR, BOR | Value on all other RESETS |
|----------------------|--------|------------------------------|-------|-------|-------|-------|--------|--------|--------|--------------------|---------------------------|
| 0Bh, 8Bh, 10Bh, 18Bh | INTCON | GIE                          | PEIE  | TOIE  | INTE  | RBIE  | TOIF   | INTF   | R0IF   | 0000 000x          | 0000 000u                 |
| 0Ch                  | PIR1   | PSPIF <sup>(1)</sup>         | ADIF  | RCIF  | TXIF  | SSPIF | CCP1IF | TMR2IF | TMR1IF | 0000 0000          | 0000 0000                 |
| 18h                  | RCSTA  | SPEN                         | RX9   | SREN  | CREN  | —     | FERR   | OERR   | RX9D   | 0000 -00x          | 0000 -00x                 |
| 1Ah                  | RCREG  | USART Receive Register       |       |       |       |       |        |        |        | 0000 0000          | 0000 0000                 |
| 8Ch                  | PIE1   | PSPIE <sup>(1)</sup>         | ADIE  | RCIE  | TXIE  | SSPIE | CCP1IE | TMR2IE | TMR1IE | 0000 0000          | 0000 0000                 |
| 98h                  | TXSTA  | CSRC                         | TX9   | TXEN  | SYNC  | —     | BRGH   | TRMT   | TX9D   | 0000 -010          | 0000 -010                 |
| 99h                  | SPBRG  | Baud Rate Generator Register |       |       |       |       |        |        |        | 0000 0000          | 0000 0000                 |

Legend: x = unknown, - = unimplemented, read as '0'. Shaded cells are not used for synchronous master reception.

**Note 1:** Bits PSPIE and PSPIF are reserved on PIC16F873/876 devices; always maintain these bits clear.

# PIC16F87X

**FIGURE 10-11: SYNCHRONOUS RECEPTION (MASTER MODE, SREN)**



## 10.4 USART Synchronous Slave Mode

Synchronous Slave mode differs from the Master mode in the fact that the shift clock is supplied externally at the RC6/TX/CK pin (instead of being supplied internally in Master mode). This allows the device to transfer or receive data while in SLEEP mode. Slave mode is entered by clearing bit CSRC (TXSTA<7>).

### 10.4.1 USART SYNCHRONOUS SLAVE TRANSMIT

The operation of the Synchronous Master and Slave modes is identical, except in the case of the SLEEP mode.

If two words are written to the TXREG and then the SLEEP instruction is executed, the following will occur:

- The first word will immediately transfer to the TSR register and transmit.
- The second word will remain in TXREG register.
- Flag bit TXIF will not be set.
- When the first word has been shifted out of TSR, the TXREG register will transfer the second word to the TSR and flag bit TXIF will now be set.

- If enable bit TXIE is set, the interrupt will wake the chip from SLEEP and if the global interrupt is enabled, the program will branch to the interrupt vector (0004h).

When setting up a Synchronous Slave Transmission, follow these steps:

- Enable the synchronous slave serial port by setting bits SYNC and SPEN and clearing bit CSRC.
- Clear bits CREN and SREN.
- If interrupts are desired, then set enable bit TXIE.
- If 9-bit transmission is desired, then set bit TX9.
- Enable the transmission by setting enable bit TXEN.
- If 9-bit transmission is selected, the ninth bit should be loaded in bit TX9D.
- Start transmission by loading data to the TXREG register.
- If using interrupts, ensure that GIE and PEIE (bits 7 and 6) of the INTCON register are set.

**TABLE 10-10: REGISTERS ASSOCIATED WITH SYNCHRONOUS SLAVE TRANSMISSION**

| Address              | Name   | Bit 7                        | Bit 6 | Bit 5 | Bit 4 | Bit 3 | Bit 2  | Bit 1  | Bit 0  | Value on: POR, BOR | Value on all other RESETS |
|----------------------|--------|------------------------------|-------|-------|-------|-------|--------|--------|--------|--------------------|---------------------------|
| 0Bh, 8Bh, 10Bh, 18Bh | INTCON | GIE                          | PEIE  | T0IE  | INTE  | RBIE  | T0IF   | INTF   | ROIF   | 0000 000x          | 0000 000u                 |
| 0Ch                  | PIR1   | PSPIF <sup>(1)</sup>         | ADIF  | RCIF  | TXIF  | SSPIF | CCP1IF | TMR2IF | TMR1IF | 0000 0000          | 0000 0000                 |
| 18h                  | RCSTA  | SPEN                         | RX9   | SREN  | CREN  | ADDEN | FERR   | OERR   | RX9D   | 0000 000x          | 0000 000x                 |
| 19h                  | TXREG  | USART Transmit Register      |       |       |       |       |        |        |        | 0000 0000          | 0000 0000                 |
| 8Ch                  | PIE1   | PSPIE <sup>(1)</sup>         | ADIE  | RCIE  | TXIE  | SSPIE | CCP1IE | TMR2IE | TMR1IE | 0000 0000          | 0000 0000                 |
| 98h                  | TXSTA  | CSRC                         | TX9   | TXEN  | SYNC  | —     | BRGH   | TRMT   | TX9D   | 0000 -010          | 0000 -010                 |
| 99h                  | SPBRG  | Baud Rate Generator Register |       |       |       |       |        |        |        | 0000 0000          | 0000 0000                 |

Legend: x = unknown, - = unimplemented, read as '0'. Shaded cells are not used for synchronous slave transmission.

**Note 1:** Bits PSPIE and PSPIF are reserved on PIC16F873/876 devices; always maintain these bits clear.

## 10.4.2 USART SYNCHRONOUS SLAVE RECEPTION

The operation of the Synchronous Master and Slave modes is identical, except in the case of the SLEEP mode. Bit SREN is a “don't care” in Slave mode.

If receive is enabled by setting bit CREN prior to the SLEEP instruction, then a word may be received during SLEEP. On completely receiving the word, the RSR register will transfer the data to the RCREG register and if enable bit RCIE bit is set, the interrupt generated will wake the chip from SLEEP. If the global interrupt is enabled, the program will branch to the interrupt vector (0004h).

When setting up a Synchronous Slave Reception, follow these steps:

1. Enable the synchronous master serial port by setting bits SYNC and SPEN and clearing bit CSRC.

2. If interrupts are desired, set enable bit RCIE.
3. If 9-bit reception is desired, set bit RX9.
4. To enable reception, set enable bit CREN.
5. Flag bit RCIF will be set when reception is complete and an interrupt will be generated, if enable bit RCIE was set.
6. Read the RCSTA register to get the ninth bit (if enabled) and determine if any error occurred during reception.
7. Read the 8-bit received data by reading the RCREG register.
8. If any error occurred, clear the error by clearing bit CREN.
9. If using interrupts, ensure that GIE and PEIE (bits 7 and 6) of the INTCON register are set.

**TABLE 10-11: REGISTERS ASSOCIATED WITH SYNCHRONOUS SLAVE RECEPTION**

| Address              | Name   | Bit 7                        | Bit 6 | Bit 5 | Bit 4 | Bit 3 | Bit 2  | Bit 1  | Bit 0  | Value on: POR, BOR | Value on all other RESETS |
|----------------------|--------|------------------------------|-------|-------|-------|-------|--------|--------|--------|--------------------|---------------------------|
| 0Bh, 8Bh, 10Bh, 18Bh | INTCON | GIE                          | PEIE  | T0IE  | INTE  | RBIE  | T0IF   | INTF   | R0IF   | 0000 000x          | 0000 000u                 |
| 0Ch                  | PIR1   | PSPIF <sup>(1)</sup>         | ADIF  | RCIF  | TXIF  | SSPIF | CCP1IF | TMR2IF | TMR1IF | 0000 0000          | 0000 0000                 |
| 18h                  | RCSTA  | SPEN                         | RX9   | SREN  | CREN  | ADDEN | FERR   | OERR   | RX9D   | 0000 000x          | 0000 000x                 |
| 1Ah                  | RCREG  | USART Receive Register       |       |       |       |       |        |        |        | 0000 0000          | 0000 0000                 |
| 8Ch                  | PIE1   | PSPIE <sup>(1)</sup>         | ADIE  | RCIE  | TXIE  | SSPIE | CCP1IE | TMR2IE | TMR1IE | 0000 0000          | 0000 0000                 |
| 98h                  | TXSTA  | CSRC                         | TX9   | TXEN  | SYNC  | —     | BRGH   | TRMT   | TX9D   | 0000 -010          | 0000 -010                 |
| 99h                  | SPBRG  | Baud Rate Generator Register |       |       |       |       |        |        |        | 0000 0000          | 0000 0000                 |

Legend: x = unknown, - = unimplemented, read as '0'. Shaded cells are not used for synchronous slave reception.

**Note 1:** Bits PSPIE and PSPIF are reserved on PIC16F873/876 devices, always maintain these bits clear.

# PIC16F87X

---

NOTES:

## 11.0 ANALOG-TO-DIGITAL CONVERTER (A/D) MODULE

The Analog-to-Digital (A/D) Converter module has five inputs for the 28-pin devices and eight for the other devices.

The analog input charges a sample and hold capacitor. The output of the sample and hold capacitor is the input into the converter. The converter then generates a digital result of this analog level via successive approximation. The A/D conversion of the analog input signal results in a corresponding 10-bit digital number. The A/D module has high and low voltage reference input that is software selectable to some combination of V<sub>DD</sub>, V<sub>SS</sub>, RA2, or RA3.

The A/D converter has a unique feature of being able to operate while the device is in SLEEP mode. To operate in SLEEP, the A/D clock must be derived from the A/D's internal RC oscillator.

The A/D module has four registers. These registers are:

- A/D Result High Register (ADRESH)
- A/D Result Low Register (ADRESL)
- A/D Control Register0 (ADCON0)
- A/D Control Register1 (ADCON1)

The ADCON0 register, shown in Register 11-1, controls the operation of the A/D module. The ADCON1 register, shown in Register 11-2, configures the functions of the port pins. The port pins can be configured as analog inputs (RA3 can also be the voltage reference), or as digital I/O.

Additional information on using the A/D module can be found in the PIC<sup>®</sup> MCU Mid-Range Family Reference Manual (DS33023).

**REGISTER 11-1: ADCON0 REGISTER (ADDRESS: 1Fh)**

|       |       |       |       |       |         |       |       |
|-------|-------|-------|-------|-------|---------|-------|-------|
| R/W-0 | R/W-0 | R/W-0 | R/W-0 | R/W-0 | R/W-0   | U-0   | R/W-0 |
| ADCS1 | ADCS0 | CHS2  | CHS1  | CHS0  | GO/DONE | —     | ADON  |
|       |       |       |       |       |         | bit 7 | bit 0 |

- bit 7-6 **ADCS1:ADCS0:** A/D Conversion Clock Select bits  
 00 = Fosc/2  
 01 = Fosc/8  
 10 = Fosc/32  
 11 = FRC (clock derived from the internal A/D module RC oscillator)
- bit 5-3 **CHS2:CHS0:** Analog Channel Select bits  
 000 = channel 0, (RA0/AN0)  
 001 = channel 1, (RA1/AN1)  
 010 = channel 2, (RA2/AN2)  
 011 = channel 3, (RA3/AN3)  
 100 = channel 4, (RA5/AN4)  
 101 = channel 5, (RE0/AN5)<sup>(1)</sup>  
 110 = channel 6, (RE1/AN6)<sup>(1)</sup>  
 111 = channel 7, (RE2/AN7)<sup>(1)</sup>
- bit 2 **GO/DONE:** A/D Conversion Status bit  
**If ADON = 1:**  
 1 = A/D conversion in progress (setting this bit starts the A/D conversion)  
 0 = A/D conversion not in progress (this bit is automatically cleared by hardware when the A/D conversion is complete)
- bit 1 **Unimplemented:** Read as '0'
- bit 0 **ADON:** A/D On bit  
 1 = A/D converter module is operating  
 0 = A/D converter module is shut-off and consumes no operating current

**Note 1:** These channels are not available on PIC16F873/876 devices.

|                    |                  |                                    |                    |
|--------------------|------------------|------------------------------------|--------------------|
| Legend:            |                  |                                    |                    |
| R = Readable bit   | W = Writable bit | U = Unimplemented bit, read as '0' |                    |
| - n = Value at POR | '1' = Bit is set | '0' = Bit is cleared               | x = Bit is unknown |

# PIC16F87X

## REGISTER 11-2: ADCON1 REGISTER (ADDRESS 9Fh)

|      |     |       |     |       |       |       |       |
|------|-----|-------|-----|-------|-------|-------|-------|
| U-0  | U-0 | R/W-0 | U-0 | R/W-0 | R/W-0 | R/W-0 | R/W-0 |
| ADFM | —   | —     | —   | PCFG3 | PCFG2 | PCFG1 | PCFG0 |

bit 7

bit 0

bit 7 **ADFM:** A/D Result Format Select bit  
 1 = Right justified. 6 Most Significant bits of ADRESH are read as '0'.  
 0 = Left justified. 6 Least Significant bits of ADRESL are read as '0'.

bit 6-4 **Unimplemented:** Read as '0'

bit 3-0 **PCFG3:PCFG0:** A/D Port Configuration Control bits:

| PCFG3:<br>PCFG0 | AN7 <sup>(1)</sup><br>RE2 | AN6 <sup>(1)</sup><br>RE1 | AN5 <sup>(1)</sup><br>RE0 | AN4<br>RA5 | AN3<br>RA3 | AN2<br>RA2 | AN1<br>RA1 | AN0<br>RA0 | VREF+ | VREF- | CHAN/<br>Refs <sup>(2)</sup> |
|-----------------|---------------------------|---------------------------|---------------------------|------------|------------|------------|------------|------------|-------|-------|------------------------------|
| 0000            | A                         | A                         | A                         | A          | A          | A          | A          | A          | VDD   | VSS   | 8/0                          |
| 0001            | A                         | A                         | A                         | A          | VREF+      | A          | A          | A          | RA3   | VSS   | 7/1                          |
| 0010            | D                         | D                         | D                         | A          | A          | A          | A          | A          | VDD   | VSS   | 5/0                          |
| 0011            | D                         | D                         | D                         | A          | VREF+      | A          | A          | A          | RA3   | VSS   | 4/1                          |
| 0100            | D                         | D                         | D                         | D          | A          | D          | A          | A          | VDD   | VSS   | 3/0                          |
| 0101            | D                         | D                         | D                         | D          | VREF+      | D          | A          | A          | RA3   | VSS   | 2/1                          |
| 011x            | D                         | D                         | D                         | D          | D          | D          | D          | D          | VDD   | VSS   | 0/0                          |
| 1000            | A                         | A                         | A                         | A          | VREF+      | VREF-      | A          | A          | RA3   | RA2   | 6/2                          |
| 1001            | D                         | D                         | A                         | A          | A          | A          | A          | A          | VDD   | VSS   | 6/0                          |
| 1010            | D                         | D                         | A                         | A          | VREF+      | A          | A          | A          | RA3   | VSS   | 5/1                          |
| 1011            | D                         | D                         | A                         | A          | VREF+      | VREF-      | A          | A          | RA3   | RA2   | 4/2                          |
| 1100            | D                         | D                         | D                         | A          | VREF+      | VREF-      | A          | A          | RA3   | RA2   | 3/2                          |
| 1101            | D                         | D                         | D                         | D          | VREF+      | VREF-      | A          | A          | RA3   | RA2   | 2/2                          |
| 1110            | D                         | D                         | D                         | D          | D          | D          | D          | A          | VDD   | VSS   | 1/0                          |
| 1111            | D                         | D                         | D                         | D          | VREF+      | VREF-      | D          | A          | RA3   | RA2   | 1/2                          |

A = Analog input    D = Digital I/O

- Note 1:** These channels are not available on PIC16F873/876 devices.  
**Note 2:** This column indicates the number of analog channels available as A/D inputs and the number of analog channels used as voltage reference inputs.

|                    |                  |                                    |                    |
|--------------------|------------------|------------------------------------|--------------------|
| Legend:            |                  |                                    |                    |
| R = Readable bit   | W = Writable bit | U = Unimplemented bit, read as '0' |                    |
| - n = Value at POR | '1' = Bit is set | '0' = Bit is cleared               | x = Bit is unknown |

The ADRESH:ADRESL registers contain the 10-bit result of the A/D conversion. When the A/D conversion is complete, the result is loaded into this A/D result register pair, the GO/DONE bit (ADCON0<2>) is cleared and the A/D interrupt flag bit ADIF is set. The block diagram of the A/D module is shown in Figure 11-1.

After the A/D module has been configured as desired, the selected channel must be acquired before the conversion is started. The analog input channels must have their corresponding TRIS bits selected as inputs.

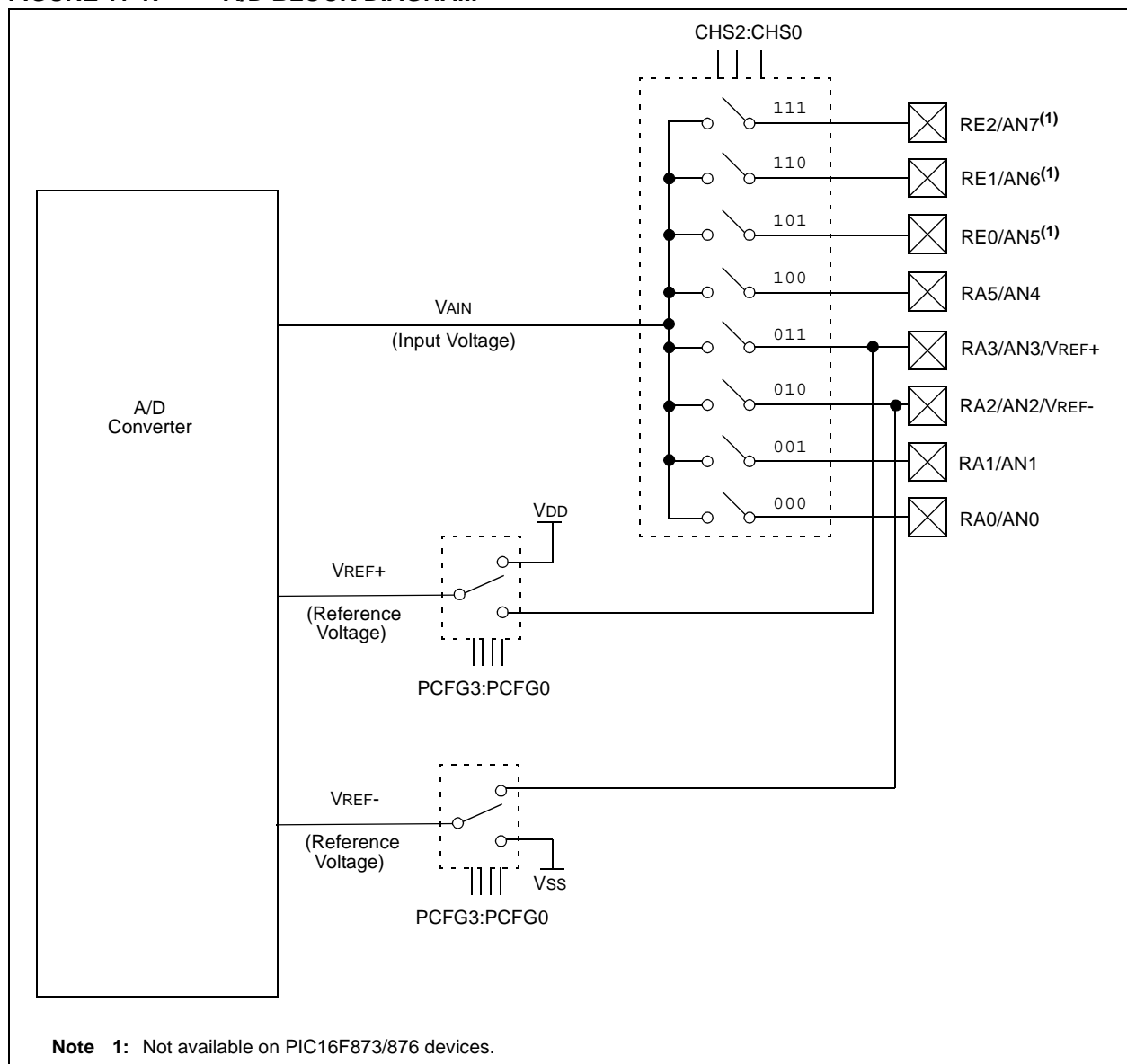
To determine sample time, see Section 11.1. After this acquisition time has elapsed, the A/D conversion can be started.



These steps should be followed for doing an A/D Conversion:

1. Configure the A/D module:
  - Configure analog pins/voltage reference and digital I/O (ADCON1)
  - Select A/D input channel (ADCON0)
  - Select A/D conversion clock (ADCON0)
  - Turn on A/D module (ADCON0)
2. Configure A/D interrupt (if desired):
  - Clear ADIF bit
  - Set ADIE bit
  - Set PEIE bit
  - Set GIE bit
3. Wait the required acquisition time.
4. Start conversion:
  - Set GO/DONE bit (ADCON0)
5. Wait for A/D conversion to complete, by either:
  - Polling for the GO/DONE bit to be cleared (with interrupts enabled); OR
  - Waiting for the A/D interrupt
6. Read A/D result register pair (ADRESH:ADRESL), clear bit ADIF if required.
7. For the next conversion, go to step 1 or step 2, as required. The A/D conversion time per bit is defined as TAD. A minimum wait of 2TAD is required before the next acquisition starts.

**FIGURE 11-1: A/D BLOCK DIAGRAM**



# PIC16F87X

## 11.1 A/D Acquisition Requirements

For the A/D converter to meet its specified accuracy, the charge holding capacitor (CHOLD) must be allowed to fully charge to the input channel voltage level. The analog input model is shown in Figure 11-2. The source impedance (RS) and the internal sampling switch (RSS) impedance directly affect the time required to charge the capacitor CHOLD. The sampling switch (RSS) impedance varies over the device voltage (VDD), see Figure 11-2. **The maximum recommended impedance for analog sources is 10 kΩ.** As the impedance is decreased, the acquisition time may be decreased.

After the analog input channel is selected (changed), this acquisition must be done before the conversion can be started.

To calculate the minimum acquisition time, Equation 11-1 may be used. This equation assumes that 1/2 LSB error is used (1024 steps for the A/D). The 1/2 LSB error is the maximum error allowed for the A/D to meet its specified resolution.

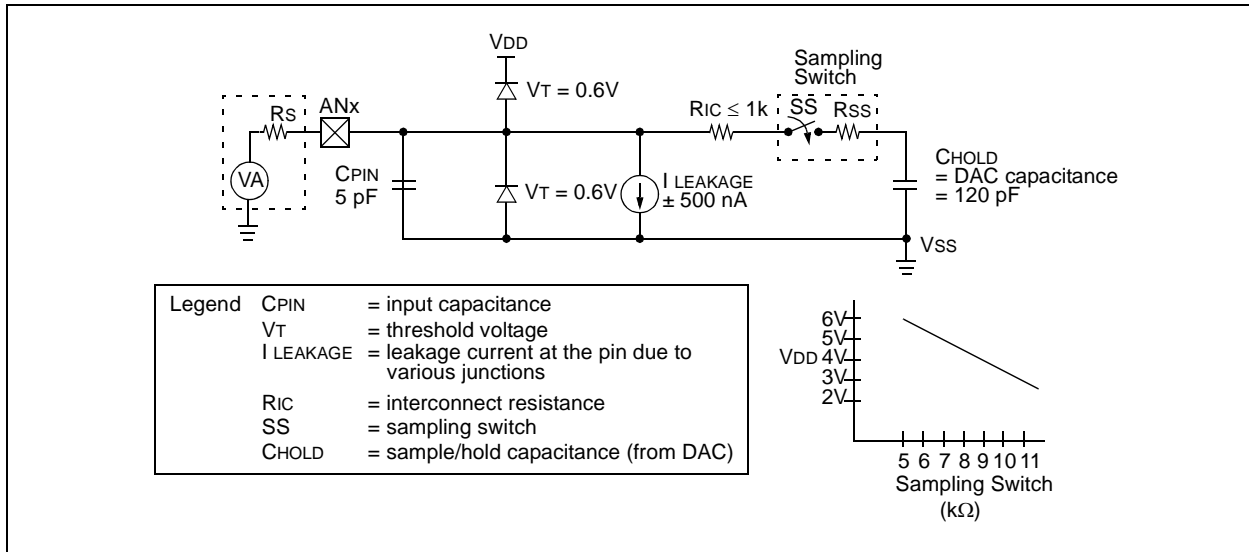
To calculate the minimum acquisition time, TACQ, see the PIC® MCU Mid-Range Reference Manual (DS33023).

### EQUATION 11-1: ACQUISITION TIME

|      |  |
|------|--|
| TACQ | = Amplifier Settling Time +<br>Hold Capacitor Charging Time +<br>Temperature Coefficient |
|      | = TAMP + TC + TCOFF  |
|      | = 2μs + TC + [(Temperature -25°C)(0.05μs/°C)]  |
| TC   | = CHOLD (RIC + RSS + RS) ln(1/2047)  |
|      | = - 120pF (1kΩ + 7kΩ + 10kΩ) ln(0.0004885)   |
|      | = 16.47μs  |
| TACQ | = 2μs + 16.47μs + [(50°C -25°C)(0.05μs/°C)]  |
|      | = 19.72μs  |

- Note 1:** The reference voltage (VREF) has no effect on the equation, since it cancels itself out.
- Note 2:** The charge holding capacitor (CHOLD) is not discharged after each conversion.
- Note 3:** The maximum recommended impedance for analog sources is 10 kΩ. This is required to meet the pin leakage specification.
- Note 4:** After a conversion has completed, a 2.0TAD delay must complete before acquisition can begin again. During this time, the holding capacitor is not connected to the selected A/D input channel.

FIGURE 11-2: ANALOG INPUT MODEL



## 11.2 Selecting the A/D Conversion Clock

The A/D conversion time per bit is defined as TAD. The A/D conversion requires a minimum 12TAD per 10-bit conversion. The source of the A/D conversion clock is software selected. The four possible options for TAD are:

- 2TOSC
- 8TOSC
- 32TOSC
- Internal A/D module RC oscillator (2-6  $\mu$ s)

For correct A/D conversions, the A/D conversion clock (TAD) must be selected to ensure a minimum TAD time of 1.6  $\mu$ s.

Table 11-1 shows the resultant TAD times derived from the device operating frequencies and the A/D clock source selected.

**TABLE 11-1: TAD vs. MAXIMUM DEVICE OPERATING FREQUENCIES (STANDARD DEVICES (C))**

| AD Clock Source (TAD)   |             | Maximum Device Frequency |
|-------------------------|-------------|--------------------------|
| Operation               | ADCS1:ADCS0 | Max.                     |
| 2TOSC                   | 00          | 1.25 MHz                 |
| 8TOSC                   | 01          | 5 MHz                    |
| 32TOSC                  | 10          | 20 MHz                   |
| RC <sup>(1, 2, 3)</sup> | 11          | <b>(Note 1)</b>          |

**Note 1:** The RC source has a typical TAD time of 4  $\mu$ s, but can vary between 2-6  $\mu$ s.

**2:** When the device frequencies are greater than 1 MHz, the RC A/D conversion clock source is only recommended for SLEEP operation.

**3:** For extended voltage devices (LC), please refer to the Electrical Characteristics (Sections 15.1 and 15.2).

## 11.3 Configuring Analog Port Pins

The ADCON1 and TRIS registers control the operation of the A/D port pins. The port pins that are desired as analog inputs must have their corresponding TRIS bits set (input). If the TRIS bit is cleared (output), the digital output level (VOH or VOL) will be converted.

The A/D operation is independent of the state of the CHS2:CHS0 bits and the TRIS bits.

**Note 1:** When reading the port register, any pin configured as an analog input channel will read as cleared (a low level). Pins configured as digital inputs will convert an analog input. Analog levels on a digitally configured input will not affect the conversion accuracy.

**2:** Analog levels on any pin that is defined as a digital input (including the AN7:AN0 pins), may cause the input buffer to consume current that is out of the device specifications.

# PIC16F87X

## 11.4 A/D Conversions

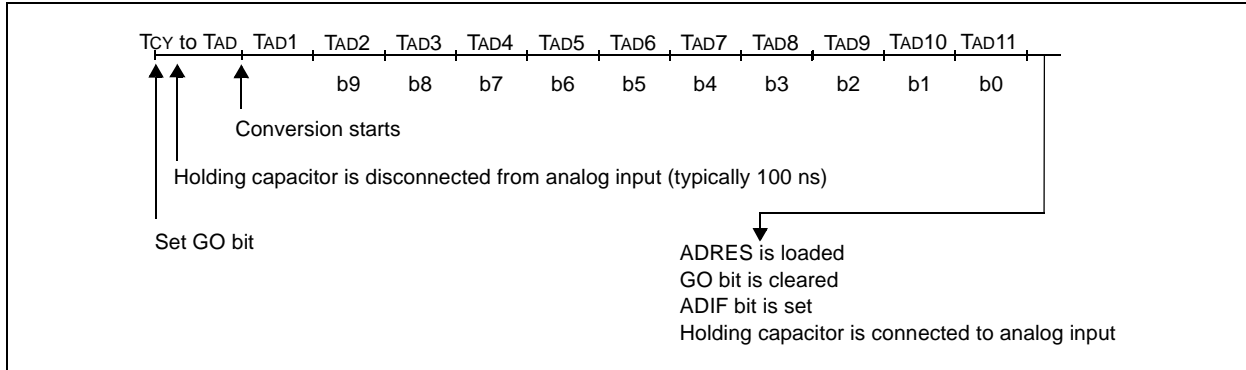
Clearing the  $\overline{\text{GO/DONE}}$  bit during a conversion will abort the current conversion. The A/D result register pair will NOT be updated with the partially completed A/D conversion sample. That is, the ADRESH:ADRESL registers will continue to contain the value of the last completed conversion (or the last value written to the ADRESH:ADRESL registers). After the A/D conversion is aborted, a 2TAD wait is required before the next

acquisition is started. After this 2TAD wait, acquisition on the selected channel is automatically started. The  $\overline{\text{GO/DONE}}$  bit can then be set to start the conversion.

In Figure 11-3, after the GO bit is set, the first time segment has a minimum of TCY and a maximum of TAD.

**Note:** The  $\overline{\text{GO/DONE}}$  bit should **NOT** be set in the same instruction that turns on the A/D.

**FIGURE 11-3: A/D CONVERSION TAD CYCLES**

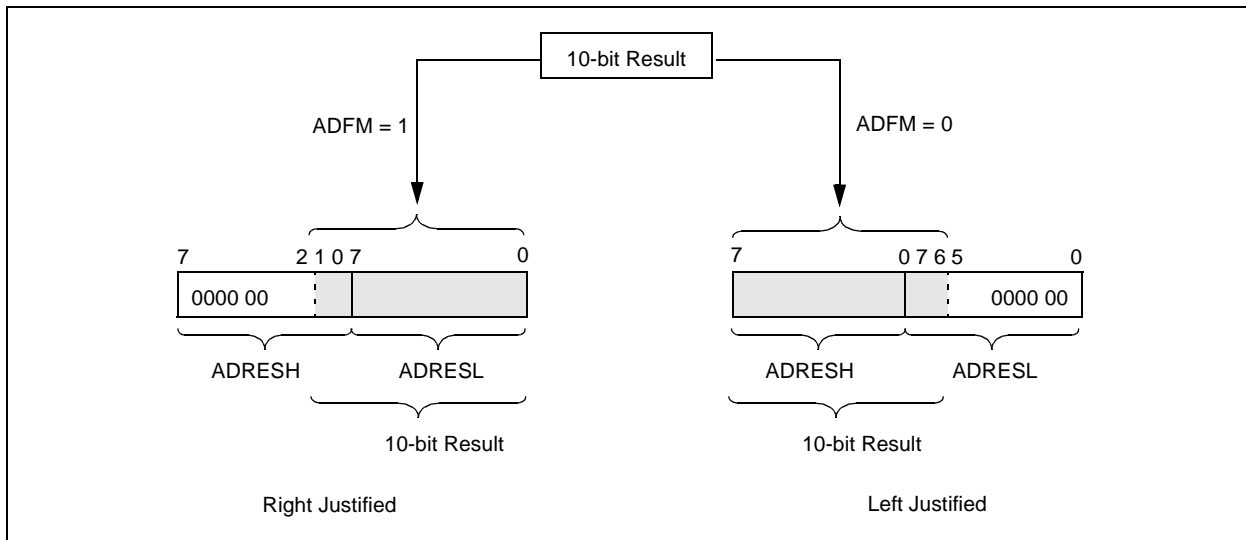


### 11.4.1 A/D RESULT REGISTERS

The ADRESH:ADRESL register pair is the location where the 10-bit A/D result is loaded at the completion of the A/D conversion. This register pair is 16-bits wide. The A/D module gives the flexibility to left or right justify the 10-bit result in the 16-bit result register. The A/D

Format Select bit (ADFM) controls this justification. Figure 11-4 shows the operation of the A/D result justification. The extra bits are loaded with '0's'. When an A/D result will not overwrite these locations (A/D disable), these registers may be used as two general purpose 8-bit registers.

**FIGURE 11-4: A/D RESULT JUSTIFICATION**



## 11.5 A/D Operation During SLEEP

The A/D module can operate during SLEEP mode. This requires that the A/D clock source be set to RC (ADCS1:ADCS0 = 11). When the RC clock source is selected, the A/D module waits one instruction cycle before starting the conversion. This allows the SLEEP instruction to be executed, which eliminates all digital switching noise from the conversion. When the conversion is completed, the GO/DONE bit will be cleared and the result loaded into the ADRES register. If the A/D interrupt is enabled, the device will wake-up from SLEEP. If the A/D interrupt is not enabled, the A/D module will then be turned off, although the ADON bit will remain set.

When the A/D clock source is another clock option (not RC), a SLEEP instruction will cause the present conversion to be aborted and the A/D module to be turned off, though the ADON bit will remain set.

Turning off the A/D places the A/D module in its lowest current consumption state.

**Note:** For the A/D module to operate in SLEEP, the A/D clock source must be set to RC (ADCS1:ADCS0 = 11). To allow the conversion to occur during SLEEP, ensure the SLEEP instruction immediately follows the instruction that sets the GO/DONE bit.

## 11.6 Effects of a RESET

A device RESET forces all registers to their RESET state. This forces the A/D module to be turned off, and any conversion is aborted. All A/D input pins are configured as analog inputs.

The value that is in the ADRESH:ADRESL registers is not modified for a Power-on Reset. The ADRESH:ADRESL registers will contain unknown data after a Power-on Reset.

**TABLE 11-2: REGISTERS/BITS ASSOCIATED WITH A/D**

| Address            | Name   | Bit 7                         | Bit 6 | Bit 5   | Bit 4   | Bit 3 | Bit 2                     | Bit 1  | Bit 0  | Value on POR, BOR | Value on MCLR, WDT |
|--------------------|--------|-------------------------------|-------|---|---------|-------|---------------------------|--------|--------|-------------------|--------------------|
| 0Bh,8Bh, 10Bh,18Bh | INTCON | GIE                           | PEIE  | T0IE  | INTE    | RBIE  | T0IF                      | INTF   | RBIF   | 0000 000x         | 0000 000u          |
| 0Ch                | PIR1   | PSPIF <sup>(1)</sup>          | ADIF  | RCIF  | TXIF    | SSPIF | CCP1IF                    | TMR2IF | TMR1IF | 0000 0000         | 0000 0000          |
| 8Ch                | PIE1   | PSPIE <sup>(1)</sup>          | ADIE  | RCIE  | TXIE    | SSPIE | CCP1IE                    | TMR2IE | TMR1IE | 0000 0000         | 0000 0000          |
| 1Eh                | ADRESH | A/D Result Register High Byte |       |   |         |       |                           |        |        | xxxx xxxx         | uuuu uuuu          |
| 9Eh                | ADRESL | A/D Result Register Low Byte  |       |   |         |       |                           |        |        | xxxx xxxx         | uuuu uuuu          |
| 1Fh                | ADCON0 | ADCS1                         | ADCS0 | CHS2  | CHS1    | CHS0  | GO/DONE                   | —      | ADON   | 0000 00-0         | 0000 00-0          |
| 9Fh                | ADCON1 | ADFM                          | —     | —   | —       | PCFG3 | PCFG2                     | PCFG1  | PCFG0  | --0- 0000         | --0- 0000          |
| 85h                | TRISA  | —                             | —     | PORTA Data Direction Register                       |         |       |                           |        |        | --11 1111         | --11 1111          |
| 05h                | PORTA  | —                             | —     | PORTA Data Latch when written: PORTA pins when read |         |       |                           |        |        | --0x 0000         | --0u 0000          |
| 89h <sup>(1)</sup> | TRISE  | IBF                           | OBF   | IBOV  | PSPMODE | —     | PORTE Data Direction bits |        |        | 0000 -111         | 0000 -111          |
| 09h <sup>(1)</sup> | PORTE  | —                             | —     | —   | —       | —     | RE2                       | RE1    | RE0    | ---- -xxx         | ---- -uuu          |

Legend: x = unknown, u = unchanged, - = unimplemented, read as '0'. Shaded cells are not used for A/D conversion.

**Note 1:** These registers/bits are not available on the 28-pin devices.

# PIC16F87X

---

NOTES:

## 12.0 SPECIAL FEATURES OF THE CPU

All PIC16F87X devices have a host of features intended to maximize system reliability, minimize cost through elimination of external components, provide power saving operating modes and offer code protection. These are:

- Oscillator Selection
- RESET
  - Power-on Reset (POR)
  - Power-up Timer (PWRT)
  - Oscillator Start-up Timer (OST)
  - Brown-out Reset (BOR)
- Interrupts
- Watchdog Timer (WDT)
- SLEEP
- Code Protection
- ID Locations
- In-Circuit Serial Programming
- Low Voltage In-Circuit Serial Programming
- In-Circuit Debugger

PIC16F87X devices have a Watchdog Timer, which can be shut-off only through configuration bits. It runs off its own RC oscillator for added reliability.

There are two timers that offer necessary delays on power-up. One is the Oscillator Start-up Timer (OST), intended to keep the chip in RESET until the crystal oscillator is stable. The other is the Power-up Timer (PWRT), which provides a fixed delay of 72 ms (nominal) on power-up only. It is designed to keep the part in RESET while the power supply stabilizes. With these two timers on-chip, most applications need no external RESET circuitry.

SLEEP mode is designed to offer a very low current Power-down mode. The user can wake-up from SLEEP through external RESET, Watchdog Timer Wake-up, or through an interrupt.

Several oscillator options are also made available to allow the part to fit the application. The RC oscillator option saves system cost while the LP crystal option saves power. A set of configuration bits is used to select various options.

Additional information on special features is available in the PIC<sup>®</sup> MCU Mid-Range Reference Manual, (DS33023).

### 12.1 Configuration Bits

The configuration bits can be programmed (read as '0'), or left unprogrammed (read as '1'), to select various device configurations. The erased, or unprogrammed value of the configuration word is 3FFFh. These bits are mapped in program memory location 2007h.

It is important to note that address 2007h is beyond the user program memory space, which can be accessed only during programming.

# PIC16F87X

## REGISTER 12-1: CONFIGURATION WORD (ADDRESS 2007h)<sup>(1)</sup>

|     |     |       |   |     |     |     |       |     |     |                                  |      |       |       |
|-----|-----|-------|---|-----|-----|-----|-------|-----|-----|----------------------------------|------|-------|-------|
| CP1 | CP0 | DEBUG | — | WRT | CPD | LVP | BODEN | CP1 | CP0 | $\overline{\text{PWRT}}\text{E}$ | WDTE | F0SC1 | F0SC0 |
|-----|-----|-------|---|-----|-----|-----|-------|-----|-----|----------------------------------|------|-------|-------|

bit13

bit0

- bit 13-12, bit 5-4      **CP1:CP0:** FLASH Program Memory Code Protection bits<sup>(2)</sup>  
 11 = Code protection off  
 10 = 1F00h to 1FFFh code protected (PIC16F877, 876)  
 10 = 0F00h to 0FFFh code protected (PIC16F874, 873)  
 01 = 1000h to 1FFFh code protected (PIC16F877, 876)  
 01 = 0800h to 0FFFh code protected (PIC16F874, 873)  
 00 = 0000h to 1FFFh code protected (PIC16F877, 876)  
 00 = 0000h to 0FFFh code protected (PIC16F874, 873)
- bit 11      **DEBUG:** In-Circuit Debugger Mode  
 1 = In-Circuit Debugger disabled, RB6 and RB7 are general purpose I/O pins  
 0 = In-Circuit Debugger enabled, RB6 and RB7 are dedicated to the debugger.
- bit 10      **Unimplemented:** Read as '1'
- bit 9      **WRT:** FLASH Program Memory Write Enable  
 1 = Unprotected program memory may be written to by EECON control  
 0 = Unprotected program memory may not be written to by EECON control
- bit 8      **CPD:** Data EE Memory Code Protection  
 1 = Code protection off  
 0 = Data EEPROM memory code protected
- bit 7      **LVP:** Low Voltage In-Circuit Serial Programming Enable bit  
 1 = RB3/PGM pin has PGM function, low voltage programming enabled  
 0 = RB3 is digital I/O, HV on  $\overline{\text{MCLR}}$  must be used for programming
- bit 6      **BODEN:** Brown-out Reset Enable bit<sup>(3)</sup>  
 1 = BOR enabled  
 0 = BOR disabled
- bit 3       **$\overline{\text{PWRT}}\text{E}$ :** Power-up Timer Enable bit<sup>(3)</sup>  
 1 = PWRT disabled  
 0 = PWRT enabled
- bit 2      **WDTE:** Watchdog Timer Enable bit  
 1 = WDT enabled  
 0 = WDT disabled
- bit 1-0      **F0SC1:F0SC0:** Oscillator Selection bits  
 11 = RC oscillator  
 10 = HS oscillator  
 01 = XT oscillator  
 00 = LP oscillator

- Note 1:** The erased (unprogrammed) value of the configuration word is 3FFFh.  
**2:** All of the CP1:CP0 pairs have to be given the same value to enable the code protection scheme listed.  
**3:** Enabling Brown-out Reset automatically enables Power-up Timer (PWRT), regardless of the value of bit  $\overline{\text{PWRT}}\text{E}$ . Ensure the Power-up Timer is enabled any time Brown-out Reset is enabled.



## 12.2 Oscillator Configurations

### 12.2.1 OSCILLATOR TYPES

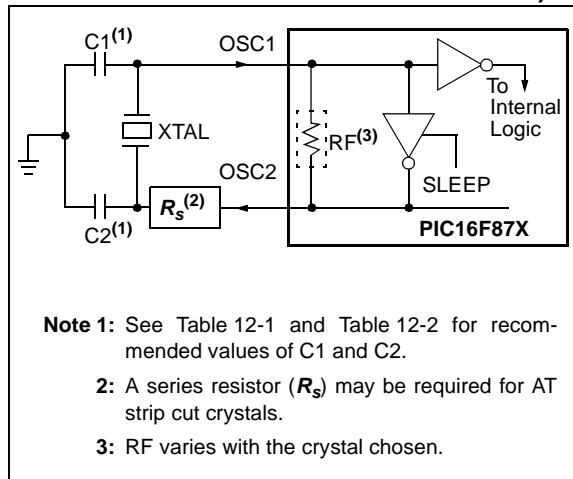
The PIC16F87X can be operated in four different oscillator modes. The user can program two configuration bits (FOSC1 and FOSC0) to select one of these four modes:

- LP Low Power Crystal
- XT Crystal/Resonator
- HS High Speed Crystal/Resonator
- RC Resistor/Capacitor

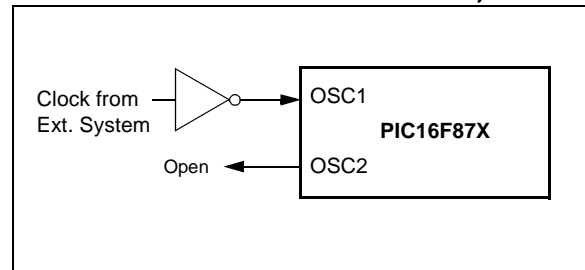
### 12.2.2 CRYSTAL OSCILLATOR/CERAMIC RESONATORS

In XT, LP or HS modes, a crystal or ceramic resonator is connected to the OSC1/CLKIN and OSC2/CLKOUT pins to establish oscillation (Figure 12-1). The PIC16F87X oscillator design requires the use of a parallel cut crystal. Use of a series cut crystal may give a frequency out of the crystal manufacturers specifications. When in XT, LP or HS modes, the device can have an external clock source to drive the OSC1/CLKIN pin (Figure 12-2).

**FIGURE 12-1: CRYSTAL/CERAMIC RESONATOR OPERATION (HS, XT OR LP OSC CONFIGURATION)**



**FIGURE 12-2: EXTERNAL CLOCK INPUT OPERATION (HS, XT OR LP OSC CONFIGURATION)**



**TABLE 12-1: CERAMIC RESONATORS**

| Ranges Tested:  |                        |             |             |
|---|------------------------|-------------|-------------|
| Mode  | Freq.                  | OSC1        | OSC2        |
| XT  | 455 kHz                | 68 - 100 pF | 68 - 100 pF |
|   | 2.0 MHz                | 15 - 68 pF  | 15 - 68 pF  |
|   | 4.0 MHz                | 15 - 68 pF  | 15 - 68 pF  |
| HS  | 8.0 MHz                | 10 - 68 pF  | 10 - 68 pF  |
|   | 16.0 MHz               | 10 - 22 pF  | 10 - 22 pF  |
| These values are for design guidance only.<br>See notes following Table 12-2. |                        |             |             |
| Resonators Used:  |                        |             |             |
| 455 kHz   | Panasonic EFO-A455K04B | ± 0.3%      |             |
| 2.0 MHz   | Murata Erie CSA2.00MG  | ± 0.5%      |             |
| 4.0 MHz   | Murata Erie CSA4.00MG  | ± 0.5%      |             |
| 8.0 MHz   | Murata Erie CSA8.00MT  | ± 0.5%      |             |
| 16.0 MHz  | Murata Erie CSA16.00MX | ± 0.5%      |             |
| All resonators used did not have built-in capacitors.                         |                        |             |             |

# PIC16F87X

**TABLE 12-2: CAPACITOR SELECTION FOR CRYSTAL OSCILLATOR**

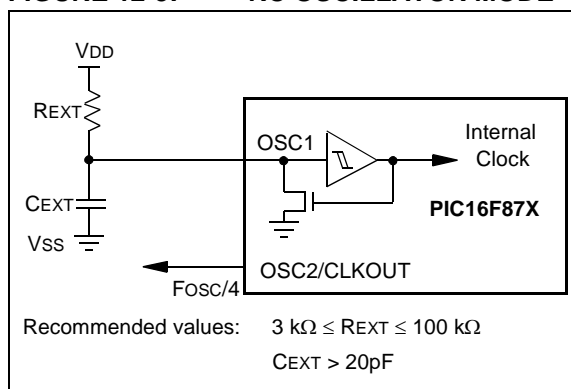
| Osc Type   | Crystal Freq.          | Cap. Range C1 | Cap. Range C2 |
|--|------------------------|---------------|---------------|
| LP   | 32 kHz                 | 33 pF         | 33 pF         |
|  | 200 kHz                | 15 pF         | 15 pF         |
| XT   | 200 kHz                | 47-68 pF      | 47-68 pF      |
|  | 1 MHz                  | 15 pF         | 15 pF         |
|  | 4 MHz                  | 15 pF         | 15 pF         |
| HS   | 4 MHz                  | 15 pF         | 15 pF         |
|  | 8 MHz                  | 15-33 pF      | 15-33 pF      |
|  | 20 MHz                 | 15-33 pF      | 15-33 pF      |
| <b>These values are for design guidance only.</b><br>See notes following this table. |                        |               |               |
| <b>Crystals Used</b>   |                        |               |               |
| 32 kHz   | Epson C-001R32.768K-A  | ± 20 PPM      |               |
| 200 kHz  | STD XTL 200.000KHz     | ± 20 PPM      |               |
| 1 MHz  | ECS ECS-10-13-1        | ± 50 PPM      |               |
| 4 MHz  | ECS ECS-40-20-1        | ± 50 PPM      |               |
| 8 MHz  | EPSON CA-301 8.000M-C  | ± 30 PPM      |               |
| 20 MHz   | EPSON CA-301 20.000M-C | ± 30 PPM      |               |

- Note 1:** Higher capacitance increases the stability of oscillator, but also increases the start-up time.
- 2:** Since each resonator/crystal has its own characteristics, the user should consult the resonator/crystal manufacturer for appropriate values of external components.
- 3:**  $R_s$  may be required in HS mode, as well as XT mode, to avoid overdriving crystals with low drive level specification.
- 4:** When migrating from other PIC® MCU devices, oscillator performance should be verified.

## 12.2.3 RC OSCILLATOR

For timing insensitive applications, the “RC” device option offers additional cost savings. The RC oscillator frequency is a function of the supply voltage, the resistor ( $R_{EXT}$ ) and capacitor ( $C_{EXT}$ ) values, and the operating temperature. In addition to this, the oscillator frequency will vary from unit to unit due to normal process parameter variation. Furthermore, the difference in lead frame capacitance between package types will also affect the oscillation frequency, especially for low  $C_{EXT}$  values. The user also needs to take into account variation due to tolerance of external R and C components used. Figure 12-3 shows how the R/C combination is connected to the PIC16F87X.

**FIGURE 12-3: RC OSCILLATOR MODE**



## 12.3 RESET

The PIC16F87X differentiates between various kinds of RESET:

- Power-on Reset (POR)
- $\overline{\text{MCLR}}$  Reset during normal operation
- $\overline{\text{MCLR}}$  Reset during SLEEP
- WDT Reset (during normal operation)
- WDT Wake-up (during SLEEP)
- Brown-out Reset (BOR)

Some registers are not affected in any RESET condition. Their status is unknown on POR and unchanged in any other RESET. Most other registers are reset to a "RESET state" on Power-on Reset (POR), on the  $\overline{\text{MCLR}}$  and WDT Reset, on  $\overline{\text{MCLR}}$  Reset during

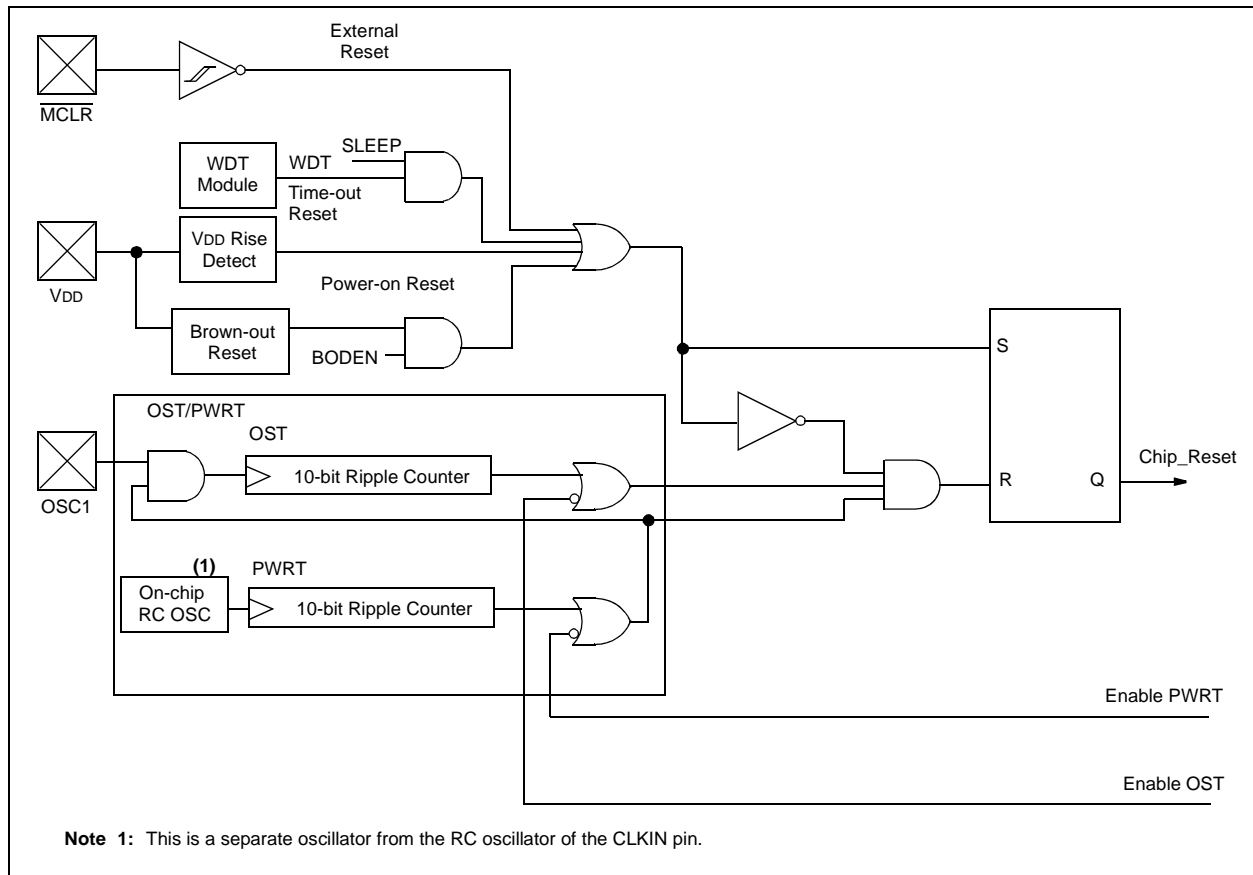
SLEEP, and Brown-out Reset (BOR). They are not affected by a WDT Wake-up, which is viewed as the resumption of normal operation. The  $\overline{\text{TO}}$  and  $\overline{\text{PD}}$  bits are set or cleared differently in different RESET situations as indicated in Table 12-4. These bits are used in software to determine the nature of the RESET. See Table 12-6 for a full description of RESET states of all registers.

A simplified block diagram of the On-Chip Reset Circuit is shown in Figure 12-4.

These devices have a  $\overline{\text{MCLR}}$  noise filter in the  $\overline{\text{MCLR}}$  Reset path. The filter will detect and ignore small pulses.

It should be noted that a WDT Reset does not drive  $\overline{\text{MCLR}}$  pin low.

**FIGURE 12-4: SIMPLIFIED BLOCK DIAGRAM OF ON-CHIP RESET CIRCUIT**



# PIC16F87X

## 12.4 Power-On Reset (POR)

A Power-on Reset pulse is generated on-chip when VDD rise is detected (in the range of 1.2V - 1.7V). To take advantage of the POR, tie the  $\overline{\text{MCLR}}$  pin directly (or through a resistor) to VDD. This will eliminate external RC components usually needed to create a Power-on Reset. A maximum rise time for VDD is specified. See Electrical Specifications for details.

When the device starts normal operation (exits the RESET condition), device operating parameters (voltage, frequency, temperature,...) must be met to ensure operation. If these conditions are not met, the device must be held in RESET until the operating conditions are met. Brown-out Reset may be used to meet the start-up conditions. For additional information, refer to Application Note, AN007, "Power-up Trouble Shooting", (DS00007).

## 12.5 Power-up Timer (PWRT)

The Power-up Timer provides a fixed 72 ms nominal time-out on power-up only from the POR. The Power-up Timer operates on an internal RC oscillator. The chip is kept in RESET as long as the PWRT is active. The PWRT's time delay allows VDD to rise to an acceptable level. A configuration bit is provided to enable/disable the PWRT.

The power-up time delay will vary from chip to chip due to VDD, temperature and process variation. See DC parameters for details (TPWRT, parameter #33).

## 12.6 Oscillator Start-up Timer (OST)

The Oscillator Start-up Timer (OST) provides a delay of 1024 oscillator cycles (from OSC1 input) after the PWRT delay is over (if PWRT is enabled). This helps to ensure that the crystal oscillator or resonator has started and stabilized.

The OST time-out is invoked only for XT, LP and HS modes and only on Power-on Reset or Wake-up from SLEEP.

## 12.7 Brown-out Reset (BOR)

The configuration bit, BODEN, can enable or disable the Brown-out Reset circuit. If VDD falls below VBOR (parameter D005, about 4V) for longer than TBOR (parameter #35, about 100 $\mu$ S), the brown-out situation will reset the device. If VDD falls below VBOR for less than TBOR, a RESET may not occur.

Once the brown-out occurs, the device will remain in Brown-out Reset until VDD rises above VBOR. The Power-up Timer then keeps the device in RESET for TPWRT (parameter #33, about 72mS). If VDD should fall below VBOR during TPWRT, the Brown-out Reset process will restart when VDD rises above VBOR with the Power-up Timer Reset. The Power-up Timer is always enabled when the Brown-out Reset circuit is enabled, regardless of the state of the PWRT configuration bit.

## 12.8 Time-out Sequence

On power-up, the time-out sequence is as follows: The PWRT delay starts (if enabled) when a POR Reset occurs. Then OST starts counting 1024 oscillator cycles when PWRT ends (LP, XT, HS). When the OST ends, the device comes out of RESET.

If  $\overline{\text{MCLR}}$  is kept low long enough, the time-outs will expire. Bringing  $\overline{\text{MCLR}}$  high will begin execution immediately. This is useful for testing purposes or to synchronize more than one PIC16F87X device operating in parallel.

Table 12-5 shows the RESET conditions for the STATUS, PCON and PC registers, while Table 12-6 shows the RESET conditions for all the registers.

## 12.9 Power Control/Status Register (PCON)

The Power Control/Status Register, PCON, has up to two bits depending upon the device.

Bit0 is Brown-out Reset Status bit,  $\overline{\text{BOR}}$ . Bit  $\overline{\text{BOR}}$  is unknown on a Power-on Reset. It must then be set by the user and checked on subsequent RESETS to see if bit  $\overline{\text{BOR}}$  cleared, indicating a BOR occurred. When the Brown-out Reset is disabled, the state of the  $\overline{\text{BOR}}$  bit is unpredictable and is, therefore, not valid at any time.

Bit1 is  $\overline{\text{POR}}$  (Power-on Reset Status bit). It is cleared on a Power-on Reset and unaffected otherwise. The user must set this bit following a Power-on Reset.

TABLE 12-3: TIME-OUT IN VARIOUS SITUATIONS

| Oscillator Configuration | Power-up                      |                               | Brown-out        | Wake-up from SLEEP |
|--------------------------|-------------------------------|-------------------------------|------------------|--------------------|
|                          | $\overline{\text{PWRTE}} = 0$ | $\overline{\text{PWRTE}} = 1$ |                  |                    |
| XT, HS, LP               | 72 ms + 1024TOSC              | 1024TOSC                      | 72 ms + 1024TOSC | 1024TOSC           |
| RC                       | 72 ms                         | —                             | 72 ms            | —                  |

**TABLE 12-4: STATUS BITS AND THEIR SIGNIFICANCE**

| $\overline{\text{POR}}$ | $\overline{\text{BOR}}$ | $\overline{\text{TO}}$ | $\overline{\text{PD}}$ |   |
|-------------------------|-------------------------|------------------------|------------------------|---|
| 0                       | x                       | 1                      | 1                      | Power-on Reset  |
| 0                       | x                       | 0                      | x                      | Illegal, $\overline{\text{TO}}$ is set on $\overline{\text{POR}}$ |
| 0                       | x                       | x                      | 0                      | Illegal, $\overline{\text{PD}}$ is set on $\overline{\text{POR}}$ |
| 1                       | 0                       | 1                      | 1                      | Brown-out Reset   |
| 1                       | 1                       | 0                      | 1                      | WDT Reset   |
| 1                       | 1                       | 0                      | 0                      | WDT Wake-up   |
| 1                       | 1                       | u                      | u                      | MCLR Reset during normal operation                                |
| 1                       | 1                       | 1                      | 0                      | MCLR Reset during SLEEP or interrupt wake-up from SLEEP           |

Legend: x = don't care, u = unchanged

**TABLE 12-5: RESET CONDITION FOR SPECIAL REGISTERS**

| Condition                          | Program Counter       | STATUS Register | PCON Register |
|------------------------------------|-----------------------|-----------------|---------------|
| Power-on Reset                     | 000h                  | 0001 1xxx       | ---- --0x     |
| MCLR Reset during normal operation | 000h                  | 000u uuuu       | ---- --uu     |
| MCLR Reset during SLEEP            | 000h                  | 0001 0uuu       | ---- --uu     |
| WDT Reset                          | 000h                  | 0000 1uuu       | ---- --uu     |
| WDT Wake-up                        | PC + 1                | uuu0 0uuu       | ---- --uu     |
| Brown-out Reset                    | 000h                  | 0001 1uuu       | ---- --u0     |
| Interrupt wake-up from SLEEP       | PC + 1 <sup>(1)</sup> | uuu1 0uuu       | ---- --uu     |

Legend: u = unchanged, x = unknown, - = unimplemented bit, read as '0'

**Note 1:** When the wake-up is due to an interrupt and the GIE bit is set, the PC is loaded with the interrupt vector (0004h).

# PIC16F87X

**TABLE 12-6: INITIALIZATION CONDITIONS FOR ALL REGISTERS**

| Register   | Devices |     |     |     | Power-on Reset,<br>Brown-out Reset | MCLR Resets,<br>WDT Reset | Wake-up via WDT or<br>Interrupt |
|------------|---------|-----|-----|-----|------------------------------------|---------------------------|---------------------------------|
|            | 873     | 874 | 876 | 877 |                                    |                           |                                 |
| W          | 873     | 874 | 876 | 877 | xxxx xxxx                          | uuuu uuuu                 | uuuu uuuu                       |
| INDF       | 873     | 874 | 876 | 877 | N/A                                | N/A                       | N/A                             |
| TMR0       | 873     | 874 | 876 | 877 | xxxx xxxx                          | uuuu uuuu                 | uuuu uuuu                       |
| PCL        | 873     | 874 | 876 | 877 | 0000h                              | 0000h                     | PC + 1 <sup>(2)</sup>           |
| STATUS     | 873     | 874 | 876 | 877 | 0001 1xxx                          | 000q quuu <sup>(3)</sup>  | uuuq quuu <sup>(3)</sup>        |
| FSR        | 873     | 874 | 876 | 877 | xxxx xxxx                          | uuuu uuuu                 | uuuu uuuu                       |
| PORTA      | 873     | 874 | 876 | 877 | --0x 0000                          | --0u 0000                 | --uu uuuu                       |
| PORTB      | 873     | 874 | 876 | 877 | xxxx xxxx                          | uuuu uuuu                 | uuuu uuuu                       |
| PORTC      | 873     | 874 | 876 | 877 | xxxx xxxx                          | uuuu uuuu                 | uuuu uuuu                       |
| PORTD      | 873     | 874 | 876 | 877 | xxxx xxxx                          | uuuu uuuu                 | uuuu uuuu                       |
| PORTE      | 873     | 874 | 876 | 877 | ---- -xxx                          | ---- -uuu                 | ---- -uuu                       |
| PCLATH     | 873     | 874 | 876 | 877 | ---0 0000                          | ---0 0000                 | ---u uuuu                       |
| INTCON     | 873     | 874 | 876 | 877 | 0000 000x                          | 0000 000u                 | uuuu uuuu <sup>(1)</sup>        |
| PIR1       | 873     | 874 | 876 | 877 | r000 0000                          | r000 0000                 | ruuu uuuu <sup>(1)</sup>        |
|            | 873     | 874 | 876 | 877 | 0000 0000                          | 0000 0000                 | uuuu uuuu <sup>(1)</sup>        |
| PIR2       | 873     | 874 | 876 | 877 | -r-0 0--0                          | -r-0 0--0                 | -r-u u--u <sup>(1)</sup>        |
| TMR1L      | 873     | 874 | 876 | 877 | xxxx xxxx                          | uuuu uuuu                 | uuuu uuuu                       |
| TMR1H      | 873     | 874 | 876 | 877 | xxxx xxxx                          | uuuu uuuu                 | uuuu uuuu                       |
| T1CON      | 873     | 874 | 876 | 877 | --00 0000                          | --uu uuuu                 | --uu uuuu                       |
| TMR2       | 873     | 874 | 876 | 877 | 0000 0000                          | 0000 0000                 | uuuu uuuu                       |
| T2CON      | 873     | 874 | 876 | 877 | -000 0000                          | -000 0000                 | -uuu uuuu                       |
| SSPBUF     | 873     | 874 | 876 | 877 | xxxx xxxx                          | uuuu uuuu                 | uuuu uuuu                       |
| SSPCON     | 873     | 874 | 876 | 877 | 0000 0000                          | 0000 0000                 | uuuu uuuu                       |
| CCPR1L     | 873     | 874 | 876 | 877 | xxxx xxxx                          | uuuu uuuu                 | uuuu uuuu                       |
| CCPR1H     | 873     | 874 | 876 | 877 | xxxx xxxx                          | uuuu uuuu                 | uuuu uuuu                       |
| CCP1CON    | 873     | 874 | 876 | 877 | --00 0000                          | --00 0000                 | --uu uuuu                       |
| RCSTA      | 873     | 874 | 876 | 877 | 0000 000x                          | 0000 000x                 | uuuu uuuu                       |
| TXREG      | 873     | 874 | 876 | 877 | 0000 0000                          | 0000 0000                 | uuuu uuuu                       |
| RCREG      | 873     | 874 | 876 | 877 | 0000 0000                          | 0000 0000                 | uuuu uuuu                       |
| CCPR2L     | 873     | 874 | 876 | 877 | xxxx xxxx                          | uuuu uuuu                 | uuuu uuuu                       |
| CCPR2H     | 873     | 874 | 876 | 877 | xxxx xxxx                          | uuuu uuuu                 | uuuu uuuu                       |
| CCP2CON    | 873     | 874 | 876 | 877 | 0000 0000                          | 0000 0000                 | uuuu uuuu                       |
| ADRESH     | 873     | 874 | 876 | 877 | xxxx xxxx                          | uuuu uuuu                 | uuuu uuuu                       |
| ADCON0     | 873     | 874 | 876 | 877 | 0000 00-0                          | 0000 00-0                 | uuuu uu-u                       |
| OPTION_REG | 873     | 874 | 876 | 877 | 1111 1111                          | 1111 1111                 | uuuu uuuu                       |
| TRISA      | 873     | 874 | 876 | 877 | --11 1111                          | --11 1111                 | --uu uuuu                       |
| TRISB      | 873     | 874 | 876 | 877 | 1111 1111                          | 1111 1111                 | uuuu uuuu                       |
| TRISC      | 873     | 874 | 876 | 877 | 1111 1111                          | 1111 1111                 | uuuu uuuu                       |
| TRISD      | 873     | 874 | 876 | 877 | 1111 1111                          | 1111 1111                 | uuuu uuuu                       |
| TRISE      | 873     | 874 | 876 | 877 | 0000 -111                          | 0000 -111                 | uuuu -uuu                       |
| PIE1       | 873     | 874 | 876 | 877 | r000 0000                          | r000 0000                 | ruuu uuuu                       |
|            | 873     | 874 | 876 | 877 | 0000 0000                          | 0000 0000                 | uuuu uuuu                       |

Legend: u = unchanged, x = unknown, - = unimplemented bit, read as '0', q = value depends on condition, r = reserved, maintain clear

**Note 1:** One or more bits in INTCON, PIR1 and/or PIR2 will be affected (to cause wake-up).

**Note 2:** When the wake-up is due to an interrupt and the GIE bit is set, the PC is loaded with the interrupt vector (0004h).

**Note 3:** See Table 12-5 for RESET value for specific condition.

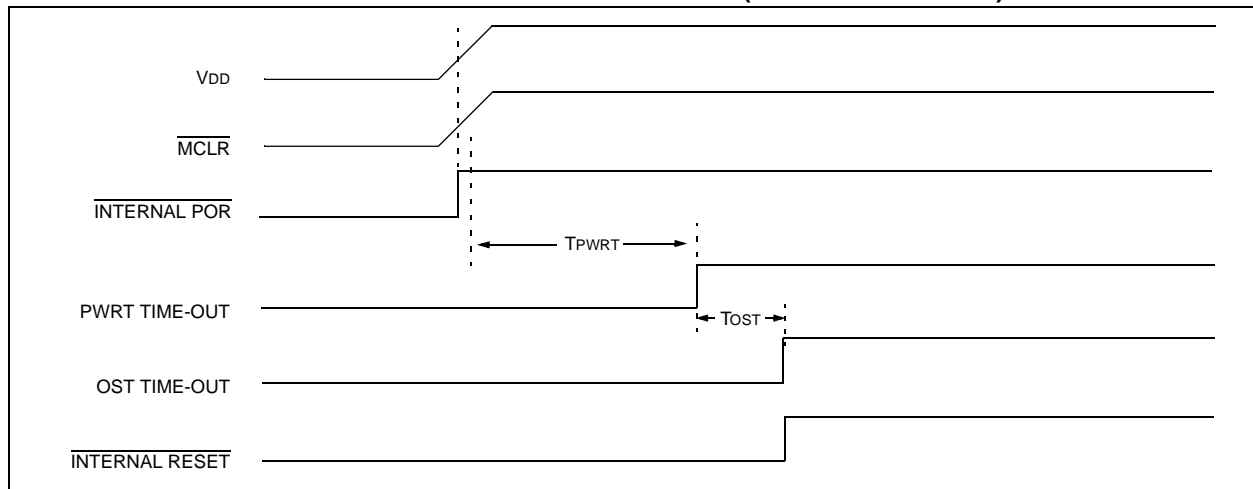
**TABLE 12-6: INITIALIZATION CONDITIONS FOR ALL REGISTERS (CONTINUED)**

| Register | Devices |     |     |     | Power-on Reset,<br>Brown-out Reset | MCLR Resets,<br>WDT Reset | Wake-up via WDT or<br>Interrupt |
|----------|---------|-----|-----|-----|------------------------------------|---------------------------|---------------------------------|
| PIE2     | 873     | 874 | 876 | 877 | -r-0 0--0                          | -r-0 0--0                 | -r-u u--u                       |
| PCON     | 873     | 874 | 876 | 877 | ---- --qq                          | ---- --uu                 | ---- --uu                       |
| PR2      | 873     | 874 | 876 | 877 | 1111 1111                          | 1111 1111                 | 1111 1111                       |
| SSPADD   | 873     | 874 | 876 | 877 | 0000 0000                          | 0000 0000                 | uuuu uuuu                       |
| SSPSTAT  | 873     | 874 | 876 | 877 | --00 0000                          | --00 0000                 | --uu uuuu                       |
| TXSTA    | 873     | 874 | 876 | 877 | 0000 -010                          | 0000 -010                 | uuuu -uuu                       |
| SPBRG    | 873     | 874 | 876 | 877 | 0000 0000                          | 0000 0000                 | uuuu uuuu                       |
| ADRESL   | 873     | 874 | 876 | 877 | xxxx xxxx                          | uuuu uuuu                 | uuuu uuuu                       |
| ADCON1   | 873     | 874 | 876 | 877 | 0--- 0000                          | 0--- 0000                 | u--- uuuu                       |
| EEDATA   | 873     | 874 | 876 | 877 | 0--- 0000                          | 0--- 0000                 | u--- uuuu                       |
| EEADR    | 873     | 874 | 876 | 877 | xxxx xxxx                          | uuuu uuuu                 | uuuu uuuu                       |
| EEDATH   | 873     | 874 | 876 | 877 | xxxx xxxx                          | uuuu uuuu                 | uuuu uuuu                       |
| EEADRH   | 873     | 874 | 876 | 877 | xxxx xxxx                          | uuuu uuuu                 | uuuu uuuu                       |
| EECON1   | 873     | 874 | 876 | 877 | x--- x000                          | u--- u000                 | u--- uuuu                       |
| EECON2   | 873     | 874 | 876 | 877 | ---- ----                          | ---- ----                 | ---- ----                       |

Legend: u = unchanged, x = unknown, - = unimplemented bit, read as '0', q = value depends on condition, r = reserved, maintain clear

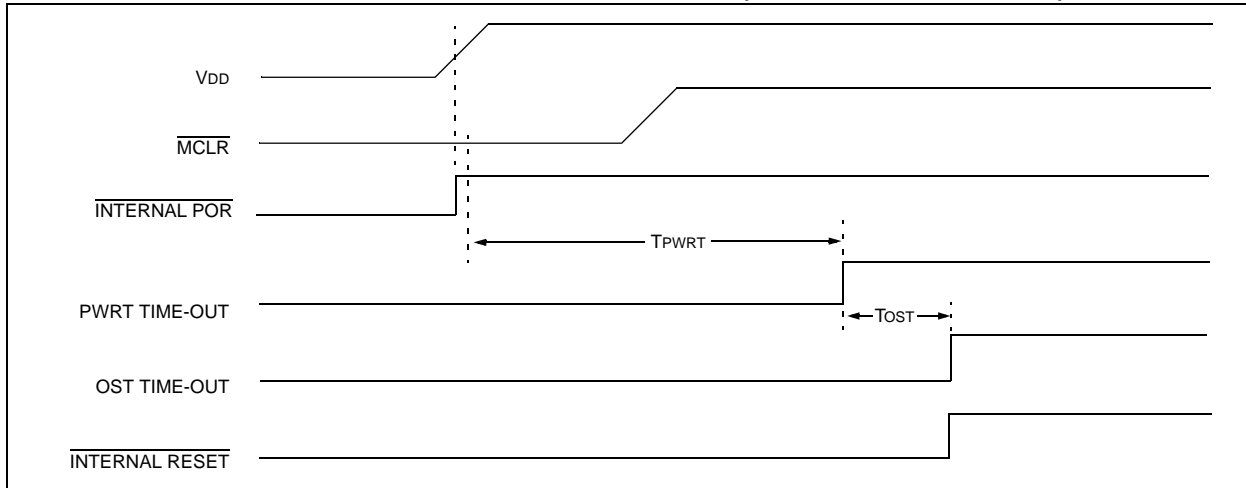
- Note 1:** One or more bits in INTCON, PIR1 and/or PIR2 will be affected (to cause wake-up).  
**Note 2:** When the wake-up is due to an interrupt and the GIE bit is set, the PC is loaded with the interrupt vector (0004h).  
**Note 3:** See Table 12-5 for RESET value for specific condition.

**FIGURE 12-5: TIME-OUT SEQUENCE ON POWER-UP (MCLR TIED TO VDD)**

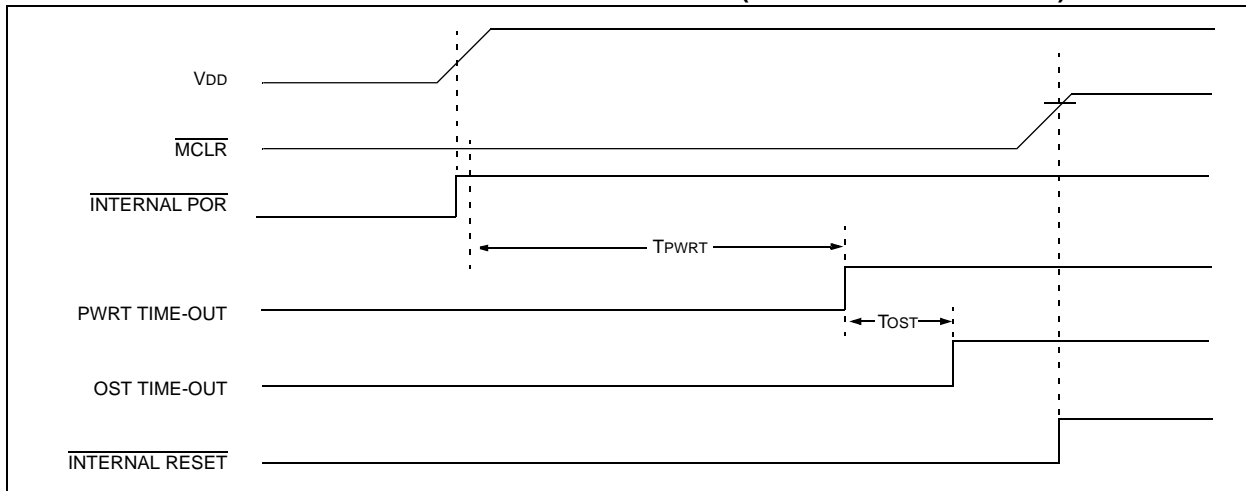


# PIC16F87X

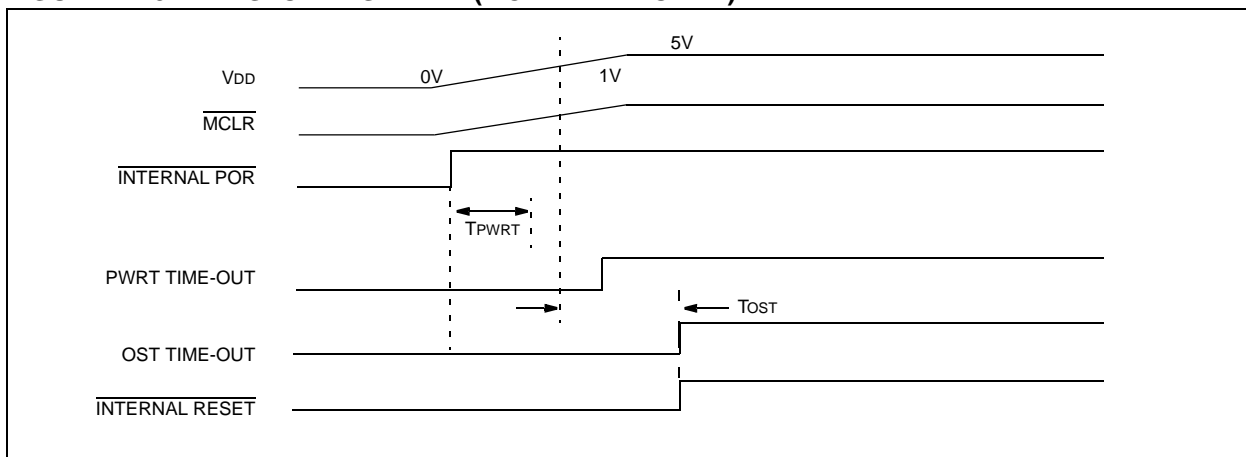
**FIGURE 12-6: TIME-OUT SEQUENCE ON POWER-UP ( $\overline{\text{MCLR}}$  NOT TIED TO  $V_{DD}$ ): CASE 1**



**FIGURE 12-7: TIME-OUT SEQUENCE ON POWER-UP ( $\overline{\text{MCLR}}$  NOT TIED TO  $V_{DD}$ ): CASE 2**



**FIGURE 12-8: SLOW RISE TIME ( $\overline{\text{MCLR}}$  TIED TO  $V_{DD}$ )**





## 12.10 Interrupts

The PIC16F87X family has up to 14 sources of interrupt. The interrupt control register (INTCON) records individual interrupt requests in flag bits. It also has individual and global interrupt enable bits.

**Note:** Individual interrupt flag bits are set, regardless of the status of their corresponding mask bit, or the GIE bit.

A global interrupt enable bit, GIE (INTCON<7>) enables (if set) all unmasked interrupts, or disables (if cleared) all interrupts. When bit GIE is enabled, and an interrupt's flag bit and mask bit are set, the interrupt will vector immediately. Individual interrupts can be disabled through their corresponding enable bits in various registers. Individual interrupt bits are set, regardless of the status of the GIE bit. The GIE bit is cleared on RESET.

The "return from interrupt" instruction, RETFIE, exits the interrupt routine, as well as sets the GIE bit, which re-enables interrupts.

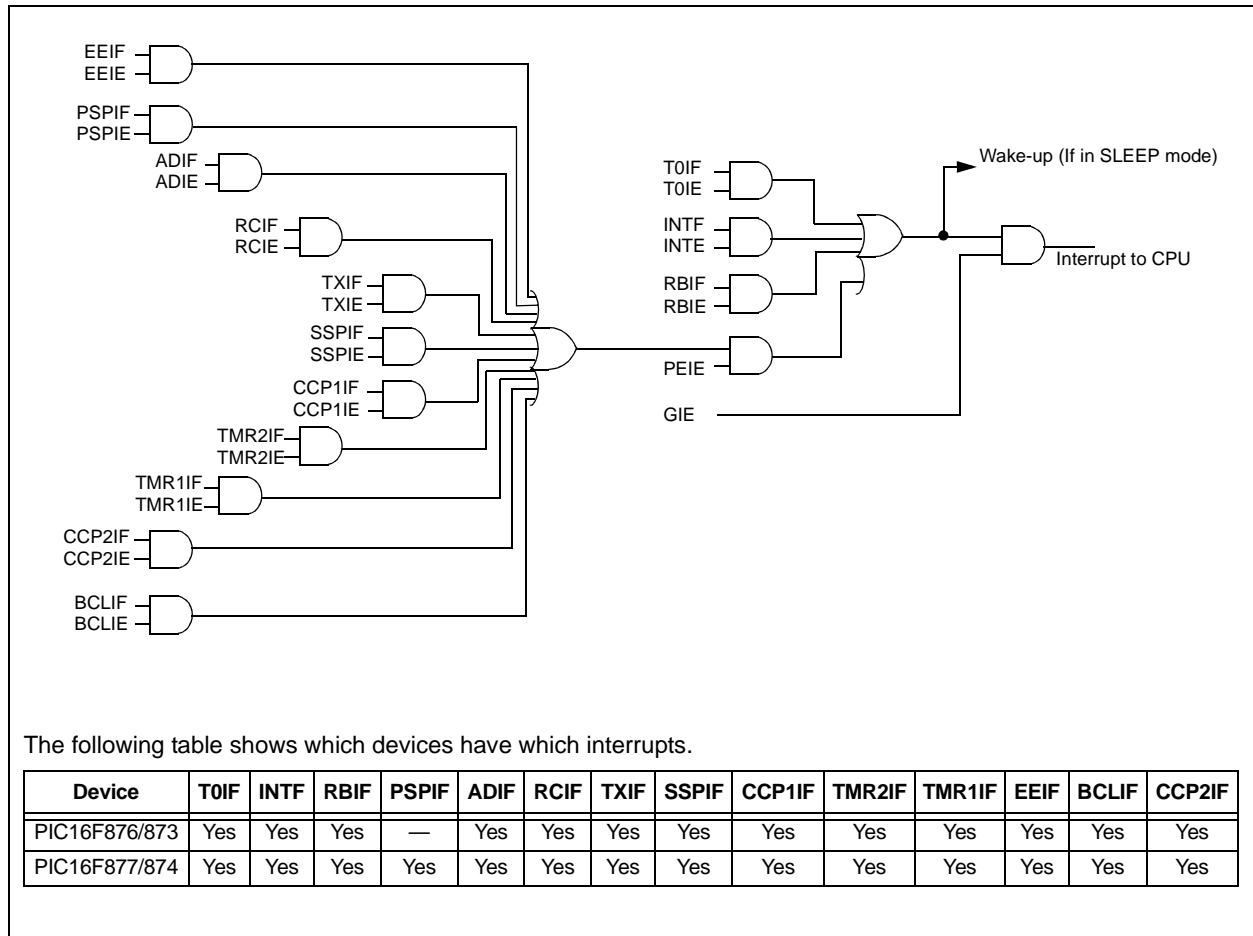
The RB0/INT pin interrupt, the RB port change interrupt, and the TMR0 overflow interrupt flags are contained in the INTCON register.

The peripheral interrupt flags are contained in the special function registers, PIR1 and PIR2. The corresponding interrupt enable bits are contained in special function registers, PIE1 and PIE2, and the peripheral interrupt enable bit is contained in special function register INTCON.

When an interrupt is responded to, the GIE bit is cleared to disable any further interrupt, the return address is pushed onto the stack and the PC is loaded with 0004h. Once in the Interrupt Service Routine, the source(s) of the interrupt can be determined by polling the interrupt flag bits. The interrupt flag bit(s) must be cleared in software before re-enabling interrupts to avoid recursive interrupts.

For external interrupt events, such as the INT pin or PORTB change interrupt, the interrupt latency will be three or four instruction cycles. The exact latency depends when the interrupt event occurs. The latency is the same for one or two-cycle instructions. Individual interrupt flag bits are set, regardless of the status of their corresponding mask bit, PEIE bit, or GIE bit.

**FIGURE 12-9: INTERRUPT LOGIC**



# PIC16F87X

## 12.10.1 INT INTERRUPT

External interrupt on the RB0/INT pin is edge triggered, either rising, if bit INTEDG (OPTION\_REG<6>) is set, or falling, if the INTEDG bit is clear. When a valid edge appears on the RB0/INT pin, flag bit INTF (INTCON<1>) is set. This interrupt can be disabled by clearing enable bit INTE (INTCON<4>). Flag bit INTF must be cleared in software in the Interrupt Service Routine before re-enabling this interrupt. The INT interrupt can wake-up the processor from SLEEP, if bit INTE was set prior to going into SLEEP. The status of global interrupt enable bit, GIE, decides whether or not the processor branches to the interrupt vector following wake-up. See Section 12.13 for details on SLEEP mode.

## 12.10.2 TMR0 INTERRUPT

An overflow (FFh → 00h) in the TMR0 register will set flag bit T0IF (INTCON<2>). The interrupt can be enabled/disabled by setting/clearing enable bit T0IE (INTCON<5>) (Section 5.0).

## 12.10.3 PORTB INTCON CHANGE

An input change on PORTB<7:4> sets flag bit RBIF (INTCON<0>). The interrupt can be enabled/disabled by setting/clearing enable bit RBIE (INTCON<4>) (Section 3.2).

## 12.11 Context Saving During Interrupts

During an interrupt, only the return PC value is saved on the stack. Typically, users may wish to save key registers during an interrupt, (i.e., W register and STATUS register). This will have to be implemented in software.

For the PIC16F873/874 devices, the register W\_TEMP must be defined in both banks 0 and 1 and must be defined at the same offset from the bank base address (i.e., If W\_TEMP is defined at 0x20 in bank 0, it must also be defined at 0xA0 in bank 1). The registers, PCLATH\_TEMP and STATUS\_TEMP, are only defined in bank 0.

Since the upper 16 bytes of each bank are common in the PIC16F876/877 devices, temporary holding registers W\_TEMP, STATUS\_TEMP, and PCLATH\_TEMP should be placed in here. These 16 locations don't require banking and therefore, make it easier for context save and restore. The same code shown in Example 12-1 can be used.

### EXAMPLE 12-1: SAVING STATUS, W, AND PCLATH REGISTERS IN RAM

```
MOVWF  W_TEMP          ;Copy W to TEMP register
SWAPF  STATUS,W        ;Swap status to be saved into W
CLRF   STATUS           ;bank 0, regardless of current bank, Clears IRP,RP1,RP0
MOVWF  STATUS_TEMP     ;Save status to bank zero STATUS_TEMP register
MOVF   PCLATH, W       ;Only required if using pages 1, 2 and/or 3
MOVWF  PCLATH_TEMP     ;Save PCLATH into W
CLRF   PCLATH          ;Page zero, regardless of current page
:
:(ISR)                  ;(Insert user code here)
:
MOVF   PCLATH_TEMP, W  ;Restore PCLATH
MOVWF  PCLATH          ;Move W into PCLATH
SWAPF  STATUS_TEMP,W  ;Swap STATUS_TEMP register into W
                        ;(sets bank to original state)
MOVWF  STATUS          ;Move W into STATUS register
SWAPF  W_TEMP,F        ;Swap W_TEMP
SWAPF  W_TEMP,W        ;Swap W_TEMP into W
```

## 12.12 Watchdog Timer (WDT)

The Watchdog Timer is a free running on-chip RC oscillator which does not require any external components. This RC oscillator is separate from the RC oscillator of the OSC1/CLKIN pin. That means that the WDT will run, even if the clock on the OSC1/CLKIN and OSC2/CLKOUT pins of the device has been stopped, for example, by execution of a SLEEP instruction.

During normal operation, a WDT time-out generates a device RESET (Watchdog Timer Reset). If the device is in SLEEP mode, a WDT time-out causes the device to wake-up and continue with normal operation (Watchdog Timer Wake-up). The  $\overline{TO}$  bit in the STATUS register will be cleared upon a Watchdog Timer time-out.

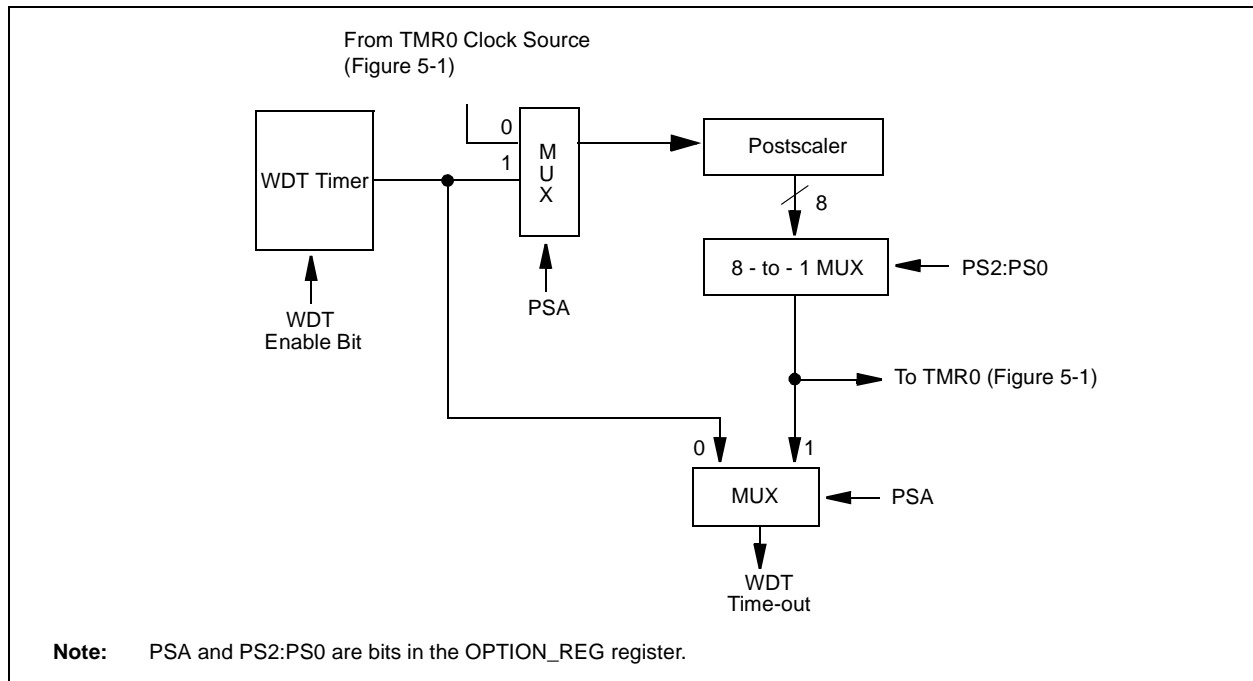
The WDT can be permanently disabled by clearing configuration bit WDTE (Section 12.1).

WDT time-out period values may be found in the Electrical Specifications section under parameter #31. Values for the WDT prescaler (actually a postscaler, but shared with the Timer0 prescaler) may be assigned using the OPTION\_REG register.

**Note 1:** The CLRWDT and SLEEP instructions clear the WDT and the postscaler, if assigned to the WDT, and prevent it from timing out and generating a device RESET condition.

**2:** When a CLRWDT instruction is executed and the prescaler is assigned to the WDT, the prescaler count will be cleared, but the prescaler assignment is not changed.

**FIGURE 12-10: WATCHDOG TIMER BLOCK DIAGRAM**



**TABLE 12-7: SUMMARY OF WATCHDOG TIMER REGISTERS**

| Address  | Name         | Bit 7 | Bit 6                | Bit 5 | Bit 4 | Bit 3                             | Bit 2 | Bit 1 | Bit 0 |
|----------|--------------|-------|----------------------|-------|-------|-----------------------------------|-------|-------|-------|
| 2007h    | Config. bits | (1)   | BODEN <sup>(1)</sup> | CP1   | CP0   | $\overline{PWRTE}$ <sup>(1)</sup> | WDTE  | FOSC1 | FOSC0 |
| 81h,181h | OPTION_REG   | RBPU  | INTEDG               | T0CS  | T0SE  | PSA                               | PS2   | PS1   | PS0   |

Legend: Shaded cells are not used by the Watchdog Timer.

**Note 1:** See Register 12-1 for operation of these bits.

## 12.13 Power-down Mode (SLEEP)

Power-down mode is entered by executing a `SLEEP` instruction.

If enabled, the Watchdog Timer will be cleared but keeps running, the `PD` bit (`STATUS<3>`) is cleared, the `TO` (`STATUS<4>`) bit is set, and the oscillator driver is turned off. The I/O ports maintain the status they had before the `SLEEP` instruction was executed (driving high, low, or hi-impedance).

For lowest current consumption in this mode, place all I/O pins at either `VDD` or `VSS`, ensure no external circuitry is drawing current from the I/O pin, power-down the A/D and disable external clocks. Pull all I/O pins that are hi-impedance inputs, high or low externally, to avoid switching currents caused by floating inputs. The `T0CKI` input should also be at `VDD` or `VSS` for lowest current consumption. The contribution from on-chip pull-ups on `PORTB` should also be considered.

The `MCLR` pin must be at a logic high level (`VIHMC`).

### 12.13.1 WAKE-UP FROM SLEEP

The device can wake-up from `SLEEP` through one of the following events:

1. External `RESET` input on `MCLR` pin.
2. Watchdog Timer Wake-up (if `WDT` was enabled).
3. Interrupt from `INT` pin, `RB` port change or peripheral interrupt.

External `MCLR` Reset will cause a device `RESET`. All other events are considered a continuation of program execution and cause a "wake-up". The `TO` and `PD` bits in the `STATUS` register can be used to determine the cause of device `RESET`. The `PD` bit, which is set on power-up, is cleared when `SLEEP` is invoked. The `TO` bit is cleared if a `WDT` time-out occurred and caused wake-up.

The following peripheral interrupts can wake the device from `SLEEP`:

1. `PSP` read or write (`PIC16F874/877` only).
2. `TMR1` interrupt. `Timer1` must be operating as an asynchronous counter.
3. `CCP` Capture mode interrupt.
4. Special event trigger (`Timer1` in Asynchronous mode using an external clock).
5. `SSP` (`START/STOP`) bit detect interrupt.
6. `SSP` transmit or receive in Slave mode (`SPI/I2C`).
7. `USART` `RX` or `TX` (Synchronous Slave mode).
8. A/D conversion (when A/D clock source is `RC`).
9. `EEPROM` write operation completion

Other peripherals cannot generate interrupts since during `SLEEP`, no on-chip clocks are present.

When the `SLEEP` instruction is being executed, the next instruction (`PC + 1`) is pre-fetched. For the device to wake-up through an interrupt event, the corresponding interrupt enable bit must be set (enabled). Wake-up is regardless of the state of the `GIE` bit. If the `GIE` bit is clear (disabled), the device continues execution at the instruction after the `SLEEP` instruction. If the `GIE` bit is set (enabled), the device executes the instruction after the `SLEEP` instruction and then branches to the interrupt address (`0004h`). In cases where the execution of the instruction following `SLEEP` is not desirable, the user should have a `NOP` after the `SLEEP` instruction.

### 12.13.2 WAKE-UP USING INTERRUPTS

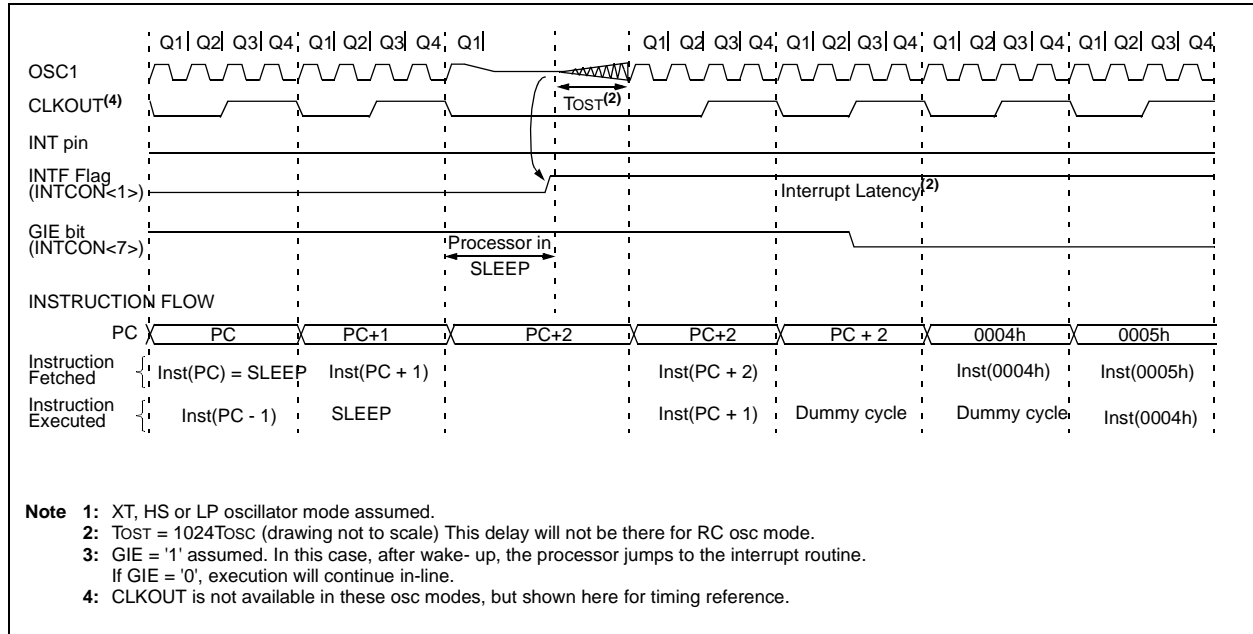
When global interrupts are disabled (`GIE` cleared) and any interrupt source has both its interrupt enable bit and interrupt flag bit set, one of the following will occur:

- If the interrupt occurs **before** the execution of a `SLEEP` instruction, the `SLEEP` instruction will complete as a `NOP`. Therefore, the `WDT` and `WDT` postscaler will not be cleared, the `TO` bit will not be set and `PD` bits will not be cleared.
- If the interrupt occurs **during or after** the execution of a `SLEEP` instruction, the device will immediately wake-up from `SLEEP`. The `SLEEP` instruction will be completely executed before the wake-up. Therefore, the `WDT` and `WDT` postscaler will be cleared, the `TO` bit will be set and the `PD` bit will be cleared.

Even if the flag bits were checked before executing a `SLEEP` instruction, it may be possible for flag bits to become set before the `SLEEP` instruction completes. To determine whether a `SLEEP` instruction executed, test the `PD` bit. If the `PD` bit is set, the `SLEEP` instruction was executed as a `NOP`.

To ensure that the `WDT` is cleared, a `CLRWDT` instruction should be executed before a `SLEEP` instruction.

**FIGURE 12-11: WAKE-UP FROM SLEEP THROUGH INTERRUPT**



## 12.14 In-Circuit Debugger

When the DEBUG bit in the configuration word is programmed to a '0', the In-Circuit Debugger functionality is enabled. This function allows simple debugging functions when used with MPLAB® ICD. When the microcontroller has this feature enabled, some of the resources are not available for general use. Table 12-8 shows which features are consumed by the background debugger.

**TABLE 12-8: DEBUGGER RESOURCES**

|                |  |
|----------------|--|
| I/O pins       | RB6, RB7                                     |
| Stack          | 1 level                                      |
| Program Memory | Address 0000h must be NOP<br>Last 100h words |
| Data Memory    | 0x070 (0x0F0, 0x170, 0x1F0)<br>0x1EB - 0x1EF |

To use the In-Circuit Debugger function of the microcontroller, the design must implement In-Circuit Serial Programming connections to MCLR/VPP, VDD, GND, RB7 and RB6. This will interface to the In-Circuit Debugger module available from Microchip, or one of the third party development tool companies.

## 12.15 Program Verification/Code Protection

If the code protection bit(s) have not been programmed, the on-chip program memory can be read out for verification purposes.

## 12.16 ID Locations

Four memory locations (2000h - 2003h) are designated as ID locations, where the user can store checksum or other code identification numbers. These locations are not accessible during normal execution, but are readable and writable during program/verify. It is recommended that only the 4 Least Significant bits of the ID location are used.

# PIC16F87X

## 12.17 In-Circuit Serial Programming

PIC16F87X microcontrollers can be serially programmed while in the end application circuit. This is simply done with two lines for clock and data and three other lines for power, ground, and the programming voltage. This allows customers to manufacture boards with unprogrammed devices, and then program the microcontroller just before shipping the product. This also allows the most recent firmware, or a custom firmware to be programmed.

When using ICSP, the part must be supplied at 4.5V to 5.5V, if a bulk erase will be executed. This includes reprogramming of the code protect, both from an on-state to off-state. For all other cases of ICSP, the part may be programmed at the normal operating voltages. This means calibration values, unique user IDs, or user code can be reprogrammed or added.

For complete details of serial programming, please refer to the EEPROM Memory Programming Specification for the PIC16F87X (DS39025).

## 12.18 Low Voltage ICSP Programming

The LVP bit of the configuration word enables low voltage ICSP programming. This mode allows the microcontroller to be programmed via ICSP using a  $V_{DD}$  source in the operating voltage range. This only means that  $V_{PP}$  does not have to be brought to  $V_{IH}$ , but can instead be left at the normal operating voltage. In this mode, the RB3/PGM pin is dedicated to the programming function and ceases to be a general purpose I/O pin. During programming,  $V_{DD}$  is applied to the  $\overline{MCLR}$  pin. To enter Programming mode,  $V_{DD}$  must be applied to the RB3/PGM, provided the LVP bit is set. The LVP bit defaults to on ('1') from the factory.

**Note 1:** The High Voltage Programming mode is always available, regardless of the state of the LVP bit, by applying  $V_{IH}$  to the  $\overline{MCLR}$  pin.

**2:** While in Low Voltage ICSP mode, the RB3 pin can no longer be used as a general purpose I/O pin.

**3:** When using low voltage ICSP programming (LVP) and the pull-ups on PORTB are enabled, bit 3 in the TRISB register must be cleared to disable the pull-up on RB3 and ensure the proper operation of the device.

**4:** RB3 should not be allowed to float if LVP is enabled. An external pull-down device should be used to default the device to normal operating mode. If RB3 floats high, the PIC16F87X device will enter Programming mode.

**5:** LVP mode is enabled by default on all devices shipped from Microchip. It can be disabled by clearing the LVP bit in the CONFIG register.

**6:** Disabling LVP will provide maximum compatibility to other PIC16CXXX devices.

If Low Voltage Programming mode is not used, the LVP bit can be programmed to a '0' and RB3/PGM becomes a digital I/O pin. However, the LVP bit may only be programmed when programming is entered with  $V_{IH}$  on  $\overline{MCLR}$ . The LVP bit can only be changed when using high voltage on  $\overline{MCLR}$ .

It should be noted, that once the LVP bit is programmed to 0, only the High Voltage Programming mode is available and only High Voltage Programming mode can be used to program the device.

When using low voltage ICSP, the part must be supplied at 4.5V to 5.5V, if a bulk erase will be executed. This includes reprogramming of the code protect bits from an on-state to off-state. For all other cases of low voltage ICSP, the part may be programmed at the normal operating voltage. This means calibration values, unique user IDs, or user code can be reprogrammed or added.

## 13.0 INSTRUCTION SET SUMMARY

Each PIC16F87X instruction is a 14-bit word, divided into an OPCODE which specifies the instruction type and one or more operands which further specify the operation of the instruction. The PIC16F87X instruction set summary in Table 13-2 lists **byte-oriented**, **bit-oriented**, and **literal and control** operations. Table 13-1 shows the opcode field descriptions.

For **byte-oriented** instructions, 'f' represents a file register designator and 'd' represents a destination designator. The file register designator specifies which file register is to be used by the instruction.

The destination designator specifies where the result of the operation is to be placed. If 'd' is zero, the result is placed in the W register. If 'd' is one, the result is placed in the file register specified in the instruction.

For **bit-oriented** instructions, 'b' represents a bit field designator which selects the number of the bit affected by the operation, while 'f' represents the address of the file in which the bit is located.

For **literal and control** operations, 'k' represents an eight or eleven bit constant or literal value.

**TABLE 13-1: OPCODE FIELD DESCRIPTIONS**

| Field | Description   |
|-------|---|
| f     | Register file address (0x00 to 0x7F)  |
| w     | Working register (accumulator)  |
| b     | Bit address within an 8-bit file register   |
| k     | Literal field, constant data or label   |
| x     | Don't care location (= 0 or 1).<br>The assembler will generate code with x = 0.<br>It is the recommended form of use for compatibility with all Microchip software tools. |
| d     | Destination select; d = 0: store result in W,<br>d = 1: store result in file register f.<br>Default is d = 1.   |
| PC    | Program Counter   |
| TO    | Time-out bit  |
| PD    | Power-down bit  |

The instruction set is highly orthogonal and is grouped into three basic categories:

- **Byte-oriented** operations
- **Bit-oriented** operations
- **Literal and control** operations

All instructions are executed within one single instruction cycle, unless a conditional test is true or the program counter is changed as a result of an instruction. In this case, the execution takes two instruction cycles with the second cycle executed as a NOP. One instruction cycle consists of four oscillator periods. Thus, for an oscillator frequency of 4 MHz, the normal instruction execution time is 1 μs. If a conditional test is true, or the program counter is changed as a result of an instruction, the instruction execution time is 2 μs.

Table 13-2 lists the instructions recognized by the MPASM™ assembler.

Figure 13-1 shows the general formats that the instructions can have.

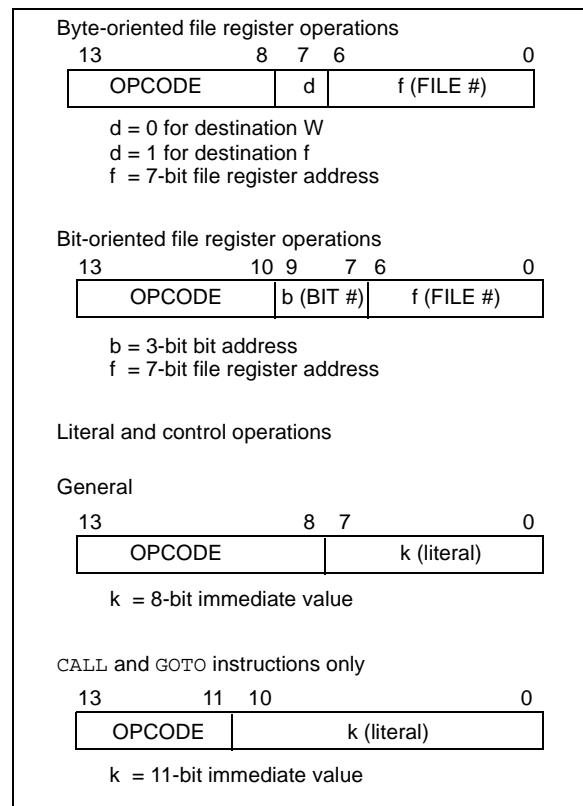
**Note:** To maintain upward compatibility with future PIC16F87X products, do not use the OPTION and TRIS instructions.

All examples use the following format to represent a hexadecimal number:

0xhh

where h signifies a hexadecimal digit.

**FIGURE 13-1: GENERAL FORMAT FOR INSTRUCTIONS**



A description of each instruction is available in the PIC® MCU Mid-Range Reference Manual, (DS33023).

# PIC16F87X

**TABLE 13-2: PIC16F87X INSTRUCTION SET**

| Mnemonic,<br>Operands                         | Description | Cycles                       | 14-Bit Opcode |    |      |      | Status<br>Affected | Notes              |       |
|---|-------------|------------------------------|---------------|----|------|------|--------------------|--------------------|-------|
|   |             |                              | MSb           |    | LSb  |      |                    |                    |       |
| <b>BYTE-ORIENTED FILE REGISTER OPERATIONS</b> |             |                              |               |    |      |      |                    |                    |       |
| ADDWF   | f, d        | Add W and f                  | 1             | 00 | 0111 | dfff | ffff               | C,DC,Z             | 1,2   |
| ANDWF   | f, d        | AND W with f                 | 1             | 00 | 0101 | dfff | ffff               | Z                  | 1,2   |
| CLRF  | f           | Clear f                      | 1             | 00 | 0001 | 1fff | ffff               | Z                  | 2     |
| CLRWF   | -           | Clear W                      | 1             | 00 | 0001 | 0xxx | xxxx               | Z                  |       |
| COMF  | f, d        | Complement f                 | 1             | 00 | 1001 | dfff | ffff               | Z                  | 1,2   |
| DECf  | f, d        | Decrement f                  | 1             | 00 | 0011 | dfff | ffff               | Z                  | 1,2   |
| DECFSZ  | f, d        | Decrement f, Skip if 0       | 1(2)          | 00 | 1011 | dfff | ffff               |                    | 1,2,3 |
| INCF  | f, d        | Increment f                  | 1             | 00 | 1010 | dfff | ffff               | Z                  | 1,2   |
| INCFSSZ                                       | f, d        | Increment f, Skip if 0       | 1(2)          | 00 | 1111 | dfff | ffff               |                    | 1,2,3 |
| IORWF   | f, d        | Inclusive OR W with f        | 1             | 00 | 0100 | dfff | ffff               | Z                  | 1,2   |
| MOVF  | f, d        | Move f                       | 1             | 00 | 1000 | dfff | ffff               | Z                  | 1,2   |
| MOVWF   | f           | Move W to f                  | 1             | 00 | 0000 | 1fff | ffff               |                    |       |
| NOP   | -           | No Operation                 | 1             | 00 | 0000 | 0xx0 | 0000               |                    |       |
| RLF   | f, d        | Rotate Left f through Carry  | 1             | 00 | 1101 | dfff | ffff               | C                  | 1,2   |
| RRF   | f, d        | Rotate Right f through Carry | 1             | 00 | 1100 | dfff | ffff               | C                  | 1,2   |
| SUBWF   | f, d        | Subtract W from f            | 1             | 00 | 0010 | dfff | ffff               | C,DC,Z             | 1,2   |
| SWAPF   | f, d        | Swap nibbles in f            | 1             | 00 | 1110 | dfff | ffff               |                    | 1,2   |
| XORWF   | f, d        | Exclusive OR W with f        | 1             | 00 | 0110 | dfff | ffff               | Z                  | 1,2   |
| <b>BIT-ORIENTED FILE REGISTER OPERATIONS</b>  |             |                              |               |    |      |      |                    |                    |       |
| BCF   | f, b        | Bit Clear f                  | 1             | 01 | 00bb | bfff | ffff               |                    | 1,2   |
| BSF   | f, b        | Bit Set f                    | 1             | 01 | 01bb | bfff | ffff               |                    | 1,2   |
| BTFSC   | f, b        | Bit Test f, Skip if Clear    | 1 (2)         | 01 | 10bb | bfff | ffff               |                    | 3     |
| BTFSS   | f, b        | Bit Test f, Skip if Set      | 1 (2)         | 01 | 11bb | bfff | ffff               |                    | 3     |
| <b>LITERAL AND CONTROL OPERATIONS</b>         |             |                              |               |    |      |      |                    |                    |       |
| ADDLW   | k           | Add literal and W            | 1             | 11 | 111x | kkkk | kkkk               | C,DC,Z             |       |
| ANDLW   | k           | AND literal with W           | 1             | 11 | 1001 | kkkk | kkkk               | Z                  |       |
| CALL  | k           | Call subroutine              | 2             | 10 | 0kkk | kkkk | kkkk               |                    |       |
| CLRWDTC                                       | -           | Clear Watchdog Timer         | 1             | 00 | 0000 | 0110 | 0100               | $\overline{TO,PD}$ |       |
| GOTO  | k           | Go to address                | 2             | 10 | 1kkk | kkkk | kkkk               |                    |       |
| IORLW   | k           | Inclusive OR literal with W  | 1             | 11 | 1000 | kkkk | kkkk               | Z                  |       |
| MOVLW   | k           | Move literal to W            | 1             | 11 | 00xx | kkkk | kkkk               |                    |       |
| RETFIE  | -           | Return from interrupt        | 2             | 00 | 0000 | 0000 | 1001               |                    |       |
| RETLW   | k           | Return with literal in W     | 2             | 11 | 01xx | kkkk | kkkk               |                    |       |
| RETURN  | -           | Return from Subroutine       | 2             | 00 | 0000 | 0000 | 1000               |                    |       |
| SLEEP   | -           | Go into standby mode         | 1             | 00 | 0000 | 0110 | 0011               | $\overline{TO,PD}$ |       |
| SUBLW   | k           | Subtract W from literal      | 1             | 11 | 110x | kkkk | kkkk               | C,DC,Z             |       |
| XORLW   | k           | Exclusive OR literal with W  | 1             | 11 | 1010 | kkkk | kkkk               | Z                  |       |

- Note 1:** When an I/O register is modified as a function of itself ( e.g., `MOVWF PORTB, 1`), the value used will be that value present on the pins themselves. For example, if the data latch is '1' for a pin configured as input and is driven low by an external device, the data will be written back with a '0'.
- Note 2:** If this instruction is executed on the TMR0 register (and, where applicable,  $d = 1$ ), the prescaler will be cleared if assigned to the Timer0 module.
- Note 3:** If Program Counter (PC) is modified, or a conditional test is true, the instruction requires two cycles. The second cycle is executed as a NOP.

**Note:** Additional information on the mid-range instruction set is available in the PIC<sup>®</sup> MCU Mid-Range Family Reference Manual (DS33023).



## 13.1 Instruction Descriptions

### **ADDLW**      **Add Literal and W**

**Syntax:**      `[label] ADDLW k`

**Operands:**     $0 \leq k \leq 255$

**Operation:**     $(W) + k \rightarrow (W)$

**Status Affected:** C, DC, Z

**Description:**    The contents of the W register are added to the eight bit literal 'k' and the result is placed in the W register.

### **ADDWF**      **Add W and f**

**Syntax:**      `[label] ADDWF f,d`

**Operands:**     $0 \leq f \leq 127$   
 $d \in [0,1]$

**Operation:**     $(W) + (f) \rightarrow (\text{destination})$

**Status Affected:** C, DC, Z

**Description:**    Add the contents of the W register with register 'f'. If 'd' is 0, the result is stored in the W register. If 'd' is 1, the result is stored back in register 'f'.

### **ANDLW**      **AND Literal with W**

**Syntax:**      `[label] ANDLW k`

**Operands:**     $0 \leq k \leq 255$

**Operation:**     $(W) .\text{AND.} (k) \rightarrow (W)$

**Status Affected:** Z

**Description:**    The contents of W register are AND'ed with the eight bit literal 'k'. The result is placed in the W register.

### **ANDWF**      **AND W with f**

**Syntax:**      `[label] ANDWF f,d`

**Operands:**     $0 \leq f \leq 127$   
 $d \in [0,1]$

**Operation:**     $(W) .\text{AND.} (f) \rightarrow (\text{destination})$

**Status Affected:** Z

**Description:**    AND the W register with register 'f'. If 'd' is 0, the result is stored in the W register. If 'd' is 1, the result is stored back in register 'f'.

### **BCF**          **Bit Clear f**

**Syntax:**      `[label] BCF f,b`

**Operands:**     $0 \leq f \leq 127$   
 $0 \leq b \leq 7$

**Operation:**     $0 \rightarrow (f<b>)$

**Status Affected:** None

**Description:**    Bit 'b' in register 'f' is cleared.

### **BSF**          **Bit Set f**

**Syntax:**      `[label] BSF f,b`

**Operands:**     $0 \leq f \leq 127$   
 $0 \leq b \leq 7$

**Operation:**     $1 \rightarrow (f<b>)$

**Status Affected:** None

**Description:**    Bit 'b' in register 'f' is set.

### **BTFSS**      **Bit Test f, Skip if Set**

**Syntax:**      `[label] BTFSS f,b`

**Operands:**     $0 \leq f \leq 127$   
 $0 \leq b < 7$

**Operation:**    skip if  $(f<b>) = 1$

**Status Affected:** None

**Description:**    If bit 'b' in register 'f' is '0', the next instruction is executed. If bit 'b' is '1', then the next instruction is discarded and a NOP is executed instead, making this a 2TCY instruction.

### **BTFSC**      **Bit Test, Skip if Clear**

**Syntax:**      `[label] BTFSC f,b`

**Operands:**     $0 \leq f \leq 127$   
 $0 \leq b \leq 7$

**Operation:**    skip if  $(f<b>) = 0$

**Status Affected:** None

**Description:**    If bit 'b' in register 'f' is '1', the next instruction is executed. If bit 'b', in register 'f', is '0', the next instruction is discarded, and a NOP is executed instead, making this a 2TCY instruction.

# PIC16F87X

---

## **CALL**                      **Call Subroutine**

---

Syntax:                    [*label*] CALL *k*  
Operands:                 $0 \leq k \leq 2047$   
Operation:                (PC)+ 1 → TOS,  
                              *k* → PC<10:0>,  
                              (PCLATH<4:3>) → PC<12:11>  
Status Affected:        None  
Description:              Call Subroutine. First, return address (PC+1) is pushed onto the stack. The eleven-bit immediate address is loaded into PC bits <10:0>. The upper bits of the PC are loaded from PCLATH. CALL is a two-cycle instruction.

## **CLRWDT**                    **Clear Watchdog Timer**

---

Syntax:                    [*label*] CLRWDT  
Operands:                None  
Operation:                00h → WDT  
                              0 → WDT prescaler,  
                              1 →  $\overline{TO}$   
                              1 →  $\overline{PD}$   
Status Affected:         $\overline{TO}$ ,  $\overline{PD}$   
Description:              CLRWDT instruction resets the Watchdog Timer. It also resets the prescaler of the WDT. Status bits  $\overline{TO}$  and  $\overline{PD}$  are set.

## **CLRF**                      **Clear f**

---

Syntax:                    [*label*] CLRF *f*  
Operands:                 $0 \leq f \leq 127$   
Operation:                00h → (*f*)  
                              1 → Z  
Status Affected:        Z  
Description:              The contents of register 'f' are cleared and the Z bit is set.

## **COMF**                      **Complement f**

---

Syntax:                    [*label*] COMF *f*,*d*  
Operands:                 $0 \leq f \leq 127$   
                              *d* ∈ [0,1]  
Operation:                ( $\bar{f}$ ) → (destination)  
Status Affected:        Z  
Description:              The contents of register 'f' are complemented. If 'd' is 0, the result is stored in W. If 'd' is 1, the result is stored back in register 'f'.

## **CLRW**                      **Clear W**

---

Syntax:                    [*label*] CLRW  
Operands:                None  
Operation:                00h → (W)  
                              1 → Z  
Status Affected:        Z  
Description:              W register is cleared. Zero bit (Z) is set.

## **DECF**                      **Decrement f**

---

Syntax:                    [*label*] DECF *f*,*d*  
Operands:                 $0 \leq f \leq 127$   
                              *d* ∈ [0,1]  
Operation:                (*f*) - 1 → (destination)  
Status Affected:        Z  
Description:              Decrement register 'f'. If 'd' is 0, the result is stored in the W register. If 'd' is 1, the result is stored back in register 'f'.

---

## DECFSZ      Decrement f, Skip if 0

---

Syntax:            [ *label* ] DECFSZ f,d

Operands:         $0 \leq f \leq 127$   
 $d \in [0,1]$

Operation:         $(f) - 1 \rightarrow$  (destination);  
 skip if result = 0

Status Affected: None

Description:     The contents of register 'f' are decremented. If 'd' is 0, the result is placed in the W register. If 'd' is 1, the result is placed back in register 'f'.  
 If the result is 1, the next instruction is executed. If the result is 0, then a NOP is executed instead making it a 2TCY instruction.

---

## INCFSZ      Increment f, Skip if 0

---

Syntax:            [ *label* ] INCFSZ f,d

Operands:         $0 \leq f \leq 127$   
 $d \in [0,1]$

Operation:         $(f) + 1 \rightarrow$  (destination),  
 skip if result = 0

Status Affected: None

Description:     The contents of register 'f' are incremented. If 'd' is 0, the result is placed in the W register. If 'd' is 1, the result is placed back in register 'f'.  
 If the result is 1, the next instruction is executed. If the result is 0, a NOP is executed instead, making it a 2TCY instruction.

---

## GOTO        Unconditional Branch

---

Syntax:            [ *label* ] GOTO k

Operands:         $0 \leq k \leq 2047$

Operation:         $k \rightarrow$  PC<10:0>  
 PCLATH<4:3>  $\rightarrow$  PC<12:11>

Status Affected: None

Description:     GOTO is an unconditional branch. The eleven-bit immediate value is loaded into PC bits <10:0>. The upper bits of PC are loaded from PCLATH<4:3>. GOTO is a two-cycle instruction.

---

## IORLW      Inclusive OR Literal with W

---

Syntax:            [ *label* ] IORLW k

Operands:         $0 \leq k \leq 255$

Operation:        (W) .OR. k  $\rightarrow$  (W)

Status Affected: Z

Description:     The contents of the W register are OR'ed with the eight bit literal 'k'. The result is placed in the W register.

---

## INCF        Increment f

---

Syntax:            [ *label* ] INCF f,d

Operands:         $0 \leq f \leq 127$   
 $d \in [0,1]$

Operation:         $(f) + 1 \rightarrow$  (destination)

Status Affected: Z

Description:     The contents of register 'f' are incremented. If 'd' is 0, the result is placed in the W register. If 'd' is 1, the result is placed back in register 'f'.

---

## IORWF      Inclusive OR W with f

---

Syntax:            [ *label* ] IORWF f,d

Operands:         $0 \leq f \leq 127$   
 $d \in [0,1]$

Operation:        (W) .OR. (f)  $\rightarrow$  (destination)

Status Affected: Z

Description:     Inclusive OR the W register with register 'f'. If 'd' is 0 the result is placed in the W register. If 'd' is 1 the result is placed back in register 'f'.

# PIC16F87X

---

## **MOVF**      **Move f**

---

Syntax:      [ *label* ] MOVF f,d  
Operands:     $0 \leq f \leq 127$   
               $d \in [0,1]$   
Operation:    (f) → (destination)  
Status Affected: Z  
Description:    The contents of register f are moved to a destination dependant upon the status of d. If d = 0, destination is W register. If d = 1, the destination is file register f itself. d = 1 is useful to test a file register, since status flag Z is affected.

## **MOVLW**      **Move Literal to W**

---

Syntax:      [ *label* ] MOVLW k  
Operands:     $0 \leq k \leq 255$   
Operation:     $k \rightarrow (W)$   
Status Affected: None  
Description:    The eight bit literal 'k' is loaded into W register. The don't cares will assemble as 0's.

## **MOVWF**      **Move W to f**

---

Syntax:      [ *label* ] MOVWF f  
Operands:     $0 \leq f \leq 127$   
Operation:    (W) → (f)  
Status Affected: None  
Description:    Move data from W register to register 'f'.

## **NOP**      **No Operation**

---

Syntax:      [ *label* ] NOP  
Operands:    None  
Operation:    No operation  
Status Affected: None  
Description:    No operation.

## **RETFIE**      **Return from Interrupt**

---

Syntax:      [ *label* ] RETFIE  
Operands:    None  
Operation:    TOS → PC,  
              1 → GIE  
Status Affected: None

## **RETLW**      **Return with Literal in W**

---

Syntax:      [ *label* ] RETLW k  
Operands:     $0 \leq k \leq 255$   
Operation:     $k \rightarrow (W)$ ;  
              TOS → PC  
Status Affected: None  
Description:    The W register is loaded with the eight bit literal 'k'. The program counter is loaded from the top of the stack (the return address). This is a two-cycle instruction.

## RLF Rotate Left f through Carry

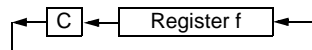
**Syntax:** [ *label* ] RLF f,d

**Operands:**  $0 \leq f \leq 127$   
 $d \in [0,1]$

**Operation:** See description below

**Status Affected:** C

**Description:** The contents of register 'f' are rotated one bit to the left through the Carry Flag. If 'd' is 0, the result is placed in the W register. If 'd' is 1, the result is stored back in register 'f'.



## SLEEP

**Syntax:** [ *label* ] SLEEP

**Operands:** None

**Operation:** 00h → WDT,  
0 → WDT prescaler,  
1 →  $\overline{TO}$ ,  
0 →  $\overline{PD}$

**Status Affected:**  $\overline{TO}$ ,  $\overline{PD}$

**Description:** The power-down status bit,  $\overline{PD}$  is cleared. Time-out status bit,  $\overline{TO}$  is set. Watchdog Timer and its prescaler are cleared. The processor is put into SLEEP mode with the oscillator stopped.

## RETURN Return from Subroutine

**Syntax:** [ *label* ] RETURN

**Operands:** None

**Operation:** TOS → PC

**Status Affected:** None

**Description:** Return from subroutine. The stack is POPed and the top of the stack (TOS) is loaded into the program counter. This is a two-cycle instruction.

## SUBLW Subtract W from Literal

**Syntax:** [ *label* ] SUBLW k

**Operands:**  $0 \leq k \leq 255$

**Operation:**  $k - (W) \rightarrow (W)$

**Status Affected:** C, DC, Z

**Description:** The W register is subtracted (2's complement method) from the eight-bit literal 'k'. The result is placed in the W register.

## RRF Rotate Right f through Carry

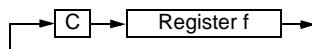
**Syntax:** [ *label* ] RRF f,d

**Operands:**  $0 \leq f \leq 127$   
 $d \in [0,1]$

**Operation:** See description below

**Status Affected:** C

**Description:** The contents of register 'f' are rotated one bit to the right through the Carry Flag. If 'd' is 0, the result is placed in the W register. If 'd' is 1, the result is placed back in register 'f'.



## SUBWF Subtract W from f

**Syntax:** [ *label* ] SUBWF f,d

**Operands:**  $0 \leq f \leq 127$   
 $d \in [0,1]$

**Operation:**  $(f) - (W) \rightarrow (\text{destination})$

**Status Affected:** C, DC, Z

**Description:** Subtract (2's complement method) W register from register 'f'. If 'd' is 0, the result is stored in the W register. If 'd' is 1, the result is stored back in register 'f'.

# PIC16F87X

---

## **SWAPF**      **Swap Nibbles in f**

---

Syntax:      [*label*] SWAPF f,d

Operands:     $0 \leq f \leq 127$   
               $d \in [0,1]$

Operation:    ( $f\langle 3:0 \rangle \rightarrow$  (destination $\langle 7:4 \rangle$ ),  
                  ( $f\langle 7:4 \rangle \rightarrow$  (destination $\langle 3:0 \rangle$ ))

Status Affected: None

Description:    The upper and lower nibbles of register 'f' are exchanged. If 'd' is 0, the result is placed in the W register. If 'd' is 1, the result is placed in register 'f'.

## **XORWF**      **Exclusive OR W with f**

---

Syntax:      [*label*] XORWF f,d

Operands:     $0 \leq f \leq 127$   
               $d \in [0,1]$

Operation:    (W) .XOR. (f)  $\rightarrow$  (destination)

Status Affected: Z

Description:    Exclusive OR the contents of the W register with register 'f'. If 'd' is 0, the result is stored in the W register. If 'd' is 1, the result is stored back in register 'f'.

## **XORLW**      **Exclusive OR Literal with W**

---

Syntax:      [*label*] XORLW k

Operands:     $0 \leq k \leq 255$

Operation:    (W) .XOR. k  $\rightarrow$  (W)

Status Affected: Z

Description:    The contents of the W register are XOR'ed with the eight-bit literal 'k'. The result is placed in the W register.

## 14.0 DEVELOPMENT SUPPORT

The PIC<sup>®</sup> microcontrollers are supported with a full range of hardware and software development tools:

- Integrated Development Environment
  - MPLAB<sup>®</sup> IDE Software
- Assemblers/Compilers/Linkers
  - MPASM<sup>™</sup> Assembler
  - MPLAB C17 and MPLAB C18 C Compilers
  - MPLINK<sup>™</sup> Object Linker/  
MPLIB<sup>™</sup> Object Librarian
- Simulators
  - MPLAB SIM Software Simulator
- Emulators
  - MPLAB ICE 2000 In-Circuit Emulator
  - ICEPIC<sup>™</sup> In-Circuit Emulator
- In-Circuit Debugger
  - MPLAB ICD for PIC16F87X
- Device Programmers
  - PRO MATE<sup>®</sup> II Universal Device Programmer
  - PICSTART<sup>®</sup> Plus Entry-Level Development Programmer
- Low Cost Demonstration Boards
  - PICDEM<sup>™</sup> 1 Demonstration Board
  - PICDEM 2 Demonstration Board
  - PICDEM 3 Demonstration Board
  - PICDEM 17 Demonstration Board
  - KEELOQ<sup>®</sup> Demonstration Board

### 14.1 MPLAB Integrated Development Environment Software

The MPLAB IDE software brings an ease of software development previously unseen in the 8-bit microcontroller market. The MPLAB IDE is a Windows<sup>®</sup>-based application that contains:

- An interface to debugging tools
  - simulator
  - programmer (sold separately)
  - emulator (sold separately)
  - in-circuit debugger (sold separately)
- A full-featured editor
- A project manager
- Customizable toolbar and key mapping
- A status bar
- On-line help

The MPLAB IDE allows you to:

- Edit your source files (either assembly or 'C')
- One touch assemble (or compile) and download to PIC MCU emulator and simulator tools (automatically updates all project information)
- Debug using:
  - source files
  - absolute listing file
  - machine code

The ability to use MPLAB IDE with multiple debugging tools allows users to easily switch from the cost-effective simulator to a full-featured emulator with minimal retraining.

### 14.2 MPASM Assembler

The MPASM assembler is a full-featured universal macro assembler for all PIC<sup>®</sup> MCUs.

The MPASM assembler has a command line interface and a Windows shell. It can be used as a stand-alone application on a Windows 3.x or greater system, or it can be used through MPLAB IDE. The MPASM assembler generates relocatable object files for the MPLINK object linker, Intel<sup>®</sup> standard HEX files, MAP files to detail memory usage and symbol reference, an absolute LST file that contains source lines and generated machine code, and a COD file for debugging.

The MPASM assembler features include:

- Integration into MPLAB IDE projects.
- User-defined macros to streamline assembly code.
- Conditional assembly for multi-purpose source files.
- Directives that allow complete control over the assembly process.

### 14.3 MPLAB C17 and MPLAB C18 C Compilers

The MPLAB C17 and MPLAB C18 Code Development Systems are complete ANSI 'C' compilers for Microchip's PIC17CXXX and PIC18CXXX family of microcontrollers, respectively. These compilers provide powerful integration capabilities and ease of use not found with other compilers.

For easier source level debugging, the compilers provide symbol information that is compatible with the MPLAB IDE memory display.

## 14.4 MPLINK Object Linker/ MPLIB Object Librarian

The MPLINK object linker combines relocatable objects created by the MPASM assembler and the MPLAB C17 and MPLAB C18 C compilers. It can also link relocatable objects from pre-compiled libraries, using directives from a linker script.

The MPLIB object librarian is a librarian for pre-compiled code to be used with the MPLINK object linker. When a routine from a library is called from another source file, only the modules that contain that routine will be linked in with the application. This allows large libraries to be used efficiently in many different applications. The MPLIB object librarian manages the creation and modification of library files.

The MPLINK object linker features include:

- Integration with MPASM assembler and MPLAB C17 and MPLAB C18 C compilers.
- Allows all memory areas to be defined as sections to provide link-time flexibility.

The MPLIB object librarian features include:

- Easier linking because single libraries can be included instead of many smaller files.
- Helps keep code maintainable by grouping related modules together.
- Allows libraries to be created and modules to be added, listed, replaced, deleted or extracted.

## 14.5 MPLAB SIM Software Simulator

The MPLAB SIM software simulator allows code development in a PC-hosted environment by simulating the PIC MCU series microcontrollers on an instruction level. On any given instruction, the data areas can be examined or modified and stimuli can be applied from a file, or user-defined key press, to any of the pins. The execution can be performed in single step, execute until break, or trace mode.

The MPLAB SIM simulator fully supports symbolic debugging using the MPLAB C17 and the MPLAB C18 C compilers and the MPASM assembler. The software simulator offers the flexibility to develop and debug code outside of the laboratory environment, making it an excellent multi-project software development tool.

## 14.6 MPLAB ICE High Performance Universal In-Circuit Emulator with MPLAB IDE

The MPLAB ICE universal in-circuit emulator is intended to provide the product development engineer with a complete microcontroller design tool set for PIC MCU microcontrollers (MCUs). Software control of the MPLAB ICE in-circuit emulator is provided by the MPLAB Integrated Development Environment (IDE), which allows editing, building, downloading and source debugging from a single environment.

The MPLAB ICE 2000 is a full-featured emulator system with enhanced trace, trigger and data monitoring features. Interchangeable processor modules allow the system to be easily reconfigured for emulation of different processors. The universal architecture of the MPLAB ICE in-circuit emulator allows expansion to support new PIC microcontrollers.

The MPLAB ICE in-circuit emulator system has been designed as a real-time emulation system, with advanced features that are generally found on more expensive development tools. The PC platform and Microsoft® Windows environment were chosen to best make these features available to you, the end user.

## 14.7 ICEPIC In-Circuit Emulator

The ICEPIC low cost, in-circuit emulator is a solution for the Microchip Technology PIC16C5X, PIC16C6X, PIC16C7X and PIC16CXXX families of 8-bit One-Time-Programmable (OTP) microcontrollers. The modular system can support different subsets of PIC16C5X or PIC16CXXX products through the use of interchangeable personality modules, or daughter boards. The emulator is capable of emulating without target application circuitry being present.



## 14.8 MPLAB ICD In-Circuit Debugger

Microchip's In-Circuit Debugger, MPLAB ICD, is a powerful, low cost, run-time development tool. This tool is based on the FLASH PIC16F87X and can be used to develop for this and other PIC microcontrollers from the PIC16CXXX family. The MPLAB ICD utilizes the in-circuit debugging capability built into the PIC16F87X. This feature, along with Microchip's In-Circuit Serial Programming™ protocol, offers cost-effective in-circuit FLASH debugging from the graphical user interface of the MPLAB Integrated Development Environment. This enables a designer to develop and debug source code by watching variables, single-stepping and setting break points. Running at full speed enables testing hardware in real-time.

## 14.9 PRO MATE II Universal Device Programmer

The PRO MATE II universal device programmer is a full-featured programmer, capable of operating in stand-alone mode, as well as PC-hosted mode. The PRO MATE II device programmer is CE compliant.

The PRO MATE II device programmer has programmable VDD and VPP supplies, which allow it to verify programmed memory at VDD min and VDD max for maximum reliability. It has an LCD display for instructions and error messages, keys to enter commands and a modular detachable socket assembly to support various package types. In stand-alone mode, the PRO MATE II device programmer can read, verify, or program PIC devices. It can also set code protection in this mode.

## 14.10 PICSTART Plus Entry Level Development Programmer

The PICSTART Plus development programmer is an easy-to-use, low cost, prototype programmer. It connects to the PC via a COM (RS-232) port. MPLAB Integrated Development Environment software makes using the programmer simple and efficient.

The PICSTART Plus development programmer supports all PIC devices with up to 40 pins. Larger pin count devices, such as the PIC16C92X and PIC17C76X, may be supported with an adapter socket. The PICSTART Plus development programmer is CE compliant.

## 14.11 PICDEM 1 Low Cost PIC MCU Demonstration Board

The PICDEM 1 demonstration board is a simple board which demonstrates the capabilities of several of Microchip's microcontrollers. The microcontrollers supported are: PIC16C5X (PIC16C54 to PIC16C58A), PIC16C61, PIC16C62X, PIC16C71, PIC16C8X, PIC17C42, PIC17C43 and PIC17C44. All necessary hardware and software is included to run basic demo programs. The user can program the sample microcontrollers provided with the PICDEM 1 demonstration board on a PRO MATE II device programmer, or a PICSTART Plus development programmer, and easily test firmware. The user can also connect the PICDEM 1 demonstration board to the MPLAB ICE in-circuit emulator and download the firmware to the emulator for testing. A prototype area is available for the user to build some additional hardware and connect it to the microcontroller socket(s). Some of the features include an RS-232 interface, a potentiometer for simulated analog input, push button switches and eight LEDs connected to PORTB.

## 14.12 PICDEM 2 Low Cost PIC16CXX Demonstration Board

The PICDEM 2 demonstration board is a simple demonstration board that supports the PIC16C62, PIC16C64, PIC16C65, PIC16C73 and PIC16C74 microcontrollers. All the necessary hardware and software is included to run the basic demonstration programs. The user can program the sample microcontrollers provided with the PICDEM 2 demonstration board on a PRO MATE II device programmer, or a PICSTART Plus development programmer, and easily test firmware. The MPLAB ICE in-circuit emulator may also be used with the PICDEM 2 demonstration board to test firmware. A prototype area has been provided to the user for adding additional hardware and connecting it to the microcontroller socket(s). Some of the features include a RS-232 interface, push button switches, a potentiometer for simulated analog input, a serial EEPROM to demonstrate usage of the I<sup>2</sup>C™ bus and separate headers for connection to an LCD module and a keypad.

# PIC16F87X

---

## 14.13 PICDEM 3 Low Cost PIC16CXXX Demonstration Board

The PICDEM 3 demonstration board is a simple demonstration board that supports the PIC16C923 and PIC16C924 in the PLCC package. It will also support future 44-pin PLCC microcontrollers with an LCD Module. All the necessary hardware and software is included to run the basic demonstration programs. The user can program the sample microcontrollers provided with the PICDEM 3 demonstration board on a PRO MATE II device programmer, or a PICSTART Plus development programmer with an adapter socket, and easily test firmware. The MPLAB ICE in-circuit emulator may also be used with the PICDEM 3 demonstration board to test firmware. A prototype area has been provided to the user for adding hardware and connecting it to the microcontroller socket(s). Some of the features include a RS-232 interface, push button switches, a potentiometer for simulated analog input, a thermistor and separate headers for connection to an external LCD module and a keypad. Also provided on the PICDEM 3 demonstration board is a LCD panel, with 4 commons and 12 segments, that is capable of displaying time, temperature and day of the week. The PICDEM 3 demonstration board provides an additional RS-232 interface and Windows software for showing the demultiplexed LCD signals on a PC. A simple serial interface allows the user to construct a hardware demultiplexer for the LCD signals.

## 14.14 PICDEM 17 Demonstration Board

The PICDEM 17 demonstration board is an evaluation board that demonstrates the capabilities of several Microchip microcontrollers, including PIC17C752, PIC17C756A, PIC17C762 and PIC17C766. All necessary hardware is included to run basic demo programs, which are supplied on a 3.5-inch disk. A programmed sample is included and the user may erase it and program it with the other sample programs using the PRO MATE II device programmer, or the PICSTART Plus development programmer, and easily debug and test the sample code. In addition, the PICDEM 17 demonstration board supports downloading of programs to and executing out of external FLASH memory on board. The PICDEM 17 demonstration board is also usable with the MPLAB ICE in-circuit emulator, or the PICMASTER emulator and all of the sample programs can be run and modified using either emulator. Additionally, a generous prototype area is available for user hardware.

## 14.15 KEELOQ Evaluation and Programming Tools

KEELOQ evaluation and programming tools support Microchip's HCS Secure Data Products. The HCS evaluation kit includes a LCD display to show changing codes, a decoder to decode transmissions and a programming interface to program test transmitters.

**TABLE 14-1: DEVELOPMENT TOOLS FROM MICROCHIP**

| Tools   | PIC12CXXX | PIC14000 | PIC16C5X | PIC16C6X | PIC16CXXX | PIC16F62X | PIC16C7X | PIC16C7XX | PIC16C8X | PIC16F8XX | PIC16C9XX | PIC17C4X | PIC17C7XX | PIC18CXX2 | 24CXX/<br>25CXX/<br>93CXX | HCSXX | MCRFXXX | MCP2510 |
|---|-----------|----------|----------|----------|-----------|-----------|----------|-----------|----------|-----------|-----------|----------|-----------|-----------|---------------------------|-------|---------|---------|
| MPLAB® Integrated Development Environment         | ✓         | ✓        | ✓        | ✓        | ✓         | ✓         | ✓        | ✓         | ✓        | ✓         | ✓         | ✓        | ✓         | ✓         | ✓                         |       |         |         |
| MPLAB® C17 C Compiler                             |           |          |          |          |           |           |          |           |          |           |           | ✓        | ✓         | ✓         |                           |       |         |         |
| MPLAB® C18 C Compiler                             |           |          |          |          |           |           |          |           |          |           |           |          |           |           |                           |       |         |         |
| MPASM™ Assembler/<br>MP LINK™ Object Linker       | ✓         | ✓        | ✓        | ✓        | ✓         | ✓         | ✓        | ✓         | ✓        | ✓         | ✓         | ✓        | ✓         | ✓         | ✓                         | ✓     |         |         |
| MPLAB® ICE In-Circuit Emulator                    | ✓         | ✓        | ✓        | ✓        | ✓         | ✓         | ✓        | ✓         | ✓        | ✓         | ✓         | ✓        | ✓         | ✓         | ✓                         |       |         |         |
| ICEPIC™ In-Circuit Emulator                       | ✓         |          | ✓        | ✓        | ✓         |           | ✓        | ✓         | ✓        |           | ✓         |          |           |           |                           |       |         |         |
| MPLAB® ICD In-Circuit Debugger                    |           |          |          | ✓*       |           |           | ✓*       |           |          | ✓         |           |          |           |           |                           |       |         |         |
| PICSTART® Plus Entry Level Development Programmer | ✓         | ✓        | ✓        | ✓        | ✓         | ✓**       | ✓        | ✓         | ✓        | ✓         | ✓         | ✓        | ✓         | ✓         | ✓                         |       |         |         |
| PRO MATE® II Universal Device Programmer          | ✓         | ✓        | ✓        | ✓        | ✓         | ✓**       | ✓        | ✓         | ✓        | ✓         | ✓         | ✓        | ✓         | ✓         | ✓                         | ✓     |         |         |
| PICDEM™ 1 Demonstration Board                     |           |          | ✓        |          | ✓         |           | †        |           | ✓        |           |           |          |           |           |                           |       |         |         |
| PICDEM™ 2 Demonstration Board                     |           |          |          | †        |           |           | †        |           |          |           |           |          |           | ✓         |                           |       |         |         |
| PICDEM™ 3 Demonstration Board                     |           |          |          |          |           |           |          |           |          |           | ✓         |          |           |           |                           |       |         |         |
| PICDEM™ 14A Demonstration Board                   |           | ✓        |          |          |           |           |          |           |          |           |           |          |           |           |                           |       |         |         |
| PICDEM™ 17 Demonstration Board                    |           |          |          |          |           |           |          |           |          |           |           | ✓        |           |           |                           |       |         |         |
| KEELOQ® Evaluation Kit                            |           |          |          |          |           |           |          |           |          |           |           |          |           |           |                           | ✓     |         |         |
| KEELOQ® Transponder Kit                           |           |          |          |          |           |           |          |           |          |           |           |          |           |           |                           | ✓     |         |         |
| microID™ Programmer's Kit                         |           |          |          |          |           |           |          |           |          |           |           |          |           |           |                           |       | ✓       |         |
| 125 kHz microID™ Developer's Kit                  |           |          |          |          |           |           |          |           |          |           |           |          |           |           |                           |       | ✓       |         |
| 125 kHz Anticollision microID™ Developer's Kit    |           |          |          |          |           |           |          |           |          |           |           |          |           |           |                           |       | ✓       |         |
| 13.56 MHz Anticollision microID™ Developer's Kit  |           |          |          |          |           |           |          |           |          |           |           |          |           |           |                           |       | ✓       |         |
| MCP2510 CAN Developer's Kit                       |           |          |          |          |           |           |          |           |          |           |           |          |           |           |                           |       | ✓       | ✓       |

\* Contact the Microchip Technology Inc. web site at [www.microchip.com](http://www.microchip.com) for information on how to use the MPLAB® ICD In-Circuit Debugger (DV164001) with PIC16C62, 63, 64, 65, 72, 73, 74, 76, 77.

\*\* Contact Microchip Technology Inc. for availability date.

† Development tool is available on select devices.

# PIC16F87X

---

NOTES:

## 15.0 ELECTRICAL CHARACTERISTICS

### Absolute Maximum Ratings †

|  |                                     |
|--|-------------------------------------|
| Ambient temperature under bias .....   | -55 to +125°C                       |
| Storage temperature .....  | -65°C to +150°C                     |
| Voltage on any pin with respect to V <sub>SS</sub> (except V <sub>DD</sub> , $\overline{\text{MCLR}}$ , and RA4) ..... | -0.3 V to (V <sub>DD</sub> + 0.3 V) |
| Voltage on V <sub>DD</sub> with respect to V <sub>SS</sub> .....   | -0.3 to +7.5 V                      |
| Voltage on $\overline{\text{MCLR}}$ with respect to V <sub>SS</sub> ( <b>Note 2</b> ) .....                            | 0 to +14 V                          |
| Voltage on RA4 with respect to V <sub>SS</sub> .....   | 0 to +8.5 V                         |
| Total power dissipation ( <b>Note 1</b> ) .....  | 1.0 W                               |
| Maximum current out of V <sub>SS</sub> pin .....   | 300 mA                              |
| Maximum current into V <sub>DD</sub> pin .....   | 250 mA                              |
| Input clamp current, I <sub>IK</sub> (V <sub>I</sub> < 0 or V <sub>I</sub> > V <sub>DD</sub> ) .....                   | ± 20 mA                             |
| Output clamp current, I <sub>OK</sub> (V <sub>O</sub> < 0 or V <sub>O</sub> > V <sub>DD</sub> ) .....                  | ± 20 mA                             |
| Maximum output current sunk by any I/O pin .....   | 25 mA                               |
| Maximum output current sourced by any I/O pin .....  | 25 mA                               |
| Maximum current sunk by PORTA, PORTB, and PORTE (combined) ( <b>Note 3</b> ) .....                                     | 200 mA                              |
| Maximum current sourced by PORTA, PORTB, and PORTE (combined) ( <b>Note 3</b> ) .....                                  | 200 mA                              |
| Maximum current sunk by PORTC and PORTD (combined) ( <b>Note 3</b> ) .....   | 200 mA                              |
| Maximum current sourced by PORTC and PORTD (combined) ( <b>Note 3</b> ) .....  | 200 mA                              |

**Note 1:** Power dissipation is calculated as follows:  $P_{dis} = V_{DD} \times \{I_{DD} - \sum I_{OH}\} + \sum \{(V_{DD} - V_{OH}) \times I_{OH}\} + \sum (V_{OL} \times I_{OL})$

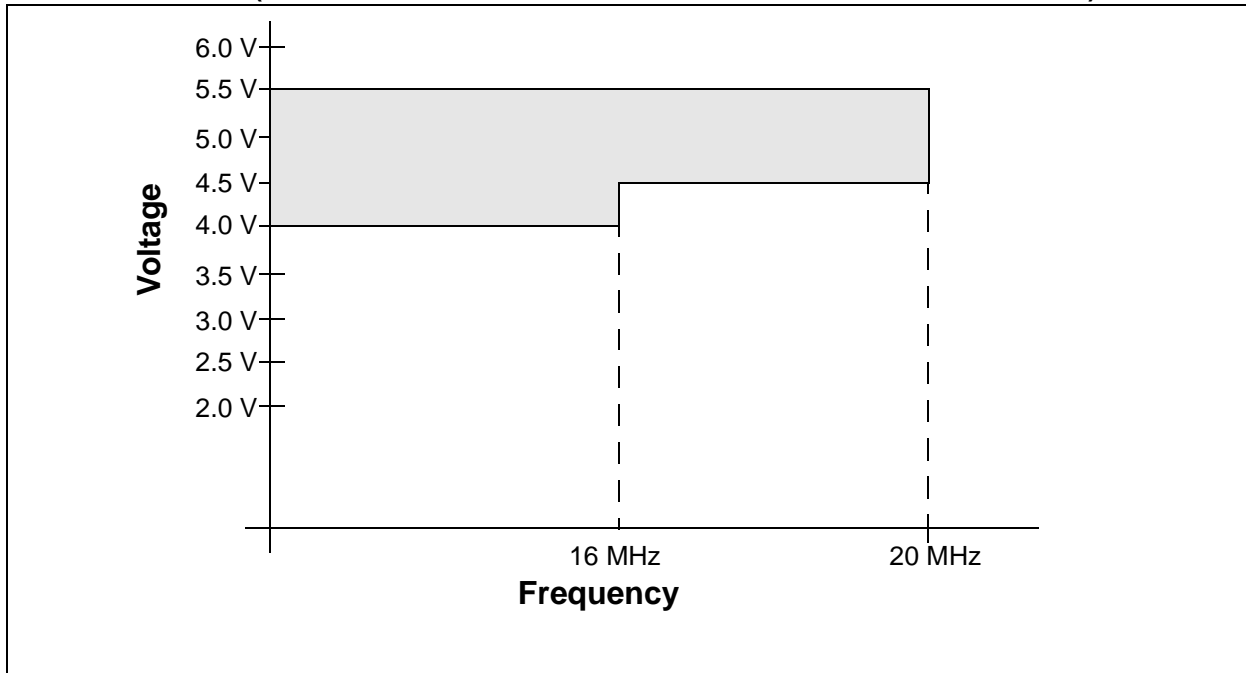
**2:** Voltage spikes below V<sub>SS</sub> at the  $\overline{\text{MCLR}}$  pin, inducing currents greater than 80 mA, may cause latch-up. Thus, a series resistor of 50-100Ω should be used when applying a “low” level to the  $\overline{\text{MCLR}}$  pin, rather than pulling this pin directly to V<sub>SS</sub>.

**3:** PORTD and PORTE are not implemented on PIC16F873/876 devices.

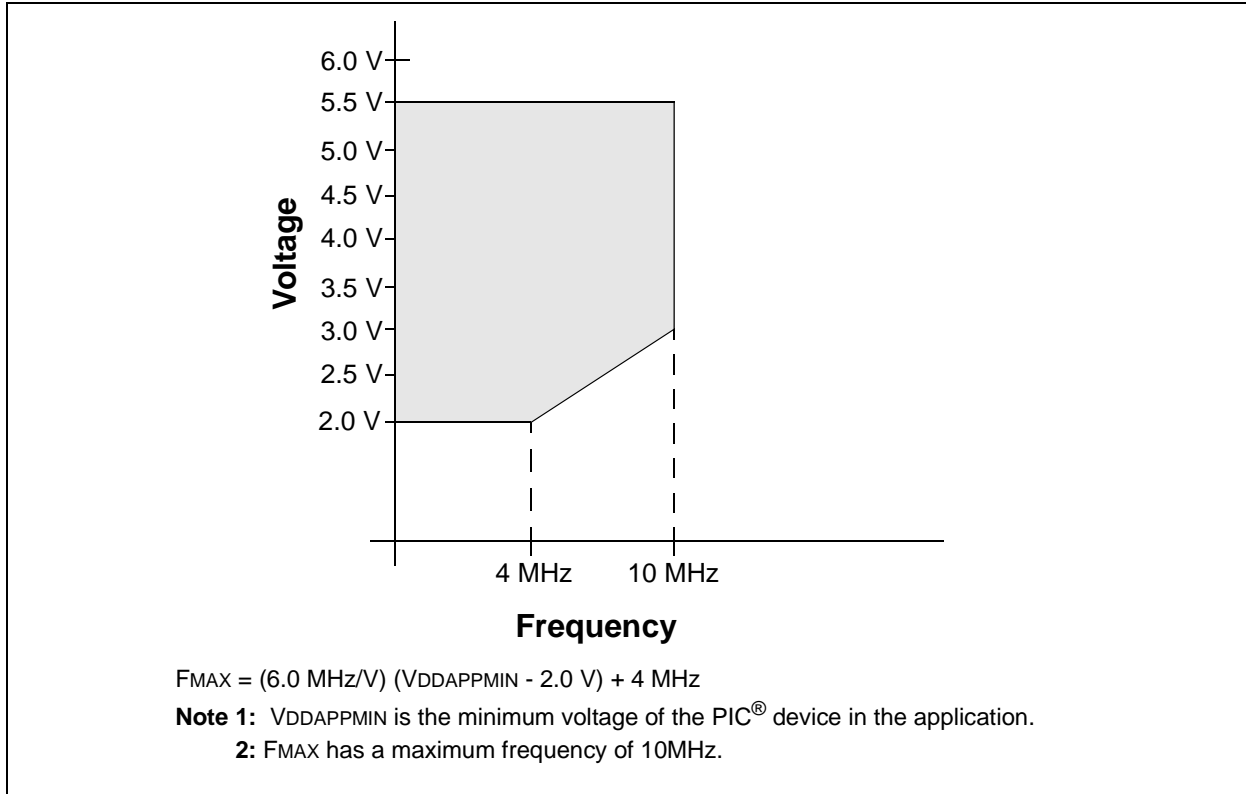
† NOTICE: Stresses above those listed under “Absolute Maximum Ratings” may cause permanent damage to the device. This is a stress rating only and functional operation of the device at those or any other conditions above those indicated in the operation listings of this specification is not implied. Exposure to maximum rating conditions for extended periods may affect device reliability.

# PIC16F87X

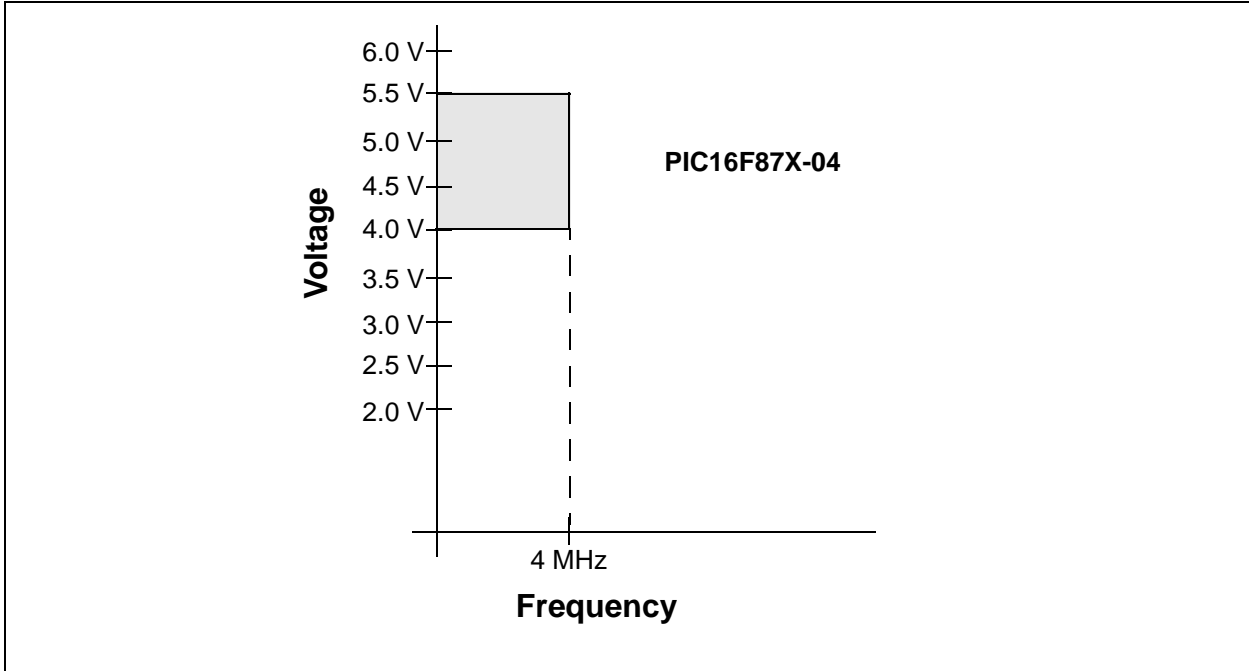
**FIGURE 15-1: PIC16F87X-20 VOLTAGE-FREQUENCY GRAPH  
(COMMERCIAL AND INDUSTRIAL TEMPERATURE RANGES ONLY)**



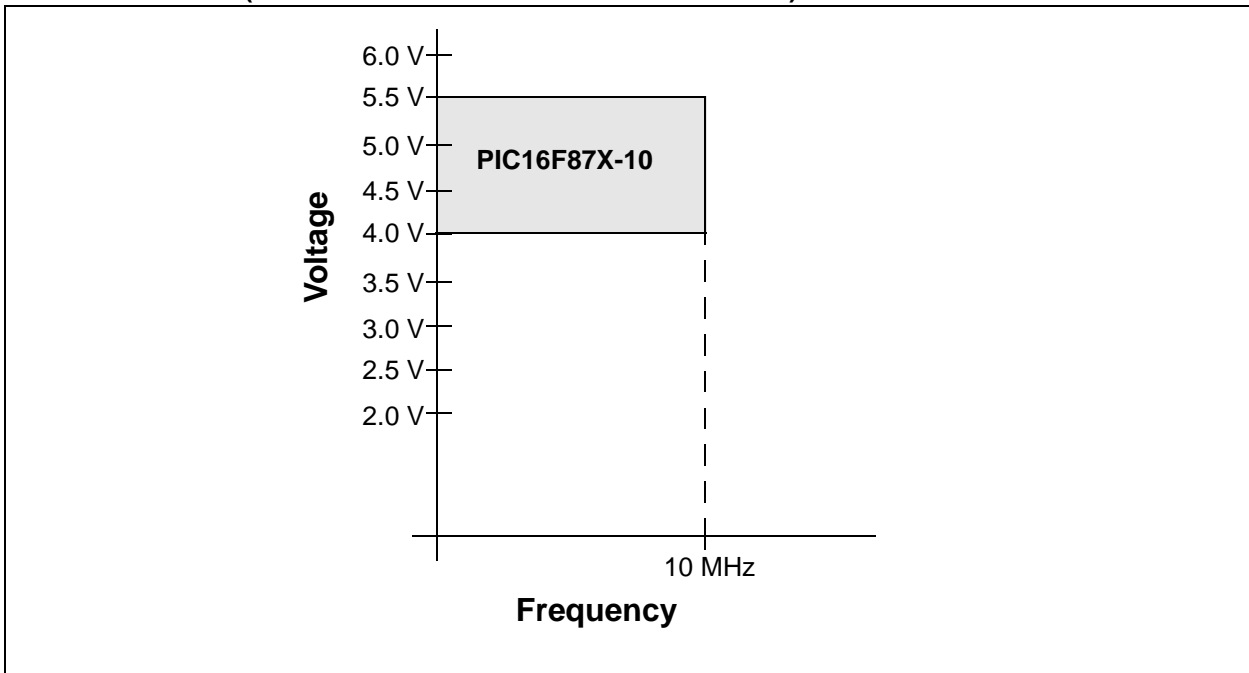
**FIGURE 15-2: PIC16LF87X-04 VOLTAGE-FREQUENCY GRAPH  
(COMMERCIAL AND INDUSTRIAL TEMPERATURE RANGES ONLY)**



**FIGURE 15-3: PIC16F87X-04 VOLTAGE-FREQUENCY GRAPH (ALL TEMPERATURE RANGES)**



**FIGURE 15-4: PIC16F87X-10 VOLTAGE-FREQUENCY GRAPH (EXTENDED TEMPERATURE RANGE ONLY)**



# PIC16F87X

## 15.1 DC Characteristics: PIC16F873/874/876/877-04 (Commercial, Industrial) PIC16F873/874/876/877-20 (Commercial, Industrial) PIC16LF873/874/876/877-04 (Commercial, Industrial)

| PIC16LF873/874/876/877-04<br>(Commercial, Industrial)                            |        | Standard Operating Conditions (unless otherwise stated)<br>Operating temperature $-40^{\circ}\text{C} \leq T_A \leq +85^{\circ}\text{C}$ for industrial<br>$0^{\circ}\text{C} \leq T_A \leq +70^{\circ}\text{C}$ for commercial |      |      |      |       |   |
|--|--------|---|------|------|------|-------|---|
| PIC16F873/874/876/877-04<br>PIC16F873/874/876/877-20<br>(Commercial, Industrial) |        | Standard Operating Conditions (unless otherwise stated)<br>Operating temperature $-40^{\circ}\text{C} \leq T_A \leq +85^{\circ}\text{C}$ for industrial<br>$0^{\circ}\text{C} \leq T_A \leq +70^{\circ}\text{C}$ for commercial |      |      |      |       |   |
| Param No.  | Symbol | Characteristic/<br>Device   | Min  | Typ† | Max  | Units | Conditions                                    |
| D001   | VDD    | <b>Supply Voltage</b>   |      |      |      |       |   |
|  |        | 16LF87X   | 2.0  | —    | 5.5  | V     | LP, XT, RC osc configuration<br>(DC to 4 MHz) |
| D001   |        | 16F87X  | 4.0  | —    | 5.5  | V     | LP, XT, RC osc configuration                  |
| D001A  |        |   | 4.5  |      | 5.5  | V     | HS osc configuration                          |
|  |        |   | VBOR |      | 5.5  | V     | BOR enabled, FMAX = 14 MHz <sup>(7)</sup>     |
| D002   | VDR    | <b>RAM Data Retention Voltage<sup>(1)</sup></b>   | —    | 1.5  | —    | V     |   |
| D003   | VPOR   | <b>VDD Start Voltage</b> to ensure internal Power-on Reset signal   | —    | VSS  | —    | V     | See section on Power-on Reset for details     |
| D004   | SVDD   | <b>VDD Rise Rate</b> to ensure internal Power-on Reset signal   | 0.05 | —    | —    | V/ms  | See section on Power-on Reset for details     |
| D005   | VBOR   | <b>Brown-out Reset Voltage</b>  | 3.7  | 4.0  | 4.35 | V     | BODEN bit in configuration word enabled       |

Legend: Rows with standard voltage device data only are shaded for improved readability.

† Data in "Typ" column is at 5V, 25°C, unless otherwise stated. These parameters are for design guidance only, and are not tested.

**Note 1:** This is the limit to which VDD can be lowered without losing RAM data.

**Note 2:** The supply current is mainly a function of the operating voltage and frequency. Other factors such as I/O pin loading, switching rate, oscillator type, internal code execution pattern and temperature also have an impact on the current consumption.

The test conditions for all IDD measurements in active operation mode are:

OSC1 = external square wave, from rail to rail; all I/O pins tri-stated, pulled to VDD;

MCLR = VDD; WDT enabled/disabled as specified.

**3:** The power-down current in SLEEP mode does not depend on the oscillator type. Power-down current is measured with the part in SLEEP mode, with all I/O pins in hi-impedance state and tied to VDD and VSS.

**4:** For RC osc configuration, current through REXT is not included. The current through the resistor can be estimated by the formula  $I_r = V_{DD}/2R_{EXT}$  (mA) with REXT in kOhm.

**5:** Timer1 oscillator (when enabled) adds approximately 20  $\mu\text{A}$  to the specification. This value is from characterization and is for design guidance only. This is not tested.

**6:** The  $\Delta$  current is the additional current consumed when this peripheral is enabled. This current should be added to the base IDD or IPD measurement.

**7:** When BOR is enabled, the device will operate correctly until the VBOR voltage trip point is reached.



**15.1 DC Characteristics: PIC16F873/874/876/877-04 (Commercial, Industrial)  
 PIC16F873/874/876/877-20 (Commercial, Industrial)  
 PIC16LF873/874/876/877-04 (Commercial, Industrial)  
 (Continued)**

| <b>PIC16LF873/874/876/877-04</b><br>(Commercial, Industrial)                                   |        | <b>Standard Operating Conditions (unless otherwise stated)</b><br>Operating temperature $-40^{\circ}\text{C} \leq T_A \leq +85^{\circ}\text{C}$ for industrial<br>$0^{\circ}\text{C} \leq T_A \leq +70^{\circ}\text{C}$ for commercial |     |      |     |       |  |
|--|--------|--|-----|------|-----|-------|--|
| <b>PIC16F873/874/876/877-04</b><br><b>PIC16F873/874/876/877-20</b><br>(Commercial, Industrial) |        | <b>Standard Operating Conditions (unless otherwise stated)</b><br>Operating temperature $-40^{\circ}\text{C} \leq T_A \leq +85^{\circ}\text{C}$ for industrial<br>$0^{\circ}\text{C} \leq T_A \leq +70^{\circ}\text{C}$ for commercial |     |      |     |       |  |
| Param No.  | Symbol | Characteristic/<br>Device  | Min | Typ† | Max | Units | Conditions   |
|  | IDD    | <b>Supply Current<sup>(2,5)</sup></b>  |     |      |     |       |  |
| D010   |        | 16LF87X  | —   | 0.6  | 2.0 | mA    | XT, RC osc configuration<br>FOSC = 4 MHz, VDD = 3.0V               |
| D010   |        | 16F87X   | —   | 1.6  | 4   | mA    | RC osc configurations<br>FOSC = 4 MHz, VDD = 5.5V                  |
| D010A  |        | 16LF87X  | —   | 20   | 35  | μA    | LP osc configuration<br>FOSC = 32 kHz, VDD = 3.0V,<br>WDT disabled |
| D013   |        | 16F87X   | —   | 7    | 15  | mA    | HS osc configuration,<br>FOSC = 20 MHz, VDD = 5.5V                 |
| D015   | ΔIBOR  | <b>Brown-out<br/>Reset Current<sup>(6)</sup></b>   | —   | 85   | 200 | μA    | BOR enabled, VDD = 5.0V  |

Legend: Rows with standard voltage device data only are shaded for improved readability.

† Data in "Typ" column is at 5V, 25°C, unless otherwise stated. These parameters are for design guidance only, and are not tested.

**Note 1:** This is the limit to which VDD can be lowered without losing RAM data.

**2:** The supply current is mainly a function of the operating voltage and frequency. Other factors such as I/O pin loading, switching rate, oscillator type, internal code execution pattern and temperature also have an impact on the current consumption.

The test conditions for all IDD measurements in active operation mode are:

OSC1 = external square wave, from rail to rail; all I/O pins tri-stated, pulled to VDD;

MCLR = VDD; WDT enabled/disabled as specified.

**3:** The power-down current in SLEEP mode does not depend on the oscillator type. Power-down current is measured with the part in SLEEP mode, with all I/O pins in hi-impedance state and tied to VDD and VSS.

**4:** For RC osc configuration, current through REXT is not included. The current through the resistor can be estimated by the formula  $I_r = V_{DD}/2R_{EXT}$  (mA) with REXT in kOhm.

**5:** Timer1 oscillator (when enabled) adds approximately 20 μA to the specification. This value is from characterization and is for design guidance only. This is not tested.

**6:** The Δ current is the additional current consumed when this peripheral is enabled. This current should be added to the base IDD or IPD measurement.

**7:** When BOR is enabled, the device will operate correctly until the VBOR voltage trip point is reached.

# PIC16F87X

## 15.1 DC Characteristics: PIC16F873/874/876/877-04 (Commercial, Industrial) PIC16F873/874/876/877-20 (Commercial, Industrial) PIC16LF873/874/876/877-04 (Commercial, Industrial) (Continued)

| PIC16LF873/874/876/877-04<br>(Commercial, Industrial)                            |                     | Standard Operating Conditions (unless otherwise stated)<br>Operating temperature $-40^{\circ}\text{C} \leq T_A \leq +85^{\circ}\text{C}$ for industrial<br>$0^{\circ}\text{C} \leq T_A \leq +70^{\circ}\text{C}$ for commercial |     |      |     |               |   |
|--|---------------------|---|-----|------|-----|---------------|---|
| PIC16F873/874/876/877-04<br>PIC16F873/874/876/877-20<br>(Commercial, Industrial) |                     | Standard Operating Conditions (unless otherwise stated)<br>Operating temperature $-40^{\circ}\text{C} \leq T_A \leq +85^{\circ}\text{C}$ for industrial<br>$0^{\circ}\text{C} \leq T_A \leq +70^{\circ}\text{C}$ for commercial |     |      |     |               |   |
| Param No.  | Symbol              | Characteristic/<br>Device   | Min | Typ† | Max | Units         | Conditions  |
| D020   | IPD                 | <b>Power-down Current<sup>(3,5)</sup></b>   |     |      |     |               |   |
|  |                     | 16LF87X   | —   | 7.5  | 30  | $\mu\text{A}$ | $V_{DD} = 3.0\text{V}$ , WDT enabled,<br>$-40^{\circ}\text{C}$ to $+85^{\circ}\text{C}$ |
| D020   |                     | 16F87X  | —   | 10.5 | 42  | $\mu\text{A}$ | $V_{DD} = 4.0\text{V}$ , WDT enabled,<br>$-40^{\circ}\text{C}$ to $+85^{\circ}\text{C}$ |
| D021   |                     | 16LF87X   | —   | 0.9  | 5   | $\mu\text{A}$ | $V_{DD} = 3.0\text{V}$ , WDT enabled,<br>$0^{\circ}\text{C}$ to $+70^{\circ}\text{C}$   |
| D021   |                     | 16F87X  | —   | 1.5  | 16  | $\mu\text{A}$ | $V_{DD} = 4.0\text{V}$ , WDT enabled,<br>$-40^{\circ}\text{C}$ to $+85^{\circ}\text{C}$ |
| D021A  |                     | 16LF87X   |     | 0.9  | 5   | $\mu\text{A}$ | $V_{DD} = 3.0\text{V}$ , WDT enabled,<br>$-40^{\circ}\text{C}$ to $+85^{\circ}\text{C}$ |
| D021A  |                     | 16F87X  |     | 1.5  | 19  | $\mu\text{A}$ | $V_{DD} = 4.0\text{V}$ , WDT enabled,<br>$-40^{\circ}\text{C}$ to $+85^{\circ}\text{C}$ |
| D023   | $\Delta\text{IBOR}$ | <b>Brown-out<br/>Reset Current<sup>(6)</sup></b>  | —   | 85   | 200 | $\mu\text{A}$ | BOR enabled, $V_{DD} = 5.0\text{V}$   |

Legend: Rows with standard voltage device data only are shaded for improved readability.

† Data in "Typ" column is at 5V, 25°C, unless otherwise stated. These parameters are for design guidance only, and are not tested.

**Note 1:** This is the limit to which  $V_{DD}$  can be lowered without losing RAM data.

**Note 2:** The supply current is mainly a function of the operating voltage and frequency. Other factors such as I/O pin loading, switching rate, oscillator type, internal code execution pattern and temperature also have an impact on the current consumption.

The test conditions for all  $I_{DD}$  measurements in active operation mode are:

$\text{OSC1}$  = external square wave, from rail to rail; all I/O pins tri-stated, pulled to  $V_{DD}$ ;

$\text{MCLR}$  =  $V_{DD}$ ; WDT enabled/disabled as specified.

**Note 3:** The power-down current in SLEEP mode does not depend on the oscillator type. Power-down current is measured with the part in SLEEP mode, with all I/O pins in hi-impedance state and tied to  $V_{DD}$  and  $V_{SS}$ .

**Note 4:** For RC osc configuration, current through  $R_{EXT}$  is not included. The current through the resistor can be estimated by the formula  $I_r = V_{DD}/2R_{EXT}$  (mA) with  $R_{EXT}$  in kOhm.

**Note 5:** Timer1 oscillator (when enabled) adds approximately 20  $\mu\text{A}$  to the specification. This value is from characterization and is for design guidance only. This is not tested.

**Note 6:** The  $\Delta$  current is the additional current consumed when this peripheral is enabled. This current should be added to the base  $I_{DD}$  or  $I_{PD}$  measurement.

**Note 7:** When BOR is enabled, the device will operate correctly until the  $V_{BOR}$  voltage trip point is reached.

**15.2 DC Characteristics: PIC16F873/874/876/877-04 (Commercial, Industrial)**  
**PIC16F873/874/876/877-20 (Commercial, Industrial)**  
**PIC16LF873/874/876/877-04 (Commercial, Industrial)**

| DC CHARACTERISTICS |            |   | Standard Operating Conditions (unless otherwise stated)  |      |              |               |  |
|--------------------|------------|---|--|------|--------------|---------------|--|
|                    |            |   | Operating temperature $-40^{\circ}\text{C} \leq T_A \leq +85^{\circ}\text{C}$ for industrial<br>$0^{\circ}\text{C} \leq T_A \leq +70^{\circ}\text{C}$ for commercial |      |              |               |  |
|                    |            |   | Operating voltage $V_{DD}$ range as described in DC specification (Section 15.1)   |      |              |               |  |
| Param No.          | Sym        | Characteristic                                | Min  | Typ† | Max          | Units         | Conditions   |
|                    | $V_{IL}$   | <b>Input Low Voltage</b>                      |  |      |              |               |  |
| D030               |            | I/O ports                                     |  |      |              |               |  |
| D030A              |            | with TTL buffer                               | $V_{SS}$   | —    | $0.15V_{DD}$ | V             | For entire $V_{DD}$ range  |
| D031               |            | with Schmitt Trigger buffer                   | $V_{SS}$   | —    | $0.8V$       | V             | $4.5V \leq V_{DD} \leq 5.5V$   |
| D032               |            | MCLR, OSC1 (in RC mode)                       | $V_{SS}$   | —    | $0.2V_{DD}$  | V             |  |
| D033               |            | OSC1 (in XT, HS and LP)                       | $V_{SS}$   | —    | $0.3V_{DD}$  | V             | <b>(Note 1)</b>  |
| D034               |            | Ports RC3 and RC4                             |  |      |              |               |  |
| D034A              |            | with Schmitt Trigger buffer                   | $V_{SS}$   | —    | $0.3V_{DD}$  | V             | For entire $V_{DD}$ range  |
|                    |            | with SMBus                                    | -0.5   | —    | 0.6          | V             | for $V_{DD} = 4.5$ to $5.5V$   |
|                    | $V_{IH}$   | <b>Input High Voltage</b>                     |  |      |              |               |  |
| D040               |            | I/O ports                                     |  |      |              |               |  |
| D040A              |            | with TTL buffer                               | 2.0  | —    | $V_{DD}$     | V             | $4.5V \leq V_{DD} \leq 5.5V$   |
| D041               |            | with Schmitt Trigger buffer                   | $0.25V_{DD}$   | —    | $V_{DD}$     | V             | For entire $V_{DD}$ range  |
| D042               |            | MCLR  | $+0.8V$  |      |              |               |  |
| D042A              |            | with Schmitt Trigger buffer                   | $0.8V_{DD}$  | —    | $V_{DD}$     | V             | For entire $V_{DD}$ range  |
| D043               |            | MCLR  | $0.8V_{DD}$  | —    | $V_{DD}$     | V             |  |
| D043               |            | OSC1 (XT, HS and LP)                          | $0.7V_{DD}$  | —    | $V_{DD}$     | V             | <b>(Note 1)</b>  |
| D043               |            | OSC1 (in RC mode)                             | $0.9V_{DD}$  | —    | $V_{DD}$     | V             |  |
| D044               |            | Ports RC3 and RC4                             |  |      |              |               |  |
| D044A              |            | with Schmitt Trigger buffer                   | $0.7V_{DD}$  | —    | $V_{DD}$     | V             | For entire $V_{DD}$ range  |
| D044A              |            | with SMBus                                    | 1.4  | —    | 5.5          | V             | for $V_{DD} = 4.5$ to $5.5V$   |
| D070               | $I_{PURB}$ | <b>PORTB Weak Pull-up Current</b>             | 50   | 250  | 400          | $\mu\text{A}$ | $V_{DD} = 5V$ , $V_{PIN} = V_{SS}$ ,<br>$-40^{\circ}\text{C}$ TO $+85^{\circ}\text{C}$ |
|                    | $I_{IL}$   | <b>Input Leakage Current<sup>(2, 3)</sup></b> |  |      |              |               |  |
| D060               |            | I/O ports                                     | —  | —    | $\pm 1$      | $\mu\text{A}$ | $V_{SS} \leq V_{PIN} \leq V_{DD}$ ,<br>Pin at hi-impedance                             |
| D061               |            | MCLR, RA4/T0CKI                               | —  | —    | $\pm 5$      | $\mu\text{A}$ | $V_{SS} \leq V_{PIN} \leq V_{DD}$  |
| D063               |            | OSC1  | —  | —    | $\pm 5$      | $\mu\text{A}$ | $V_{SS} \leq V_{PIN} \leq V_{DD}$ , XT, HS<br>and LP osc configuration                 |

\* These parameters are characterized but not tested.

† Data in "Typ" column is at 5V, 25°C unless otherwise stated. These parameters are for design guidance only and are not tested.

**Note 1:** In RC oscillator configuration, the OSC1/CLKIN pin is a Schmitt Trigger input. It is not recommended that the PIC16F87X be driven with external clock in RC mode.

**2:** The leakage current on the MCLR pin is strongly dependent on the applied voltage level. The specified levels represent normal operating conditions. Higher leakage current may be measured at different input voltages.

**3:** Negative current is defined as current sourced by the pin.

# PIC16F87X

## 15.2 DC Characteristics: PIC16F873/874/876/877-04 (Commercial, Industrial) PIC16F873/874/876/877-20 (Commercial, Industrial) PIC16LF873/874/876/877-04 (Commercial, Industrial) (Continued)

| DC CHARACTERISTICS          |       | Standard Operating Conditions (unless otherwise stated)<br>Operating temperature $-40^{\circ}\text{C} \leq T_A \leq +85^{\circ}\text{C}$ for industrial<br>$0^{\circ}\text{C} \leq T_A \leq +70^{\circ}\text{C}$ for commercial<br>Operating voltage $V_{DD}$ range as described in DC specification<br>(Section 15.1) |                  |      |     |       |  |
|-----------------------------|-------|--|------------------|------|-----|-------|--|
| Param No.                   | Sym   | Characteristic   | Min              | Typ† | Max | Units | Conditions   |
| D080                        | VOL   | <b>Output Low Voltage</b>  |                  |      |     |       |  |
|                             |       | I/O ports  | —                | —    | 0.6 | V     | $I_{OL} = 8.5\text{ mA}$ , $V_{DD} = 4.5\text{V}$ ,<br>$-40^{\circ}\text{C}$ to $+85^{\circ}\text{C}$  |
| D083                        |       | OSC2/CLKOUT (RC osc config)  | —                | —    | 0.6 | V     | $I_{OL} = 1.6\text{ mA}$ , $V_{DD} = 4.5\text{V}$ ,<br>$-40^{\circ}\text{C}$ to $+85^{\circ}\text{C}$  |
| D090                        | VOH   | <b>Output High Voltage</b>   |                  |      |     |       |  |
|                             |       | I/O ports <sup>(3)</sup>   | $V_{DD} - 0.7$   | —    | —   | V     | $I_{OH} = -3.0\text{ mA}$ , $V_{DD} = 4.5\text{V}$ ,<br>$-40^{\circ}\text{C}$ to $+85^{\circ}\text{C}$ |
| D092                        |       | OSC2/CLKOUT (RC osc config)  | $V_{DD} - 0.7$   | —    | —   | V     | $I_{OH} = -1.3\text{ mA}$ , $V_{DD} = 4.5\text{V}$ ,<br>$-40^{\circ}\text{C}$ to $+85^{\circ}\text{C}$ |
| D150*                       | VOD   | <b>Open-Drain High Voltage</b>   | —                | —    | 8.5 | V     | RA4 pin  |
| D100                        | Cosc2 | <b>Capacitive Loading Specs on Output Pins</b>   |                  |      |     |       |  |
|                             |       | OSC2 pin   | —                | —    | 15  | pF    | In XT, HS and LP modes when external clock is used to drive OSC1                                       |
|                             |       | All I/O pins and OSC2 (RC mode)  | —                | —    | 50  | pF    |  |
| D101                        | CIO   | All I/O pins and OSC2 (RC mode)  | —                | —    | 50  | pF    |  |
| D102                        | CB    | SCL, SDA (I <sup>2</sup> C mode)   | —                | —    | 400 | pF    |  |
| <b>Data EEPROM Memory</b>   |       |  |                  |      |     |       |  |
| D120                        | Ed    | Endurance  | 100K             | —    | —   | E/W   | 25°C at 5V   |
| D121                        | VDRW  | V <sub>DD</sub> for read/write   | V <sub>MIN</sub> | —    | 5.5 | V     | Using EECON to read/write<br>$V_{MIN}$ = min. operating voltage  |
| D122                        | TDEW  | Erase/write cycle time   | —                | 4    | 8   | ms    |  |
| <b>Program FLASH Memory</b> |       |  |                  |      |     |       |  |
| D130                        | EP    | Endurance  | 1000             | —    | —   | E/W   | 25°C at 5V   |
| D131                        | VPR   | V <sub>DD</sub> for read   | V <sub>MIN</sub> | —    | 5.5 | V     | $V_{MIN}$ = min operating voltage  |
| D132A                       |       | V <sub>DD</sub> for erase/write  | V <sub>MIN</sub> | —    | 5.5 | V     | Using EECON to read/write,<br>$V_{MIN}$ = min. operating voltage                                       |
| D133                        | TPEW  | Erase/Write cycle time   | —                | 4    | 8   | ms    |  |

\* These parameters are characterized but not tested.

† Data in "Typ" column is at 5V, 25°C unless otherwise stated. These parameters are for design guidance only and are not tested.

- Note 1:** In RC oscillator configuration, the OSC1/CLKIN pin is a Schmitt Trigger input. It is not recommended that the PIC16F87X be driven with external clock in RC mode.
- Note 2:** The leakage current on the  $\overline{\text{MCLR}}$  pin is strongly dependent on the applied voltage level. The specified levels represent normal operating conditions. Higher leakage current may be measured at different input voltages.
- Note 3:** Negative current is defined as current sourced by the pin.

## 15.3 DC Characteristics: PIC16F873/874/876/877-04 (Extended) PIC16F873/874/876/877-10 (Extended)

| PIC16F873/874/876/877-04<br>PIC16F873/874/876/877-20<br>(Extended) |        | Standard Operating Conditions (unless otherwise stated)<br>Operating temperature $-40^{\circ}\text{C} \leq T_A \leq +125^{\circ}\text{C}$ |                  |                 |      |       |   |
|--|--------|---|------------------|-----------------|------|-------|---|
| Param No.  | Symbol | Characteristic/<br>Device   | Min              | Typ†            | Max  | Units | Conditions  |
|  | VDD    | <b>Supply Voltage</b>   |                  |                 |      |       |   |
| D001   |        |   | 4.0              | —               | 5.5  | V     | LP, XT, RC osc configuration                          |
| D001A  |        |   | 4.5              |                 | 5.5  | V     | HS osc configuration                                  |
| D001A  |        |   | V <sub>BOR</sub> |                 | 5.5  | V     | BOR enabled, F <sub>MAX</sub> = 10 MHz <sup>(7)</sup> |
| D002   | VDR    | <b>RAM Data Retention Voltage<sup>(1)</sup></b>   | —                | 1.5             | —    | V     |   |
| D003   | VPOR   | <b>VDD Start Voltage</b> to ensure internal Power-on Reset signal   | —                | V <sub>SS</sub> | —    | V     | See section on Power-on Reset for details             |
| D004   | SVDD   | <b>VDD Rise Rate</b> to ensure internal Power-on Reset signal   | 0.05             | —               | —    | V/ms  | See section on Power-on Reset for details             |
| D005   | VBOR   | <b>Brown-out Reset Voltage</b>  | 3.7              | 4.0             | 4.35 | V     | BODEN bit in configuration word enabled               |

† Data is "Typ" column is at 5V, 25°C, unless otherwise stated. These parameters are for design guidance only, and are not tested.

**Note 1:** This is the limit to which VDD can be lowered without losing RAM data.

**2:** The supply current is mainly a function of the operating voltage and frequency. Other factors such as I/O pin loading, switching rate, oscillator type, internal code execution pattern and temperature also have an impact on the current consumption.

The test conditions for all I<sub>DD</sub> measurements in active operation mode are:

$\overline{\text{OSC1}}$  = external square wave, from rail to rail; all I/O pins tri-stated, pulled to VDD;

$\overline{\text{MCLR}}$  = VDD; WDT enabled/disabled as specified.

**3:** The power-down current in SLEEP mode does not depend on the oscillator type. Power-down current is measured with the part in SLEEP mode, with all I/O pins in hi-impedance state and tied to VDD and V<sub>SS</sub>.

**4:** For RC osc configuration, current through R<sub>EXT</sub> is not included. The current through the resistor can be estimated by the formula  $I_r = V_{DD}/2R_{EXT}$  (mA) with R<sub>EXT</sub> in kOhm.

**5:** Timer1 oscillator (when enabled) adds approximately 20 μA to the specification. This value is from characterization and is for design guidance only. This is not tested.

**6:** The Δ current is the additional current consumed when this peripheral is enabled. This current should be added to the base I<sub>DD</sub> or I<sub>PD</sub> measurement.

**7:** When BOR is enabled, the device will operate correctly until the VBOR voltage trip point is reached.

# PIC16F87X

## 15.3 DC Characteristics: PIC16F873/874/876/877-04 (Extended) PIC16F873/874/876/877-10 (Extended) (Continued)

| PIC16F873/874/876/877-04<br>PIC16F873/874/876/877-20<br>(Extended) |                     | Standard Operating Conditions (unless otherwise stated)<br>Operating temperature $-40^{\circ}\text{C} \leq T_A \leq +125^{\circ}\text{C}$ |     |      |     |               |  |
|--|---------------------|---|-----|------|-----|---------------|--|
| Param No.  | Symbol              | Characteristic/<br>Device   | Min | Typ† | Max | Units         | Conditions   |
| D010   | IDD                 | <b>Supply Current<sup>(2,5)</sup></b>   |     |      |     |               |  |
|  |                     |   | —   | 1.6  | 4   | mA            | RC osc configurations<br>FOSC = 4 MHz, VDD = 5.5V  |
| D013   |                     |   | —   | 7    | 15  | mA            | HS osc configuration,<br>FOSC = 10 MHz, VDD = 5.5V |
| D015   | $\Delta\text{IBOR}$ | <b>Brown-out<br/>Reset Current<sup>(6)</sup></b>  | —   | 85   | 200 | $\mu\text{A}$ | BOR enabled, VDD = 5.0V                            |
| D020A<br>D021B   | IPD                 | <b>Power-down Current<sup>(3,5)</sup></b>   |     |      |     |               |  |
|  |                     |   |     | 10.5 | 60  | $\mu\text{A}$ | VDD = 4.0V, WDT enabled                            |
|  |                     |   |     | 1.5  | 30  | $\mu\text{A}$ | VDD = 4.0V, WDT disabled                           |
| D023   | $\Delta\text{IBOR}$ | <b>Brown-out<br/>Reset Current<sup>(6)</sup></b>  | —   | 85   | 200 | $\mu\text{A}$ | BOR enabled, VDD = 5.0V                            |

† Data in "Typ" column is at 5V, 25°C, unless otherwise stated. These parameters are for design guidance only, and are not tested.

**Note 1:** This is the limit to which VDD can be lowered without losing RAM data.

**Note 2:** The supply current is mainly a function of the operating voltage and frequency. Other factors such as I/O pin loading, switching rate, oscillator type, internal code execution pattern and temperature also have an impact on the current consumption.

The test conditions for all IDD measurements in active operation mode are:

OSC1 = external square wave, from rail to rail; all I/O pins tri-stated, pulled to VDD;

MCLR = VDD; WDT enabled/disabled as specified.

**Note 3:** The power-down current in SLEEP mode does not depend on the oscillator type. Power-down current is measured with the part in SLEEP mode, with all I/O pins in hi-impedance state and tied to VDD and VSS.

**Note 4:** For RC osc configuration, current through REXT is not included. The current through the resistor can be estimated by the formula  $I_r = V_{DD}/2R_{EXT}$  (mA) with REXT in kOhm.

**Note 5:** Timer1 oscillator (when enabled) adds approximately 20  $\mu\text{A}$  to the specification. This value is from characterization and is for design guidance only. This is not tested.

**Note 6:** The  $\Delta$  current is the additional current consumed when this peripheral is enabled. This current should be added to the base IDD or IPD measurement.

**Note 7:** When BOR is enabled, the device will operate correctly until the VBOR voltage trip point is reached.

## 15.4 DC Characteristics: PIC16F873/874/876/877-04 (Extended) PIC16F873/874/876/877-10 (Extended)

| DC CHARACTERISTICS            |       | Standard Operating Conditions (unless otherwise stated)<br>Operating temperature $-40^{\circ}\text{C} \leq T_A \leq +125^{\circ}\text{C}$<br>Operating voltage $V_{DD}$ range as described in DC specification<br>(Section 15.1) |  |      |  |               |  |
|-------------------------------|-------|--|--|------|--|---------------|--|
| Param No.                     | Sym   | Characteristic   | Min  | Typ† | Max  | Units         | Conditions   |
|                               | VIL   | <b>Input Low Voltage</b>   |  |      |  |               |  |
| D030<br>D030A                 |       | I/O ports<br>with TTL buffer   | $V_{SS}$   | —    | $0.15V_{DD}$                                 | V             | For entire $V_{DD}$ range  |
| D031<br>D032<br>D033          |       | with Schmitt Trigger buffer<br>MCLR, OSC1 (in RC mode)<br>OSC1 (in XT, HS and LP)<br>Ports RC3 and RC4   | $V_{SS}$   | —    | $0.2V_{DD}$                                  | V             | $4.5V \leq V_{DD} \leq 5.5V$   |
| D034<br>D034A                 |       | with Schmitt Trigger buffer<br>with SMBus  | $V_{SS}$<br>-0.5   | —    | $0.3V_{DD}$<br>0.6                           | V             | For entire $V_{DD}$ range<br>for $V_{DD} = 4.5$ to $5.5V$              |
|                               | VIH   | <b>Input High Voltage</b>  |  |      |  |               |  |
| D040<br>D040A                 |       | I/O ports<br>with TTL buffer   | 2.0<br>$0.25V_{DD}$<br>+ 0.8V                            | —    | $V_{DD}$<br>$V_{DD}$                         | V             | $4.5V \leq V_{DD} \leq 5.5V$<br>For entire $V_{DD}$ range              |
| D041<br>D042<br>D042A<br>D043 |       | with Schmitt Trigger buffer<br>MCLR<br>OSC1 (XT, HS and LP)<br>OSC1 (in RC mode)<br>Ports RC3 and RC4  | $0.8V_{DD}$<br>$0.8V_{DD}$<br>$0.7V_{DD}$<br>$0.9V_{DD}$ | —    | $V_{DD}$<br>$V_{DD}$<br>$V_{DD}$<br>$V_{DD}$ | V             | For entire $V_{DD}$ range<br><b>(Note 1)</b>                           |
| D044<br>D044A                 |       | with Schmitt Trigger buffer<br>with SMBus  | $0.7V_{DD}$<br>1.4                                       | —    | $V_{DD}$<br>5.5                              | V             | For entire $V_{DD}$ range<br>for $V_{DD} = 4.5$ to $5.5V$              |
| D070A                         | IPURB | <b>PORTB Weak Pull-up Current</b>  | 50   | 250  | 400  | $\mu\text{A}$ | $V_{DD} = 5V, V_{PIN} = V_{SS}$ ,                                      |
|                               | IIL   | <b>Input Leakage Current<sup>(2, 3)</sup></b>  |  |      |  |               |  |
| D060                          |       | I/O ports  | -  | -    | $\pm 1$                                      | $\mu\text{A}$ | $V_{SS} \leq V_{PIN} \leq V_{DD}$ ,<br>Pin at hi-impedance             |
| D061                          |       | MCLR, RA4/T0CKI  | -  | -    | $\pm 5$                                      | $\mu\text{A}$ | $V_{SS} \leq V_{PIN} \leq V_{DD}$                                      |
| D063                          |       | OSC1   | -  | -    | $\pm 5$                                      | $\mu\text{A}$ | $V_{SS} \leq V_{PIN} \leq V_{DD}$ , XT, HS<br>and LP osc configuration |

\* These parameters are characterized but not tested.

† Data in "Typ" column is at 5V, 25°C unless otherwise stated. These parameters are for design guidance only and are not tested.

**Note 1:** In RC oscillator configuration, the OSC1/CLKIN pin is a Schmitt Trigger input. It is not recommended that the PIC16F87X be driven with external clock in RC mode.

**2:** The leakage current on the MCLR pin is strongly dependent on the applied voltage level. The specified levels represent normal operating conditions. Higher leakage current may be measured at different input voltages.

**3:** Negative current is defined as current sourced by the pin.

# PIC16F87X

## 15.4 DC Characteristics: PIC16F873/874/876/877-04 (Extended) PIC16F873/874/876/877-10 (Extended) (Continued)

| DC CHARACTERISTICS |       | Standard Operating Conditions (unless otherwise stated)<br>Operating temperature $-40^{\circ}\text{C} \leq T_A \leq +125^{\circ}\text{C}$<br>Operating voltage $V_{DD}$ range as described in DC specification<br>(Section 15.1) |                  |      |     |       |   |
|--------------------|-------|--|------------------|------|-----|-------|---|
| Param No.          | Sym   | Characteristic   | Min              | Typ† | Max | Units | Conditions  |
|                    |       | <b>Output Low Voltage</b>  |                  |      |     |       |   |
| D080A              | VOL   | I/O ports  | —                | —    | 0.6 | V     | $I_{OL} = 7.0\text{ mA}$ , $V_{DD} = 4.5\text{V}$                       |
| D083A              |       | OSC2/CLKOUT (RC osc config)  | —                | —    | 0.6 | V     | $I_{OL} = 1.2\text{ mA}$ , $V_{DD} = 4.5\text{V}$                       |
|                    |       | <b>Output High Voltage</b>   |                  |      |     |       |   |
| D090A              | VOH   | I/O ports <sup>(3)</sup>   | $V_{DD} - 0.7$   | —    | —   | V     | $I_{OH} = -2.5\text{ mA}$ , $V_{DD} = 4.5\text{V}$                      |
| D092A              |       | OSC2/CLKOUT (RC osc config)  | $V_{DD} - 0.7$   | —    | —   | V     | $I_{OH} = -1.0\text{ mA}$ , $V_{DD} = 4.5\text{V}$                      |
| D150*              | VOD   | <b>Open Drain High Voltage</b>   | —                | —    | 8.5 | V     | RA4 pin   |
|                    |       | <b>Capacitive Loading Specs on Output Pins</b>   |                  |      |     |       |   |
| D100               | Cosc2 | OSC2 pin   | —                | —    | 15  | pF    | In XT, HS and LP modes when external clock is used to drive OSC1        |
| D101               | CI0   | All I/O pins and OSC2 (RC mode)  | —                | —    | 50  | pF    |   |
| D102               | CB    | SCL, SDA (I <sup>2</sup> C mode)   | —                | —    | 400 | pF    |   |
|                    |       | <b>Data EEPROM Memory</b>  |                  |      |     |       |   |
| D120               | ED    | Endurance  | 100K             | —    | —   | E/W   | 25°C at 5V  |
| D121               | VDRW  | VDD for read/write   | V <sub>MIN</sub> | —    | 5.5 | V     | Using EECON to read/write<br>V <sub>MIN</sub> = min. operating voltage  |
| D122               | TDEW  | Erase/write cycle time   | —                | 4    | 8   | ms    |   |
|                    |       | <b>Program FLASH Memory</b>  |                  |      |     |       |   |
| D130               | EP    | Endurance  | 1000             | —    | —   | E/W   | 25°C at 5V  |
| D131               | VPR   | VDD for read   | V <sub>MIN</sub> | —    | 5.5 | V     | V <sub>MIN</sub> = min operating voltage                                |
| D132A              |       | VDD for erase/write  | V <sub>MIN</sub> | —    | 5.5 | V     | Using EECON to read/write,<br>V <sub>MIN</sub> = min. operating voltage |
| D133               | TPEW  | Erase/Write cycle time   | —                | 4    | 8   | ms    |   |

\* These parameters are characterized but not tested.

† Data in "Typ" column is at 5V, 25°C unless otherwise stated. These parameters are for design guidance only and are not tested.

- Note 1:** In RC oscillator configuration, the OSC1/CLKIN pin is a Schmitt Trigger input. It is not recommended that the PIC16F87X be driven with external clock in RC mode.
- 2:** The leakage current on the MCLR pin is strongly dependent on the applied voltage level. The specified levels represent normal operating conditions. Higher leakage current may be measured at different input voltages.
- 3:** Negative current is defined as current sourced by the pin.



## 15.5 Timing Parameter Symbology

The timing parameter symbols have been created following one of the following formats:

1. TppS2ppS
2. TppS
3. Tcc:ST (I<sup>2</sup>C specifications only)
4. Ts (I<sup>2</sup>C specifications only)

|          |           |   |      |
|----------|-----------|---|------|
| <b>T</b> |           |   |      |
| F        | Frequency | T | Time |

Lowercase letters (pp) and their meanings:

|           |                   |     |                                    |
|-----------|-------------------|-----|------------------------------------|
| <b>pp</b> |                   |     |                                    |
| cc        | CCP1              | osc | OSC1                               |
| ck        | CLKOUT            | rd  | $\overline{RD}$                    |
| cs        | $\overline{CS}$   | rw  | $\overline{RD}$ or $\overline{WR}$ |
| di        | SDI               | sc  | SCK                                |
| do        | SDO               | ss  | $\overline{SS}$                    |
| dt        | Data in           | t0  | T0CKI                              |
| io        | I/O port          | t1  | T1CKI                              |
| mc        | $\overline{MCLR}$ | wr  | $\overline{WR}$                    |

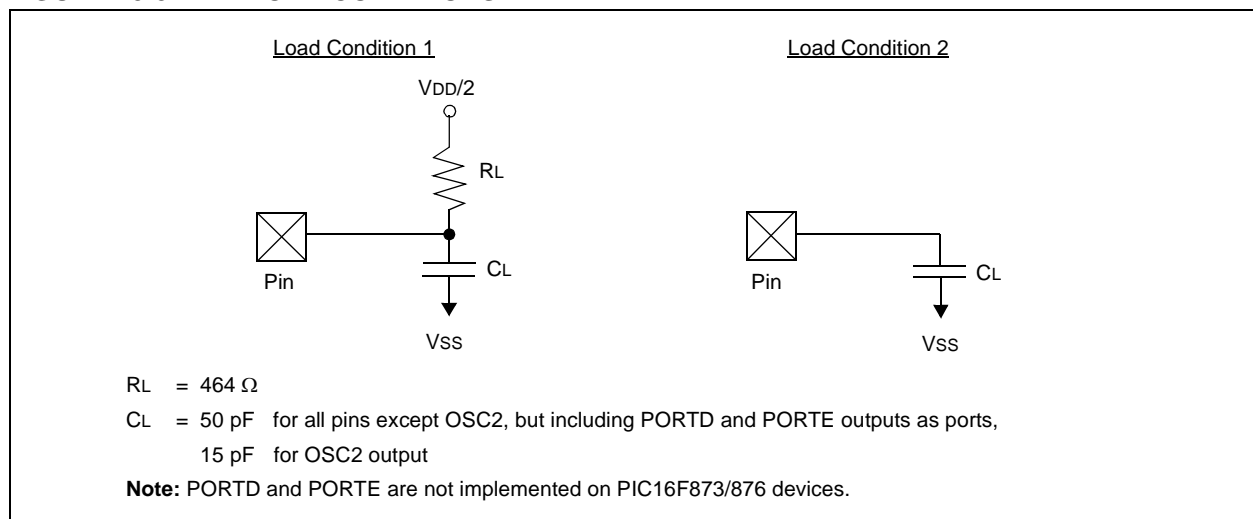
Uppercase letters and their meanings:

|                            |                        |      |              |
|----------------------------|------------------------|------|--------------|
| <b>S</b>                   |                        |      |              |
| F                          | Fall                   | P    | Period       |
| H                          | High                   | R    | Rise         |
| I                          | Invalid (Hi-impedance) | V    | Valid        |
| L                          | Low                    | Z    | Hi-impedance |
| <b>I<sup>2</sup>C only</b> |                        | High | High         |
| AA                         | output access          | Low  | Low          |
| BUF                        | Bus free               |      |              |

Tcc:ST (I<sup>2</sup>C specifications only)

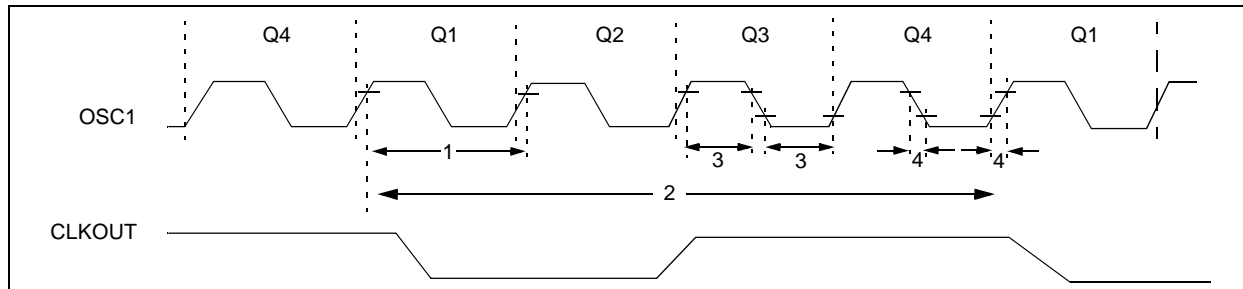
|           |                 |     |                |
|-----------|-----------------|-----|----------------|
| <b>CC</b> |                 |     |                |
| HD        | Hold            | SU  | Setup          |
| <b>ST</b> |                 | STO | STOP condition |
| DAT       | DATA input hold |     |                |
| STA       | START condition |     |                |

**FIGURE 15-5: LOAD CONDITIONS**



# PIC16F87X

**FIGURE 15-6: EXTERNAL CLOCK TIMING**



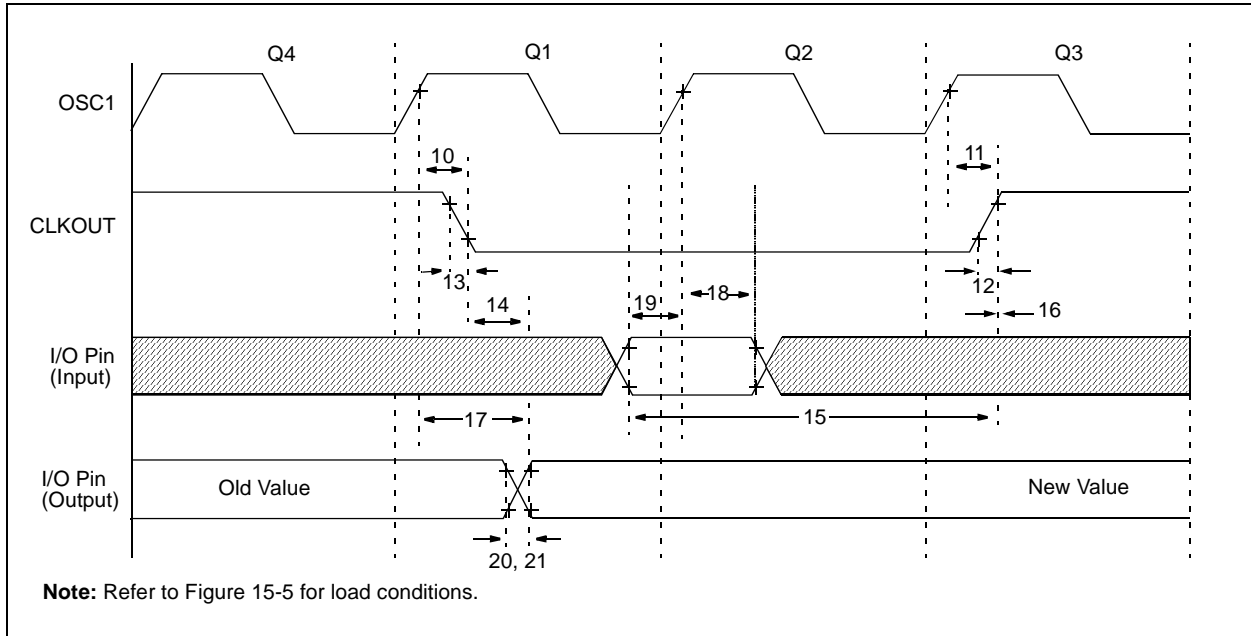
**TABLE 15-1: EXTERNAL CLOCK TIMING REQUIREMENTS**

| Parameter No. | Sym           | Characteristic                             | Min | Typ† | Max    | Units | Conditions         |
|---------------|---------------|--|-----|------|--------|-------|--------------------|
|               | Fosc          | External CLKIN Frequency<br>(Note 1)       | DC  | —    | 4      | MHz   | XT and RC osc mode |
|               |               |  | DC  | —    | 4      | MHz   | HS osc mode (-04)  |
|               |               |  | DC  | —    | 10     | MHz   | HS osc mode (-10)  |
|               |               |  | DC  | —    | 20     | MHz   | HS osc mode (-20)  |
|               |               |  | DC  | —    | 200    | kHz   | LP osc mode        |
|               |               | Oscillator Frequency<br>(Note 1)           | DC  | —    | 4      | MHz   | RC osc mode        |
|               |               |  | 0.1 | —    | 4      | MHz   | XT osc mode        |
|               |               |  | 4   | —    | 10     | MHz   | HS osc mode (-10)  |
|               |               |  | 4   | —    | 20     | MHz   | HS osc mode (-20)  |
|               |               |  | 5   | —    | 200    | kHz   | LP osc mode        |
| 1             | Tosc          | External CLKIN Period<br>(Note 1)          | 250 | —    | —      | ns    | XT and RC osc mode |
|               |               |  | 250 | —    | —      | ns    | HS osc mode (-04)  |
|               |               | Oscillator Period<br>(Note 1)              | 100 | —    | —      | ns    | HS osc mode (-10)  |
|               |               |  | 50  | —    | —      | ns    | HS osc mode (-20)  |
|               |               |  | 5   | —    | —      | µs    | LP osc mode        |
|               |               |  | 250 | —    | —      | ns    | RC osc mode        |
|               |               |  | 250 | —    | 10,000 | ns    | XT osc mode        |
|               |               |  | 250 | —    | —      | ns    | HS osc mode (-04)  |
|               |               |  | 100 | —    | 250    | ns    | HS osc mode (-10)  |
|               |               |  | 50  | —    | 250    | ns    | HS osc mode (-20)  |
|               |               |  | 5   | —    | —      | µs    | LP osc mode        |
|               |               |  | 5   | —    | —      | µs    | LP osc mode        |
| 2             | Tcy           | Instruction Cycle Time<br>(Note 1)         | 200 | Tcy  | DC     | ns    | Tcy = 4/Fosc       |
| 3             | TosL,<br>TosH | External Clock in (OSC1) High or Low Time  | 100 | —    | —      | ns    | XT oscillator      |
|               |               |  | 2.5 | —    | —      | µs    | LP oscillator      |
|               |               |  | 15  | —    | —      | ns    | HS oscillator      |
| 4             | TosR,<br>TosF | External Clock in (OSC1) Rise or Fall Time | —   | —    | 25     | ns    | XT oscillator      |
|               |               |  | —   | —    | 50     | ns    | LP oscillator      |
|               |               |  | —   | —    | 15     | ns    | HS oscillator      |

† Data in "Typ" column is at 5V, 25°C unless otherwise stated. These parameters are for design guidance only and are not tested.

**Note 1:** Instruction cycle period (Tcy) equals four times the input oscillator time-base period. All specified values are based on characterization data for that particular oscillator type under standard operating conditions, with the device executing code. Exceeding these specified limits may result in an unstable oscillator operation and/or higher than expected current consumption. All devices are tested to operate at "min." values with an external clock applied to the OSC1/CLKIN pin. When an external clock input is used, the "max." cycle time limit is "DC" (no clock) for all devices.

**FIGURE 15-7: CLKOUT AND I/O TIMING**



**TABLE 15-2: CLKOUT AND I/O TIMING REQUIREMENTS**

| Param No. | Symbol   | Characteristic  | Min           | Typ† | Max         | Units | Conditions |  |
|-----------|----------|---|---------------|------|-------------|-------|------------|--|
| 10*       | TosH2ckL | OSC1↑ to CLKOUT↓  | —             | 75   | 200         | ns    | (Note 1)   |  |
| 11*       | TosH2ckH | OSC1↑ to CLKOUT↑  | —             | 75   | 200         | ns    | (Note 1)   |  |
| 12*       | TckR     | CLKOUT rise time  | —             | 35   | 100         | ns    | (Note 1)   |  |
| 13*       | TckF     | CLKOUT fall time  | —             | 35   | 100         | ns    | (Note 1)   |  |
| 14*       | TckL2ioV | CLKOUT ↓ to Port out valid                                | —             | —    | 0.5TCY + 20 | ns    | (Note 1)   |  |
| 15*       | TioV2ckH | Port in valid before CLKOUT ↑                             | Tosc + 200    | —    | —           | ns    | (Note 1)   |  |
| 16*       | TckH2ioI | Port in hold after CLKOUT ↑                               | 0             | —    | —           | ns    | (Note 1)   |  |
| 17*       | TosH2ioV | OSC1↑ (Q1 cycle) to Port out valid                        | —             | 100  | 255         | ns    |            |  |
| 18*       | TosH2ioI | OSC1↑ (Q2 cycle) to Port input invalid (I/O in hold time) | Standard (F)  | 100  | —           | —     | ns         |  |
|           |          |   | Extended (LF) | 200  | —           | —     | ns         |  |
| 19*       | TioV2osh | Port input valid to OSC1↑ (I/O in setup time)             | 0             | —    | —           | ns    |            |  |
| 20*       | TioR     | Port output rise time                                     | Standard (F)  | —    | 10          | 40    | ns         |  |
|           |          |   | Extended (LF) | —    | —           | 145   | ns         |  |
| 21*       | TioF     | Port output fall time                                     | Standard (F)  | —    | 10          | 40    | ns         |  |
|           |          |   | Extended (LF) | —    | —           | 145   | ns         |  |
| 22††*     | Tinp     | INT pin high or low time                                  | TCY           | —    | —           | ns    |            |  |
| 23††*     | Trbp     | RB7:RB4 change INT high or low time                       | TCY           | —    | —           | ns    |            |  |

\* These parameters are characterized but not tested.

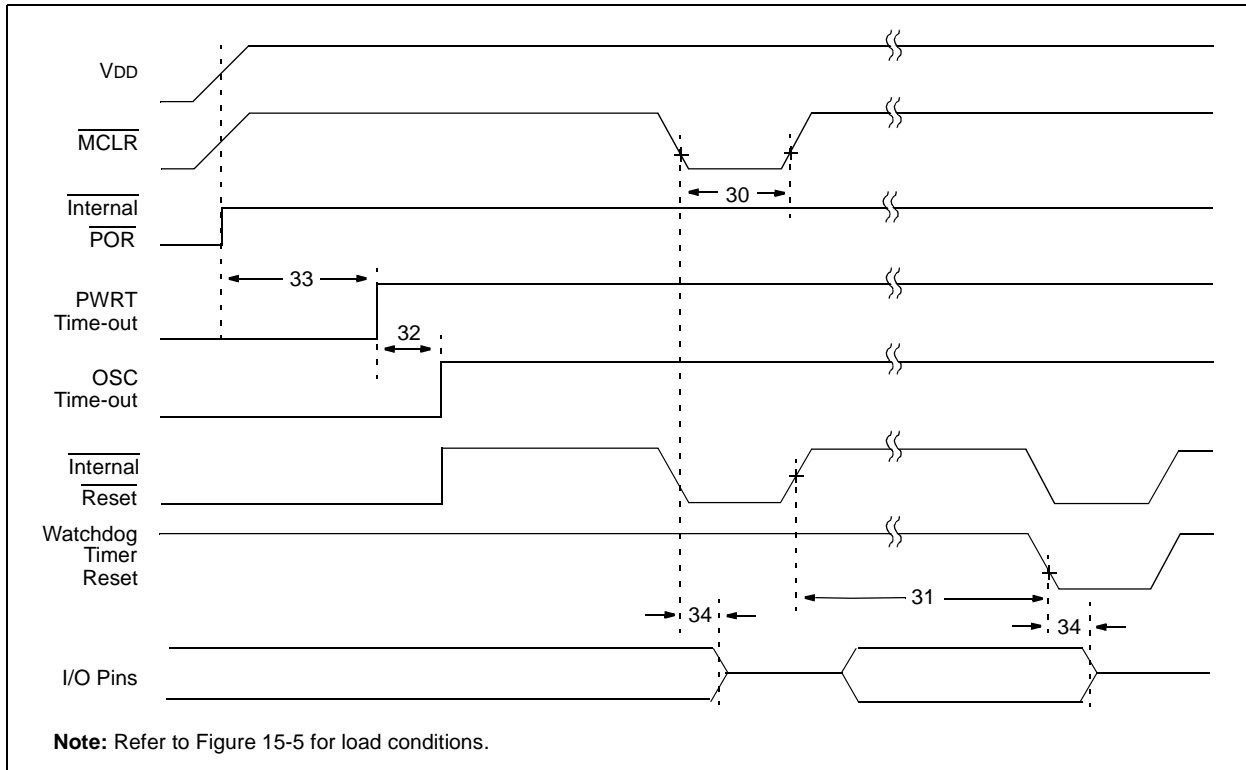
† Data in "Typ" column is at 5V, 25°C unless otherwise stated. These parameters are for design guidance only and are not tested.

†† These parameters are asynchronous events not related to any internal clock edges.

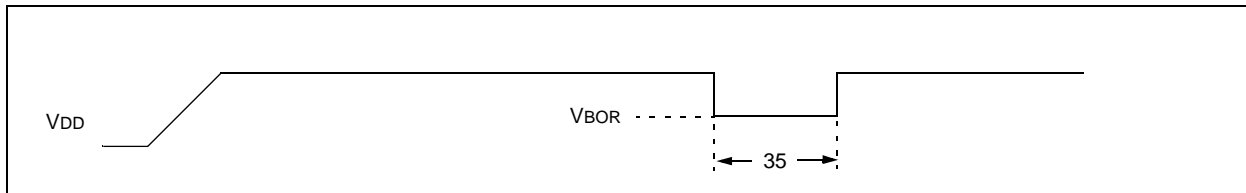
**Note 1:** Measurements are taken in RC mode where CLKOUT output is 4 x TOSC.

# PIC16F87X

**FIGURE 15-8: RESET, WATCHDOG TIMER, OSCILLATOR START-UP TIMER AND POWER-UP TIMER TIMING**



**FIGURE 15-9: BROWN-OUT RESET TIMING**



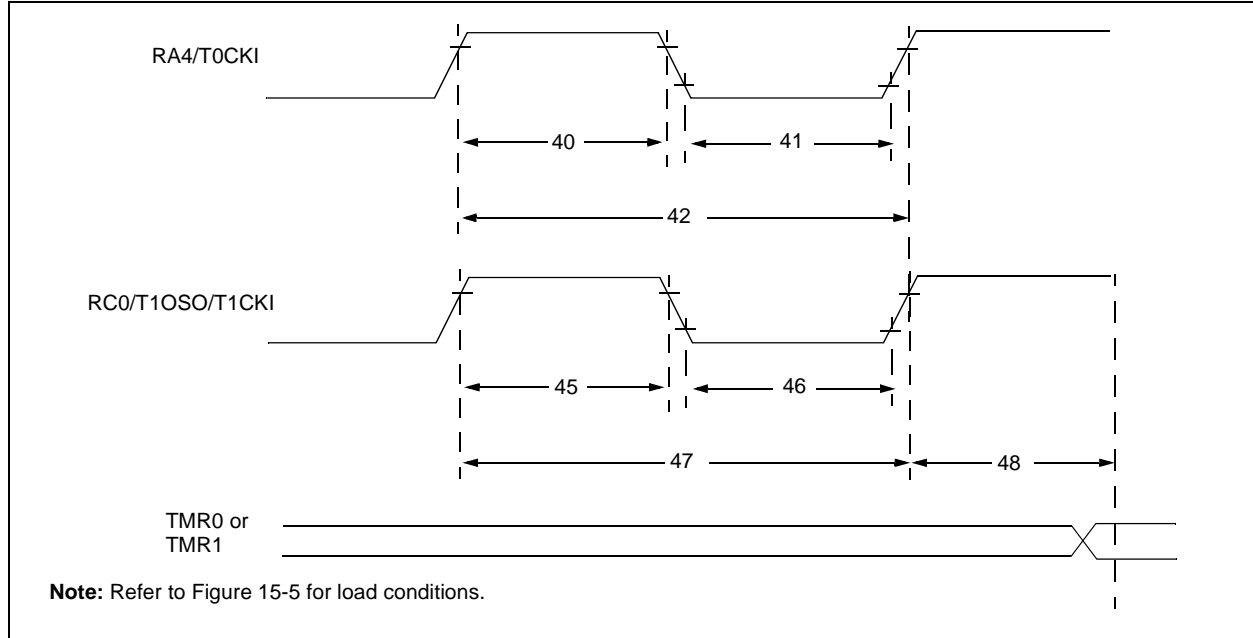
**TABLE 15-3: RESET, WATCHDOG TIMER, OSCILLATOR START-UP TIMER, POWER-UP TIMER, AND BROWN-OUT RESET REQUIREMENTS**

| Parameter No. | Symbol | Characteristic   | Min | Typ†      | Max | Units | Conditions               |
|---------------|--------|--|-----|-----------|-----|-------|--------------------------|
| 30            | Tmcl   | MCLR Pulse Width (low)                                 | 2   | —         | —   | μs    | VDD = 5V, -40°C to +85°C |
| 31*           | Twdt   | Watchdog Timer Time-out Period (No Prescaler)          | 7   | 18        | 33  | ms    | VDD = 5V, -40°C to +85°C |
| 32            | Tost   | Oscillation Start-up Timer Period                      | —   | 1024 TOSC | —   | —     | TOSC = OSC1 period       |
| 33*           | Tpwrt  | Power-up Timer Period                                  | 28  | 72        | 132 | ms    | VDD = 5V, -40°C to +85°C |
| 34            | Tioz   | I/O Hi-impedance from MCLR Low or Watchdog Timer Reset | —   | —         | 2.1 | μs    |                          |
| 35            | TBOR   | Brown-out Reset pulse width                            | 100 | —         | —   | μs    | VDD ≤ VBOR (D005)        |

\* These parameters are characterized but not tested.

† Data in "Typ" column is at 5V, 25°C unless otherwise stated. These parameters are for design guidance only and are not tested.

**FIGURE 15-10: TIMER0 AND TIMER1 EXTERNAL CLOCK TIMINGS**



**TABLE 15-4: TIMER0 AND TIMER1 EXTERNAL CLOCK REQUIREMENTS**

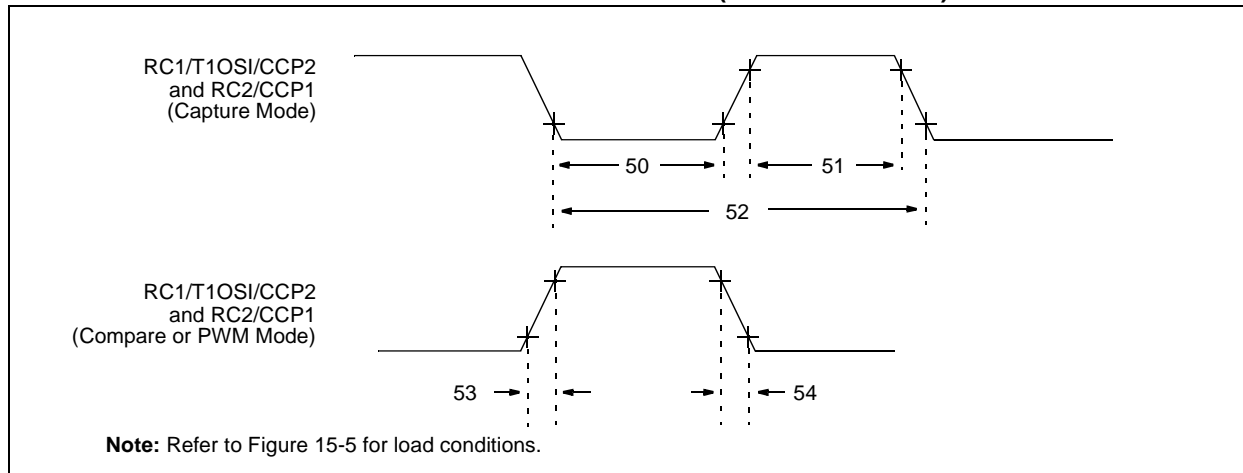
| Param No. | Symbol    | Characteristic  |                                | Min  | Typ†   | Max        | Units | Conditions                          |                                 |
|-----------|-----------|---|--------------------------------|--|--|------------|-------|-------------------------------------|---------------------------------|
| 40*       | Tt0H      | T0CKI High Pulse Width  | No Prescaler                   | $0.5T_{CY} + 20$                               | —  | —          | ns    | Must also meet parameter 42         |                                 |
|           |           |   | With Prescaler                 | 10   | —  | —          | ns    |                                     |                                 |
| 41*       | Tt0L      | T0CKI Low Pulse Width   | No Prescaler                   | $0.5T_{CY} + 20$                               | —  | —          | ns    | Must also meet parameter 42         |                                 |
|           |           |   | With Prescaler                 | 10   | —  | —          | ns    |                                     |                                 |
| 42*       | Tt0P      | T0CKI Period  | No Prescaler                   | $T_{CY} + 40$                                  | —  | —          | ns    | N = prescale value (2, 4, ..., 256) |                                 |
|           |           |   | With Prescaler                 | Greater of:<br>$20$ or $\frac{T_{CY} + 40}{N}$ | —  | —          | ns    |                                     |                                 |
| 45*       | Tt1H      | T1CKI High Time   | Synchronous, Prescaler = 1     | $0.5T_{CY} + 20$                               | —  | —          | ns    | Must also meet parameter 47         |                                 |
|           |           |   | Synchronous, Prescaler = 2,4,8 | Standard(F)                                    | 15   | —          | —     |                                     | ns                              |
|           |           |   | Extended(LF)                   | 25   | —  | —          | ns    |                                     |                                 |
|           |           |   | Asynchronous                   | Standard(F)                                    | 30   | —          | —     |                                     | ns                              |
| 46*       | Tt1L      | T1CKI Low Time  | Synchronous, Prescaler = 1     | $0.5T_{CY} + 20$                               | —  | —          | ns    | Must also meet parameter 47         |                                 |
|           |           |   | Synchronous, Prescaler = 2,4,8 | Standard(F)                                    | 15   | —          | —     |                                     | ns                              |
|           |           |   | Extended(LF)                   | 25   | —  | —          | ns    |                                     |                                 |
|           |           |   | Asynchronous                   | Standard(F)                                    | 30   | —          | —     |                                     | ns                              |
| 47*       | Tt1P      | T1CKI input period  | Synchronous                    | Standard(F)                                    | Greater of:<br>$30$ OR $\frac{T_{CY} + 40}{N}$ | —          | —     | ns                                  | N = prescale value (1, 2, 4, 8) |
|           |           |   |                                | Extended(LF)                                   | Greater of:<br>$50$ OR $\frac{T_{CY} + 40}{N}$ | —          | —     | ns                                  | N = prescale value (1, 2, 4, 8) |
|           |           |   | Asynchronous                   | Standard(F)                                    | 60   | —          | —     | ns                                  |                                 |
|           |           |   |                                | Extended(LF)                                   | 100  | —          | —     | ns                                  |                                 |
|           | Ft1       | Timer1 oscillator input frequency range (oscillator enabled by setting bit T1OSCEN) |                                | DC   | —  | 200        | kHz   |                                     |                                 |
| 48        | TCKEZtmr1 | Delay from external clock edge to timer increment                                   |                                | $2T_{osc}$                                     | —  | $7T_{osc}$ | —     |                                     |                                 |

\* These parameters are characterized but not tested.

† Data in "Typ" column is at 5V, 25°C unless otherwise stated. These parameters are for design guidance only and are not tested.

# PIC16F87X

**FIGURE 15-11: CAPTURE/COMPARE/PWM TIMINGS (CCP1 AND CCP2)**



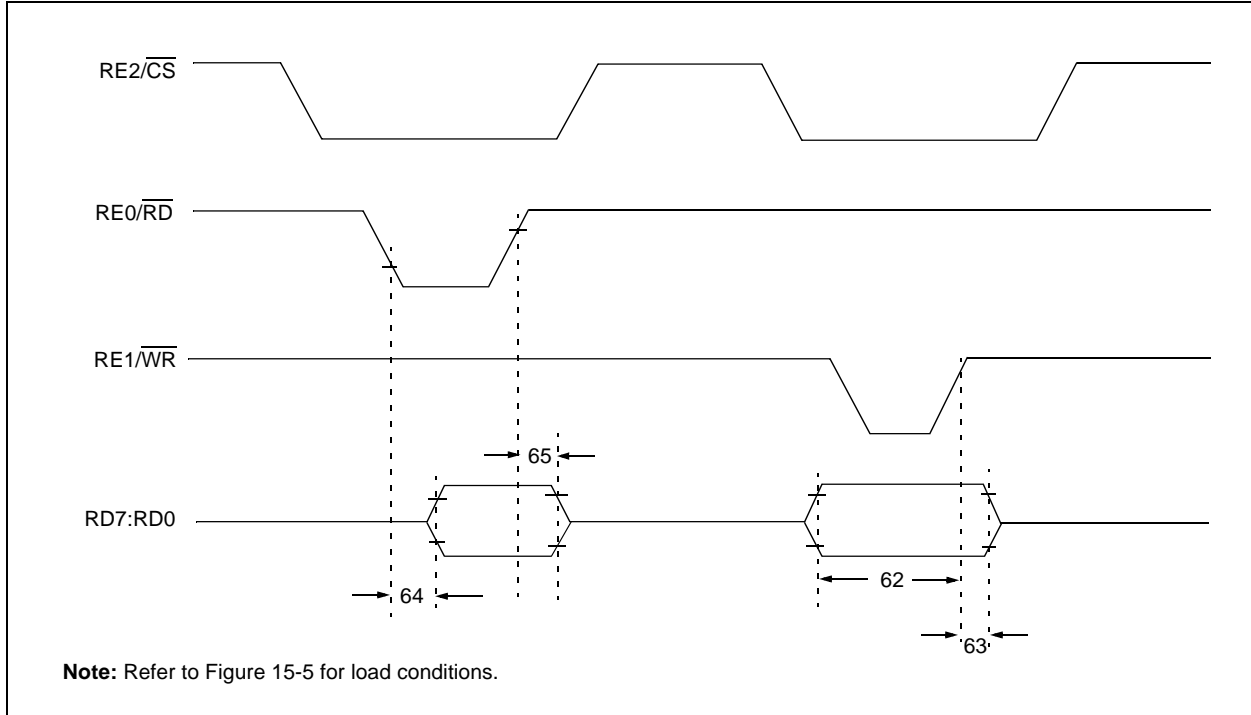
**TABLE 15-5: CAPTURE/COMPARE/PWM REQUIREMENTS (CCP1 AND CCP2)**

| Param No. | Sym  | Characteristic                 |                | Min                      | Typ† | Max | Units | Conditions                      |    |
|-----------|------|--------------------------------|----------------|--------------------------|------|-----|-------|---------------------------------|----|
| 50*       | TccL | CCP1 and CCP2 input low time   | No Prescaler   | $0.5T_{CY} + 20$         | —    | —   | ns    |                                 |    |
|           |      |                                | With Prescaler | Standard(F)              | 10   | —   | —     |                                 | ns |
|           |      |                                |                | Extended(LF)             | 20   | —   | —     |                                 | ns |
| 51*       | TccH | CCP1 and CCP2 input high time  | No Prescaler   | $0.5T_{CY} + 20$         | —    | —   | ns    |                                 |    |
|           |      |                                | With Prescaler | Standard(F)              | 10   | —   | —     |                                 | ns |
|           |      |                                |                | Extended(LF)             | 20   | —   | —     |                                 | ns |
| 52*       | TccP | CCP1 and CCP2 input period     |                | $\frac{3T_{CY} + 40}{N}$ | —    | —   | ns    | N = prescale value (1, 4 or 16) |    |
| 53*       | TccR | CCP1 and CCP2 output rise time | Standard(F)    | —                        | 10   | 25  | ns    |                                 |    |
|           |      |                                | Extended(LF)   | —                        | 25   | 50  | ns    |                                 |    |
| 54*       | TccF | CCP1 and CCP2 output fall time | Standard(F)    | —                        | 10   | 25  | ns    |                                 |    |
|           |      |                                | Extended(LF)   | —                        | 25   | 45  | ns    |                                 |    |

\* These parameters are characterized but not tested.

† Data in "Typ" column is at 5V, 25°C unless otherwise stated. These parameters are for design guidance only and are not tested.

**FIGURE 15-12: PARALLEL SLAVE PORT TIMING (PIC16F874/877 ONLY)**



**TABLE 15-6: PARALLEL SLAVE PORT REQUIREMENTS (PIC16F874/877 ONLY)**

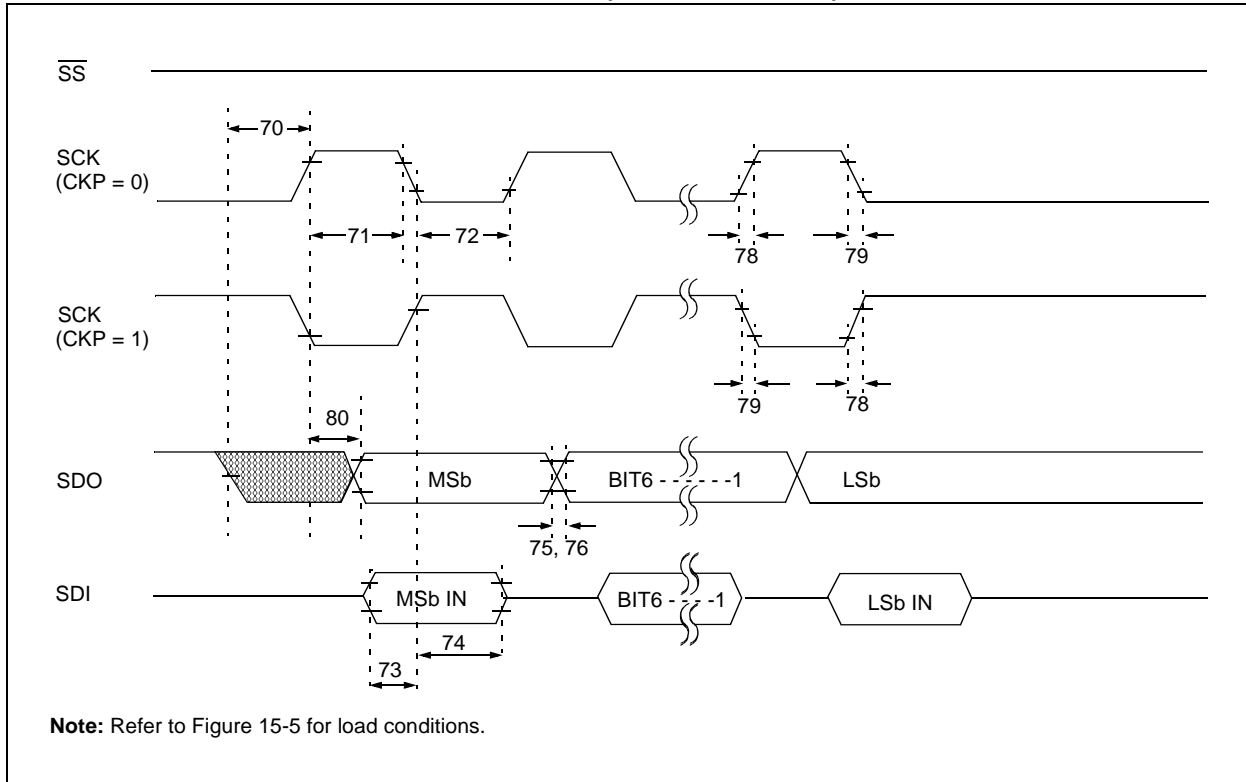
| Parameter No. | Symbol   | Characteristic   | Min          | Typ† | Max | Units | Conditions          |  |
|---------------|----------|--|--------------|------|-----|-------|---------------------|--|
| 62            | TdtV2wrH | Data in valid before $\overline{WR}\uparrow$ or $\overline{CS}\uparrow$ (setup time) | 20           | —    | —   | ns    | Extended Range Only |  |
|               |          |  | 25           | —    | —   | ns    |                     |  |
| 63*           | TwrH2dtI | $\overline{WR}\uparrow$ or $\overline{CS}\uparrow$ to data-in invalid (hold time)    | Standard(F)  | 20   | —   | —     | ns                  |  |
|               |          |  | Extended(LF) | 35   | —   | —     | ns                  |  |
| 64            | TrdL2dtV | $\overline{RD}\downarrow$ and $\overline{CS}\downarrow$ to data-out valid            | —            | —    | 80  | ns    | Extended Range Only |  |
|               |          |  | —            | —    | 90  | ns    |                     |  |
| 65            | TrdH2dtI | $\overline{RD}\uparrow$ or $\overline{CS}\downarrow$ to data-out invalid             | 10           | —    | 30  | ns    |                     |  |

\* These parameters are characterized but not tested.

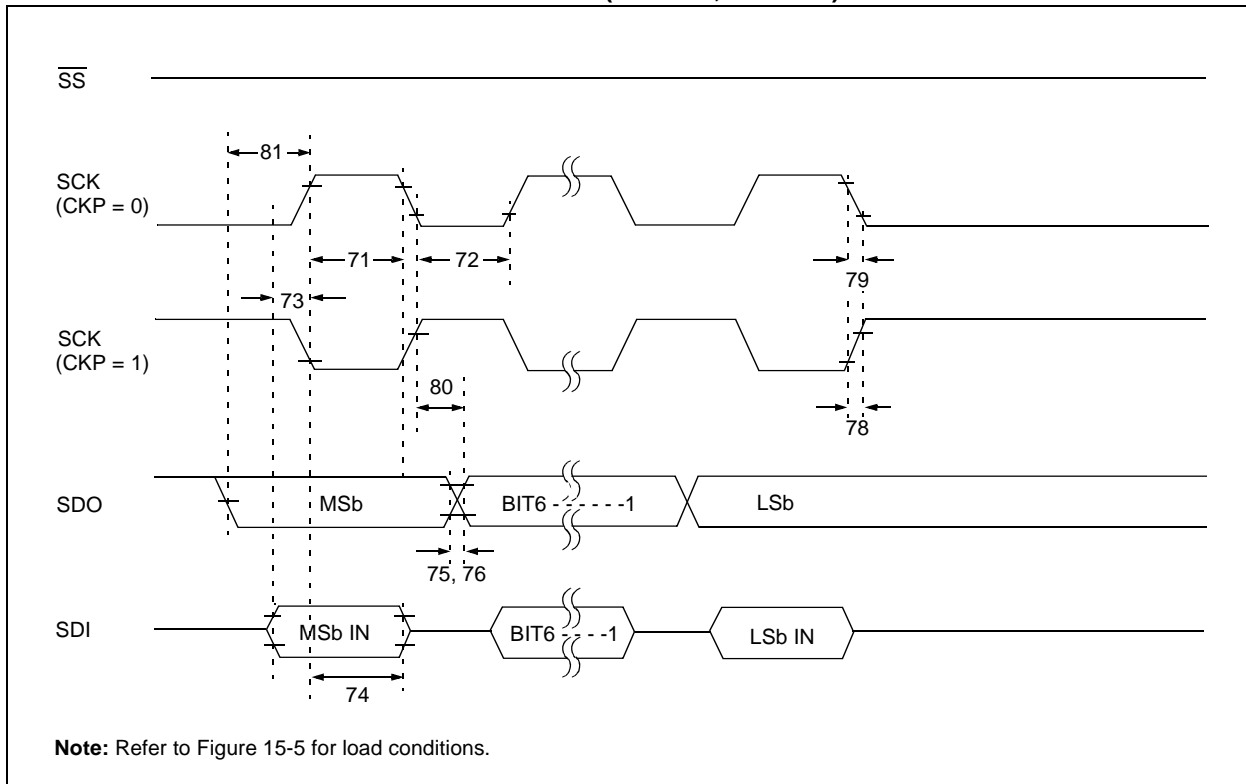
† Data in "Typ" column is at 5V, 25°C unless otherwise stated. These parameters are for design guidance only and are not tested.

# PIC16F87X

**FIGURE 15-13: SPI MASTER MODE TIMING (CKE = 0, SMP = 0)**

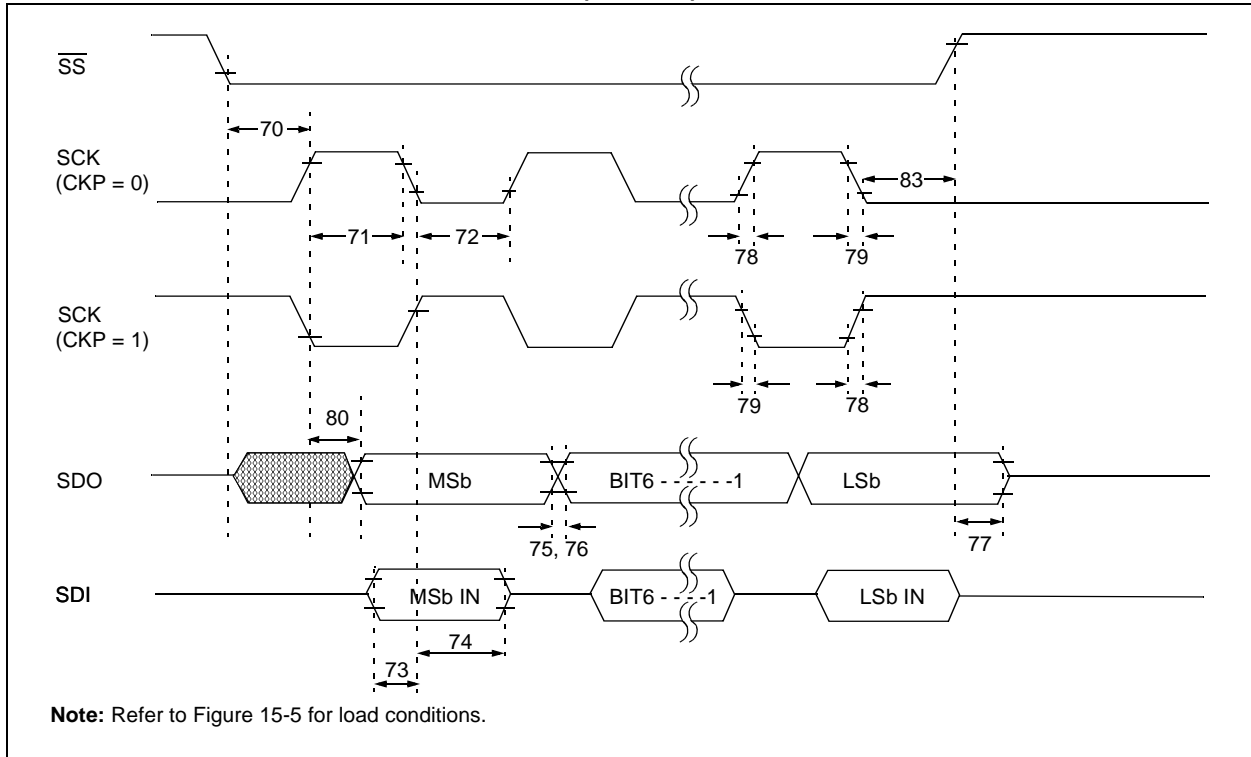


**FIGURE 15-14: SPI MASTER MODE TIMING (CKE = 1, SMP = 1)**

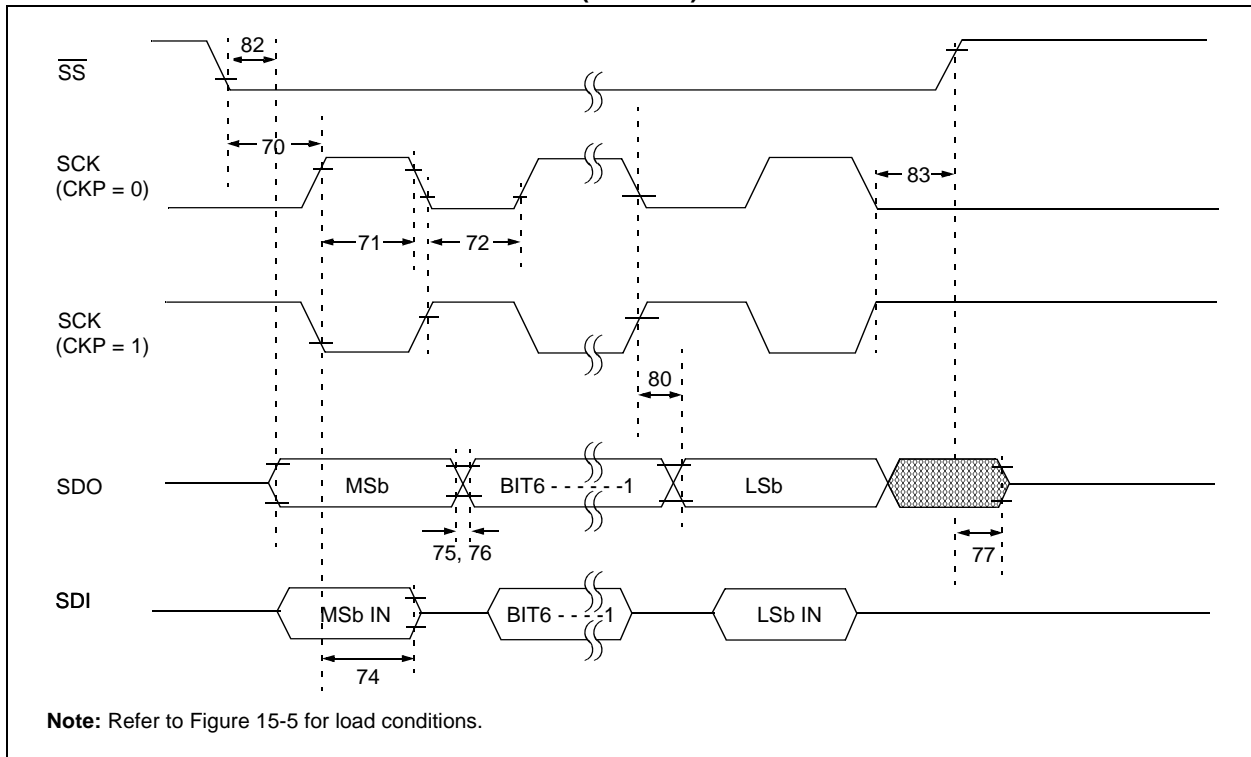




**FIGURE 15-15: SPI SLAVE MODE TIMING (CKE = 0)**



**FIGURE 15-16: SPI SLAVE MODE TIMING (CKE = 1)**



# PIC16F87X

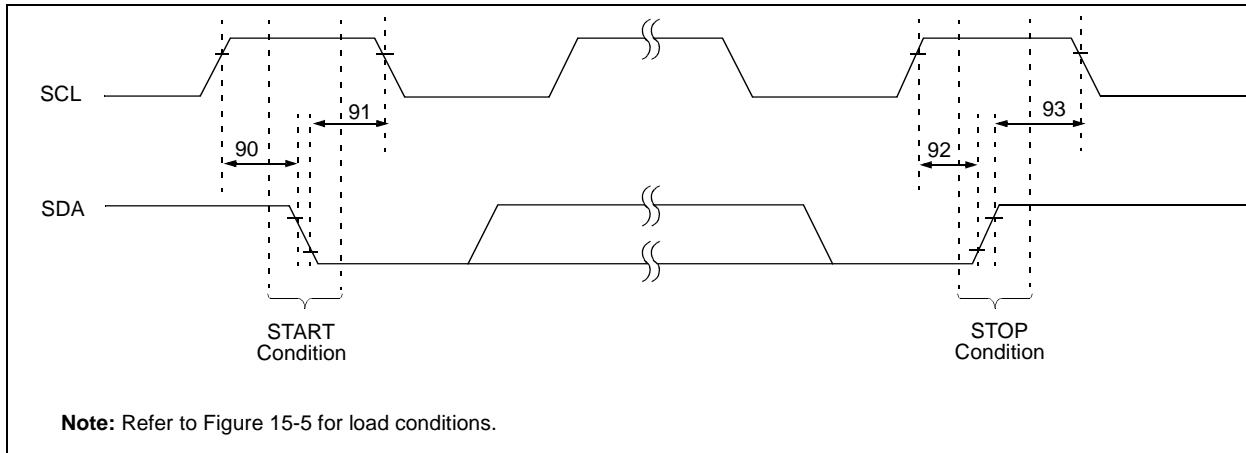
**TABLE 15-7: SPI MODE REQUIREMENTS**

| Param No. | Symbol                | Characteristic  | Min         | Typ† | Max | Units | Conditions                  |
|-----------|-----------------------|---|-------------|------|-----|-------|-----------------------------|
| 70*       | TssL2scH,<br>TssL2scL | $\overline{SS}\downarrow$ to SCK $\downarrow$ or SCK $\uparrow$ input | Tcy         | —    | —   | ns    |                             |
| 71*       | TscH                  | SCK input high time (Slave mode)                                      | Tcy + 20    | —    | —   | ns    |                             |
| 72*       | TscL                  | SCK input low time (Slave mode)                                       | Tcy + 20    | —    | —   | ns    |                             |
| 73*       | TdiV2scH,<br>TdiV2scL | Setup time of SDI data input to SCK edge                              | 100         | —    | —   | ns    |                             |
| 74*       | Tsch2diL,<br>TscL2diL | Hold time of SDI data input to SCK edge                               | 100         | —    | —   | ns    |                             |
| 75*       | TdoR                  | SDO data output rise time   | —           | 10   | 25  | ns    | Standard(F)<br>Extended(LF) |
| 76*       | TdoF                  | SDO data output fall time   | —           | 10   | 25  | ns    |                             |
| 77*       | TssH2doZ              | $\overline{SS}\uparrow$ to SDO output hi-impedance                    | 10          | —    | 50  | ns    |                             |
| 78*       | TscR                  | SCK output rise time (Master mode)                                    | —           | 10   | 25  | ns    | Standard(F)<br>Extended(LF) |
| 79*       | TscF                  | SCK output fall time (Master mode)                                    | —           | 10   | 25  | ns    |                             |
| 80*       | Tsch2doV,<br>TscL2doV | SDO data output valid after SCK edge                                  | —           | —    | 50  | ns    | Standard(F)<br>Extended(LF) |
| 81*       | TdoV2scH,<br>TdoV2scL | SDO data output setup to SCK edge                                     | Tcy         | —    | —   | ns    |                             |
| 82*       | TssL2doV              | SDO data output valid after $\overline{SS}\downarrow$ edge            | —           | —    | 50  | ns    |                             |
| 83*       | Tsch2ssH,<br>TscL2ssH | $\overline{SS}\uparrow$ after SCK edge                                | 1.5Tcy + 40 | —    | —   | ns    |                             |

\* These parameters are characterized but not tested.

† Data in "Typ" column is at 5V, 25°C unless otherwise stated. These parameters are for design guidance only and are not tested.

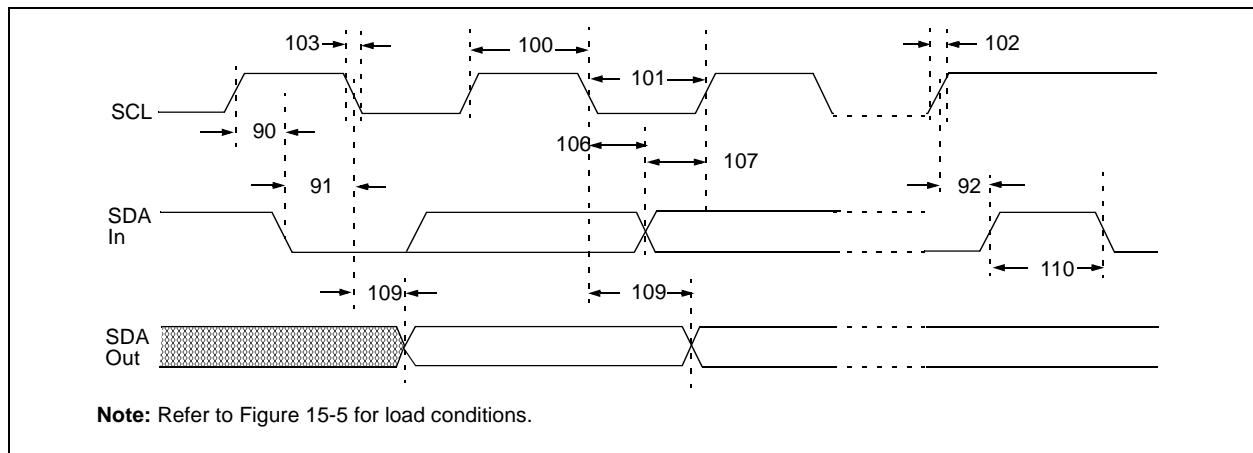
**FIGURE 15-17: I<sup>2</sup>C BUS START/STOP BITS TIMING**



**TABLE 15-8: I<sup>2</sup>C BUS START/STOP BITS REQUIREMENTS**

| Parameter No. | Symbol  | Characteristic  | Min          | Typ  | Max | Units | Conditions |   |
|---------------|---------|-----------------|--------------|------|-----|-------|------------|---|
| 90            | Tsu:sta | START condition | 100 kHz mode | 4700 | —   | —     | ns         | Only relevant for Repeated START condition            |
|               |         | Setup time      | 400 kHz mode | 600  | —   | —     |            |   |
| 91            | Thd:sta | START condition | 100 kHz mode | 4000 | —   | —     | ns         | After this period, the first clock pulse is generated |
|               |         | Hold time       | 400 kHz mode | 600  | —   | —     |            |   |
| 92            | Tsu:sto | STOP condition  | 100 kHz mode | 4700 | —   | —     | ns         |   |
|               |         | Setup time      | 400 kHz mode | 600  | —   | —     |            |   |
| 93            | Thd:sto | STOP condition  | 100 kHz mode | 4000 | —   | —     | ns         |   |
|               |         | Hold time       | 400 kHz mode | 600  | —   | —     |            |   |

**FIGURE 15-18: I<sup>2</sup>C BUS DATA TIMING**



# PIC16F87X

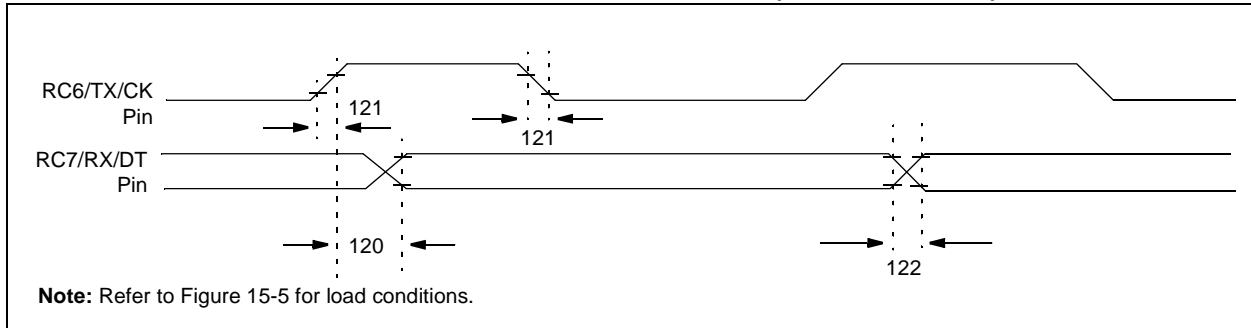
**TABLE 15-9: I<sup>2</sup>C BUS DATA REQUIREMENTS**

| Param No. | Sym     | Characteristic             |              | Min        | Max  | Units | Conditions  |
|-----------|---------|----------------------------|--------------|------------|------|-------|---|
| 100       | Thigh   | Clock high time            | 100 kHz mode | 4.0        | —    | μs    | Device must operate at a minimum of 1.5 MHz                   |
|           |         |                            | 400 kHz mode | 0.6        | —    | μs    | Device must operate at a minimum of 10 MHz                    |
|           |         |                            | SSP Module   | 0.5Tcy     | —    |       |   |
| 101       | Tlow    | Clock low time             | 100 kHz mode | 4.7        | —    | μs    | Device must operate at a minimum of 1.5 MHz                   |
|           |         |                            | 400 kHz mode | 1.3        | —    | μs    | Device must operate at a minimum of 10 MHz                    |
|           |         |                            | SSP Module   | 0.5Tcy     | —    |       |   |
| 102       | Tr      | SDA and SCL rise time      | 100 kHz mode | —          | 1000 | ns    |   |
|           |         |                            | 400 kHz mode | 20 + 0.1Cb | 300  | ns    | Cb is specified to be from 10 to 400 pF                       |
| 103       | Tf      | SDA and SCL fall time      | 100 kHz mode | —          | 300  | ns    |   |
|           |         |                            | 400 kHz mode | 20 + 0.1Cb | 300  | ns    | Cb is specified to be from 10 to 400 pF                       |
| 90        | Tsu:sta | START condition setup time | 100 kHz mode | 4.7        | —    | μs    | Only relevant for Repeated START condition                    |
|           |         |                            | 400 kHz mode | 0.6        | —    | μs    |   |
| 91        | Thd:sta | START condition hold time  | 100 kHz mode | 4.0        | —    | μs    | After this period, the first clock pulse is generated         |
|           |         |                            | 400 kHz mode | 0.6        | —    | μs    |   |
| 106       | Thd:dat | Data input hold time       | 100 kHz mode | 0          | —    | ns    |   |
|           |         |                            | 400 kHz mode | 0          | 0.9  | μs    |   |
| 107       | Tsu:dat | Data input setup time      | 100 kHz mode | 250        | —    | ns    | <b>(Note 2)</b>   |
|           |         |                            | 400 kHz mode | 100        | —    | ns    |   |
| 92        | Tsu:sto | STOP condition setup time  | 100 kHz mode | 4.7        | —    | μs    |   |
|           |         |                            | 400 kHz mode | 0.6        | —    | μs    |   |
| 109       | Taa     | Output valid from clock    | 100 kHz mode | —          | 3500 | ns    | <b>(Note 1)</b>   |
|           |         |                            | 400 kHz mode | —          | —    | ns    |   |
| 110       | Tbuf    | Bus free time              | 100 kHz mode | 4.7        | —    | μs    | Time the bus must be free before a new transmission can start |
|           |         |                            | 400 kHz mode | 1.3        | —    | μs    |   |
|           | Cb      | Bus capacitive loading     |              | —          | 400  | pF    |   |

**Note 1:** As a transmitter, the device must provide this internal minimum delay time to bridge the undefined region (min. 300 ns) of the falling edge of SCL to avoid unintended generation of START or STOP conditions.

**2:** A fast mode (400 kHz) I<sup>2</sup>C bus device can be used in a standard mode (100 kHz) I<sup>2</sup>C bus system, but the requirement that Tsu:dat ≥ 250 ns must then be met. This will automatically be the case if the device does not stretch the LOW period of the SCL signal. If such a device does stretch the LOW period of the SCL signal, it must output the next data bit to the SDA line TR max.+ Tsu:dat = 1000 + 250 = 1250 ns (according to the standard mode I<sup>2</sup>C bus specification) before the SCL line is released.

**FIGURE 15-19: USART SYNCHRONOUS TRANSMISSION (MASTER/SLAVE) TIMING**

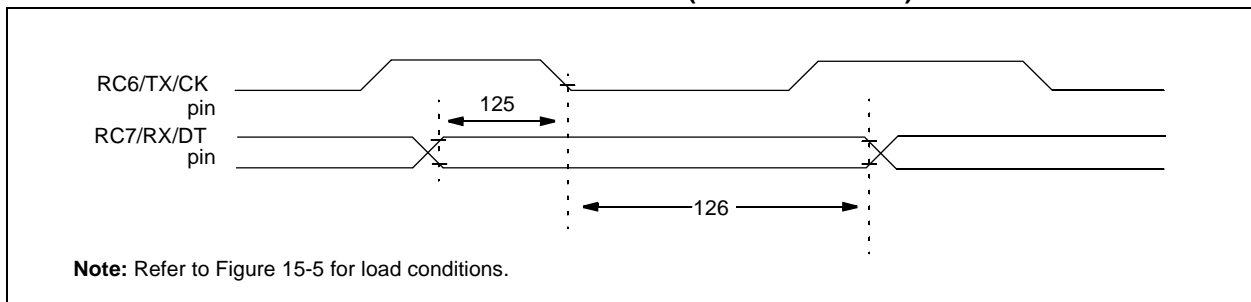


**TABLE 15-10: USART SYNCHRONOUS TRANSMISSION REQUIREMENTS**

| Param No. | Sym      | Characteristic  | Min          | Typ† | Max | Units | Conditions |  |
|-----------|----------|---|--------------|------|-----|-------|------------|--|
| 120       | TckH2dtV | <u>SYNC XMIT (MASTER &amp; SLAVE)</u><br>Clock high to data out valid | —            | —    | 80  | ns    |            |  |
|           |          |   | —            | —    | 100 | ns    |            |  |
| 121       | Tckrf    | Clock out rise time and fall time (Master mode)                       | Standard(F)  | —    | —   | 45    | ns         |  |
|           |          |   | Extended(LF) | —    | —   | 50    | ns         |  |
| 122       | Tdtrf    | Data out rise time and fall time                                      | Standard(F)  | —    | —   | 45    | ns         |  |
|           |          |   | Extended(LF) | —    | —   | 50    | ns         |  |

† Data in "Typ" column is at 5V, 25°C unless otherwise stated. These parameters are for design guidance only and are not tested.

**FIGURE 15-20: USART SYNCHRONOUS RECEIVE (MASTER/SLAVE) TIMING**



**TABLE 15-11: USART SYNCHRONOUS RECEIVE REQUIREMENTS**

| Parameter No. | Sym      | Characteristic   | Min | Typ† | Max | Units | Conditions |
|---------------|----------|--|-----|------|-----|-------|------------|
| 125           | TdtV2ckL | <u>SYNC RCV (MASTER &amp; SLAVE)</u><br>Data setup before CK ↓ (DT setup time) | 15  | —    | —   | ns    |            |
| 126           | TckL2dtl | Data hold after CK ↓ (DT hold time)  | 15  | —    | —   | ns    |            |

† Data in "Typ" column is at 5V, 25°C unless otherwise stated. These parameters are for design guidance only and are not tested.

# PIC16F87X

**TABLE 15-12: PIC16F87X-04 (COMMERCIAL, INDUSTRIAL, EXTENDED)  
PIC16F87X-10 (EXTENDED)  
PIC16F87X-20 (COMMERCIAL, INDUSTRIAL)  
PIC16LF87X-04 (COMMERCIAL, INDUSTRIAL)**

| Param No. | Sym   | Characteristic                                 | Min              | Typ†       | Max               | Units      | Conditions   |
|-----------|-------|--|------------------|------------|-------------------|------------|--|
| A01       | NR    | Resolution                                     | —                | —          | 10-bits           | bit        | $V_{REF} = V_{DD} = 5.12V$ ,<br>$V_{SS} \leq V_{AIN} \leq V_{REF}$   |
| A03       | EIL   | Integral linearity error                       | —                | —          | $< \pm 1$         | LSb        | $V_{REF} = V_{DD} = 5.12V$ ,<br>$V_{SS} \leq V_{AIN} \leq V_{REF}$   |
| A04       | EDL   | Differential linearity error                   | —                | —          | $< \pm 1$         | LSb        | $V_{REF} = V_{DD} = 5.12V$ ,<br>$V_{SS} \leq V_{AIN} \leq V_{REF}$   |
| A06       | E0FF  | Offset error                                   | —                | —          | $< \pm 2$         | LSb        | $V_{REF} = V_{DD} = 5.12V$ ,<br>$V_{SS} \leq V_{AIN} \leq V_{REF}$   |
| A07       | EGN   | Gain error                                     | —                | —          | $< \pm 1$         | LSb        | $V_{REF} = V_{DD} = 5.12V$ ,<br>$V_{SS} \leq V_{AIN} \leq V_{REF}$   |
| A10       | —     | Monotonicity <sup>(3)</sup>                    | —                | guaranteed | —                 | —          | $V_{SS} \leq V_{AIN} \leq V_{REF}$   |
| A20       | VREF  | Reference voltage ( $V_{REF+} - V_{REF-}$ )    | 2.0              | —          | $V_{DD} + 0.3$    | V          | Absolute minimum electrical spec. To ensure 10-bit accuracy.   |
| A21       | VREF+ | Reference voltage High                         | $AV_{DD} - 2.5V$ | —          | $AV_{DD} + 0.3V$  | V          |  |
| A22       | VREF- | Reference voltage low                          | $AV_{SS} - 0.3V$ | —          | $V_{REF+} - 2.0V$ | V          |  |
| A25       | VAIN  | Analog input voltage                           | $V_{SS} - 0.3V$  | —          | $V_{REF+} + 0.3V$ | V          |  |
| A30       | ZAIN  | Recommended impedance of analog voltage source | —                | —          | 10.0              | k $\Omega$ |  |
| A40       | IAD   | A/D conversion current ( $V_{DD}$ )            | Standard         | 220        | —                 | $\mu A$    | Average current consumption when A/D is on ( <b>Note 1</b> )   |
|           |       |  | Extended         | 90         | —                 | $\mu A$    |  |
| A50       | IREF  | VREF input current ( <b>Note 2</b> )           | 10               | —          | 1000              | $\mu A$    | During $V_{AIN}$ acquisition. Based on differential of $V_{HOLD}$ to $V_{AIN}$ to charge $CHOLD$ , see Section 11.1. |
|           |       |  | —                | —          | 10                | $\mu A$    | During A/D Conversion cycle  |

\* These parameters are characterized but not tested.

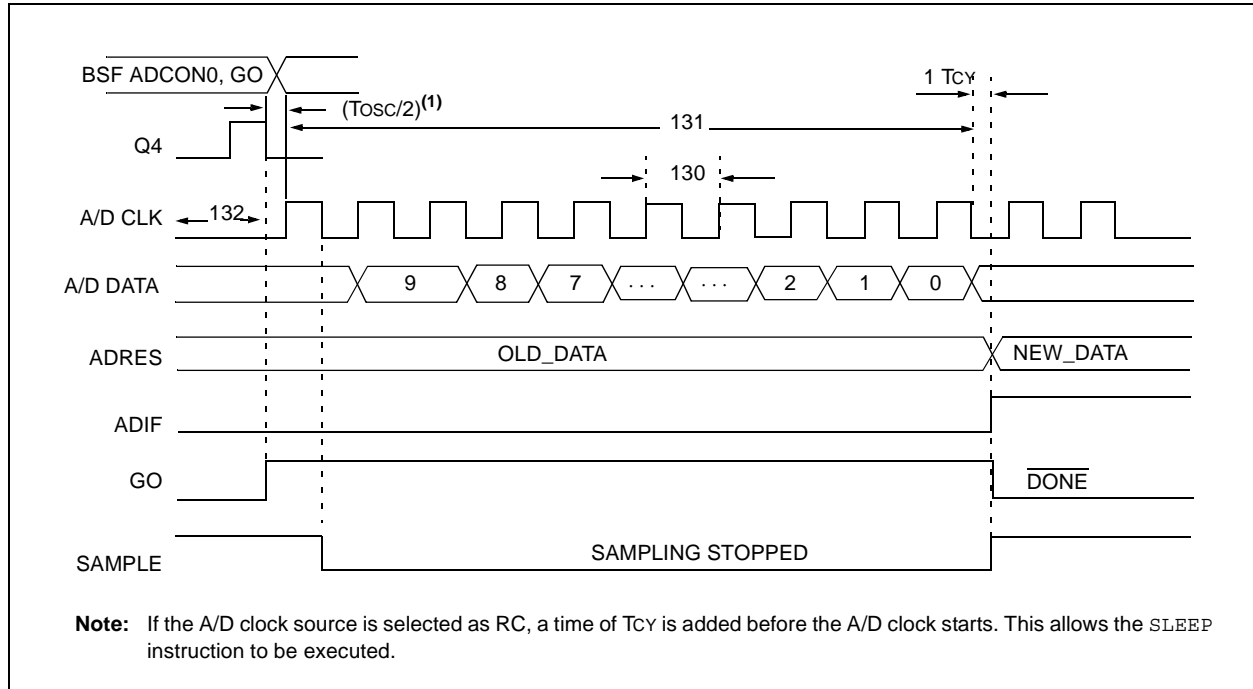
† Data in "Typ" column is at 5V, 25°C unless otherwise stated. These parameters are for design guidance only and are not tested.

**Note 1:** When A/D is off, it will not consume any current other than minor leakage current. The power-down current spec includes any such leakage from the A/D module.

**2:**  $V_{REF}$  current is from RA3 pin or  $V_{DD}$  pin, whichever is selected as reference input.

**3:** The A/D conversion result never decreases with an increase in the input voltage, and has no missing codes.

**FIGURE 15-21: A/D CONVERSION TIMING**



**TABLE 15-13: A/D CONVERSION REQUIREMENTS**

| Param No. | Sym  | Characteristic                                       | Min          | Typ†          | Max | Units   | Conditions  |                                 |
|-----------|------|--|--------------|---------------|-----|---------|---|---------------------------------|
| 130       | TAD  | A/D clock period                                     | Standard(F)  | 1.6           | —   | —       | $\mu$ s   | TOSC based, $V_{REF} \geq 3.0V$ |
|           |      |  | Extended(LF) | 3.0           | —   | —       | $\mu$ s   | TOSC based, $V_{REF} \geq 2.0V$ |
|           |      | A/D RC mode  | Standard(F)  | 2.0           | 4.0 | 6.0     | $\mu$ s   |                                 |
|           |      |  | Extended(LF) | 3.0           | 6.0 | 9.0     | $\mu$ s   |                                 |
| 131       | TCNV | Conversion time (not including S/H time)<br>(Note 1) |              | —             | 12  | TAD     |   |                                 |
| 132       | TACQ | Acquisition time                                     | (Note 2)     | 40            | —   | $\mu$ s | The minimum time is the amplifier settling time. This may be used if the "new" input voltage has not changed by more than 1 LSB (i.e., 20.0 mV @ 5.12V) from the last sampled voltage (as stated on CHOLD). |                                 |
|           |      |  | 10*          | —             | —   | $\mu$ s |   |                                 |
| 134       | TGO  | Q4 to A/D clock start                                | —            | $T_{OSC}/2$ § | —   | —       | If the A/D clock source is selected as RC, a time of $T_{CY}$ is added before the A/D clock starts. This allows the SLEEP instruction to be executed.   |                                 |

\* These parameters are characterized but not tested.

† Data in "Typ" column is at 5V, 25°C unless otherwise stated. These parameters are for design guidance only and are not tested.

§ This specification ensured by design.

**Note 1:** ADRES register may be read on the following  $T_{CY}$  cycle.

**Note 2:** See Section 11.1 for minimum conditions.

# PIC16F87X

---

NOTES:



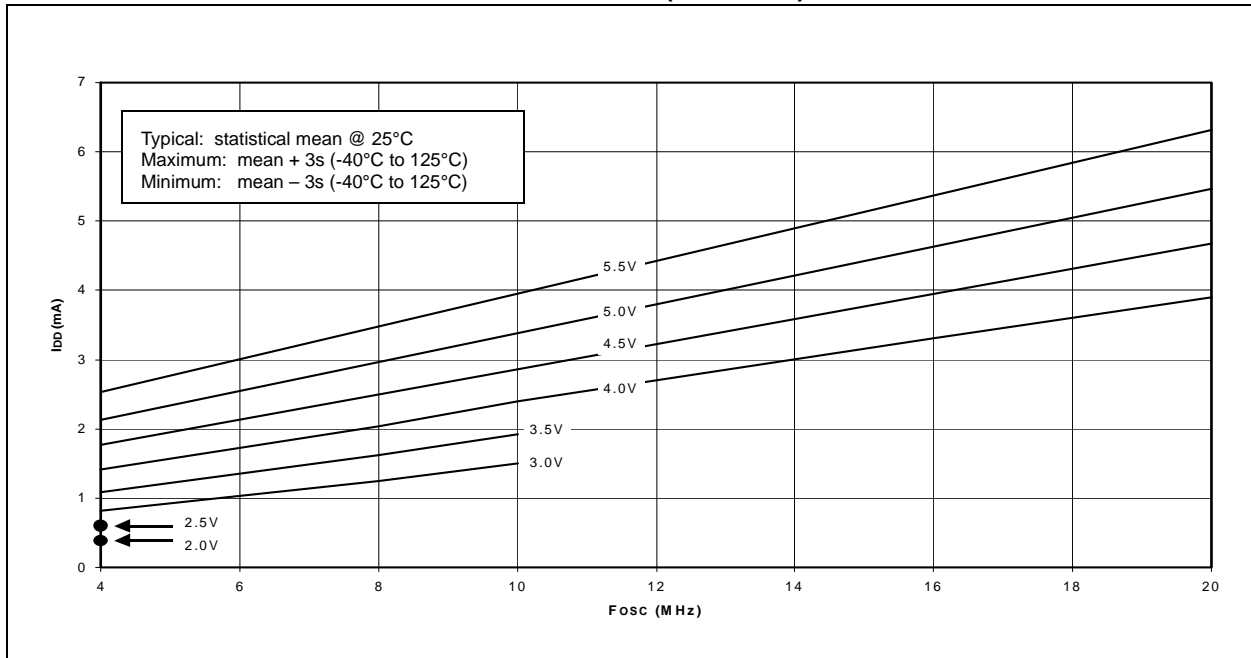
## 16.0 DC AND AC CHARACTERISTICS GRAPHS AND TABLES

The graphs and tables provided in this section are for **design guidance** and are **not tested**.

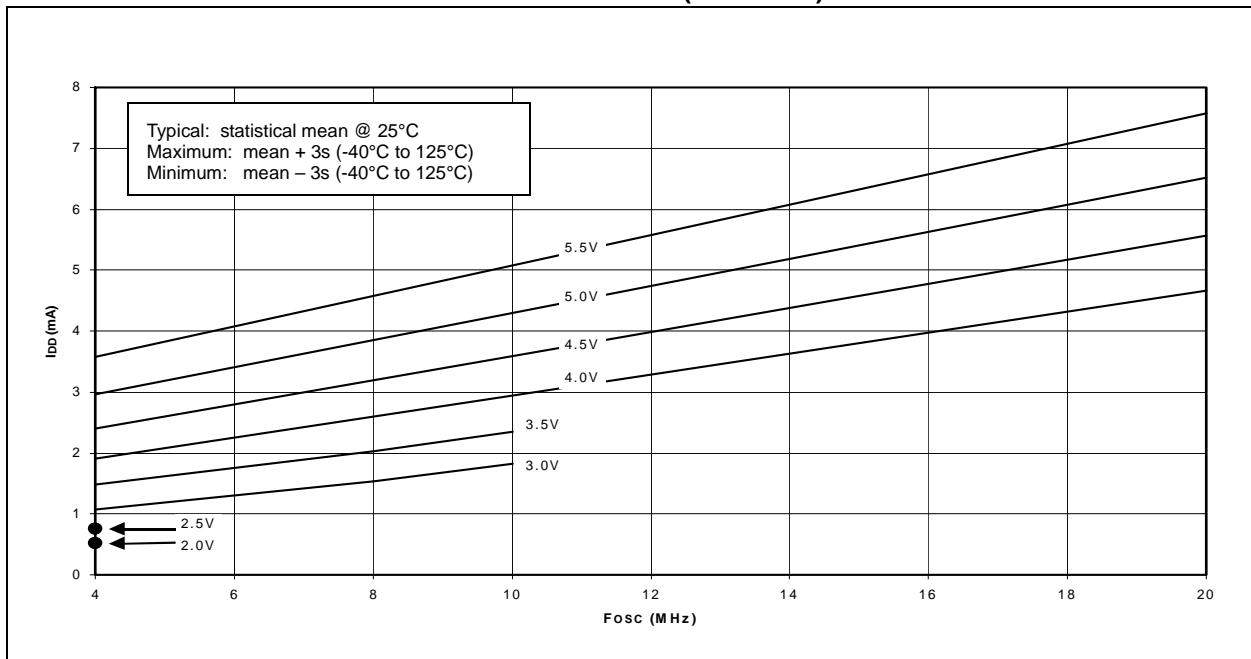
In some graphs or tables, the data presented is **outside specified operating range** (i.e., outside specified  $V_{DD}$  range). This is for **information only** and devices are ensured to operate properly only within the specified range.

The data presented in this section is a **statistical summary** of data collected on units from different lots over a period of time and matrix samples. 'Typical' represents the mean of the distribution at 25°C. 'max' or 'min' represents (mean + 3 $\sigma$ ) or (mean - 3 $\sigma$ ) respectively, where  $\sigma$  is standard deviation, over the whole temperature range.

**FIGURE 16-1: TYPICAL  $I_{DD}$  vs.  $F_{osc}$  OVER  $V_{DD}$  (HS MODE)**



**FIGURE 16-2: MAXIMUM  $I_{DD}$  vs.  $F_{osc}$  OVER  $V_{DD}$  (HS MODE)**



# PIC16F87X

FIGURE 16-3: TYPICAL  $I_{DD}$  vs.  $F_{osc}$  OVER  $V_{DD}$  (XT MODE)

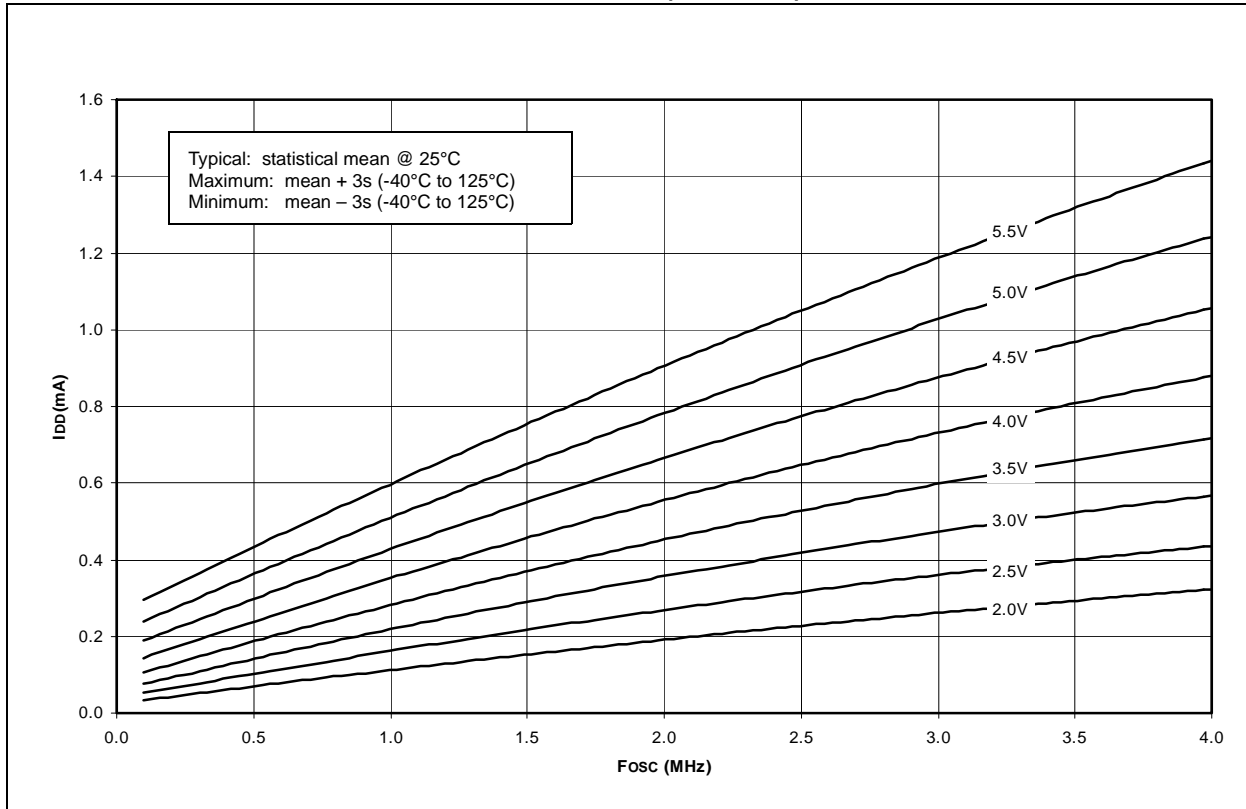
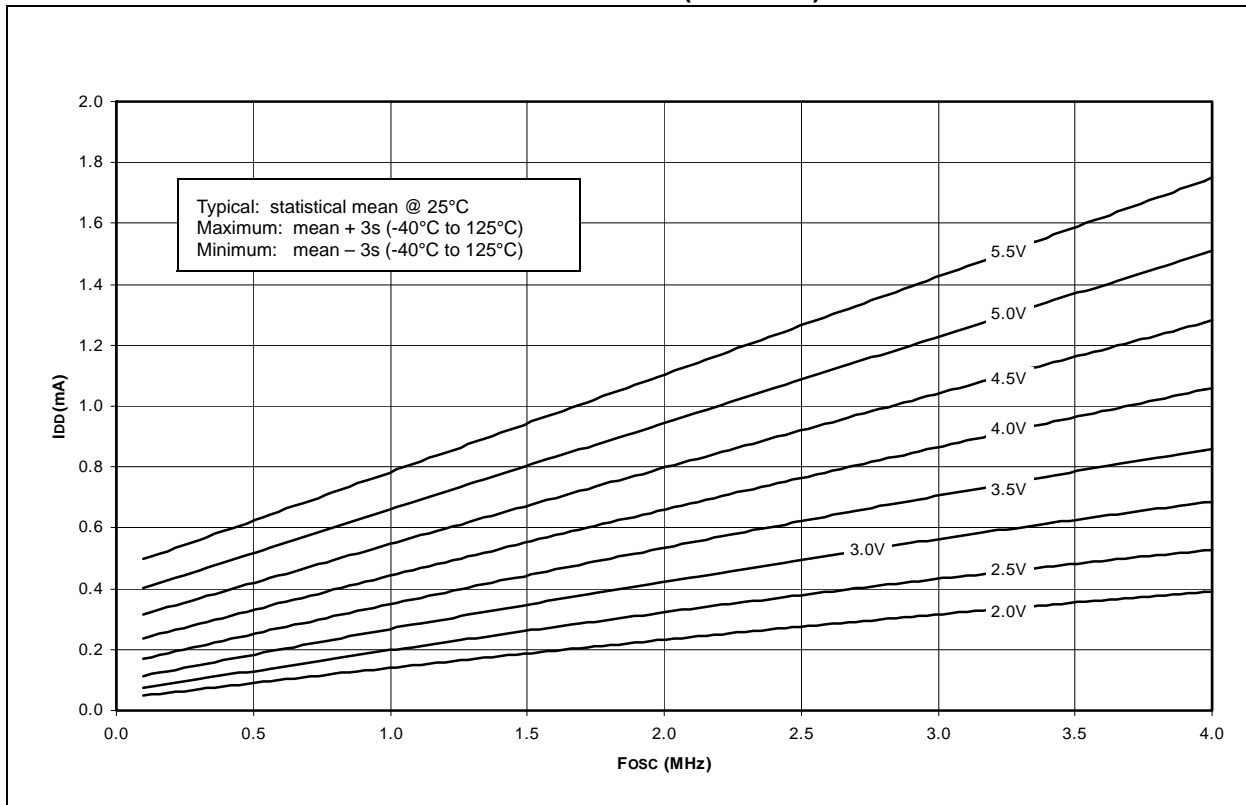
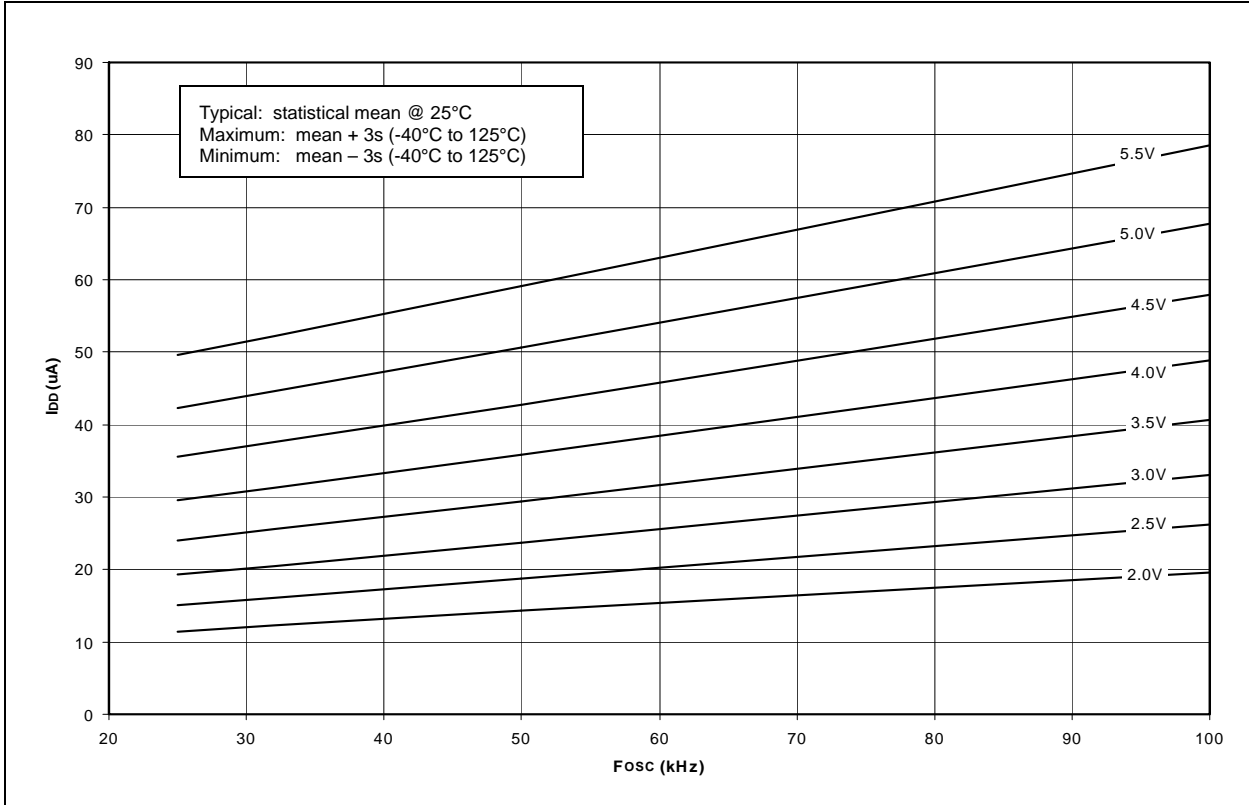


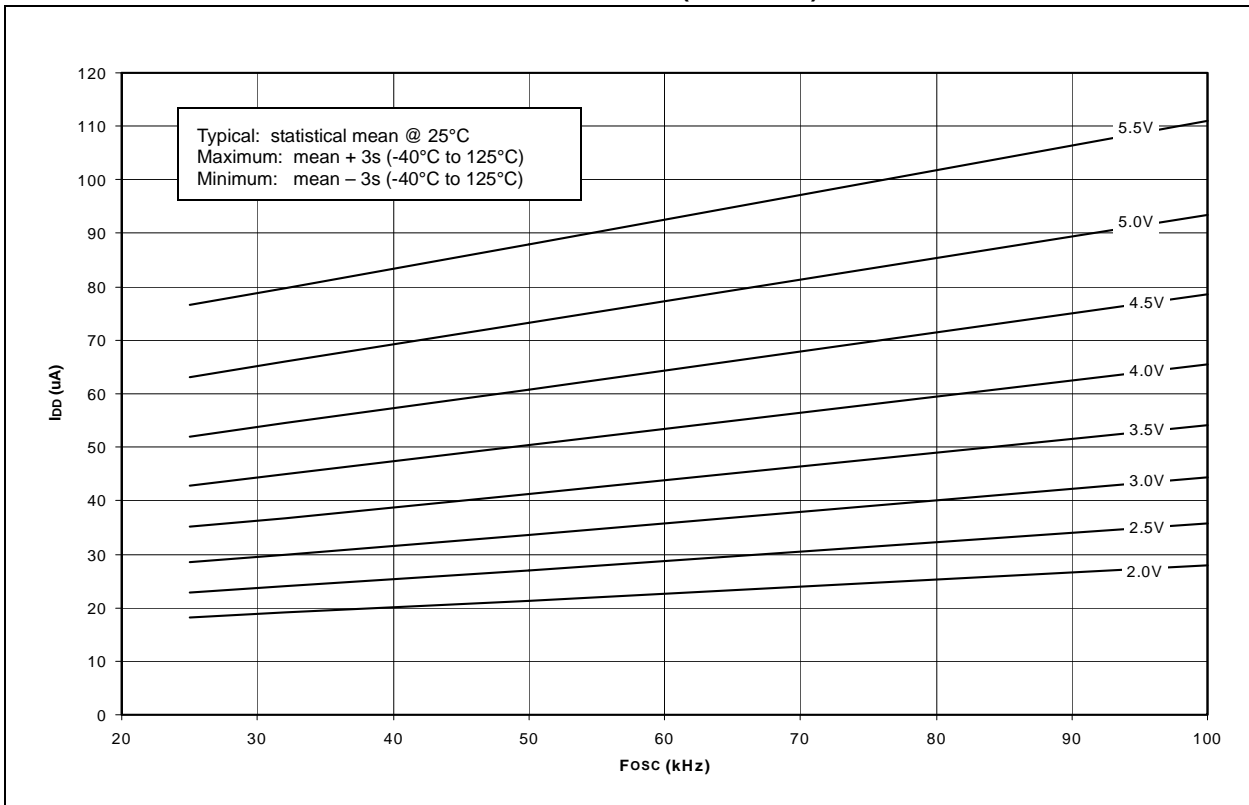
FIGURE 16-4: MAXIMUM  $I_{DD}$  vs.  $F_{osc}$  OVER  $V_{DD}$  (LP MODE)



**FIGURE 16-5: TYPICAL  $I_{DD}$  vs.  $F_{osc}$  OVER  $V_{DD}$  (LP MODE)**

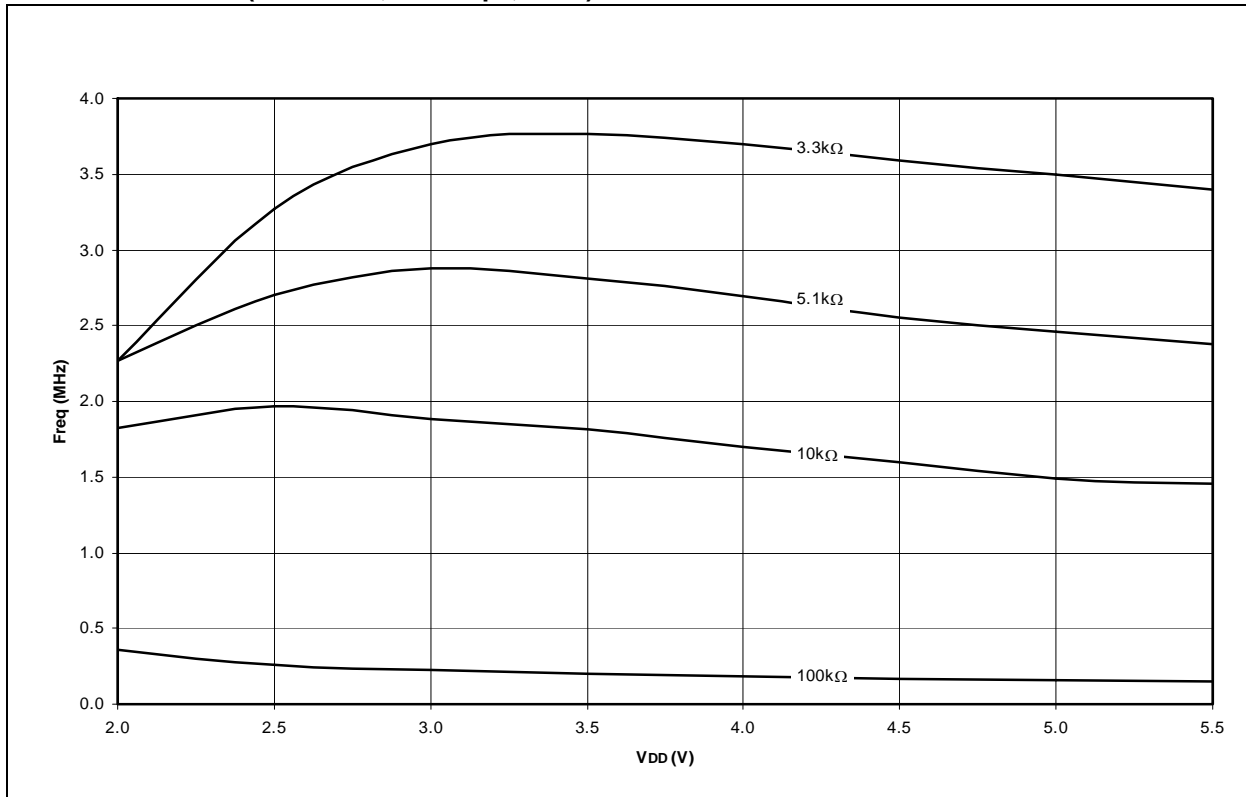


**FIGURE 16-6: MAXIMUM  $I_{DD}$  vs.  $F_{osc}$  OVER  $V_{DD}$  (XT MODE)**

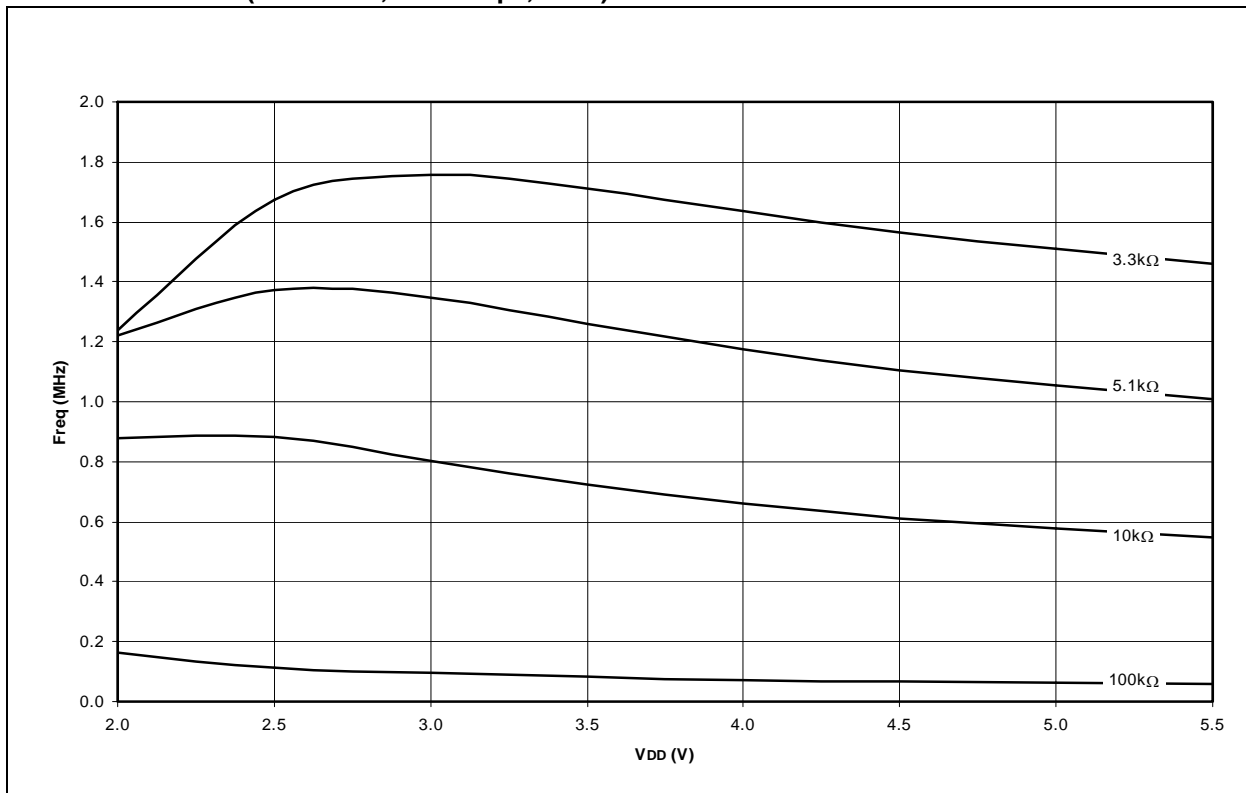


# PIC16F87X

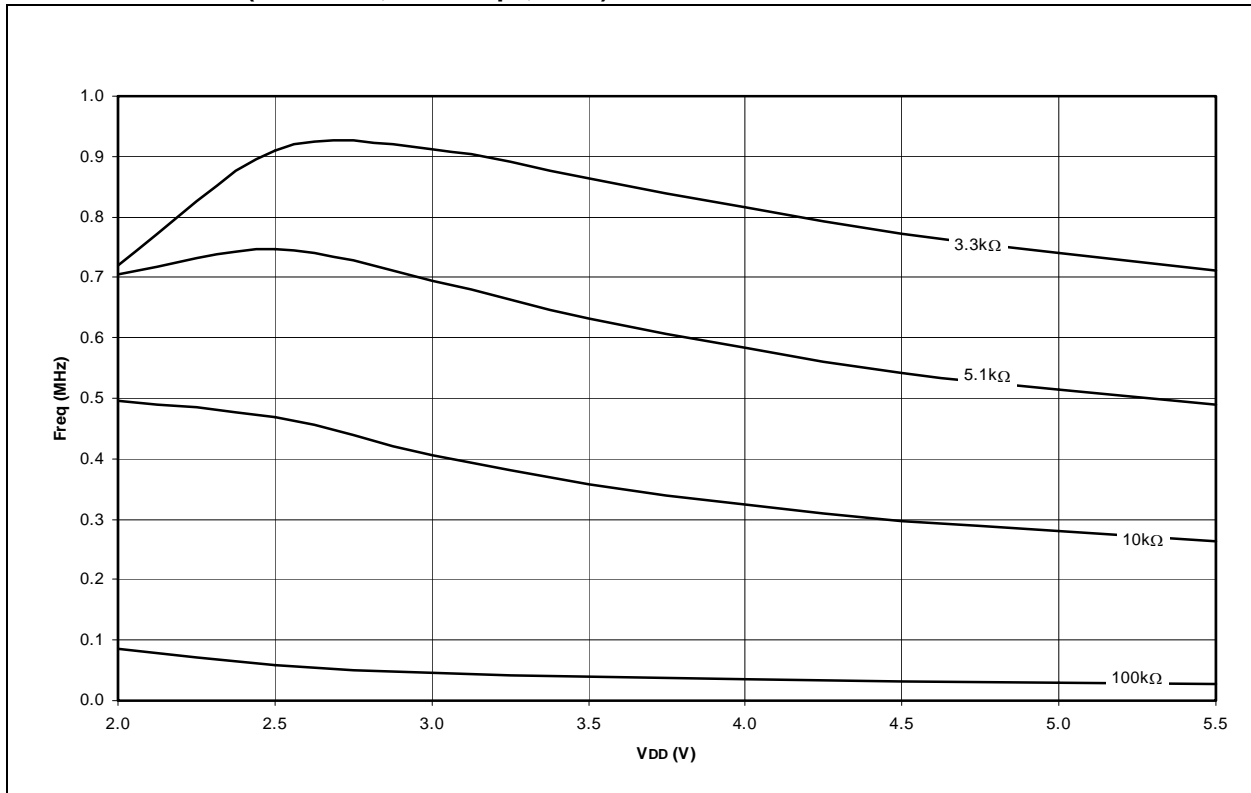
**FIGURE 16-7: AVERAGE  $F_{osc}$  vs.  $V_{DD}$  FOR VARIOUS VALUES OF R (RC MODE, C = 20 pF, 25°C)**



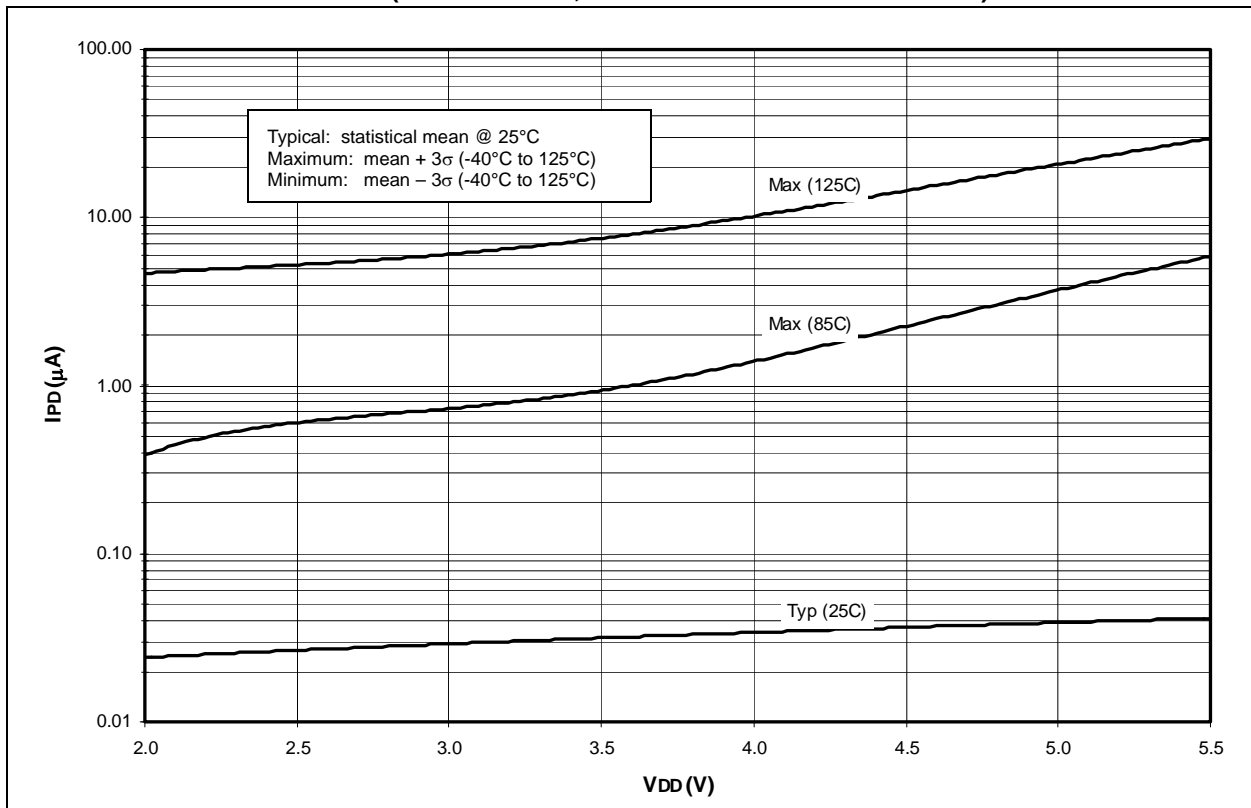
**FIGURE 16-8: AVERAGE  $F_{osc}$  vs.  $V_{DD}$  FOR VARIOUS VALUES OF R (RC MODE, C = 100 pF, 25°C)**



**FIGURE 16-9: AVERAGE  $F_{osc}$  vs.  $V_{DD}$  FOR VARIOUS VALUES OF R (RC MODE, C = 300 pF, 25°C)**

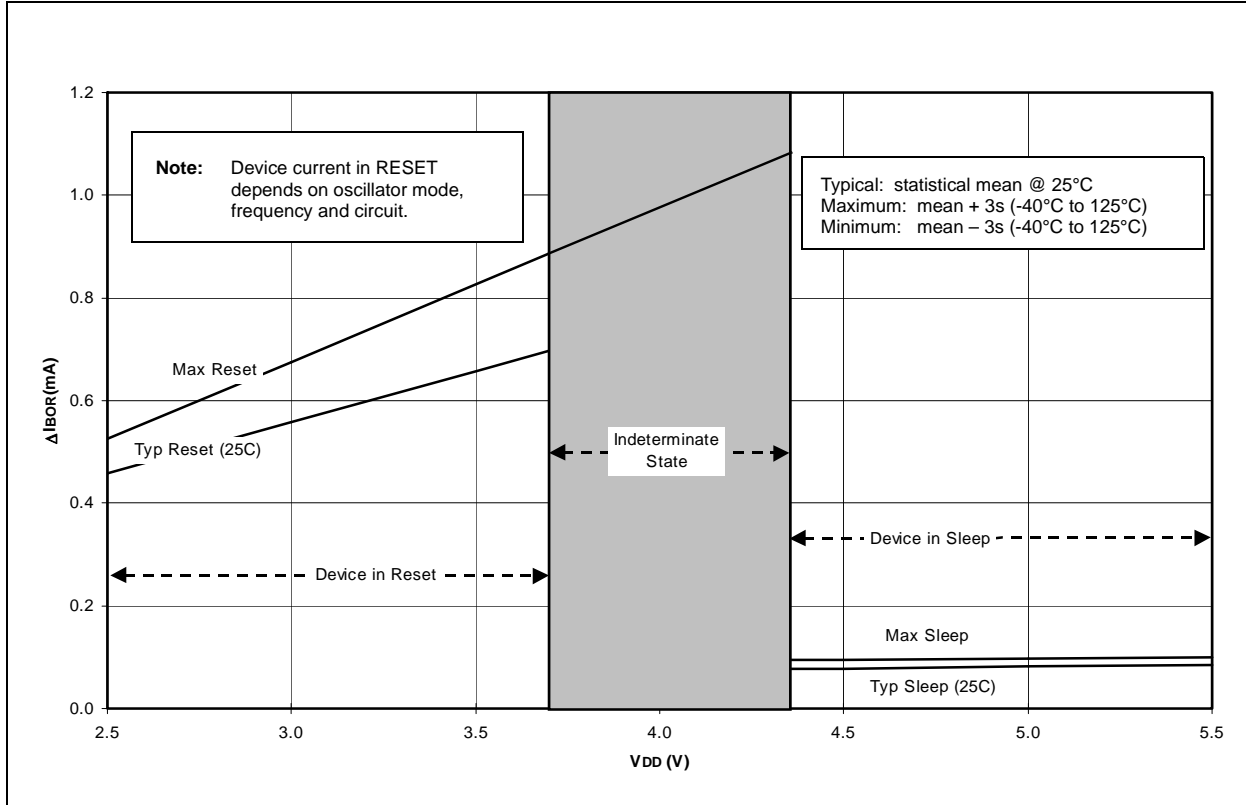


**FIGURE 16-10: IPD vs.  $V_{DD}$  (SLEEP MODE, ALL PERIPHERALS DISABLED)**

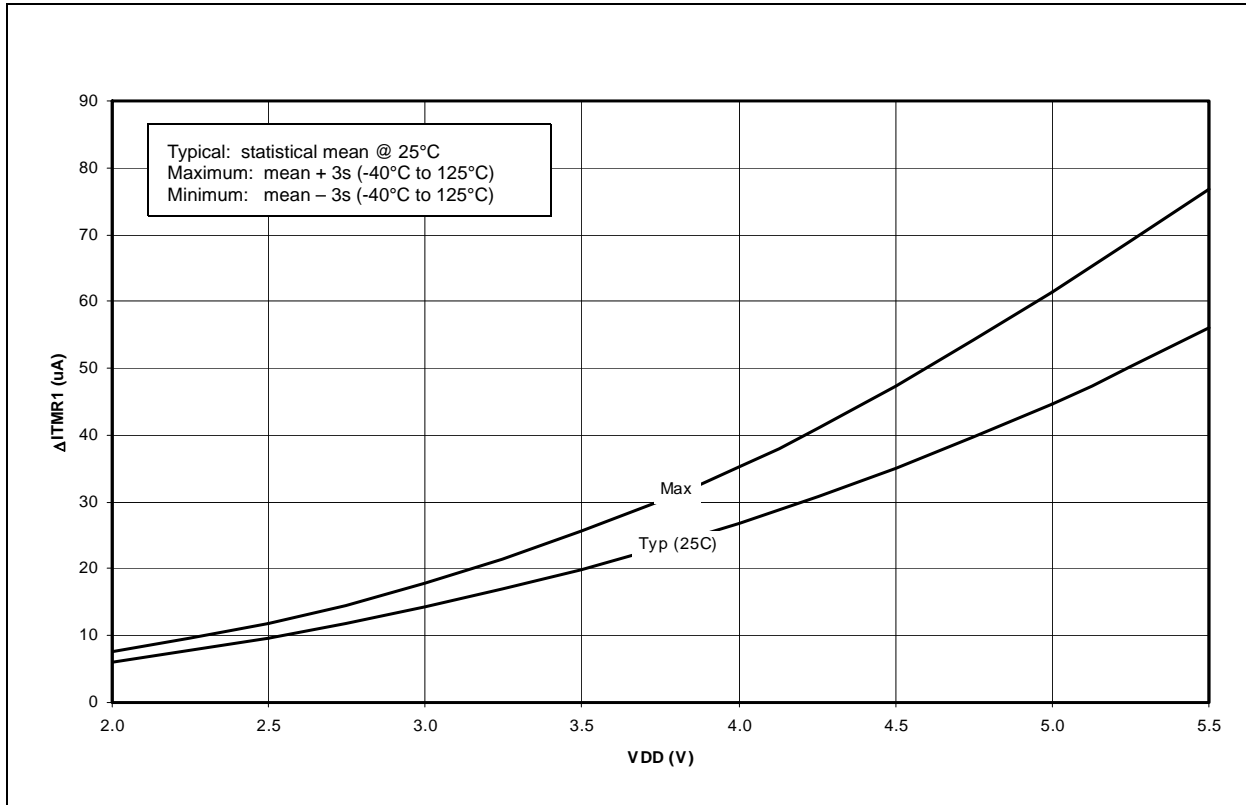


# PIC16F87X

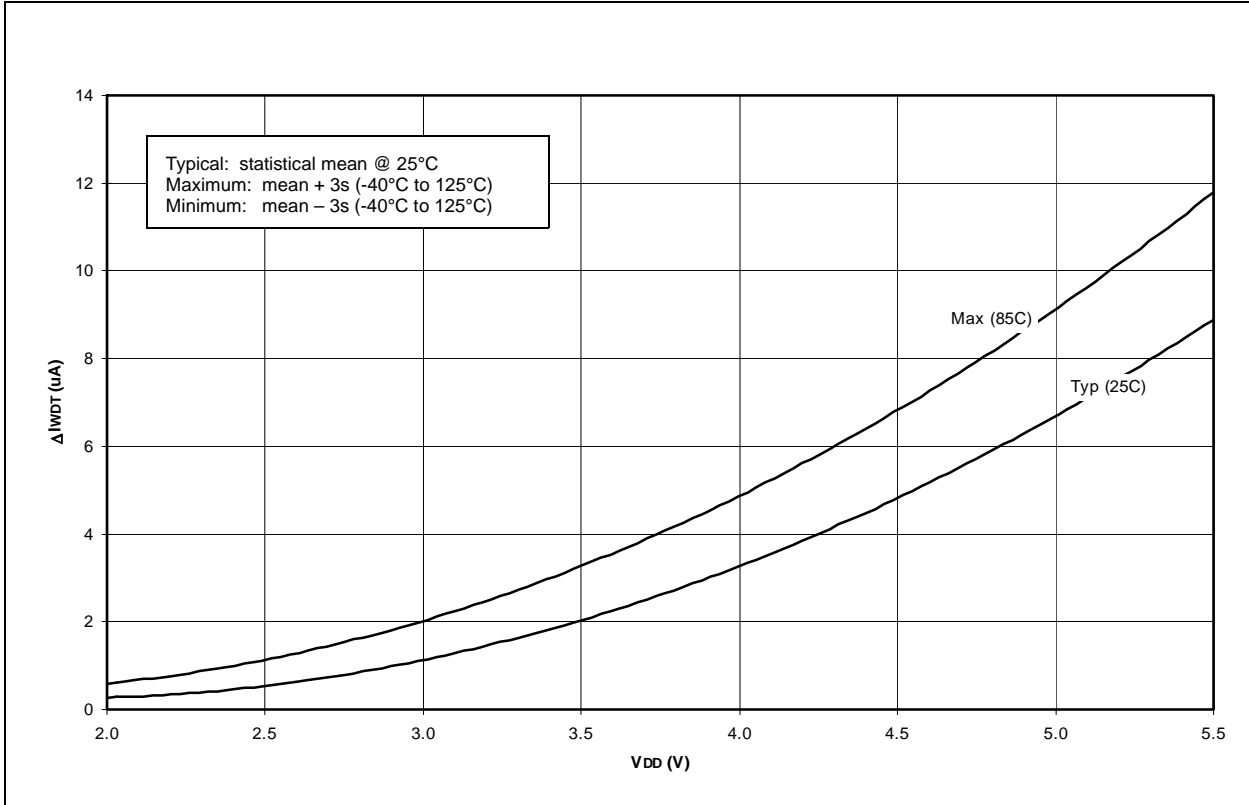
**FIGURE 16-11:  $\Delta I_{BOR}$  vs.  $V_{DD}$  OVER TEMPERATURE**



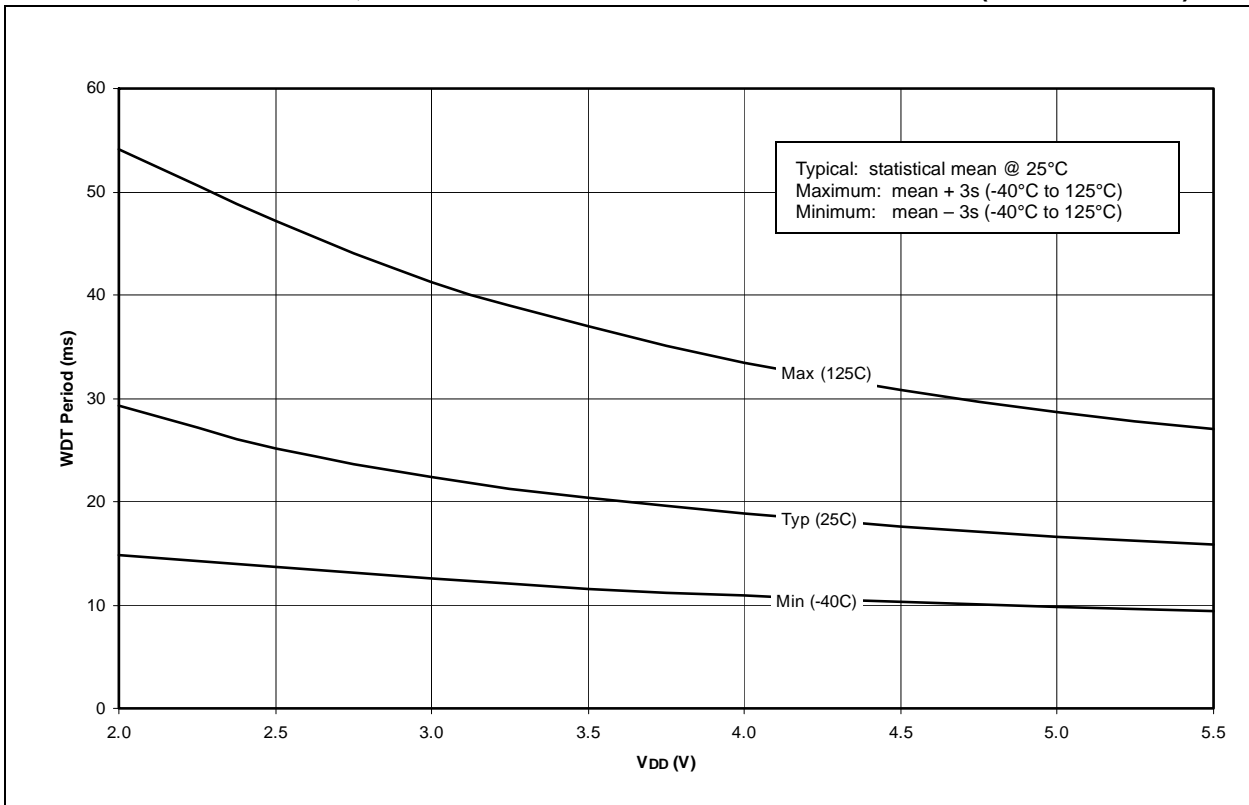
**FIGURE 16-12: TYPICAL AND MAXIMUM  $\Delta I_{TMR1}$  vs.  $V_{DD}$  OVER TEMPERATURE (-10°C TO 70°C, TIMER1 WITH OSCILLATOR, XTAL=32 kHz, C1 AND C2=50 pF)**



**FIGURE 16-13: TYPICAL AND MAXIMUM  $\Delta I_{WDT}$  vs.  $V_{DD}$  OVER TEMPERATURE**

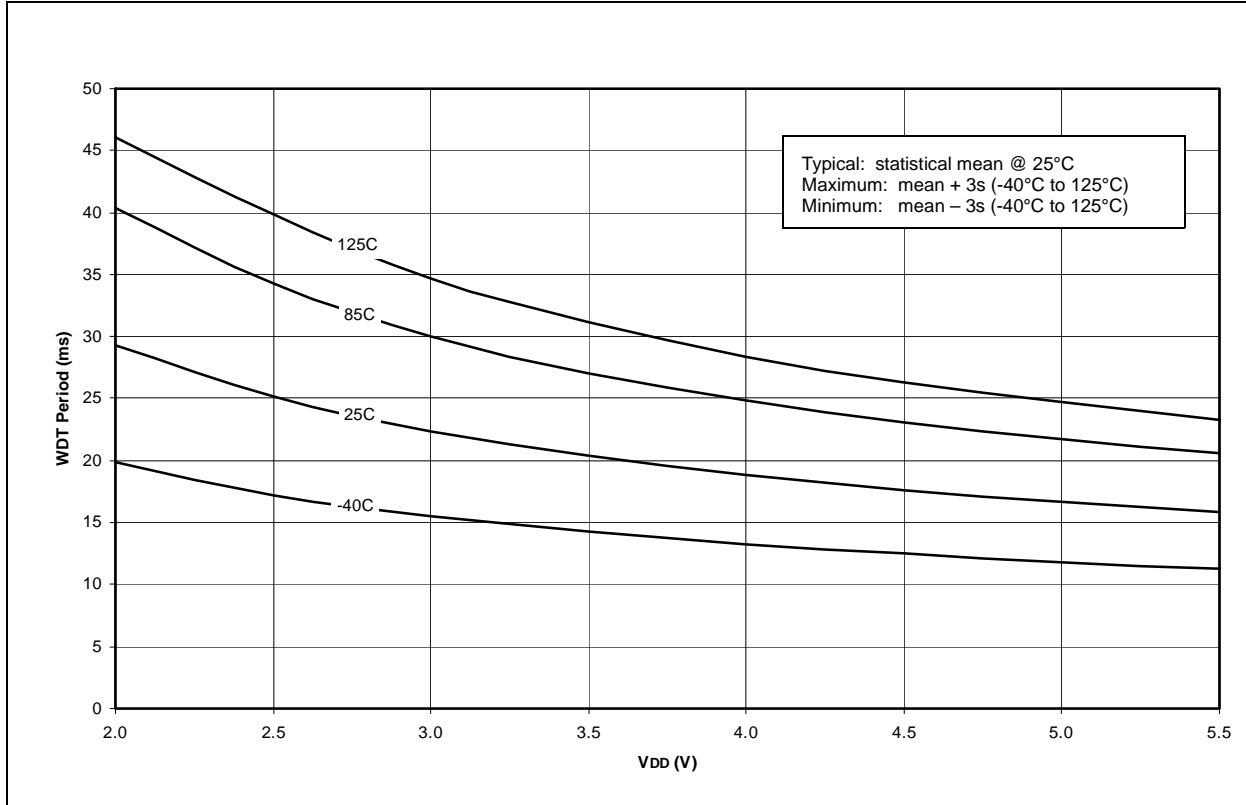


**FIGURE 16-14: TYPICAL, MINIMUM AND MAXIMUM WDT PERIOD vs.  $V_{DD}$  (-40°C TO 125°C)**

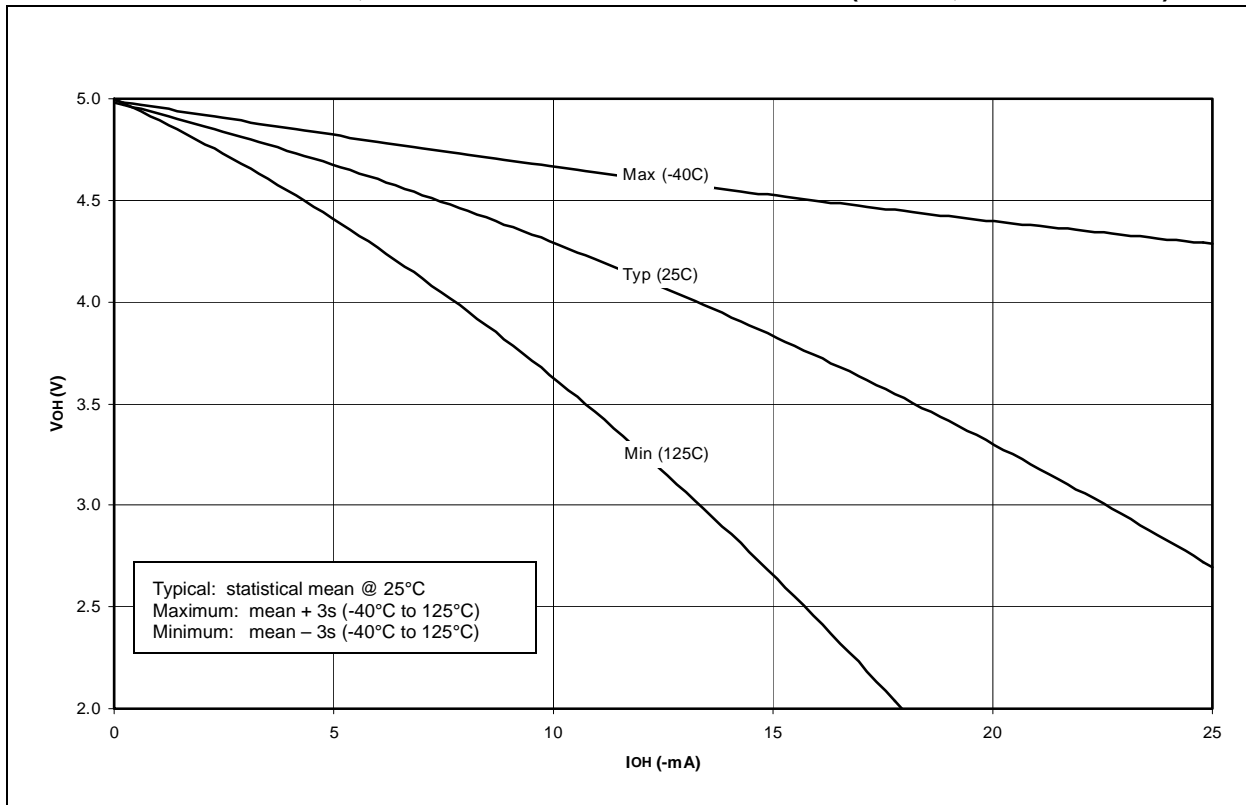


# PIC16F87X

**FIGURE 16-15: AVERAGE WDT PERIOD vs. VDD OVER TEMPERATURE (-40°C TO 125°C)**

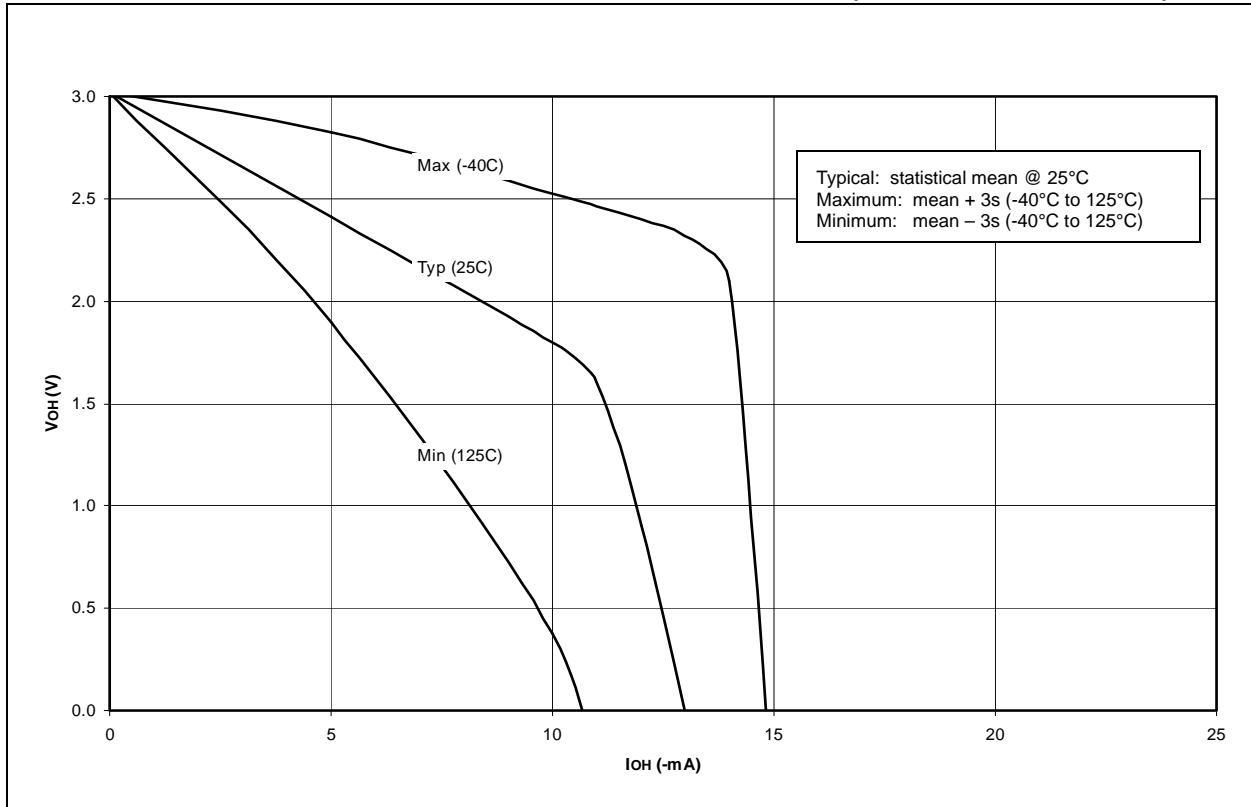


**FIGURE 16-16: TYPICAL, MINIMUM AND MAXIMUM VOH vs. IOH (VDD=5V, -40°C TO 125°C)**

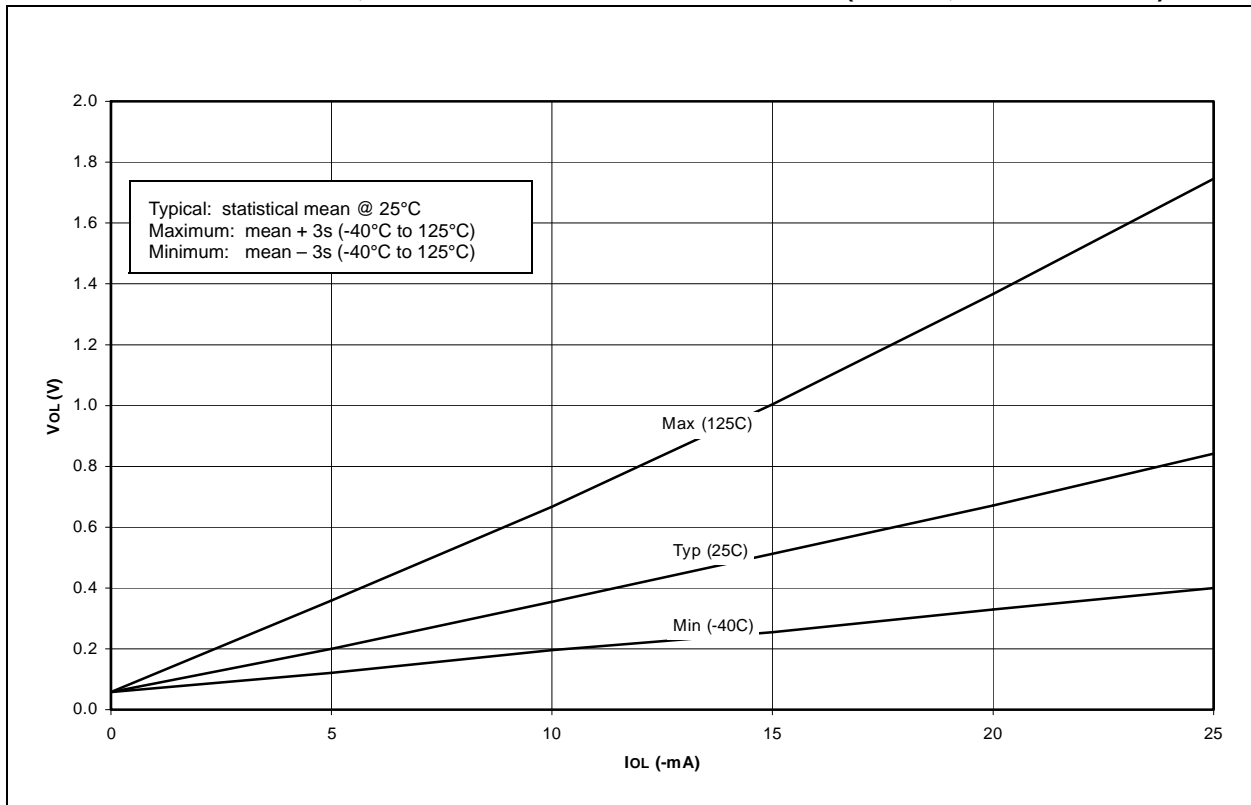




**FIGURE 16-17: TYPICAL, MINIMUM AND MAXIMUM  $V_{OH}$  vs.  $I_{OH}$  ( $V_{DD}=3V$ ,  $-40^{\circ}C$  TO  $125^{\circ}C$ )**



**FIGURE 16-18: TYPICAL, MINIMUM AND MAXIMUM  $V_{OL}$  vs.  $I_{OL}$  ( $V_{DD}=5V$ ,  $-40^{\circ}C$  TO  $125^{\circ}C$ )**



# PIC16F87X

FIGURE 16-19: TYPICAL, MINIMUM AND MAXIMUM  $V_{OL}$  vs.  $I_{OL}$  ( $V_{DD}=3V$ ,  $-40^{\circ}C$  TO  $125^{\circ}C$ )

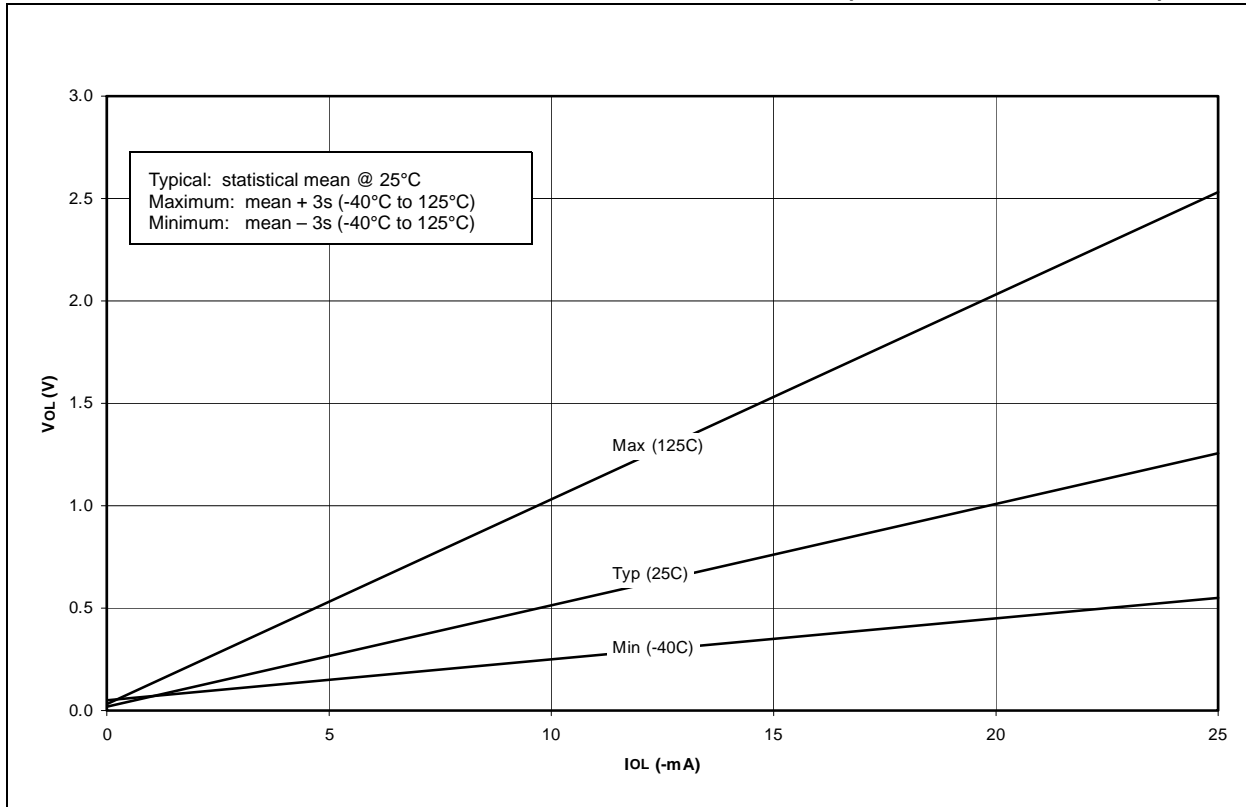
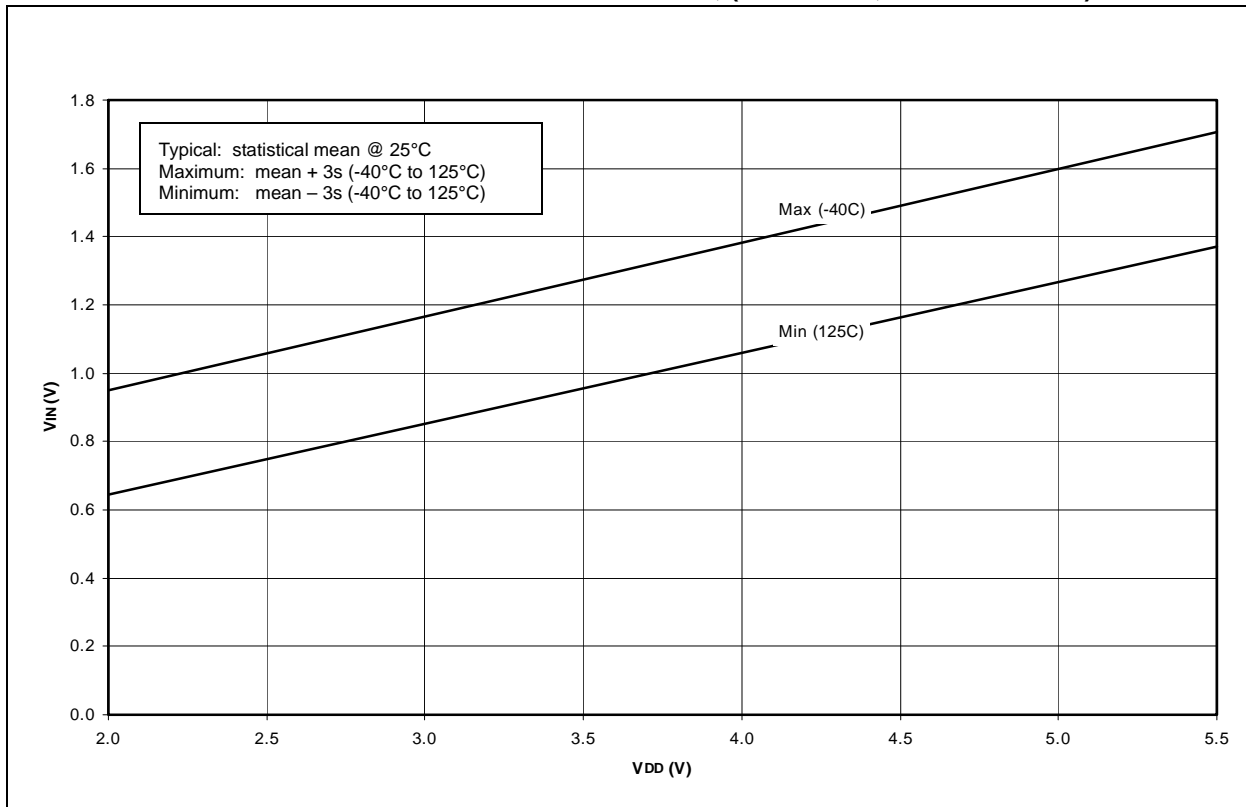
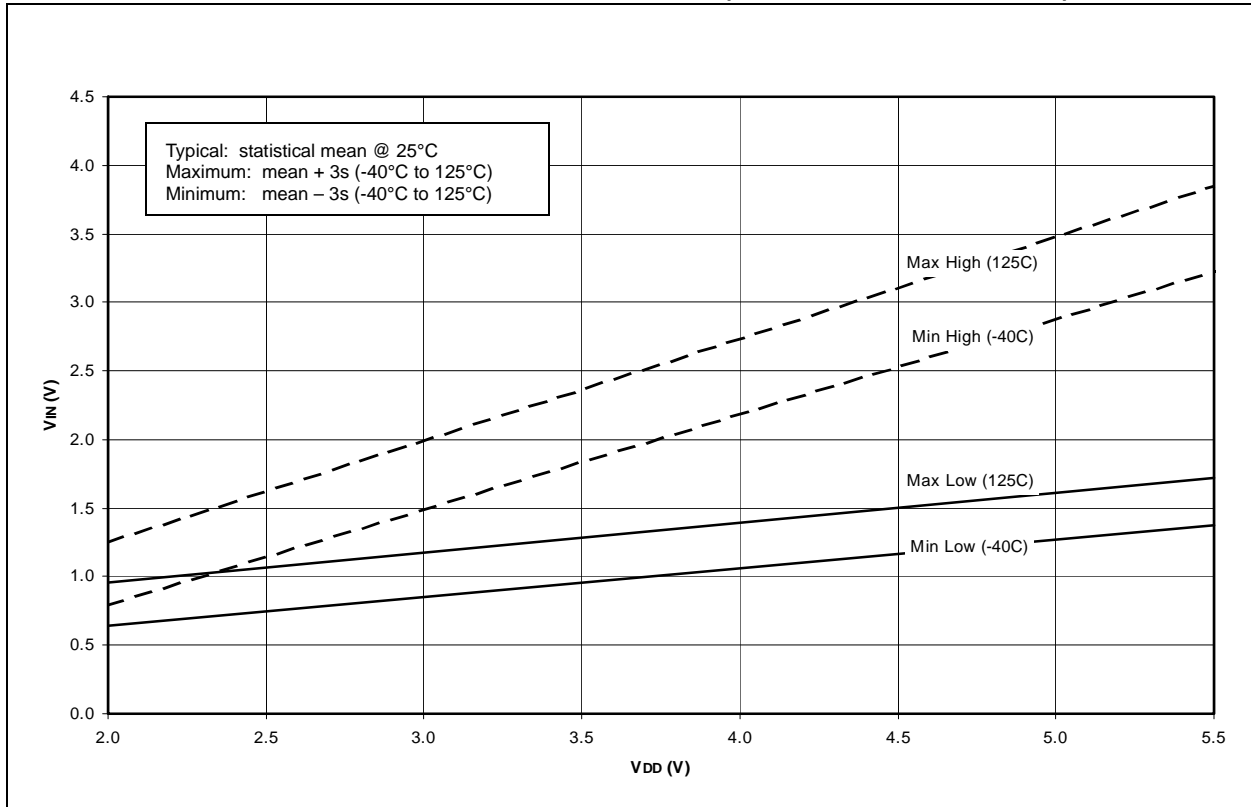


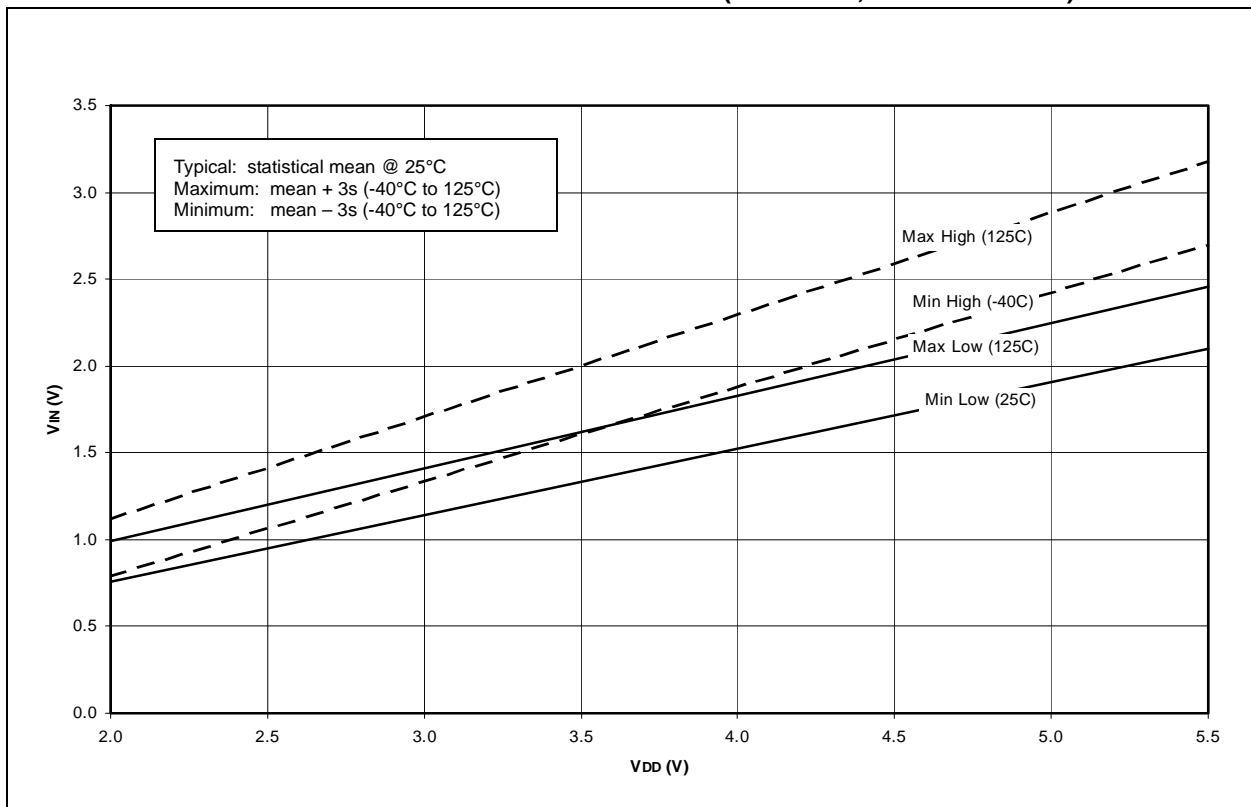
FIGURE 16-20: MINIMUM AND MAXIMUM  $V_{IN}$  vs.  $V_{DD}$ , (TTL INPUT,  $-40^{\circ}C$  TO  $125^{\circ}C$ )



**FIGURE 16-21: MINIMUM AND MAXIMUM  $V_{IN}$  vs.  $V_{DD}$  (ST INPUT,  $-40^{\circ}\text{C}$  TO  $125^{\circ}\text{C}$ )**



**FIGURE 16-22: MINIMUM AND MAXIMUM  $V_{IN}$  vs.  $V_{DD}$  ( $I^2C$  INPUT,  $-40^{\circ}\text{C}$  TO  $125^{\circ}\text{C}$ )**



# PIC16F87X

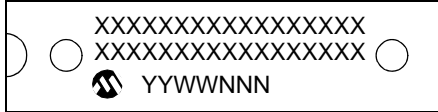
---

NOTES:

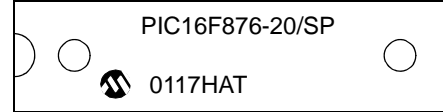
## 17.0 PACKAGING INFORMATION

### 17.1 Package Marking Information

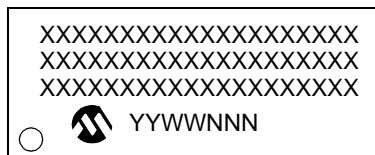
#### 28-Lead PDIP (Skinny DIP)



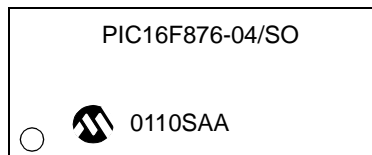
#### Example



#### 28-Lead SOIC



#### Example



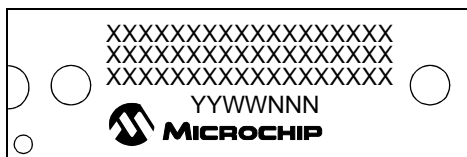
**Legend:** XX...X Customer-specific information  
Y Year code (last digit of calendar year)  
YY Year code (last 2 digits of calendar year)  
WW Week code (week of January 1 is week '01')  
NNN Alphanumeric traceability code  
(e3) Pb-free JEDEC designator for Matte Tin (Sn)  
\* This package is Pb-free. The Pb-free JEDEC designator (e3) can be found on the outer packaging for this package.

**Note:** In the event the full Microchip part number cannot be marked on one line, it will be carried over to the next line, thus limiting the number of available characters for customer-specific information.

# PIC16F87X

## Package Marking Information (Cont'd)

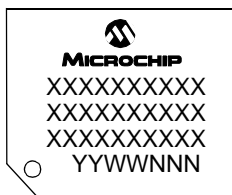
40-Lead PDIP



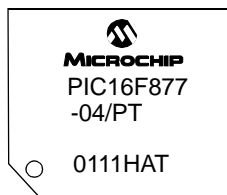
Example



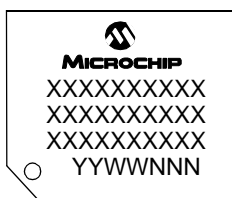
44-Lead TQFP



Example



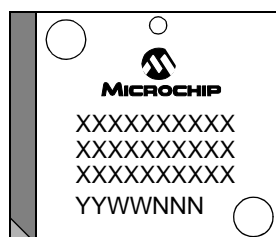
44-Lead MQFP



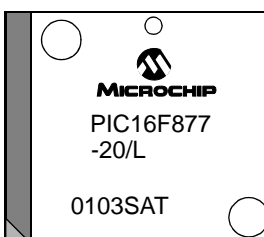
Example



44-Lead PLCC

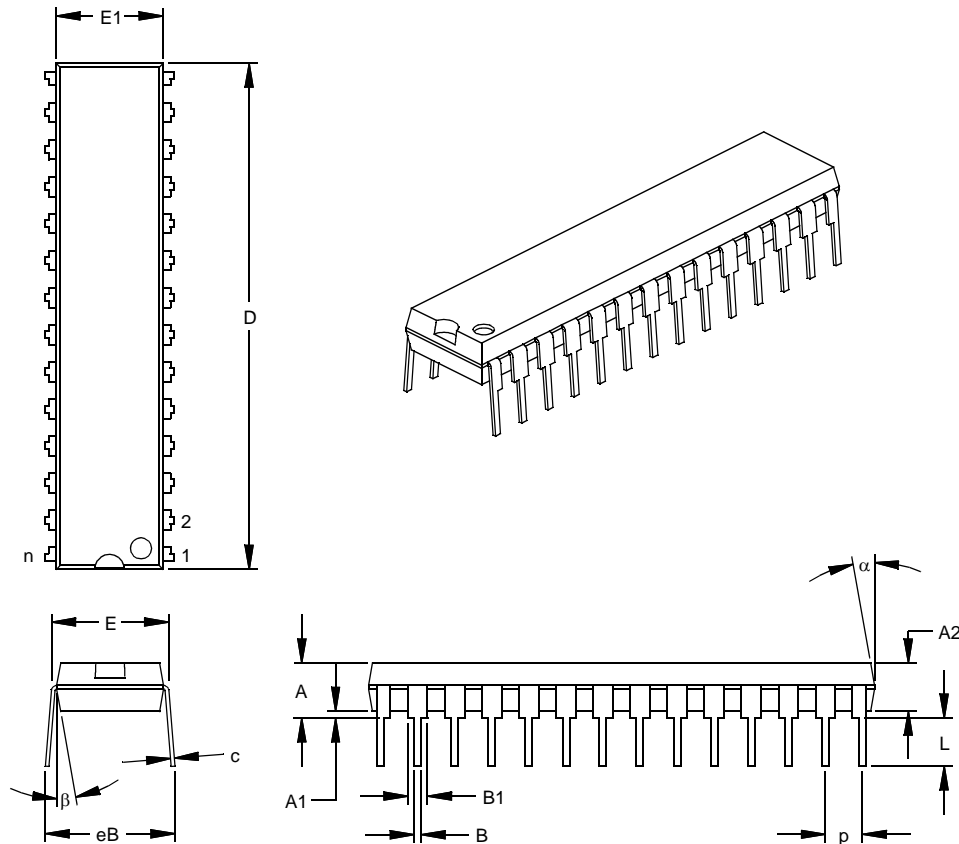


Example



## 28-Lead Skinny Plastic Dual In-line (SP) – 300 mil (PDIP)

**Note:** For the most current package drawings, please see the Microchip Packaging Specification located at <http://www.microchip.com/packaging>



|                            |      | Units | INCHES* |       |       | MILLIMETERS |       |       |
|----------------------------|------|-------|---------|-------|-------|-------------|-------|-------|
| Dimension Limits           |      |       | MIN     | NOM   | MAX   | MIN         | NOM   | MAX   |
| Number of Pins             | n    |       |         | 28    |       |             | 28    |       |
| Pitch                      | p    |       |         | .100  |       |             | 2.54  |       |
| Top to Seating Plane       | A    |       | .140    | .150  | .160  | 3.56        | 3.81  | 4.06  |
| Molded Package Thickness   | A2   |       | .125    | .130  | .135  | 3.18        | 3.30  | 3.43  |
| Base to Seating Plane      | A1   |       | .015    |       |       | 0.38        |       |       |
| Shoulder to Shoulder Width | E    |       | .300    | .310  | .325  | 7.62        | 7.87  | 8.26  |
| Molded Package Width       | E1   |       | .275    | .285  | .295  | 6.99        | 7.24  | 7.49  |
| Overall Length             | D    |       | 1.345   | 1.365 | 1.385 | 34.16       | 34.67 | 35.18 |
| Tip to Seating Plane       | L    |       | .125    | .130  | .135  | 3.18        | 3.30  | 3.43  |
| Lead Thickness             | c    |       | .008    | .012  | .015  | 0.20        | 0.29  | 0.38  |
| Upper Lead Width           | B1   |       | .040    | .053  | .065  | 1.02        | 1.33  | 1.65  |
| Lower Lead Width           | B    |       | .016    | .019  | .022  | 0.41        | 0.48  | 0.56  |
| Overall Row Spacing        | § eB |       | .320    | .350  | .430  | 8.13        | 8.89  | 10.92 |
| Mold Draft Angle Top       | α    |       | 5       | 10    | 15    | 5           | 10    | 15    |
| Mold Draft Angle Bottom    | β    |       | 5       | 10    | 15    | 5           | 10    | 15    |

\* Controlling Parameter

§ Significant Characteristic

Notes:

Dimension D and E1 do not include mold flash or protrusions. Mold flash or protrusions shall not exceed .010" (0.254mm) per side.

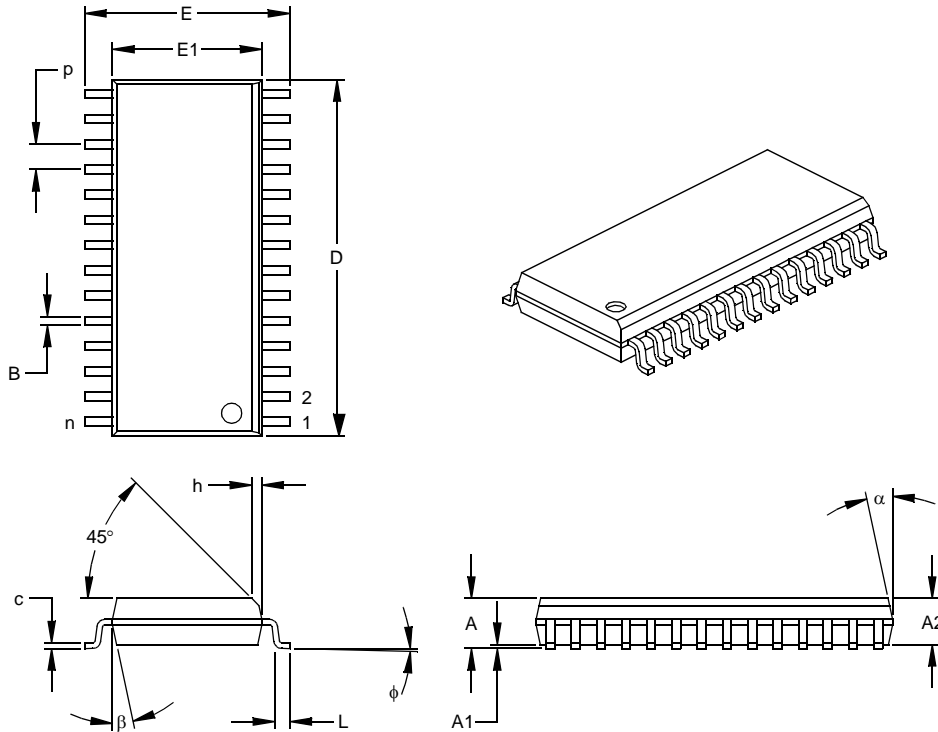
JEDEC Equivalent: MO-095

Drawing No. C04-070

# PIC16F87X

## 28-Lead Plastic Small Outline (SO) – Wide, 300 mil (SOIC)

**Note:** For the most current package drawings, please see the Microchip Packaging Specification located at <http://www.microchip.com/packaging>



| Units                    |    | INCHES* |      |      | MILLIMETERS |       |       |
|--------------------------|----|---------|------|------|-------------|-------|-------|
| Dimension Limits         |    | MIN     | NOM  | MAX  | MIN         | NOM   | MAX   |
| Number of Pins           | n  |         | 28   |      |             | 28    |       |
| Pitch                    | p  |         | .050 |      |             | 1.27  |       |
| Overall Height           | A  | .093    | .099 | .104 | 2.36        | 2.50  | 2.64  |
| Molded Package Thickness | A2 | .088    | .091 | .094 | 2.24        | 2.31  | 2.39  |
| Standoff §               | A1 | .004    | .008 | .012 | 0.10        | 0.20  | 0.30  |
| Overall Width            | E  | .394    | .407 | .420 | 10.01       | 10.34 | 10.67 |
| Molded Package Width     | E1 | .288    | .295 | .299 | 7.32        | 7.49  | 7.59  |
| Overall Length           | D  | .695    | .704 | .712 | 17.65       | 17.87 | 18.08 |
| Chamfer Distance         | h  | .010    | .020 | .029 | 0.25        | 0.50  | 0.74  |
| Foot Length              | L  | .016    | .033 | .050 | 0.41        | 0.84  | 1.27  |
| Foot Angle Top           | φ  | 0       | 4    | 8    | 0           | 4     | 8     |
| Lead Thickness           | c  | .009    | .011 | .013 | 0.23        | 0.28  | 0.33  |
| Lead Width               | B  | .014    | .017 | .020 | 0.36        | 0.42  | 0.51  |
| Mold Draft Angle Top     | α  | 0       | 12   | 15   | 0           | 12    | 15    |
| Mold Draft Angle Bottom  | β  | 0       | 12   | 15   | 0           | 12    | 15    |

\* Controlling Parameter

§ Significant Characteristic

**Notes:**

Dimensions D and E1 do not include mold flash or protrusions. Mold flash or protrusions shall not exceed .010" (0.254mm) per side.

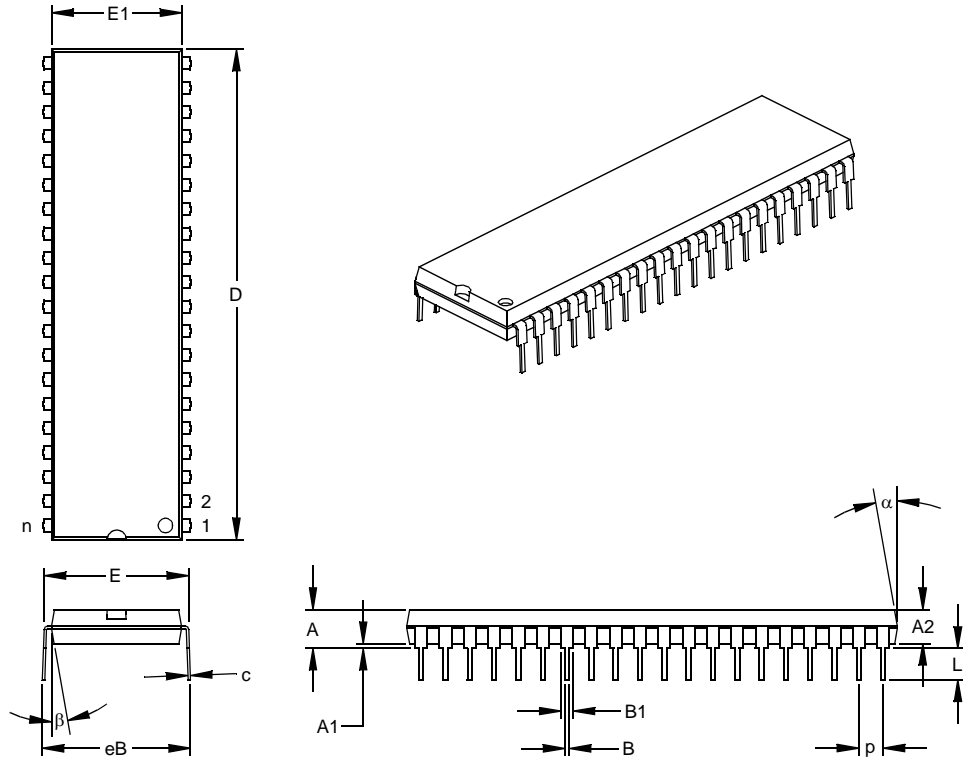
JEDEC Equivalent: MS-013

Drawing No. C04-052



## 40-Lead Plastic Dual In-line (P) – 600 mil (PDIP)

**Note:** For the most current package drawings, please see the Microchip Packaging Specification located at <http://www.microchip.com/packaging>



| Units                      |      | INCHES* |       |       | MILLIMETERS |       |       |
|----------------------------|------|---------|-------|-------|-------------|-------|-------|
| Dimension Limits           |      | MIN     | NOM   | MAX   | MIN         | NOM   | MAX   |
| Number of Pins             | n    |         | 40    |       |             | 40    |       |
| Pitch                      | p    |         | .100  |       |             | 2.54  |       |
| Top to Seating Plane       | A    | .160    | .175  | .190  | 4.06        | 4.45  | 4.83  |
| Molded Package Thickness   | A2   | .140    | .150  | .160  | 3.56        | 3.81  | 4.06  |
| Base to Seating Plane      | A1   | .015    |       |       | 0.38        |       |       |
| Shoulder to Shoulder Width | E    | .595    | .600  | .625  | 15.11       | 15.24 | 15.88 |
| Molded Package Width       | E1   | .530    | .545  | .560  | 13.46       | 13.84 | 14.22 |
| Overall Length             | D    | 2.045   | 2.058 | 2.065 | 51.94       | 52.26 | 52.45 |
| Tip to Seating Plane       | L    | .120    | .130  | .135  | 3.05        | 3.30  | 3.43  |
| Lead Thickness             | c    | .008    | .012  | .015  | 0.20        | 0.29  | 0.38  |
| Upper Lead Width           | B1   | .030    | .050  | .070  | 0.76        | 1.27  | 1.78  |
| Lower Lead Width           | B    | .014    | .018  | .022  | 0.36        | 0.46  | 0.56  |
| Overall Row Spacing        | § eB | .620    | .650  | .680  | 15.75       | 16.51 | 17.27 |
| Mold Draft Angle Top       | α    | 5       | 10    | 15    | 5           | 10    | 15    |
| Mold Draft Angle Bottom    | β    | 5       | 10    | 15    | 5           | 10    | 15    |

\* Controlling Parameter

§ Significant Characteristic

Notes:

Dimensions D and E1 do not include mold flash or protrusions. Mold flash or protrusions shall not exceed .010" (0.254mm) per side.

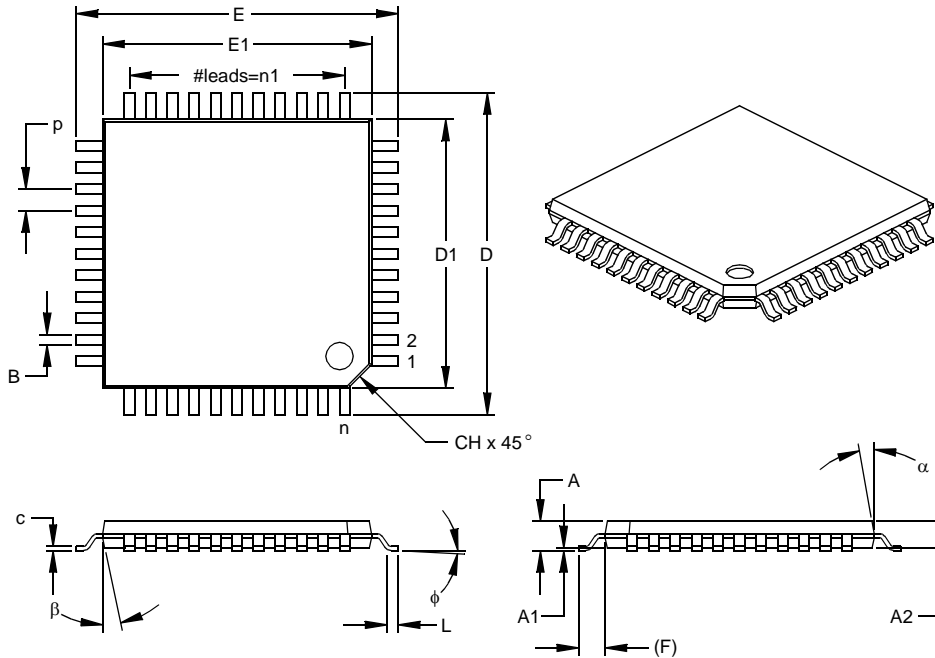
JEDEC Equivalent: MO-011

Drawing No. C04-016

# PIC16F87X

## 44-Lead Plastic Thin Quad Flatpack (PT) 10x10x1 mm Body, 1.0/0.10 mm Lead Form (TQFP)

**Note:** For the most current package drawings, please see the Microchip Packaging Specification located at <http://www.microchip.com/packaging>



| Dimension Limits         | Units | INCHES |      |      | MILLIMETERS* |       |       |
|--------------------------|-------|--------|------|------|--------------|-------|-------|
|                          |       | MIN    | NOM  | MAX  | MIN          | NOM   | MAX   |
| Number of Pins           | n     |        | 44   |      |              | 44    |       |
| Pitch                    | p     |        | .031 |      |              | 0.80  |       |
| Pins per Side            | n1    |        | 11   |      |              | 11    |       |
| Overall Height           | A     | .039   | .043 | .047 | 1.00         | 1.10  | 1.20  |
| Molded Package Thickness | A2    | .037   | .039 | .041 | 0.95         | 1.00  | 1.05  |
| Standoff §               | A1    | .002   | .004 | .006 | 0.05         | 0.10  | 0.15  |
| Foot Length              | L     | .018   | .024 | .030 | 0.45         | 0.60  | 0.75  |
| Footprint (Reference)    | (F)   |        | .039 |      | 1.00         |       |       |
| Foot Angle               | φ     | 0      | 3.5  | 7    | 0            | 3.5   | 7     |
| Overall Width            | E     | .463   | .472 | .482 | 11.75        | 12.00 | 12.25 |
| Overall Length           | D     | .463   | .472 | .482 | 11.75        | 12.00 | 12.25 |
| Molded Package Width     | E1    | .390   | .394 | .398 | 9.90         | 10.00 | 10.10 |
| Molded Package Length    | D1    | .390   | .394 | .398 | 9.90         | 10.00 | 10.10 |
| Lead Thickness           | c     | .004   | .006 | .008 | 0.09         | 0.15  | 0.20  |
| Lead Width               | B     | .012   | .015 | .017 | 0.30         | 0.38  | 0.44  |
| Pin 1 Corner Chamfer     | CH    | .025   | .035 | .045 | 0.64         | 0.89  | 1.14  |
| Mold Draft Angle Top     | α     | 5      | 10   | 15   | 5            | 10    | 15    |
| Mold Draft Angle Bottom  | β     | 5      | 10   | 15   | 5            | 10    | 15    |

\* Controlling Parameter

§ Significant Characteristic

**Notes:**

Dimensions D1 and E1 do not include mold flash or protrusions. Mold flash or protrusions shall not exceed .010" (0.254mm) per side.

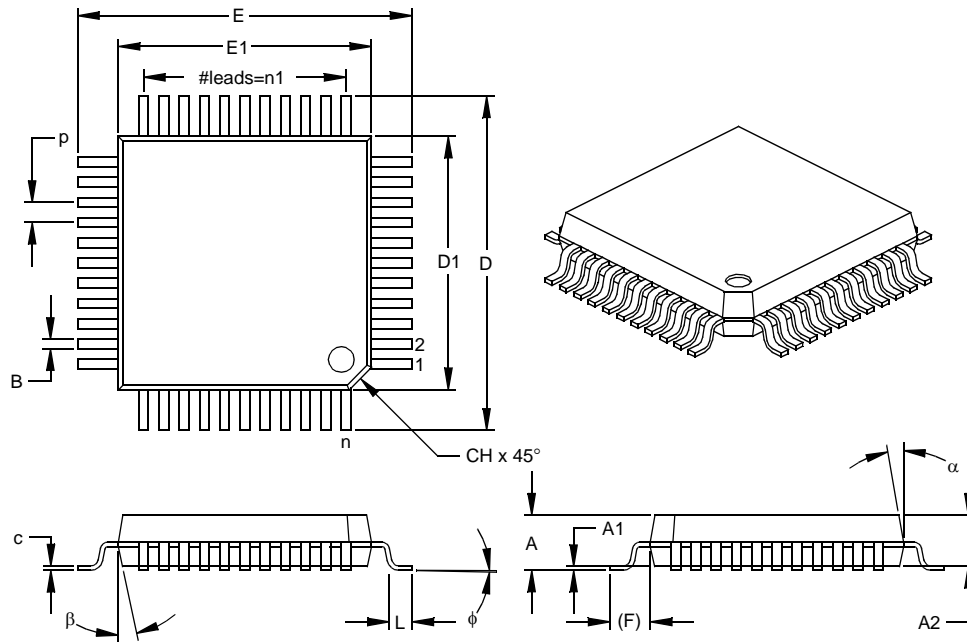
JEDEC Equivalent: MS-026

Drawing No. C04-076

# PIC16F87X

## 44-Lead Plastic Metric Quad Flatpack (PQ) 10x10x2 mm Body, 1.6/0.15 mm Lead Form (MQFP)

**Note:** For the most current package drawings, please see the Microchip Packaging Specification located at <http://www.microchip.com/packaging>



| Dimension Limits         | Units | INCHES |      |      | MILLIMETERS* |       |       |
|--------------------------|-------|--------|------|------|--------------|-------|-------|
|                          |       | MIN    | NOM  | MAX  | MIN          | NOM   | MAX   |
| Number of Pins           | n     |        | 44   |      |              | 44    |       |
| Pitch                    | p     |        | .031 |      |              | 0.80  |       |
| Pins per Side            | n1    |        | 11   |      |              | 11    |       |
| Overall Height           | A     | .079   | .086 | .093 | 2.00         | 2.18  | 2.35  |
| Molded Package Thickness | A2    | .077   | .080 | .083 | 1.95         | 2.03  | 2.10  |
| Standoff §               | A1    | .002   | .006 | .010 | 0.05         | 0.15  | 0.25  |
| Foot Length              | L     | .029   | .035 | .041 | 0.73         | 0.88  | 1.03  |
| Footprint (Reference)    | (F)   |        | .063 |      |              | 1.60  |       |
| Foot Angle               | φ     | 0      | 3.5  | 7    | 0            | 3.5   | 7     |
| Overall Width            | E     | .510   | .520 | .530 | 12.95        | 13.20 | 13.45 |
| Overall Length           | D     | .510   | .520 | .530 | 12.95        | 13.20 | 13.45 |
| Molded Package Width     | E1    | .390   | .394 | .398 | 9.90         | 10.00 | 10.10 |
| Molded Package Length    | D1    | .390   | .394 | .398 | 9.90         | 10.00 | 10.10 |
| Lead Thickness           | c     | .005   | .007 | .009 | 0.13         | 0.18  | 0.23  |
| Lead Width               | B     | .012   | .015 | .018 | 0.30         | 0.38  | 0.45  |
| Pin 1 Corner Chamfer     | CH    | .025   | .035 | .045 | 0.64         | 0.89  | 1.14  |
| Mold Draft Angle Top     | α     | 5      | 10   | 15   | 5            | 10    | 15    |
| Mold Draft Angle Bottom  | β     | 5      | 10   | 15   | 5            | 10    | 15    |

\* Controlling Parameter  
§ Significant Characteristic

**Notes:**

Dimensions D1 and E1 do not include mold flash or protrusions. Mold flash or protrusions shall not exceed .010" (0.254mm) per side.

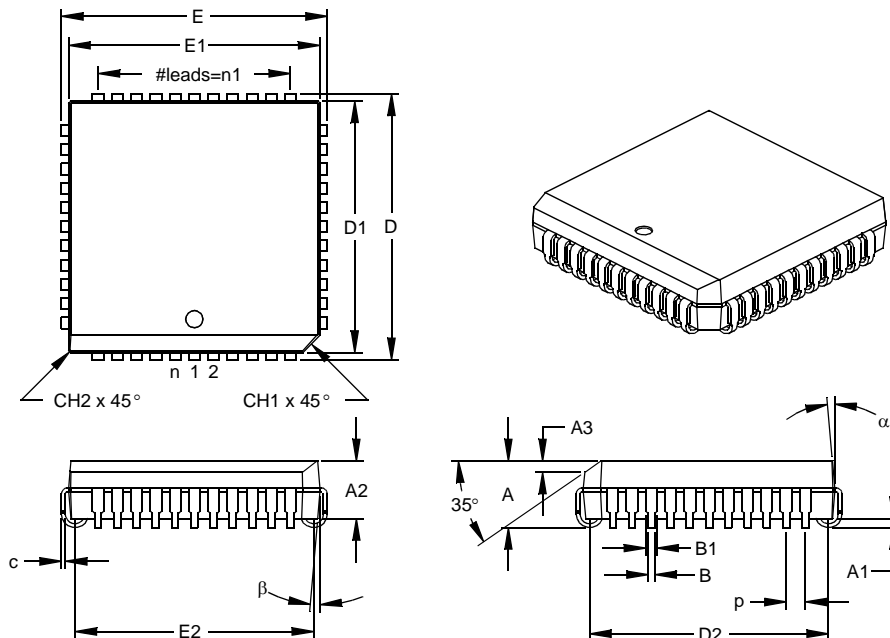
JEDEC Equivalent: MS-022

Drawing No. C04-071

# PIC16F87X

## 44-Lead Plastic Leaded Chip Carrier (L) – Square (PLCC)

**Note:** For the most current package drawings, please see the Microchip Packaging Specification located at <http://www.microchip.com/packaging>



| Dimension Limits         | Units | INCHES* |      |      | MILLIMETERS |       |       |
|--------------------------|-------|---------|------|------|-------------|-------|-------|
|                          |       | MIN     | NOM  | MAX  | MIN         | NOM   | MAX   |
| Number of Pins           | n     |         | 44   |      |             | 44    |       |
| Pitch                    | p     |         | .050 |      |             | 1.27  |       |
| Pins per Side            | n1    |         | 11   |      |             | 11    |       |
| Overall Height           | A     | .165    | .173 | .180 | 4.19        | 4.39  | 4.57  |
| Molded Package Thickness | A2    | .145    | .153 | .160 | 3.68        | 3.87  | 4.06  |
| Standoff §               | A1    | .020    | .028 | .035 | 0.51        | 0.71  | 0.89  |
| Side 1 Chamfer Height    | A3    | .024    | .029 | .034 | 0.61        | 0.74  | 0.86  |
| Corner Chamfer 1         | CH1   | .040    | .045 | .050 | 1.02        | 1.14  | 1.27  |
| Corner Chamfer (others)  | CH2   | .000    | .005 | .010 | 0.00        | 0.13  | 0.25  |
| Overall Width            | E     | .685    | .690 | .695 | 17.40       | 17.53 | 17.65 |
| Overall Length           | D     | .685    | .690 | .695 | 17.40       | 17.53 | 17.65 |
| Molded Package Width     | E1    | .650    | .653 | .656 | 16.51       | 16.59 | 16.66 |
| Molded Package Length    | D1    | .650    | .653 | .656 | 16.51       | 16.59 | 16.66 |
| Footprint Width          | E2    | .590    | .620 | .630 | 14.99       | 15.75 | 16.00 |
| Footprint Length         | D2    | .590    | .620 | .630 | 14.99       | 15.75 | 16.00 |
| Lead Thickness           | c     | .008    | .011 | .013 | 0.20        | 0.27  | 0.33  |
| Upper Lead Width         | B1    | .026    | .029 | .032 | 0.66        | 0.74  | 0.81  |
| Lower Lead Width         | B     | .013    | .020 | .021 | 0.33        | 0.51  | 0.53  |
| Mold Draft Angle Top     | α     | 0       | 5    | 10   | 0           | 5     | 10    |
| Mold Draft Angle Bottom  | β     | 0       | 5    | 10   | 0           | 5     | 10    |

\* Controlling Parameter

§ Significant Characteristic

Notes:

Dimensions D and E1 do not include mold flash or protrusions. Mold flash or protrusions shall not exceed .010" (0.254mm) per side.

JEDEC Equivalent: MO-047

Drawing No. C04-048

## APPENDIX A: REVISION HISTORY

| Version | Date | Revision Description  |
|---------|------|---|
| A       | 1998 | This is a new data sheet. However, these devices are similar to the PIC16C7X devices found in the PIC16C7X Data Sheet (DS30390). Data Memory Map for PIC16F873/874, moved ADFM bit from ADCON1<5> to ADCON1<7>. |
| B       | 1999 | FLASH EEPROM access information.  |
| C       | 2000 | DC characteristics updated. DC performance graphs added.  |
| D       | 2013 | Added a note to each package drawing.   |

## APPENDIX B: DEVICE DIFFERENCES

The differences between the devices in this data sheet are listed in Table B-1.

**TABLE B-1: DEVICE DIFFERENCES**

| Difference          | PIC16F876/873   | PIC16F877/874   |
|---------------------|---|---|
| A/D                 | 5 channels,<br>10-bits                                    | 8 channels,<br>10-bits                                      |
| Parallel Slave Port | no  | yes   |
| Packages            | 28-pin PDIP,<br>28-pin windowed<br>CERDIP, 28-pin<br>SOIC | 40-pin PDIP,<br>44-pin TQFP,<br>44-pin MQFP,<br>44-pin PLCC |

# PIC16F87X

---

## APPENDIX C: CONVERSION CONSIDERATIONS

Considerations for converting from previous versions of devices to the ones listed in this data sheet are listed in Table C-1.

**TABLE C-1: CONVERSION  
CONSIDERATIONS**

| Characteristic    | PIC16C7X  | PIC16F87X  |
|-------------------|---|--|
| Pins              | 28/40   | 28/40  |
| Timers            | 3   | 3  |
| Interrupts        | 11 or 12  | 13 or 14   |
| Communication     | PSP, USART,<br>SSP (SPI, I <sup>2</sup> C<br>Slave) | PSP, USART,<br>SSP (SPI, I <sup>2</sup> C<br>Master/Slave) |
| Frequency         | 20 MHz  | 20 MHz   |
| Voltage           | 2.5V - 5.5V   | 2.0V - 5.5V  |
| A/D               | 8-bit   | 10-bit   |
| CCP               | 2   | 2  |
| Program<br>Memory | 4K, 8K<br>EPROM                                     | 4K, 8K<br>FLASH  |
| RAM               | 192, 368<br>bytes                                   | 192, 368<br>bytes  |
| EEPROM data       | None  | 128, 256<br>bytes  |
| Other             | —   | In-Circuit<br>Debugger,<br>Low Voltage<br>Programming      |

## INDEX

### A

|  |                 |
|--|-----------------|
| A/D  | 111             |
| Acquisition Requirements   | 114             |
| ADCON0 Register  | 111             |
| ADCON1 Register  | 112             |
| ADIF bit   | 112             |
| Analog Input Model Block Diagram                                     | 114             |
| Analog Port Pins   | 7, 8, 9, 36, 38 |
| Associated Registers and Bits  | 117             |
| Block Diagram  | 113             |
| Calculating Acquisition Time   | 114             |
| Configuring Analog Port Pins   | 115             |
| Configuring the Interrupt  | 113             |
| Configuring the Module   | 113             |
| Conversion Clock   | 115             |
| Conversions  | 116             |
| Delays   | 114             |
| Effects of a RESET   | 117             |
| GO/DONE bit  | 112             |
| Internal Sampling Switch (Rss) Impedance                             | 114             |
| Operation During SLEEP   | 117             |
| Result Registers   | 116             |
| Sampling Requirements  | 114             |
| Source Impedance   | 114             |
| Time Delays  | 114             |
| Absolute Maximum Ratings   | 149             |
| ACK  | 74              |
| Acknowledge Data bit   | 68              |
| Acknowledge Pulse  | 74              |
| Acknowledge Sequence Enable bit                                      | 68              |
| Acknowledge Status bit   | 68              |
| ADRES Register   | 15, 111         |
| Analog Port Pins. See A/D  |                 |
| Analog-to-Digital Converter. See A/D                                 |                 |
| Application Notes  |                 |
| AN552 (Implementing Wake-up on Key Strokes<br>Using PIC16CXXX)       | 31              |
| AN556 (Implementing a Table Read)                                    | 26              |
| AN578 (Use of the SSP Module in the I2C<br>Multi-Master Environment) | 73              |
| Architecture   |                 |
| PIC16F873/PIC16F876 Block Diagram                                    | 5               |
| PIC16F874/PIC16F877 Block Diagram                                    | 6               |
| Assembler  |                 |
| MPASM Assembler  | 143             |

### B

|                              |            |
|------------------------------|------------|
| Banking, Data Memory         | 12, 18     |
| Baud Rate Generator          | 79         |
| BCLIF                        | 24         |
| BF                           | 74, 82, 84 |
| Block Diagrams               |            |
| A/D                          | 113        |
| A/D Converter                | 113        |
| Analog Input Model           | 114        |
| Baud Rate Generator          | 79         |
| Capture Mode                 | 59         |
| Compare Mode                 | 60         |
| I <sup>2</sup> C Master Mode | 78         |
| I <sup>2</sup> C Module      | 73         |
| I <sup>2</sup> C Slave Mode  | 73         |
| Interrupt Logic              | 129        |
| PIC16F873/PIC16F876          | 5          |

|   |                    |
|---|--------------------|
| PIC16F874/PIC16F877                             | 6                  |
| PORTA   |                    |
| RA3:RA0 and RA5 Pins                            | 29                 |
| RA4/T0CKI Pin                                   | 29                 |
| PORTB   |                    |
| RB3:RB0 Port Pins                               | 31                 |
| RB7:RB4 Port Pins                               | 31                 |
| PORTC   |                    |
| Peripheral Output Override (RC 0:2, 5:7)        | 33                 |
| Peripheral Output Override (RC 3:4)             | 33                 |
| PORTD   | 35                 |
| PORTD and PORTE (Parallel Slave Port)           | 38                 |
| PORTE   | 36                 |
| PWM Mode  | 61                 |
| RESET Circuit                                   | 123                |
| SSP (I <sup>2</sup> C Mode)                     | 73                 |
| SSP (SPI Mode)                                  | 69                 |
| Timer0/WDT Prescaler                            | 47                 |
| Timer1  | 52                 |
| Timer2  | 55                 |
| USART Asynchronous Receive                      | 101                |
| USART Asynchronous Receive (9-bit Mode)         | 103                |
| USART Transmit                                  | 99                 |
| Watchdog Timer                                  | 131                |
| BOR. See Brown-out Reset                        |                    |
| BRG   | 79                 |
| BRGH bit  | 97                 |
| Brown-out Reset (BOR)                           | 119, 123, 125, 126 |
| BOR Status (BOR Bit)                            | 25                 |
| Buffer Full bit, BF                             | 74                 |
| Bus Arbitration                                 | 89                 |
| Bus Collision Section                           | 89                 |
| Bus Collision During a Repeated START Condition | 92                 |
| Bus Collision During a START Condition          | 90                 |
| Bus Collision During a STOP Condition           | 93                 |
| Bus Collision Interrupt Flag bit, BCLIF         | 24                 |

### C

|  |      |
|--|------|
| Capture/Compare/PWM (CCP)              | 57   |
| Associated Registers                   |      |
| Capture, Compare and Timer1            | 62   |
| PWM and Timer2                         | 63   |
| Capture Mode                           | 59   |
| Block Diagram                          | 59   |
| CCP1CON Register                       | 58   |
| CCP1IF                                 | 59   |
| Prescaler                              | 59   |
| CCP Timer Resources                    | 57   |
| CCP1                                   |      |
| RC2/CCP1 Pin                           | 7, 9 |
| CCP2                                   |      |
| RC1/T1OSI/CCP2 Pin                     | 7, 9 |
| Compare                                |      |
| Special Trigger Output of CCP1         | 60   |
| Special Trigger Output of CCP2         | 60   |
| Compare Mode                           | 60   |
| Block Diagram                          | 60   |
| Software Interrupt Mode                | 60   |
| Special Event Trigger                  | 60   |
| Interaction of Two CCP Modules (table) | 57   |

# PIC16F87X

|   |                |
|---|----------------|
| PWM Mode .....  | 61             |
| Block Diagram .....   | 61             |
| Duty Cycle .....  | 61             |
| Example Frequencies/Resolutions (Table) .....               | 62             |
| PWM Period .....  | 61             |
| Special Event Trigger and A/D Conversions .....             | 60             |
| CCP. See Capture/Compare/PWM                                |                |
| CCP1CON .....   | 17             |
| CCP2CON .....   | 17             |
| CCPR1H Register .....                                       | 15, 17, 57     |
| CCPR1L Register .....                                       | 17, 57         |
| CCPR2H Register .....                                       | 15, 17         |
| CCPR2L Register .....                                       | 15, 17         |
| CCPxM0 bit .....  | 58             |
| CCPxM1 bit .....  | 58             |
| CCPxM2 bit .....  | 58             |
| CCPxM3 bit .....  | 58             |
| CCPxX bit .....   | 58             |
| CCPxY bit .....   | 58             |
| CKE .....   | 66             |
| CKP .....   | 67             |
| Clock Polarity Select bit, CKP .....                        | 67             |
| Code Examples   |                |
| Call of a Subroutine in Page 1 from Page 0 .....            | 26             |
| EEPROM Data Read .....                                      | 43             |
| EEPROM Data Write .....                                     | 43             |
| FLASH Program Read .....                                    | 44             |
| FLASH Program Write .....                                   | 45             |
| Indirect Addressing .....                                   | 27             |
| Initializing PORTA .....                                    | 29             |
| Saving STATUS, W and PCLATH Registers .....                 | 130            |
| Code Protected Operation                                    |                |
| Data EEPROM and FLASH Program Memory .....                  | 45             |
| Code Protection .....                                       | 119, 133       |
| Computed GOTO .....   | 26             |
| Configuration Bits .....                                    | 119            |
| Configuration Word .....                                    | 120            |
| Conversion Considerations .....                             | 198            |
| <b>D</b>  |                |
| D $\bar{A}$ .....   | 66             |
| Data EEPROM .....   | 41             |
| Associated Registers .....                                  | 46             |
| Code Protection .....                                       | 45             |
| Reading .....   | 43             |
| Special Functions Registers .....                           | 41             |
| Spurious Write Protection .....                             | 45             |
| Write Verify .....  | 45             |
| Writing to .....  | 43             |
| Data Memory .....   | 12             |
| Bank Select (RP1:RP0 Bits) .....                            | 12, 18         |
| General Purpose Registers .....                             | 12             |
| Register File Map .....                                     | 13, 14         |
| Special Function Registers .....                            | 15             |
| Data/Address bit, D $\bar{A}$ .....                         | 66             |
| DC and AC Characteristics Graphs and Tables .....           | 177            |
| DC Characteristics  |                |
| Commercial and Industrial .....                             | 152–156        |
| Extended .....  | 157–160        |
| Development Support .....                                   | 143            |
| Device Differences .....                                    | 197            |
| Device Overview .....                                       | 5              |
| Direct Addressing .....                                     | 27             |
| <b>E</b>  |                |
| Electrical Characteristics .....                            | 149            |
| Errata .....  | 4              |
| External Clock Input (RA4/T0CKI). See Timer0                |                |
| External Interrupt Input (RB0/INT). See Interrupt Sources   |                |
| <b>F</b>  |                |
| Firmware Instructions .....                                 | 135            |
| FLASH Program Memory .....                                  | 41             |
| Associated Registers .....                                  | 46             |
| Code Protection .....                                       | 45             |
| Configuration Bits and Read/Write State .....               | 46             |
| Reading .....   | 44             |
| Special Function Registers .....                            | 41             |
| Spurious Write Protection .....                             | 45             |
| Write Protection .....                                      | 46             |
| Write Verify .....  | 45             |
| Writing to .....  | 44             |
| FSR Register .....  | 15, 16, 17, 27 |
| <b>G</b>  |                |
| General Call Address Sequence .....                         | 76             |
| General Call Address Support .....                          | 76             |
| General Call Enable bit .....                               | 68             |
| <b>I</b>  |                |
| I/O Ports .....   | 29             |
| I <sup>2</sup> C .....                                      | 73             |
| I <sup>2</sup> C Bus  |                |
| Connection Considerations .....                             | 94             |
| Sample Device Configuration .....                           | 94             |
| I <sup>2</sup> C Master Mode Reception .....                | 84             |
| I <sup>2</sup> C Master Mode Repeated START Condition ..... | 81             |
| I <sup>2</sup> C Mode Selection .....                       | 73             |
| I <sup>2</sup> C Module                                     |                |
| Acknowledge Sequence Timing .....                           | 86             |
| Addressing .....  | 74             |
| Associated Registers .....                                  | 77             |
| Baud Rate Generator .....                                   | 79             |
| Block Diagram .....   | 78             |
| BRG Block Diagram .....                                     | 79             |
| BRG Reset due to SDA Collision .....                        | 91             |
| BRG Timing .....  | 80             |
| Bus Arbitration .....                                       | 89             |
| Bus Collision .....   | 89             |
| Acknowledge .....   | 89             |
| Repeated START Condition .....                              | 92             |
| Repeated START Condition Timing                             |                |
| (Case1) .....   | 92             |
| Repeated START Condition Timing                             |                |
| (Case2) .....   | 92             |
| START Condition .....                                       | 90             |
| START Condition Timing .....                                | 90, 91         |
| STOP Condition .....  | 93             |
| STOP Condition Timing (Case1) .....                         | 93             |
| STOP Condition Timing (Case2) .....                         | 93             |
| Transmit Timing .....                                       | 89             |
| Bus Collision Timing .....                                  | 89             |
| Clock Arbitration .....                                     | 88             |
| Clock Arbitration Timing (Master Transmit) .....            | 88             |
| Conditions to not give ACK Pulse .....                      | 74             |
| General Call Address Support .....                          | 76             |
| Master Mode .....   | 78             |
| Master Mode 7-bit Reception Timing .....                    | 85             |
| Master Mode Block Diagram .....                             | 78             |



|  |            |   |               |
|--|------------|---|---------------|
| Master Mode Operation .....                            | 79         | INT Interrupt (RB0/INT). See Interrupt Sources          |               |
| Master Mode START Condition .....                      | 80         | INTCON .....  | 17            |
| Master Mode Transmission .....                         | 82         | INTCON Register .....                                   | 20            |
| Master Mode Transmit Sequence .....                    | 79         | GIE Bit .....   | 20            |
| Multi-Master Communication .....                       | 89         | INTE Bit .....  | 20            |
| Multi-master Mode .....                                | 78         | INTF Bit .....  | 20            |
| Operation .....  | 73         | PEIE Bit .....  | 20            |
| Repeat START Condition Timing .....                    | 81         | RBIE Bit .....  | 20            |
| Slave Mode .....                                       | 74         | RBIF Bit .....  | 20, 31        |
| Block Diagram .....                                    | 73         | TOIE Bit .....  | 20            |
| Slave Reception .....                                  | 74         | TOIF Bit .....  | 20            |
| Slave Transmission .....                               | 75         | Inter-Integrated Circuit (I <sup>2</sup> C) .....       | 65            |
| SSPBUF .....   | 73         | Internal Sampling Switch (Rss) Impedance .....          | 114           |
| STOP Condition Receive or Transmit Timing .....        | 87         | Interrupt Sources .....                                 | 119, 129      |
| STOP Condition Timing .....                            | 87         | Block Diagram .....                                     | 129           |
| Waveforms for 7-bit Reception .....                    | 75         | Interrupt-on-Change (RB7:RB4) .....                     | 31            |
| Waveforms for 7-bit Transmission .....                 | 76         | RB0/INT Pin, External .....                             | 7, 8, 130     |
| I <sup>2</sup> C Module Address Register, SSPADD ..... | 73         | TMR0 Overflow .....                                     | 130           |
| I <sup>2</sup> C Slave Mode .....                      | 74         | USART Receive/Transmit Complete .....                   | 95            |
| ICEPIC In-Circuit Emulator .....                       | 144        | Interrupts  |               |
| ID Locations .....                                     | 119, 133   | Bus Collision Interrupt .....                           | 24            |
| In-Circuit Serial Programming (ICSP) .....             | 119, 134   | Synchronous Serial Port Interrupt .....                 | 22            |
| INDF .....   | 17         | Interrupts, Context Saving During .....                 | 130           |
| INDF Register .....                                    | 15, 16, 27 | Interrupts, Enable Bits                                 |               |
| Indirect Addressing .....                              | 27         | Global Interrupt Enable (GIE Bit) .....                 | 20, 129       |
| FSR Register .....                                     | 12         | Interrupt-on-Change (RB7:RB4) Enable                    |               |
| Instruction Format .....                               | 135        | (RBIE Bit) .....  | 130           |
| Instruction Set .....                                  | 135        | Interrupt-on-Change (RB7:RB4) Enable                    |               |
| ADDLW .....  | 137        | (RBIE Bit) .....  | 20            |
| ADDWF .....  | 137        | Peripheral Interrupt Enable (PEIE Bit) .....            | 20            |
| ANDLW .....  | 137        | RB0/INT Enable (INTE Bit) .....                         | 20            |
| ANDWF .....  | 137        | TMR0 Overflow Enable (TOIE Bit) .....                   | 20            |
| BCF .....  | 137        | Interrupts, Flag Bits                                   |               |
| BSF .....  | 137        | Interrupt-on-Change (RB7:RB4) Flag                      |               |
| BTFSC .....  | 137        | (RBIF Bit) .....  | 130           |
| BTFSS .....  | 137        | Interrupt-on-Change (RB7:RB4) Flag                      |               |
| CALL .....   | 138        | (RBIF Bit) .....  | 20, 31        |
| CLRF .....   | 138        | RB0/INT Flag (INTF Bit) .....                           | 20            |
| CLRWF .....  | 138        | TMR0 Overflow Flag (TOIF Bit) .....                     | 20, 130       |
| CLRWDW .....   | 138        | <b>K</b>  |               |
| COMF .....   | 138        | KEELOQ Evaluation and Programming Tools .....           | 146           |
| DECF .....   | 138        | <b>L</b>  |               |
| DECFSZ .....   | 139        | Loading of PC .....                                     | 26            |
| GOTO .....   | 139        | <b>M</b>  |               |
| INCF .....   | 139        | Master Clear ( $\overline{\text{MCLR}}$ ) .....         | 7, 8          |
| INCFSZ .....   | 139        | MCLR Reset, Normal Operation .....                      | 123, 125, 126 |
| IORLW .....  | 139        | MCLR Reset, SLEEP .....                                 | 123, 125, 126 |
| IORWF .....  | 139        | Memory Organization                                     |               |
| MOVF .....   | 140        | Data Memory .....                                       | 12            |
| MOVLW .....  | 140        | Program Memory .....                                    | 11            |
| MOVWF .....  | 140        | MPLAB C17 and MPLAB C18 C Compilers .....               | 143           |
| NOP .....  | 140        | MPLAB ICD In-Circuit Debugger .....                     | 145           |
| RETFIE .....   | 140        | MPLAB ICE High Performance Universal In-Circuit         |               |
| RETLW .....  | 140        | Emulator with MPLAB IDE .....                           | 144           |
| RETURN .....   | 141        | MPLAB Integrated Development Environment Software ..... | 143           |
| RLF .....  | 141        | MPLINK Object Linker/MPLIB Object Librarian .....       | 144           |
| RRF .....  | 141        | Multi-Master Communication .....                        | 89            |
| SLEEP .....  | 141        | Multi-Master Mode .....                                 | 78            |
| SUBLW .....  | 141        |   |               |
| SUBWF .....  | 141        |   |               |
| SWAPF .....  | 142        |   |               |
| XORLW .....  | 142        |   |               |
| XORWF .....  | 142        |   |               |
| Summary Table .....                                    | 136        |   |               |

# PIC16F87X

## O

|                                      |               |
|--------------------------------------|---------------|
| On-Line Support .....                | 207           |
| OPCODE Field Descriptions .....      | 135           |
| OPTION_REG Register .....            | 19, 48        |
| INTEDG Bit .....                     | 19            |
| PS2:PS0 Bits .....                   | 19            |
| PSA Bit .....                        | 19            |
| T0CS Bit .....                       | 19            |
| T0SE Bit .....                       | 19            |
| OSC1/CLKIN Pin .....                 | 7, 8          |
| OSC2/CLKOUT Pin .....                | 7, 8          |
| Oscillator Configuration .....       | 119           |
| HS .....                             | 121, 124      |
| LP .....                             | 121, 124      |
| RC .....                             | 121, 122, 124 |
| XT .....                             | 121, 124      |
| Oscillator, WDT .....                | 131           |
| Oscillators                          |               |
| Capacitor Selection .....            | 122           |
| Crystal and Ceramic Resonators ..... | 121           |
| RC .....                             | 122           |

## P

|   |                |
|---|----------------|
| P (STOP bit) .....                            | 66             |
| Package Marking Information .....             | 189            |
| Packaging Information .....                   | 189            |
| Paging, Program Memory .....                  | 11, 26         |
| Parallel Slave Port (PSP) .....               | 9, 35, 38      |
| Associated Registers .....                    | 39             |
| Block Diagram .....                           | 38             |
| RE0/RD/AN5 Pin .....                          | 9, 36, 38      |
| RE1/WR/AN6 Pin .....                          | 9, 36, 38      |
| RE2/CS/AN7 Pin .....                          | 9, 36, 38      |
| Read Waveforms .....                          | 39             |
| Select (PSPMODE Bit) .....                    | 35, 36, 37, 38 |
| Write Waveforms .....                         | 39             |
| PCL Register .....                            | 15, 16, 26     |
| PCLATH Register .....                         | 15, 16, 17, 26 |
| PCON Register .....                           | 25, 124        |
| BOR Bit .....                                 | 25             |
| POR Bit .....                                 | 25             |
| PIC16F876 Pinout Description .....            | 7              |
| PIC16F87X Product Identification System ..... | 209            |
| PICDEM 1 Low Cost PIC MCU                     |                |
| Demonstration Board .....                     | 145            |
| PICDEM 17 Demonstration Board .....           | 146            |
| PICDEM 2 Low Cost PIC16CXX                    |                |
| Demonstration Board .....                     | 145            |
| PICDEM 3 Low Cost PIC16CXXX                   |                |
| Demonstration Board .....                     | 146            |
| PICSTART Plus Entry Level                     |                |
| Development Programmer .....                  | 145            |
| PIE1 Register .....                           | 21             |
| PIE2 Register .....                           | 23             |
| Pinout Descriptions                           |                |
| PIC16F873/PIC16F876 .....                     | 7              |
| PIC16F874/PIC16F877 .....                     | 8              |
| PIR1 Register .....                           | 22             |
| PIR2 Register .....                           | 24             |
| POP .....                                     | 26             |
| POR. See Power-on Reset                       |                |

|  |              |
|--|--------------|
| PORTA .....                              | 7, 8, 17     |
| Analog Port Pins .....                   | 7, 8         |
| Associated Registers .....               | 30           |
| Block Diagram                            |              |
| RA3:RA0 and RA5 Pins .....               | 29           |
| RA4/T0CKI Pin .....                      | 29           |
| Initialization .....                     | 29           |
| PORTA Register .....                     | 15, 29       |
| RA3                                      |              |
| RA0 and RA5 Port Pins .....              | 29           |
| RA4/T0CKI Pin .....                      | 7, 8         |
| RA5/SS/AN4 Pin .....                     | 7, 8         |
| TRISA Register .....                     | 29           |
| PORTB .....                              | 7, 8, 17     |
| Associated Registers .....               | 32           |
| Block Diagram                            |              |
| RB3:RB0 Port Pins .....                  | 31           |
| RB7:RB4 Port Pins .....                  | 31           |
| PORTB Register .....                     | 15, 31       |
| RB0/INT Edge Select (INTEDG Bit) .....   | 19           |
| RB0/INT Pin, External .....              | 7, 8, 130    |
| RB7:RB4 Interrupt on Change .....        | 130          |
| RB7:RB4 Interrupt on Change Enable       |              |
| (RBIE Bit) .....                         | 130          |
| RB7:RB4 Interrupt on Change Flag         |              |
| (RBIF Bit) .....                         | 130          |
| RB7:RB4 Interrupt-on-Change Enable       |              |
| (RBIE Bit) .....                         | 20           |
| RB7:RB4 Interrupt-on-Change Flag         |              |
| (RBIF Bit) .....                         | 20, 31       |
| TRISB Register .....                     | 17, 31       |
| PORTC .....                              | 7, 9, 17     |
| Associated Registers .....               | 34           |
| Block Diagrams                           |              |
| Peripheral Output Override               |              |
| (RC 0:2, 5:7) .....                      | 33           |
| Peripheral Output Override               |              |
| (RC 3:4) .....                           | 33           |
| PORTC Register .....                     | 15, 33       |
| RC0/T1OSO/T1CKI Pin .....                | 7, 9         |
| RC1/T1OSI/CCP2 Pin .....                 | 7, 9         |
| RC2/CCP1 Pin .....                       | 7, 9         |
| RC3/SCK/SCL Pin .....                    | 7, 9         |
| RC4/SDI/SDA Pin .....                    | 7, 9         |
| RC5/SDO Pin .....                        | 7, 9         |
| RC6/TX/CK Pin .....                      | 7, 9, 96     |
| RC7/RX/DT Pin .....                      | 7, 9, 96, 97 |
| TRISC Register .....                     | 33, 95       |
| PORTD .....                              | 9, 17, 38    |
| Associated Registers .....               | 35           |
| Block Diagram .....                      | 35           |
| Parallel Slave Port (PSP) Function ..... | 35           |
| PORTD Register .....                     | 15, 35       |
| TRISD Register .....                     | 35           |

|  |                         |
|--|-------------------------|
| PORTE .....  | 9, 17                   |
| Analog Port Pins .....   | 9, 36, 38               |
| Associated Registers .....   | 36                      |
| Block Diagram .....  | 36                      |
| Input Buffer Full Status (IBF Bit) .....                             | 37                      |
| Input Buffer Overflow (IBOV Bit) .....                               | 37                      |
| Output Buffer Full Status (OBF Bit) .....                            | 37                      |
| PORTE Register .....   | 15, 36                  |
| PSP Mode Select (PSPMODE Bit) .....                                  | 35, 36, 37, 38          |
| RE0/RD/AN5 Pin .....   | 9, 36, 38               |
| RE1/WR/AN6 Pin .....   | 9, 36, 38               |
| RE2/CS/AN7 Pin .....   | 9, 36, 38               |
| TRISE Register .....   | 36                      |
| Postscaler, WDT  |                         |
| Assignment (PSA Bit) .....   | 19                      |
| Rate Select (PS2:PS0 Bits) .....                                     | 19                      |
| Power-down Mode. <i>See</i> SLEEP                                    |                         |
| Power-on Reset (POR) .....   | 119, 123, 124, 125, 126 |
| Oscillator Start-up Timer (OST) .....                                | 119, 124                |
| POR Status ( $\overline{\text{POR}}$ Bit) .....                      | 25                      |
| Power Control (PCON) Register .....                                  | 124                     |
| Power-down (PD Bit) .....  | 18, 123                 |
| Power-up Timer (PWRT) .....  | 119, 124                |
| Time-out ( $\overline{\text{TO}}$ Bit) .....                         | 18, 123                 |
| Time-out Sequence on Power-up .....                                  | 127, 128                |
| PR2 Register .....   | 16, 55                  |
| Prescaler, Timer0  |                         |
| Assignment (PSA Bit) .....   | 19                      |
| Rate Select (PS2:PS0 Bits) .....                                     | 19                      |
| PRO MATE II Universal Device Programmer .....                        | 145                     |
| Program Counter  |                         |
| RESET Conditions .....   | 125                     |
| Program Memory .....   | 11                      |
| Interrupt Vector .....   | 11                      |
| Paging .....   | 11, 26                  |
| Program Memory Map .....   | 11                      |
| RESET Vector .....   | 11                      |
| Program Verification .....   | 133                     |
| Programming Pin (VPP) .....  | 7, 8                    |
| Programming, Device Instructions .....                               | 135                     |
| PSP. <i>See</i> Parallel Slave Port. ....                            | 38                      |
| Pulse Width Modulation. <i>See</i> Capture/Compare/PWM,<br>PWM Mode. |                         |
| PUSH .....   | 26                      |
| <b>R</b>   |                         |
| $\overline{\text{R/W}}$ .....  | 66                      |
| R/W bit .....  | 74                      |
| $\overline{\text{R/W}}$ bit .....                                    | 74                      |
| RAM. <i>See</i> Data Memory  |                         |
| RCREG .....  | 17                      |
| RCSTA Register .....   | 17, 96                  |
| ADDEN Bit .....  | 96                      |
| CREN Bit .....   | 96                      |
| FERR Bit .....   | 96                      |
| OERR Bit .....   | 96                      |
| RX9 Bit .....  | 96                      |
| RX9D Bit .....   | 96                      |
| SPEN Bit .....   | 95, 96                  |
| SREN Bit .....   | 96                      |
| Read/Write bit, $\overline{\text{R/W}}$ .....                        | 66                      |
| Reader Response .....  | 208                     |
| Receive Enable bit .....   | 68                      |
| Receive Overflow Indicator bit, SSPOV .....                          | 67                      |
| Register File .....  | 12                      |
| Register File Map .....  | 13, 14                  |

|   |          |
|---|----------|
| Registers   |          |
| ADCON0 (A/D Control 0) .....                            | 111      |
| ADCON1 (A/D Control 1) .....                            | 112      |
| CCP1CON (CCP Control 1) .....                           | 58       |
| EECON2 .....  | 41       |
| FSR .....   | 27       |
| INTCON .....  | 20       |
| OPTION_REG .....  | 19, 48   |
| PCON (Power Control) .....                              | 25       |
| PIE1 (Peripheral Interrupt Enable 1) .....              | 21       |
| PIE2 (Peripheral Interrupt Enable 2) .....              | 23       |
| PIR1 (Peripheral Interrupt Request 1) .....             | 22       |
| PIR2 (Peripheral Interrupt Request 2) .....             | 24       |
| RCSTA (Receive Status and Control) .....                | 96       |
| Special Function, Summary .....                         | 15       |
| SSPCON2 (Sync Serial Port Control 2) .....              | 68       |
| STATUS .....  | 18       |
| T1CON (Timer1 Control) .....                            | 51       |
| T2CON (Timer 2 Control)                                 |          |
| Timer2  |          |
| T2CON Register .....                                    | 55       |
| TRISE .....   | 37       |
| TXSTA (Transmit Status and Control) .....               | 95       |
| Repeated START Condition Enable bit .....               | 68       |
| RESET .....   | 119, 123 |
| Block Diagram .....                                     | 123      |
| MCLR Reset. <i>See</i> MCLR                             |          |
| RESET   |          |
| Brown-out Reset (BOR). <i>See</i> Brown-out Reset (BOR) |          |
| Power-on Reset (POR). <i>See</i> Power-on Reset (POR)   |          |
| RESET Conditions for PCON Register .....                | 125      |
| RESET Conditions for Program Counter .....              | 125      |
| RESET Conditions for STATUS Register .....              | 125      |
| WDT Reset. <i>See</i> Watchdog Timer (WDT)              |          |
| Revision History .....                                  | 197      |

## S

|  |               |
|--|---------------|
| S (START bit) .....                              | 66            |
| Sales and Support .....                          | 209           |
| SCI. <i>See</i> USART                            |               |
| SCK .....  | 69            |
| SCL .....  | 74            |
| SDA .....  | 74            |
| SDI .....  | 69            |
| SDO .....  | 69            |
| Serial Clock, SCK .....                          | 69            |
| Serial Clock, SCL .....                          | 74            |
| Serial Communication Interface. <i>See</i> USART |               |
| Serial Data Address, SDA .....                   | 74            |
| Serial Data In, SDI .....                        | 69            |
| Serial Data Out, SDO .....                       | 69            |
| Slave Select, $\overline{\text{SS}}$ .....       | 69            |
| SLEEP .....                                      | 119, 123, 132 |
| SMP .....  | 66            |
| Software Simulator (MPLAB SIM) .....             | 144           |
| SPBRG Register .....                             | 16            |
| Special Features of the CPU .....                | 119           |
| Special Function Registers .....                 | 15            |
| Special Function Registers (SFRs) .....          | 15            |
| Data EEPROM and FLASH Program Memory .....       | 41            |
| Speed, Operating .....                           | 1             |

# PIC16F87X

|  |            |  |
|--|------------|--|
| SPI  |            |  |
| Master Mode  | 70         |  |
| Master Mode Timing                                       | 70         |  |
| Serial Clock   | 69         |  |
| Serial Data In   | 69         |  |
| Serial Data Out  | 69         |  |
| Serial Peripheral Interface (SPI)                        | 65         |  |
| Slave Mode Timing  | 71         |  |
| Slave Mode Timing Diagram                                | 71         |  |
| Slave Select   | 69         |  |
| SPI Clock  | 70         |  |
| SPI Mode   | 69         |  |
| SPI Clock Edge Select, CKE                               | 66         |  |
| SPI Data Input Sample Phase Select, SMP                  | 66         |  |
| SPI Mode   |            |  |
| Associated Registers                                     | 72         |  |
| SPI Module   |            |  |
| Slave Mode   | 71         |  |
| SS   | 69         |  |
| SSP  | 65         |  |
| Block Diagram (SPI Mode)                                 | 69         |  |
| RA5/ $\overline{\text{SS}}$ /AN4 Pin                     | 7, 8       |  |
| RC3/SCK/SCL Pin  | 7, 9       |  |
| RC4/SDI/SDA Pin  | 7, 9       |  |
| RC5/SDO Pin  | 7, 9       |  |
| SPI Mode   | 69         |  |
| SSPADD   | 73, 74     |  |
| SSPBUF   | 70, 73     |  |
| SSPCON2  | 68         |  |
| SSPSR  | 70, 74     |  |
| SSPSTAT  | 73         |  |
| SSP I <sup>2</sup> C                                     |            |  |
| SSP I <sup>2</sup> C Operation                           | 73         |  |
| SSP Module   |            |  |
| SPI Master Mode  | 70         |  |
| SPI Slave Mode   | 71         |  |
| SSPCON1 Register   | 73         |  |
| SSP Overflow Detect bit, SSPOV                           | 74         |  |
| SSPADD Register  | 16         |  |
| SSPBUF   | 17, 73, 74 |  |
| SSPBUF Register  | 15         |  |
| SSPCON Register  | 15         |  |
| SSPCON1  | 73         |  |
| SSPCON2 Register   | 68         |  |
| SSPEN  | 67         |  |
| SSPIF  | 22, 74     |  |
| SSPM3:SSPM0  | 67         |  |
| SSPOV  | 67, 74, 84 |  |
| SSPSTAT  | 73         |  |
| SSPSTAT Register   | 16         |  |
| Stack  | 26         |  |
| Overflows  | 26         |  |
| Underflow  | 26         |  |
| START bit (S)  | 66         |  |
| START Condition Enable bit                               | 68         |  |
| STATUS Register  | 18         |  |
| C Bit  | 18         |  |
| DC Bit   | 18         |  |
| IRP Bit  | 18         |  |
| $\overline{\text{PD}}$ Bit                               | 18, 123    |  |
| RP1:RP0 Bits   | 18         |  |
| $\overline{\text{TO}}$ Bit                               | 18, 123    |  |
| Z Bit  | 18         |  |
| STOP bit (P)   | 66         |  |
| STOP Condition Enable bit                                | 68         |  |
| Synchronous Serial Port                                  | 65         |  |
| Synchronous Serial Port Enable bit, SSPEN                | 67         |  |
| Synchronous Serial Port Interrupt                        | 22         |  |
| Synchronous Serial Port Mode Select bits,<br>SSPM3:SSPM0 | 67         |  |
| T  |            |  |
| T1CKPS0 bit  | 51         |  |
| T1CKPS1 bit  | 51         |  |
| T1CON  | 17         |  |
| T1CON Register   | 17         |  |
| T1OS $\overline{\text{CEN}}$ bit                         | 51         |  |
| T1SYNC bit   | 51         |  |
| T2CKPS0 bit  | 55         |  |
| T2CKPS1 bit  | 55         |  |
| T2CON Register   | 17, 55     |  |
| TAD  | 115        |  |
| Time-out Sequence  | 124        |  |
| Timer0   | 47         |  |
| Associated Registers                                     | 49         |  |
| Clock Source Edge Select (T0SE Bit)                      | 19         |  |
| Clock Source Select (T0CS Bit)                           | 19         |  |
| External Clock   | 48         |  |
| Interrupt  | 47         |  |
| Overflow Enable (T0IE Bit)                               | 20         |  |
| Overflow Flag (T0IF Bit)                                 | 20, 130    |  |
| Overflow Interrupt                                       | 130        |  |
| Prescaler  | 48         |  |
| RA4/T0CKI Pin, External Clock                            | 7, 8       |  |
| T0CKI  | 48         |  |
| WDT Prescaler Block Diagram                              | 47         |  |
| Timer1   | 51         |  |
| Associated Registers                                     | 54         |  |
| Asynchronous Counter Mode                                | 53         |  |
| Reading and Writing to                                   | 53         |  |
| Block Diagram  | 52         |  |
| Counter Operation  | 52         |  |
| Operation in Timer Mode                                  | 52         |  |
| Oscillator   | 53         |  |
| Capacitor Selection                                      | 53         |  |
| Prescaler  | 54         |  |
| RC0/T1OSO/T1CKI Pin                                      | 7, 9       |  |
| RC1/T1OSI/CCP2 Pin                                       | 7, 9       |  |
| Resetting of Timer1 Registers                            | 54         |  |
| Resetting Timer1 using a CCP Trigger Output              | 53         |  |
| Synchronized Counter Mode                                | 52         |  |
| T1CON  | 51         |  |
| T1CON Register   | 51         |  |
| TMR1H  | 53         |  |
| TMR1L  | 53         |  |
| Timer2   | 55         |  |
| Associated Registers                                     | 56         |  |
| Block Diagram  | 55         |  |
| Output   | 56         |  |
| Postscaler   | 55         |  |
| Prescaler  | 55         |  |
| T2CON  | 55         |  |
| Timing Diagrams  |            |  |
| A/D Conversion   | 175        |  |
| Acknowledge Sequence Timing                              | 86         |  |
| Baud Rate Generator with Clock Arbitration               | 80         |  |
| BRG Reset Due to SDA Collision                           | 91         |  |
| Brown-out Reset  | 164        |  |
| Bus Collision  |            |  |
| START Condition Timing                                   | 90         |  |

|   |                |  |        |
|---|----------------|--|--------|
| Bus Collision During a Repeated<br>START Condition (Case 1) ..... | 92             | TXSTA Register .....   | 95     |
| Bus Collision During a Repeated<br>START Condition (Case2) .....  | 92             | BRGH Bit .....   | 95     |
| Bus Collision During a START<br>Condition (SCL = 0) .....         | 91             | CSRC Bit .....   | 95     |
| Bus Collision During a STOP Condition .....                       | 93             | SYNC Bit .....   | 95     |
| Bus Collision for Transmit and Acknowledge .....                  | 89             | TRMT Bit .....   | 95     |
| Capture/Compare/PWM .....   | 166            | TX9 Bit .....  | 95     |
| CLKOUT and I/O .....  | 163            | TX9D Bit .....   | 95     |
| I <sup>2</sup> C Bus Data .....                                   | 171            | TXEN Bit .....   | 95     |
| I <sup>2</sup> C Bus START/STOP bits .....                        | 170            | <b>U</b>   |        |
| I <sup>2</sup> C Master Mode First START Bit Timing .....         | 80             | UA .....   | 66     |
| I <sup>2</sup> C Master Mode Reception Timing .....               | 85             | Universal Synchronous Asynchronous Receiver<br>Transmitter. <i>See</i> USART               |        |
| I <sup>2</sup> C Master Mode Transmission Timing .....            | 83             | Update Address, UA .....   | 66     |
| Master Mode Transmit Clock Arbitration .....                      | 88             | USART .....  | 95     |
| Power-up Timer .....  | 164            | Address Detect Enable (ADDEN Bit) .....  | 96     |
| Repeat START Condition .....                                      | 81             | Asynchronous Mode .....  | 99     |
| RESET .....   | 164            | Asynchronous Receive .....   | 101    |
| SPI Master Mode .....   | 70             | Associated Registers .....   | 102    |
| SPI Slave Mode (CKE = 1) .....                                    | 71             | Block Diagram .....  | 101    |
| SPI Slave Mode Timing (CKE = 0) .....                             | 71             | Asynchronous Receive (9-bit Mode) .....  | 103    |
| Start-up Timer .....  | 164            | Associated Registers .....   | 104    |
| STOP Condition Receive or Transmit .....                          | 87             | Block Diagram .....  | 103    |
| Time-out Sequence on Power-up .....                               | 127, 128       | Timing Diagram .....   | 104    |
| Timer0 .....  | 165            | Asynchronous Receive with Address Detect.<br><i>See</i> Asynchronous Receive (9-bit Mode). |        |
| Timer1 .....  | 165            | Asynchronous Reception .....   | 102    |
| USART Asynchronous Master Transmission .....                      | 100            | Asynchronous Transmitter .....   | 99     |
| USART Asynchronous Reception .....                                | 102            | Baud Rate Generator (BRG) .....  | 97     |
| USART Synchronous Receive .....                                   | 173            | Baud Rate Formula .....  | 97     |
| USART Synchronous Reception .....                                 | 108            | Baud Rates, Asynchronous Mode (BRGH=0) ...   | 98     |
| USART Synchronous Transmission .....                              | 106, 173       | High Baud Rate Select (BRGH Bit) .....   | 95     |
| USART, Asynchronous Reception .....                               | 104            | Sampling .....   | 97     |
| Wake-up from SLEEP via Interrupt .....                            | 133            | Clock Source Select (CSRC Bit) .....   | 95     |
| Watchdog Timer .....  | 164            | Continuous Receive Enable (CREN Bit) .....   | 96     |
| TMR0 .....  | 17             | Framing Error (FERR Bit) .....   | 96     |
| TMR0 Register .....   | 15             | Mode Select (SYNC Bit) .....   | 95     |
| TMR1CS bit .....  | 51             | Overrun Error (OERR Bit) .....   | 96     |
| TMR1H .....   | 17             | RC6/TX/CK Pin .....  | 7, 9   |
| TMR1H Register .....  | 15             | RC7/RX/DT Pin .....  | 7, 9   |
| TMR1L .....   | 17             | RCSTA Register .....   | 96     |
| TMR1L Register .....  | 15             | Receive Data, 9th bit (RX9D Bit) .....   | 96     |
| TMR1ON bit .....  | 51             | Receive Enable, 9-bit (RX9 Bit) .....  | 96     |
| TMR2 .....  | 17             | Serial Port Enable (SPEN Bit) .....  | 95, 96 |
| TMR2 Register .....   | 15             | Single Receive Enable (SREN Bit) .....   | 96     |
| TMR2ON bit .....  | 55             | Synchronous Master Mode .....  | 105    |
| TOUTPS0 bit .....   | 55             | Synchronous Master Reception .....   | 107    |
| TOUTPS1 bit .....   | 55             | Associated Registers .....   | 107    |
| TOUTPS2 bit .....   | 55             | Synchronous Master Transmission .....  | 105    |
| TOUTPS3 bit .....   | 55             | Associated Registers .....   | 106    |
| TRISA Register .....  | 16             | Synchronous Slave Mode .....   | 108    |
| TRISB Register .....  | 16             | Synchronous Slave Reception .....  | 109    |
| TRISC Register .....  | 16             | Associated Registers .....   | 109    |
| TRISD Register .....  | 16             | Synchronous Slave Transmit .....   | 108    |
| TRISE Register .....  | 16, 36, 37     | Associated Registers .....   | 108    |
| IBF Bit .....   | 37             | Transmit Block Diagram .....   | 99     |
| IBOV Bit .....  | 37             | Transmit Data, 9th Bit (TX9D) .....  | 95     |
| OBF Bit .....   | 37             | Transmit Enable (TXEN Bit) .....   | 95     |
| PSPMODE Bit .....   | 35, 36, 37, 38 | Transmit Enable, Nine-bit (TX9 Bit) .....  | 95     |
| TXREG .....   | 17             | Transmit Shift Register Status (TRMT Bit) .....  | 95     |
|   |                | TXSTA Register .....   | 95     |

# PIC16F87X

---

## W

|  |                        |
|--|------------------------|
| Wake-up from SLEEP .....                         | 119, 132               |
| Interrupts .....                                 | 125, 126               |
| MCLR Reset .....                                 | 126                    |
| Timing Diagram .....                             | 133                    |
| WDT Reset .....                                  | 126                    |
| Watchdog Timer (WDT) .....                       | 119, 131               |
| Block Diagram .....                              | 131                    |
| Enable (WDTE Bit) .....                          | 131                    |
| Postscaler. See Postscaler, WDT                  |                        |
| Programming Considerations .....                 | 131                    |
| RC Oscillator .....                              | 131                    |
| Time-out Period .....                            | 131                    |
| WDT Reset, Normal Operation .....                | 123, 125, 126          |
| WDT Reset, SLEEP .....                           | 123, 125, 126          |
| Waveform for General Call Address Sequence ..... | 76                     |
| WCOL .....                                       | 67, 80, 82, 84, 86, 87 |
| WCOL Status Flag .....                           | 80                     |
| Write Collision Detect bit, WCOL .....           | 67                     |
| Write Verify                                     |                        |
| Data EEPROM and FLASH Program Memory .....       | 45                     |
| WWW, On-Line Support .....                       | 4                      |

## ON-LINE SUPPORT

Microchip provides on-line support on the Microchip World Wide Web (WWW) site.

The web site is used by Microchip as a means to make files and information easily available to customers. To view the site, the user must have access to the Internet and a web browser, such as Netscape or Microsoft Explorer. Files are also available for FTP download from our FTP site.

### Connecting to the Microchip Internet Web Site

The Microchip web site is available by using your favorite Internet browser to attach to:

**[www.microchip.com](http://www.microchip.com)**

The file transfer site is available by using an FTP service to connect to:

**<ftp://ftp.microchip.com>**

The web site and file transfer site provide a variety of services. Users may download files for the latest Development Tools, Data Sheets, Application Notes, User's Guides, Articles and Sample Programs. A variety of Microchip specific business information is also available, including listings of Microchip sales offices, distributors and factory representatives. Other data available for consideration is:

- Latest Microchip Press Releases
- Technical Support Section with Frequently Asked Questions
- Design Tips
- Device Errata
- Job Postings
- Microchip Consultant Program Member Listing
- Links to other useful web sites related to Microchip Products
- Conferences for products, Development Systems, technical information and more
- Listing of seminars and events

# PIC16F87X

---

---

## READER RESPONSE

It is our intention to provide you with the best documentation possible to ensure successful use of your Microchip product. If you wish to provide your comments on organization, clarity, subject matter, and ways in which our documentation can better serve you, please FAX your comments to the Technical Publications Manager at (480) 792-4150.

Please list the following information, and use this outline to provide us with your comments about this Data Sheet.

To: Technical Publications Manager Total Pages Sent  
RE: Reader Response  
From: Name \_\_\_\_\_  
Company \_\_\_\_\_  
Address \_\_\_\_\_  
City / State / ZIP / Country \_\_\_\_\_  
Telephone: (\_\_\_\_) \_\_\_\_\_ - \_\_\_\_\_ FAX: (\_\_\_\_) \_\_\_\_\_ - \_\_\_\_\_

Application (optional):

Would you like a reply? \_\_\_Y \_\_\_N

Device: **PIC16F87X** Literature Number: **DS30292D**

Questions:

1. What are the best features of this document?

---

---

2. How does this document meet your hardware and software development needs?

---

---

3. Do you find the organization of this data sheet easy to follow? If not, why?

---

---

4. What additions to the data sheet do you think would enhance the structure and subject?

---

---

5. What deletions from the data sheet could be made without affecting the overall usefulness?

---

---

6. Is there any incorrect or misleading information (what and where)?

---

---

7. How would you improve this document?

---

---

8. How would you improve our software, systems, and silicon products?

---

---



## PIC16F87X PRODUCT IDENTIFICATION SYSTEM

To order or obtain information, e.g., on pricing or delivery, refer to the factory or the listed sales office.

| <u>PART NO.</u>   | <u>X</u>   | <u>/XX</u> | <u>XXX</u> |
|-------------------|--|------------|------------|
| Device            | Temperature Range  | Package    | Pattern    |
| Device            | PIC16F87X <sup>(1)</sup> , PIC16F87XT <sup>(2)</sup> ; VDD range 4.0V to 5.5V<br>PIC16LF87X <sup>(1)</sup> , PIC16LF87XT <sup>(2)</sup> ; VDD range 2.0V to 5.5V |            |            |
| Frequency Range   | 04 = 4 MHz<br>10 = 10 MHz<br>20 = 20 MHz   |            |            |
| Temperature Range | blank = 0°C to +70°C (Commercial)<br>I = -40°C to +85°C (Industrial)<br>E = -40°C to +125°C (Extended)   |            |            |
| Package           | PQ = MQFP (Metric PQFP)<br>PT = TQFP (Thin Quad Flatpack)<br>SO = SOIC<br>SP = Skinny plastic DIP<br>P = PDIP<br>L = PLCC  |            |            |

**Examples:**

- a) PIC16F877 - 20/P 301 = Commercial temp., PDIP package, 4 MHz, normal VDD limits, QTP pattern #301.
- b) PIC16LF876 - 04I/SO = Industrial temp., SOIC package, 200 kHz, Extended VDD limits.
- c) PIC16F877 - 10E/P = Extended temp., PDIP package, 10MHz, normal VDD limits.

**Note** 1: F = CMOS FLASH  
          LF = Low Power CMOS FLASH  
      2: T = in tape and reel - SOIC, PLCC, MQFP, TQFP packages only.

\* JW Devices are UV erasable and can be programmed to any device configuration. JW Devices meet the electrical requirement of each oscillator type.

## Sales and Support

### Data Sheets

Products supported by a preliminary Data Sheet may have an errata sheet describing minor operational differences and recommended workarounds. To determine if an errata sheet exists for a particular device, please contact one of the following:

1. Your local Microchip sales office
2. The Microchip Worldwide Site ([www.microchip.com](http://www.microchip.com))

Please specify which device, revision of silicon and Data Sheet (include Literature #) you are using.

### New Customer Notification System

Register on our web site ([www.microchip.com/cn](http://www.microchip.com/cn)) to receive the most current information on our products.

# PIC16F87X

---

NOTES:

NOTES:

# PIC16F87X

---

NOTES:

NOTES:

# PIC16F87X

---

NOTES:

NOTES:

# PIC16F87X

---



---

**Note the following details of the code protection feature on Microchip devices:**

- Microchip products meet the specification contained in their particular Microchip Data Sheet.
- Microchip believes that its family of products is one of the most secure families of its kind on the market today, when used in the intended manner and under normal conditions.
- There are dishonest and possibly illegal methods used to breach the code protection feature. All of these methods, to our knowledge, require using the Microchip products in a manner outside the operating specifications contained in Microchip's Data Sheets. Most likely, the person doing so is engaged in theft of intellectual property.
- Microchip is willing to work with the customer who is concerned about the integrity of their code.
- Neither Microchip nor any other semiconductor manufacturer can guarantee the security of their code. Code protection does not mean that we are guaranteeing the product as “unbreakable.”

Code protection is constantly evolving. We at Microchip are committed to continuously improving the code protection features of our products. Attempts to break Microchip's code protection feature may be a violation of the Digital Millennium Copyright Act. If such acts allow unauthorized access to your software or other copyrighted work, you may have a right to sue for relief under that Act.

---

Information contained in this publication regarding device applications and the like is provided only for your convenience and may be superseded by updates. It is your responsibility to ensure that your application meets with your specifications. MICROCHIP MAKES NO REPRESENTATIONS OR WARRANTIES OF ANY KIND WHETHER EXPRESS OR IMPLIED, WRITTEN OR ORAL, STATUTORY OR OTHERWISE, RELATED TO THE INFORMATION, INCLUDING BUT NOT LIMITED TO ITS CONDITION, QUALITY, PERFORMANCE, MERCHANTABILITY OR FITNESS FOR PURPOSE. Microchip disclaims all liability arising from this information and its use. Use of Microchip devices in life support and/or safety applications is entirely at the buyer's risk, and the buyer agrees to defend, indemnify and hold harmless Microchip from any and all damages, claims, suits, or expenses resulting from such use. No licenses are conveyed, implicitly or otherwise, under any Microchip intellectual property rights.

**Trademarks**

The Microchip name and logo, the Microchip logo, dsPIC, FlashFlex, KEELOQ, KEELOQ logo, MPLAB, PIC, PICmicro, PICSTART, PIC<sup>32</sup> logo, rPIC, SST, SST Logo, SuperFlash and UNI/O are registered trademarks of Microchip Technology Incorporated in the U.S.A. and other countries.

FilterLab, Hampshire, HI-TECH C, Linear Active Thermistor, MTP, SEEVAL and The Embedded Control Solutions Company are registered trademarks of Microchip Technology Incorporated in the U.S.A.

Silicon Storage Technology is a registered trademark of Microchip Technology Inc. in other countries.

Analog-for-the-Digital Age, Application Maestro, BodyCom, chipKIT, chipKIT logo, CodeGuard, dsPICDEM, dsPICDEM.net, dsPICworks, dsSPEAK, ECAN, ECONOMONITOR, FanSense, HI-TIDE, In-Circuit Serial Programming, ICSP, Mindi, MiWi, MPASM, MPF, MPLAB Certified logo, MPLIB, MPLINK, mTouch, Omniclient Code Generation, PICC, PICC-18, PICDEM, PICDEM.net, PICkit, PICtail, REAL ICE, rLAB, Select Mode, SQI, Serial Quad I/O, Total Endurance, TSHARC, UniWinDriver, WiperLock, ZENA and Z-Scale are trademarks of Microchip Technology Incorporated in the U.S.A. and other countries.

SQTP is a service mark of Microchip Technology Incorporated in the U.S.A.

GestIC and ULPP are registered trademarks of Microchip Technology Germany II GmbH & Co. & KG, a subsidiary of Microchip Technology Inc., in other countries.

All other trademarks mentioned herein are property of their respective companies.

© 1998-2013, Microchip Technology Incorporated, Printed in the U.S.A., All Rights Reserved.

 Printed on recycled paper.

ISBN: 9781620769294

*Microchip received ISO/TS-16949:2009 certification for its worldwide headquarters, design and wafer fabrication facilities in Chandler and Tempe, Arizona; Gresham, Oregon and design centers in California and India. The Company's quality system processes and procedures are for its PIC<sup>®</sup> MCUs and dsPIC<sup>®</sup> DSCs, KEELOQ<sup>®</sup> code hopping devices, Serial EEPROMs, microperipherals, nonvolatile memory and analog products. In addition, Microchip's quality system for the design and manufacture of development systems is ISO 9001:2000 certified.*

**QUALITY MANAGEMENT SYSTEM  
CERTIFIED BY DNV  
= ISO/TS 16949 =**



# MICROCHIP

## Worldwide Sales and Service

### AMERICAS

**Corporate Office**  
2355 West Chandler Blvd.  
Chandler, AZ 85224-6199  
Tel: 480-792-7200  
Fax: 480-792-7277  
Technical Support:  
<http://www.microchip.com/support>  
Web Address:  
[www.microchip.com](http://www.microchip.com)

**Atlanta**  
Duluth, GA  
Tel: 678-957-9614  
Fax: 678-957-1455

**Boston**  
Westborough, MA  
Tel: 774-760-0087  
Fax: 774-760-0088

**Chicago**  
Itasca, IL  
Tel: 630-285-0071  
Fax: 630-285-0075

**Cleveland**  
Independence, OH  
Tel: 216-447-0464  
Fax: 216-447-0643

**Dallas**  
Addison, TX  
Tel: 972-818-7423  
Fax: 972-818-2924

**Detroit**  
Farmington Hills, MI  
Tel: 248-538-2250  
Fax: 248-538-2260

**Indianapolis**  
Noblesville, IN  
Tel: 317-773-8323  
Fax: 317-773-5453

**Los Angeles**  
Mission Viejo, CA  
Tel: 949-462-9523  
Fax: 949-462-9608

**Santa Clara**  
Santa Clara, CA  
Tel: 408-961-6444  
Fax: 408-961-6445

**Toronto**  
Mississauga, Ontario,  
Canada  
Tel: 905-673-0699  
Fax: 905-673-6509

### ASIA/PACIFIC

**Asia Pacific Office**  
Suites 3707-14, 37th Floor  
Tower 6, The Gateway  
Harbour City, Kowloon  
Hong Kong  
Tel: 852-2401-1200  
Fax: 852-2401-3431

**Australia - Sydney**  
Tel: 61-2-9868-6733  
Fax: 61-2-9868-6755

**China - Beijing**  
Tel: 86-10-8569-7000  
Fax: 86-10-8528-2104

**China - Chengdu**  
Tel: 86-28-8665-5511  
Fax: 86-28-8665-7889

**China - Chongqing**  
Tel: 86-23-8980-9588  
Fax: 86-23-8980-9500

**China - Hangzhou**  
Tel: 86-571-2819-3187  
Fax: 86-571-2819-3189

**China - Hong Kong SAR**  
Tel: 852-2943-5100  
Fax: 852-2401-3431

**China - Nanjing**  
Tel: 86-25-8473-2460  
Fax: 86-25-8473-2470

**China - Qingdao**  
Tel: 86-532-8502-7355  
Fax: 86-532-8502-7205

**China - Shanghai**  
Tel: 86-21-5407-5533  
Fax: 86-21-5407-5066

**China - Shenyang**  
Tel: 86-24-2334-2829  
Fax: 86-24-2334-2393

**China - Shenzhen**  
Tel: 86-755-8864-2200  
Fax: 86-755-8203-1760

**China - Wuhan**  
Tel: 86-27-5980-5300  
Fax: 86-27-5980-5118

**China - Xian**  
Tel: 86-29-8833-7252  
Fax: 86-29-8833-7256

**China - Xiamen**  
Tel: 86-592-2388138  
Fax: 86-592-2388130

**China - Zhuhai**  
Tel: 86-756-3210040  
Fax: 86-756-3210049

### ASIA/PACIFIC

**India - Bangalore**  
Tel: 91-80-3090-4444  
Fax: 91-80-3090-4123

**India - New Delhi**  
Tel: 91-11-4160-8631  
Fax: 91-11-4160-8632

**India - Pune**  
Tel: 91-20-2566-1512  
Fax: 91-20-2566-1513

**Japan - Osaka**  
Tel: 81-6-6152-7160  
Fax: 81-6-6152-9310

**Japan - Tokyo**  
Tel: 81-3-6880-3770  
Fax: 81-3-6880-3771

**Korea - Daegu**  
Tel: 82-53-744-4301  
Fax: 82-53-744-4302

**Korea - Seoul**  
Tel: 82-2-554-7200  
Fax: 82-2-558-5932 or  
82-2-558-5934

**Malaysia - Kuala Lumpur**  
Tel: 60-3-6201-9857  
Fax: 60-3-6201-9859

**Malaysia - Penang**  
Tel: 60-4-227-8870  
Fax: 60-4-227-4068

**Philippines - Manila**  
Tel: 63-2-634-9065  
Fax: 63-2-634-9069

**Singapore**  
Tel: 65-6334-8870  
Fax: 65-6334-8850

**Taiwan - Hsin Chu**  
Tel: 886-3-5778-366  
Fax: 886-3-5770-955

**Taiwan - Kaohsiung**  
Tel: 886-7-213-7828  
Fax: 886-7-330-9305

**Taiwan - Taipei**  
Tel: 886-2-2508-8600  
Fax: 886-2-2508-0102

**Thailand - Bangkok**  
Tel: 66-2-694-1351  
Fax: 66-2-694-1350

### EUROPE

**Austria - Wels**  
Tel: 43-7242-2244-39  
Fax: 43-7242-2244-393

**Denmark - Copenhagen**  
Tel: 45-4450-2828  
Fax: 45-4485-2829

**France - Paris**  
Tel: 33-1-69-53-63-20  
Fax: 33-1-69-30-90-79

**Germany - Munich**  
Tel: 49-89-627-144-0  
Fax: 49-89-627-144-44

**Italy - Milan**  
Tel: 39-0331-742611  
Fax: 39-0331-466781

**Netherlands - Drunen**  
Tel: 31-416-690399  
Fax: 31-416-690340

**Spain - Madrid**  
Tel: 34-91-708-08-90  
Fax: 34-91-708-08-91

**UK - Wokingham**  
Tel: 44-118-921-5869  
Fax: 44-118-921-5820

11/29/12

Компания «Океан Электроники» предлагает заключение долгосрочных отношений при поставках импортных электронных компонентов на взаимовыгодных условиях!

Наши преимущества:

- Поставка оригинальных импортных электронных компонентов напрямую с производств Америки, Европы и Азии, а так же с крупнейших складов мира;
- Широкая линейка поставок активных и пассивных импортных электронных компонентов (более 30 млн. наименований);
- Поставка сложных, дефицитных, либо снятых с производства позиций;
- Оперативные сроки поставки под заказ (от 5 рабочих дней);
- Экспресс доставка в любую точку России;
- Помощь Конструкторского Отдела и консультации квалифицированных инженеров;
- Техническая поддержка проекта, помощь в подборе аналогов, поставка прототипов;
- Поставка электронных компонентов под контролем ВП;
- Система менеджмента качества сертифицирована по Международному стандарту ISO 9001;
- При необходимости вся продукция военного и аэрокосмического назначения проходит испытания и сертификацию в лаборатории (по согласованию с заказчиком);
- Поставка специализированных компонентов военного и аэрокосмического уровня качества (Xilinx, Altera, Analog Devices, Intersil, Interpoint, Microsemi, Actel, Aeroflex, Peregrine, VPT, Syfer, Eurofarad, Texas Instruments, MS Kennedy, Miteq, Cobham, E2V, MA-COM, Hittite, Mini-Circuits, General Dynamics и др.);

Компания «Океан Электроники» является официальным дистрибьютором и эксклюзивным представителем в России одного из крупнейших производителей разъемов военного и аэрокосмического назначения «JONHON», а так же официальным дистрибьютором и эксклюзивным представителем в России производителя высокотехнологичных и надежных решений для передачи СВЧ сигналов «FORSTAR».



## JONHON

«JONHON» (основан в 1970 г.)

Разъемы специального, военного и аэрокосмического назначения:

(Применяются в военной, авиационной, аэрокосмической, морской, железнодорожной, горно- и нефтедобывающей отраслях промышленности)

«FORSTAR» (основан в 1998 г.)

ВЧ соединители, коаксиальные кабели, кабельные сборки и микроволновые компоненты:

(Применяются в телекоммуникациях гражданского и специального назначения, в средствах связи, РЛС, а так же военной, авиационной и аэрокосмической отраслях промышленности).



Телефон: 8 (812) 309-75-97 (многоканальный)

Факс: 8 (812) 320-03-32

Электронная почта: [ocean@oceanchips.ru](mailto:ocean@oceanchips.ru)

Web: <http://oceanchips.ru/>

Адрес: 198099, г. Санкт-Петербург, ул. Калинина, д. 2, корп. 4, лит. А