

# 2-Mbit (64K × 32) Pipelined Sync SRAM

## Features

- Registered inputs and outputs for pipelined operation
- 64K × 32 common I/O architecture
- 3.3 V core power supply
- 2.5 V/3.3 V I/O operation
- Fast clock-to-output times
  - 4.0 ns (for 133 MHz device)
- Provide high-performance 3-1-1-1 access rate
- User-selectable burst counter supporting Intel® Pentium® interleaved or linear burst sequences
- Separate processor and controller address strobes
- Synchronous self-timed write
- Asynchronous output enable
- Offered in JEDEC-standard lead-free 100-pin TQFP package
- “ZZ” Sleep Mode Option

## Functional Description

The CY7C1329H SRAM integrates 64K × 32 SRAM cells with advanced synchronous peripheral circuitry and a two-bit counter

for internal burst operation. All synchronous inputs are gated by registers controlled by a positive-edge-triggered Clock Input (CLK). The synchronous inputs include all addresses, all data inputs, address-pipelining Chip Enable ( $\overline{CE}_1$ ), depth-expansion Chip Enables ( $\overline{CE}_2$  and  $\overline{CE}_3$ ), Burst Control inputs (ADSC, ADSP, and ADV), Write Enables ( $BW_{[A:D]}$  and BWE), and Global Write (GW). Asynchronous inputs include the Output Enable ( $\overline{OE}$ ) and the ZZ pin.

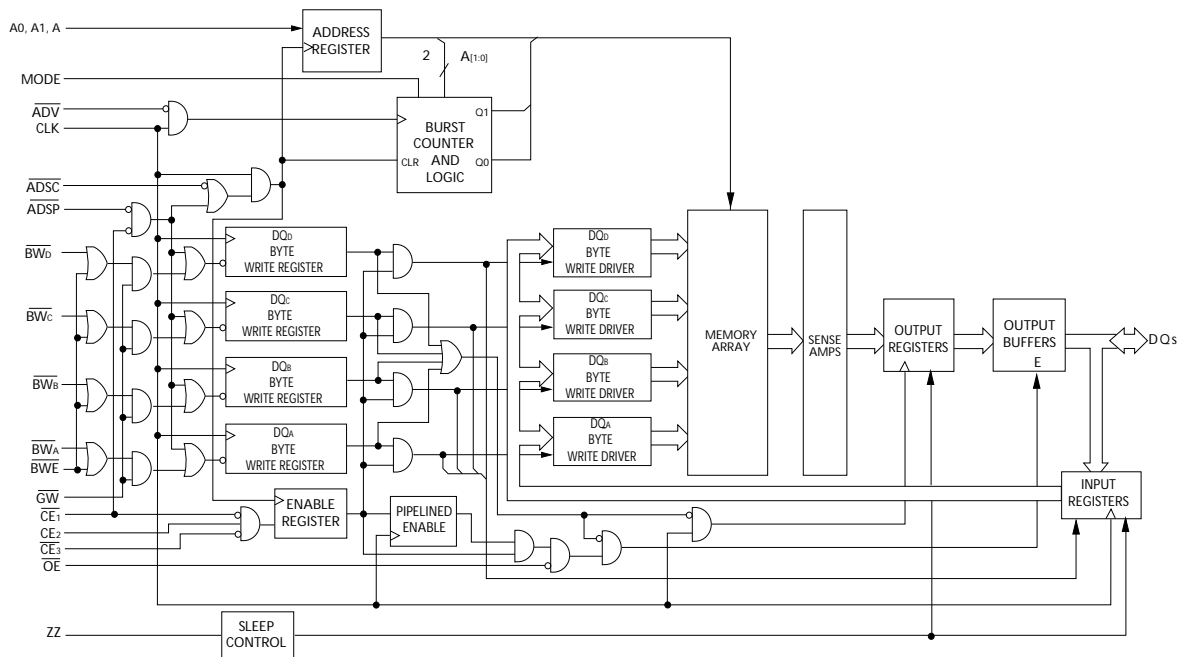
Addresses and chip enables are registered at rising edge of clock when either Address Strobe Processor (ADSP) or Address Strobe Controller (ADSC) are active. Subsequent burst addresses can be internally generated as controlled by the Advance pin (ADV).

Address, data inputs, and write controls are registered on-chip to initiate a self-timed Write cycle. This part supports Byte Write operations (see Pin Definitions on page 4 and Truth Table on page 7 for further details). Write cycles can be one to four bytes wide as controlled by the Byte Write control inputs. GW when active LOW causes all bytes to be written.

The CY7C1329H operates from a +3.3 V core power supply while all outputs operate with either a +2.5 V or +3.3 V supply. All inputs and outputs are JEDEC-standard JESD8-5-compatible.

For a complete list of related documentation, click [here](#).

## Logic Block Diagram



## Contents

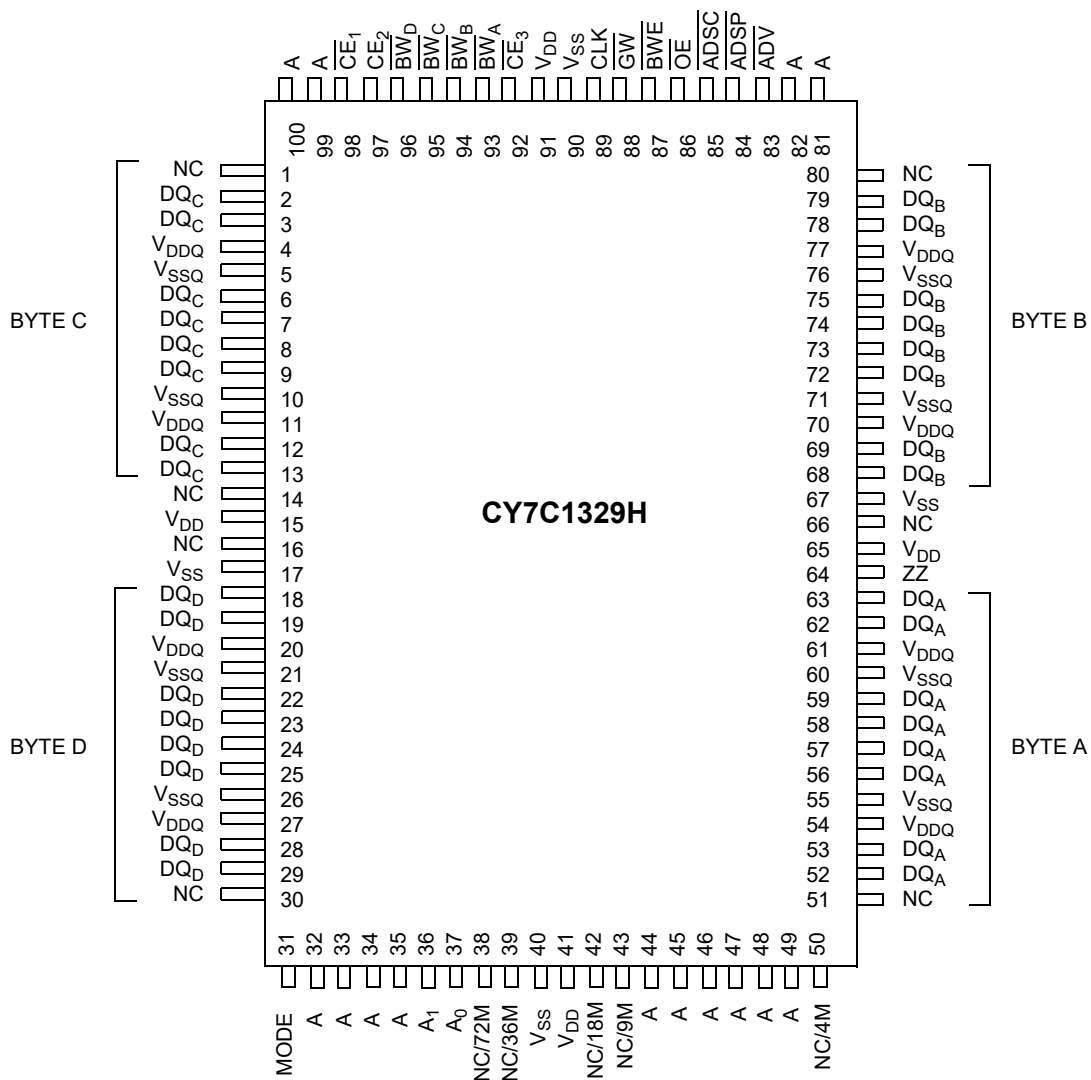
|   |           |  |           |
|---|-----------|--|-----------|
| <b>Selection Guide</b> .....                  | <b>3</b>  | <b>Thermal Resistance</b> .....                      | <b>10</b> |
| <b>Pin Configurations</b> .....               | <b>3</b>  | <b>AC Test Loads and Waveforms</b> .....             | <b>10</b> |
| <b>Pin Definitions</b> .....                  | <b>4</b>  | <b>Switching Characteristics</b> .....               | <b>11</b> |
| <b>Functional Overview</b> .....              | <b>5</b>  | <b>Switching Waveforms</b> .....                     | <b>12</b> |
| Single Read Accesses .....                    | 5         | <b>Ordering Information</b> .....                    | <b>16</b> |
| Single Write Accesses Initiated by ADSP ..... | 5         | Ordering Code Definitions .....                      | 16        |
| Single Write Accesses Initiated by ADSC ..... | 5         | <b>Package Diagram</b> .....                         | <b>17</b> |
| Burst Sequences .....                         | 5         | <b>Acronyms</b> .....                                | <b>18</b> |
| Sleep Mode .....                              | 5         | <b>Document Conventions</b> .....                    | <b>18</b> |
| Interleaved Burst Address Table .....         | 6         | Units of Measure .....                               | 18        |
| Linear Burst Address Table .....              | 6         | <b>Document History Page</b> .....                   | <b>19</b> |
| ZZ Mode Electrical Characteristics .....      | 6         | <b>Sales, Solutions, and Legal Information</b> ..... | <b>21</b> |
| <b>Truth Table</b> .....                      | <b>7</b>  | Worldwide Sales and Design Support .....             | 21        |
| <b>Truth Table for Read/Write</b> .....       | <b>8</b>  | Products .....                                       | 21        |
| <b>Maximum Ratings</b> .....                  | <b>9</b>  | PSoC® Solutions .....                                | 21        |
| <b>Operating Range</b> .....                  | <b>9</b>  | Cypress Developer Community .....                    | 21        |
| <b>Electrical Characteristics</b> .....       | <b>9</b>  | Technical Support .....                              | 21        |
| <b>Capacitance</b> .....                      | <b>10</b> |  |           |

### Selection Guide

| Description                  | 133 MHz | Unit |
|------------------------------|---------|------|
| Maximum Access Time          | 4.0     | ns   |
| Maximum Operating Current    | 225     | mA   |
| Maximum CMOS Standby Current | 40      | mA   |

### Pin Configurations

Figure 1. 100-pin TQFP (14 × 20 × 1.4 mm) pinout



## Pin Definitions

| Name   | I/O                | Description  |
|--|--------------------|--|
| A <sub>0</sub> , A <sub>1</sub> , A  | Input-Synchronous  | <b>Address Inputs used to select one of the 64K address locations.</b> Sampled at the rising edge of the CLK if ADSP or ADSC is active LOW, and $\overline{CE}_1$ , CE <sub>2</sub> , and $\overline{CE}_3$ are sampled active. A1:A0 feed the 2-bit counter.  |
| $\overline{BW}_A$ , $\overline{BW}_B$ ,<br>$\overline{BW}_C$ , $\overline{BW}_D$ | Input-Synchronous  | <b>Byte Write Select Inputs, active LOW.</b> Qualified with $\overline{BWE}$ to conduct Byte Writes to the SRAM. Sampled on the rising edge of CLK.  |
| GW   | Input-Synchronous  | <b>Global Write Enable Input, active LOW.</b> When asserted LOW on the rising edge of CLK, a global Write is conducted (All bytes are written, regardless of the values on $\overline{BW}_{[A:D]}$ and $\overline{BWE}$ ).   |
| $\overline{BWE}$   | Input-Synchronous  | <b>Byte Write Enable Input, active LOW.</b> Sampled on the rising edge of CLK. This signal must be asserted LOW to conduct a Byte Write.   |
| CLK  | Input-Clock        | <b>Clock Input.</b> Used to capture all synchronous inputs to the device. Also used to increment the burst counter when ADV is asserted LOW, during a burst operation.   |
| $\overline{CE}_1$  | Input-Synchronous  | <b>Chip Enable 1 Input, active LOW.</b> Sampled on the rising edge of CLK. Used in conjunction with CE <sub>2</sub> and $\overline{CE}_3$ to select/deselect the device. ADSP is ignored if $\overline{CE}_1$ is HIGH. $\overline{CE}_1$ is sampled only when a new external address is loaded.  |
| CE <sub>2</sub>  | Input-Synchronous  | <b>Chip Enable 2 Input, active HIGH.</b> Sampled on the rising edge of CLK. Used in conjunction with $\overline{CE}_1$ and $\overline{CE}_3$ to select/deselect the device. CE <sub>2</sub> is sampled only when a new external address is loaded.   |
| $\overline{CE}_3$  | Input-Synchronous  | <b>Chip Enable 3 Input, active LOW.</b> Sampled on the rising edge of CLK. Used in conjunction with $\overline{CE}_1$ and CE <sub>2</sub> to select/deselect the device. $\overline{CE}_3$ is sampled only when a new external address is loaded.  |
| $\overline{OE}$  | Input-Asynchronous | <b>Output Enable, asynchronous input, active LOW.</b> Controls the direction of the I/O pins. When LOW, the I/O pins behave as outputs. When deasserted HIGH, I/O pins are tri-stated, and act as input data pins. $\overline{OE}$ is masked during the first clock of a Read cycle when emerging from a deselected state.   |
| ADV  | Input-Synchronous  | <b>Advance Input signal, sampled on the rising edge of CLK, active LOW.</b> When asserted, it automatically increments the address in a burst cycle.   |
| ADSP   | Input-Synchronous  | <b>Address Strobe from Processor, sampled on the rising edge of CLK, active LOW.</b> When asserted LOW, A is captured in the address registers. A1:A0 are also loaded into the burst counter. When ADSP and ADSC are both asserted, only ADSP is recognized. ADSP is ignored when $\overline{CE}_1$ is deasserted HIGH.  |
| ADSC   | Input-Synchronous  | <b>Address Strobe from Controller, sampled on the rising edge of CLK, active LOW.</b> When asserted LOW, A is captured in the address registers. A1:A0 are also loaded into the burst counter. When ADSP and ADSC are both asserted, only ADSP is recognized.  |
| ZZ   | Input-Asynchronous | <b>ZZ “sleep” Input, active HIGH.</b> This input, when HIGH places the device in a non-time-critical “sleep” condition with data integrity preserved. For normal operation, this pin has to be LOW or left floating. ZZ pin has an internal pull-down.   |
| DQ <sub>A</sub> , DQ <sub>B</sub> ,<br>DQ <sub>C</sub> , DQ <sub>D</sub>         | I/O-Synchronous    | <b>Bidirectional Data I/O lines.</b> As inputs, they feed into an on-chip data register that is triggered by the rising edge of CLK. As outputs, they deliver the data contained in the memory location specified by “A” during the previous clock rise of the Read cycle. The direction of the pins is controlled by $\overline{OE}$ . When $\overline{OE}$ is asserted LOW, the pins behave as outputs. When HIGH, DQ are placed in a tri-state condition. |
| V <sub>DD</sub>  | Power Supply       | <b>Power supply inputs to the core of the device.</b>  |
| V <sub>SS</sub>  | Ground             | <b>Ground for the core of the device.</b>  |
| V <sub>DDQ</sub>   | I/O Power Supply   | <b>Power supply for the I/O circuitry.</b>   |
| V <sub>SSQ</sub>   | I/O Ground         | <b>Ground for the I/O circuitry.</b>   |
| MODE   | Input-Static       | <b>Selects Burst Order.</b> When tied to GND selects linear burst sequence. When tied to V <sub>DD</sub> or left floating selects interleaved burst sequence. This is a strap pin and should remain static during device operation. Mode Pin has an internal pull-up.  |
| NC   | –                  | <b>No Connects.</b> Not internally connected to the die. 4M, 9M, 18M, 72M, 144M, 288M, 576M and 1G are address expansion pins and are not internally connected to the die.   |

## Functional Overview

All synchronous inputs pass through input registers controlled by the rising edge of the clock. All data outputs pass through output registers controlled by the rising edge of the clock.

The CY7C1329H supports secondary cache in systems utilizing either a linear or interleaved burst sequence. The interleaved burst order supports Pentium and i486™ processors. The linear burst sequence is suited for processors that utilize a linear burst sequence. The burst order is user selectable, and is determined by sampling the MODE input. Accesses can be initiated with either the Processor Address Strobe (ADSP) or the Controller Address Strobe (ADSC). Address advancement through the burst sequence is controlled by the ADV input. A two-bit on-chip wraparound burst counter captures the first address in a burst sequence and automatically increments the address for the rest of the burst access.

Byte Write operations are qualified with the Byte Write Enable (BWE) and Byte Write Select ( $\overline{BW}_{[A:D]}$ ) inputs. A Global Write Enable (GW) overrides all Byte Write inputs and writes data to all four bytes. All Writes are simplified with on-chip synchronous self-timed Write circuitry.

Three synchronous Chip Selects ( $\overline{CE}_1$ ,  $CE_2$ ,  $\overline{CE}_3$ ) and an asynchronous Output Enable ( $\overline{OE}$ ) provide for easy bank selection and output tri-state control. ADSP is ignored if  $CE_1$  is HIGH.

### Single Read Accesses

This access is initiated when the following conditions are satisfied at clock rise: (1) ADSP or ADSC is asserted LOW, (2)  $CE_1$ ,  $CE_2$ ,  $CE_3$  are all asserted active, and (3) the Write signals (GW, BWE) are all deasserted HIGH. ADSP is ignored if  $CE_1$  is HIGH. The address presented to the address inputs (A) is stored into the address advancement logic and the address register while being presented to the memory array. The corresponding data is allowed to propagate to the input of the output registers. At the rising edge of the next clock the data is allowed to propagate through the output register and onto the data bus within  $t_{CO}$  if  $\overline{OE}$  is active LOW. The only exception occurs when the SRAM is emerging from a deselected state to a selected state, its outputs are always tri-stated during the first cycle of the access. After the first cycle of the access, the outputs are controlled by the  $\overline{OE}$  signal. Consecutive single Read cycles are supported. Once the SRAM is deselected at clock rise by the chip select and either ADSP or ADSC signals, its output will tri-state immediately.

### Single Write Accesses Initiated by ADSP

This access is initiated when both of the following conditions are satisfied at clock rise: (1) ADSP is asserted LOW, and (2)  $CE_1$ ,  $CE_2$ ,  $CE_3$  are all asserted active. The address presented to A is loaded into the address register and the address advancement logic while being delivered to the RAM array. The Write signals (GW, BWE, and  $\overline{BW}_{[A:D]}$ ) and ADV inputs are ignored during this first cycle.

ADSP-triggered Write accesses require two clock cycles to complete. If GW is asserted LOW on the second clock rise, the data presented to the DQ inputs is written into the corresponding address location in the memory array. If GW is HIGH, then the

Write operation is controlled by  $\overline{BWE}$  and  $\overline{BW}_{[A:D]}$  signals. The CY7C1329H provides Byte Write capability that is described in the Write Cycle Descriptions table. Asserting the Byte Write Enable input ( $\overline{BWE}$ ) with the selected Byte Write ( $\overline{BW}_{[A:D]}$ ) input, will selectively write to only the desired bytes. Bytes not selected during a Byte Write operation will remain unaltered. A synchronous self-timed Write mechanism has been provided to simplify the Write operations.

Because the CY7C1329H is a common I/O device, the Output Enable ( $\overline{OE}$ ) must be deasserted HIGH before presenting data to the DQ inputs. Doing so will tri-state the output drivers. As a safety precaution, DQs are automatically tri-stated whenever a Write cycle is detected, regardless of the state of  $\overline{OE}$ .

### Single Write Accesses Initiated by ADSC

ADSC Write accesses are initiated when the following conditions are satisfied: (1) ADSC is asserted LOW, (2) ADSP is deasserted HIGH, (3)  $CE_1$ ,  $CE_2$ ,  $CE_3$  are all asserted active, and (4) the appropriate combination of the Write inputs (GW, BWE, and  $\overline{BW}_{[A:D]}$ ) are asserted active to conduct a Write to the desired byte(s). ADSC-triggered Write accesses require a single clock cycle to complete. The address presented to A is loaded into the address register and the address advancement logic while being delivered to the memory array. The ADV input is ignored during this cycle. If a global Write is conducted, the data presented to DQ is written into the corresponding address location in the memory core. If a Byte Write is conducted, only the selected bytes are written. Bytes not selected during a Byte Write operation will remain unaltered. A synchronous self-timed Write mechanism has been provided to simplify the Write operations.

Because the CY7C1329H is a common I/O device, the Output Enable ( $\overline{OE}$ ) must be deasserted HIGH before presenting data to the DQ inputs. Doing so will tri-state the output drivers. As a safety precaution, DQs are automatically tri-stated whenever a Write cycle is detected, regardless of the state of  $\overline{OE}$ .

### Burst Sequences

The CY7C1329H provides a two-bit wraparound counter, fed by A1:A0, that implements either an interleaved or linear burst sequence. The interleaved burst sequence is designed specifically to support Intel Pentium applications. The linear burst sequence is designed to support processors that follow a linear burst sequence. The burst sequence is user selectable through the MODE input. Asserting ADV LOW at clock rise will automatically increment the burst counter to the next address in the burst sequence. Both Read and Write burst operations are supported.

### Sleep Mode

The ZZ input pin is an asynchronous input. Asserting ZZ places the SRAM in a power conservation "sleep" mode. Two clock cycles are required to enter into or exit from this "sleep" mode. While in this mode, data integrity is guaranteed. Accesses pending when entering the "sleep" mode are not considered valid nor is the completion of the operation guaranteed. The device must be deselected prior to entering the "sleep" mode.  $CE_1$ ,  $CE_2$ ,  $CE_3$ , ADSP, and ADSC must remain inactive for the duration of  $t_{ZZREC}$  after the ZZ input returns LOW.

**Interleaved Burst Address Table**

 (MODE = Floating or  $V_{DD}$ )

| First Address A1:A0 | Second Address A1:A0 | Third Address A1:A0 | Fourth Address A1:A0 |
|---------------------|----------------------|---------------------|----------------------|
| 00                  | 01                   | 10                  | 11                   |
| 01                  | 00                   | 11                  | 10                   |
| 10                  | 11                   | 00                  | 01                   |
| 11                  | 10                   | 01                  | 00                   |

**Linear Burst Address Table**

(MODE = GND)

| First Address A1:A0 | Second Address A1:A0 | Third Address A1:A0 | Fourth Address A1:A0 |
|---------------------|----------------------|---------------------|----------------------|
| 00                  | 01                   | 10                  | 11                   |
| 01                  | 10                   | 11                  | 00                   |
| 10                  | 11                   | 00                  | 01                   |
| 11                  | 00                   | 01                  | 10                   |

**ZZ Mode Electrical Characteristics**

| Parameter   | Description                       | Test Conditions           | Min        | Max        | Unit |
|-------------|-----------------------------------|---------------------------|------------|------------|------|
| $I_{DDZZ}$  | Sleep mode standby current        | $ZZ \geq V_{DD} - 0.2 V$  | –          | 40         | mA   |
| $t_{ZZS}$   | Device operation to ZZ            | $ZZ \geq V_{DD} - 0.2 V$  | –          | $2t_{CYC}$ | ns   |
| $t_{ZZREC}$ | ZZ recovery time                  | $ZZ \leq 0.2 V$           | $2t_{CYC}$ | –          | ns   |
| $t_{ZZI}$   | ZZ Active to sleep current        | This parameter is sampled | –          | $2t_{CYC}$ | ns   |
| $t_{RZZI}$  | ZZ Inactive to exit sleep current | This parameter is sampled | 0          | –          | ns   |

### Truth Table

The Truth Table for part CY7C1329H is as follows. [1, 2, 3, 4, 5, 6]

| Next Cycle                  | Add. Used | $\overline{CE}_1$ | $CE_2$ | $\overline{CE}_3$ | ZZ | $\overline{ADSP}$ | $\overline{ADSC}$ | $\overline{ADV}$ | $\overline{WRITE}$ | $\overline{OE}$ | CLK | DQ       |
|-----------------------------|-----------|-------------------|--------|-------------------|----|-------------------|-------------------|------------------|--------------------|-----------------|-----|----------|
| Deselect cycle, power-down  | None      | H                 | X      | X                 | L  | X                 | L                 | X                | X                  | X               | L-H | Tristate |
| Deselect cycle, power-down  | None      | L                 | L      | X                 | L  | L                 | X                 | X                | X                  | X               | L-H | Tristate |
| Deselect cycle, power-down  | None      | L                 | X      | H                 | L  | L                 | X                 | X                | X                  | X               | L-H | Tristate |
| Deselect cycle, power-down  | None      | L                 | L      | X                 | L  | H                 | L                 | X                | X                  | X               | L-H | Tristate |
| Deselect cycle, power-down  | None      | L                 | X      | H                 | L  | H                 | L                 | X                | X                  | X               | L-H | Tristate |
| Snooze mode, power-down     | None      | X                 | X      | X                 | H  | X                 | X                 | X                | X                  | X               | X   | Tristate |
| Read Cycle, Begin Burst     | External  | L                 | H      | L                 | L  | L                 | X                 | X                | X                  | L               | L-H | Q        |
| Read Cycle, Begin Burst     | External  | L                 | H      | L                 | L  | L                 | X                 | X                | X                  | H               | L-H | Tristate |
| Write Cycle, Begin Burst    | External  | L                 | H      | L                 | L  | H                 | L                 | X                | L                  | X               | L-H | D        |
| Read Cycle, Begin Burst     | External  | L                 | H      | L                 | L  | H                 | L                 | X                | H                  | L               | L-H | Q        |
| Read Cycle, Begin Burst     | External  | L                 | H      | L                 | L  | H                 | L                 | X                | H                  | H               | L-H | Tristate |
| Read Cycle, Continue Burst  | Next      | X                 | X      | X                 | L  | H                 | H                 | L                | H                  | H               | L-H | Tristate |
| Read Cycle, Continue Burst  | Next      | X                 | X      | X                 | L  | H                 | H                 | L                | H                  | L               | L-H | Q        |
| Read Cycle, Continue Burst  | Next      | H                 | X      | X                 | L  | X                 | H                 | L                | H                  | L               | L-H | Q        |
| Read Cycle, Continue Burst  | Next      | H                 | X      | X                 | L  | X                 | H                 | L                | H                  | H               | L-H | Tristate |
| Write cycle, continue burst | Next      | X                 | X      | X                 | L  | H                 | H                 | L                | L                  | X               | L-H | D        |
| Write cycle, continue burst | Next      | H                 | X      | X                 | L  | X                 | H                 | L                | L                  | X               | L-H | D        |
| Read cycle, suspend burst   | Current   | X                 | X      | X                 | L  | H                 | H                 | H                | H                  | L               | L-H | Q        |
| Read cycle, suspend burst   | Current   | X                 | X      | X                 | L  | H                 | H                 | H                | H                  | H               | L-H | Tristate |
| Read cycle, suspend burst   | Current   | H                 | X      | X                 | L  | X                 | H                 | H                | H                  | L               | L-H | Q        |
| Read cycle, suspend burst   | Current   | H                 | X      | X                 | L  | X                 | H                 | H                | H                  | H               | L-H | Tristate |
| Write cycle, suspend burst  | Current   | X                 | X      | X                 | L  | H                 | H                 | H                | L                  | X               | L-H | D        |
| Write cycle, suspend burst  | Current   | H                 | X      | X                 | L  | X                 | H                 | H                | L                  | X               | L-H | D        |

**Notes**

1. X = "Don't Care." H = Logic HIGH, L = Logic LOW.
2.  $\overline{WRITE} = L$  when any one or more Byte Write Enable signals ( $\overline{BW}_A, \overline{BW}_B, \overline{BW}_C, \overline{BW}_D$ ) and  $\overline{BWE} = L$  or  $\overline{GW} = L$ .  $\overline{WRITE} = H$  when all Byte Write Enable signals ( $\overline{BW}_A, \overline{BW}_B, \overline{BW}_C, \overline{BW}_D$ ),  $\overline{BWE}$ ,  $\overline{GW} = H$ .
3. The DQ pins are controlled by the current cycle and the  $\overline{OE}$  signal.  $\overline{OE}$  is asynchronous and is not sampled with the clock.
4.  $\overline{CE}_1, \overline{CE}_2$ , and  $\overline{CE}_3$  are available only in the TQFP package.
5. The SRAM always initiates a read cycle when  $\overline{ADSP}$  is asserted, regardless of the state of  $\overline{GW}, \overline{BWE}$ , or  $\overline{BW}_{[A,D]}$ . Writes may occur only on subsequent clocks after the  $\overline{ADSP}$  or with the assertion of  $\overline{ADSC}$ . As a result,  $\overline{OE}$  must be driven HIGH prior to the start of the Write cycle to allow the outputs to Tri-State.  $\overline{OE}$  is a don't care for the remainder of the Write cycle.
6.  $\overline{OE}$  is asynchronous and is not sampled with the clock rise. It is masked internally during Write cycles. During a Read cycle all data bits are Tri-State when  $\overline{OE}$  is inactive or when the device is deselected, and all data bits behave as output when  $\overline{OE}$  is active (LOW).

### Truth Table for Read/Write

The Truth Table for read or write for part CY7C1329H is as follows. [7, 8]

| Function                       | $\overline{GW}$ | $\overline{BWE}$ | $\overline{BW}_D$ | $\overline{BW}_C$ | $\overline{BW}_B$ | $\overline{BW}_A$ |
|--------------------------------|-----------------|------------------|-------------------|-------------------|-------------------|-------------------|
| Read                           | H               | H                | X                 | X                 | X                 | X                 |
| Read                           | H               | L                | H                 | H                 | H                 | H                 |
| Write Byte A – DQ <sub>A</sub> | H               | L                | H                 | H                 | H                 | L                 |
| Write Byte B – DQ <sub>B</sub> | H               | L                | H                 | H                 | L                 | H                 |
| Write Bytes B, A               | H               | L                | H                 | H                 | L                 | L                 |
| Write Byte C – DQ <sub>C</sub> | H               | L                | H                 | L                 | H                 | H                 |
| Write Bytes C, A               | H               | L                | H                 | L                 | H                 | L                 |
| Write Bytes C, B               | H               | L                | H                 | L                 | L                 | H                 |
| Write Bytes C, B, A            | H               | L                | H                 | L                 | L                 | L                 |
| Write Byte D – DQ <sub>D</sub> | H               | L                | L                 | H                 | H                 | H                 |
| Write Bytes D, A               | H               | L                | L                 | H                 | H                 | L                 |
| Write Bytes D, B               | H               | L                | L                 | H                 | L                 | H                 |
| Write Bytes D, B, A            | H               | L                | L                 | H                 | L                 | L                 |
| Write Bytes D, C               | H               | L                | L                 | L                 | H                 | H                 |
| Write Bytes D, C, A            | H               | L                | L                 | L                 | H                 | L                 |
| Write Bytes D, C, B            | H               | L                | L                 | L                 | L                 | H                 |
| Write All Bytes                | H               | L                | L                 | L                 | L                 | L                 |
| Write All Bytes                | L               | X                | X                 | X                 | X                 | X                 |

**Notes**

7. X = "Don't Care." H = Logic HIGH, L = Logic LOW.

8.  $\overline{WRITE} = L$  when any one or more Byte Write Enable signals ( $\overline{BW}_A$ ,  $\overline{BW}_B$ ,  $\overline{BW}_C$ ,  $\overline{BW}_D$ ) and  $\overline{BWE} = L$  or  $\overline{GW} = L$ .  $\overline{WRITE} = H$  when all Byte Write Enable signals ( $\overline{BW}_A$ ,  $\overline{BW}_B$ ,  $\overline{BW}_C$ ,  $\overline{BW}_D$ ),  $\overline{BWE}$ ,  $\overline{GW} = H$ .



## Maximum Ratings

Exceeding maximum ratings may shorten the useful life of the device. User guidelines are not tested.

|  |                                    |
|--|------------------------------------|
| Storage Temperature .....                                | -65 °C to +150 °C                  |
| Ambient Temperature with Power Applied .....             | -55 °C to +125 °C                  |
| Supply Voltage on V <sub>DD</sub> Relative to GND .....  | -0.5 V to +4.6 V                   |
| Supply Voltage on V <sub>DDQ</sub> Relative to GND ..... | -0.5 V to +V <sub>DD</sub>         |
| DC Voltage Applied to Outputs in Tri-State .....         | -0.5 V to V <sub>DDQ</sub> + 0.5 V |

|   |                                   |
|---|-----------------------------------|
| DC Input Voltage .....  | -0.5 V to V <sub>DD</sub> + 0.5 V |
| Current into Outputs (LOW) .....                              | 20 mA                             |
| Static Discharge Voltage (per MIL-STD-883, Method 3015) ..... | > 2001 V                          |
| Latch-up Current .....  | > 200 mA                          |

## Operating Range

| Range      | Ambient Temperature | V <sub>DD</sub>    | V <sub>DDQ</sub>              |
|------------|---------------------|--------------------|-------------------------------|
| Commercial | 0 °C to +70 °C      | 3.3 V – 5% / + 10% | 2.5 V – 5% to V <sub>DD</sub> |

## Electrical Characteristics

Over the Operating Range

| Parameter <sup>[9, 10]</sup> | Description                                   | Test Conditions  | Min   | Max                     | Unit |
|------------------------------|---|--|-------|-------------------------|------|
| V <sub>DD</sub>              | Power Supply Voltage                          |  | 3.135 | 3.6                     | V    |
| V <sub>DDQ</sub>             | I/O Supply Voltage                            | for 3.3 V I/O  | 3.135 | V <sub>DD</sub>         | V    |
|                              |   | for 2.5 V I/O  | 2.375 | 2.625                   | V    |
| V <sub>OH</sub>              | Output HIGH Voltage                           | for 3.3 V I/O, I <sub>OH</sub> = -4.0 mA   | 2.4   | -                       | V    |
|                              |   | for 2.5 V I/O, I <sub>OH</sub> = -1.0 mA   | 2.0   | -                       | V    |
| V <sub>OL</sub>              | Output LOW Voltage                            | for 3.3 V I/O, I <sub>OL</sub> = 8.0 mA  | -     | 0.4                     | V    |
|                              |   | for 2.5 V I/O, I <sub>OL</sub> = 1.0 mA  | -     | 0.4                     | V    |
| V <sub>IH</sub>              | Input HIGH Voltage <sup>[9]</sup>             | for 3.3 V I/O  | 2.0   | V <sub>DD</sub> + 0.3 V | V    |
|                              |   | for 2.5 V I/O  | 1.7   | V <sub>DD</sub> + 0.3 V | V    |
| V <sub>IL</sub>              | Input LOW Voltage <sup>[9]</sup>              | for 3.3 V I/O  | -0.3  | 0.8                     | V    |
|                              |   | for 2.5 V I/O  | -0.3  | 0.7                     | V    |
| I <sub>X</sub>               | Input Leakage Current except ZZ and MODE      | GND ≤ V <sub>I</sub> ≤ V <sub>DDQ</sub>  | -5    | 5                       | μA   |
|                              | Input Current of MODE                         | Input = V <sub>SS</sub>  | -30   | -                       | μA   |
|                              |   | Input = V <sub>DD</sub>  | -     | 5                       | μA   |
|                              | Input Current of ZZ                           | Input = V <sub>SS</sub>  | -5    | -                       | μA   |
| Input = V <sub>DD</sub>      |   | -  | 30    | μA                      |      |
| I <sub>OZ</sub>              | Output Leakage Current                        | GND ≤ V <sub>I</sub> ≤ V <sub>DDQ</sub> , Output Disabled  | -5    | 5                       | μA   |
| I <sub>DD</sub>              | V <sub>DD</sub> Operating Supply Current      | V <sub>DD</sub> = Max, I <sub>OUT</sub> = 0 mA, f = f <sub>MAX</sub> = 1/t <sub>CYC</sub>  | -     | 225                     | mA   |
| I <sub>SB1</sub>             | Automatic CS Power-down Current – TTL Inputs  | V <sub>DD</sub> = Max, Device Deselected, V <sub>IN</sub> ≥ V <sub>IH</sub> or V <sub>IN</sub> ≤ V <sub>IL</sub> , f = f <sub>MAX</sub> = 1/t <sub>CYC</sub> | -     | 90                      | mA   |
| I <sub>SB2</sub>             | Automatic CS Power-down Current – CMOS Inputs | V <sub>DD</sub> = Max, Device Deselected, V <sub>IN</sub> ≤ 0.3 V or V <sub>IN</sub> ≥ V <sub>DDQ</sub> - 0.3 V, f = 0                                       | -     | 40                      | mA   |

### Notes

- Overshoot: V<sub>IH(AC)</sub> < V<sub>DD</sub> + 1.5 V (Pulse width less than t<sub>CYC</sub>/2), undershoot: V<sub>IL(AC)</sub> > -2 V (Pulse width less than t<sub>CYC</sub>/2).
- T<sub>Power-up</sub>: Assumes a linear ramp from 0 V to V<sub>DD(min)</sub> within 200 ms. During this time V<sub>IH</sub> < V<sub>DD</sub> and V<sub>DDQ</sub> ≤ V<sub>DD</sub>.

**Electrical Characteristics** (continued)

Over the Operating Range

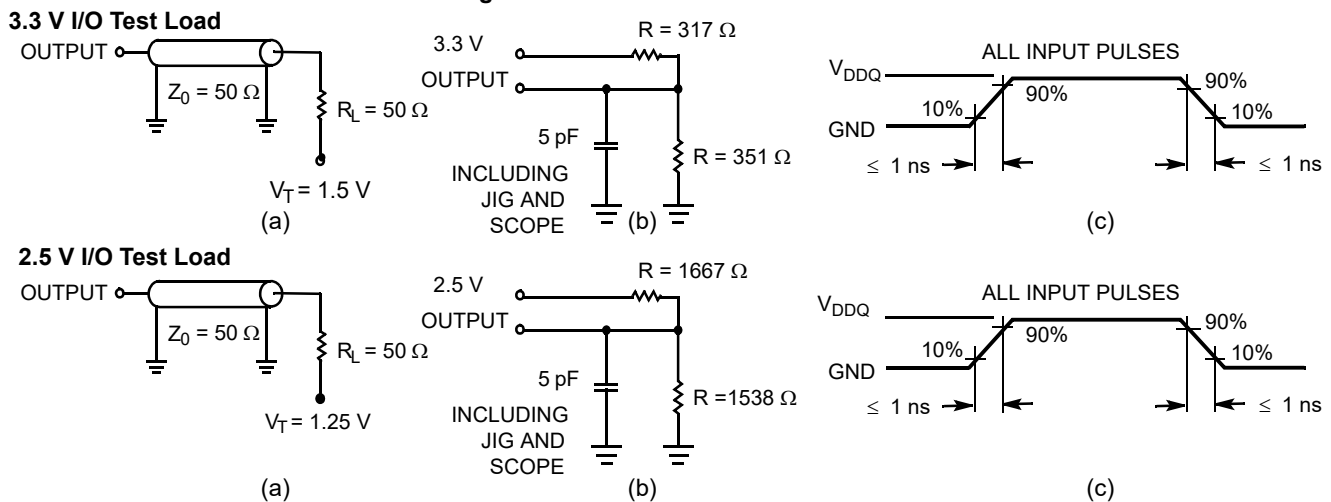
| Parameter <sup>[9, 10]</sup> | Description                                   | Test Conditions   | Min | Max | Unit |
|------------------------------|---|---|-----|-----|------|
| $I_{SB3}$                    | Automatic CS Power-down Current – CMOS Inputs | $V_{DD} = \text{Max}$ , Device Deselected, $V_{IN} \leq 0.3 \text{ V}$ or $V_{IN} \geq V_{DDQ} - 0.3 \text{ V}$ , $f = f_{MAX} = 1/t_{CYC}$ | –   | 75  | mA   |
| $I_{SB4}$                    | Automatic CS Power-down Current – TTL Inputs  | $V_{DD} = \text{Max}$ , Device Deselected, $V_{IN} \geq V_{IH}$ or $V_{IN} \leq V_{IL}$ , $f = 0$   | –   | 45  | mA   |

**Capacitance**

| Parameter <sup>[11]</sup> | Description              | Test Conditions  | 100-pin TQFP Max | Unit |
|---------------------------|--------------------------|--|------------------|------|
| $C_{IN}$                  | Input capacitance        | $T_A = 25 \text{ }^\circ\text{C}$ , $f = 1 \text{ MHz}$ , $V_{DD} = 3.3 \text{ V}$ , $V_{DDQ} = 2.5 \text{ V}$ | 5                | pF   |
| $C_{CLK}$                 | Clock input capacitance  |  | 5                | pF   |
| $C_{I/O}$                 | Input/Output capacitance |  | 5                | pF   |

**Thermal Resistance**

| Parameter <sup>[11]</sup> | Description                              | Test Conditions  | 100-pin TQFP Package | Unit               |
|---------------------------|--|--|----------------------|--------------------|
| $\Theta_{JA}$             | Thermal resistance (junction to ambient) | Test conditions follow standard test methods and procedures for measuring thermal impedance, per EIA/JESD51. | 30.32                | $^\circ\text{C/W}$ |
| $\Theta_{JC}$             | Thermal resistance (junction to case)    |  | 6.85                 | $^\circ\text{C/W}$ |

**AC Test Loads and Waveforms**
**Figure 2. AC Test Loads and Waveforms**

**Note**

11. Tested initially and after any design or process change that may affect these parameters.

## Switching Characteristics

Over the Operating Range

| Parameter <sup>[12, 13]</sup> | Description   | 133 MHz |     | Unit |
|-------------------------------|---|---------|-----|------|
|                               |   | Min     | Max |      |
| t <sub>POWER</sub>            | V <sub>DD</sub> (typical) to the First Access <sup>[14]</sup>                       | 1       | –   | ms   |
| <b>Clock</b>                  |   |         |     |      |
| t <sub>CYC</sub>              | Clock Cycle Time  | 7.5     | –   | ns   |
| t <sub>CH</sub>               | Clock HIGH  | 3.0     | –   | ns   |
| t <sub>CL</sub>               | Clock LOW   | 3.0     | –   | ns   |
| <b>Output Times</b>           |   |         |     |      |
| t <sub>CO</sub>               | Data Output Valid after CLK Rise  | –       | 4.0 | ns   |
| t <sub>DOH</sub>              | Data Output Hold after CLK Rise   | 1.5     | –   | ns   |
| t <sub>CLZ</sub>              | Clock to Low Z <sup>[15, 16, 17]</sup>  | 0       | –   | ns   |
| t <sub>CHZ</sub>              | Clock to High Z <sup>[15, 16, 17]</sup>   | –       | 4.0 | ns   |
| t <sub>OEV</sub>              | $\overline{OE}$ LOW to Output Valid   | –       | 4.5 | ns   |
| t <sub>OELZ</sub>             | $\overline{OE}$ LOW to Output Low Z <sup>[15, 16, 17]</sup>                         | 0       | –   | ns   |
| t <sub>OEHZ</sub>             | $\overline{OE}$ HIGH to Output High Z <sup>[15, 16, 17]</sup>                       | –       | 4.0 | ns   |
| <b>Set-up Times</b>           |   |         |     |      |
| t <sub>AS</sub>               | Address Set-up before CLK Rise  | 1.5     | –   | ns   |
| t <sub>ADS</sub>              | $\overline{ADSC}$ , $\overline{ADSP}$ Set-up before CLK Rise                        | 1.5     | –   | ns   |
| t <sub>ADVS</sub>             | $\overline{ADV}$ Set-up before CLK Rise   | 1.5     | –   | ns   |
| t <sub>WES</sub>              | $\overline{GW}$ , $\overline{BWE}$ , $\overline{BW}_{[A:D]}$ Set-up before CLK Rise | 1.5     | –   | ns   |
| t <sub>DS</sub>               | Data Input Set-up before CLK Rise   | 1.5     | –   | ns   |
| t <sub>CES</sub>              | Chip Enable Set-Up before CLK Rise  | 1.5     | –   | ns   |
| <b>Hold Times</b>             |   |         |     |      |
| t <sub>AH</sub>               | Address Hold after CLK Rise   | 0.5     | –   | ns   |
| t <sub>ADH</sub>              | $\overline{ADSP}$ , $\overline{ADSC}$ Hold after CLK Rise                           | 0.5     | –   | ns   |
| t <sub>ADVH</sub>             | $\overline{ADV}$ Hold after CLK Rise  | 0.5     | –   | ns   |
| t <sub>WEH</sub>              | $\overline{GW}$ , $\overline{BWE}$ , $\overline{BW}_{[A:D]}$ Hold after CLK Rise    | 0.5     | –   | ns   |
| t <sub>DH</sub>               | Data Input Hold after CLK Rise  | 0.5     | –   | ns   |
| t <sub>CEH</sub>              | Chip Enable Hold after CLK Rise   | 0.5     | –   | ns   |

### Notes

12. Timing reference level is 1.5 V when V<sub>DDQ</sub> = 3.3 V and is 1.25 V when V<sub>DDQ</sub> = 2.5 V.

13. Test conditions shown in (a) of Figure 2 on page 10 unless otherwise noted.

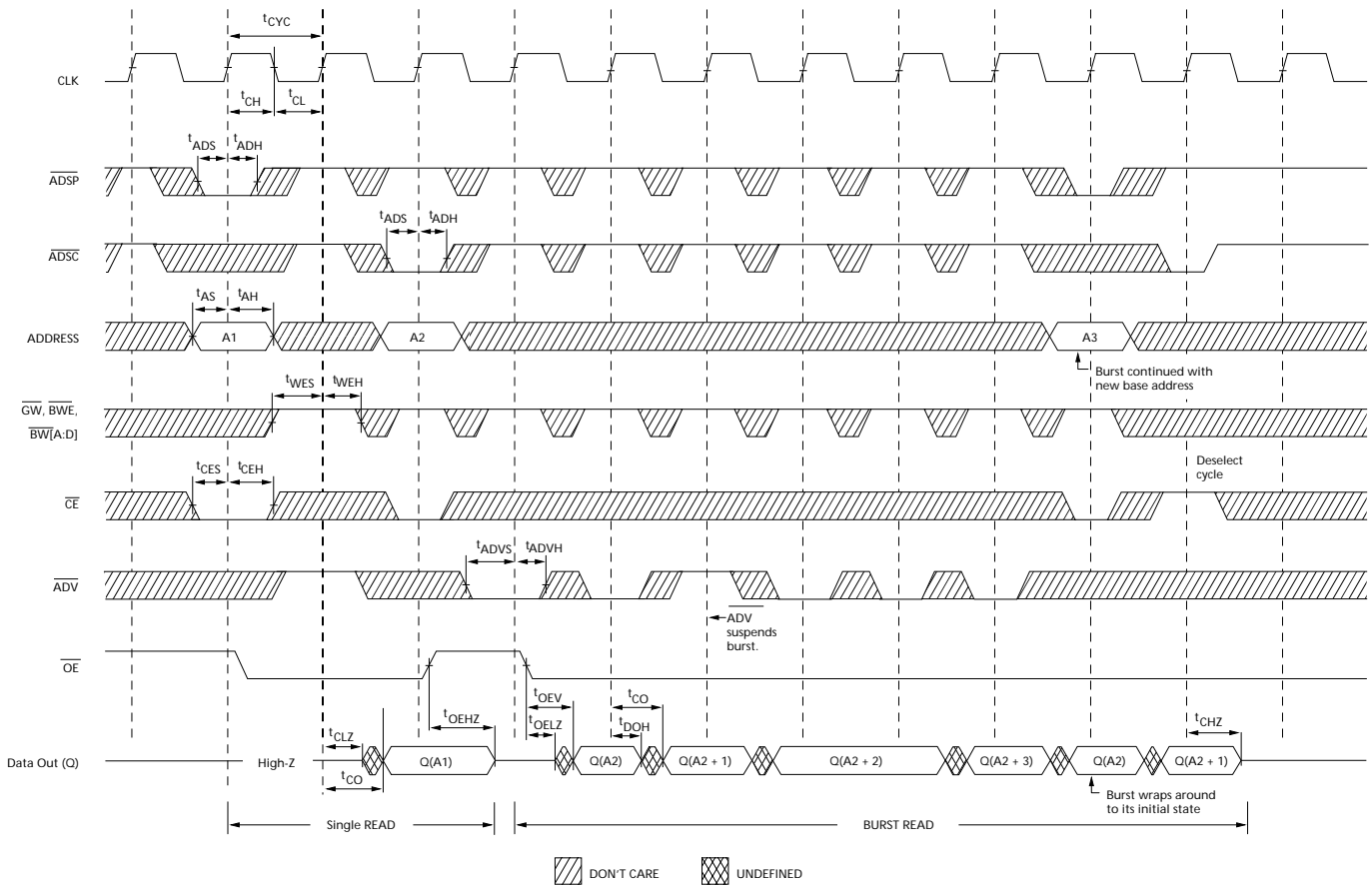
14. This part has a voltage regulator internally; t<sub>POWER</sub> is the time that the power needs to be supplied above V<sub>DD(minimum)</sub> initially before a Read or Write operation can be initiated.

15. t<sub>CHZ</sub>, t<sub>CLZ</sub>, t<sub>OELZ</sub>, and t<sub>OEHZ</sub> are specified with AC test conditions shown in part (b) of Figure 2 on page 10. Transition is measured ± 200 mV from steady-state voltage.

16. At any given voltage and temperature, t<sub>OEHZ</sub> is less than t<sub>OELZ</sub> and t<sub>CHZ</sub> is less than t<sub>CLZ</sub> to eliminate bus contention between SRAMs when sharing the same data bus. These specifications do not imply a bus contention condition, but reflect parameters guaranteed over worst case user conditions. Device is designed to achieve High Z prior to Low Z under the same system conditions.

17. This parameter is sampled and not 100% tested.

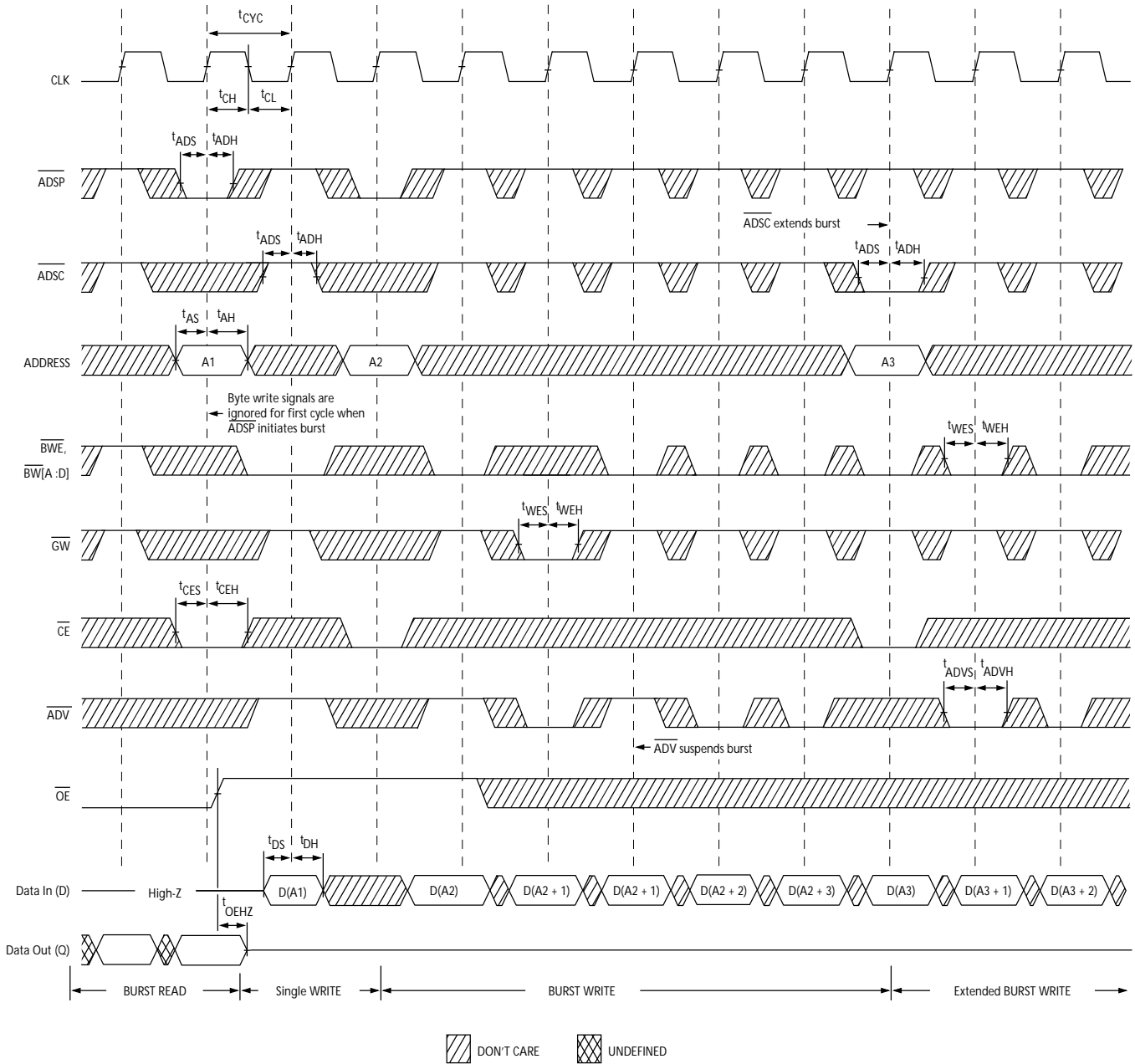
## Switching Waveforms

**Figure 3. Read Cycle Timing [18]**

**Note**

18. On this diagram, when  $\overline{CE}$  is LOW,  $\overline{CE}_1$  is LOW,  $CE_2$  is HIGH and  $\overline{CE}_3$  is LOW. When  $\overline{CE}$  is HIGH,  $\overline{CE}_1$  is HIGH or  $CE_2$  is LOW or  $\overline{CE}_3$  is HIGH.

Switching Waveforms (continued)

Figure 4. Write Cycle Timing [19, 20]

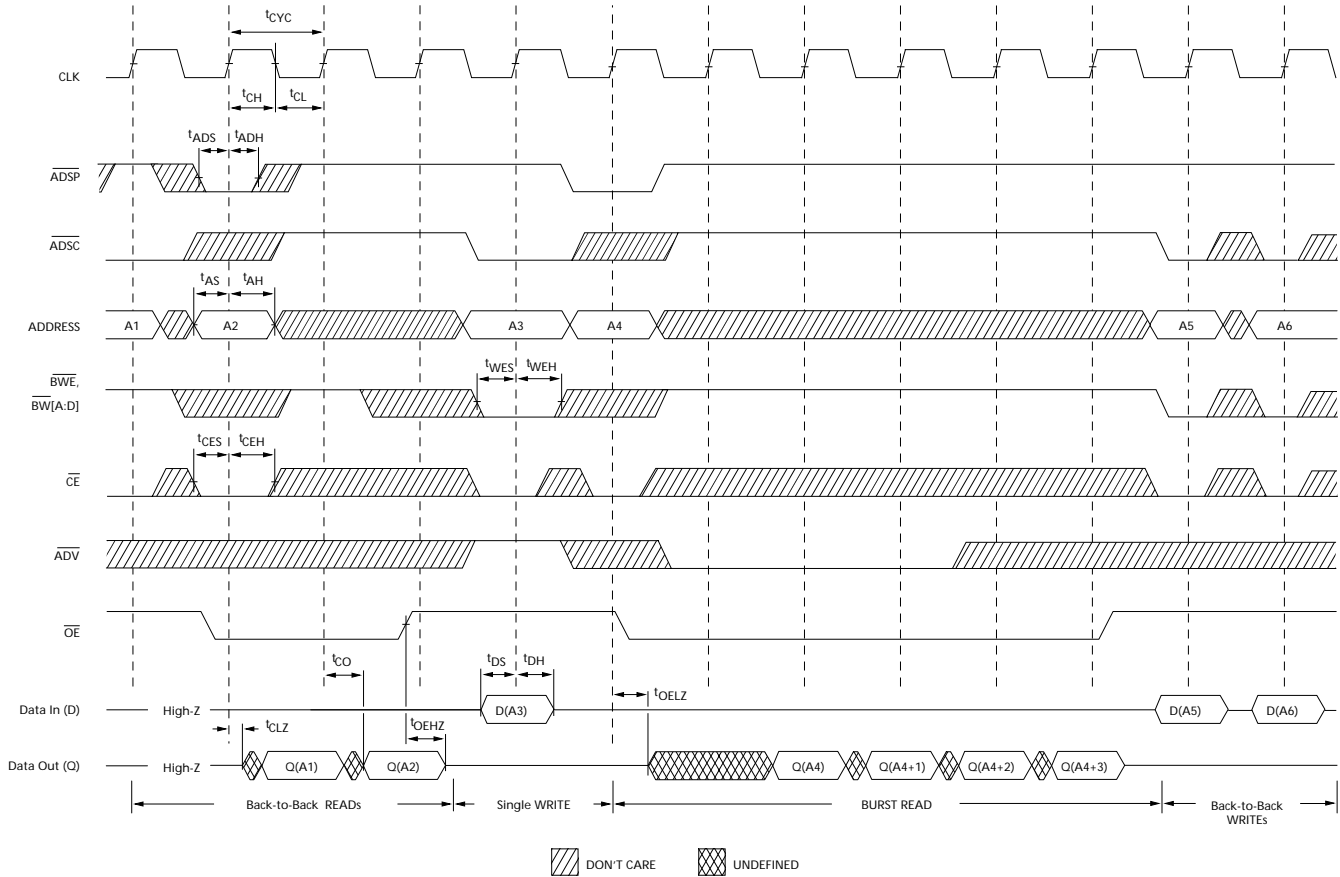


Notes

- 19. On this diagram, when  $\overline{CE}$  is LOW,  $\overline{CE}_1$  is LOW,  $CE_2$  is HIGH and  $\overline{CE}_3$  is LOW. When  $\overline{CE}$  is HIGH,  $\overline{CE}_1$  is HIGH or  $CE_2$  is LOW or  $\overline{CE}_3$  is HIGH.
- 20. Full width Write can be initiated by either GW LOW; or by GW HIGH, BWE LOW and  $BW_{[A:D]}$  LOW.

Switching Waveforms (continued)

Figure 5. Read/Write Cycle Timing [21, 22, 23]

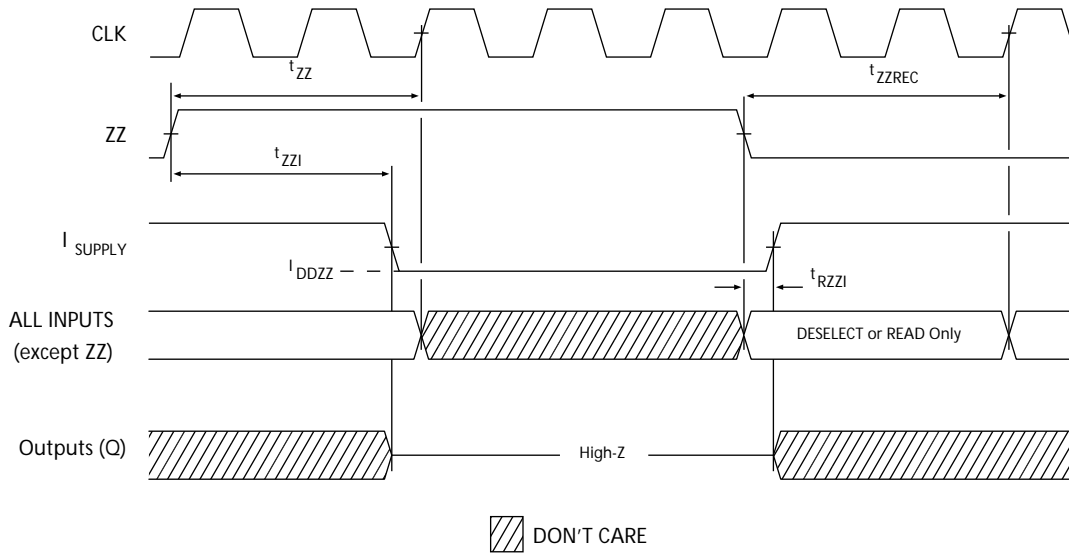


Notes

- 21. On this diagram, when  $\overline{CE}$  is LOW,  $\overline{CE}_1$  is LOW,  $CE_2$  is HIGH and  $\overline{CE}_3$  is LOW. When  $\overline{CE}$  is HIGH,  $\overline{CE}_1$  is HIGH or  $CE_2$  is LOW or  $\overline{CE}_3$  is HIGH.
- 22. The data bus (Q) remains in High Z following a Write cycle unless an ADSP, ADSC, or ADV cycle is performed.
- 23. GW is HIGH.

**Switching Waveforms** (continued)

**Figure 6. ZZ Mode Timing** [24, 25]



**Notes**

- 24. Device must be deselected when entering ZZ mode. See Cycle Descriptions table for all possible signal conditions to deselect the device.
- 25. DQs are in High Z when exiting ZZ sleep mode.

## Ordering Information

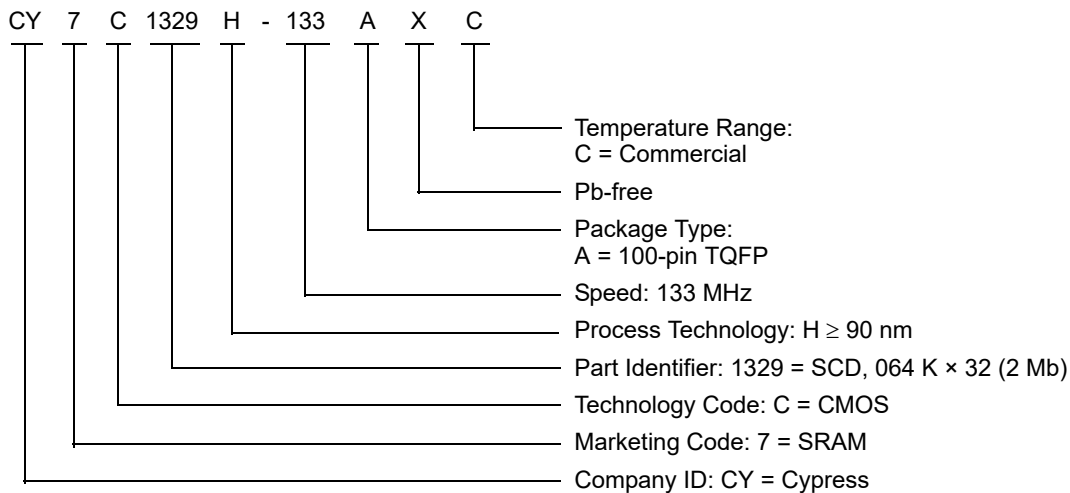
Cypress offers other versions of this type of product in many different configurations and features. The following table contains only the list of parts that are currently available.

For a complete listing of all options, visit the Cypress website at [www.cypress.com](http://www.cypress.com) and refer to the product summary page at <http://www.cypress.com/products> or contact your local sales representative.

Cypress maintains a worldwide network of offices, solution centers, manufacturer’s representatives and distributors. To find the office closest to you, visit us at <http://www.cypress.com/go/datasheet/offices>.

| Speed (MHz) | Ordering Code    | Package Diagram | Package Type                            | Operating Range |
|-------------|------------------|-----------------|---|-----------------|
| 133         | CY7C1329H-133AXC | 51-85050        | 100-pin TQFP (14 × 20 × 1.4 mm) Pb-free | Commercial      |

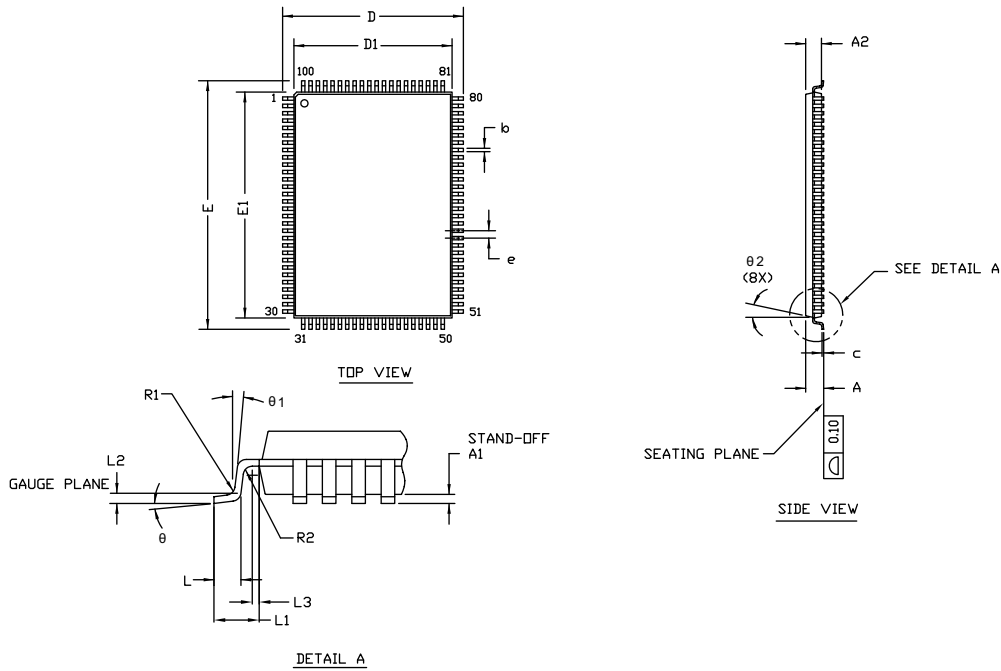
## Ordering Code Definitions





Package Diagram

Figure 7. 100-pin TQFP (14 × 20 × 1.4 mm) A100RA Package Outline, 51-85050



| SYMBOL | DIMENSIONS |       |       |
|--------|------------|-------|-------|
|        | MIN.       | NOM.  | MAX.  |
| A      | —          | —     | 1.60  |
| A1     | 0.05       | —     | 0.15  |
| A2     | 1.35       | 1.40  | 1.45  |
| D      | 15.80      | 16.00 | 16.20 |
| D1     | 13.90      | 14.00 | 14.10 |
| E      | 21.80      | 22.00 | 22.20 |
| E1     | 19.90      | 20.00 | 20.10 |
| R1     | 0.08       | —     | 0.20  |
| R2     | 0.08       | —     | 0.20  |
| θ      | 0°         | —     | 7°    |
| θ1     | 0°         | —     | —     |
| θ2     | 11°        | 12°   | 13°   |
| c      | —          | —     | 0.20  |
| b      | 0.22       | 0.30  | 0.38  |
| L      | 0.45       | 0.60  | 0.75  |
| L1     | 1.00 REF   |       |       |
| L2     | 0.25 BSC   |       |       |
| L3     | 0.20       | —     | —     |
| e      | 0.65 TYP   |       |       |

- NOTE:
- ALL DIMENSIONS ARE IN MILLIMETERS.
  - BODY LENGTH DIMENSION DOES NOT INCLUDE MOLD PROTRUSION/END FLASH. MOLD PROTRUSION/END FLASH SHALL NOT EXCEED 0.0098 in (0.25 mm) PER SIDE. BODY LENGTH DIMENSIONS ARE MAX PLASTIC BODY SIZE INCLUDING MOLD MISMATCH.
  - JEDEC SPECIFICATION NO. REF: MS-026.

51-85050 \*G

## Acronyms

| Acronym         | Description                                |
|-----------------|--|
| $\overline{CE}$ | Chip Enable                                |
| CMOS            | Complementary Metal Oxide Semiconductor    |
| EIA             | Electronic Industries Alliance             |
| I/O             | Input/Output                               |
| JEDEC           | Joint Electron Devices Engineering Council |
| $\overline{OE}$ | Output Enable                              |
| SRAM            | Static Random Access Memory                |
| TQFP            | Thin Quad Flat Pack                        |
| TTL             | Transistor-Transistor Logic                |

## Document Conventions

### Units of Measure

| Symbol | Unit of Measure |
|--------|-----------------|
| °C     | degree Celsius  |
| MHz    | megahertz       |
| μA     | microampere     |
| mA     | milliampere     |
| mm     | millimeter      |
| ms     | millisecond     |
| mV     | millivolt       |
| nm     | nanometer       |
| ns     | nanosecond      |
| Ω      | ohm             |
| %      | percent         |
| pF     | picofarad       |
| V      | volt            |
| W      | watt            |

## Document History Page

| Document Title: CY7C1329H, 2-Mbit (64K × 32) Pipelined Sync SRAM<br>Document Number: 38-05673 |         |                 |                 |  |
|---|---------|-----------------|-----------------|--|
| Rev.  | ECN No. | Orig. of Change | Submission Date | Description of Change  |
| **  | 347357  | PCI             | 04/15/2005      | New data sheet.  |
| *A  | 424820  | R XU            | 02/06/2006      | <p>Changed status from Preliminary to Final.</p> <p>Changed address of Cypress Semiconductor Corporation from "3901 North First Street" to "198 Champion Court".</p> <p>Updated <a href="#">Pin Definitions</a> (Changed Three-State to Tri-State).</p> <p>Updated <a href="#">Functional Overview</a> (Changed Three-State to Tri-State).</p> <p>Updated <a href="#">Truth Table</a> (Updated Note 6 (Changed Three-State to Tri-State)).</p> <p>Updated <a href="#">Maximum Ratings</a> (Changed Three-State to Tri-State).</p> <p>Updated <a href="#">Electrical Characteristics</a> (Updated Note 10 (Changed test condition from <math>V_{IH} \leq V_{DD}</math> to <math>V_{IH} &lt; V_{DD}</math>); changed "Input Load Current except ZZ and MODE" to "Input Leakage Current except ZZ and MODE").</p> <p>Updated <a href="#">Ordering Information</a> (Updated part numbers; removed Package Name column; added Package Diagram column in the table).</p> <p>Updated <a href="#">Package Diagram</a>:<br/>spec 51-85050 – Changed revision from *A to *B.</p> <p>Updated to new template.</p> |
| *B  | 433014  | NXR             | 03/27/2006      | <p>Updated <a href="#">Features</a> (Included 3.3 V I/O option).</p> <p>Updated <a href="#">Functional Description</a> (Included 3.3 V I/O option).</p> <p>Updated <a href="#">Electrical Characteristics</a> (Included 3.3 V I/O option).</p> <p>Updated <a href="#">AC Test Loads and Waveforms</a> (Updated <a href="#">Figure 2</a> (Included 3.3 V I/O option)).</p> <p>Updated <a href="#">Switching Characteristics</a> (Updated Note 12 (Included 3.3 V I/O option)).</p> <p>Updated <a href="#">Ordering Information</a> (Updated part numbers).</p>  |
| *C  | 2896585 | NJY             | 03/20/2010      | <p>Updated <a href="#">Ordering Information</a> (Updated part numbers).</p> <p>Updated <a href="#">Package Diagram</a>:<br/>spec 51-85050 – Changed revision from *B to *C.</p>  |
| *D  | 3052882 | NJY             | 10/08/2010      | <p>Updated <a href="#">Ordering Information</a>:<br/>Updated part numbers.<br/>Added <a href="#">Ordering Code Definitions</a>.</p>  |
| *E  | 3293640 | NJY             | 06/27/2011      | <p>Updated <a href="#">Package Diagram</a>:<br/>spec 51-85050 – Changed revision from *C to *D.</p> <p>Added <a href="#">Acronyms and Units of Measure</a>.</p> <p>Updated to new template.</p> <p>Completing Sunset Review.</p>   |
| *F  | 3613761 | NJY             | 05/10/2012      | <p>Updated <a href="#">Features</a> (Removed 166 MHz frequency related information).</p> <p>Updated <a href="#">Functional Description</a> (Removed the Note "For best-practices recommendations, please refer to the Cypress application note <i>System Design Guidelines</i> on <a href="http://www.cypress.com">www.cypress.com</a>." and its reference).</p> <p>Updated <a href="#">Selection Guide</a> (Removed 166 MHz frequency related information).</p> <p>Updated <a href="#">Pin Definitions</a> (Removed BGA related information).</p> <p>Updated <a href="#">Operating Range</a> (Removed Industrial Temperature Range).</p> <p>Updated <a href="#">Electrical Characteristics</a> (Removed 166 MHz frequency related information).</p> <p>Updated <a href="#">Switching Characteristics</a> (Removed 166 MHz frequency related information).</p> <p>Completing Sunset Review.</p>  |
| *G  | 4081869 | PRIT            | 07/30/2013      | <p>Updated <a href="#">Truth Table</a>:<br/>Updated entire table.<br/>Updated to new template.</p>   |

**Document History Page**

| Document Title: CY7C1329H, 2-Mbit (64K × 32) Pipelined Sync SRAM<br>Document Number: 38-05673 |         |                 |                 |  |
|---|---------|-----------------|-----------------|--|
| Rev.  | ECN No. | Orig. of Change | Submission Date | Description of Change  |
| *H  | 4575272 | PRIT            | 11/20/2014      | Updated <a href="#">Functional Description</a> :<br>Added "For a complete list of related documentation, click <a href="#">here</a> ." at the end.<br>Updated <a href="#">Package Diagram</a> :<br>spec 51-85050 – Changed revision from *D to *E. |
| *I  | 4811048 | PRIT            | 06/25/2015      | Updated to new template.<br>Completing Sunset Review.  |
| *J  | 6045185 | CNX             | 01/25/2018      | Updated <a href="#">Package Diagram</a> :<br>spec 51-85050 – Changed revision from *E to *G.<br>Updated to new template.   |

## Sales, Solutions, and Legal Information

### Worldwide Sales and Design Support

Cypress maintains a worldwide network of offices, solution centers, manufacturer's representatives, and distributors. To find the office closest to you, visit us at [Cypress Locations](#).

#### Products

|                               |  |
|-------------------------------|--|
| Arm® Cortex® Microcontrollers | <a href="http://cypress.com/arm">cypress.com/arm</a>               |
| Automotive                    | <a href="http://cypress.com/automotive">cypress.com/automotive</a> |
| Clocks & Buffers              | <a href="http://cypress.com/clocks">cypress.com/clocks</a>         |
| Interface                     | <a href="http://cypress.com/interface">cypress.com/interface</a>   |
| Internet of Things            | <a href="http://cypress.com/iot">cypress.com/iot</a>               |
| Memory                        | <a href="http://cypress.com/memory">cypress.com/memory</a>         |
| Microcontrollers              | <a href="http://cypress.com/mcu">cypress.com/mcu</a>               |
| PSoC                          | <a href="http://cypress.com/psoc">cypress.com/psoc</a>             |
| Power Management ICs          | <a href="http://cypress.com/pmic">cypress.com/pmic</a>             |
| Touch Sensing                 | <a href="http://cypress.com/touch">cypress.com/touch</a>           |
| USB Controllers               | <a href="http://cypress.com/usb">cypress.com/usb</a>               |
| Wireless Connectivity         | <a href="http://cypress.com/wireless">cypress.com/wireless</a>     |

#### PSoC® Solutions

[PSoC 1](#) | [PSoC 3](#) | [PSoC 4](#) | [PSoC 5LP](#) | [PSoC 6 MCU](#)

#### Cypress Developer Community

[Community](#) | [Projects](#) | [Video](#) | [Blogs](#) | [Training](#) | [Components](#)

#### Technical Support

[cypress.com/support](http://cypress.com/support)

© Cypress Semiconductor Corporation, 2005-2018. This document is the property of Cypress Semiconductor Corporation and its subsidiaries, including Spansion LLC ("Cypress"). This document, including any software or firmware included or referenced in this document ("Software"), is owned by Cypress under the intellectual property laws and treaties of the United States and other countries worldwide. Cypress reserves all rights under such laws and treaties and does not, except as specifically stated in this paragraph, grant any license under its patents, copyrights, trademarks, or other intellectual property rights. If the Software is not accompanied by a license agreement and you do not otherwise have a written agreement with Cypress governing the use of the Software, then Cypress hereby grants you a personal, non-exclusive, nontransferable license (without the right to sublicense) (1) under its copyright rights in the Software (a) for Software provided in source code form, to modify and reproduce the Software solely for use with Cypress hardware products, only internally within your organization, and (b) to distribute the Software in binary code form externally to end users (either directly or indirectly through resellers and distributors), solely for use on Cypress hardware product units, and (2) under those claims of Cypress's patents that are infringed by the Software (as provided by Cypress, unmodified) to make, use, distribute, and import the Software solely for use with Cypress hardware products. Any other use, reproduction, modification, translation, or compilation of the Software is prohibited.

TO THE EXTENT PERMITTED BY APPLICABLE LAW, CYPRESS MAKES NO WARRANTY OF ANY KIND, EXPRESS OR IMPLIED, WITH REGARD TO THIS DOCUMENT OR ANY SOFTWARE OR ACCOMPANYING HARDWARE, INCLUDING, BUT NOT LIMITED TO, THE IMPLIED WARRANTIES OF MERCHANTABILITY AND FITNESS FOR A PARTICULAR PURPOSE. To the extent permitted by applicable law, Cypress reserves the right to make changes to this document without further notice. Cypress does not assume any liability arising out of the application or use of any product or circuit described in this document. Any information provided in this document, including any sample design information or programming code, is provided only for reference purposes. It is the responsibility of the user of this document to properly design, program, and test the functionality and safety of any application made of this information and any resulting product. Cypress products are not designed, intended, or authorized for use as critical components in systems designed or intended for the operation of weapons, weapons systems, nuclear installations, life-support devices or systems, other medical devices or systems (including resuscitation equipment and surgical implants), pollution control or hazardous substances management, or other uses where the failure of the device or system could cause personal injury, death, or property damage ("Unintended Uses"). A critical component is any component of a device or system whose failure to perform can be reasonably expected to cause the failure of the device or system, or to affect its safety or effectiveness. Cypress is not liable, in whole or in part, and you shall and hereby do release Cypress from any claim, damage, or other liability arising from or related to all Unintended Uses of Cypress products. You shall indemnify and hold Cypress harmless from and against all claims, costs, damages, and other liabilities, including claims for personal injury or death, arising from or related to any Unintended Uses of Cypress products.

Cypress, the Cypress logo, Spansion, the Spansion logo, and combinations thereof, WICED, PSoC, CapSense, EZ-USB, F-RAM, and Traveo are trademarks or registered trademarks of Cypress in the United States and other countries. For a more complete list of Cypress trademarks, visit [cypress.com](http://cypress.com). Other names and brands may be claimed as property of their respective owners.

Компания «Океан Электроники» предлагает заключение долгосрочных отношений при поставках импортных электронных компонентов на взаимовыгодных условиях!

Наши преимущества:

- Поставка оригинальных импортных электронных компонентов напрямую с производств Америки, Европы и Азии, а так же с крупнейших складов мира;
- Широкая линейка поставок активных и пассивных импортных электронных компонентов (более 30 млн. наименований);
- Поставка сложных, дефицитных, либо снятых с производства позиций;
- Оперативные сроки поставки под заказ (от 5 рабочих дней);
- Экспресс доставка в любую точку России;
- Помощь Конструкторского Отдела и консультации квалифицированных инженеров;
- Техническая поддержка проекта, помощь в подборе аналогов, поставка прототипов;
- Поставка электронных компонентов под контролем ВП;
- Система менеджмента качества сертифицирована по Международному стандарту ISO 9001;
- При необходимости вся продукция военного и аэрокосмического назначения проходит испытания и сертификацию в лаборатории (по согласованию с заказчиком);
- Поставка специализированных компонентов военного и аэрокосмического уровня качества (Xilinx, Altera, Analog Devices, Intersil, Interpoint, Microsemi, Actel, Aeroflex, Peregrine, VPT, Syfer, Eurofarad, Texas Instruments, MS Kennedy, Miteq, Cobham, E2V, MA-COM, Hittite, Mini-Circuits, General Dynamics и др.);

Компания «Океан Электроники» является официальным дистрибьютором и эксклюзивным представителем в России одного из крупнейших производителей разъемов военного и аэрокосмического назначения «**JONHON**», а так же официальным дистрибьютором и эксклюзивным представителем в России производителя высокотехнологичных и надежных решений для передачи СВЧ сигналов «**FORSTAR**».



## JONHON

«**JONHON**» (основан в 1970 г.)

Разъемы специального, военного и аэрокосмического назначения:

(Применяются в военной, авиационной, аэрокосмической, морской, железнодорожной, горно- и нефтедобывающей отраслях промышленности)

«**FORSTAR**» (основан в 1998 г.)

ВЧ соединители, коаксиальные кабели,  
кабельные сборки и микроволновые компоненты:

(Применяются в телекоммуникациях гражданского и специального назначения, в средствах связи, РЛС, а так же военной, авиационной и аэрокосмической отраслях промышленности).



Телефон: 8 (812) 309-75-97 (многоканальный)

Факс: 8 (812) 320-03-32

Электронная почта: [ocean@oceanchips.ru](mailto:ocean@oceanchips.ru)

Web: <http://oceanchips.ru/>

Адрес: 198099, г. Санкт-Петербург, ул. Калинина, д. 2, корп. 4, лит. А