

## 200 mA 42 V Ultra Low Supply Current Voltage Regulator for Automotive Applications

NO. EC-520-190109

### OVERVIEW

The R1525x is a low supply current voltage regulator featuring 200mA output current and up to 42 V input voltage. By providing excellent noise immunity to externally generated RF noise, this device is suitable for the automotive power source for car accessories and control unit used under the electromagnetic environment.

### KEY BENEFITS

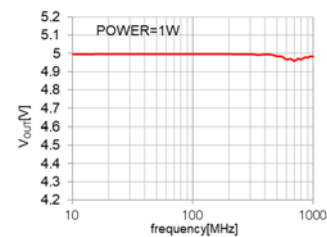
- Achieves low-supply current of 2.2 $\mu$ A (Typ.) with the LDO at maximum rating 50 V (Peak Inrush Voltage: 60 V).
- Ensures the design margin by the output voltage with high-accuracy of  $\pm 0.6\%$  ( $T_a = 25^\circ\text{C}$ ).
- Protects the output voltage variations in high-frequency noise band (10MHz to 1GHz).

### KEY SPECIFICATIONS

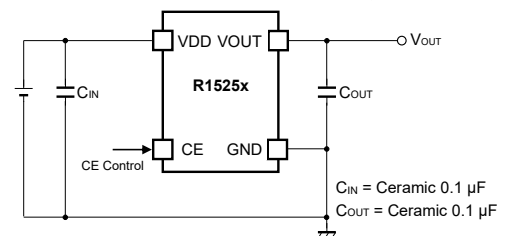
- Input Voltage Range: 3.5 V to 42.0 V
- Maximum Rating: 50 V  
(Peak Inrush Voltage: 60 V@200ms or less)
- Operating Temperature Range:  $-40^\circ\text{C}$  to  $125^\circ\text{C}$
- Supply Current: Typ. 2.2  $\mu$ A (Typ. 0.1 $\mu$ A at Standby)
- Dropout Voltage: Typ. 0.6 V ( $I_{\text{OUT}} = 200$  mA,  $V_{\text{OUT}} = 5.0$  V)
- Output Voltage Range: 1.8 V, 2.5 V, 2.8 V, 3.0 V, 3.3 V, 3.4 V, 5.0 V, 5.5 V, 6.0 V, 6.4 V, 7.5 V, 8.0 V, 8.5 V, 9.0 V
- Output Voltage Accuracy:  $\pm 0.6\%$  ( $T_a = 25^\circ\text{C}$ )  
 $\pm 1.6\%$  ( $-40^\circ\text{C} \leq T_a \leq 125^\circ\text{C}$ )
- Input Stability: Typ. 0.01%/V ( $V_{\text{SET}} + 1$  V  $\leq V_{\text{IN}} \leq 42$  V)
- Short-circuit Protection: Limited to Typ. 80 mA
- Overcurrent Protection: Limited to Typ. 350 mA
- Thermal Shutdown: Detected at Typ.  $160^\circ\text{C}$

### CHARACTERISTICS

Noise Immunity Characteristic



### TYPICAL APPLICATIONS



### PACKAGES (unit: mm)



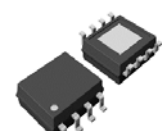
**SOT-23-5**  
2.9 x 2.8 x 1.1



**SOT-89-5**  
4.5 x 4.35 x 1.5



**HSOP-6J**  
5.02 x 6.0 x 1.5



**HSOP-8E**  
5.2 x 6.2 x 1.45

### APPLICATIONS

- Power source for accessories such as car audios, car navigation systems, and ETC systems
- Power source for ECUs such as EV inverter and battery charge control unit

---

## R1525x

---

NO. EC-520-190109

## SELECTION GUIDE

The set output voltage, the package type, and the quality class are user-selectable.

### Selection Guide

Product Name	Package	Quantity per Reel	Pb Free	Halogen Free
R1525NxxxB-TR-#E	SOT-23-5	3,000 pcs	Yes	Yes
R1525HxxxB-T1-#E	SOT-89-5	1,000 pcs	Yes	Yes
R1525SxxxB-E2-#E	HSOP-6J	1,000 pcs	Yes	Yes
R1525SxxxH-E2-#E	HSOP-8E	1,000 pcs	Yes	Yes

xxx : Specify the set output voltage ( $V_{SET}$ )

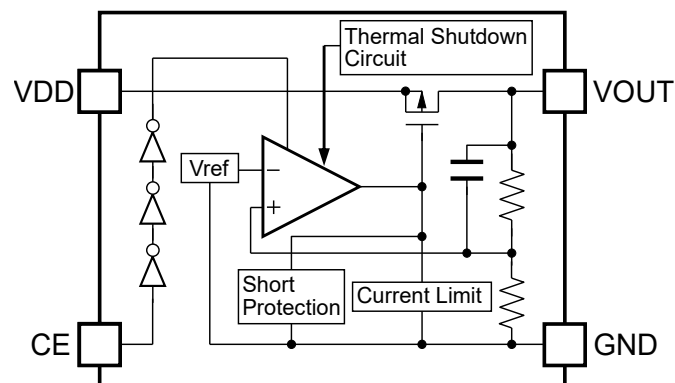
1.8 V (018) / 2.5 V (025) / 2.8 V (028) / 3.0 V (030) / 3.3 V (033) / 3.4 V (034) / 5.0 V (050) /  
5.5 V (055) / 6.0 V (060) / 6.4 V (064) / 7.5 V (075) / 8.0 V (080) / 8.5 V (085) / 9.0 V (090)

# : Quality Class

#	Operating Temperature Range	Test Temperature
A	-40°C to 125°C	25°C, High
K	-40°C to 125°C	Low, 25°C, High

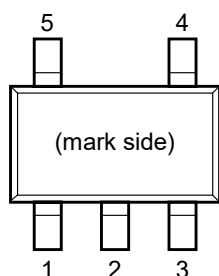
---

## BLOCK DIAGRAM

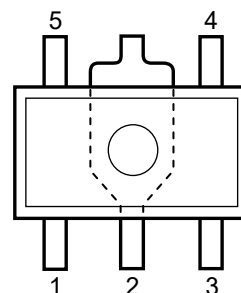


R1525x Block Diagram

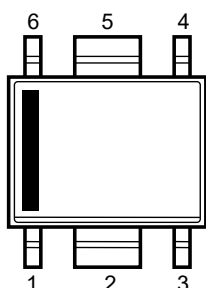
## PIN DESCRIPTIONS



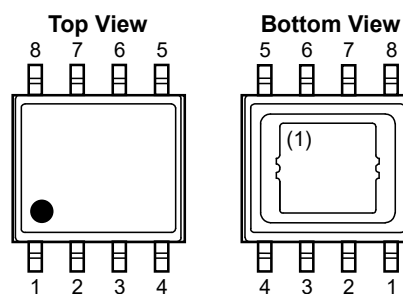
R1525N (SOT-23-5) Pin Configuration



R1525H (SOT-89-5) Pin Configuration



R1525S (HSOP-6J) Pin Configuration



R1525S (HSOP-8E) Pin Configuration

## R1525N Pin Description

Pin No.	Pin Name	Description
1	GND <sup>(2)</sup>	Ground Pin
2	GND <sup>(2)</sup>	Ground Pin
3	CE	Chip Enable Pin (Active-high)
4	VOUT	Output Pin
5	VDD	Input Pin

## R1525H Pin Description

Pin No.	Pin Name	Description
1	VOUT	Output Pin
2	GND <sup>(2)</sup>	Ground Pin
3	CE	Chip Enable Pin (Active-high)
4	GND <sup>(2)</sup>	Ground Pin
5	VDD	Input Pin

<sup>(1)</sup> The tab on the bottom of the package enhances thermal performance and is electrically connected to GND (substrate level). It is recommended that the tab be connected to the ground plane on the board, or otherwise be left open.

<sup>(2)</sup> The GND pin must be wired together when it is mounted on board.

## R1525x

NO. EC-520-190109

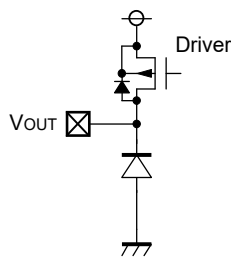
### R1525S (HSOP-6J) Pin Description

Pin No.	Pin Name	Description
1	VOUT	Output Pin
2	GND <sup>(1)</sup>	Ground Pin
3	CE	Chip Enable Pin (Active-high)
4	GND <sup>(1)</sup>	Ground Pin
5	GND <sup>(1)</sup>	Ground Pin
6	VDD	Input Pin

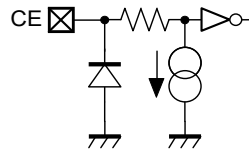
### R1525S (HSOP-8E) Pin Description

Pin No.	Pin Name	Description
1	VOUT	Output Pin
2	NC	No Connection
3	NC	No Connection
4	CE	Chip Enable Pin (Active-high)
5	GND	Ground Pin
6	NC	No Connection
7	NC	No Connection
8	VDD	Input Pin

### Pin Equivalent Circuit Diagrams



VOUT Pin Equivalent Circuit Diagram



CE Pin Equivalent Circuit Diagram

<sup>(1)</sup> The GND pins are connected to each other on the board.

## ABSOLUTE MAXIMUM RATINGS

### Absolute Maximum Ratings

Symbol	Parameter	Rating	Unit	
$V_{IN}$	Input Voltage	-0.3 to 50	V	
$V_{IN}$	Peak Inrush Voltage <sup>(1)</sup>	60	V	
$V_{CE}$	CE Pin Input Voltage	-0.3 to 50	V	
$V_{OUT}$	Output Voltage	-0.3 to $V_{IN} + 0.3 \leq 50$	V	
$I_{OUT}$	Output Current	300	mA	
$P_D$	Power Dissipation <sup>(2)</sup> (JEDEC STD. 51-7)	SOT-23-5	830	mW
		SOT-89-5	3200	
		HSOP-6J	3400	
		HSOP-8E	3600	
$T_j$	Junction Temperature	-40 to 150	°C	
$T_{stg}$	Storage Temperature Range	-55 to 150	°C	

### ABSOLUTE MAXIMUM RATINGS

Electronic and mechanical stress momentarily exceeded absolute maximum ratings may cause the permanent damages and may degrade the life time and safety for both device and system using the device in the field. The functional operation at or over these absolute maximum ratings is not assured.

## RECOMMENDED OPERATING CONDITIONS

### Recommended Operating Conditions

Symbol	Parameter	Rating	Unit
$V_{IN}$	Input Voltage	3.5 to 42	V
$T_a$	Operating Temperature Range	-40 to 125	°C

### RECOMMENDED OPERATING CONDITONS

All of electronic equipment should be designed that the mounted semiconductor devices operate within the recommended operating conditions. The semiconductor devices cannot operate normally over the recommended operating conditions, even if when they are used over such conditions by momentary electronic noise or surge. And the semiconductor devices may receive serious damage when they continue to operate over the recommended operating conditions.

<sup>(1)</sup> Duration: 200 ms or less

<sup>(2)</sup> Refer to *POWER DISSIPATION* for detailed information.

## R1525x

NO. EC-520-190109

## ELECTRICAL CHARACTERISTICS

$C_{IN} = C_{OUT} = 0.1 \mu\text{F}$ , unless otherwise noted.

The specifications surrounded by   are guaranteed by design engineering at  $-40^\circ\text{C} \leq T_a \leq 125^\circ\text{C}$ .

### R1525x (-AE) Electrical Characteristics

( $T_a = 25^\circ\text{C}$ )

Symbol	Parameter	Conditions		Min.	Typ.	Max.	Unit
$I_{SS}$	Supply Current	$V_{IN} = 14 \text{ V}$ $I_{OUT} = 0 \text{ mA}$	$V_{SET} \leq 5.0 \text{ V}$		2.2	<span style="border: 1px solid black; padding: 0 2px;">6.5</span>	$\mu\text{A}$
			$5.0 \text{ V} < V_{SET}$		2.5	<span style="border: 1px solid black; padding: 0 2px;">6.8</span>	
$I_{standby}$	Supply Current	$V_{IN} = 42 \text{ V}, V_{CE} = 0 \text{ V}$			0.1	1.0	$\mu\text{A}$
$V_{OUT}$	Output Voltage	$V_{SET} + 1 \text{ V}^{(1)} \leq V_{IN} \leq 42 \text{ V}, I_{OUT} = 1 \text{ mA}$	$T_a = 25^\circ\text{C}$	$\times 0.994$		$\times 1.006$	V
			$-40^\circ\text{C} \leq T_a \leq 125^\circ\text{C}$	<span style="border: 1px solid black; padding: 0 2px;">0.984</span>		<span style="border: 1px solid black; padding: 0 2px;">1.016</span>	
$\frac{\Delta V_{OUT}}{\Delta I_{OUT}}$	Load Regulation	$V_{IN} = V_{SET} + 3.0 \text{ V}$ $1 \text{ mA} \leq I_{OUT} \leq 200 \text{ mA}$		Refer to Product-specific Electrical Characteristics			
$\frac{\Delta V_{OUT}}{\Delta V_{IN}}$	Line Regulation	$V_{SET} + 1 \text{ V}^{(1)} \leq V_{IN} \leq 42 \text{ V}, I_{OUT} = 1 \text{ mA}$	$V_{SET} < 3.3 \text{ V}$	<span style="border: 1px solid black; padding: 0 2px;">-20</span>	5	<span style="border: 1px solid black; padding: 0 2px;">20</span>	mV
			$3.3 \text{ V} \leq V_{SET}$	<span style="border: 1px solid black; padding: 0 2px;">-0.02</span>	0.01	<span style="border: 1px solid black; padding: 0 2px;">0.02</span>	%/V
$V_{DIF}$	Dropout Voltage	$I_{OUT} = 200 \text{ mA}$		Refer to Product-specific Electrical Characteristics			
$I_{LIM}$	Output Current Limit	$V_{IN} = V_{SET} + 3.0 \text{ V}$		<span style="border: 1px solid black; padding: 0 2px;">220</span>	350	<span style="border: 1px solid black; padding: 0 2px;">420</span>	mA
$I_{SC}$	Short-circuit Current	$V_{IN} = 3.5 \text{ V}, V_{OUT} = 0 \text{ V}$		<span style="border: 1px solid black; padding: 0 2px;">60</span>	80	<span style="border: 1px solid black; padding: 0 2px;">110</span>	mA
$V_{CEH}$	CE Pin Input Voltage, high	$V_{IN} = V_{SET} + 1 \text{ V}^{(1)}$		<span style="border: 1px solid black; padding: 0 2px;">2.0</span>		42	V
$V_{CEL}$	CE Pin Input Voltage, low	$V_{IN} = 42 \text{ V}$		0		<span style="border: 1px solid black; padding: 0 2px;">1.0</span>	V
$I_{PD}$	CE Pull-down Current	$V_{IN} = 42 \text{ V}, V_{CE} = 2 \text{ V}$			0.2	<span style="border: 1px solid black; padding: 0 2px;">0.6</span>	$\mu\text{A}$
$T_{TSD}$	Thermal Shutdown Detection Temperature	Junction Temperature			160		$^\circ\text{C}$
$T_{TSR}$	Thermal Shutdown Release Temperature	Junction Temperature			135		$^\circ\text{C}$

All parameters are tested under the pulse load condition ( $T_j \approx T_a = 25^\circ\text{C}$ ).

<sup>(1)</sup>  $V_{SET} \leq 2.5 \text{ V}, V_{IN} = 3.5 \text{ V}$

The specifications surrounded by  $\square$  are guaranteed by design engineering at  $-40^{\circ}\text{C} \leq T_a \leq 125^{\circ}\text{C}$ .

## R1525x (-AE) Product-specific Electrical Characteristics

(Ta = 25°C)

Product Name	V <sub>OUT</sub> (V) (Ta = 25°C)			V <sub>OUT</sub> (V) (-40°C ≤ Ta ≤ 125°C)			ΔV <sub>OUT</sub> /ΔI <sub>OUT</sub> (mV)			V <sub>DIF</sub> (V)	
	MIN.	TYP.	MAX.	MIN.	TYP.	MAX.	MIN.	TYP.	MAX.	TYP.	MAX.
R1525x018x	1.7892	1.80	1.8108	$\square$ 1.7712	1.80	$\square$ 1.8288	$\square$ -10	10	$\square$ 40	1.6	$\square$ 2.5
R1525x025x	2.4850	2.50	2.5150	$\square$ 2.4600	2.50	$\square$ 2.5400				1.2	$\square$ 2.2
R1525x028x	2.7832	2.80	2.8168	$\square$ 2.7552	2.80	$\square$ 2.8448					
R1525x030x	2.9820	3.00	3.0180	$\square$ 2.9520	3.00	$\square$ 3.0480				0.8	$\square$ 2.0
R1525x033x	3.2802	3.30	3.3198	$\square$ 3.2472	3.30	$\square$ 3.3528					
R1525x034x	3.3796	3.40	3.4204	$\square$ 3.3456	3.40	$\square$ 3.4544					
R1525x050x	4.9700	5.00	5.0300	$\square$ 4.9200	5.00	$\square$ 5.0800	$\square$ -18	18	$\square$ 72	0.6	$\square$ 1.2
R1525x055x	5.4670	5.50	5.5330	$\square$ 5.4120	5.50	$\square$ 5.5880					
R1525x060x	5.9640	6.00	6.0360	$\square$ 5.9040	6.00	$\square$ 6.0960					
R1525x064x	6.3616	6.40	6.4384	$\square$ 6.2976	6.40	$\square$ 6.5024				0.5	$\square$ 1.3
R1525x075x	7.4550	7.50	7.5450	$\square$ 7.3800	7.50	$\square$ 7.6200					
R1525x080x	7.9520	8.00	8.0480	$\square$ 7.8720	8.00	$\square$ 8.1280					
R1525x085x	8.4490	8.50	8.5510	$\square$ 8.3640	8.50	$\square$ 8.6360					
R1525x090x	8.9460	9.00	9.0540	$\square$ 8.8560	9.00	$\square$ 9.1440					

## R1525x

NO. EC-520-190109

$C_{IN} = C_{OUT} = 0.1 \mu\text{F}$ , unless otherwise noted.

### R1525x (-KE) Electrical Characteristics

( $-40^{\circ}\text{C} \leq T_a \leq 125^{\circ}\text{C}$ )

Symbol	Parameter	Conditions	Min.	Typ.	Max.	Unit	
$I_{SS}$	Supply Current	$V_{IN} = 14 \text{ V}$ $I_{OUT} = 0 \text{ mA}$	$V_{SET} \leq 5.0 \text{ V}$		2.2	6.5	$\mu\text{A}$
			$5.0 \text{ V} < V_{SET}$		2.5	6.8	
$I_{standby}$	Supply Current	$V_{IN} = 42 \text{ V}, V_{CE} = 0 \text{ V}$		0.1	1.0	$\mu\text{A}$	
$V_{OUT}$	Output Voltage	$V_{SET} + 1 \text{ V}^{(1)} \leq V_{IN} \leq 42 \text{ V}, I_{OUT} = 1 \text{ mA}$	$T_a = 25^{\circ}\text{C}$ $-40^{\circ}\text{C} \leq T_a \leq 125^{\circ}\text{C}$	$\times 0.994$ $\times 0.984$	$\times 1.006$ $\times 1.016$	V	
$\frac{\Delta V_{OUT}}{\Delta I_{OUT}}$	Load Regulation	$V_{IN} = V_{SET} + 3.0 \text{ V}$ $1 \text{ mA} \leq I_{OUT} \leq 200 \text{ mA}$	Refer to Product-specific Electrical Characteristics				
$\frac{\Delta V_{OUT}}{\Delta V_{IN}}$	Line Regulation	$V_{SET} + 1 \text{ V}^{(1)} \leq V_{IN} \leq 42 \text{ V}, I_{OUT} = 1 \text{ mA}$	$V_{SET} < 3.3 \text{ V}$	-20	5	20	mV
			$3.3 \text{ V} \leq V_{SET}$	-0.02	0.01	0.02	%/V
$V_{DIF}$	Dropout Voltage	$I_{OUT} = 200 \text{ mA}$	Refer to Product-specific Electrical Characteristics				
$I_{LIM}$	Output Current Limit	$V_{IN} = V_{SET} + 3.0 \text{ V}$	220	350	420	mA	
$I_{SC}$	Short-circuit Current	$V_{IN} = 3.5 \text{ V}, V_{OUT} = 0 \text{ V}$	60	80	110	mA	
$V_{CEH}$	CE Pin Input Voltage, high	$V_{IN} = V_{SET} + 1 \text{ V}^{(1)}$	2.0		42	V	
$V_{CEL}$	CE Pin Input Voltage, low	$V_{IN} = 42 \text{ V}$	0		1.0	V	
$I_{PD}$	CE Pull-down Current	$V_{IN} = 42 \text{ V}, V_{CE} = 2 \text{ V}$		0.2	0.6	$\mu\text{A}$	
$T_{TSD}$	Thermal Shutdown Detection Temperature	Junction Temperature	150	160		$^{\circ}\text{C}$	
$T_{TSR}$	Thermal Shutdown Release Temperature	Junction Temperature	125	135		$^{\circ}\text{C}$	

<sup>(1)</sup>  $V_{SET} \leq 2.5 \text{ V}, V_{IN} = 3.5 \text{ V}$



## R1525x (-KE) Product-specific Electrical Characteristics (-40°C ≤ Ta ≤ 125°C)

Product Name	V <sub>OUT</sub> (V) (Ta = 25°C)			V <sub>OUT</sub> (V) (-40°C ≤ Ta ≤ 125°C)			ΔV <sub>OUT</sub> /ΔI <sub>OUT</sub> (mV)			V <sub>DIF</sub> (V)	
	MIN.	TYP.	MAX.	MIN.	TYP.	MAX.	MIN.	TYP.	MAX.	TYP.	MAX.
R1525x018x	1.7892	1.80	1.8108	1.7712	1.80	1.8288	-10	10	40	1.6	2.5
R1525x025x	2.4850	2.50	2.5150	2.4600	2.50	2.5400				1.2	2.2
R1525x028x	2.7832	2.80	2.8168	2.7552	2.80	2.8448					
R1525x030x	2.9820	3.00	3.0180	2.9520	3.00	3.0480				0.8	2.0
R1525x033x	3.2802	3.30	3.3198	3.2472	3.30	3.3528					
R1525x034x	3.3796	3.40	3.4204	3.3456	3.40	3.4544					
R1525x050x	4.9700	5.00	5.0300	4.9200	5.00	5.0800				-18	18
R1525x055x	5.4670	5.50	5.5330	5.4120	5.50	5.5880					
R1525x060x	5.9640	6.00	6.0360	5.9040	6.00	6.0960					
R1525x064x	6.3616	6.40	6.4384	6.2976	6.40	6.5024					
R1525x075x	7.4550	7.50	7.5450	7.3800	7.50	7.6200	0.5	1.3			
R1525x080x	7.9520	8.00	8.0480	7.8720	8.00	8.1280					
R1525x085x	8.4490	8.50	8.5510	8.3640	8.50	8.6360					
R1525x090x	8.9460	9.00	9.0540	8.8560	9.00	9.1440					

---

## R1525x

---

NO. EC-520-190109

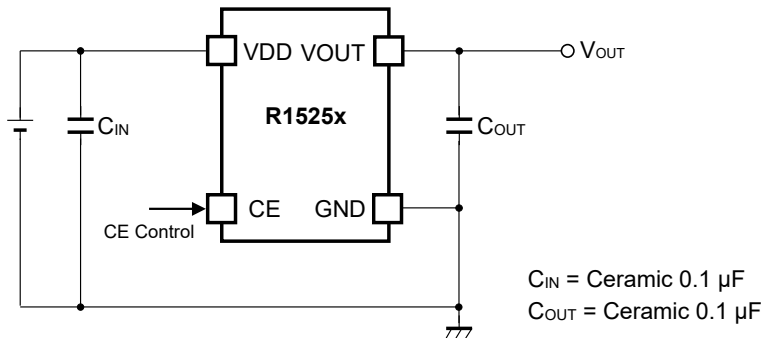
## THEORY OF OPERATION

### Thermal Shutdown

When the junction temperature of this device exceeds 160°C (Typ.), the built-in thermal shutdown circuit stops the regulator operation. After that, when the temperature drops to 135°C (Typ.) or lower, the regulator restarts the operation. Unless eliminating the overheating problem, the regulator turns on and off repeatedly and a pulse shaped output voltage occurs as result.

## APPLICATION INFORMATION

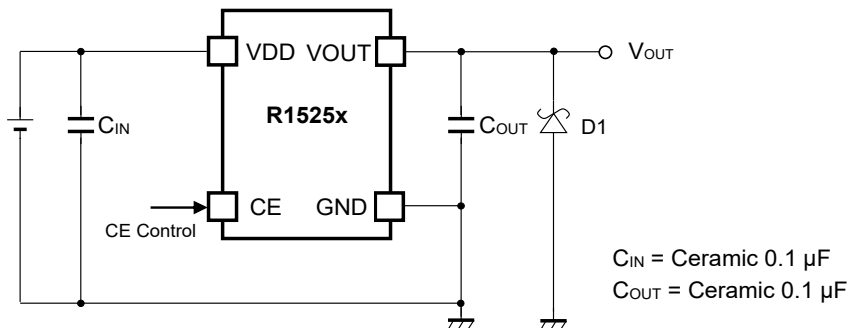
### Typical Applications



**R1525x Typical Applications**

### Typical Application for IC Chip Breakdown Prevention

When a sudden surge of electrical current travels along the VOUT pin and GND due to a short-circuit, electrical resonance of a circuit involving an output capacitor and a short circuit inductor generates a negative voltage and may damage the device or the load devices. Connecting a schottky diode (D1) between the VOUT pin and GND has the effect of preventing damage to them.



**R1525x Typical Application for IC Chip Breakdown Prevention**

## TECHNICAL NOTES

### Phase Compensation

Phase compensation is provided to secure stable operation even when the load current is varied. For this purpose, make sure to use 0.1  $\mu\text{F}$  or more of a capacitor ( $C_{\text{OUT}}$ ). In case of using a tantalum type capacitor and the ESR (Equivalent Series Resistance) value of the capacitor is large, the output might be unstable. Evaluate the circuit including consideration of frequency characteristics. Connect 0.1  $\mu\text{F}$  or more of a capacitor ( $C_{\text{IN}}$ ) between  $V_{\text{DD}}$  and GND, and as close as possible to the pins.

### PCB Layout

For SOT-23-5 package type, wire the following GND pins together: No. 1 and No. 2

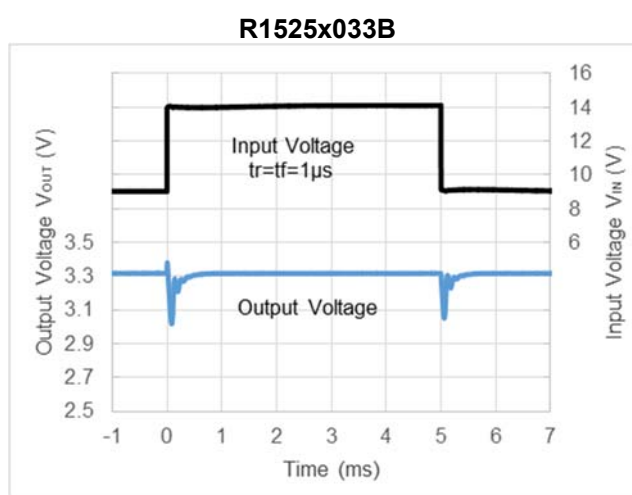
For SOT-89-5 package type, wire the following GND pins together: No. 2 and No. 4.

For HSOP-6J package type, wire the following GND pins together: No. 2, No. 4, and No. 5.

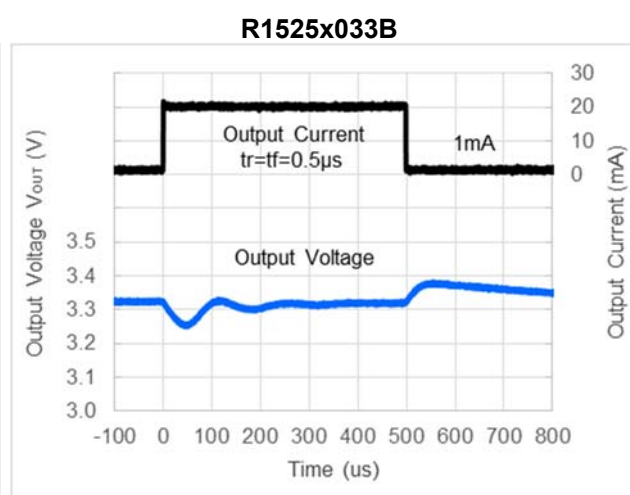
### Input Transient / Load Transient vs. Output Capacity ( $C_{\text{OUT}}$ )

R1525x performs a stable operation by using 0.1  $\mu\text{F}$  of ceramic capacitor as the output capacitor. However, the variation of output voltage may not meet the demand of the system when input voltage and load current vary. In such cases, the variation of output voltage can be minimized significantly by using 10  $\mu\text{F}$  or higher ceramic capacitor. When using an electrolytic capacitor for the output line, place the electrolytic capacitor outer side of the ceramic capacitor arranged close to the IC.

<Input Transient Response>



<Load Transient Response>



---

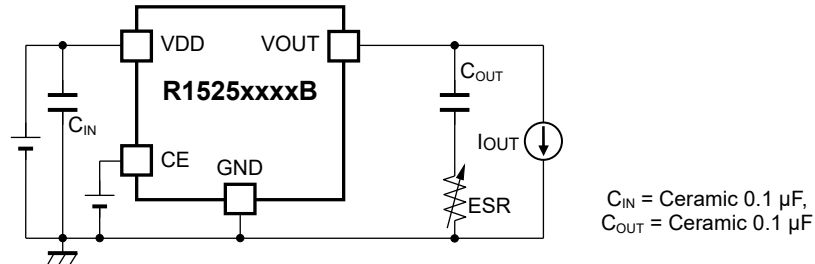
## R1525x

---

NO. EC-520-190109

### ESR vs. Output Current

Using a ceramic type capacitor is recommended for this device, but also other type capacitors having lower ESR can be used. The relation between the output current ( $I_{OUT}$ ) and the ESR of output capacitor is shown below.



### Measurement Conditions

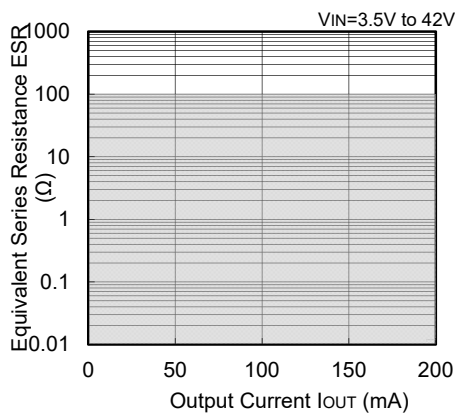
Frequency Band: 10 Hz to 2 MHz

Measurement Temperature:  $-40^{\circ}\text{C}$  to  $125^{\circ}\text{C}$

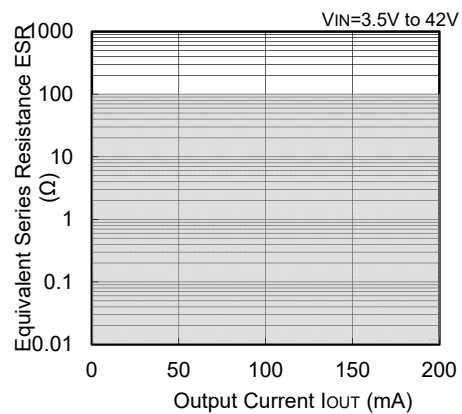
Noise Level in Hatched Area: 40  $\mu$ V (average) or below

Ceramic Capacitors:  $C_{IN}$  = 0.1  $\mu$ F,  $C_{OUT}$  = 0.1  $\mu$ F

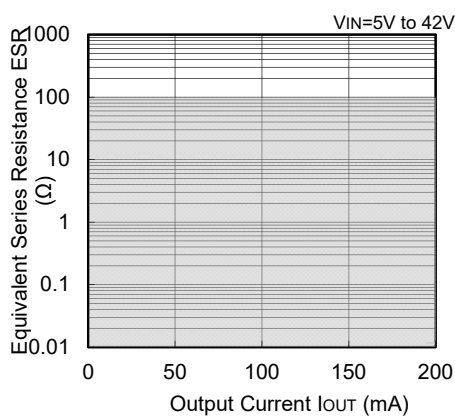
**R1525x018B**



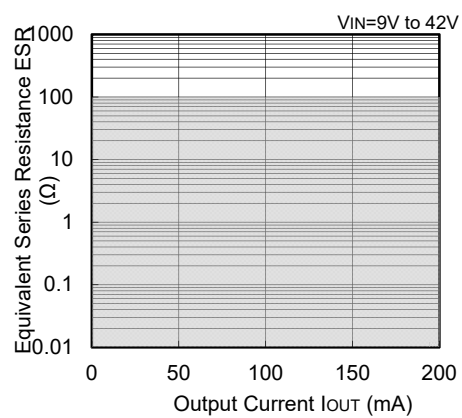
**R1525x033B**



**R1525x050B**



**R1525x090B**

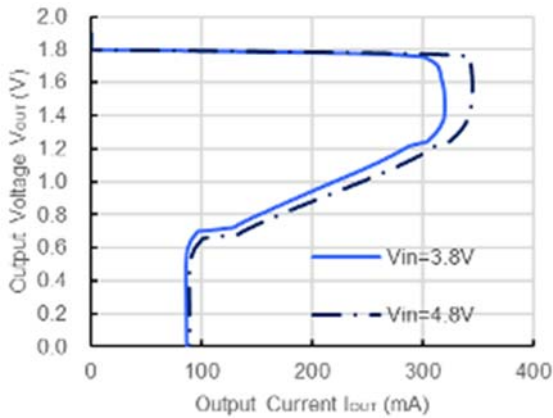


## TYPICAL CHARACTERISTICS

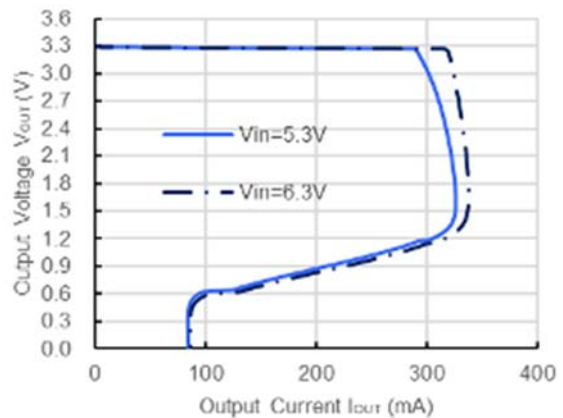
Typical Characteristics are intended to be used as reference data, they are not guaranteed.

### 1) Output Voltage vs. Output Current

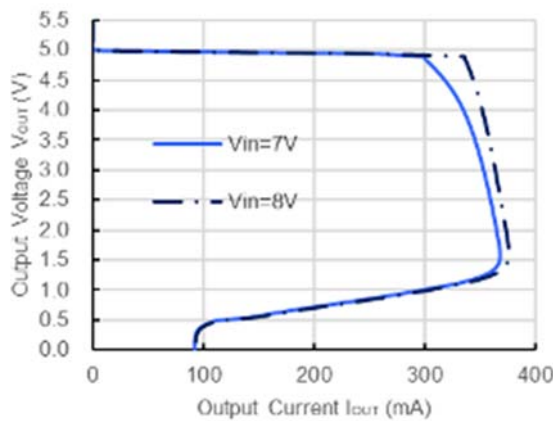
R1525x018B



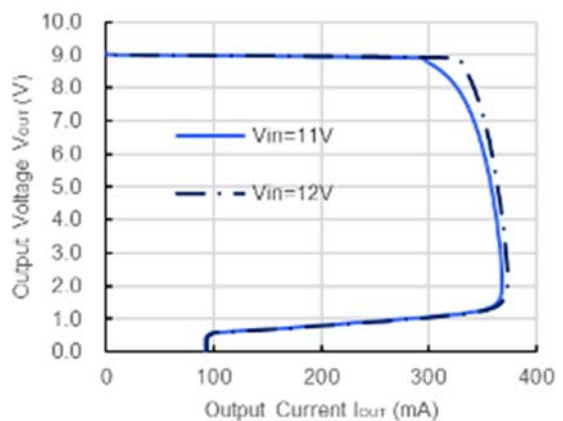
R1525x033B



R1525x050B

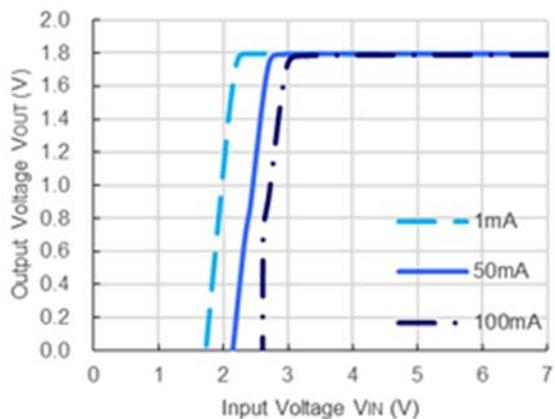


R1525x090B

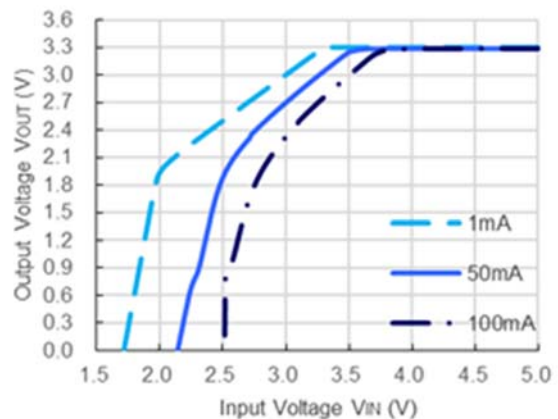


### 2) Output Voltage vs. Input Voltage

R1525x018B



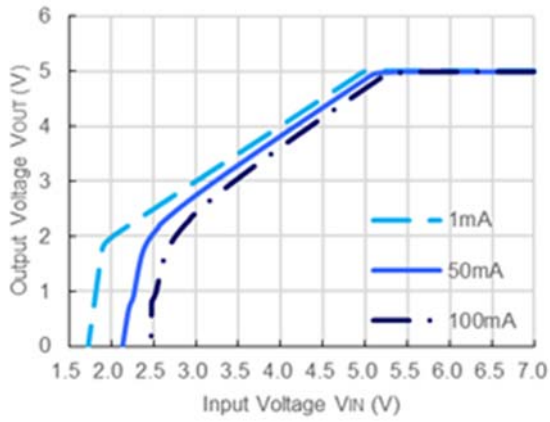
R1525x033B



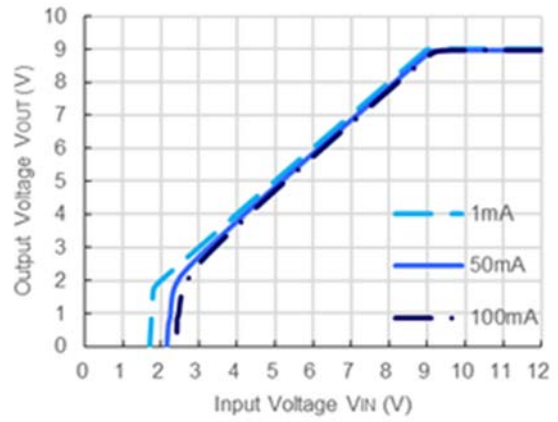
# R1525x

NO. EC-520-190109

R1525x050B

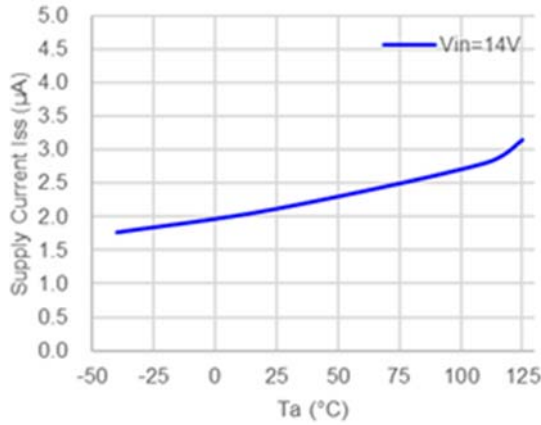


R1525x090B

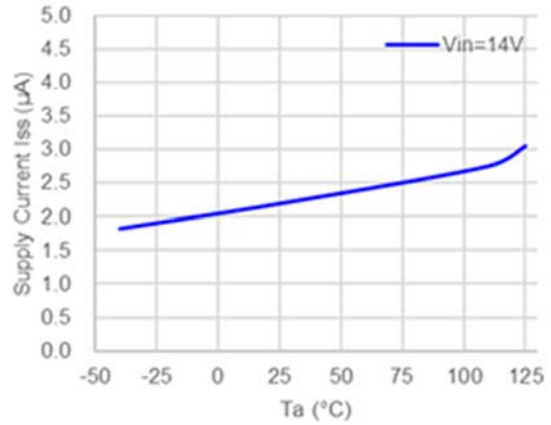


### 3) Supply Current vs. Temperature ( $I_{OUT} = 1.0 \text{ mA}$ )

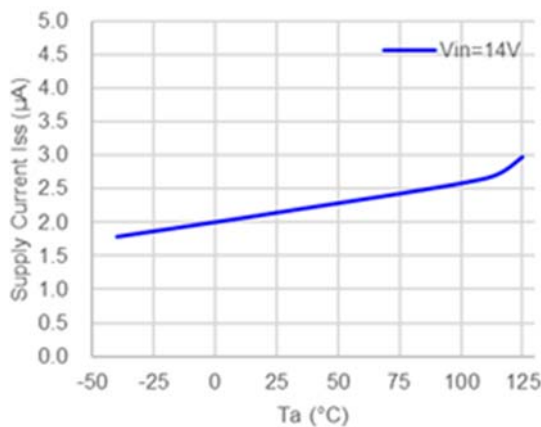
R1525x018B



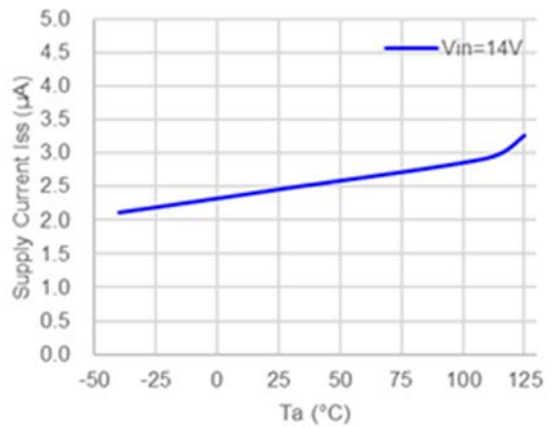
R1525x033B



R1525x050B

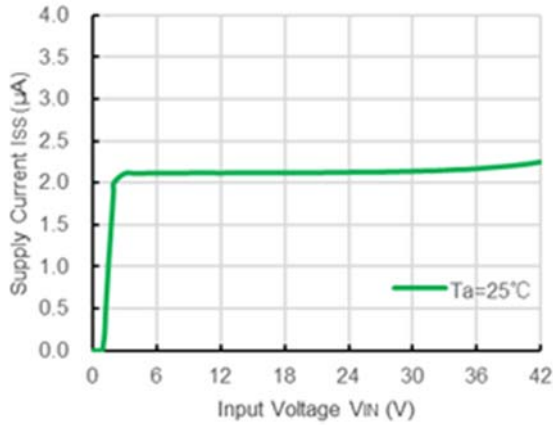


R1525x090B

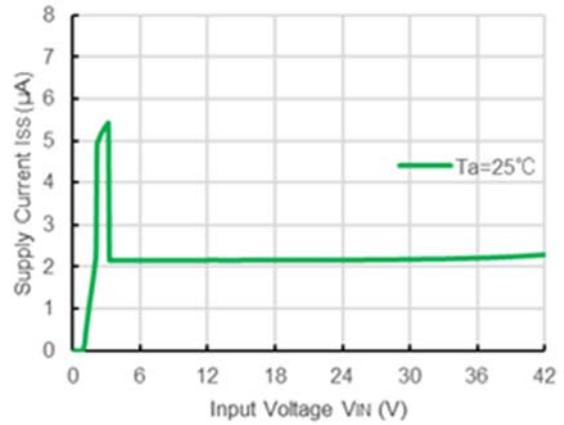


4) Supply Current vs. Input Voltage ( $I_{OUT} = 1.0 \text{ mA}$ )

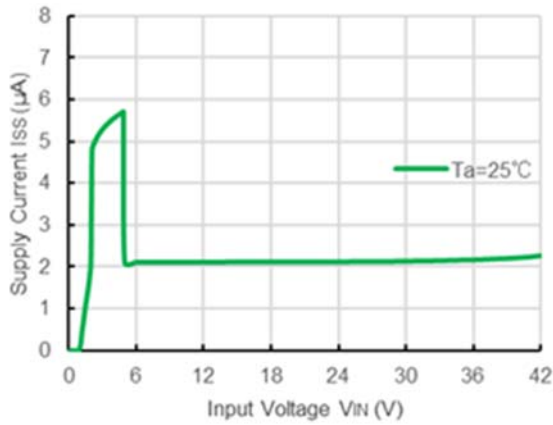
R1525x018B



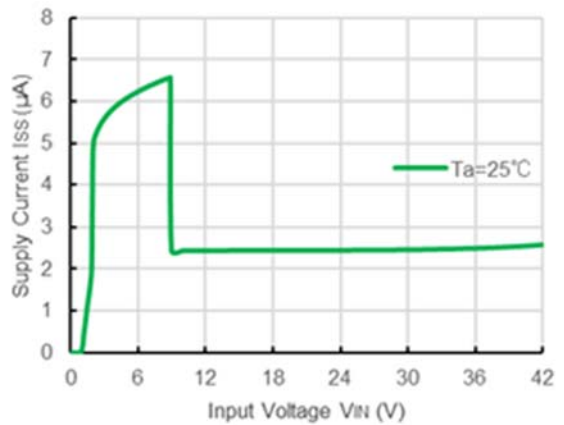
R1525x033B



R1525x050B

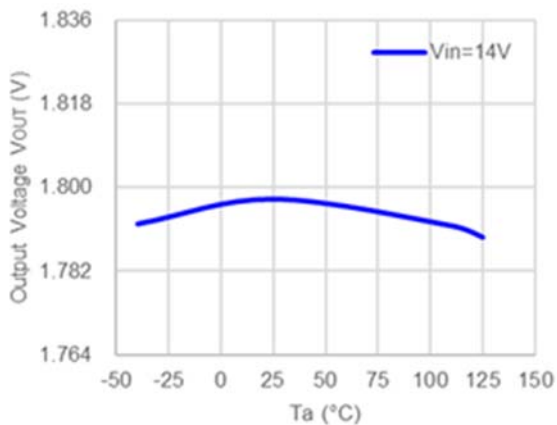


R1525x090B

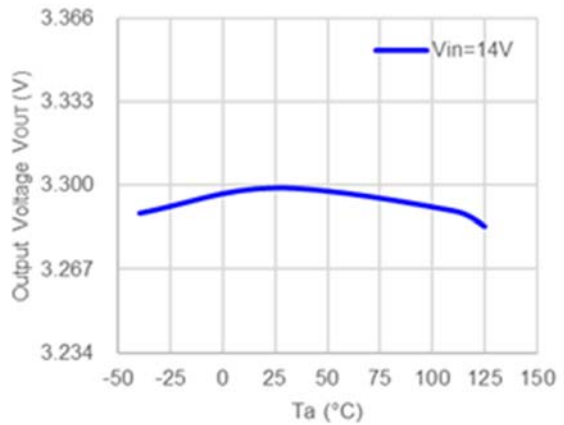


5) Output Voltage vs. Temperature ( $I_{OUT} = 1.0 \text{ mA}$ )

R1525x018B



R1525x033B



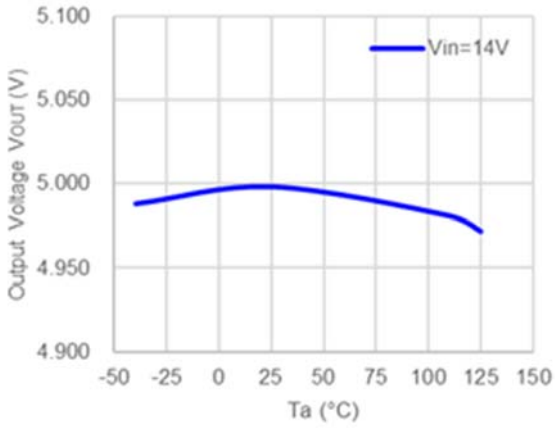
---

## R1525x

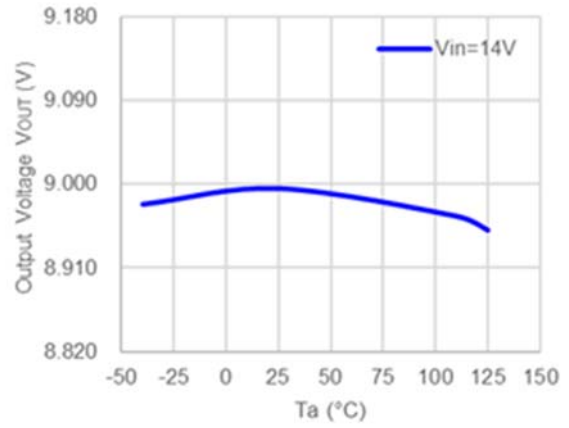
---

NO. EC-520-190109

R1525x050B

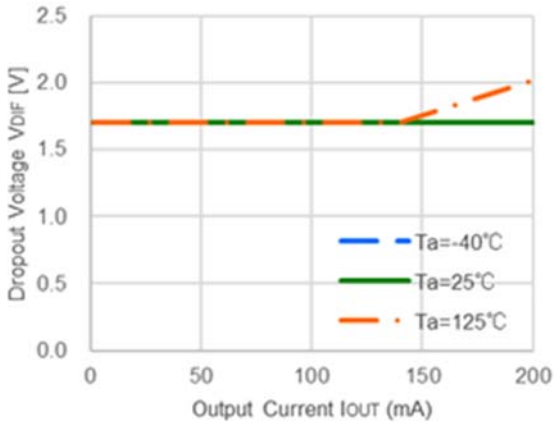


R1525x090B

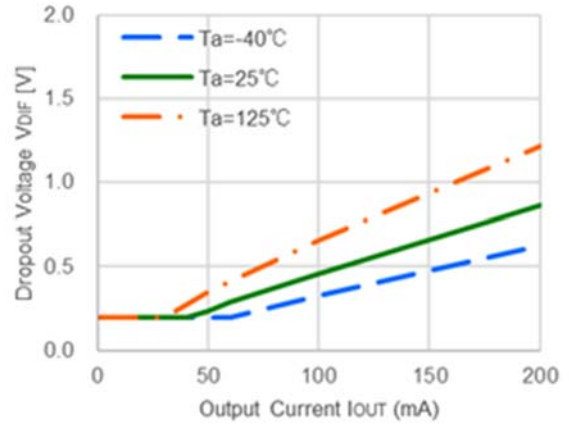


### 6) Dropout Voltage vs. Output Current

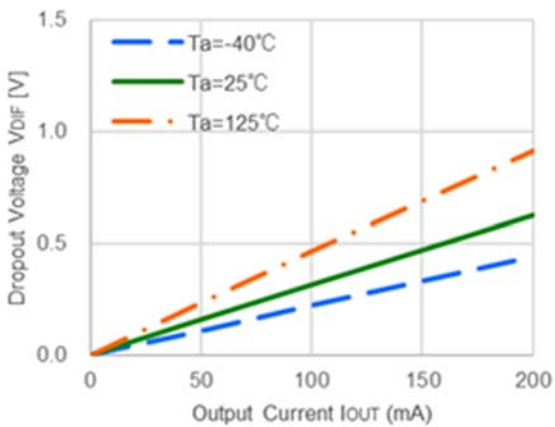
R1525x018B



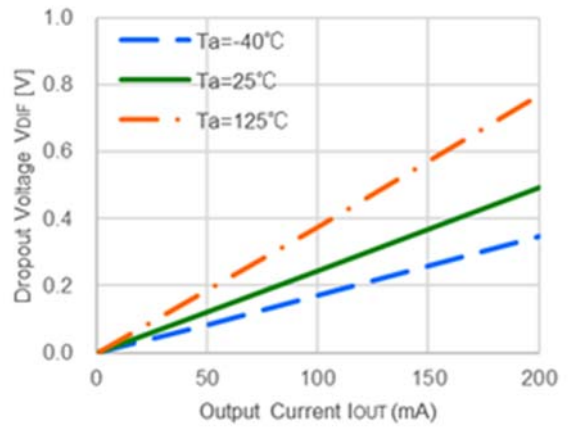
R1525x033B



R1525x050B



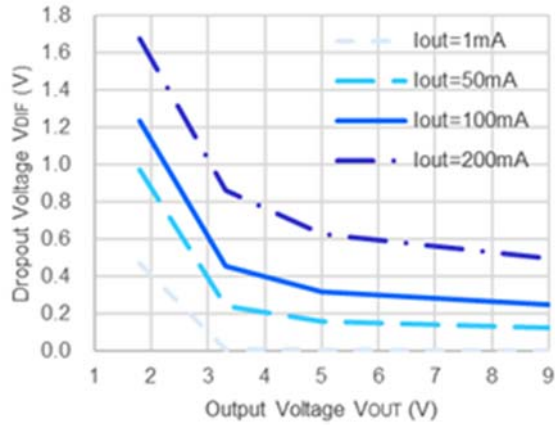
R1525x090B





**7) Dropout Voltage vs. Output Voltage**

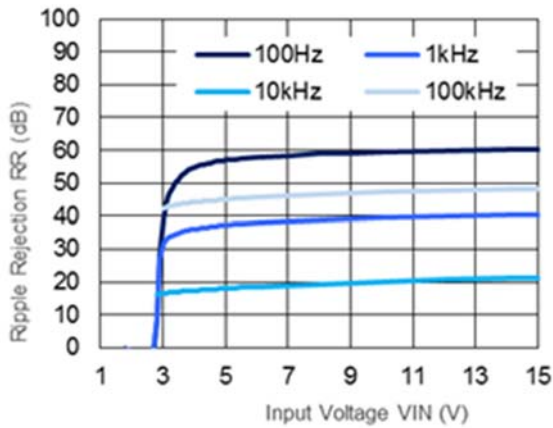
$I_{OUT} = 1\text{ mA} / 50\text{ mA} / 100\text{ mA} / 200\text{ mA}$



**8) Ripple Rejection vs. Input Voltage**

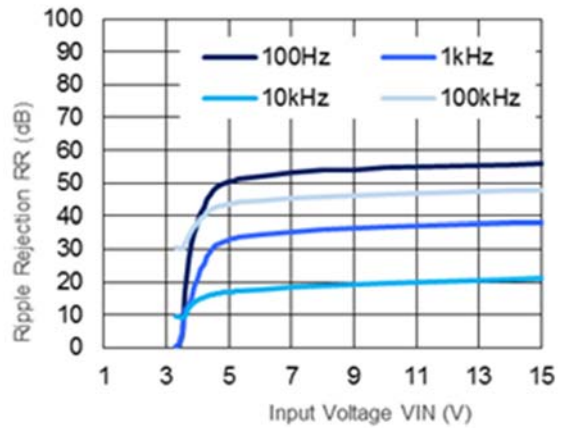
$I_{OUT} = 50\text{ mA}$ ,  $V_{RIPPLE} = \pm 0.2\text{ V}$

R1525x018B



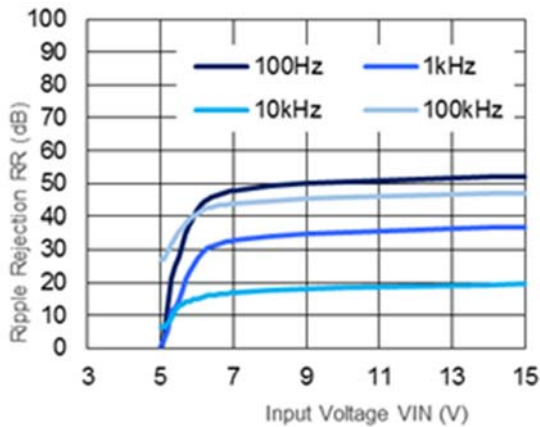
$I_{OUT} = 50\text{ mA}$ ,  $V_{RIPPLE} = \pm 0.2\text{ V}$

R1525x033B



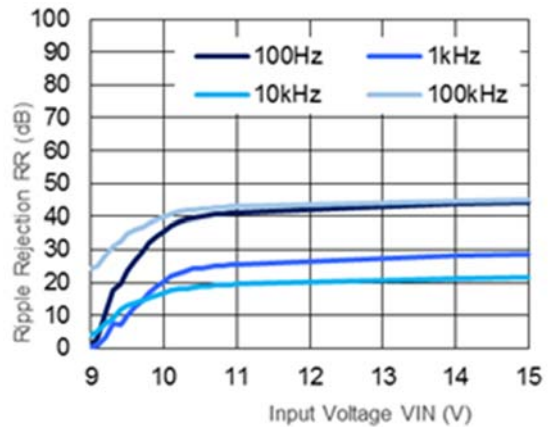
$I_{OUT} = 50\text{ mA}$ ,  $V_{RIPPLE} = \pm 0.2\text{ V}$

R1525x050B



$I_{OUT} = 50\text{ mA}$ ,  $V_{RIPPLE} = \pm 0.2\text{ V}$

R1525x090B



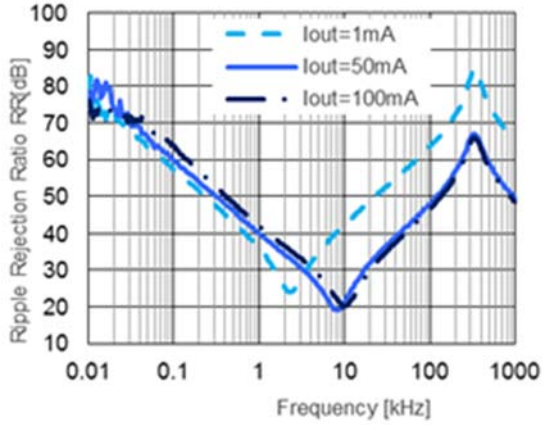
# R1525x

NO. EC-520-190109

## 9) Ripple Rejection vs. Frequency

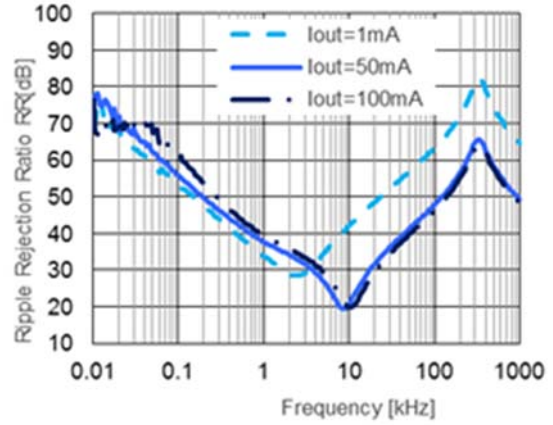
$V_{\text{RIPPLE}} = \pm 0.2 \text{ V}$

R1525x018B



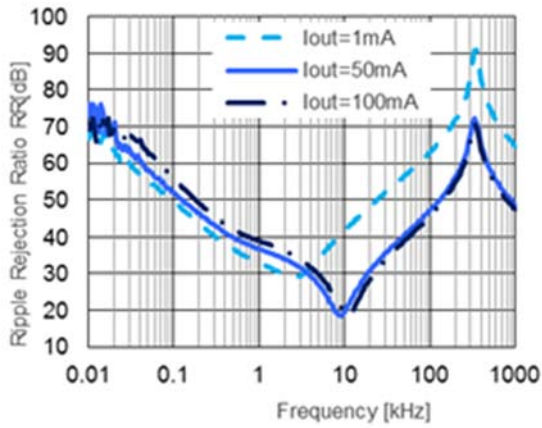
$V_{\text{RIPPLE}} = \pm 0.2 \text{ V}$

R1525x033B



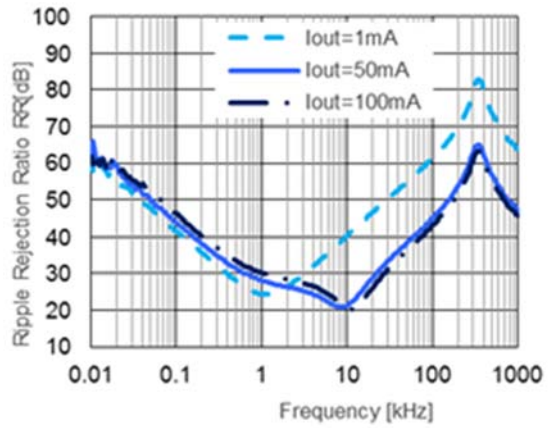
$V_{\text{RIPPLE}} = \pm 0.2 \text{ V}$

R1525x050B



$V_{\text{RIPPLE}} = \pm 0.2 \text{ V}$

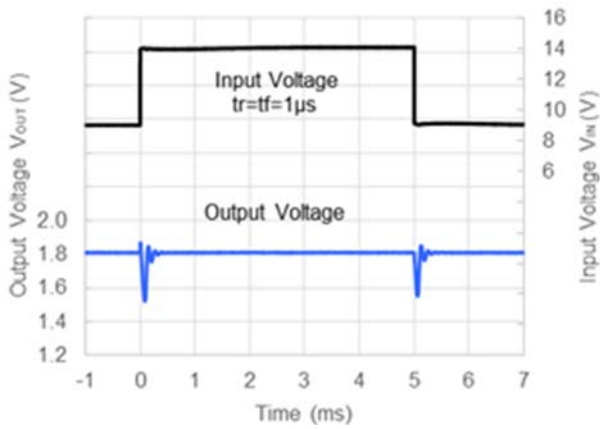
R1525x090B



## 10) Input Transient Response

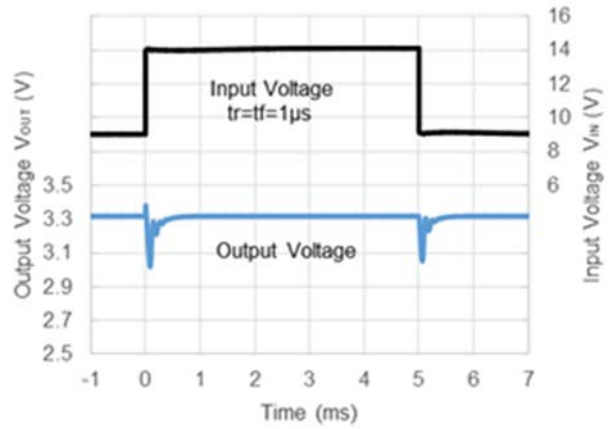
$I_{\text{OUT}} = 50 \text{ mA}$ ,  $C_{\text{OUT}} = 10 \mu\text{F}$

R1525x018B

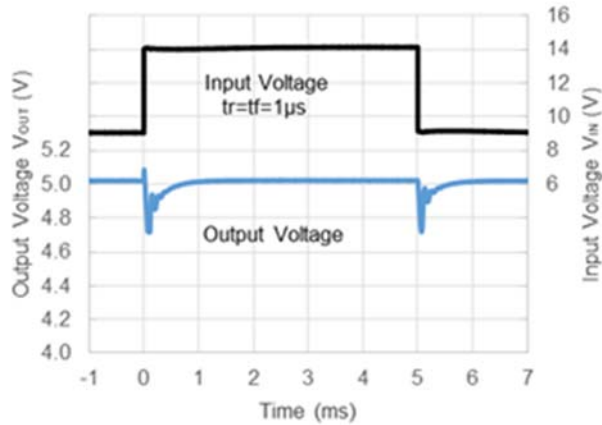


$I_{\text{OUT}} = 50 \text{ mA}$ ,  $C_{\text{OUT}} = 10 \mu\text{F}$

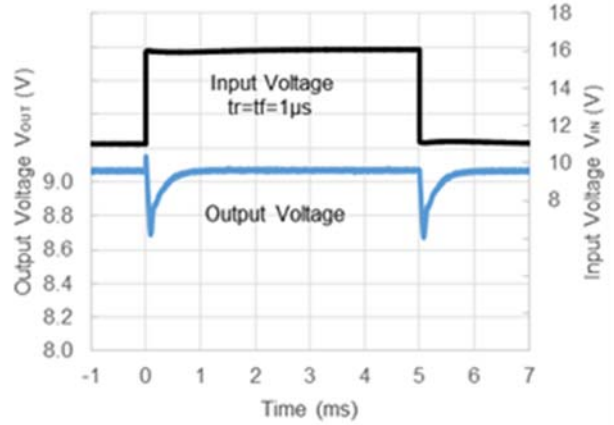
R1525x033B



$I_{OUT} = 50\text{ mA}$ ,  $C_{OUT} = 10\mu\text{F}$   
R1525x050B

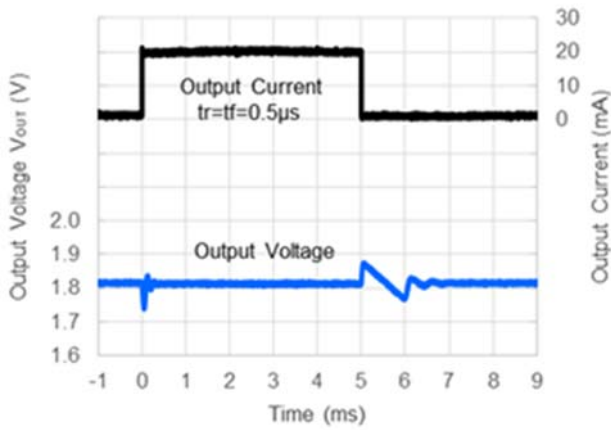


$I_{OUT} = 50\text{ mA}$ ,  $C_{OUT} = 10\mu\text{F}$   
R1525x090B

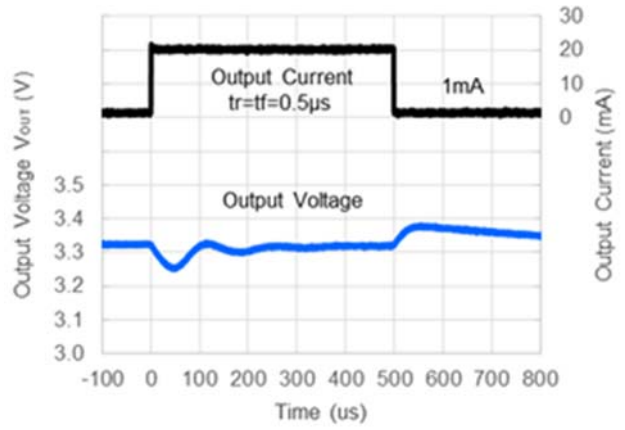


**11) Load Transient Response**

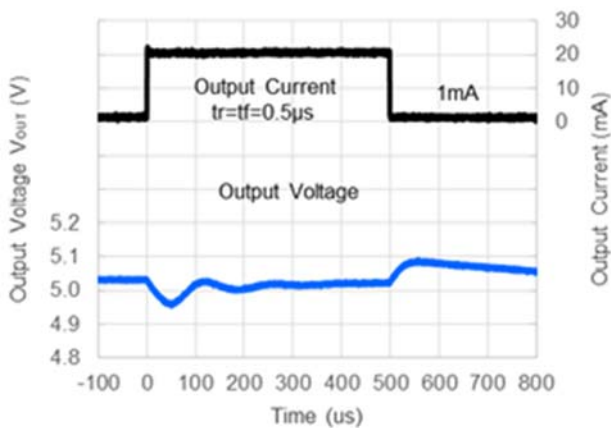
$V_{IN} = 14\text{ V}$ ,  $I_{OUT} = 1.0\text{ mA} \rightarrow 20\text{ mA}$ ,  $C_{OUT} = 10\mu\text{F}$   
R1525x018B



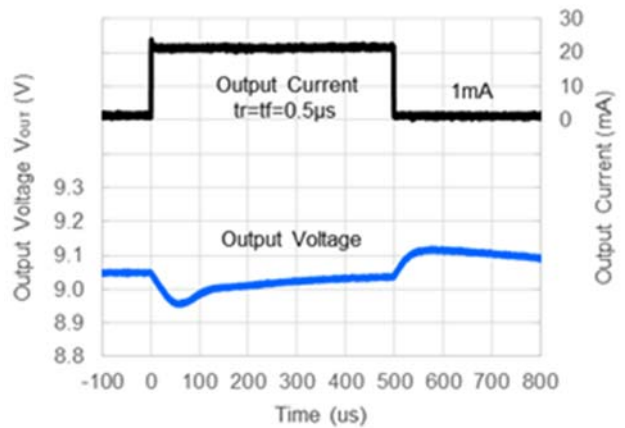
$V_{IN} = 14\text{ V}$ ,  $I_{OUT} = 1.0\text{ mA} \rightarrow 20\text{ mA}$ ,  $C_{OUT} = 10\mu\text{F}$   
R1525x033B



$V_{IN} = 14\text{ V}$ ,  $I_{OUT} = 1.0\text{ mA} \rightarrow 20\text{ mA}$ ,  $C_{OUT} = 10\mu\text{F}$   
R1525x050B



$V_{IN} = 14\text{ V}$ ,  $I_{OUT} = 1.0\text{ mA} \rightarrow 20\text{ mA}$ ,  $C_{OUT} = 10\mu\text{F}$   
R1525x090B

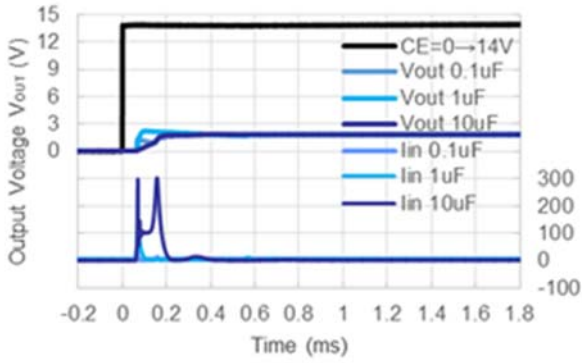


# R1525x

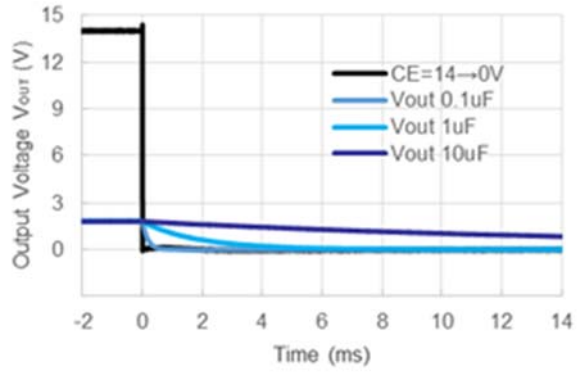
NO. EC-520-190109

## 12) CE Transient Response

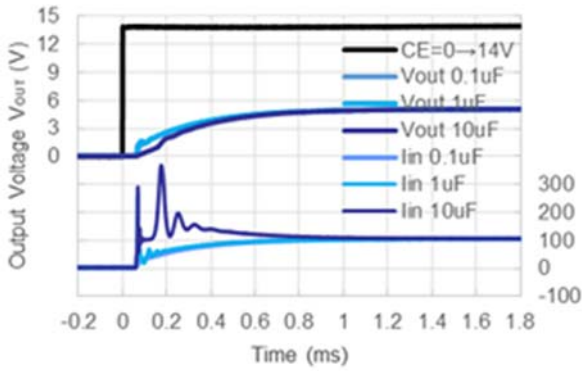
$V_{IN} = 14\text{ V}$ ,  $CE = 0\text{ V} \rightarrow 14\text{ V}$   
R1525x018B



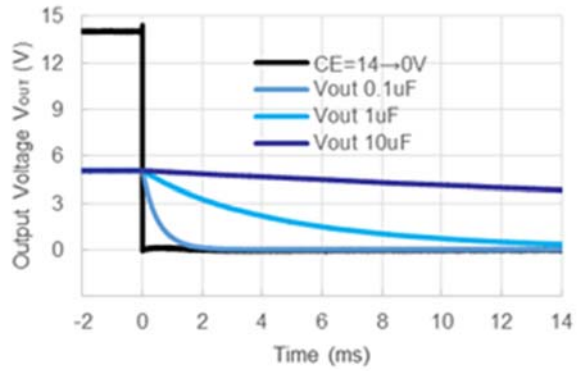
$V_{IN} = 14\text{ V}$ ,  $CE = 0\text{ V} \rightarrow 14\text{ V}$   
R1525x018B



$V_{IN} = 14\text{ V}$ ,  $CE = 0\text{ V} \rightarrow 14\text{ V}$   
R1525x050B

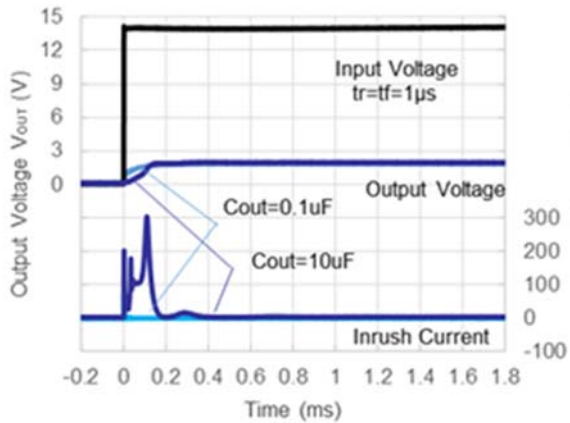


$V_{IN} = 14\text{ V}$ ,  $V_{OUT} = 5.0\text{ V}$   
R1525x050B

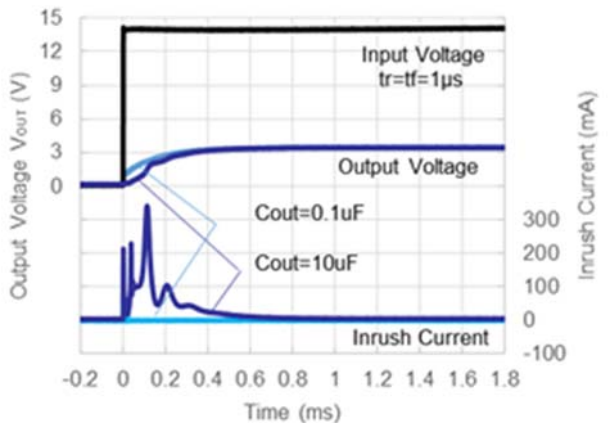


## 13) Power-on Transient Response

$V_{IN} = 0\text{ V} \rightarrow 14\text{ V}$ ,  $V_{CE} = 5\text{ V}$   
R1525x018B

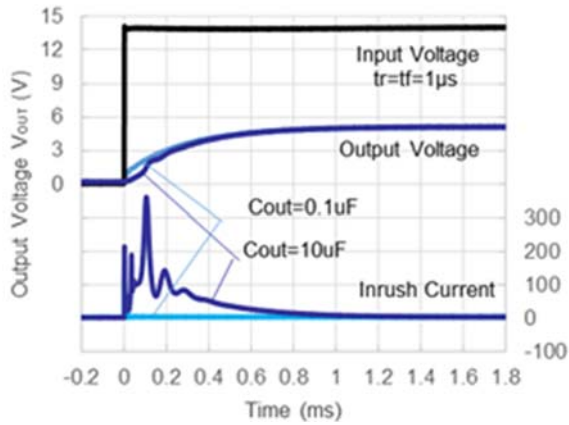


$V_{IN} = 0\text{ V} \rightarrow 14\text{ V}$ ,  $V_{CE} = 5\text{ V}$   
R1525x033B

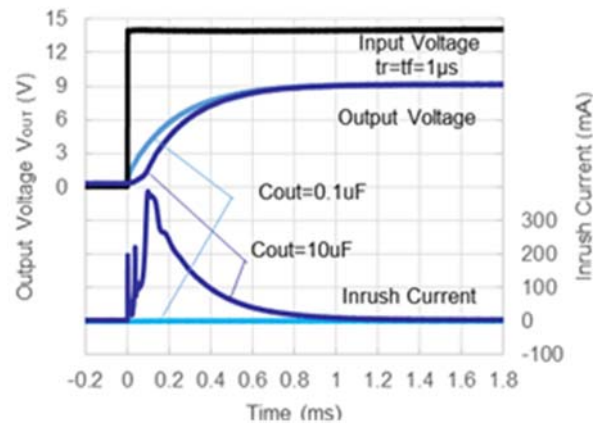


$V_{IN} = 0\text{ V} \rightarrow 14\text{ V}$ ,  $V_{CE} = 5\text{ V}$

R1525x050B



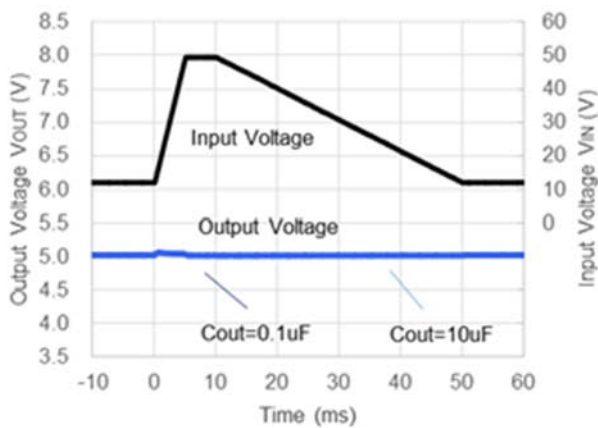
R1525x090B



**14) Load Dump**

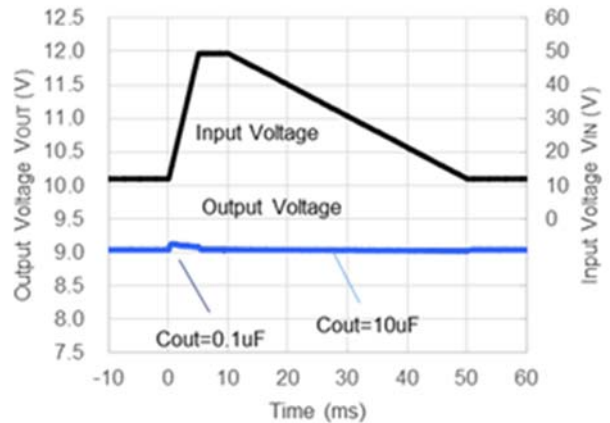
$V_{IN} = 12\text{ V} \rightarrow 50\text{ V}$ ,  $V_{CE} = V_{IN}$ ,  $I_{OUT} = 1.0\text{ mA}$

R1525x050B



$V_{IN} = 12\text{ V} \rightarrow 50\text{ V}$ ,  $V_{CE} = V_{IN}$ ,  $I_{OUT} = 1.0\text{ mA}$

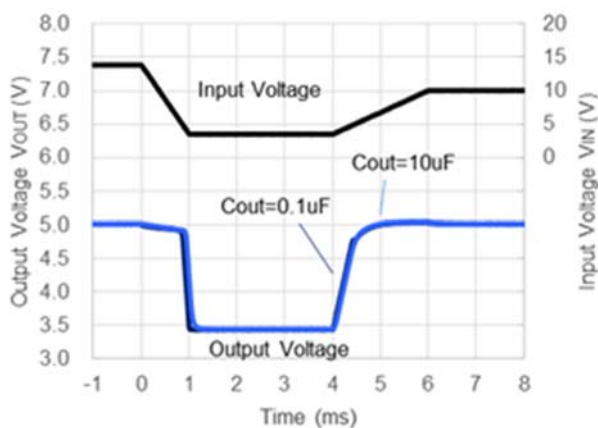
R1525x090B



**15) Cranking**

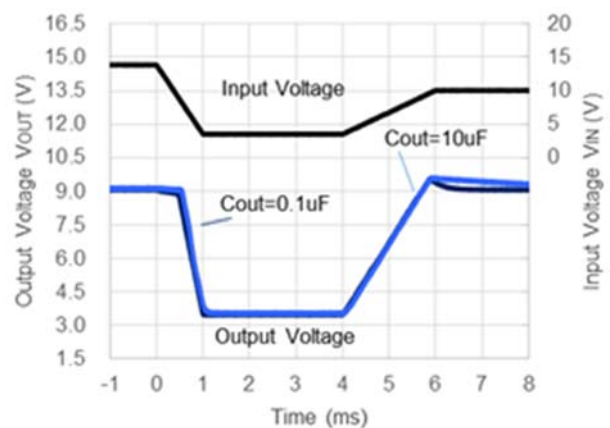
$V_{IN} = 14\text{ V} \rightarrow 3.5\text{ V} \rightarrow 10\text{ V}$ ,  $I_{OUT} = 1.0\text{ mA}$

R1525x050B



$V_{IN} = 14\text{ V} \rightarrow 3.5\text{ V} \rightarrow 10\text{ V}$ ,  $I_{OUT} = 1.0\text{ mA}$

R1525x090B



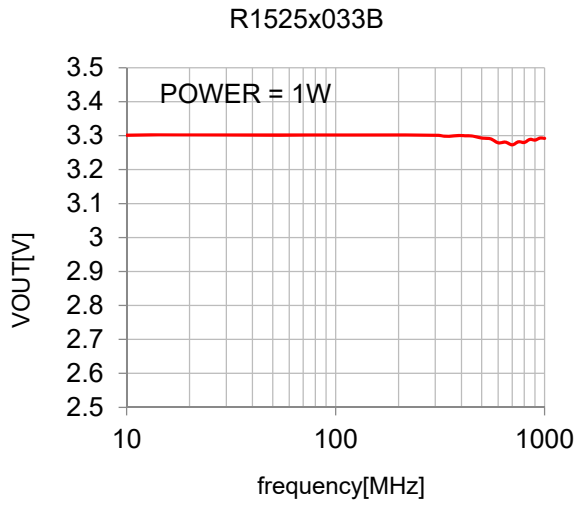
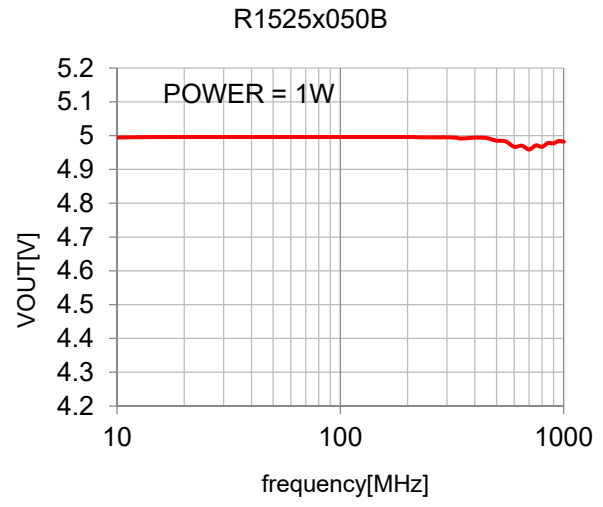


---

**R1525x**

---

NO. EC-520-190109

**16) DPI (VOUT Pin impressed at 1W)** $V_{IN} = 14\text{ V}$  $V_{IN} = 14\text{ V}$ 

The power dissipation of the package is dependent on PCB material, layout, and environmental conditions. The following measurement conditions are based on JEDEC STD. 51-7.

**Measurement Conditions**

Item	Measurement Conditions
Environment	Mounting on Board (Wind Velocity = 0 m/s)
Board Material	Glass Cloth Epoxy Plastic (Four-Layer Board)
Board Dimensions	76.2 mm × 114.3 mm × 0.8 mm
Copper Ratio	Outer Layer (First Layer): Less than 95% of 50 mm Square Inner Layers (Second and Third Layers): Approx. 100% of 50 mm Square Outer Layer (Fourth Layer): Approx. 100% of 50 mm Square
Through-holes	φ 0.3 mm × 28 pcs

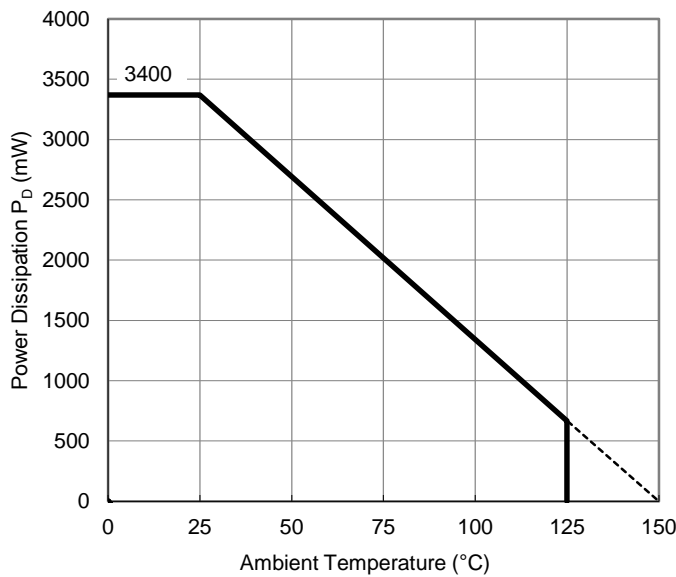
**Measurement Result**

(Ta = 25°C, Tjmax = 150°C)

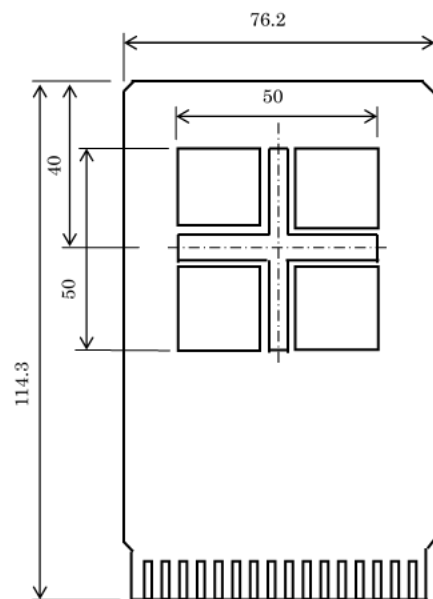
Item	Measurement Result
Power Dissipation	3400 mW
Thermal Resistance ( $\theta_{ja}$ )	$\theta_{ja} = 37^{\circ}\text{C/W}$
Thermal Characterization Parameter ( $\psi_{jt}$ )	$\psi_{jt} = 7^{\circ}\text{C/W}$

$\theta_{ja}$ : Junction-to-Ambient Thermal Resistance

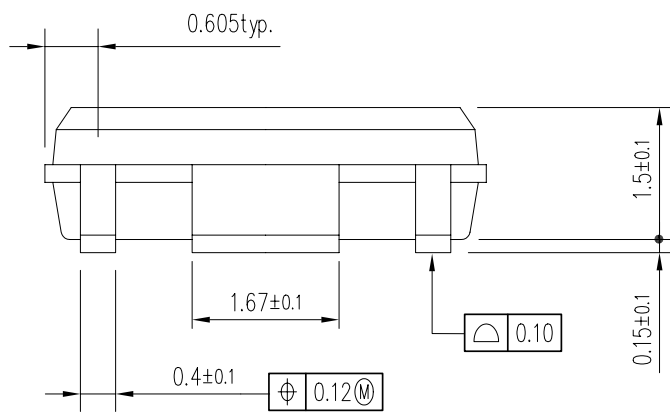
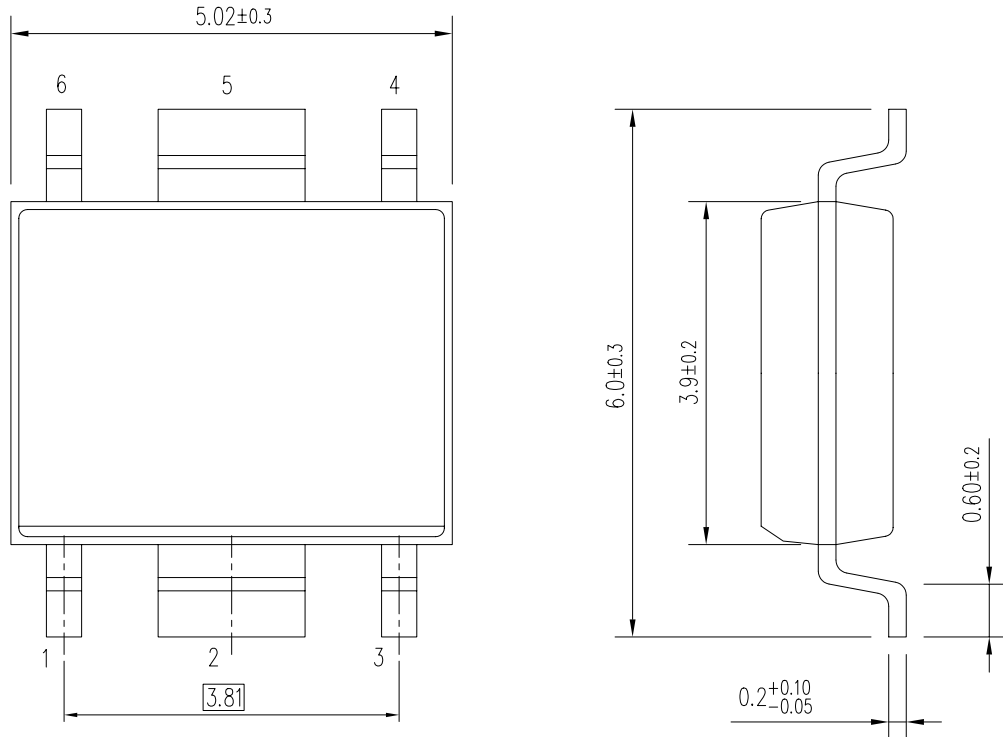
$\psi_{jt}$ : Junction-to-Top Thermal Characterization Parameter



**Power Dissipation vs. Ambient Temperature**



**Measurement Board Pattern**



UNIT: mm

HSOP-6J Package Dimensions



The power dissipation of the package is dependent on PCB material, layout, and environmental conditions. The following measurement conditions are based on JEDEC STD. 51-7.

**Measurement Conditions**

Item	Measurement Conditions
Environment	Mounting on Board (Wind Velocity = 0 m/s)
Board Material	Glass Cloth Epoxy Plastic (Four-Layer Board)
Board Dimensions	76.2 mm × 114.3 mm × 0.8 mm
Copper Ratio	Outer Layer (First Layer): Less than 95% of 50 mm Square Inner Layers (Second and Third Layers): Approx. 100% of 50 mm Square Outer Layer (Fourth Layer): Approx. 100% of 50 mm Square
Through-holes	φ 0.3 mm × 21 pcs

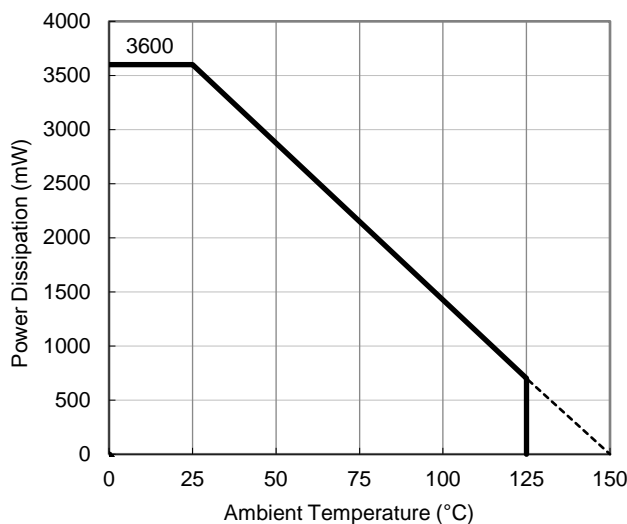
**Measurement Result**

(Ta = 25°C, Tjmax = 150°C)

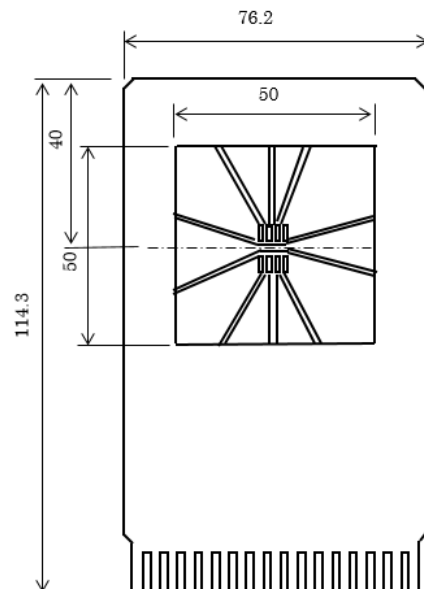
Item	Measurement Result
Power Dissipation	3600 mW
Thermal Resistance (θja)	θja = 34.5°C/W
Thermal Characterization Parameter (ψjt)	ψjt = 10°C/W

θja: Junction-to-Ambient Thermal Resistance

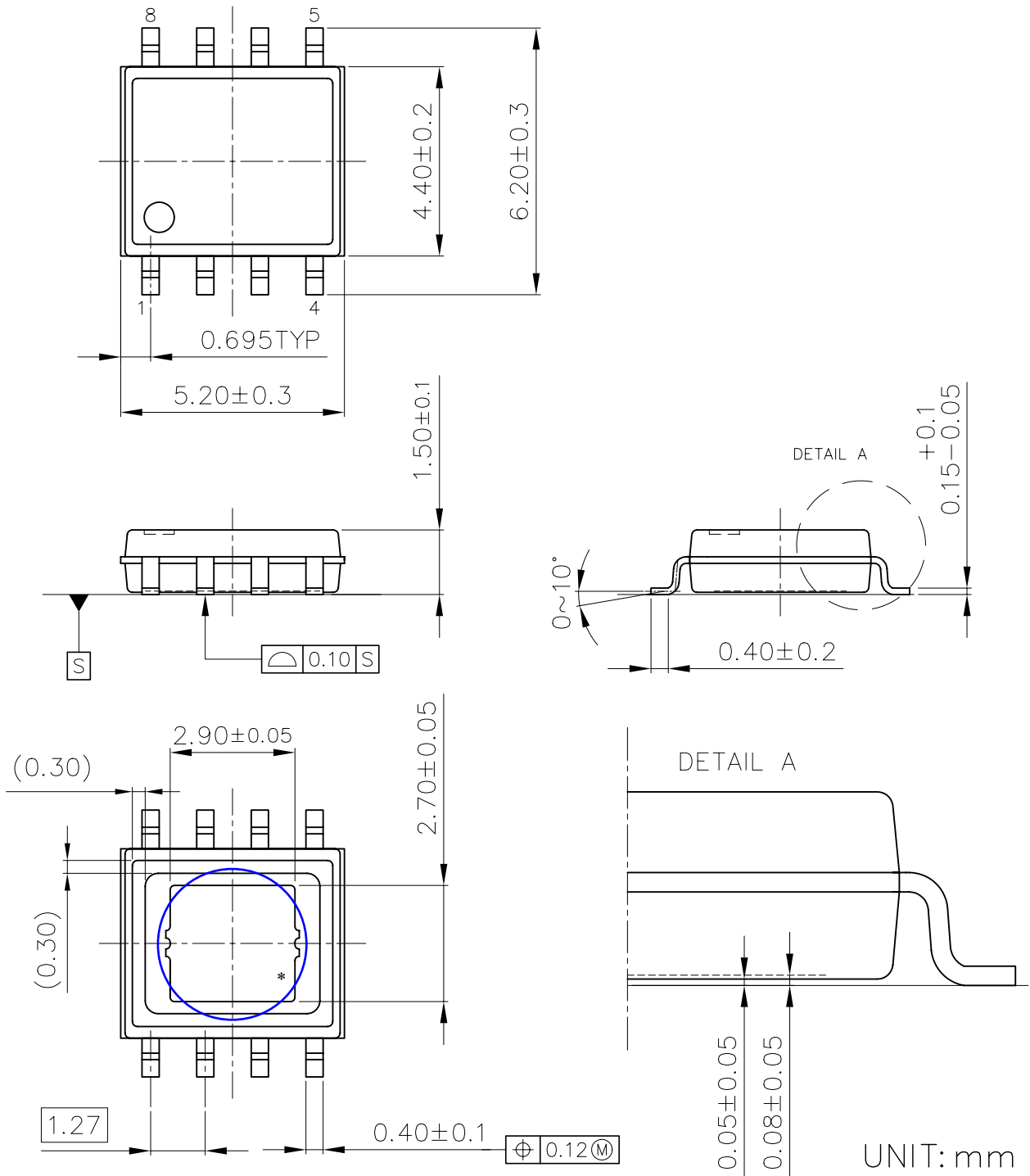
ψjt: Junction-to-Top Thermal Characterization Parameter



**Power Dissipation vs. Ambient Temperature**



**Measurement Board Pattern**



HSOP-8E Package Dimensions

\* The tab on the bottom of the package shown by blue circle is substrate potential (GND). It is recommended that this tab be connected to the ground plane on the board but it is possible to leave the tab floating.



1. The products and the product specifications described in this document are subject to change or discontinuation of production without notice for reasons such as improvement. Therefore, before deciding to use the products, please refer to Ricoh sales representatives for the latest information thereon.
2. The materials in this document may not be copied or otherwise reproduced in whole or in part without prior written consent of Ricoh.
3. Please be sure to take any necessary formalities under relevant laws or regulations before exporting or otherwise taking out of your country the products or the technical information described herein.
4. The technical information described in this document shows typical characteristics of and example application circuits for the products. The release of such information is not to be construed as a warranty of or a grant of license under Ricoh's or any third party's intellectual property rights or any other rights.
5. The products in this document are designed for automotive applications. However, when using the products for automotive applications, please make sure to contact Ricoh sales representative in advance due to confirming the quality level.
6. We are making our continuous effort to improve the quality and reliability of our products, but semiconductor products are likely to fail with certain probability. In order to prevent any injury to persons or damages to property resulting from such failure, customers should be careful enough to incorporate safety measures in their design, such as redundancy feature, fire containment feature and fail-safe feature. We do not assume any liability or responsibility for any loss or damage arising from misuse or inappropriate use of the products.
7. Anti-radiation design is not implemented in the products described in this document.
8. The X-ray exposure can influence functions and characteristics of the products. Confirm the product functions and characteristics in the evaluation stage.
9. WLCSP products should be used in light shielded environments. The light exposure can influence functions and characteristics of the products under operation or storage.
10. There can be variation in the marking when different AOI (Automated Optical Inspection) equipment is used. In the case of recognizing the marking characteristic with AOI, please contact Ricoh sales or our distributor before attempting to use AOI.
11. Please contact Ricoh sales representatives should you have any questions or comments concerning the products or the technical information.



**Ricoh is committed to reducing the environmental loading materials in electrical devices with a view to contributing to the protection of human health and the environment.**

Ricoh has been providing RoHS compliant products since April 1, 2006 and Halogen-free products since April 1, 2012.

**RICOH** RICOH ELECTRONIC DEVICES CO., LTD.

<https://www.e-devices.ricoh.co.jp/en/>

#### Sales & Support Offices

##### **Ricoh Electronic Devices Co., Ltd.**

##### **Shin-Yokohama Office (International Sales)**

2-3, Shin-Yokohama 3-chome, Kohoku-ku, Yokohama-shi, Kanagawa, 222-8530, Japan  
Phone: +81-50-3814-7687 Fax: +81-45-474-0074

##### **Ricoh Americas Holdings, Inc.**

675 Campbell Technology Parkway, Suite 200 Campbell, CA 95008, U.S.A.  
Phone: +1-408-610-3105

##### **Ricoh Europe (Netherlands) B.V.**

##### **Semiconductor Support Centre**

Prof. W.H. Keesomlaan 1, 1183 DJ Amstelveen, The Netherlands  
Phone: +31-20-5474-309

##### **Ricoh International B.V. - German Branch**

##### **Semiconductor Sales and Support Centre**

Oberrather Strasse 6, 40472 Düsseldorf, Germany  
Phone: +49-211-6546-0

##### **Ricoh Electronic Devices Korea Co., Ltd.**

3F, Haesung Bldg, 504, Teheran-ro, Gangnam-gu, Seoul, 135-725, Korea  
Phone: +82-2-2135-5700 Fax: +82-2-2051-5713

##### **Ricoh Electronic Devices Shanghai Co., Ltd.**

Room 403, No.2 Building, No.690 Bibo Road, Pu Dong New District, Shanghai 201203, People's Republic of China  
Phone: +86-21-5027-3200 Fax: +86-21-5027-3299

##### **Ricoh Electronic Devices Shanghai Co., Ltd. Shenzhen Branch**

1205, Block D (Jinlong Building), Kingkey 100, Hongbao Road, Luohu District, Shenzhen, China  
Phone: +86-755-8348-7600 Ext 225

##### **Ricoh Electronic Devices Co., Ltd.**

##### **Taipei office**

Room 109, 10F-1, No.51, Hengyang Rd., Taipei City, Taiwan  
Phone: +886-2-2313-1621/1622 Fax: +886-2-2313-1623

# Mouser Electronics

Authorized Distributor

Click to View Pricing, Inventory, Delivery & Lifecycle Information:

## Ricoh Electronics:

[R1525N033B-TR-KE](#) [R1525S033B-E2-KE](#) [R1525S055B-E2-KE](#) [R1525N050B-TR-KE](#) [R1525S050B-E2-KE](#)  
[R1525S060B-E2-KE](#)

Компания «Океан Электроники» предлагает заключение долгосрочных отношений при поставках импортных электронных компонентов на взаимовыгодных условиях!

Наши преимущества:

- Поставка оригинальных импортных электронных компонентов напрямую с производств Америки, Европы и Азии, а так же с крупнейших складов мира;
- Широкая линейка поставок активных и пассивных импортных электронных компонентов (более 30 млн. наименований);
- Поставка сложных, дефицитных, либо снятых с производства позиций;
- Оперативные сроки поставки под заказ (от 5 рабочих дней);
- Экспресс доставка в любую точку России;
- Помощь Конструкторского Отдела и консультации квалифицированных инженеров;
- Техническая поддержка проекта, помощь в подборе аналогов, поставка прототипов;
- Поставка электронных компонентов под контролем ВП;
- Система менеджмента качества сертифицирована по Международному стандарту ISO 9001;
- При необходимости вся продукция военного и аэрокосмического назначения проходит испытания и сертификацию в лаборатории (по согласованию с заказчиком);
- Поставка специализированных компонентов военного и аэрокосмического уровня качества (Xilinx, Altera, Analog Devices, Intersil, Interpoint, Microsemi, Actel, Aeroflex, Peregrine, VPT, Syfer, Eurofarad, Texas Instruments, MS Kennedy, Miteq, Cobham, E2V, MA-COM, Hittite, Mini-Circuits, General Dynamics и др.);

Компания «Океан Электроники» является официальным дистрибьютором и эксклюзивным представителем в России одного из крупнейших производителей разъемов военного и аэрокосмического назначения «JONHON», а так же официальным дистрибьютором и эксклюзивным представителем в России производителя высокотехнологичных и надежных решений для передачи СВЧ сигналов «FORSTAR».



## JONHON

«JONHON» (основан в 1970 г.)

Разъемы специального, военного и аэрокосмического назначения:

(Применяются в военной, авиационной, аэрокосмической, морской, железнодорожной, горно- и нефтедобывающей отраслях промышленности)

«FORSTAR» (основан в 1998 г.)

ВЧ соединители, коаксиальные кабели, кабельные сборки и микроволновые компоненты:

(Применяются в телекоммуникациях гражданского и специального назначения, в средствах связи, РЛС, а так же военной, авиационной и аэрокосмической отраслях промышленности).



Телефон: 8 (812) 309-75-97 (многоканальный)

Факс: 8 (812) 320-03-32

Электронная почта: [ocean@oceanchips.ru](mailto:ocean@oceanchips.ru)

Web: <http://oceanchips.ru/>

Адрес: 198099, г. Санкт-Петербург, ул. Калинина, д. 2, корп. 4, лит. А