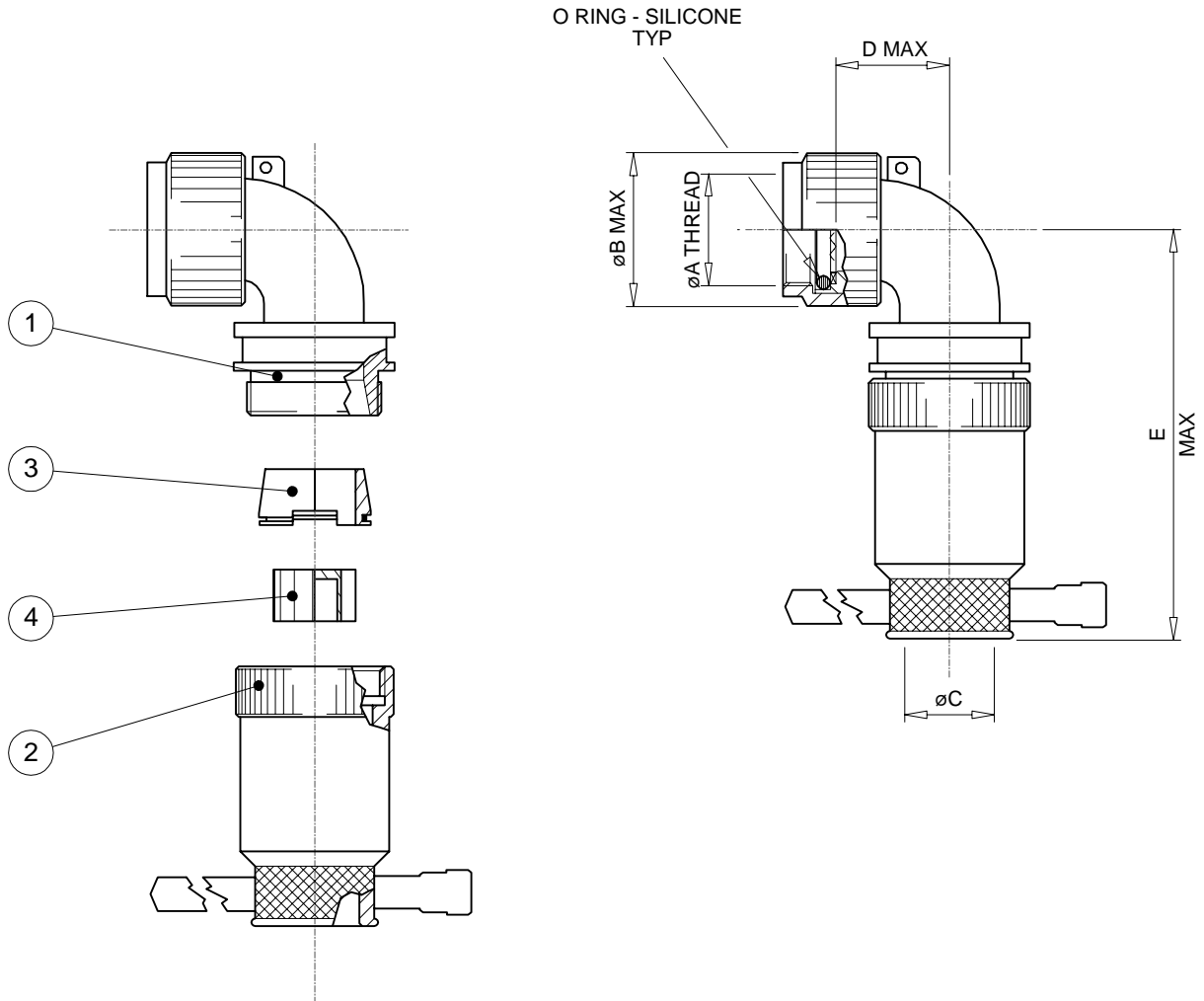


# SPECIFICATION CONTROL DRAWING

REV:  
1



DATE:  
MAR 16, 2005



## KIT DESCRIPTION

ITEM	DESCRIPTION	MATERIAL
1	BODY ASSEMBLY - 90° SWEPT	ALUMINIUM ALLOY
2	CLAMPING NUT ASSEMBLY - BANDSTRAP	ALUMINIUM ALLOY/STAINLESS STEEL
3	CONIC RING	ALUMINIUM ALLOY
4	STAR	ALUMINIUM ALLOY

© 2005 Tyco Electronics Corporation. All rights reserved.

		 300 Constitution Drive Menlo Park, CA 94025, USA		TITLE: <b>HEXASHIELD SWEPT ADAPTOR                  FOR CODE 40 CONNECTORS                  BANDSTRAP CLAMPING NUT</b>		
UNLESS OTHERWISE SPECIFIED DIMENSIONS ARE IN MILLIMETERS. INCH DIMENSIONS ARE SHOWN IN BRACKETS		Tyco Electronics reserves the right to amend this drawing at any time. Users should evaluate the suitability of the product for their application.		DOCUMENT NO. <b>HEX40-AY-90S-AYY-3-YY</b>		
DRAWN: IRT	DATE: MAR 05	CAGE CODE: 06090	DCR # D050093	FILE: 87002/90S-3	SCALE: NONE	SHEET: 1 OF 4

If this document is printed it becomes uncontrolled. Check for the latest revision.

# SPECIFICATION CONTROL DRAWING

 REV:  
1

 DATE:  
MAR 16, 2005

## TABLE OF DIMENSIONS

Order Number	Shell Size		ØA Thread Class 6H	ØB Max	ØC ±0.10 [±.004"]	D Max	E Max	Ferrule Quantity	
	Mil.	Com.						Std.	Optional
09	A	09	M12 x 1	19.0 [0.75"]	8.00 [0.315"]	15.0 [0.59"]	54.0 [2.13"]	1	-
11	B	11	M15 x 1	22.0 [0.87"]	13.5 [0.531"]	16.0 [0.63"]	56.0 [2.20"]	2	-
13	C	13	M18 x 1	25.5 [1.00"]	15.00 [0.591"]	19.0 [0.75"]	56.0 [2.20"]	3	-
15	D	15	M22 x 1	30.5 [1.20"]	18.00 [0.709"]	19.0 [0.75"]	59.0 [2.32"]	5	-
17	E	17	M25 x 1	33.5 [1.32"]	21.00 [0.827"]	21.0 [0.83"]	61.0 [2.40"]	6	7
19	F	19	M28 x 1	37.0 [1.46"]	24.00 [0.945"]	23.0 [0.91"]	63.0 [2.48"]	7	8
21	G	21	M31 x 1	38.5 [1.52"]	27.00 [1.063"]	23.0 [0.91"]	65.0 [2.56"]	9	11
23	H	23	M34 x 1	42.0 [1.65"]	30.00 [1.181"]	28.0 [1.10"]	67.0 [2.64"]	10	11, 12 13, 15
25	J	25	M37 x 1	46.5 [1.83"]	33.00 [1.299"]	28.0 [1.10"]	67.0 [2.64"]	12	13, 14, 15, 17, 18

## PART NUMBERING

HEX40 - A B - 90S - 21 - A9 - 3 - DS

- CONNECTOR CODE NUMBER \_\_\_\_\_  
HEX40 = MIL-C-38999 SERIES III AND IV
- MATERIAL CODE: \_\_\_\_\_  
A = ALUMINIUM ALLOY
- PLATING CODE: \_\_\_\_\_  
B = CADMIUM OLIVE DRAB TO SAE-AMS-QQ-P-416  
C = ELECTROLESS NICKEL TO SAE-AMS-MIL-C-26074
- BODY STYLE \_\_\_\_\_  
90S = 90° SWEPT
- ORDER NUMBER \_\_\_\_\_
- FERRULE QUANTITY CODE \_\_\_\_\_  
3 = BANDSTRAP CLAMPING NUT
- DS = DRILLED STAR - OPTIONAL - SEE NOTE 2 \_\_\_\_\_

## APPLICATION

- These adaptors are designed to be mounted on the following connectors:

MIL-C-38999 Series III and IV

- They are qualified to the Raychem specification RB-114, when installed on metallic Mil-Specification circular connectors only.
- They are designed primarily for open wire bundle installation with overbraid, but are also designed to accept Raychem heat shrink moulded parts where strain relief is required – see illustration on sheet 3.

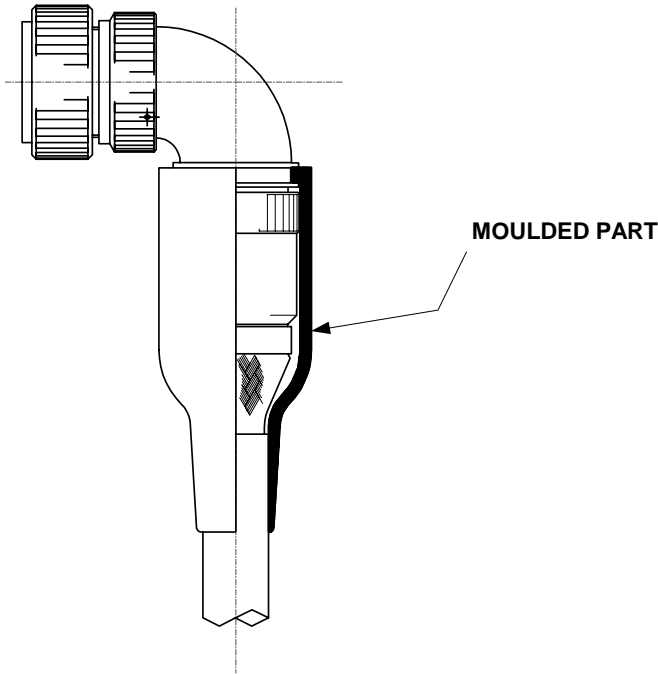
© 2005 Tyco Electronics Corporation. All rights reserved.

				TITLE: <b>HEXASHIELD SWEPT ADAPTOR FOR CODE 40 CONNECTORS BANDSTRAP CLAMPING NUT</b>			
UNLESS OTHERWISE SPECIFIED DIMENSIONS ARE IN MILLIMETERS. INCH DIMENSIONS ARE SHOWN IN BRACKETS		Tyco Electronics reserves the right to amend this drawing at any time. Users should evaluate the suitability of the product for their application.		DOCUMENT NO. <b>HEX40-AY-90S-AYY-3-YY</b>			
DRAWN: IRT	DATE: MAR 05	CAGE CODE: 06090	DCR # D050093	FILE: 87002/90S-3	SCALE: NONE	SHEET: 2 OF 4	

If this document is printed it becomes uncontrolled. Check for the latest revision.

# SPECIFICATION CONTROL DRAWING

REV: <b>1</b>	DATE: MAR 16, 2005
------------------	-----------------------



- Use in conjunction with the ferrules HET-A-0XX, which are purchased separately. Refer to HET-A-0XX S.C.D. for relevant selection details.

**INSTALLATION**

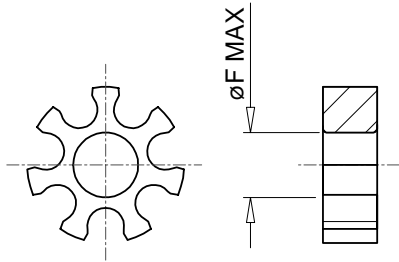
- See Installation Procedure RPIP-696-07.

**PACKAGING**

- All components are supplied in a plastic bag.

**NOTES!**

1. Item 4 - Star - is **not** supplied with Hexashield Order Number 09.
2. The DS option, illustrated below, is for a Drilled Star that is available on sizes 15 to 25 only. This option is to allow unshielded wires to pass through the assembly.



STAR SIZE	15	17	19	21	23	25
ØF MAX	3.0 [0.12"]	6.0 [0.24"]	9.0 [0.35"]	12.0 [0.47"]	15.0 [0.59"]	18.0 [0.71"]

© 2005 Tyco Electronics Corporation. All rights reserved.

		<p style="font-size: small; margin-top: 5px;">300 Constitution Drive Menlo Park, CA 94025, USA</p>		TITLE: <b>HEXASHIELD SWEEP ADAPTOR FOR CODE 40 CONNECTORS BANDSTRAP CLAMPING NUT</b>		
UNLESS OTHERWISE SPECIFIED DIMENSIONS ARE IN MILLIMETERS. INCH DIMENSIONS ARE SHOWN IN BRACKETS		Tyco Electronics reserves the right to amend this drawing at any time. Users should evaluate the suitability of the product for their application.		DOCUMENT NO. <b>HEX40-AY-90S-AYY-3-YY</b>		
DRAWN: <b>IRT</b>	DATE: <b>MAR 05</b>	CAGE CODE: <b>06090</b>	DCR # <b>D050093</b>	FILE: <b>87002/90S-3</b>	SCALE: <b>NONE</b>	SHEET: <b>3 OF 4</b>

If this document is printed it becomes uncontrolled. Check for the latest revision.

# SPECIFICATION CONTROL DRAWING

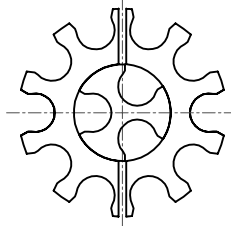
REV:  
1

DATE:  
MAR 16, 2005

3. Where the ferrule quantities required are standard, the item 4 - Star - is also standard.  
 If the optional quantity is selected then 2 items 4 will be supplied - one "split" and the other one standard.  
 See illustration on sheet 4 for a typical assembly and also refer to HEX02 S.C.D's for further information if required.

EXAMPLE: FERRULE QUANTITY CODE -A13

-A13 = -A10 SPLIT STAR + -A3 STANDARD STAR



4. Assembly is to be permanently marked with Code Identity Number and Part Number.  
 (e.g. 06090 HEX40-AB-90S-21-A9-3)

© 2005 Tyco Electronics Corporation. All rights reserved.

		<b>Raychem</b> 300 Constitution Drive Menlo Park, CA 94025, USA		TITLE: <b>HEXASHIELD SWEEP ADAPTOR                  FOR CODE 40 CONNECTORS                  BANDSTRAP CLAMPING NUT</b>		
UNLESS OTHERWISE SPECIFIED DIMENSIONS ARE IN MILLIMETERS. INCH DIMENSIONS ARE SHOWN IN BRACKETS		Tyco Electronics reserves the right to amend this drawing at any time. Users should evaluate the suitability of the product for their application.		DOCUMENT NO. <b>HEX40-AY-90S-AYY-3-YY</b>		
DRAWN:	DATE:	CAGE CODE:	DCR #	FILE:	SCALE:	SHEET:
IRT	MAR 05	06090	D050093	87002/90S-3	NONE	4 OF 4

If this document is printed it becomes uncontrolled. Check for the latest revision.

Компания «Океан Электроники» предлагает заключение долгосрочных отношений при поставках импортных электронных компонентов на взаимовыгодных условиях!

Наши преимущества:

- Поставка оригинальных импортных электронных компонентов напрямую с производств Америки, Европы и Азии, а так же с крупнейших складов мира;
- Широкая линейка поставок активных и пассивных импортных электронных компонентов (более 30 млн. наименований);
- Поставка сложных, дефицитных, либо снятых с производства позиций;
- Оперативные сроки поставки под заказ (от 5 рабочих дней);
- Экспресс доставка в любую точку России;
- Помощь Конструкторского Отдела и консультации квалифицированных инженеров;
- Техническая поддержка проекта, помощь в подборе аналогов, поставка прототипов;
- Поставка электронных компонентов под контролем ВП;
- Система менеджмента качества сертифицирована по Международному стандарту ISO 9001;
- При необходимости вся продукция военного и аэрокосмического назначения проходит испытания и сертификацию в лаборатории (по согласованию с заказчиком);
- Поставка специализированных компонентов военного и аэрокосмического уровня качества (Xilinx, Altera, Analog Devices, Intersil, Interpoint, Microsemi, Actel, Aeroflex, Peregrine, VPT, Syfer, Eurofarad, Texas Instruments, MS Kennedy, Miteq, Cobham, E2V, MA-COM, Hittite, Mini-Circuits, General Dynamics и др.);

Компания «Океан Электроники» является официальным дистрибьютором и эксклюзивным представителем в России одного из крупнейших производителей разъемов военного и аэрокосмического назначения «JONHON», а так же официальным дистрибьютором и эксклюзивным представителем в России производителя высокотехнологичных и надежных решений для передачи СВЧ сигналов «FORSTAR».



## JONHON

«JONHON» (основан в 1970 г.)

Разъемы специального, военного и аэрокосмического назначения:

(Применяются в военной, авиационной, аэрокосмической, морской, железнодорожной, горно- и нефтедобывающей отраслях промышленности)

«FORSTAR» (основан в 1998 г.)

ВЧ соединители, коаксиальные кабели,  
кабельные сборки и микроволновые компоненты:

(Применяются в телекоммуникациях гражданского и специального назначения, в средствах связи, РЛС, а так же военной, авиационной и аэрокосмической отраслях промышленности).



Телефон: 8 (812) 309-75-97 (многоканальный)

Факс: 8 (812) 320-03-32

Электронная почта: [ocean@oceanchips.ru](mailto:ocean@oceanchips.ru)

Web: <http://oceanchips.ru/>

Адрес: 198099, г. Санкт-Петербург, ул. Калинина, д. 2, корп. 4, лит. А