

## Description

The 9ZXL0832E / 9ZXL0852E are second-generation, enhanced performance DB800ZL differential buffers. The parts are pin-compatible to the 9ZXL0831A and 9ZXL0851A while offering a much improved phase jitter performance. A fixed external feedback maintains low drift for critical QPI/UPI applications. The 9ZXL0832E and 9ZXL0852E have an SMBus Write Lockout pin for increased device and system security.

## PCIe Clocking Architectures Supported

- Common Clocked (CC)
- Independent Reference (IR) with and without spread spectrum

## Typical Applications

- Servers
- Storage
- Networking
- SSDs

## Output Features

- 8 Low-Power (LP) HCSL output pairs (0832E)
- 8 Low-Power (LP) HCSL output pairs with 85Ω Zout (0852E)

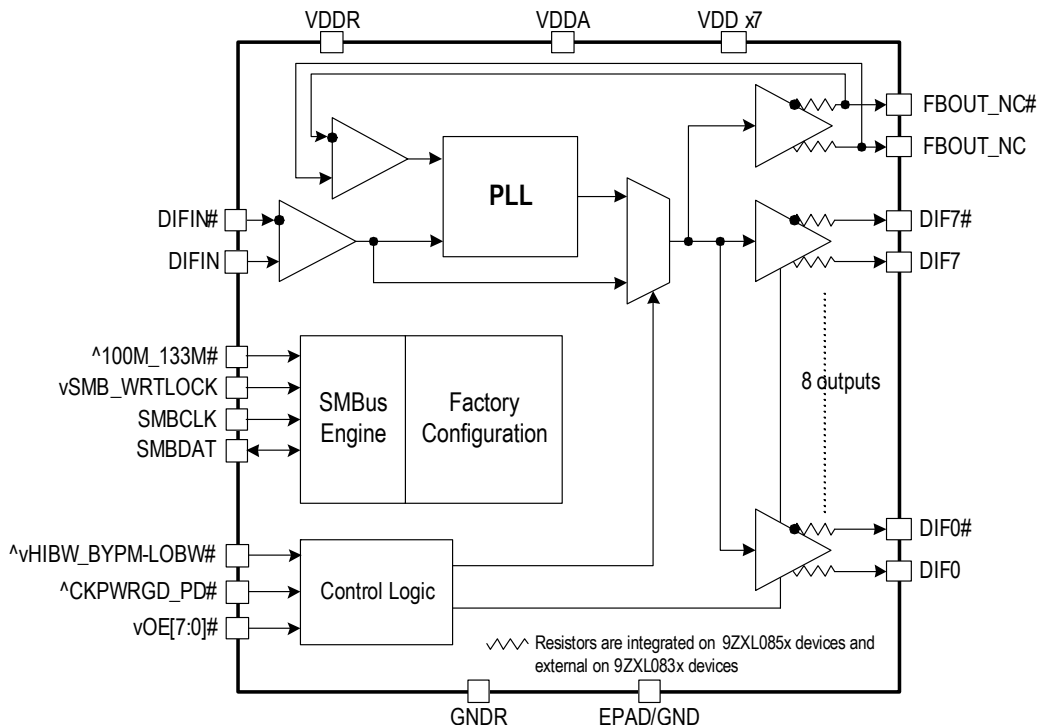
## Features

- SMBus write lock feature; increases system security
- LP-HCSL outputs; eliminate 16 resistors, save 27mm<sup>2</sup> of area (0832E)
- LP-HCSL outputs with 85Ω Zout; eliminate 32 resistors, save 64mm<sup>2</sup> of area (0852E)
- 8 OE# pins; hardware control of each output
- Selectable PLL BW; minimizes jitter peaking in cascaded PLL topologies
- Hardware/SMBus control of PLL bandwidth and bypass; change mode without power cycle
- Spread spectrum compatible; tracks spreading input clock for EMI reduction
- 100MHz & 133.33MHz PLL Mode; UPI and legacy QPI support
- 6 × 6 mm 48-VFQFPN package; small board footprint

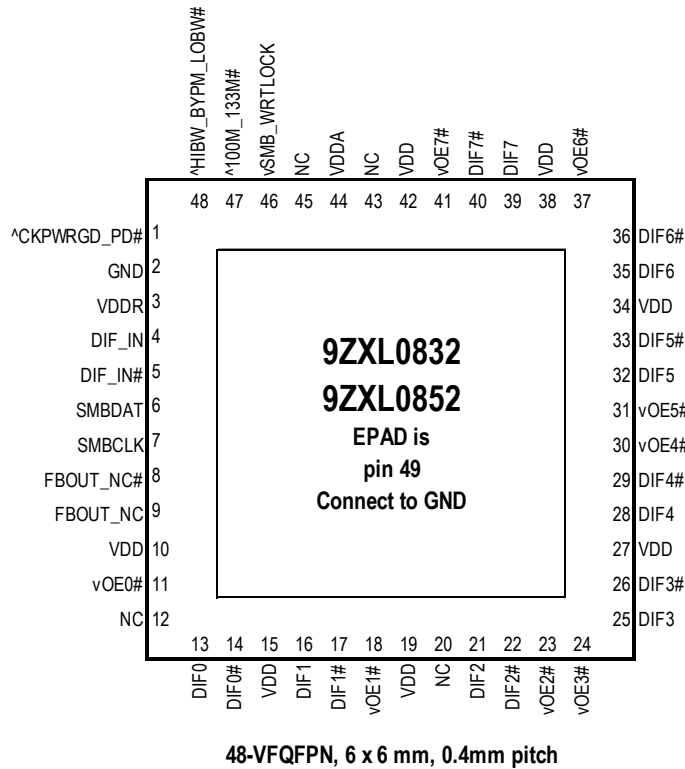
## Key Specifications

- Cycle-to-cycle jitter < 50ps
- Output-to-output skew < 50ps
- Input-to-output delay: Fixed at 0ps
- Input-to-output delay variation < 50ps
- Phase jitter: PCIe Gen4 < 0.5ps rms
- Phase jitter: QPI/UPI ≥ 9.6GB/s < 0.2ps rms
- Phase jitter: IF-UPI < 1.0ps rms

## Block Diagram



## Pin Assignments



## Power Management Table

| CKPWRGD_PD# | DIF_IN  | SMBus EN bit | OE[x]# | DIF[x]  | PLL State if not in Bypass Mode |
|-------------|---------|--------------|--------|---------|---------------------------------|
| 0           | X       | X            | X      | Low/Low | OFF                             |
| 1           | Running | 0            | 0      | Low/Low | ON                              |
|             |         | 0            | 1      | Low/Low | ON                              |
|             |         | 1            | 0      | Running | ON                              |
|             |         | 1            | 1      | Low/Low | ON                              |

## PLL Operating Mode Table

| HiBW_BypM_LoBW# | MODE      |
|-----------------|-----------|
| Low             | PLL Lo BW |
| Mid             | Bypass    |
| High            | PLL Hi BW |

**NOTE: PLL is OFF in Bypass Mode**

## PLL Operating Mode Readback Table

| HiBW_BypM_LoBW# | Byte0, bit 7 | Byte 0, bit 6 |
|-----------------|--------------|---------------|
| Low (Low BW)    | 0            | 0             |
| Mid (Bypass)    | 0            | 1             |
| High (High BW)  | 1            | 1             |

## SMBus Address

| Address | + Read/Write bit |
|---------|------------------|
| 1101100 | x                |

## Power Connections

| Pin Number           |     | Description  |
|----------------------|-----|--------------|
| VDD                  | GND |              |
| 44                   | 49  | Analog PLL   |
| 3                    | 2   | Analog input |
| 10,15,19,27,34,38,42 | 49  | DIF clocks   |

## Functionality at Power Up (PLL Mode)

| 100M_133M# | DIF_IN MHz | DIF[x] |
|------------|------------|--------|
| 1          | 100.00     | DIF_IN |
| 0          | 133.33     | DIF_IN |

## Pin Descriptions

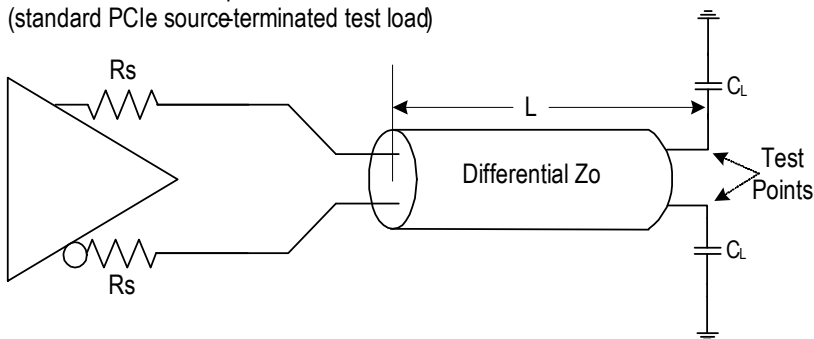
| Pin # | Pin Name     | Type | Description   |
|-------|--------------|------|---|
| 1     | ^CKPWRGD_PD# | IN   | Input notifies device to sample latched inputs and start up on first high assertion. Low enters Power Down Mode, subsequent high assertions exit Power Down Mode. This pin has internal pull-up resistor. |
| 2     | GND          | GND  | Ground pin.   |
| 3     | VDDR         | PWR  | Power supply for differential input clock (receiver). This VDD should be treated as an analog power rail and filtered appropriately. Nominally 3.3V.  |
| 4     | DIF_IN       | IN   | HCSSL true input.   |
| 5     | DIF_IN#      | IN   | HCSSL complementary input.  |
| 6     | SMBDAT       | I/O  | Data pin of SMBUS circuitry   |
| 7     | SMBCLK       | IN   | Clock pin of SMBUS circuitry  |
| 8     | FBOU_TNC#    | OUT  | Complementary half of differential feedback output. This pin should NOT be connected to anything outside the chip. It exists to provide delay path matching to get 0 propagation delay.                   |
| 9     | FBOU_TNC     | OUT  | True half of differential feedback output. This pin should NOT be connected to anything outside the chip. It exists to provide delay path matching to get 0 propagation delay.                            |
| 10    | VDD          | PWR  | Power supply, nominally 3.3V.   |
| 11    | vOE0#        | IN   | Active low input for enabling output 0. This pin has an internal pull-down.<br>1 = disable outputs, 0 = enable outputs.   |
| 12    | NC           | N/A  | No connection.  |
| 13    | DIF0         | OUT  | Differential true clock output.   |
| 14    | DIF0#        | OUT  | Differential complementary clock output.  |
| 15    | VDD          | PWR  | Power supply, nominally 3.3V.   |
| 16    | DIF1         | OUT  | Differential true clock output.   |
| 17    | DIF1#        | OUT  | Differential complementary clock output.  |
| 18    | vOE1#        | IN   | Active low input for enabling output 1. This pin has an internal pull-down.<br>1 = disable outputs, 0 = enable outputs.   |
| 19    | VDD          | PWR  | Power supply, nominally 3.3V.   |
| 20    | NC           | N/A  | No connection.  |
| 21    | DIF2         | OUT  | Differential true clock output.   |
| 22    | DIF2#        | OUT  | Differential complementary clock output.  |
| 23    | vOE2#        | IN   | Active low input for enabling output 2. This pin has an internal pull-down.<br>1 = disable outputs, 0 = enable outputs.   |
| 24    | vOE3#        | IN   | Active low input for enabling output 3. This pin has an internal pull-down.<br>1 = disable outputs, 0 = enable outputs.   |
| 25    | DIF3         | OUT  | Differential true clock output.   |
| 26    | DIF3#        | OUT  | Differential complementary clock output.  |
| 27    | VDD          | PWR  | Power supply, nominally 3.3V.   |
| 28    | DIF4         | OUT  | Differential true clock output.   |
| 29    | DIF4#        | OUT  | Differential complementary clock output.  |
| 30    | vOE4#        | IN   | Active low input for enabling output 4. This pin has an internal pull-down.<br>1 = disable outputs, 0 = enable outputs.   |
| 31    | vOE5#        | IN   | Active low input for enabling output 5. This pin has an internal pull-down.<br>1 = disable outputs, 0 = enable outputs.   |
| 32    | DIF5         | OUT  | Differential true clock output.   |
| 33    | DIF5#        | OUT  | Differential complementary clock output.  |
| 34    | VDD          | PWR  | Power supply, nominally 3.3V.   |
| 35    | DIF6         | OUT  | Differential true clock output.   |
| 36    | DIF6#        | OUT  | Differential complementary clock output.  |
| 37    | vOE6#        | IN   | Active low input for enabling output 6. This pin has an internal pull-down.<br>1 = disable outputs, 0 = enable outputs.   |
| 38    | VDD          | PWR  | Power supply, nominally 3.3V.   |

## Pin Descriptions (cont.)

| Pin # | Pin Name         | Type       | Description   |
|-------|------------------|------------|---|
| 39    | DIF7             | OUT        | Differential true clock output.   |
| 40    | DIF7#            | OUT        | Differential complementary clock output.  |
| 41    | vOE7#            | IN         | Active low input for enabling output 7. This pin has an internal 120kohm pull-down.<br>1 = disable outputs, 0 = enable outputs.   |
| 42    | VDD              | PWR        | Power supply, nominally 3.3V.   |
| 43    | NC               | N/A        | No connection.  |
| 44    | VDDA             | PWR        | Power supply for PLL core.  |
| 45    | NC               | N/A        | No connection.  |
| 46    | vSMB_WRTLOCK     | IN         | This pin prevents SMBus writes when asserted. SMBus reads are not affected. This pin has an internal 120kohm pull down.<br>0 = SMBus writes allows, 1 = SMBus writes blocked. |
| 47    | ^100M_133M#      | LATCHED IN | 3.3V Input to select operating frequency. This pin has an internal 120kohm pull-up resistor. See Functionality Table for definition.  |
| 48    | ^HIBW_BYPM_LOBW# | LATCHED IN | Tri-level input to select High BW, Bypass or Low BW Mode. Has an internal 120kohm pull up resistor. See PLL Operating Mode Table for details.                                 |
| 49    | EPAD             | PWR        | Ground  |

## Test Loads

Low-Power HCSL Output Test Load  
(standard PCIe source-terminated test load)



Parameters for Low-Power HCSL Output Test Load

| Device    | Rs (Ω)   | Zo (Ω) | L (Inches) | CL (pF) |
|-----------|----------|--------|------------|---------|
| 9ZXL083x  | 27       | 85     | 10         | 2       |
|           | 33       | 100    | 10         | 2       |
| 9ZXL085x* | Internal | 85     | 10         | 2       |
|           | 7.5      | 100    | 10         | 2       |

\*Contact factory for versions of this device with Zo=100Ω.

## Alternate Terminations

The LP-HCSL output can easily drive other logic families. See [“AN-891 Driving LVPECL, LVDS, and CML Logic with IDT’s “Universal” Low-Power HCSL Outputs”](#) for termination schemes for LVPECL, LVDS, CML and SSTL.

## Absolute Maximum Ratings

Stresses above the ratings listed below can cause permanent damage to the 9ZXL0832E / 9ZXL0852E. These ratings, which are standard values for IDT commercially rated parts, are stress ratings only. Functional operation of the device at these or any other conditions above those indicated in the operational sections of the specifications is not implied. Exposure to absolute maximum rating conditions for extended periods can affect product reliability. Electrical parameters are guaranteed only over the recommended operating temperature range.

| Parameter            | Symbol             | Conditions                 | Minimum | Typical | Maximum              | Units | Notes |
|----------------------|--------------------|----------------------------|---------|---------|----------------------|-------|-------|
| Supply Voltage       | VDDx               |                            |         |         | 3.9                  | V     | 1,2   |
| Input Low Voltage    | V <sub>IL</sub>    |                            | GND-0.5 |         |                      | V     | 1     |
| Input High Voltage   | V <sub>IH</sub>    | Except for SMBus interface |         |         | V <sub>DD</sub> +0.5 | V     | 1,3   |
| Input High Voltage   | V <sub>IHSMB</sub> | SMBus clock and data pins  |         |         | 3.9                  | V     | 1     |
| Storage Temperature  | T <sub>s</sub>     |                            | -65     |         | 150                  | °C    | 1     |
| Junction Temperature | T <sub>j</sub>     |                            |         |         | 125                  | °C    | 1     |
| Input ESD Protection | ESD prot           | Human Body Model           | 2500    |         |                      | V     | 1     |

<sup>1</sup> Guaranteed by design and characterization, not 100% tested in production.

<sup>2</sup> Operation under these conditions is neither implied nor guaranteed.

<sup>3</sup> Not to exceed 3.9V.

## Electrical Characteristics–DIF\_IN Clock Input Parameters

T<sub>AMB</sub> = over the specified operating range. Supply voltages per normal operation conditions; see Test Loads for loading conditions

| Parameter                        | Symbol             | Conditions  | Minimum | Typical | Maximum | Units | Notes |
|----------------------------------|--------------------|---|---------|---------|---------|-------|-------|
| Input Crossover Voltage - DIF_IN | V <sub>CROSS</sub> | Cross over voltage  | 150     |         | 900     | mV    | 1     |
| Input Swing - DIF_IN             | V <sub>SWING</sub> | Differential value  | 300     |         |         | mV    | 1     |
| Input Slew Rate - DIF_IN         | dv/dt              | Measured differentially                                   | 0.4     |         | 8       | V/ns  | 1,2   |
| Input Leakage Current            | I <sub>IN</sub>    | V <sub>IN</sub> = V <sub>DD</sub> , V <sub>IN</sub> = GND | -5      |         | 5       | μA    |       |
| Input Duty Cycle                 | d <sub>tin</sub>   | Measurement from differential waveform                    | 45      |         | 55      | %     | 1     |
| Input Jitter - Cycle to Cycle    | J <sub>DIFin</sub> | Differential measurement                                  | 0       |         | 125     | ps    | 1     |

<sup>1</sup> Guaranteed by design and characterization, not 100% tested in production.

<sup>2</sup> Slew rate measured through +/-75mV window centered around differential zero

## Electrical Characteristics–SMBus

T<sub>AMB</sub> = over the specified operating range. Supply voltages per normal operation conditions; see Test Loads for loading conditions

| Parameter                 | Symbol              | Conditions   | Minimum | Typical | Maximum             | Units | Notes |
|---------------------------|---------------------|--|---------|---------|---------------------|-------|-------|
| SMBus Input Low Voltage   | V <sub>ILSMB</sub>  |  |         |         | 0.8                 | V     |       |
| SMBus Input High Voltage  | V <sub>IHSMB</sub>  |  | 2.1     |         | V <sub>DD</sub> SMB | V     |       |
| SMBus Output Low Voltage  | V <sub>OLSMB</sub>  | at I <sub>PULLUP</sub>   |         |         | 0.4                 | V     |       |
| SMBus Sink Current        | I <sub>PULLUP</sub> | at V <sub>OL</sub>   | 4       |         |                     | mA    |       |
| Nominal Bus Voltage       | V <sub>DD</sub> SMB |  | 2.7     |         | 3.6                 | V     | 1     |
| SCLK/SDATA Rise Time      | t <sub>RSMB</sub>   | (Max V <sub>IL</sub> - 0.15V) to (Min V <sub>IH</sub> + 0.15V) |         |         | 1000                | ns    | 1     |
| SCLK/SDATA Fall Time      | t <sub>FSMB</sub>   | (Min V <sub>IH</sub> + 0.15V) to (Max V <sub>IL</sub> - 0.15V) |         |         | 300                 | ns    | 1     |
| SMBus Operating Frequency | f <sub>MAXSMB</sub> | Maximum SMBus operating frequency                              |         |         | 500                 | kHz   | 5     |

<sup>1</sup> Guaranteed by design and characterization, not 100% tested in production.

<sup>2</sup> Control input must be monotonic from 20% to 80% of input swing.

<sup>3</sup> Time from deassertion until outputs are > 200mV.

<sup>4</sup> DIF\_IN input

<sup>5</sup> The differential input clock must be running for the SMBus to be active.

## Electrical Characteristics–Input/Supply/Common Output Parameters

T<sub>AMB</sub> = over the specified operating range. Supply voltages per normal operation conditions; see Test Loads for loading conditions

| Symbol                 | Parameter                          | Conditions   | Minimum   | Typical | Maximum               | Units  | Notes |
|------------------------|------------------------------------|--|-----------|---------|-----------------------|--------|-------|
| VDDx                   | Supply Voltage                     | Supply voltage for core and analog   | 3.135     | 3.3     | 3.465                 | V      |       |
| VDDIO                  | Output Supply Voltage              | Supply voltage for DIF outputs, if present   | 0.9975    | 1.05    | 3.465                 | V      |       |
| T <sub>AMB</sub>       | Ambient Operating Temperature      | Industrial range (T <sub>IND</sub> )   | -40       | 25      | 85                    | °C     |       |
| V <sub>IH</sub>        | Input High Voltage                 | Single-ended inputs, except SMBus, tri-level inputs  | 2         |         | V <sub>DD</sub> + 0.3 | V      |       |
| V <sub>IL</sub>        | Input Low Voltage                  | Single-ended inputs, except SMBus, tri-level inputs  | GND - 0.3 |         | 0.8                   | V      |       |
| V <sub>IH</sub>        | Input High Voltage                 | Tri-level inputs   | 2.2       |         | V <sub>DD</sub> + 0.3 | V      |       |
| V <sub>IL</sub>        | Input Mid Voltage                  | Tri-level inputs   | 1.2       | VDD/2   | 1.8                   | V      |       |
| V <sub>IL</sub>        | Input Low Voltage                  | Tri-level inputs   | GND - 0.3 |         | 0.8                   | V      |       |
| I <sub>IN</sub>        | Input Current                      | Single-ended inputs, V <sub>IN</sub> = GND, V <sub>IN</sub> = V <sub>DD</sub>  | -5        |         | 5                     | μA     |       |
| I <sub>INP</sub>       |                                    | Single-ended inputs<br>V <sub>IN</sub> = 0 V; inputs with internal pull-up resistors<br>V <sub>IN</sub> = V <sub>DD</sub> ; inputs with internal pull-down resistors | -50       |         | 50                    | μA     |       |
| F <sub>ibyp</sub>      | Input Frequency                    | V <sub>DD</sub> = 3.3 V, Bypass Mode   | 1         |         | 400                   | MHz    |       |
| F <sub>ipll</sub>      |                                    | V <sub>DD</sub> = 3.3 V, 100MHz PLL Mode   | 98.5      | 100.00  | 102.5                 | MHz    |       |
| F <sub>ipll</sub>      |                                    | V <sub>DD</sub> = 3.3 V, 133.33MHz PLL Mode  | 132       | 133.33  | 135                   | MHz    |       |
| L <sub>pin</sub>       | Pin Inductance                     |  |           |         | 7                     | nH     | 1     |
| C <sub>IN</sub>        | Capacitance                        | Logic inputs, except DIF_IN  | 1.5       |         | 5                     | pF     | 1     |
| C <sub>INDIF_IN</sub>  |                                    | DIF_IN differential clock inputs   | 1.5       |         | 2.7                   | pF     | 1,4   |
| C <sub>OUT</sub>       |                                    | Output pin capacitance   |           |         | 6                     | pF     | 1     |
| T <sub>STAB</sub>      | Clk Stabilization                  | From V <sub>DD</sub> power-up and after input clock stabilization or de-assertion of PD# to 1st clock  |           | 1.0     | 1.8                   | ms     | 1,2   |
| f <sub>MODINPCle</sub> | Input SS Modulation Frequency PCIe | Allowable frequency for PCIe applications (Triangular modulation)  | 30        |         | 33                    | kHz    |       |
| t <sub>LATOE#</sub>    | OE# Latency                        | DIF start after OE# assertion<br>DIF stop after OE# deassertion  | 4         | 5       | 10                    | clocks | 1,2,3 |
| t <sub>DRVPD</sub>     | Tdrive_PD#                         | DIF output enable after PD# de-assertion   |           | 49      | 300                   | μs     | 1,3   |
| t <sub>F</sub>         | T <sub>fall</sub>                  | Fall time of control inputs  |           |         | 5                     | ns     | 2     |
| t <sub>R</sub>         | T <sub>rise</sub>                  | Rise time of control inputs  |           |         | 5                     | ns     | 2     |

<sup>1</sup> Guaranteed by design and characterization, not 100% tested in production.

<sup>2</sup> Control input must be monotonic from 20% to 80% of input swing.

<sup>3</sup> Time from deassertion until outputs are > 200mV.

<sup>4</sup> DIF\_IN input.

## Electrical Characteristics–Current Consumption

$T_{AMB}$  = over the specified operating range. Supply voltages per normal operation conditions; see Test Loads for loading conditions

| Symbol      | Parameter                | Conditions                               | Minimum | Typical | Maximum | Units | Notes |
|-------------|--------------------------|--|---------|---------|---------|-------|-------|
| $I_{DDA}$   | Operating Supply Current | $V_{DDA}$ , PLL Mode at 100MHz           |         | 37      | 45      | mA    | 1     |
| $I_{DD}$    | Operating Supply Current | All other $V_{DD}$ pins at 100MHz        |         | 55      | 68      | mA    |       |
| $I_{DDAPD}$ | Powerdown Current        | $V_{DDA}$ , CKPWRGD_PD# = 0              |         | 3       | 4       | mA    | 1     |
| $I_{DDPD}$  | Powerdown Current        | All other $V_{DD}$ pins, CKPWRGD_PD# = 0 |         | 1       | 2       | mA    |       |

<sup>1</sup> Includes VDDR if applicable.

## Electrical Characteristics–HCSL/LP-HCSL Outputs

$T_{AMB}$  = over the specified operating range. Supply voltages per normal operation conditions; see Test Loads for loading conditions

| Symbol             | Parameter              | Conditions   | Minimum | Typical | Maximum | Specification Limit | Units | Notes   |
|--------------------|------------------------|--|---------|---------|---------|---------------------|-------|---------|
| dV/dt              | Slew Rate              | Scope averaging on.  | 2       | 2.9     | 4       | 1 – 4               | V/ns  | 1, 2, 3 |
| $\Delta dV/dt$     | Slew Rate Matching     | Single-ended measurement   |         | 7.1     | 20      | 20                  | %     | 1, 4, 7 |
| $V_{max}$          | Max Voltage            | Measurement on single-ended signal using absolute value (scope averaging off). | 660     | 792     | 850     | 1150                | mV    | 7       |
| $V_{min}$          | Min Voltage            |  | -150    | -35     | 150     | -300                |       | 7       |
| $V_{cross\_abs}$   | Crossing Voltage (abs) | Scope averaging off.   | 250     | 372     | 550     | 250 – 550           | mV    | 1, 5, 7 |
| $\Delta-V_{cross}$ | Crossing Voltage (var) | Scope averaging off.   |         | 15      | 140     | 140                 | mV    | 1, 6, 7 |

<sup>1</sup> Guaranteed by design and characterization, not 100% tested in production.

<sup>2</sup> Measured from differential waveform.

<sup>3</sup> Slew rate is measured through the  $V_{swing}$  voltage range centered around differential 0V. This results in a +/-150mV window around differential 0V.

<sup>4</sup> Matching applies to rising edge rate for Clock and falling edge rate for Clock#. It is measured using a +/-75mV window centered on the average cross point where Clock rising meets Clock# falling. The median cross point is used to calculate the voltage thresholds the oscilloscope is to use for the edge rate calculations.

<sup>5</sup>  $V_{cross}$  is defined as voltage where Clock = Clock# measured on a component test board and only applies to the differential rising edge (i.e. Clock rising and Clock# falling).

<sup>6</sup> The total variation of all  $V_{cross}$  measurements in any particular system. Note that this is a subset of  $V_{cross\_min/max}$  ( $V_{cross}$  absolute) allowed. The intent is to limit  $V_{cross}$  induced modulation by setting  $\Delta-V_{cross}$  to be smaller than  $V_{cross}$  absolute.

<sup>7</sup> At default SMBus settings.

## Electrical Characteristics–Skew and Differential Jitter Parameters

$T_{AMB}$  = over the specified operating range. Supply voltages per normal operation conditions; see Test Loads for loading conditions

| Symbol          | Parameter              | Conditions  | Minimum | Typical | Maximum | Units    | Notes     |
|-----------------|------------------------|---|---------|---------|---------|----------|-----------|
| $t_{SPO\_PLL}$  | CLK_IN, DIF[x:0]       | Input-to-output skew in PLL Mode at 100MHz, nominal temperature and voltage   | -100    | -21.3   | 100     | ps       | 1,2,4,5,8 |
| $t_{D\_BYP}$    | CLK_IN, DIF[x:0]       | Input-to-output skew in Bypass Mode at 100MHz, nominal temperature and voltage  | 2       | 2.6     | 3       | ns       | 1,2,3,5,8 |
| $t_{DSPO\_PLL}$ | CLK_IN, DIF[x:0]       | Input-to-output skew variation in PLL Mode at 100MHz, across voltage and temperature  | -50     | 0.0     | 50      | ps       | 1,2,3,5,8 |
| $t_{DSPO\_BYP}$ | CLK_IN, DIF[x:0]       | Input-to-output skew variation in Bypass Mode at 100MHz, across voltage and temperature, $T_{AMB} = 0$ to $70^{\circ}C$             | -250    |         | 250     | ps       | 1,2,3,5,8 |
|                 |                        | Input-to-output skew variation in Bypass Mode at 100MHz, across voltage and temperature, $T_{AMB} = -40^{\circ}C$ to $105^{\circ}C$ | -350    |         | 350     | ps       | 1,2,3,5,8 |
| $t_{DTE}$       | CLK_IN, DIF[x:0]       | Random differential tracking error between two 9ZX devices in Hi BW Mode  |         | 3       | 5       | ps (rms) | 1,2,3,5,8 |
| $t_{DSSTE}$     | CLK_IN, DIF[x:0]       | Random differential spread spectrum tracking error between two 9ZX devices in Hi BW Mode  |         | 23      | 50      | ps       | 1,2,3,5,8 |
| $t_{SKEW\_ALL}$ | DIF[x:0]               | Output-to-output skew across all outputs, common to PLL and Bypass Mode, at 100MHz  |         |         | 50      | ps       | 1,2,3,8   |
| $j_{peak-hibw}$ | PLL Jitter Peaking     | LOBW#_BYPASS_HIBW = 1   | 0       | 1.3     | 2.5     | dB       | 7,8       |
| $j_{peak-lobw}$ | PLL Jitter Peaking     | LOBW#_BYPASS_HIBW = 0   | 0       | 1.3     | 2       | dB       | 7,8       |
| $p_{ll\_HIBW}$  | PLL Bandwidth          | LOBW#_BYPASS_HIBW = 1   | 2       | 2.6     | 4       | MHz      | 8,9       |
| $p_{ll\_LOBW}$  | PLL Bandwidth          | LOBW#_BYPASS_HIBW = 0   | 0.7     | 1.0     | 1.4     | MHz      | 8,9       |
| $t_{DC}$        | Duty Cycle             | Measured differentially, PLL Mode   | 45      | 50.3    | 55      | %        | 1         |
| $t_{DCD}$       | Duty Cycle Distortion  | Measured differentially, Bypass Mode at 100MHz  | -1      | 0       | 1       | %        | 1,10      |
| $t_{cyc-cyc}$   | Jitter, Cycle to Cycle | PLL Mode  |         | 14      | 50      | ps       | 1,11      |
|                 |                        | Additive jitter in Bypass Mode  |         | 0.1     | 5       | ps       | 1,11      |

### Notes for preceding table:

- <sup>1</sup> Measured into fixed 2 pF load cap. Input to output skew is measured at the first output edge following the corresponding input
- <sup>2</sup> Measured from differential cross-point to differential cross-point. This parameter can be tuned with external feedback path, if present
- <sup>3</sup> All Bypass Mode Input-to-Output specs refer to the timing between an input edge and the specific output edge created by it
- <sup>4</sup> This parameter is deterministic for a given device.
- <sup>5</sup> Measured with scope averaging on to find mean value.
- <sup>6</sup>  $t$  is the period of the input clock.
- <sup>7</sup> Measured as maximum pass band gain. At frequencies within the loop BW, highest point of magnification is called PLL jitter peaking.
- <sup>8</sup> Guaranteed by design and characterization, not 100% tested in production.
- <sup>9</sup> Measured at 3 db down or half power point
- <sup>10</sup> Duty cycle distortion is the difference in duty cycle between the output and the input clock when the device is operated in bypass mode.
- <sup>11</sup> Measured from differential waveform.



## Electrical Characteristics–Filtered Phase Jitter Parameters - PCIe Common Clocked (CC) Architectures

T<sub>AMB</sub> = over the specified operating range. Supply Voltages per normal operation conditions, See Test Loads for Loading Conditions

| Symbol                   | Parameter                          | Conditions   | Minimum | Typical | Maximum | Specification Limit | Units    | Notes      |
|--------------------------|------------------------------------|--|---------|---------|---------|---------------------|----------|------------|
| t <sub>phPCIeG1-CC</sub> | Phase Jitter, PLL Mode             | PCIe Gen 1   |         | 13.4    | 30      | 86                  | ps (p-p) | 1, 2, 3    |
| t <sub>phPCIeG2-CC</sub> |                                    | PCIe Gen 2 Low Band<br>10kHz < f < 1.5MHz<br>(PLL BW of 5-16MHz, 8-16MHz, CDR = 5MHz)            |         | 0.2     | 0.7     | 3                   | ps (rms) | 1, 2       |
|                          |                                    | PCIe Gen 2 High Band<br>1.5MHz < f < Nyquist (50MHz)<br>(PLL BW of 5-16MHz, 8-16MHz, CDR = 5MHz) |         | 1.0     | 1.5     | 3.1                 | ps (rms) | 1, 2       |
| t <sub>phPCIeG3-CC</sub> |                                    | PCIe Gen 3<br>(PLL BW of 2-4MHz, 2-5MHz, CDR = 10MHz)  |         | 0.2     | 0.4     | 1                   | ps (rms) | 1, 2       |
| t <sub>phPCIeG4-CC</sub> |                                    | PCIe Gen 4<br>(PLL BW of 2-4MHz, 2-5MHz, CDR = 10MHz)  |         | 0.2     | 0.4     | 0.5                 | ps (rms) | 1, 2       |
| t <sub>phPCIeG1-CC</sub> | Additive Phase Jitter, Bypass mode | PCIe Gen 1   |         | 0.01    | 0.06    | Not Applicable      | ps (p-p) | 1, 2, 3, 4 |
| t <sub>phPCIeG2-CC</sub> |                                    | PCIe Gen 2 Low Band<br>10kHz < f < 1.5MHz<br>(PLL BW of 5-16MHz, 8-16MHz, CDR = 5MHz)            |         | 0.01    | 0.06    |                     | ps (rms) | 1, 2, 3, 4 |
|                          |                                    | PCIe Gen 2 High Band<br>1.5MHz < f < Nyquist (50MHz)<br>(PLL BW of 5-16MHz, 8-16MHz, CDR = 5MHz) |         | 0.01    | 0.06    |                     | ps (rms) | 1, 2, 3, 4 |
| t <sub>phPCIeG3-CC</sub> |                                    | PCIe Gen 3<br>(PLL BW of 2-4MHz, 2-5MHz, CDR = 10MHz)  |         | 0.01    | 0.06    |                     | ps (rms) | 1, 2, 3, 4 |
| t <sub>phPCIeG4-CC</sub> |                                    | PCIe Gen 4<br>(PLL BW of 2-4MHz, 2-5MHz, CDR = 10MHz)  |         | 0.01    | 0.06    |                     | ps (rms) | 1, 2, 3, 4 |

## Electrical Characteristics–Filtered Phase Jitter Parameters - PCIe Independent Reference (IR) Architectures

T<sub>AMB</sub> = over the specified operating range. Supply Voltages per normal operation conditions, See Test Loads for Loading Conditions

| Symbol                     | Parameter                          | Conditions                                    | Minimum | Typical | Maximum | Industry Limit | Units    | Notes   |
|----------------------------|------------------------------------|---|---------|---------|---------|----------------|----------|---------|
| t <sub>phPCIeG2-SRIS</sub> | Phase Jitter, PLL Mode             | PCIe Gen 2<br>(PLL BW of 16MHz, CDR = 5MHz)   |         | 0.9     | 1.1     | 2              | ps (rms) | 1, 2, 5 |
| t <sub>phPCIeG3-SRIS</sub> |                                    | PCIe Gen 3<br>(PLL BW of 2-4MHz, CDR = 10MHz) |         | 0.6     | 0.65    | 0.7            | ps (rms) | 1, 2, 5 |
| t <sub>phPCIeG2-SRIS</sub> | Additive Phase Jitter, Bypass mode | PCIe Gen 2<br>(PLL BW of 16MHz, CDR = 5MHz)   |         | 0.01    | 0.05    | Not Applicable | ps (rms) | 2, 4, 5 |
| t <sub>phPCIeG3-SRIS</sub> |                                    | PCIe Gen 3<br>(PLL BW of 2-4MHz, CDR = 10MHz) |         | 0.01    | 0.05    |                | ps (rms) | 2, 4, 5 |

### Notes for PCIe Filtered Phase Jitter tables (CC) and (IR)

<sup>1</sup> Applies to all differential outputs, guaranteed by design and characterization.

<sup>2</sup> Calculated from Intel-supplied Clock Jitter Tool, when driven by 9SQL495x or equivalent with spread on and off.

<sup>3</sup> Sample size of at least 100K cycles. This figure extrapolates to 108ps pk-pk at 1M cycles for a BER of 1<sup>-12</sup>.

<sup>4</sup> For RMS values, additive jitter is calculated by solving for b [ $b = \sqrt{c^2 - a^2}$ ], where "a" is rms input jitter and "c" is rms total jitter.

<sup>5</sup> IR is the new name for Separate Reference Independent Spread (SRIS) and Separate Reference no Spread (SRNS) PCIe clock architectures. According to the PCIe Base Specification Rev 4.0 version 0.7 draft, the jitter transfer functions and corresponding jitter limits are not defined for the IR clock architecture. Widely accepted industry limits using widely accepted industry filters are used to populate this table. There are no accepted filters or limits for IR clock architectures at PCIe Gen1 or Gen4 data rates.

## Electrical Characteristics–Filtered Phase Jitter Parameters - QPI/UPI

T<sub>AMB</sub> = over the specified operating range. Supply Voltages per normal operation conditions, See Test Loads for Loading Conditions

| Symbol                 | Parameter                          | Conditions   | Minimum | Typical     | Maximum     | Specification Limit | Units    | Notes   |
|------------------------|------------------------------------|--|---------|-------------|-------------|---------------------|----------|---------|
| t <sub>phQPI_UPI</sub> | Phase Jitter, PLL Mode             | QPI & UPI<br>(100MHz or 133MHz, 4.8Gb/s, 6.4Gb/s 12UI) |         | 0.14        | 0.30        | 0.5                 | ps (rms) | 1, 2    |
|                        |                                    | QPI & UPI<br>(100MHz, 8.0Gb/s, 12UI)                   |         | 0.07        | 0.13        | 0.3                 | ps (rms) | 1, 2    |
|                        |                                    | QPI & UPI<br>(100MHz, ?9.6Gb/s, 12UI)                  |         | 0.06        | 0.1         | 0.2                 | ps (rms) | 1, 2    |
| t <sub>phIF-UPI</sub>  |                                    | IF-UPI   |         | 0.1<br>0.17 | 0.14<br>0.2 | 1                   | ps (rms) | 1, 4, 5 |
| t <sub>phQPI_UPI</sub> | Additive Phase Jitter, Bypass mode | QPI & UPI<br>(100MHz or 133MHz, 4.8Gb/s, 6.4Gb/s 12UI) |         | 0.0         | 0.01        | Not Applicable      | ps (rms) | 1, 2, 3 |
|                        |                                    | QPI & UPI<br>(100MHz, 8.0Gb/s, 12UI)                   |         | 0.0         | 0.01        |                     | ps (rms) | 1, 2, 3 |
|                        |                                    | QPI & UPI<br>(100MHz, ?9.6Gb/s, 12UI)                  |         | 0.0         | 0.01        |                     | ps (rms) | 1, 2, 3 |
| t <sub>phIF-UPI</sub>  | IF-UPI                             |  | 0.06    | 0.07        | ps (rms)    |                     | 1, 4     |         |

<sup>1</sup> Applies to all differential outputs, guaranteed by design and characterization.

<sup>2</sup> Calculated from Intel-supplied Clock Jitter Tool, when driven by 9SQL495x or equivalent with spread on and off.

<sup>3</sup> For RMS values, additive jitter is calculated by solving for b [ $b = \sqrt{c^2 - a^2}$ ], where "a" is rms input jitter and "c" is rms total jitter.

<sup>4</sup> Calculated from phase noise analyzer when driven by Wenzel Associates source with Intel-specified brick-wall filter applied.

<sup>5</sup> Top number is when the buffer is in Low BW mode, bottom number is when the buffer is in High BW mode.

## Electrical Characteristics–Unfiltered Phase Jitter Parameters - 12kHz to 20MHz

T<sub>AMB</sub> = over the specified operating range. Supply voltages per normal operation conditions; see Test Loads for loading conditions

| Symbol                    | Parameter                          | Conditions                   | Minimum | Typical | Maximum | Industry Limit | Units    | Notes   |
|---------------------------|------------------------------------|------------------------------|---------|---------|---------|----------------|----------|---------|
| t <sub>ph12k-20MHi</sub>  | Phase Jitter, PLL Mode             | PLL High BW, SSC OFF, 100MHz |         | 171     | 225     | Not Applicable | fs (rms) | 1, 2    |
| t <sub>ph12k-20MLo</sub>  | Phase Jitter, PLL Mode             | PLL Low BW, SSC OFF, 100MHz  |         | 184     | 225     |                | fs (rms) | 1, 2    |
| t <sub>ph12k-20MByp</sub> | Additive Phase Jitter, Bypass Mode | Bypass Mode, SSC OFF, 100MHz |         | 107     | 125     |                | fs (rms) | 1, 2, 3 |

<sup>1</sup> Applies to all outputs when driven by Wenzel Associates source.

<sup>2</sup> 12kHz to 20MHz brick wall filter.

<sup>3</sup> For RMS values, additive jitter is calculated by solving for b [ $b = \sqrt{c^2 - a^2}$ ], where "a" is rms input jitter and "c" is rms total jitter.

## Clock Periods–Differential Outputs with Spread Spectrum Disabled

| SSC OFF | Center Frequency MHz | Measurement Window         |                                 |                                 |                      |                                 |                                 |                            | Units | Notes |
|---------|----------------------|----------------------------|---------------------------------|---------------------------------|----------------------|---------------------------------|---------------------------------|----------------------------|-------|-------|
|         |                      | 1 Clock                    | 1µs                             | 0.1s                            | 0.1s                 | 0.1s                            | 1µs                             | 1 Clock                    |       |       |
|         |                      | -c2c jitter AbsPer Minimum | -SSC Short-Term Average Minimum | - ppm Long-Term Average Minimum | 0 ppm Period Nominal | + ppm Long-Term Average Maximum | +SSC Short-Term Average Maximum | +c2c jitter AbsPer Maximum |       |       |
| DIF     | 100.00               | 9.94900                    |                                 | 9.99900                         | 10.00000             | 10.00100                        |                                 | 10.05100                   | ns    | 1,2,3 |
|         | 133.33               | 7.44925                    |                                 | 7.49925                         | 7.50000              | 7.50075                         |                                 | 7.55075                    | ns    | 1,2,4 |

## Clock Periods–Differential Outputs with Spread Spectrum Enabled

| SSC ON | Center Frequency MHz | Measurement Window         |                                 |                                 |                      |                                 |                                 |                            | Units | Notes |
|--------|----------------------|----------------------------|---------------------------------|---------------------------------|----------------------|---------------------------------|---------------------------------|----------------------------|-------|-------|
|        |                      | 1 Clock                    | 1µs                             | 0.1s                            | 0.1s                 | 0.1s                            | 1µs                             | 1 Clock                    |       |       |
|        |                      | -c2c jitter AbsPer Minimum | -SSC Short-Term Average Minimum | - ppm Long-Term Average Minimum | 0 ppm Period Nominal | + ppm Long-Term Average Maximum | +SSC Short-Term Average Maximum | +c2c jitter AbsPer Maximum |       |       |
| DIF    | 99.75                | 9.94906                    | 9.99906                         | 10.02406                        | 10.02506             | 10.02607                        | 10.05107                        | 10.10107                   | ns    | 1,2,3 |
|        | 133.00               | 7.44930                    | 7.49930                         | 7.51805                         | 7.51880              | 7.51955                         | 7.53830                         | 7.58830                    | ns    | 1,2,4 |

**Notes:**

<sup>1</sup> Guaranteed by design and characterization, not 100% tested in production.

<sup>2</sup> All Long Term Accuracy specifications are guaranteed with the assumption that the input clock complies with CK420BQ accuracy requirements (+/-100ppm). The buffer itself does not contribute to ppm error.

<sup>3</sup> Driven by SRC output of main clock, 100MHz PLL Mode or Bypass Mode.

<sup>4</sup> Driven by CPU output of main clock, 133MHz PLL Mode or Bypass Mode.

## General SMBus Serial Interface Information

### How to Write

- Controller (host) sends a start bit
- Controller (host) sends the write address
- IDT clock will **acknowledge**
- Controller (host) sends the beginning byte location = N
- IDT clock will **acknowledge**
- Controller (host) sends the byte count = X
- IDT clock will **acknowledge**
- Controller (host) starts sending Byte N through Byte N+X-1
- IDT clock will **acknowledge** each byte **one at a time**
- Controller (host) sends a stop bit

| Index Block Write Operation |           |                      |
|-----------------------------|-----------|----------------------|
| Controller (Host)           |           | IDT (Slave/Receiver) |
| T                           | starT bit |                      |
| Slave Address               |           |                      |
| WR                          | WRite     |                      |
|                             |           | ACK                  |
| Beginning Byte = N          |           |                      |
|                             |           | ACK                  |
| Data Byte Count = X         |           |                      |
|                             |           | ACK                  |
| Beginning Byte N            |           |                      |
|                             |           | ACK                  |
| O                           |           |                      |
| O                           |           | O                    |
| O                           |           | O                    |
|                             |           | O                    |
| Byte N + X - 1              |           |                      |
|                             |           | ACK                  |
| P                           | stoP bit  |                      |

### How to Read

- Controller (host) will send a start bit
- Controller (host) sends the write address
- IDT clock will **acknowledge**
- Controller (host) sends the beginning byte location = N
- IDT clock will **acknowledge**
- Controller (host) will send a separate start bit
- Controller (host) sends the read address
- IDT clock will **acknowledge**
- IDT clock will send the data byte count = X
- IDT clock sends Byte N+X-1
- IDT clock sends **Byte 0 through Byte X (if X<sub>(H)</sub> was written to Byte 8)**
- Controller (host) will need to acknowledge each byte
- Controller (host) will send a not acknowledge bit
- Controller (host) will send a stop bit

| Index Block Read Operation |                 |                      |
|----------------------------|-----------------|----------------------|
| Controller (Host)          |                 | IDT (Slave/Receiver) |
| T                          | starT bit       |                      |
| Slave Address              |                 |                      |
| WR                         | WRite           |                      |
|                            |                 | ACK                  |
| Beginning Byte = N         |                 |                      |
|                            |                 | ACK                  |
| RT                         | Repeat starT    |                      |
| Slave Address              |                 |                      |
| RD                         | ReaD            |                      |
|                            |                 | ACK                  |
|                            |                 | Data Byte Count=X    |
|                            |                 |                      |
|                            |                 | Beginning Byte N     |
|                            |                 |                      |
|                            |                 | O                    |
|                            |                 | O                    |
|                            |                 | O                    |
|                            |                 |                      |
|                            |                 | Byte N + X - 1       |
| N                          | Not acknowledge |                      |
| P                          | stoP bit        |                      |

**SMBus Table: PLL Mode and Frequency Select Register**

| Byte 0 | Pin # | Name       | Control Function             | Type | 0                                     | 1             | Default |
|--------|-------|------------|------------------------------|------|---------------------------------------|---------------|---------|
| Bit 7  | 48    | PLL Mode 1 | PLL Operating Mode Rd back 1 | R    | See PLL Operating Mode Readback Table |               | Latch   |
| Bit 6  | 48    | PLL Mode 0 | PLL Operating Mode Rd back 0 | R    |                                       |               | Latch   |
| Bit 5  |       |            | Reserved                     |      |                                       |               | 0       |
| Bit 4  |       |            | Reserved                     |      |                                       |               | 0       |
| Bit 3  |       | PLL_SW_EN  | Enable S/W control of PLL BW | RW   | HW Latch                              | SMBus Control | 0       |
| Bit 2  |       | PLL Mode 1 | PLL Operating Mode 1         | RW   | See PLL Operating Mode Readback Table |               | 1       |
| Bit 1  |       | PLL Mode 0 | PLL Operating Mode 1         | RW   |                                       |               | 1       |
| Bit 0  | 47    | 100M_133M# | Frequency Select Readback    | R    | 133MHz                                | 100MHz        | Latch   |

Note: Setting bit 3 to '1' allows the user to override the latch value from pin 5 via use of bits 2 and 1. Use the values from the PLL Operating Mode Readback Table. Note that Bits 7 and 6 will keep the value originally latched on pin 5. If the user changes these bits, a warm reset of the system will have to be accomplished.

**SMBus Table: Output Control Register**

| Byte 1 | Pin # | Name     | Control Function | Type | 0       | 1               | Default |
|--------|-------|----------|------------------|------|---------|-----------------|---------|
| Bit 7  | 32/33 | DIF_5_En | Output Enable    | RW   | Low/Low | OE# Pin Control | 1       |
| Bit 6  | 28/29 | DIF_4_En | Output Enable    | RW   |         |                 | 1       |
| Bit 5  | 25/26 | DIF_3_En | Output Enable    | RW   |         |                 | 1       |
| Bit 4  | 21/22 | DIF_2_En | Output Enable    | RW   |         |                 | 1       |
| Bit 3  |       |          | Reserved         |      |         |                 | 0       |
| Bit 2  | 16/17 | DIF_1_En | Output Enable    | RW   | Low/Low | OE# Pin Control | 1       |
| Bit 1  | 13/14 | DIF_0_En | Output Enable    | RW   |         |                 | 1       |
| Bit 0  |       |          | Reserved         |      |         |                 | 0       |

**SMBus Table: Output Control Register**

| Byte 2 | Pin # | Name     | Control Function | Type | 0       | 1               | Default |
|--------|-------|----------|------------------|------|---------|-----------------|---------|
| Bit 7  |       |          | Reserved         |      |         |                 | 0       |
| Bit 6  |       |          | Reserved         |      |         |                 | 0       |
| Bit 5  |       |          | Reserved         |      |         |                 | 0       |
| Bit 4  |       |          | Reserved         |      |         |                 | 0       |
| Bit 3  |       |          | Reserved         |      |         |                 | 0       |
| Bit 2  | 39/40 | DIF_7_En | Output Enable    | RW   | Low/Low | OE# Pin Control | 1       |
| Bit 1  |       |          | Reserved         |      |         |                 | 0       |
| Bit 0  | 35/36 | DIF_6_En | Output Enable    | RW   | Low/Low | OE# Pin Control | 1       |

**SMBus Table: Reserved Register**

| Byte 3 | Pin # | Name | Control Function | Type | 0 | 1 | Default |
|--------|-------|------|------------------|------|---|---|---------|
| Bit 7  |       |      | Reserved         |      |   |   | 0       |
| Bit 6  |       |      | Reserved         |      |   |   | 0       |
| Bit 5  |       |      | Reserved         |      |   |   | 0       |
| Bit 4  |       |      | Reserved         |      |   |   | 0       |
| Bit 3  |       |      | Reserved         |      |   |   | 0       |
| Bit 2  |       |      | Reserved         |      |   |   | 0       |
| Bit 1  |       |      | Reserved         |      |   |   | 0       |
| Bit 0  |       |      | Reserved         |      |   |   | 0       |

**SMBus Table: Reserved Register**

| Byte 4 | Pin # | Name | Control Function | Type | 0 | 1 | Default |
|--------|-------|------|------------------|------|---|---|---------|
| Bit 7  |       |      | Reserved         |      |   |   | 0       |
| Bit 6  |       |      | Reserved         |      |   |   | 0       |
| Bit 5  |       |      | Reserved         |      |   |   | 0       |
| Bit 4  |       |      | Reserved         |      |   |   | 0       |
| Bit 3  |       |      | Reserved         |      |   |   | 0       |
| Bit 2  |       |      | Reserved         |      |   |   | 0       |
| Bit 1  |       |      | Reserved         |      |   |   | 0       |
| Bit 0  |       |      | Reserved         |      |   |   | 0       |

**SMBus Table: Vendor & Revision ID Register**

| Byte 5 | Pin # | Name | Control Function | Type | 0            | 1 | Default |
|--------|-------|------|------------------|------|--------------|---|---------|
| Bit 7  | -     | RID3 | REVISION ID      | R    | E rev = 0100 |   | 0       |
| Bit 6  | -     | RID2 |                  | R    |              |   | 1       |
| Bit 5  | -     | RID1 |                  | R    |              |   | 0       |
| Bit 4  | -     | RID0 |                  | R    |              |   | 0       |
| Bit 3  | -     | VID3 | VENDOR ID        | R    | -            | - | 0       |
| Bit 2  | -     | VID2 |                  | R    | -            | - | 0       |
| Bit 1  | -     | VID1 |                  | R    | -            | - | 0       |
| Bit 0  | -     | VID0 |                  | R    | -            | - | 1       |

**SMBus Table: DEVICE ID**

| Byte 6 | Pin # | Name | Control Function  | Type | 0                                | 1 | Default |
|--------|-------|------|-------------------|------|----------------------------------|---|---------|
| Bit 7  | -     |      | Device ID 7 (MSB) | R    | 0832 is E6 Hex<br>0852 is F6 Hex |   | 1       |
| Bit 6  | -     |      | Device ID 6       | R    |                                  |   | 1       |
| Bit 5  | -     |      | Device ID 5       | R    |                                  |   | 1       |
| Bit 4  | -     |      | Device ID 4       | R    |                                  |   | x       |
| Bit 3  | -     |      | Device ID 3       | R    |                                  |   | x       |
| Bit 2  | -     |      | Device ID 2       | R    |                                  |   | x       |
| Bit 1  | -     |      | Device ID 1       | R    |                                  |   | x       |
| Bit 0  | -     |      | Device ID 0       | R    |                                  |   | x       |

**SMBus Table: Byte Count Register**

| Byte 7 | Pin # | Name | Control Function  | Type | 0   | 1 | Default |
|--------|-------|------|---|------|---|---|---------|
| Bit 7  |       |      | Reserved  |      |   |   | 0       |
| Bit 6  |       |      | Reserved  |      |   |   | 0       |
| Bit 5  |       |      | Reserved  |      |   |   | 0       |
| Bit 4  | -     | BC4  | Writing to this register configures how many bytes will be read back. | RW   | Default value is 8 hex, so 9 bytes (0 to 8) will be read back by default. |   | 0       |
| Bit 3  | -     | BC3  |   | RW   |   |   | 1       |
| Bit 2  | -     | BC2  |   | RW   |   |   | 0       |
| Bit 1  | -     | BC1  |   | RW   |   |   | 0       |
| Bit 0  | -     | BC0  |   | RW   |   |   | 0       |

**SMBus Table: Reserved Register**

| Byte 8 | Pin # | Name | Control Function | Type | 0 | 1 | Default |
|--------|-------|------|------------------|------|---|---|---------|
| Bit 7  |       |      | Reserved         |      |   |   | 0       |
| Bit 6  |       |      | Reserved         |      |   |   | 0       |
| Bit 5  |       |      | Reserved         |      |   |   | 0       |
| Bit 4  |       |      | Reserved         |      |   |   | 0       |
| Bit 3  |       |      | Reserved         |      |   |   | 0       |
| Bit 2  |       |      | Reserved         |      |   |   | 0       |
| Bit 1  |       |      | Reserved         |      |   |   | 0       |
| Bit 0  |       |      | Reserved         |      |   |   | 0       |

## Package Outline Drawings

The package outline drawings are appended at the end of this document and are accessible from the link below. The package information is the most current data available.

[www.idt.com/document/psc/48-vfqfn-package-outline-drawing-60-x-60-x-090-mm-body-epad-42-x-42-mm-040mm-pitch-ndg48p2](http://www.idt.com/document/psc/48-vfqfn-package-outline-drawing-60-x-60-x-090-mm-body-epad-42-x-42-mm-040mm-pitch-ndg48p2)

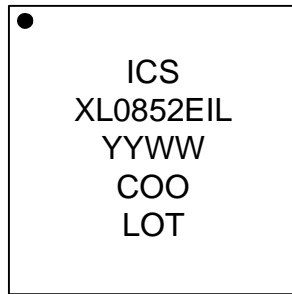
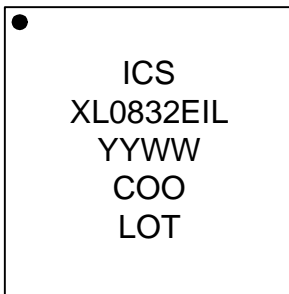
## Ordering Information

| Orderable Part Number | Package                         | Carrier Type | Temperature   |
|-----------------------|---------------------------------|--------------|---------------|
| 9ZXL0832EKILF         | 6 x 6 mm, 0.4mm pitch 48-VFQFPN | Tray         | -40° to +85°C |
| 9ZXL0832EKILFT        | 6 x 6 mm, 0.4mm pitch 48-VFQFPN | Reel         | -40° to +85°C |
| 9ZXL0852EKILF         | 6 x 6 mm, 0.4mm pitch 48-VFQFPN | Tray         | -40° to +85°C |
| 9ZXL0852EKILFT        | 6 x 6 mm, 0.4mm pitch 48-VFQFPN | Reel         | -40° to +85°C |

“LF” designates PB-free configuration, RoHS compliant.

“E” is the device revision designator (will not correlate with the datasheet revision).

## Marking Diagrams



1. “I” denotes industrial temperature range
2. “L” denotes RoHS compliant package.
3. “YYWW” denotes the last two digits of the year and week the part was assembled.
4. “COO” denotes country of origin.
5. “LOT” denotes the lot number.

## Revision History

| Revision Date      | Description of Change  |
|--------------------|--|
| November 30, 2018  | Updated tPD_BYP minimum and maximum values to 2 and 3, respectively. |
| August 14, 2018    | Updated block diagram.   |
| July 17, 2018      | Corrected typos in Byte 1, bits 1 and 2.                             |
| April 13, 2018     | Updated absolute maximum supply voltage rating and VIHSMB to 3.9V.   |
| December 1, 2017   | Removed “5V tolerant” reference in pins 6 and 7 descriptions.        |
| September 29, 2017 | Initial release.   |



Corporate Headquarters  
6024 Silver Creek Valley Road  
San Jose, CA 95138 USA  
[www.IDT.com](http://www.IDT.com)

Sales  
1-800-345-7015 or 408-284-8200  
Fax: 408-284-2775  
[www.IDT.com/go/sales](http://www.IDT.com/go/sales)

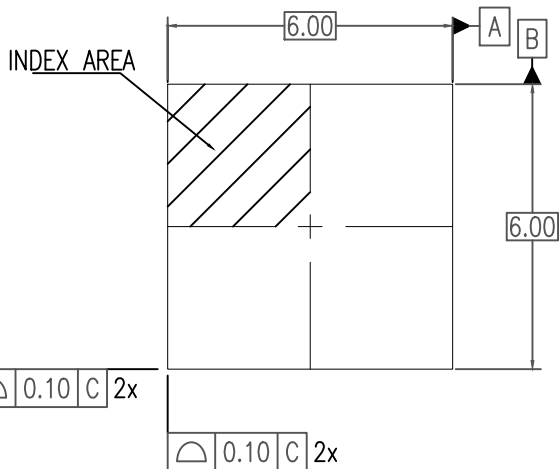
Tech Support  
[www.IDT.com/go/support](http://www.IDT.com/go/support)

DISCLAIMER Integrated Device Technology, Inc. (IDT) and its affiliated companies (herein referred to as "IDT") reserve the right to modify the products and/or specifications described herein at any time, without notice, at IDT's sole discretion. Performance specifications and operating parameters of the described products are determined in an independent state and are not guaranteed to perform the same way when installed in customer products. The information contained herein is provided without representation or warranty of any kind, whether express or implied, including, but not limited to, the suitability of IDT's products for any particular purpose, an implied warranty of merchantability, or non-infringement of the intellectual property rights of others. This document is presented only as a guide and does not convey any license under intellectual property rights of IDT or any third parties.

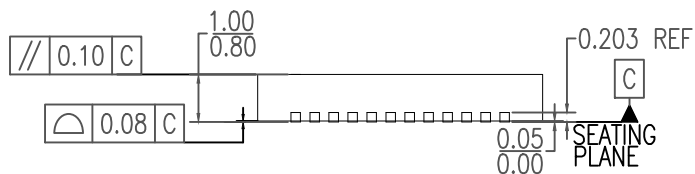
IDT's products are not intended for use in applications involving extreme environmental conditions or in life support systems or similar devices where the failure or malfunction of an IDT product can be reasonably expected to significantly affect the health or safety of users. Anyone using an IDT product in such a manner does so at their own risk, absent an express, written agreement by IDT.

Integrated Device Technology, IDT and the IDT logo are trademarks or registered trademarks of IDT and its subsidiaries in the United States and other countries. Other trademarks used herein are the property of IDT or their respective third party owners. For datasheet type definitions and a glossary of common terms, visit [www.idt.com/go/glossary](http://www.idt.com/go/glossary). Integrated Device Technology, Inc. All rights reserved.

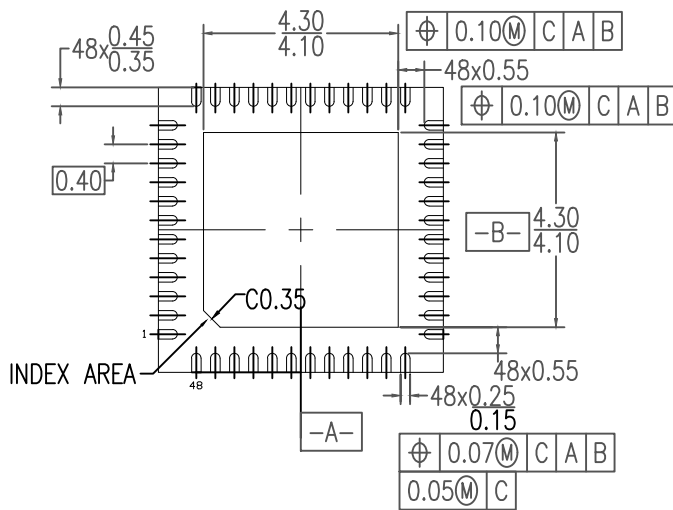




TOP VIEW



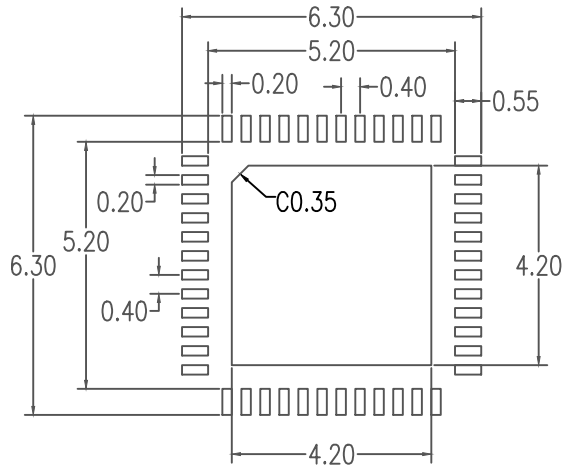
SIDE VIEW



BOTTOM VIEW

NOTES:

1. ALL DIMENSIONING AND TOLERANCING CONFORM TO ANSI Y14.5M-1982
2. ALL DIMENSIONS ARE IN MILLIMETERS.



### RECOMMENDED LAND PATTERN DIMENSION

#### NOTES:

1. ALL DIMENSION ARE IN MM. ANGLES IN DEGREES.
2. TOP DOWN VIEW. AS VIEWED ON PCB.
3. LAND PATTERN RECOMMENDATION PER IPC-7351B GENERIC REQUIREMENT FOR SURFACE MOUNT DESIGN AND LAND PATTERN.

| Package Revision History |         |   |
|--------------------------|---------|---|
| Date Created             | Rev No. | Description   |
| July 24, 2018            | Rev 02  | New Format Change QFN to VFQFPN, Recalculate Land Pattern |
| Sept 9, 2014             | Rev 01  | Add Chamfer   |

Компания «Океан Электроники» предлагает заключение долгосрочных отношений при поставках импортных электронных компонентов на взаимовыгодных условиях!

Наши преимущества:

- Поставка оригинальных импортных электронных компонентов напрямую с производств Америки, Европы и Азии, а так же с крупнейших складов мира;
- Широкая линейка поставок активных и пассивных импортных электронных компонентов (более 30 млн. наименований);
- Поставка сложных, дефицитных, либо снятых с производства позиций;
- Оперативные сроки поставки под заказ (от 5 рабочих дней);
- Экспресс доставка в любую точку России;
- Помощь Конструкторского Отдела и консультации квалифицированных инженеров;
- Техническая поддержка проекта, помощь в подборе аналогов, поставка прототипов;
- Поставка электронных компонентов под контролем ВП;
- Система менеджмента качества сертифицирована по Международному стандарту ISO 9001;
- При необходимости вся продукция военного и аэрокосмического назначения проходит испытания и сертификацию в лаборатории (по согласованию с заказчиком);
- Поставка специализированных компонентов военного и аэрокосмического уровня качества (Xilinx, Altera, Analog Devices, Intersil, Interpoint, Microsemi, Actel, Aeroflex, Peregrine, VPT, Syfer, Eurofarad, Texas Instruments, MS Kennedy, Miteq, Cobham, E2V, MA-COM, Hittite, Mini-Circuits, General Dynamics и др.);

Компания «Океан Электроники» является официальным дистрибьютором и эксклюзивным представителем в России одного из крупнейших производителей разъемов военного и аэрокосмического назначения «JONHON», а так же официальным дистрибьютором и эксклюзивным представителем в России производителя высокотехнологичных и надежных решений для передачи СВЧ сигналов «FORSTAR».



## JONHON

«JONHON» (основан в 1970 г.)

Разъемы специального, военного и аэрокосмического назначения:

(Применяются в военной, авиационной, аэрокосмической, морской, железнодорожной, горно- и нефтедобывающей отраслях промышленности)

«FORSTAR» (основан в 1998 г.)

ВЧ соединители, коаксиальные кабели,  
кабельные сборки и микроволновые компоненты:

(Применяются в телекоммуникациях гражданского и специального назначения, в средствах связи, РЛС, а так же военной, авиационной и аэрокосмической отраслях промышленности).



Телефон: 8 (812) 309-75-97 (многоканальный)

Факс: 8 (812) 320-03-32

Электронная почта: [ocean@oceanchips.ru](mailto:ocean@oceanchips.ru)

Web: <http://oceanchips.ru/>

Адрес: 198099, г. Санкт-Петербург, ул. Калинина, д. 2, корп. 4, лит. А