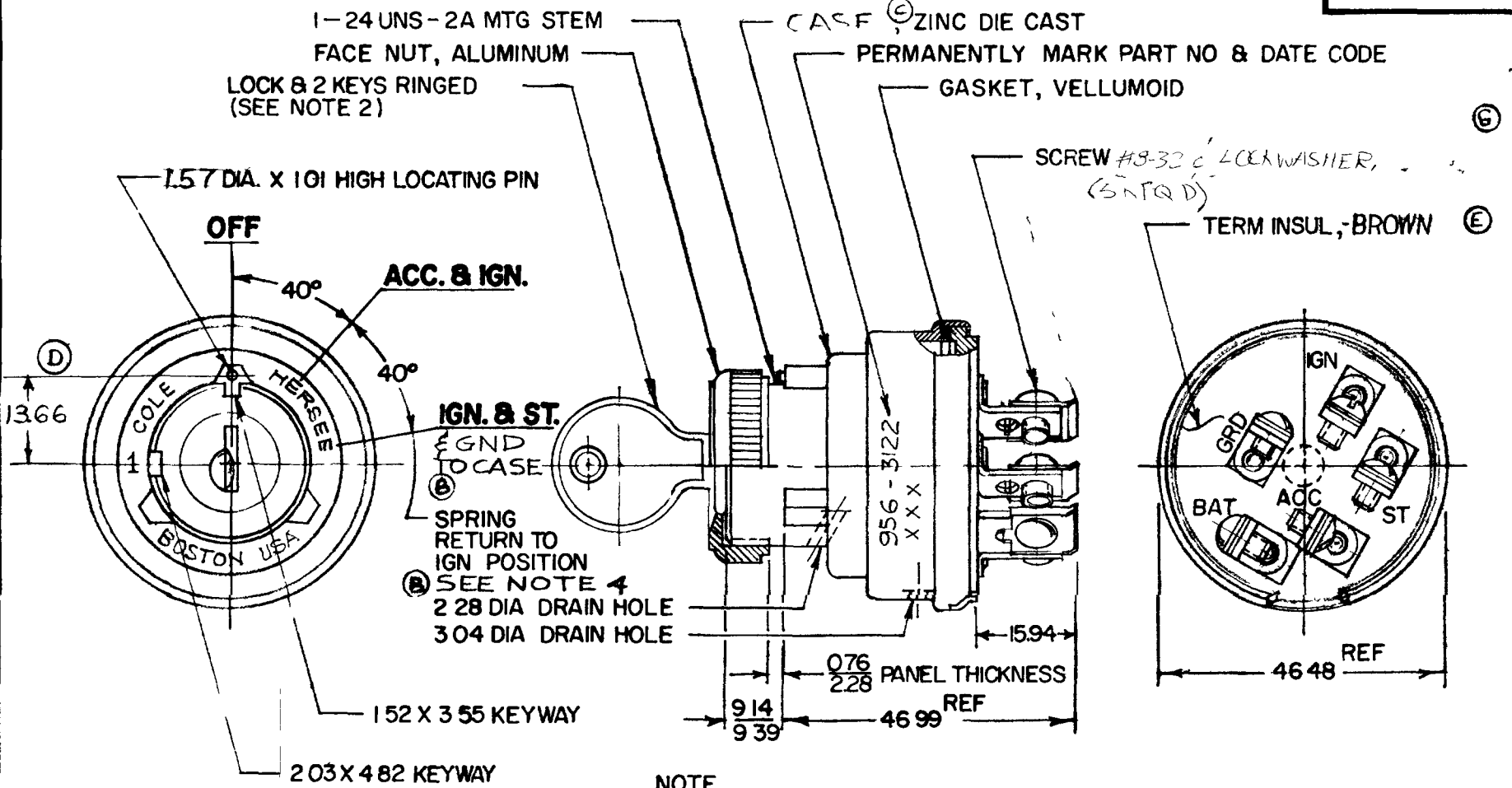


MM	IN
.25	.010
.76	.030
1.01	.040
1.52	.060
1.65	.065
2.03	.080
2.28	.090
3.04	.120
3.55	.140
4.82	.190
9.14	.360
9.39	.370
15.74	.620
16.00	.630
46.48	1.830
46.99	1.850
1.57	.062
13.66	.538

NPM 3-4-76
EX-16393C

APPLICABLE SAE STANDARD OR RECOMMENDED PRACTICE SAE J259

956-3122



- NOTE**
1. TERM INSUL GASKET SEALED
 2. SHUTTER TYPE SEAL ON LOCK FACE
 3. O-RING SEAL AT MTG STEM
 4. START LOCK-OUT FEATURE, SWITCH MUST GO TO "OFF" POSITION BEFORE START CIRCUIT CAN BE RE-ENERGIZED
 5. ALL STEEL PARTS PLATED

METRIC

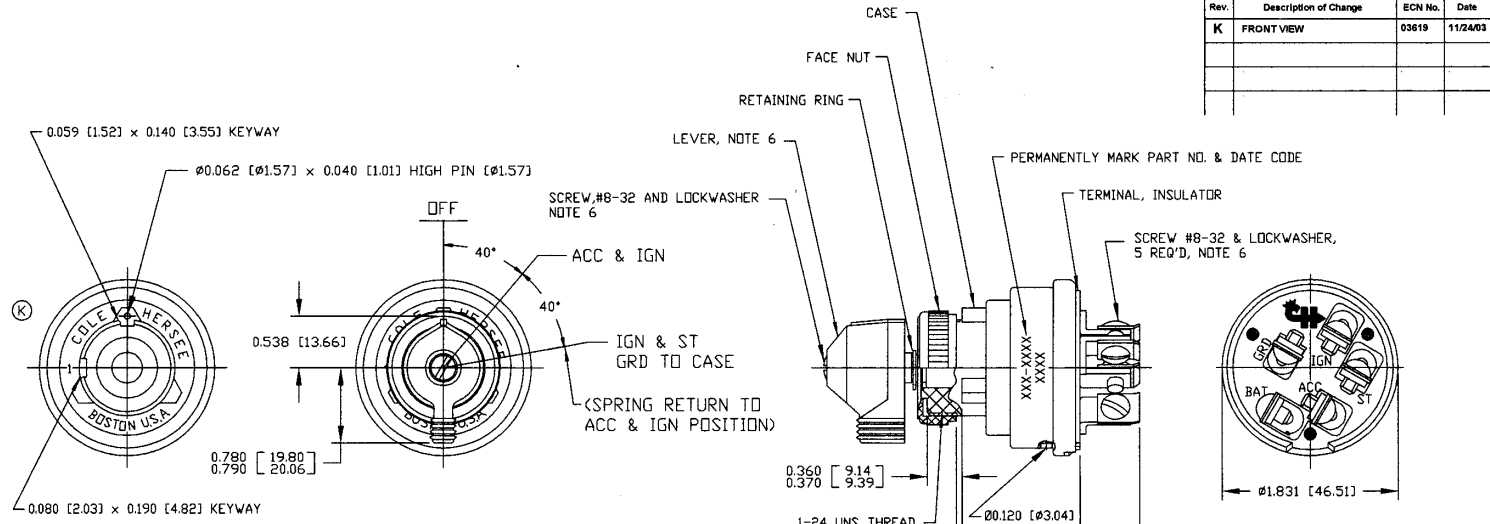
DO NOT SCALE

LET	WAS	DATE	BY	LET	WAS	DATE	BY	MATERIAL	DRAWN	CHECKED	APPR'D	SCALE	DATE DRAWN
				E	ECN 25189	8/13/92	JH	#	EA	4-2-79		1:1	1-6-76
				D	1574/22457	6-5-84	AK	FINISH					DATE BLUEPRINT
				C	HOUSING	8-17-88	DB	#					
G	E 71 REVISION	5-11-90	DB	B	NOTE ADDED 21267	12-22-80	DB	TOLERANCES					
F	CAD ON ZINC / 25239	12/22/92	WA	A	REDRAWN	3-22-79	FR	DECIMAL ±					
								METRIC ± .25	CH Cole Hersee Co. <small>20 OLD DOW AVE SOUT BOSTON MA US 27</small>			3-POSITION IGNITION & START SWITCH	956-3122

CH 188(4 78)

Revision Control Record

Rev.	Description of Change	ECN No.	Date
K	FRONT VIEW	03619	11/24/03



FRONT VIEW SHOWN W/D LEVER AND FACE NUT

- NOTES:
1. ALL DIMENSIONS ARE REFERENCE ONLY
 2. ALL STEEL PARTS PLATED
 3. SHAFT O-RING SEALED TO CASE
 4. TERMINAL INSULATOR GASKET SEALED
 5. START LOCK-OUT FEATURE; SWITCH MUST GO TO "OFF" POSITION BEFORE START CIRCUIT CAN BE RE-ENERGIZED
 6. PARTS MAY BE ASSEMBLED OR SUPPLIED IN A PLASTIC BAG
 7. APPLICABLE SAE STANDARD OR RECOMMENDED PRACTICE SAE J259

Intolerance: Unless otherwise specifically noted, the following are default tolerances:
 • Duplex Decimal Dimensions $\pm .01"$
 • Duplex Decimal Dimensions $\pm .005"$
 • Angular Dimensions ± 1.0 Deg.
 • Metric: Refer to equivalent English Dimension Tolerance
 *** NOTE: All tolerances are Non-Cumulative. ***

Dimensional Limits: All dimensions are expressed in inches except those shown in brackets (mm) are expressed in millimeters.

MSP: or as **Assembled**, \pm Non-Tolerance Reference Dimension, shown for identification purposes only.

Used On: **EX26018** Scale: **1:1**

PROPRIETARY INFORMATION: This Engineering Drawing, and the information contained herein, is property of Cole Hersee Company and may not be disclosed, reproduced, or in any other way transmitted or communicated to any other party without the express written consent of an authorized representative of Cole Hersee Company.

DESIGN CONTROL: It is the responsibility of the individual using/referencing this drawing to ensure that the noted design revision level agrees with the revision level of the Control Document (Master Drawing). This is a NON-CONTROLLED DOCUMENT unless otherwise specifically noted.

DO NOT SCALE: Dimensional variation may occur during printing/reproduction.

Drawn By: **KPC** Date: **4/17/06**

Basic Characteristics:

- ⊕ Critical Characteristics: relating to Safety and/or Regulatory Compliance
- ⊗ Significant Characteristics relating to Process Control (SPC)
- ⓧ Control Dimension relating to Form - Fit - Function as defined by Cole Hersee Company and/or the Customer.

(Note that the identification of any Characteristics as being "Special" does not alter the requirement that ALL specified dimensions & tolerances must be met.)

Responsible Engineer: **Pg. 1 of 1**

Cole Hersee Co.
 30 Old Colony Ave., South Boston, MA, 02127
 Phone: 617-268-2100 Web: www.colehersee.com

Description: **SW, IGN & START, 3 POS**

Drawing / Part No.: **956-3124**

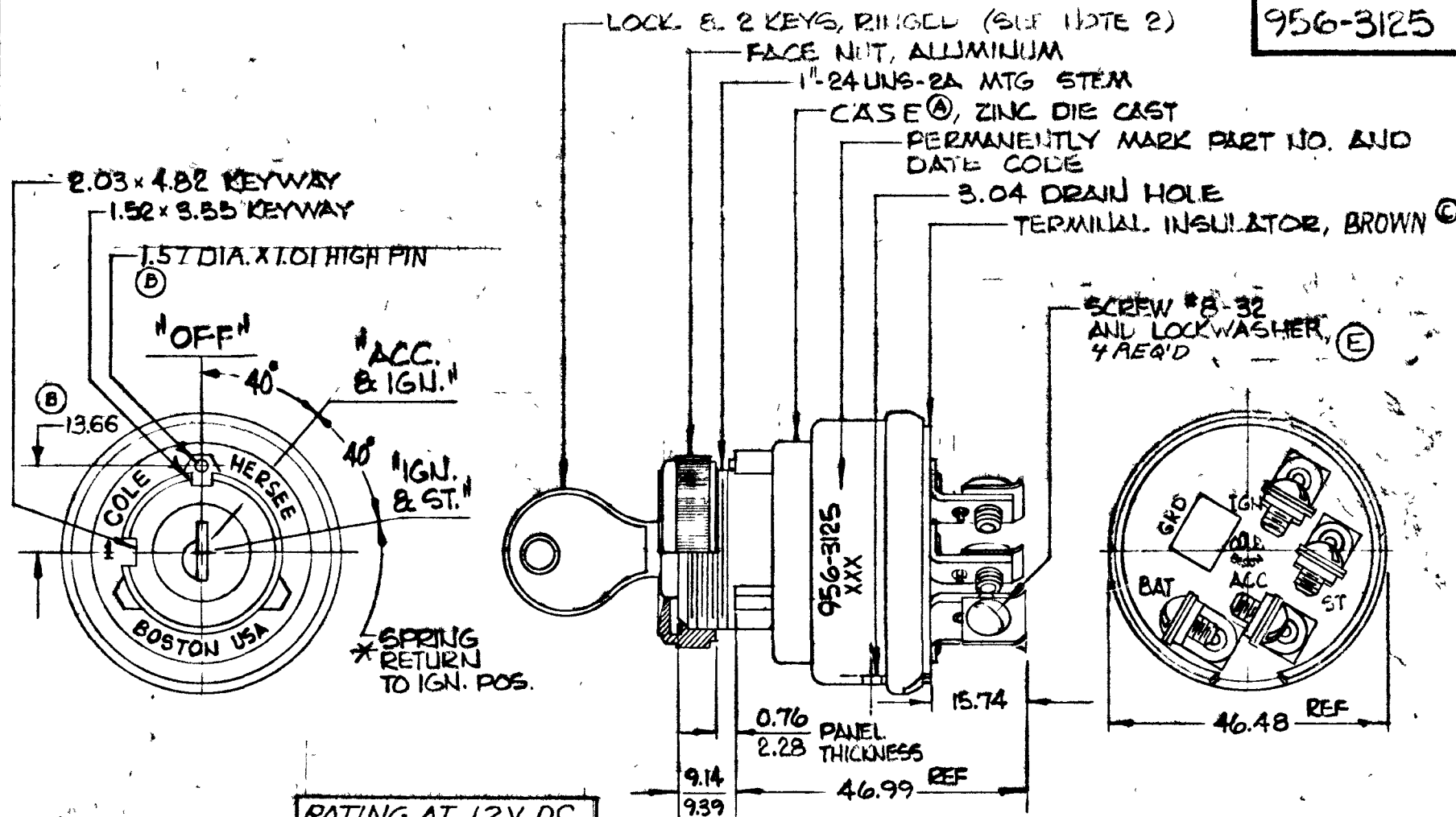
Current Rev.: **K**

ST CIRCUIT	5 AMPS
IGN CIRCUIT	10 AMPS
ACC CIRCUIT	10 AMPS
RATING AT 12 VDC	

MM	IN
0.25	.010
0.76	.030
1.01	.040
1.57	.062
1.52	.059
2.03	.080
2.28	.090
3.55	.140
4.82	.190
9.14	.360
9.39	.370
15.74	.620

46.48	1.850
46.99	1.850
3.04	.120
13.66	.538

COLE-HERSEE CO.
NPM



956-3125

RATING AT 12V DC	
ACC	30 AMPS
IGN	10 AMPS
START	10 AMPS

METRIC

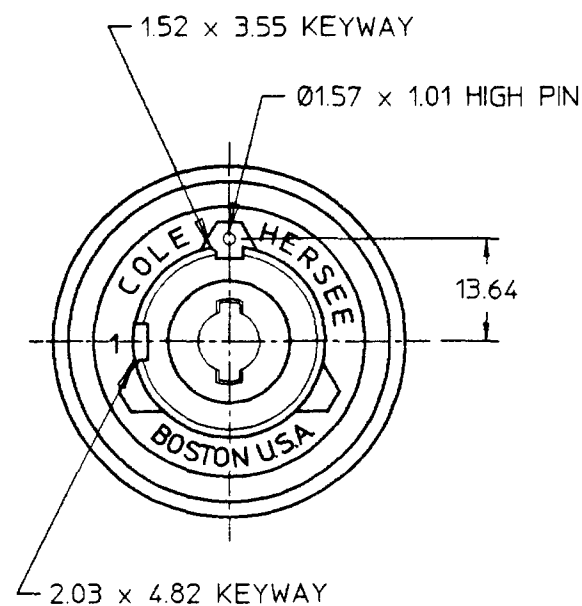
- NOTES:
1. TERMINAL INSULATOR GASKET SEALED.
 2. SHUTTER TYPE SEAL ON LOCK FACE.
 - *3. START LOCK-OUT FEATURE; SWITCH MUST GO TO "OFF" POSITION BEFORE START CIRCUIT CAN BE RE-ENERGIZED.
 4. APPLICABLE SAE STANDARD OR RECOMMENDED PRACTICE SAE J259.
 - ⑤ ALL STEEL PARTS PLATED

DO NOT SCALE

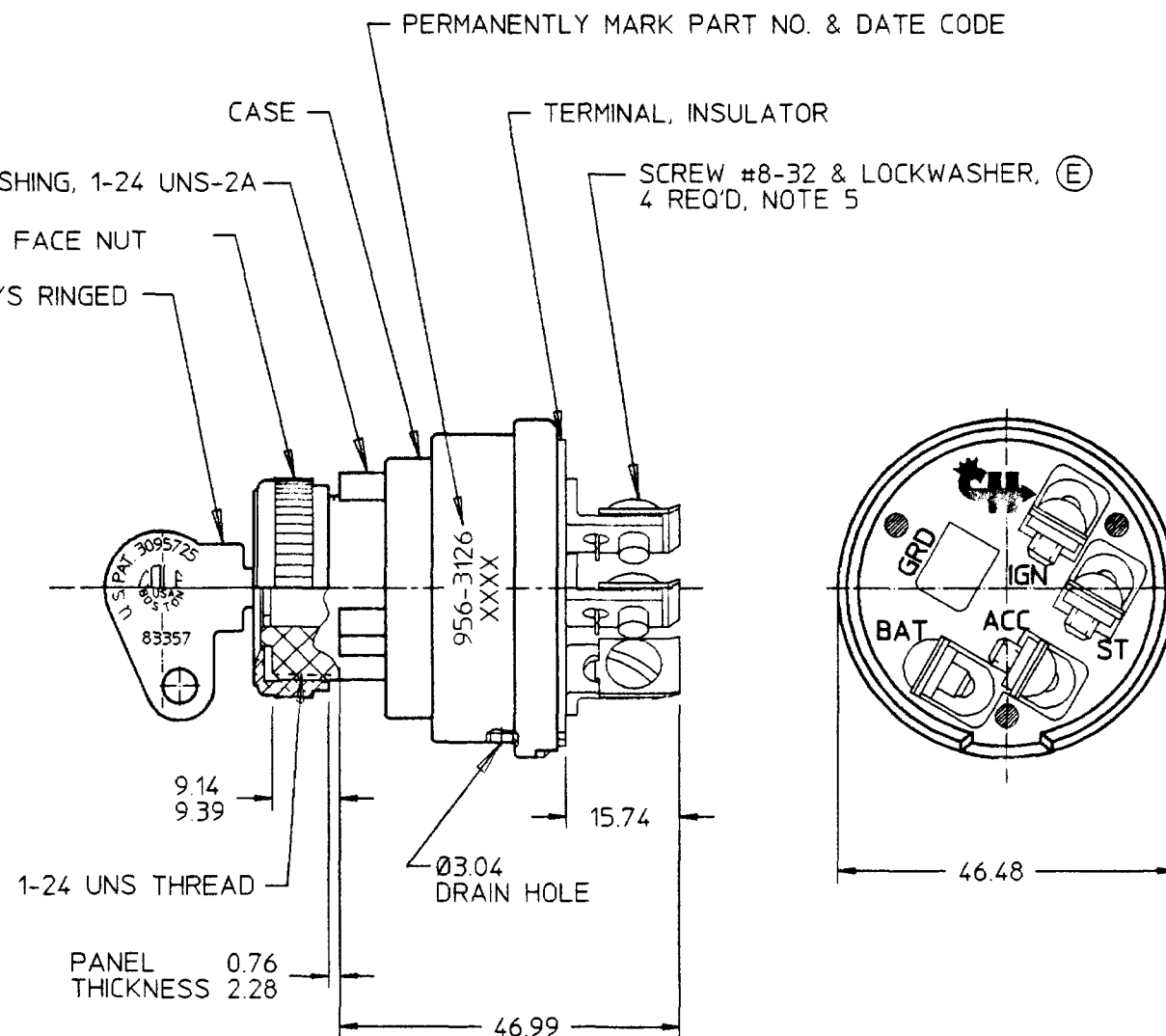
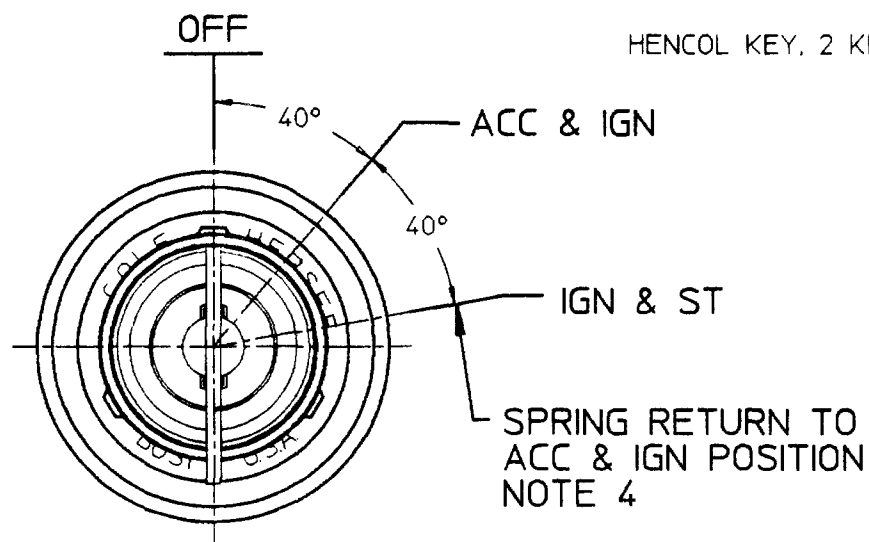
LET	WAS	DATE	BY	LET	WAS	DATE	BY	MATERIAL	DRAWN	CHECKED	APPRV D	SCALE	956-3122 LESS O-RINGS & GND CIRCUIT	DATE DRAWN
				D	NO ADDS/25039	10/20/90	SH	—	KPC	RF		1:1		10-26-76
				C	ECN 25189	8/13/90	SH	FINISH	COLE-HERSEE COMPANY BOSTON, MASS. 02127, U.S.A.					DATE BLUEPRINT
				B	15.02/22457	6-5-84	SH	—						
				A	HOUSING	813-82	OK	TOLERANCES	3-POSITION IGN. & START SWITCH					956-3125
E	ECN 40137	3/1/00	MA		15 JUL	11/2/16	TY	FRACTIONAL ±						
								DECIMAL ±.25						

SPaulding CO., INC 21-5353

MM	IN
0.76	0.030
1.01	0.040
1.52	0.059
1.57	0.061
2.03	0.080
2.28	0.090
3.04	0.120
3.55	0.140
4.82	0.190
9.14	0.360
9.39	0.370
13.66	0.538
19.81	0.780
20.06	0.790
46.48	1.830
46.99	1.850



FRONT VIEW SHOWN W/O KEY AND FACE NUT



- NOTES:
1. ALL DIMENSIONS ARE REFERENCE ONLY
 2. ALL STEEL PARTS PLATED
 3. TERMINAL INSULATOR GASKET SEALED
 4. START LOCK-OUT FEATURE, SWITCH MUST GO TO "OFF" POSITION BEFORE START CIRCUIT CAN BE RE-ENERGIZED
 5. PARTS MAY BE ASSEMBLED OR SUPPLIED IN A PLASTIC BAG
 6. APPLICABLE SAE STANDARD OR RECOMMENDED PRACTICE SAE J259

(E)

DO NOT SCALE

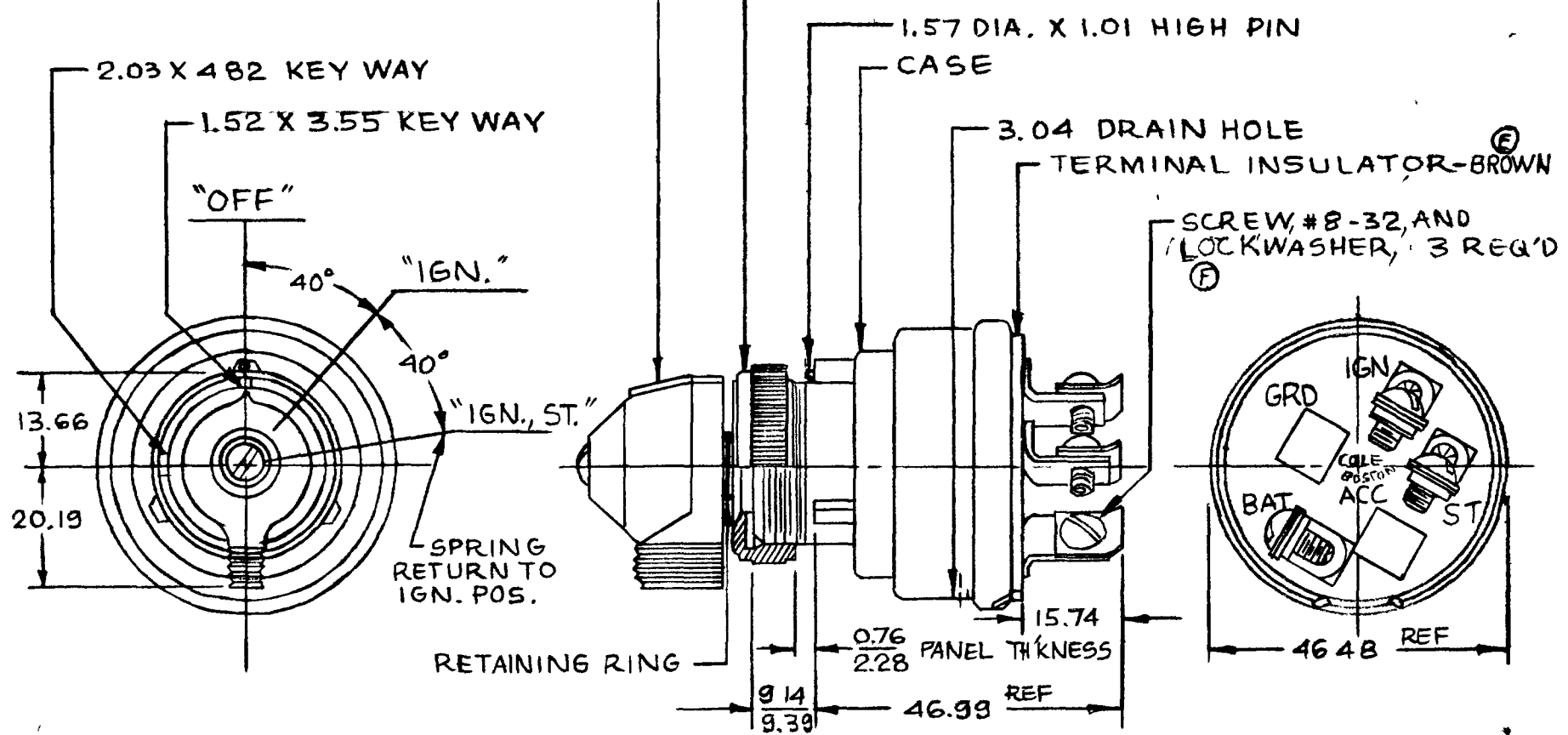
LET.	WAS	DATE	BY	LET.	WAS	DATE	BY	MATERIAL	DRAWN	CHK	APVD	SCALE	DATE DRAWN
									KG	Jmp		1:1	10/27/97
								FINISH	Cole Hersee Co. 20 OLD COLONY AVENUE, BOSTON, MA., U.S.A., 02127				DATE BLUEPRINTED
				F	ECN #98258	04/29/98	COL	TOLERANCES	SW, IGN & START, 3 POS				956-3126
				E	PUT ON CAD ECN #26936	9/12/97	AJS	DECIMAL ± ANGLE ±					

METRIC

MM	IN
0.25	.010
0.76	.030
1.01	.040
1.57	.060
2.03	.080
2.28	.090
2.55	.100
4.82	.190
9.14	.360
9.39	.370
15.74	.620
20.19	.795
46.48	1.830
46.99	1.850
15.74	.620
13.66	.538
3.04	.120

956-3127

APPLICABLE SAE STANDARD OR
RECOMMENDED PRACTICE SAE J259



RATING AT 24 VDC
IGN CIRCUIT 10 AMPS
ST. CIRCUIT 5 AMPS

NOTES:
1. SHAFT O RING SEALED TO HOUSING
2. TERMINAL INSULATOR GASKET SEALED
3. START LOCK-OUT FEATURE; SWITCH MUST GO TO "OFF" POSITION BEFORE START CIRCUIT CAN BE RE-ENERGIZED.

METRIC

DO NOT SCALE

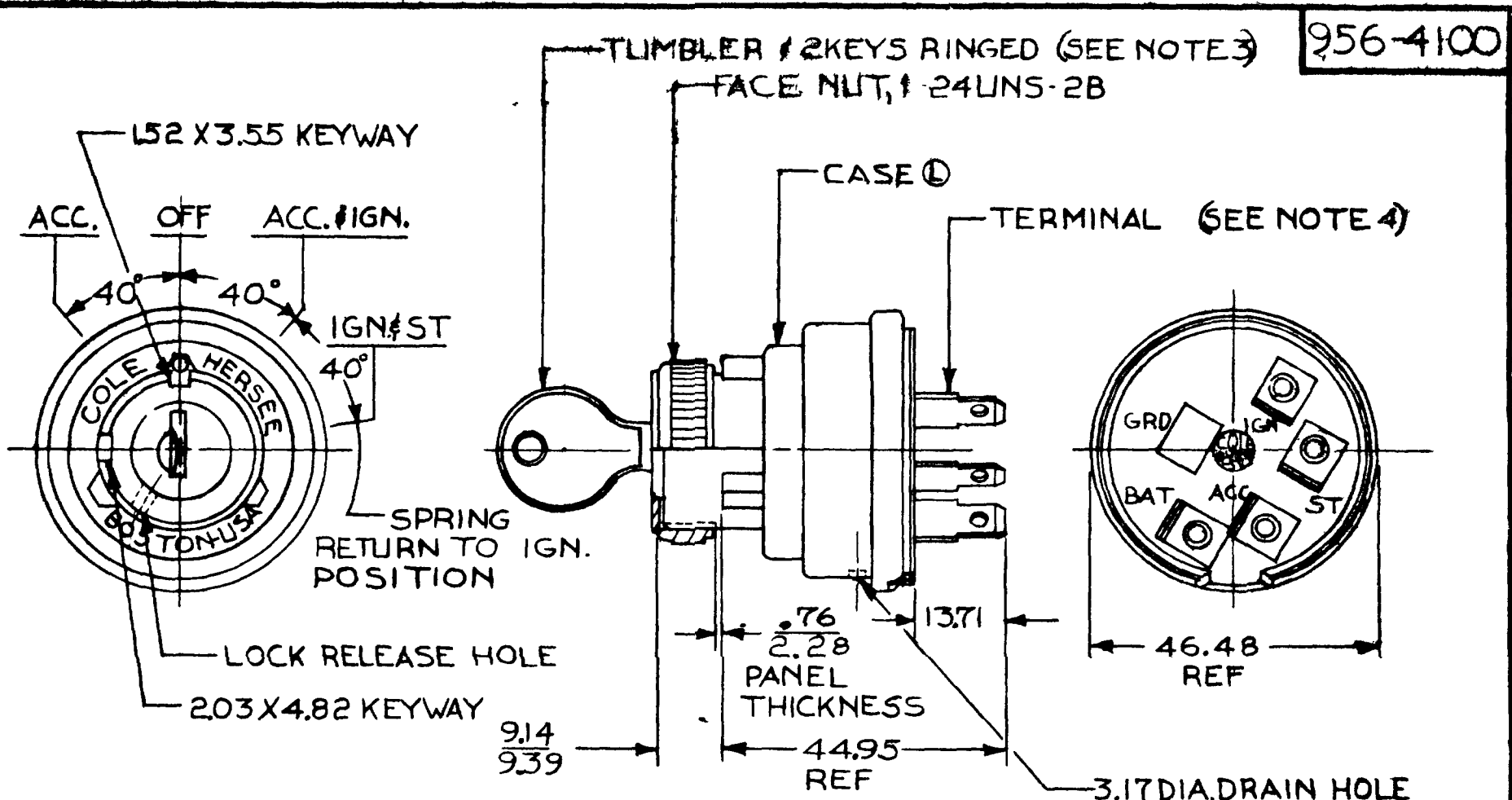
LET	WAS	DATE	BY	LET	WAS	DATE	BY	MATERIAL	DRAWN	CHECKED	APPRV'D	SCALE	DATE DRAWN
								#	EA			1:1	1-10-77
								FINISH					DATE BLUEPRINT
				F	ECN 00140	3/1/00	MA						
				E	ECN 25189	8/1/92	TJH	TOLERANCES					
				D	REDRAWN	10/29/90	BL	DECIMAL ±					
								METRIC ±.25					
3 POSITION IGN. & START SWITCH												956-3127	

CH-188(4-78)

MM IN
 .25 .010
 .76 .030
 1.52 .060
 2.03 .080
 2.28 .090
 3.55 .140
 4.82 .190
 9.14 .360
 9.39 .370
 13.71 .540
 44.95 1.770
 46.48 1.830

TSE-1034

EX 14258



956-4100

METRIC

RATINGS AT 12VDC	
ACC. CIRCUIT	10 AMPS
IGN. "	10 "
ST. "	5 "

- NOTES:
1. APPLICABLE SAE STANDARD OR RECOMMENDED PRACTICE SAE J259
 2. LOCK REMOVABLE IN IGN. POSITION
 3. SHUTTER TYPE SEAL ON LOCK FACE
 4. TERMINALS ARRANGED TO FIT PACKARD CONNECTOR #2962912 OR EQUIV.

DO NOT SCALE

LET	WAS	DATE	BY	LET	WAS	DATE	BY	MATERIAL	DRAWN	CHECKED	APPR'D	SCALE	DATE DRAWN
								#	M.F.	4-28-80		1:1	2-24-66
								FINISH					DATE BLUEPRINT
								TOLERANCES	 30 OLD BOSTON AVENUE SOUTH BOSTON MA U.S.A. 02127				
								DECIMAL ±					IGN & START SWITCH
								METRIC ± .25	(4 POSITION)	956-4100			

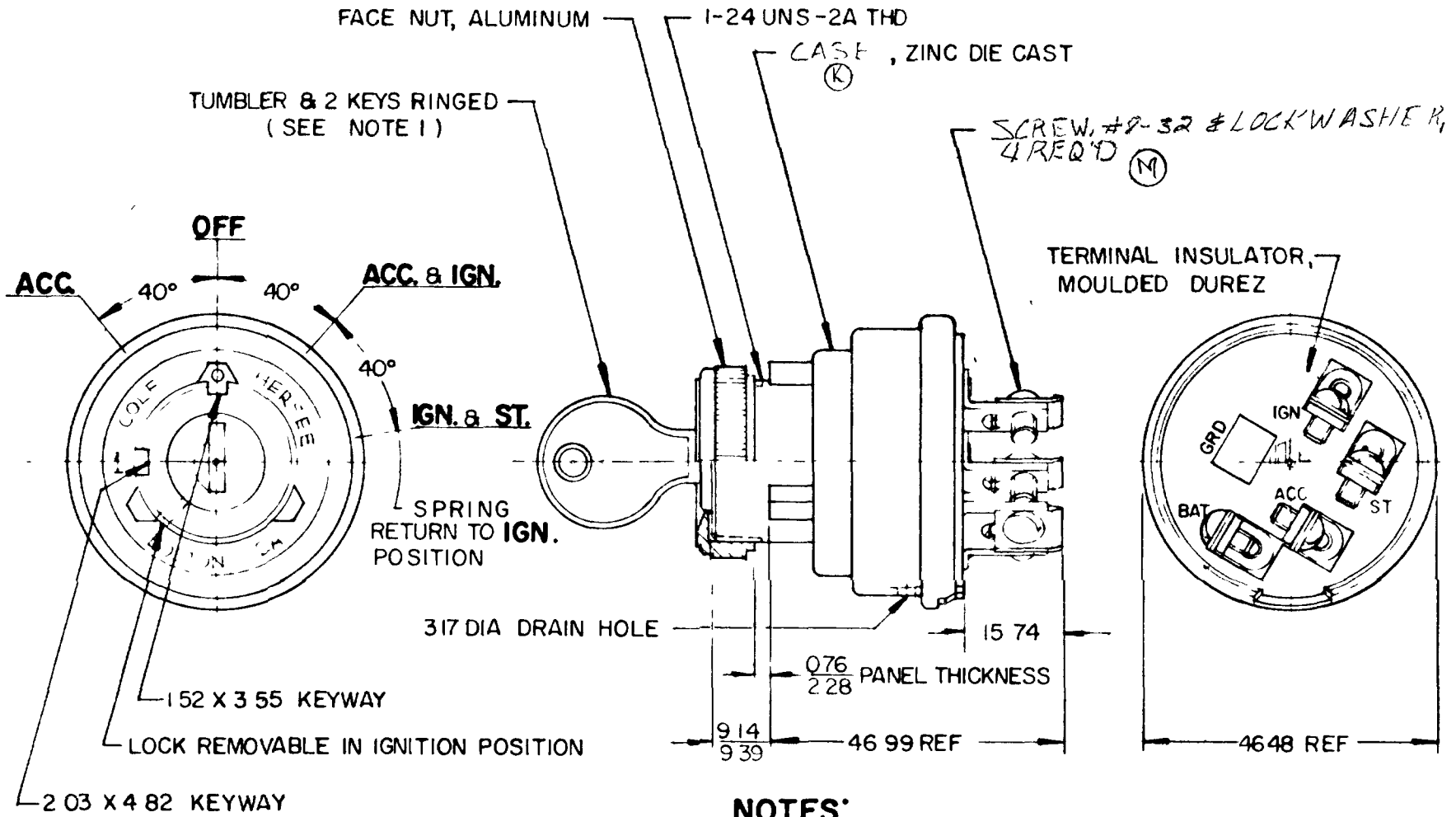
CH-1894-78

MM IN
 0.76 0.1
 1.52 0.2
 2.28 0.3
 3.17 0.4
 3.55 0.4
 4.82 0.5
 9.14 0.36
 9.39 0.37
 15.74 0.62
 46.48 1.83
 46.99 1.85

APPLICABLE SAE STANDARD OR RECOMMENDED PRACTICE SAE J259

956-4104

EX-14258



NOTES:

- 1 SHUTTER TYPE SEAL ON LOCK FACE
- 2 ALL STEEL PARTS PLATED

METRIC

RATINGS AT 12 VDC

ACC CIRCUIT	10 AMPS
IGN CIRCUIT	10 AMPS
ST CIRCUIT	5 AMPS

DO NOT SCALE

LET	WAS	DATE	BY	LET	WAS	DATE	BY	ATERIAL	DRAWN	HEIGHTER	SCALE	DATE DRAWN
								—#—	MF	1-26-79	1:1	3-15-66
				M	ECN 00137	3/1/00	MA	FINISH				DATE BLUEPRINT
				L	CADOK ZINC 125234	12/22/90	JH					
				K	HOUSING	8/15/87	PS	TOLERANCES				
				J	REDRAWN	1/18/79	J	FRACTIONAL ±				
								DECIMAL ± .25				



**4 - POSITION
IGNITION & START SWITCH**

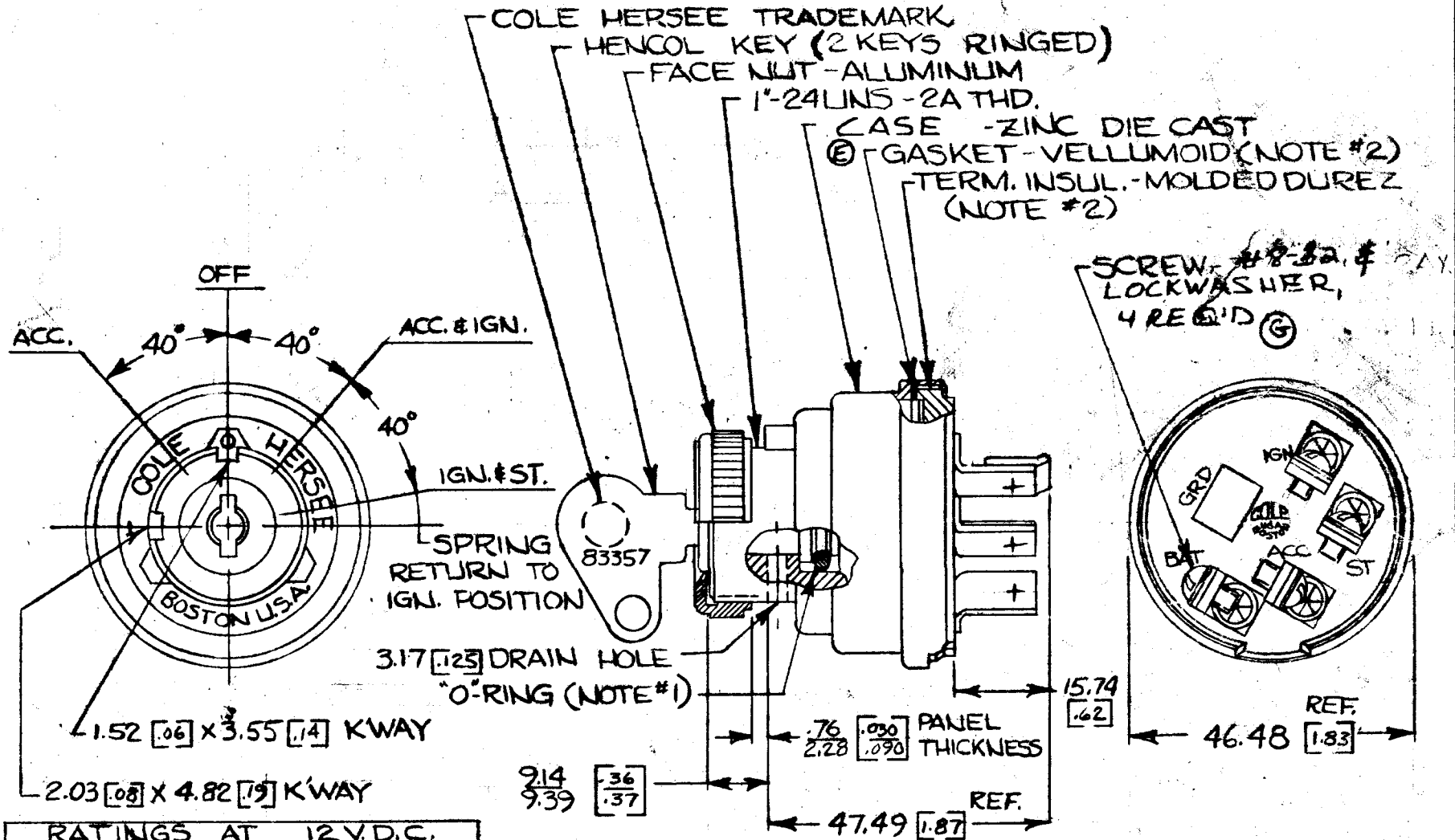
956-4104

APPLICABLE SAE STANDARD OR RECOMMENDED PRACTICE SAE J259

956-4107

COLE-HERSEE CO.

EX-14258



NOTE:
 1) SHAFT O-RING SEALED TO HOUSING
 2) TERMINAL INSULATOR (GASKET SEALED)
 3) ALL STEEL PARTS PLATED DO NOT SCALE

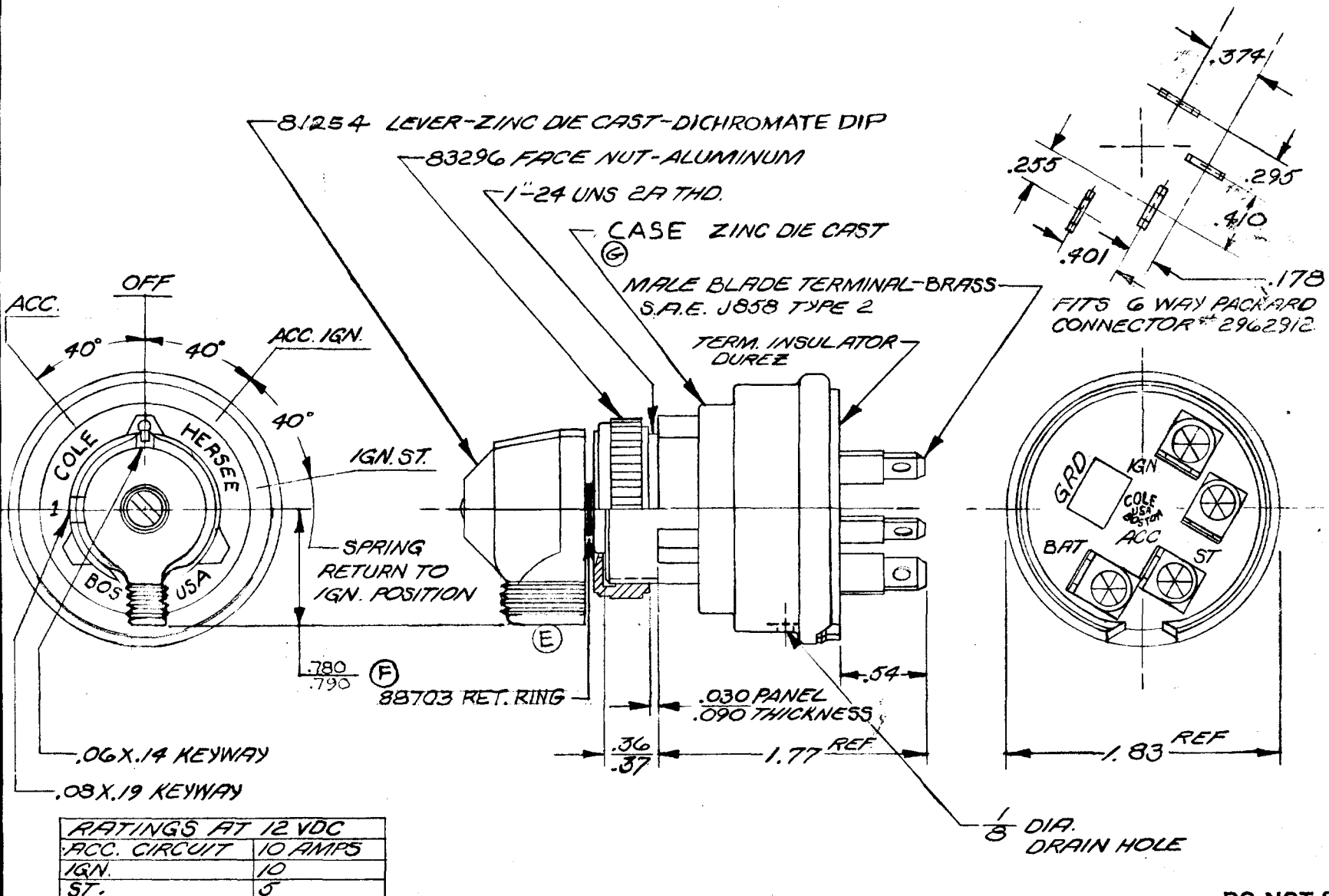
DIMENSIONS: MILLIMETERS [INCHES]

LET	WAS	DATE	BY	LET	WAS	DATE	BY	MATERIAL	DRAWN	CHECKED	APPR'D.	SCALE	DATE DRAWN				
								— #	CF	UM		1:1	9-20-66				
				G	ECN 0137	3/1/60	AM	FINISH	COLE-HERSEE COMPANY BOSTON, MASS. 02127, U.S.A. 4 POSITION IGN. & START SWITCH				DATE BLUEPRINT				
				F	ADD 125234	12/18/92	JH	— #									
				E	HOUSING	8-13-82	PH	TOLERANCES									
				D	REDRAWN	2-11-76	WJ	FRACTIONAL ±					956-4107				
								DECIMAL ±.010									

COLE-HERSEE CO. TSE-#1034

APPLICABLE SAE STANDARD OR RECOMMENDED PRACTICE SAE J259

956-4111



RATINGS AT 12 VDC	
ACC. CIRCUIT	10 AMPS
IGN.	10
ST.	5

DO NOT SCALE

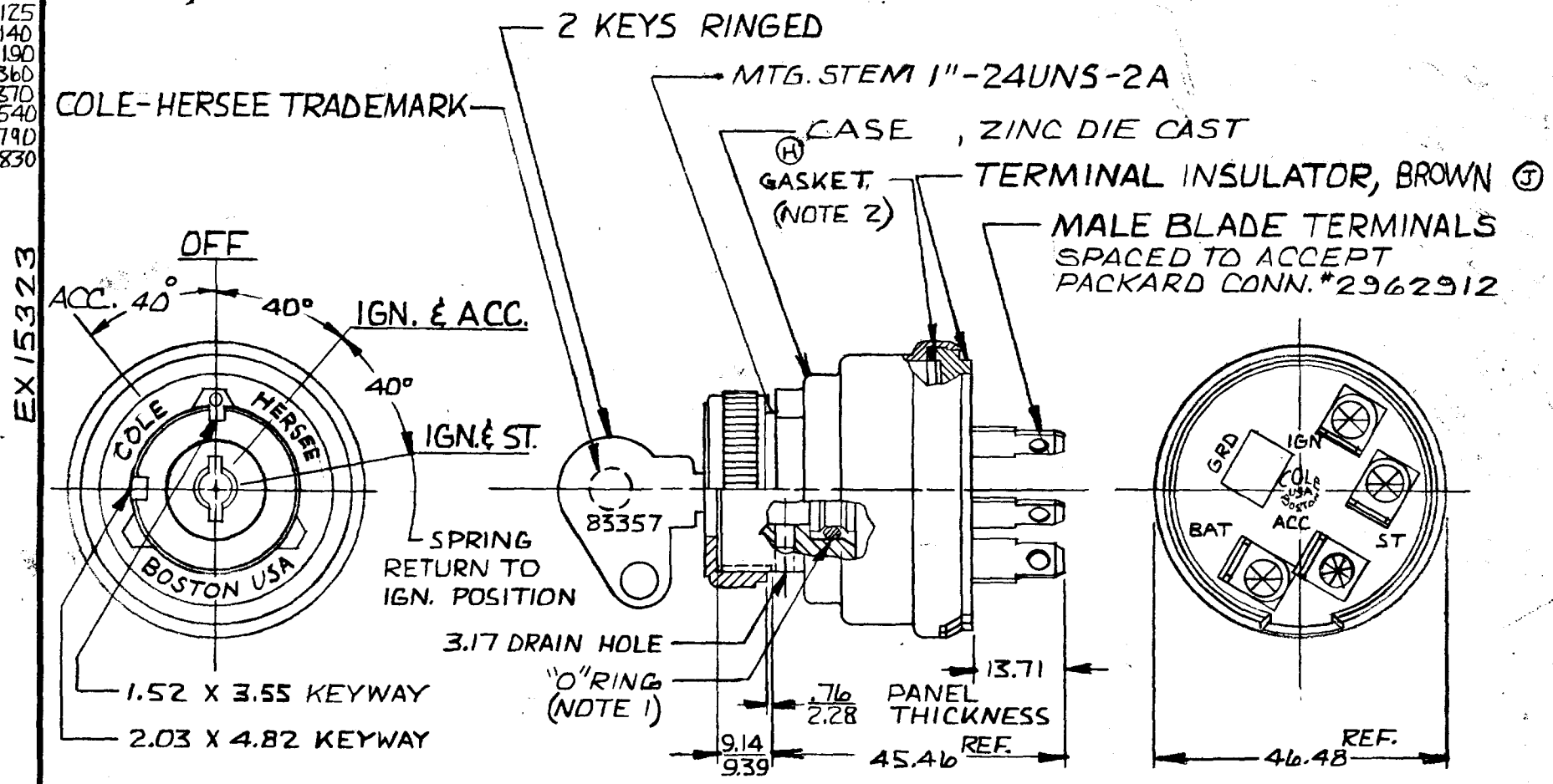
LET	WAS	DATE	BY	LET	WAS	DATE	BY	MATERIAL	DRAWN	CHECKED	APPR'D.	SCALE	DATE DRAWN
				G	HOUSING	8-13-66	CR	///	N.B	UNCL. DIM. 73		FULL	1-18-68
				F	ADDED RING/20329	10-13-78	RR	FINISH	COLE-HERSEE COMPANY BOSTON, MASS. 02127, U.S.A.				DATE BLUEPRINT
				E	LEVER/10343	4-8-77	RE	///					
				D	SAE SPEC ADDED	3-5-74	W	TOLERANCES	4 POSITION IGN. & START SWITCH				956-4111
				C	NO CHANGE	3-21-75	JB	FRACTIONAL ± DECIMAL ±.010					

SPAULDING CO., INC. 47570

MM.	IN.
.25	.010
.76	.030
1.52	.060
2.03	.080
2.28	.090
3.17	.125
3.55	.140
4.82	.190
9.14	.360
9.39	.370
13.71	.540
45.46	1.790
46.48	1.830

956-4113

APPLICABLE SAE STANDARD OR
RECOMMENDED PRACTICE SAE J 259



RATING AT 12 VDC	
IGN	10 AMPS
START	5 AMPS
ACC	30 AMPS

METRIC

- NOTE:
1. SHAFT "O" RING SEALED TO HOUSING
 2. TERMINAL INSULATOR GASKET SEALED

DO NOT SCALE

LET.	WAS	DATE	BY	LET.	WAS	DATE	BY	MATERIAL	DRAWN	CHECKED	APPR'VD.	SCALE	DATE DRAWN
								H	CF	LP6		1:1	3-6-69
								FINISH					DATE BLUEPRINT
				J	ECN 25189	8-13-92	JH						
				H	HOLISING	8-13-88	PS	TOLERANCES					
				G	REDRAWN NO CHANGE	2-26-81	EA	DECIMAL ± METRIC ±.25					
<p>Cole Hersee Co. 20 OLD COLONY AVENUE, SOUTH BOSTON, MA., U.S.A. 02117</p>													
<p>4 POSITION IGN. & START SWITCH</p>												956-4113	

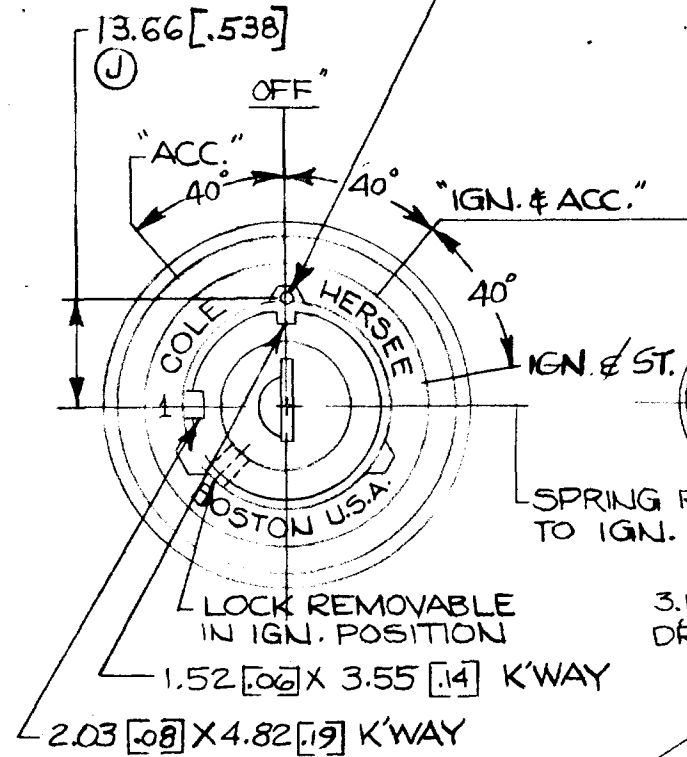
CH-188(4-78)

COLE-HERSEE CO. NPM 9-27-71
EX 16009 E

APPLICABLE SAE STANDARD OR RECOMMENDED PRACTICE SAE J259

956-4116

1.57 [.062] DIA. x 1.01 [.040] HIGH PIN.
①



TUMBLER #2 KEYS-RINGED
FACE NUT-ALUMINUM
1-24 UNF-2A THD.
CASE - ZINC DIE CAST
TERM. INSULATOR - BROWN ②
MALE BLADE TERMS-BRS. SAE J858 TYPE 2 SPACED TO ACCEPT PACKARD ELEC. CONN. NO. 962912

SPRING RETURN TO IGN. POSITION

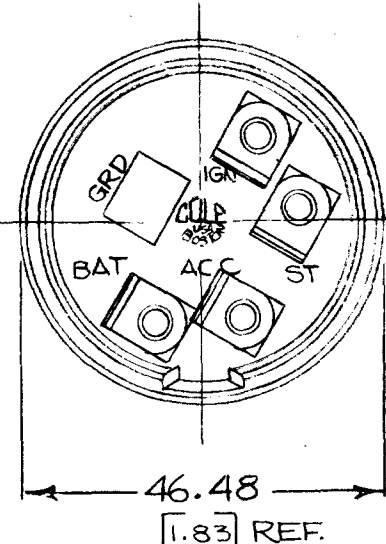
3.17 [.125] DR. HOLE

.76 [.030] 2.28 [.090] PANEL THICK.

13.71 [.54]

9.14 [.36] 9.39 [.37]

44.95 [1.77] REF.



PERMANENTLY MARK SWITCH NO. & DATE CODE ON SIDE OF CASE

- 1) DIMENSIONS : MILLIMETERS [INCHES]
- 2) SILVER LAMINATED CONTACT SURFACES
- 3) SHUTTER TYPE SEAL ON LOCK FACE
- 4) SHOULDER TYPE RIVET CONSTRUCTION
- 5) TERM. INSUL. GASKET SEALED

DO NOT SCALE

LET	WAS	DATE	BY	LET	WAS	DATE	BY	MATERIAL	DRAWN	CHECKED	APPR'D.	SCALE	4100 W/SILVER CONTACTS & FIBERITE TERM. INSUL.	DATE DRAWN
								NOTED	RW	B		1:1		9-16-71
				K	ECN 25189	9/21/72	TSH	FINISH	COLE-HERSEE COMPANY BOSTON, MASS. 02127, U.S.A.					DATE BLUEPRINT
				J	REVISEL/2245	6/6/84	YAK	11						
				H	HOUSING	8-13-88	PPS	TOLERANCES	4 POSITION IGNITION & START SWITCH					956-4116
				G	REDRAWN	7-21-75	JWH	FRACTIONAL ± DECIMAL ±.010						

SPAULDING CO., INC. 21-55259

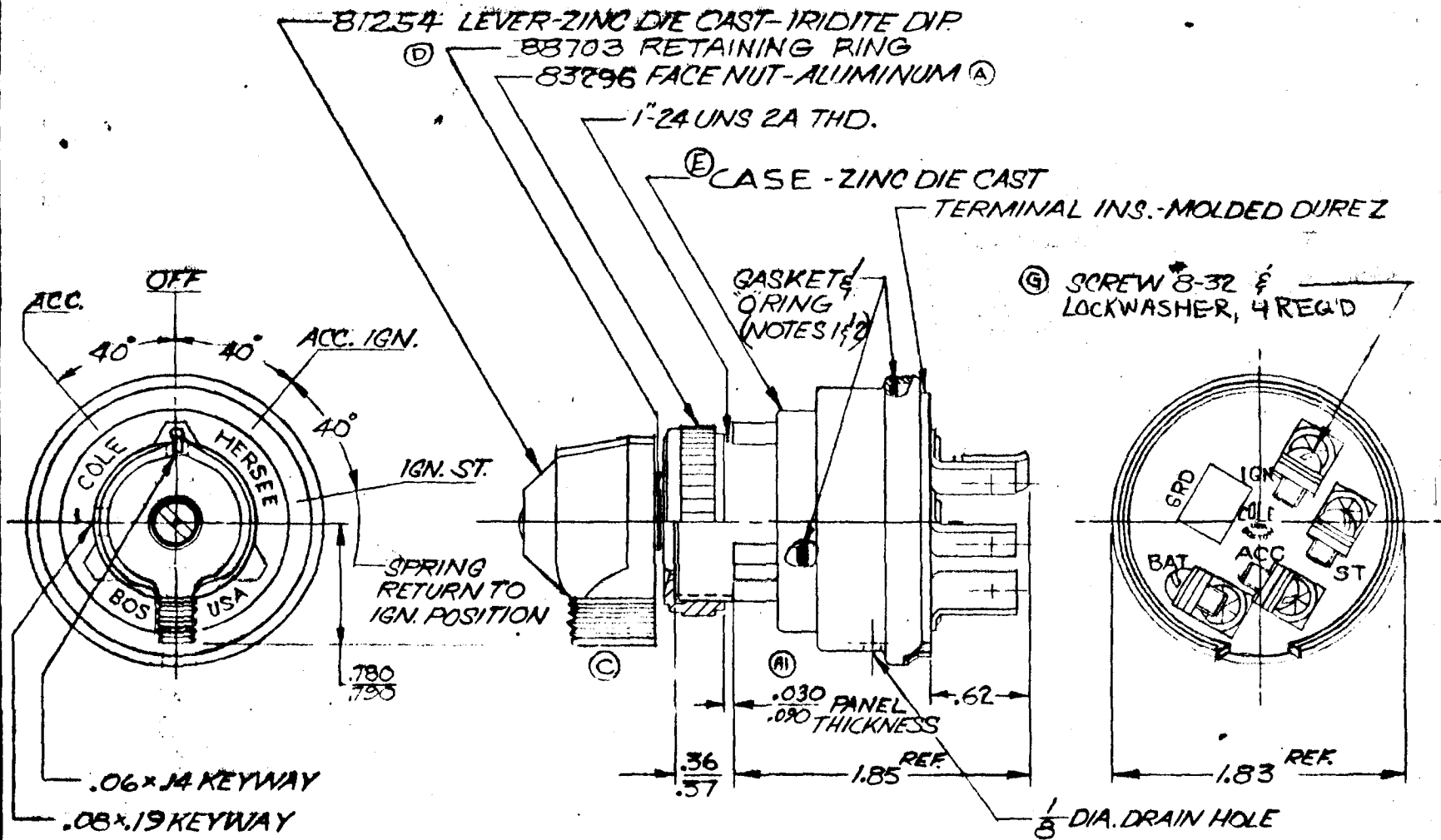
Confidential Property of Cole Hersee

APPLICABLE SAE STANDARD OR RECOMMENDED PRACTICE SAEJ259

956-4124

NPM. 4-10-72

EX NONE



RATINGS AT 12V D.C.	
ACC. CIRCUIT	10 AMPS
IGN.	10
ST.	5

- NOTES:
1. SHAFT O-RING SEALED TO HOUSING.
 2. TERMINAL INSULATOR GASKET SEALED.
 3. ALL STEEL PARTS PLATED

DO NOT SCALE

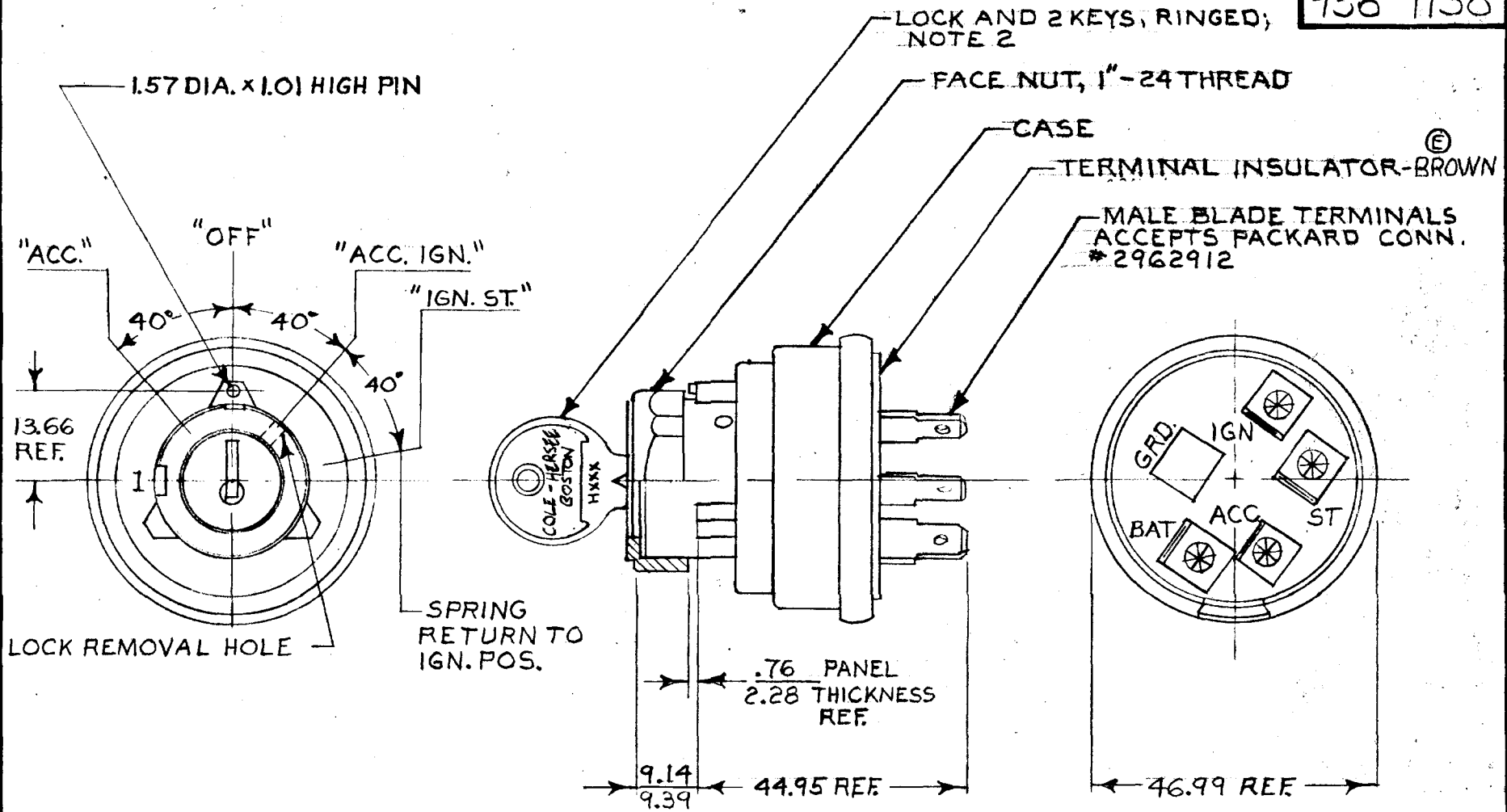
LET	WAS	DATE	BY	LET	WAS	DATE	BY	MATERIAL	DRAWN	CHECKED	APPR'D	SCALE	Blk. 956 4111	DATE DRAWN
				C	81254 LEVER / 19843	4-6-72	RMT	—	CT	REC		FULL		1-12-72
G	ECN #00138	3/1/00	KE	B	SAE SPEC ADDED	3-5-74	3W	FINISH	COLE-HERSEE COMPANY BOSTON, MASS. 02127, U.S.A.					DATE BLUEPRINT
F	NOT ADDED / 25234	12/22/92	JH	A1	.060 / .110	17877	LY	—						
E	HOUSING	8-6-86	P	A	83344	17877	B	TOLERANCES FRACTIONAL ±	4 POSITION IGN. & START SWITCH					956-4124
D	RING / 20329	10-18-78	R		ISSUE	(1-12-72)		DECIMAL ±0.010						

SPAULDING CO., INC.

MM 1N
 .76 .03
 2.28 .09
 9.14 .36
 9.39 .37
 13.66 .538
 25.65 1.01
 39.88 1.57
 44.95 1.77
 46.99 1.85

956-4138

NPM 8-30-77



- NOTES:
1. SWITCH DESIGNED TO PERMIT REMOVAL OF TUMBLER LOCK IN ACC. POSITION
 2. SWITCH SUPPLIED WITH STRATTEC[®] TUMBLER LOCK NO. 85144.
 3. ALL STEEL PARTS PLATED

METRIC

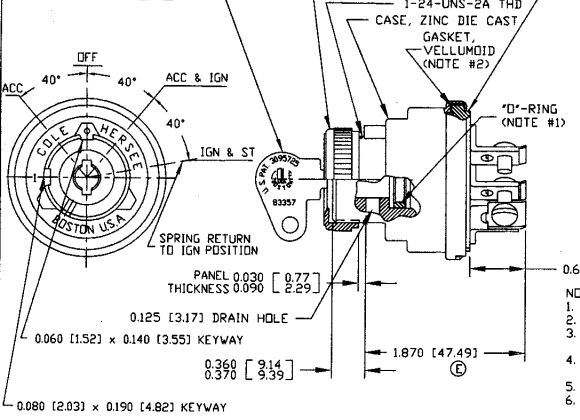
DO NOT SCALE

LET.	WAS	DATE	BY	LET.	WAS	DATE	BY	MATERIAL	DRAWN	CHECKED	APPR'D.	SCALE	DATE DRAWN
								✓	KG	<i>[Signature]</i>		1:1	2-5-76
			G		ECN# 27087	10/21/97	AJS	FINISH					DATE BLUEPRINT
			F		ECN # 26335	10/17/96	Jmp	✓					
			E		ECN 25189	8-14-92	TJH	TOLERANCES	SWITCH IGNITION & START 4 POS.				956-4138
			L		REDRAWN	8-15-89	VK	DECIMAL ±					
								METRIC ±					

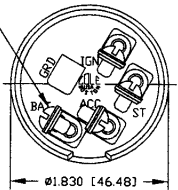
CH Cole Hersee Co.
 26 OLD COLONY AVENUE, SOUTH BOSTON, MA, U.S.A. 02177

CH-188(4-78)

RATING AT 12 V.D.C.	
ACC CIRCUIT	20 AMPS
IGN. CIRCUIT	20 AMPS
ST. CIRCUIT	20 AMPS



Revision Control Record			
Rev.	Description of Change	ECN No.	Date
E	FIXED DIMENSION	01438	7/26/01



- NOTES:
1. SHAFT O RING SEALED TO HOUSING
 2. TERMINAL INSULATOR GASKET SEALED
 3. SILVER LAMINATED CONTACT SURFACE AT TERMINALS
 4. SOLID SILVER RIVETS ON MOVING CONTACT
 5. ALL STEEL PARTS PLATED
 6. ALL DIMENSIONS REFERENCE ONLY UNLESS NOTED OTHERWISE

TOLERANCES: Unless otherwise specifically noted, the following are default tolerances:
 * 2-place Decimal Dimensiones: ".XX"
 * 3-place Decimal Dimensiones: ".XXX"
 * Angular Dimensiones: ".X Deg."
 * Metric: Refer to equivalent English Dimension Tolerance
 *** NOTE: All tolerances are *Non-Cumulative*. ***

Dimensional Units: All dimensiones are expressed in inches except those shown in brackets (mm) are expressed in millimetres

"NF" or "NF" or "NF": Non-Tolerance Reference Dimension, shown for distribution purposes only.

Used On or Ref: TERM INSUL & SILVER CONTACTS

Scale: **1:1**

PROPRIETARY INFORMATION: This Engineering Drawing, and the information contained herein, is proprietary to Cole Hersee Company and may not be disclosed, reproduced, or in any other way transmitted or communicated to any other party without the express written consent of an authorized representative of Cole Hersee Company.

DESIGN CONTROL: It is the responsibility of the individual salesperson/reviewer of this drawing to ensure that the stated design revision level agrees with the revision level of the Controlled Document (Master Drawing). This is a *NON-CUMULATIVE* DOCUMENT unless otherwise specifically noted.

DO NOT SCALE: Dimensional variation may occur during printing/reproduction.

Drawn: **VK** Date: **9/5/78**

Key for Special Characteristics:

- ⊕ Critical Characteristics, relating to Safety under Regulatory Compliance
- X Significant Characteristics relating to Process Control (SPC)
- ⊙ Control Dimension relating to Form - Fit - Function as defined by Cole Hersee Company and/or the Customer

Note that the identification of any characteristic as being "Special" does not alter the requirement that ALL specified dimensiones & tolerances must be met.

Responsible Engineer: **N/A** Pg. 1 of 1

Cole Hersee Co.
 20 Old Colony Ave., South Boston, MA, 02127
 Phone: 617-288-2100 Web: www.colehersee.com

Description: 4 POSITION IGNITION & START SWITCH

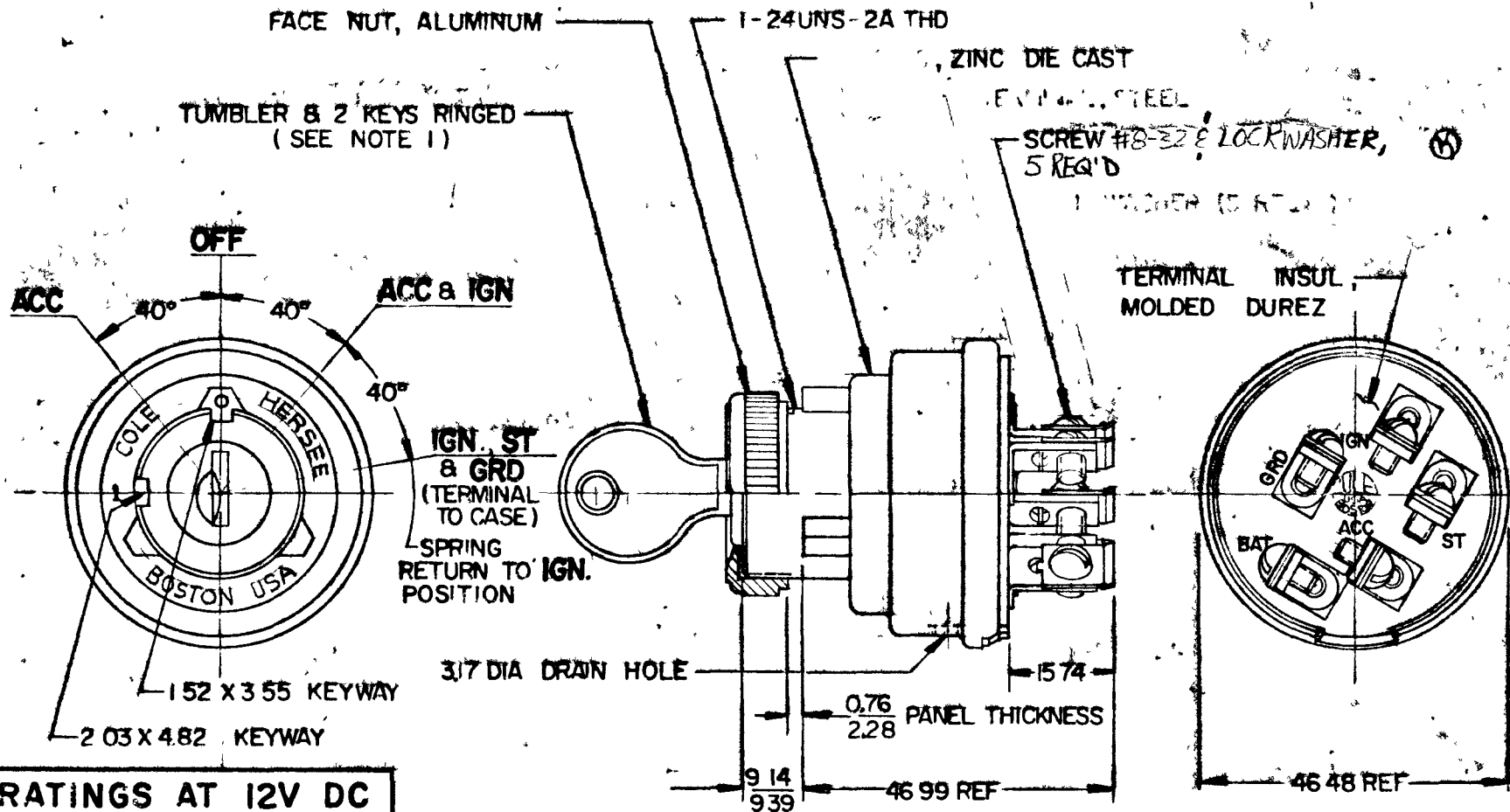
Drawing / Part No.: **956-4141**

Current Rev.: **E**

MM	N
0.25	.00
0.76	.030
1.52	.060
2.03	.080
2.28	.090
3.17	.125
3.55	.140
4.82	.190
9.14	.360
9.99	.370
15.74	.620
46.48	1.830
46.99	1.850

APPLICABLE SAE STANDARD OR RECOMMENDED PRACTICE SAE J259

956-4154



RATINGS AT 12V DC

ACC CIRCUIT	10 AMPS
IGN CIRCUIT	10 AMPS
ST CIRCUIT	5 AMPS
GRD CIRCUIT	1 AMP

METRIC

NOTES:

- 1 SHUTTER TYPE SEAL ON LOCK FACE
- 2 ALL STEEL PARTS PLATED WITH ...

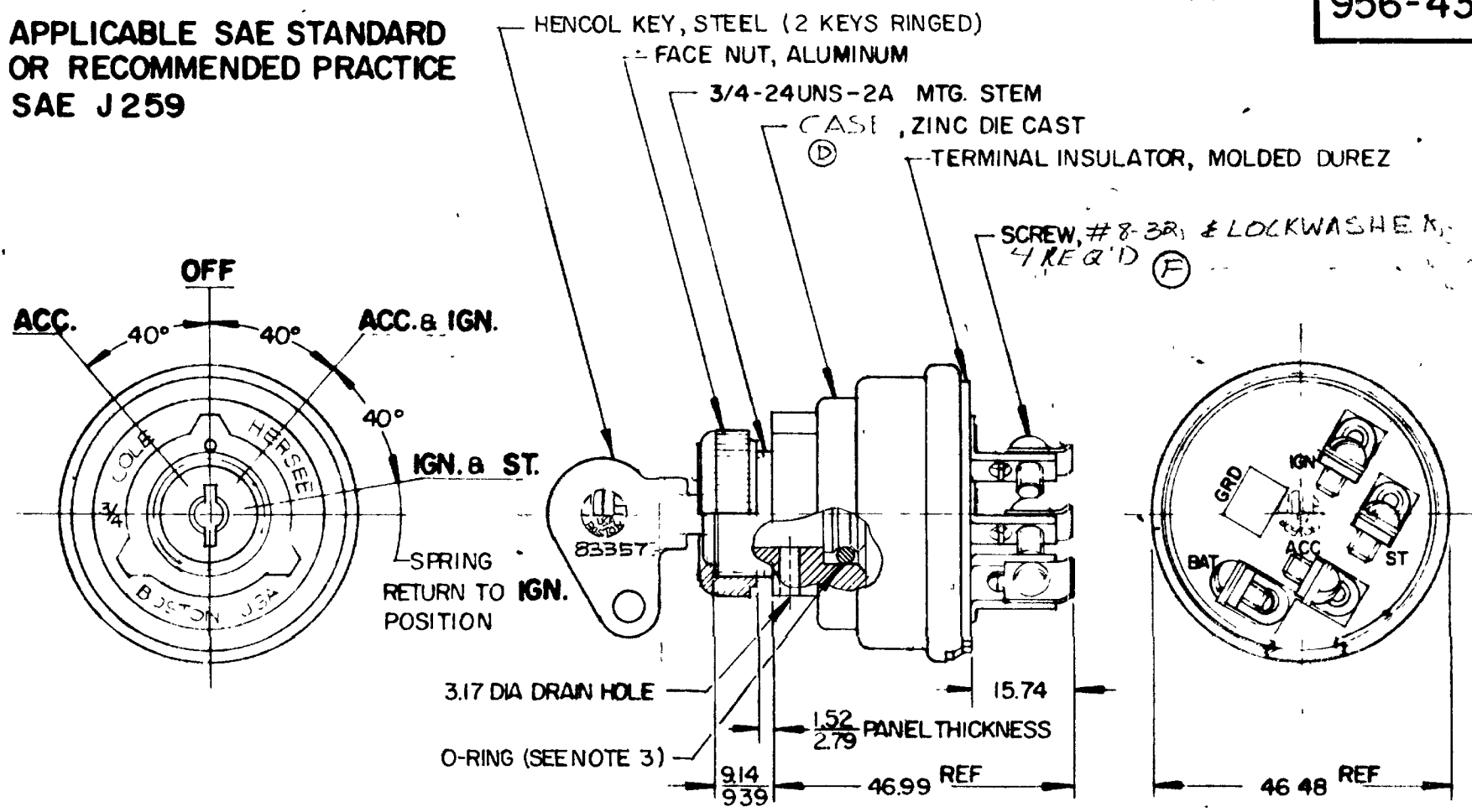
DO NOT SCALE

LET	WAS	DATE	BY	LET	WAS	DATE	BY	MATERIAL	DRAWN	CHECKED	APPR'D	SCALE	DATE DRAWN
								—H—	C F	4/13/78		FULL	2-23-67
								FINISH	COLE-HERSEE COMPANY				DATE BLUEPRINT
				K	ECN #100142	3/1/00	KF		BOSTON, MASS 02127, U.S.A				
				J	CAO UN / 25234	12/22/92	JH	TOLERANCES	4-POSITION				956-4154
				H	REDRAWN	3-9-78	JV	FRACTIONAL ± DECIMAL ±0.25	IGNITION & START SWITCH				

MM	IN
0.25	.010
1.27	.050
2.79	.110
3.17	.125
9.14	.360
9.39	.370
15.74	.620
46.48	1.830
46.99	1.850

956-4307

APPLICABLE SAE STANDARD
OR RECOMMENDED PRACTICE
SAE J259



RATINGS AT 12 V.D.C.	
ACC. CIRCUIT	10 AMPS
IGN. "	10 "
ST. "	5 "

METRIC

NOTES:

- 1 TERMINAL INSUL GASKET SEALED
- 2 ALL STEEL PARTS PLATED
- 3 SHAFT O-RING SEALED TO HOUSING.

DO NOT SCALE

LET	WAS	DATE	BY	LET	WAS	DATE	BY	MATERIAL	DRAWN	APPRVD	SCALE	DATE DRAWN
								#	CF	6-1-79	11	12-12-66
				F	ECN 00137	3/1/00	HA	FINISH				DATE BLUEPRINT
				I	CAD OR ZINC/25234	12/18/92	111	#				
				D	HOUSING	8-16-82	PB	TOLERANCES				
				C	REDRAWN	5-21-79	JV	DECIMAL ± .010				
								METRIC ± .25				

CH Cole Hersee Co.
7700 AVENUE SIX - BOSTON, MASS. U.S.A. 02130

4-POSITION
IGNITION & START SWITCH

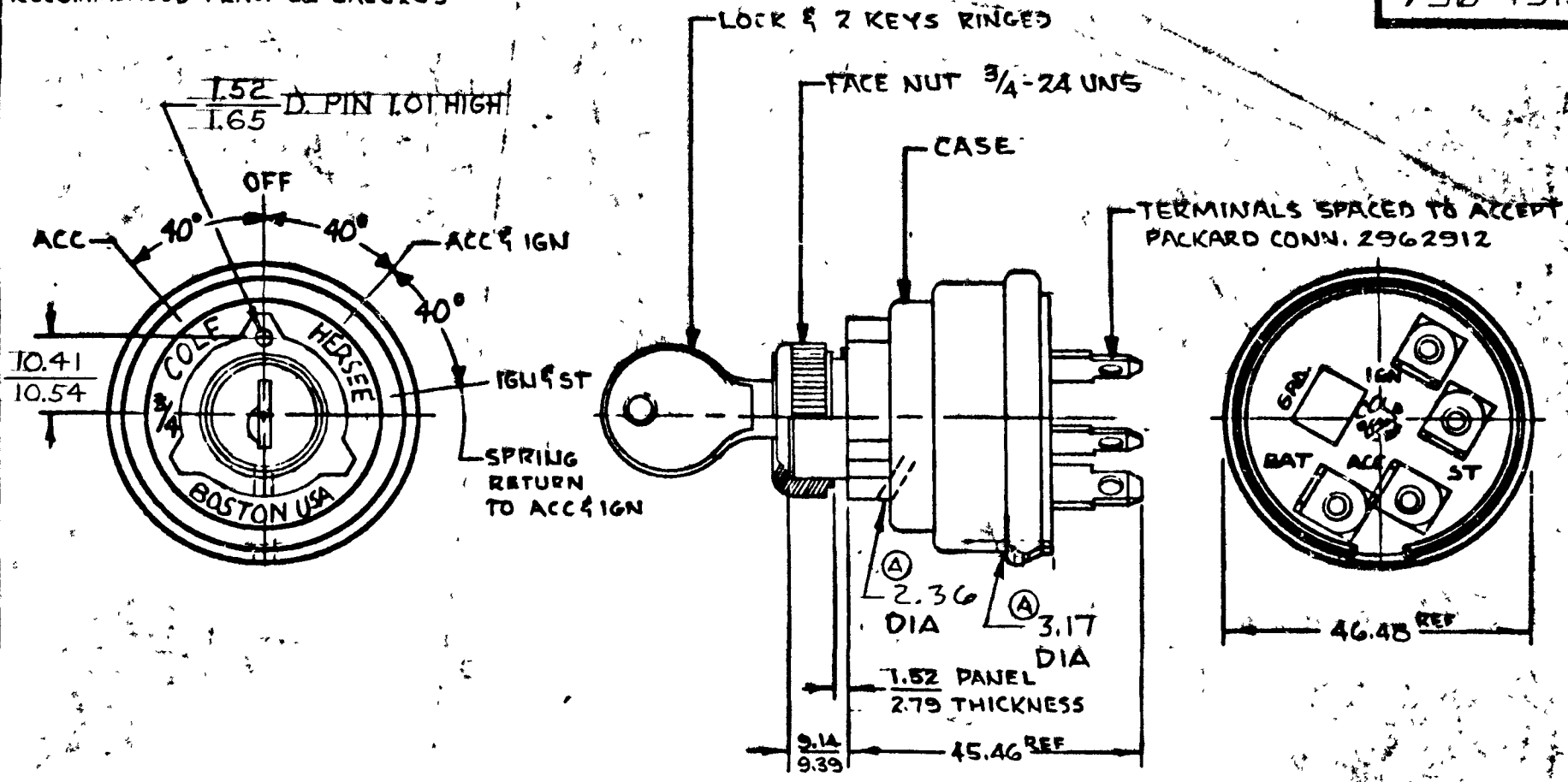
956-4307

CH 188(4 78)

MM	IN
1.01	.040
1.52	.060
1.65	.065
2.79	.110
3.14	.125
3.39	.133
3.70	.146
4.10	.161
4.15	.163
1.750	.069
1.830	.072
.093	
.125	

956-4311

APPLICABLE SAE STANDARD OR
RECOMMENDED PRACTICE SAE J269



EX 20121

ST	5 AMPS
IGN	10 AMPS
ACC	10 AMPS

- NOTES:
1. SHUTTER SEAL ON LOCK FACE
 2. LOCK O RING SEALED TO CASE
 3. TERM. INSULATOR GASKET SEALED
 - ④ 4. DRAIN HOLES ARE IN LINE 90° FROM & SHOWN'

RATING @ 12V DC

METRIC

DO NOT SCALE

LET	WAS	DATE	BY	LET	WAS	DATE	BY	MATERIAL	DRAWN	CHECKED	APPROVD.	SCALE	DATE DRAWN
								#	RJF	RFB		1"=1"	6-17-83
								FINISH					DATE BLUEPRINT
				A	ADD'D DIM'S ECN 72701	7-2-83	WPS	TOLERANCES					
					ISSUED	9/2/83	LB	DECIMAL ±.010 METRIC ±2.54					
													956-4311

CH. Cole Hersee Co.
BOSTON MASS. U.S.A.

4 POSITION
IGNITION & START SWITCH

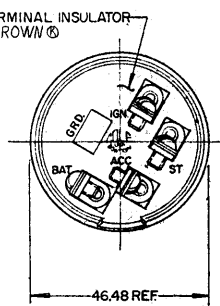
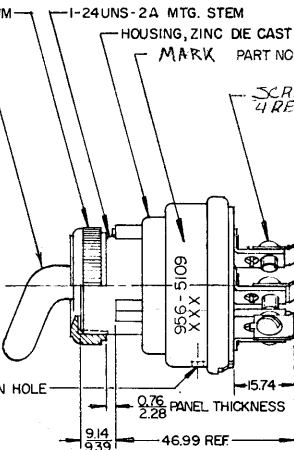
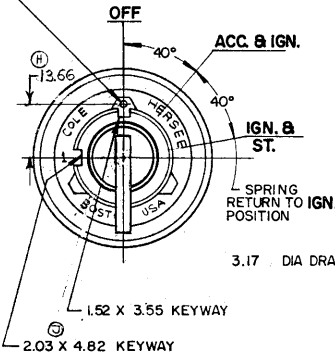
APPLICABLE SAE STANDARD OR RECOMMENDED PRACTICE SAE J259

956-5109

FACE NUT, ALUMINUM
 LEVER, ZINC DIE CAST, CHROME PLT.
 HOUSING, ZINC DIE CAST
 MARK PART NO. & DATE CODE AT RANDOM (N)

① 1.57 DIA. x 1.01 HIGH PIN

SCREW, # 8-32, & LOCKWASHER
 4 REQ'D (M)



- NOTE:
 1. TERMINAL INSULATOR GASKET SEALED
 2. SHOULDER TYPE RIVET CONSTRUCTION
 3. SILVER LAMINATED CONTACT SURFACES
 ④ 4. ALL STEEL PARTS PLATED

METRIC

Confidential Property of Cole Hersee

DO NOT SCALE

LET	WAS	DATE	BY	LET	WAS	DATE	BY	MATERIAL	DRAWN	CHECKED	APPROVED	SCALE	DATE DRAWN
				L	CAD CR ZINC 25034	12/29/70	BJ	—	RW			1:1	9-16-71
				K	ECN 25189	8/13/72	SH	FINISH					
				J	DELTE NOTE 23263	9-30-86	ZU	—					DATE BLUEPRINT
N	ECN 200422	6/6/00	MK	H	REVISED 22457	6/6/04	JK	TOLERANCES					
M	ECN 00137	3/1/00	WH	G	REDRAWN	1-19-78	RE	FRACTIONAL ±					
								DECIMAL ± .25					



3 - POSITION
 IGNITION & START SWITCH

956-5109

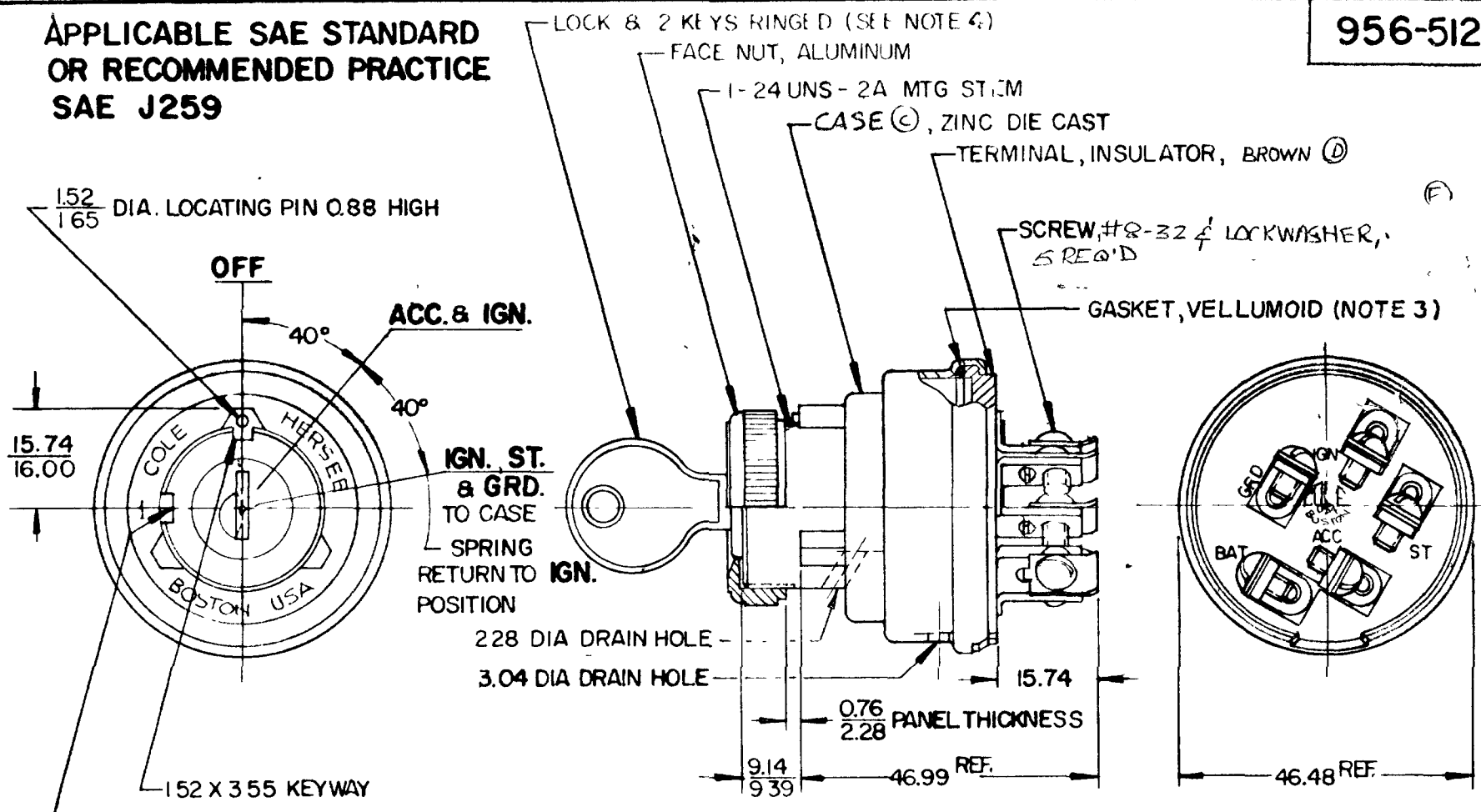
MM
 0.25
 0.75
 1.01
 1.52
 2.03
 2.28
 3.17
 3.55
 4.82
 9.14
 9.39
 46.48
 46.99
 13.66

① P.M. 9-28-71
 -X-16003C

MIM	IN
0.25	0.01
0.28	0.011
0.38	0.015
0.50	0.020
0.65	0.025
0.85	0.033
1.05	0.041
1.28	0.050
1.58	0.062
1.95	0.077
2.38	0.094
2.88	0.113
3.45	0.136
4.08	0.161
4.82	0.190
5.65	0.223
6.58	0.260
7.60	0.300
8.75	0.347
10.00	0.394
11.35	0.447
12.80	0.500
14.35	0.562
16.00	0.630
17.75	0.703
19.60	0.776
21.55	0.850
23.60	0.925
25.75	1.000
28.00	1.094
30.35	1.187
32.80	1.280
35.35	1.373
38.00	1.476
40.75	1.579
43.60	1.691
46.55	1.803
49.60	1.915

956-5122

**APPLICABLE SAE STANDARD
OR RECOMMENDED PRACTICE
SAE J259**



NOTES:

- ①. ALL STEEL PARTS PLATED
- 2. O RING SEAL AT MTG. STEM.
- 3. TERMINAL INSULATOR GASKET SEALED.
- 4. SHUTTER TYPE SEAL ON LOCK FACE.
- 5. COPPER CONTACT SURFACES.

METRIC

DO NOT SCALE

LET	WAS	DATE	BY	LET	WAS	DATE	BY	MATERIAL	DRAWN	CHECKED	APPRVD	SCALE	BASC 956-5108 EXCEPT, COPPER CON ORING DRAIN, GRD. CRKT	DATE DRAWN 1 - 7 - 75
				F	ICN# 00142	3-11-00	KF		JWH	1-30-79		1:1		DATE BLUEPRINT
				E	CRIP ZINC	12-28-90	JH	FINISH	<p>Cole Hersee Co. 7 OLD COLONY AVENUE SOUTH BOSTON, MA 02107</p>					
				D	ECN 25184	8-13-92	JH							
				C	HOUSING	8-17-82	JH							
				B	REDRAWN	1-19-79	VK	TOLERANCES FRACTIONAL ± DECIMAL ± .25	<p>3 - POSITION IGNITION & START SWITCH</p>					956-5122

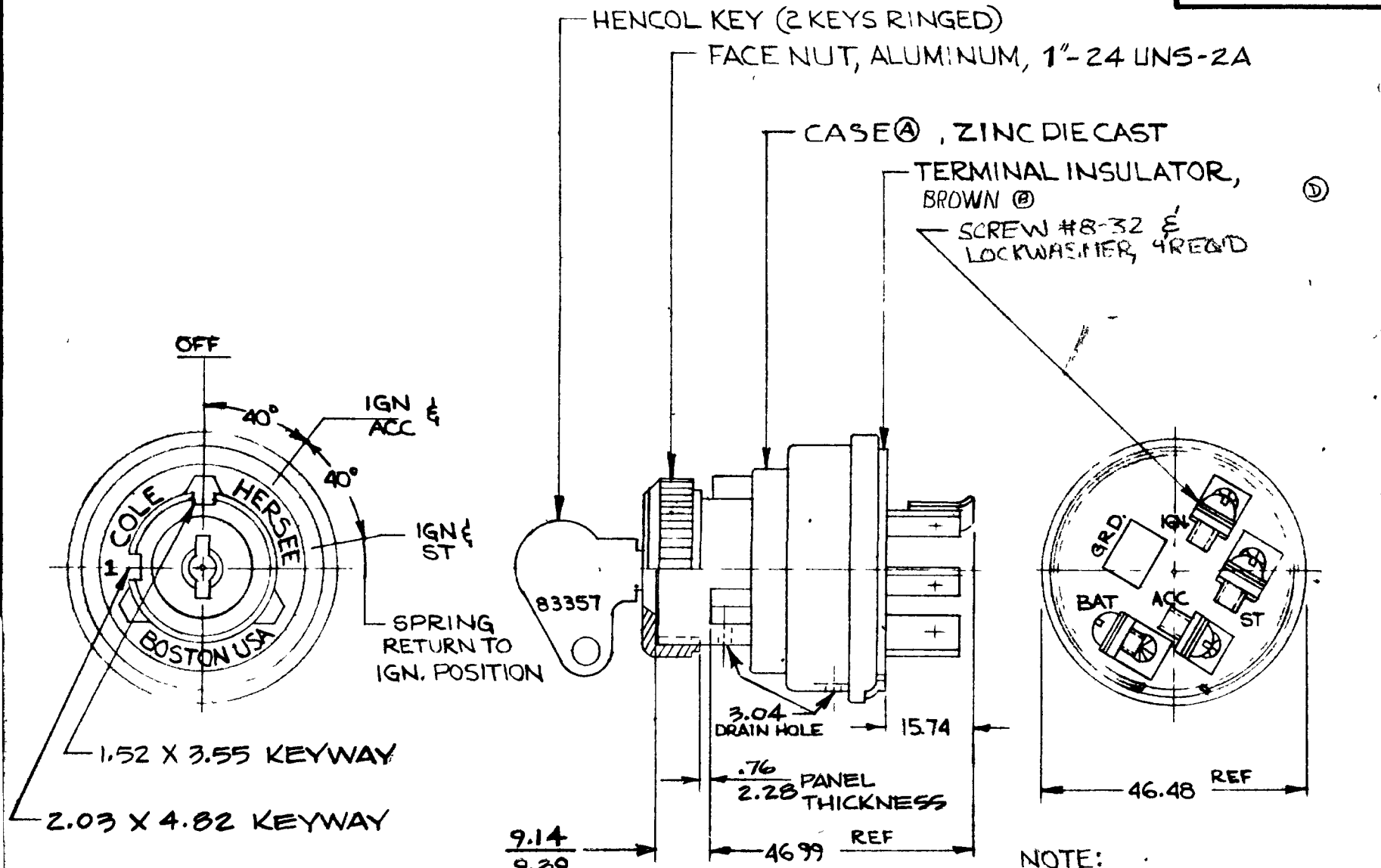
CH 189 (478)

MM	IN.
.25	.010
.70	.030
1.15	.060
2.03	.080
2.28	.090
3.04	.120
3.55	.140
4.82	.190
9.14	.360
9.39	.370
15.74	.620
46.48	1.830
46.99	1.850

APPLICABLE SAE STANDARD OR RECOMMENDED PRACTICE SAE J259

956-5124

COLE-HERSEE CO.
N.P.M.



METRIC

NOTE:
1. O RING SEALED.

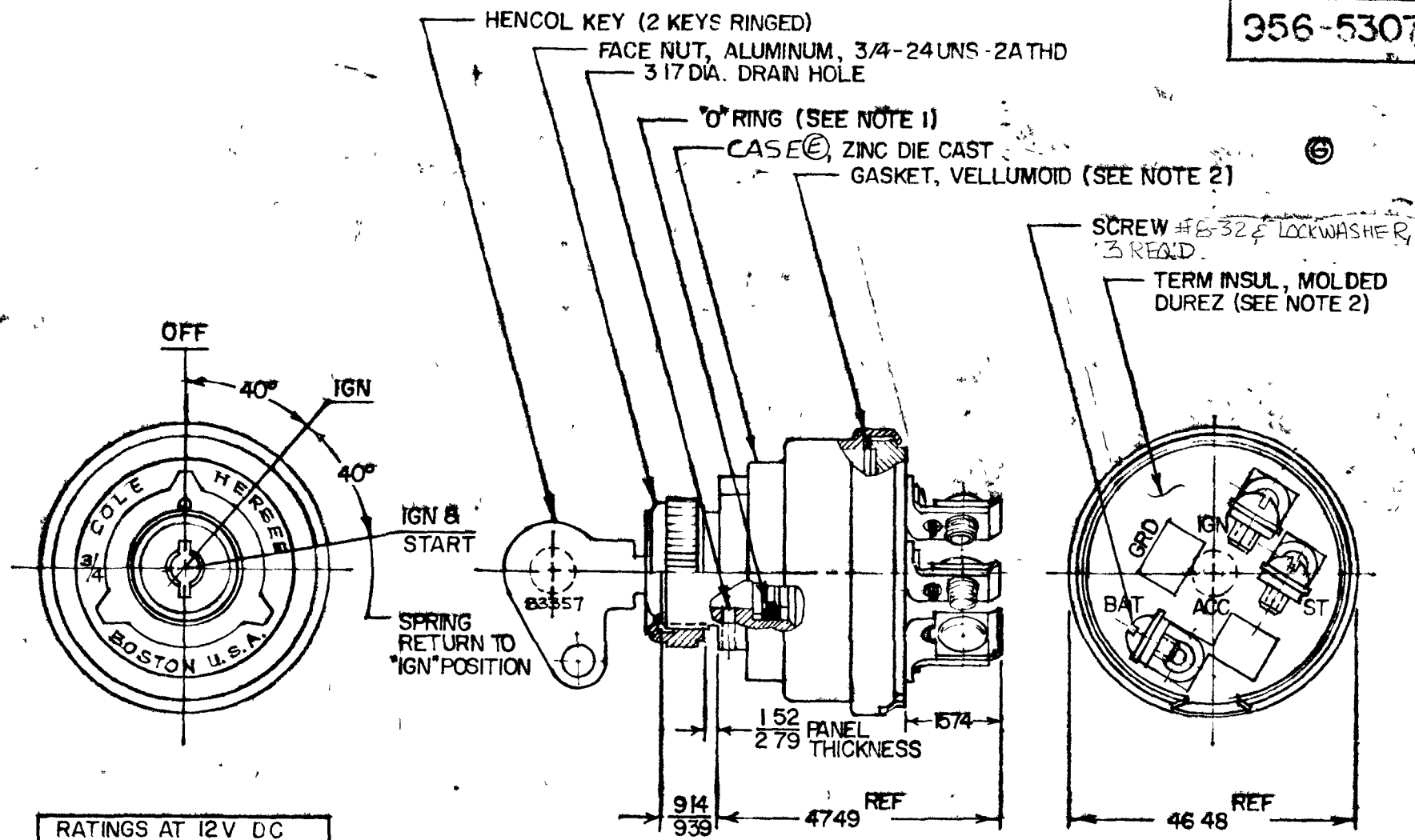
© 2. ALL STEEL PARTS PLATED DO NOT SCALE

LET	WAS	DATE	BY	LET	WAS	DATE	BY	MATERIAL	DRAWN	CHECKED	APPRV D	SCALE	BASIC 956-5115 EXCEPT O RING SEALED	DATE DRAWN
				D	ECN#00138	3/11/75	KF	—	KG	11-5-75		FULL		11-4-75
				C	HOLE ADDED / 050239	12/23/80	LH	FINISH						
				B	ECN 25189	8-19-92	JH	—						
				A	HOUSING	8-17-82	PS	TOLERANCES						
					ISSUED	3-3-77	PS	FRACTIONAL ±						
								DECIMAL ±.25						
COLE-HERSEE COMPANY BOSTON, MASS. 02127, U.S.A.													DATE BLUEPRINT	
IGN. START SWITCH													956-5124	

MM	IN
1.52	.010
2.79	.110
3.18	.125
3.30	.130
3.38	.135
3.48	.140
3.57	.145
3.65	.150
3.75	.155
3.83	.160
3.91	.165
4.00	.170
4.08	.175
4.17	.180

TSE 1034

956-5307



RATINGS AT 12V DC	
IGN CIRCUIT	10 AMPS
START	5

- NOTE
1. SHAFT O-RING SEALED TO CASE
 2. TERM INSUL GASKET SEALED
 3. ALL STEEL PARTS PLATED 11T W/DIC-IRON, FL DIP OR CAL 17
 4. APPLICABLE SAE STANDARD OR RECOMMENDED PRACTICE SAE J259

METRIC

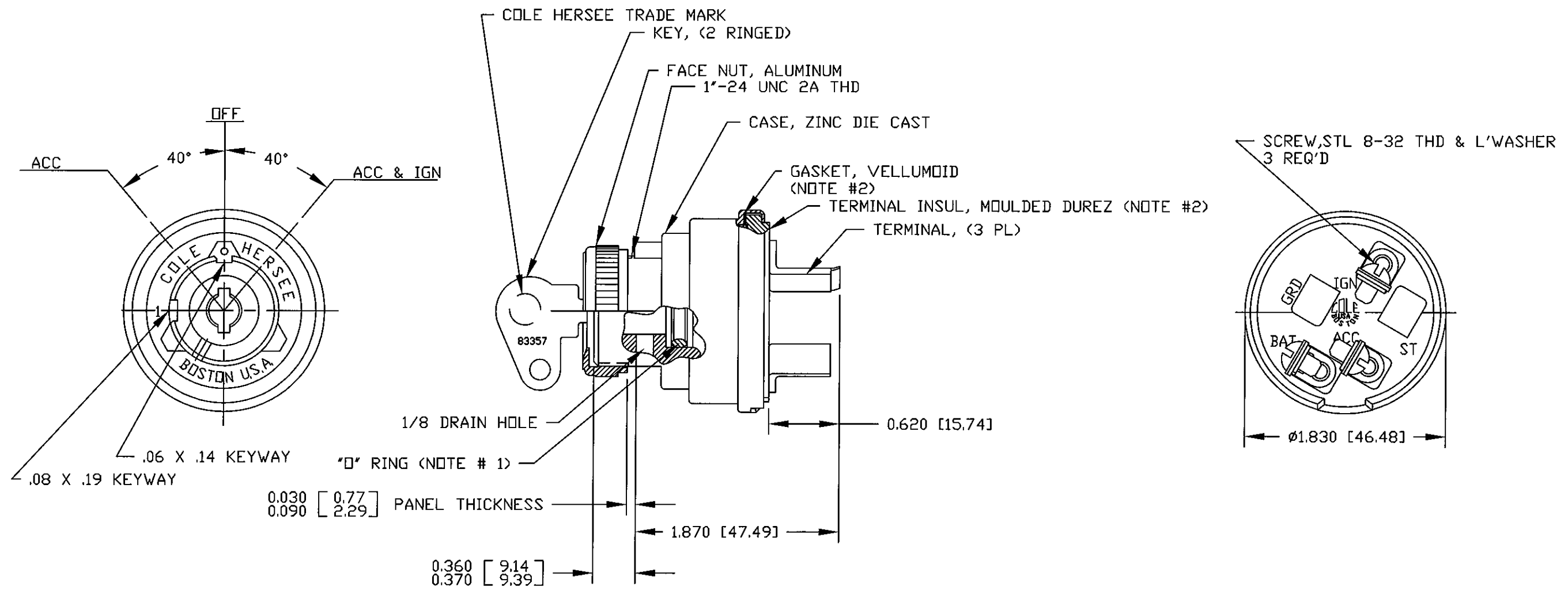
DO NOT SCALE

LET	WAS	DATE	BY	LET	WAS	DATE	BY	MATERIAL	DRAWN	CHECKED	APPRV D	SCALE	DATE DRAWN
									CF	11-20-78		1:1	1-10-66
				G	LCN # 60139	3/1/00	KF	FINISH					DATE BLUEPRINT
				F	CADU 725239	12/18/92	1,4						
				E	HOUSING	8-17-82	1,3	TOLERANCES					
				D	REDRAWN	11-8-78	R	FRACTIONAL ±					
								DECIMAL ± .25					
Cole Hersee Co. WORLD COLONY AVENUE SOUTH BOSTON MA U.S.A. 02127													
3 POS IGNITION & START SW												956-5307	

CH-188 (4-78)

Revision Control Record

Rev.	Description of Change	ECN No.	Date
J	PUT ON CAD	08552	10/09/08



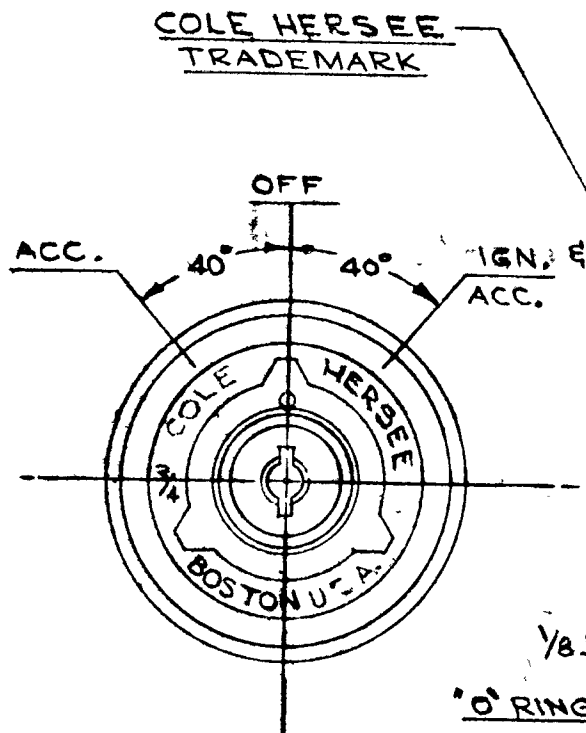
- NOTE:**
1. SHAFT "O" RING SEALED TO CASE
 2. TERMINAL INSULATOR GASKET SEALED
 3. ALL STEEL PARTS PLATED
 4. ALL DIMENSION REFERENCE
 5. APPLICABLE SAE STANDARD OR RECOMMENDED PRACTICE SAE J259

RATINGS @ 12V DC	
ACC. CIRCUIT	10 AMPS
IGN.	10 AMPS

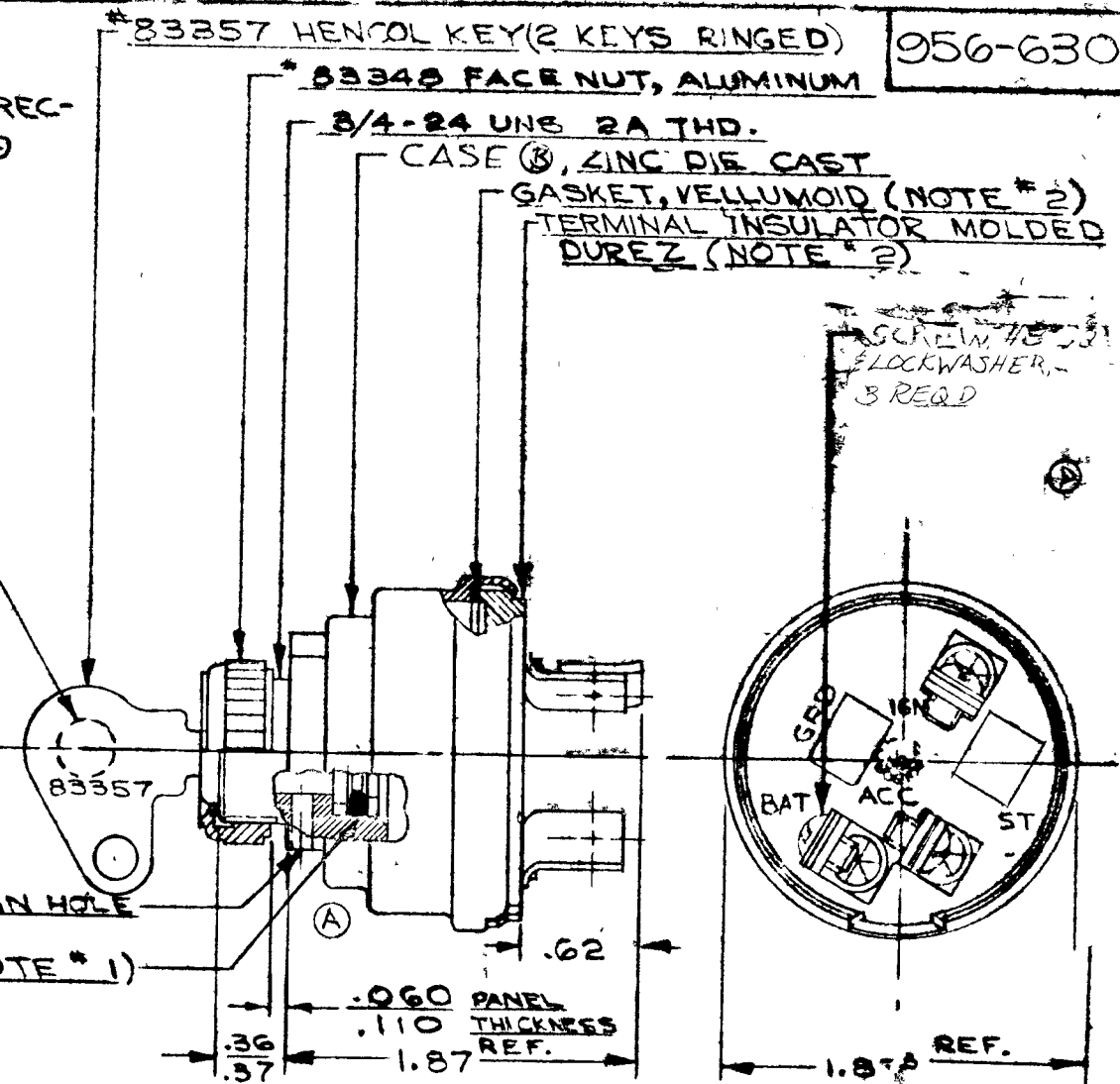
<p>Tolerances Unless otherwise specifically noted, the following are default tolerances;</p> <ul style="list-style-type: none"> • 2-place Decimal Dimensions +/- .02" • 3-place Decimal Dimensions +/- .005" • Angular Dimensions +/- 1.0 Deg. • Metric: Refer to equivalent English Dimension Tolerance <p>>>> NOTE: All tolerances are Non-Cumulative. <<<</p> <p>Dimensional Units All dimensions are expressed in inches except those shown in brackets (xxx) are expressed in millimeters</p> <p>"REF." or an Asterisk (*) = Non-Toleranced Reference Dimension, shown for clarification purposes only.</p>	<p>PROPRIETARY INFORMATION This Engineering Drawing, and the information contained herein, is proprietary to Cole Hersee Company and may not be disclosed, re-produced, or in any other way transferred or communicated to any other party without the express written consent of an authorized representative of Cole Hersee Company.</p> <p>DESIGN CONTROL It is the responsibility of the individual using / referencing this drawing to assure that the noted design revision level agrees with the revision level of the Controlled Document (Master Drawing). This is a NON-CONTROLLED DOCUMENT unless otherwise specifically noted.</p> <p>DO NOT SCALE - Dimensional variation may occur during printing / reproduction.</p>	<p>Special Characteristics:</p> <ul style="list-style-type: none"> CC Critical Characteristic, relating to Safety and/or Regulatory Compliance X Significant Characteristic relating to Process Control (SPC) KC Control Dimension relating to Form - Fit - Function as defined by Cole Hersee Company and/or the Customer <p>(Note that the identification of any Characteristics as being "Special" does not alter the requirement that ALL specified dimensions & tolerances must be met.)</p>	<p>Cole Hersee Co. 20 Old Colony Ave., South Boston, MA, 02127 Phn: 617-268-2100 Web: www.colehersee.com</p> <p>Description: ACC-IGNITION SW</p>
<p>Used On or Ref.:</p>	<p>Scale: 1:1</p>	<p>Drawn By: CF</p>	<p>Date Drawn: 10/06/66</p>
<p>Responsible Engineer:</p>		<p>Pg. 1 of 1</p>	
<p>Drawing / Part No.: 956-6107</p>			<p>J</p>

COLE-HERSEE CO.

APPLICABLE SAE STANDARD OR RECOMMENDED PRACTICE SAE J259



RATINGS AT 12 V D.C.	
ACC. CIRCUIT	10 AMPS
IGN.	10



- NOTE:
1. SHAFT "O" RING SEALED TO CASE
 2. TERMINAL INSULATOR GASKET SEALED
- © 3 ALL STEEL PARTS PLATED

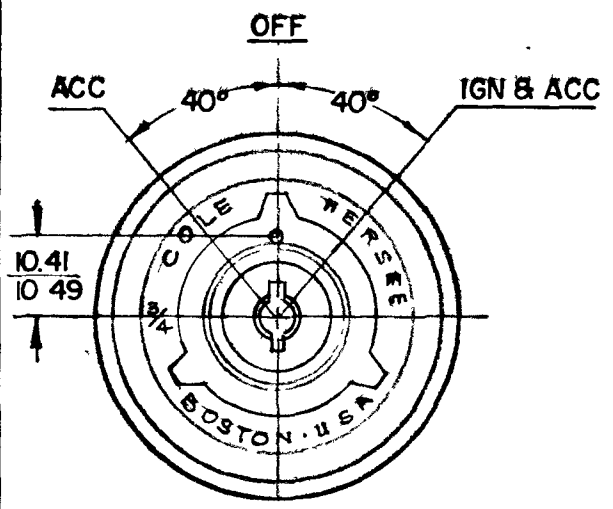
REV	WAS	DATE	BY	REV	WAS	DATE	BY	MATERIAL	DRAWN	CHECKED	APPROV'D	SCALE	USED ON	DATE DRAWD
				F	FCM COPY	3/2/88	MA		CF	UM		FULL		1-31-67
				C	NOTE 3 ADDED	12/18/92	JH							
				B	HOUSING	8-17-82	RS							
				A	STL SPEC ADDED	3-4-74	W							
					ISSUED	3-9-67	HF							
COLE-HERSEE COMPANY BOSTON 27, MASS., U.S.A.														DATE DOWND
ACC-IGNITION SWITCH														PART NO 956-6307

COLE-HERSEE CO.
 NPM 6-6-79
 EX-18452

MM	IN
.25	.010
1.52	.060
2.79	.110
9.14	.360
9.39	.370
15.74	.620
46.48	1.830
47.49	1.870
3.17	.125
1.01	.040
1.65	.065
10.41	.410
16.49	.413

SEQ	DEPT.	OPERATING INSTRUCTIONS	DIE	MACH

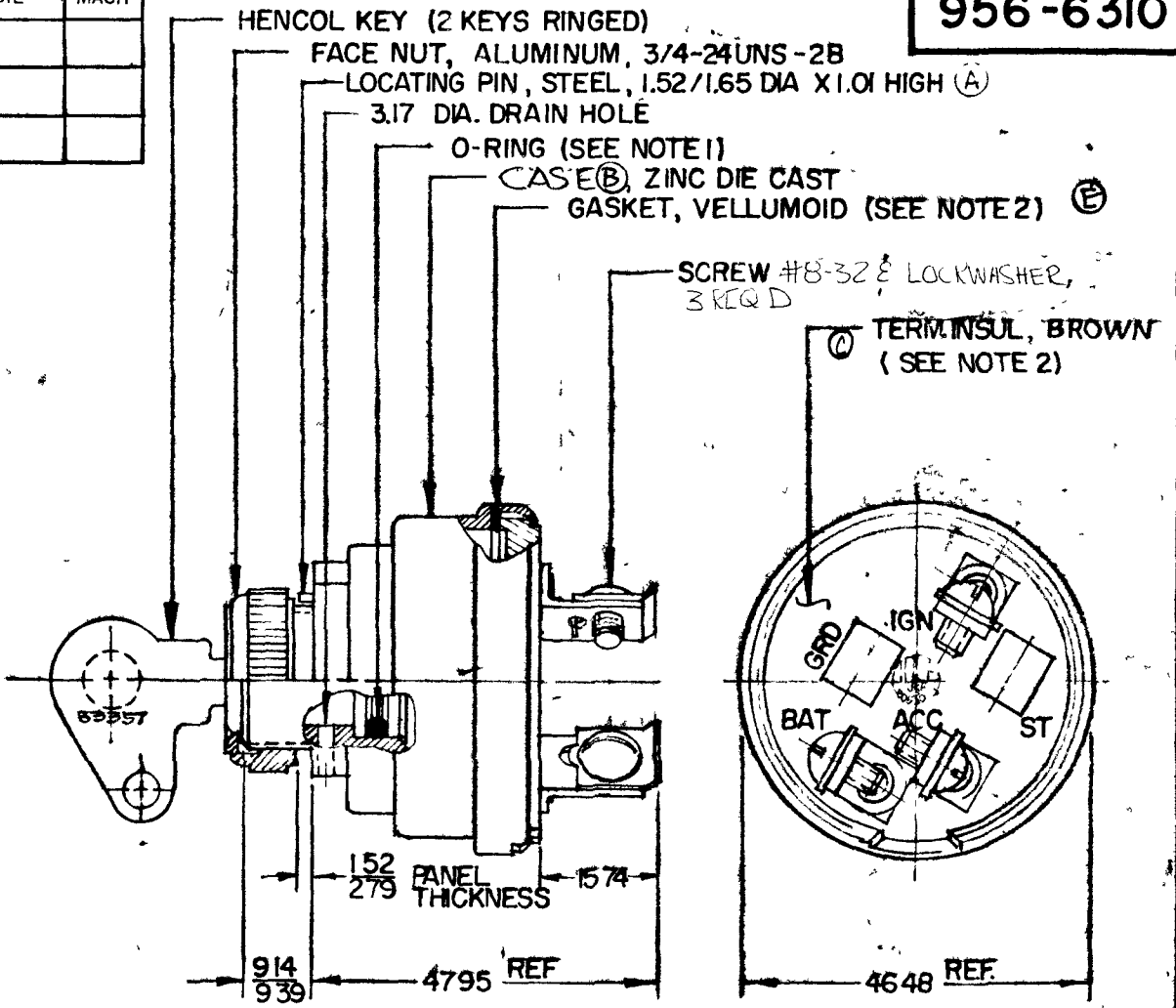
956-6310



RATINGS AT 12V DC	
ACC. CIRCUIT	30 AMPS
IGN.	10

APPLICABLE SAE STANDARDS OR RECOMMENDED PRACTICE SAE J259

METRIC

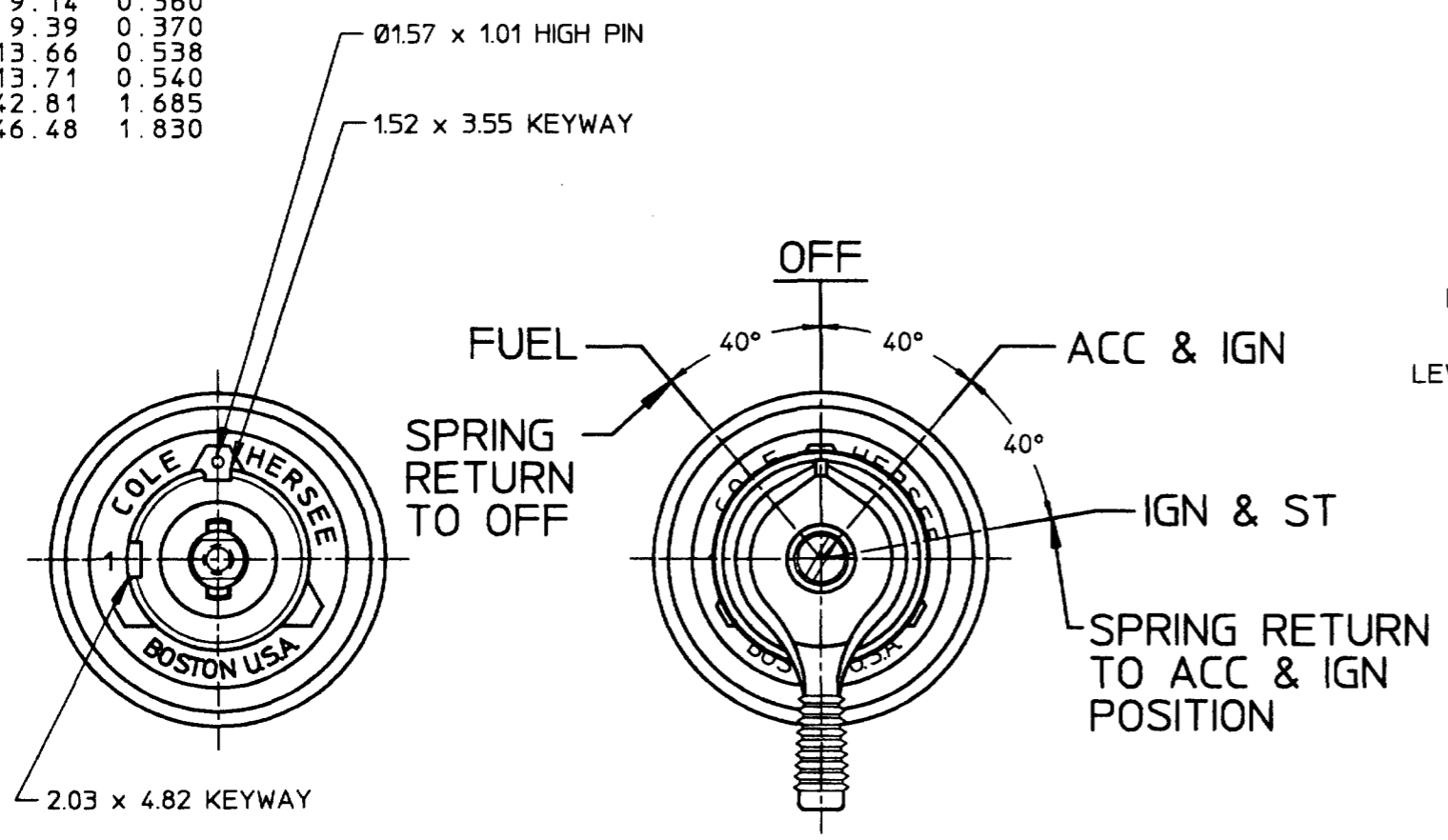


- NOTE:**
1. SHAFT O-RING SEALED TO CASE
 2. TERM INSUL GASKET SEALED
 3. COPPER RIVETS ON MOVABLE CONTACT
 4. ALL STEEL PARTS PLATED

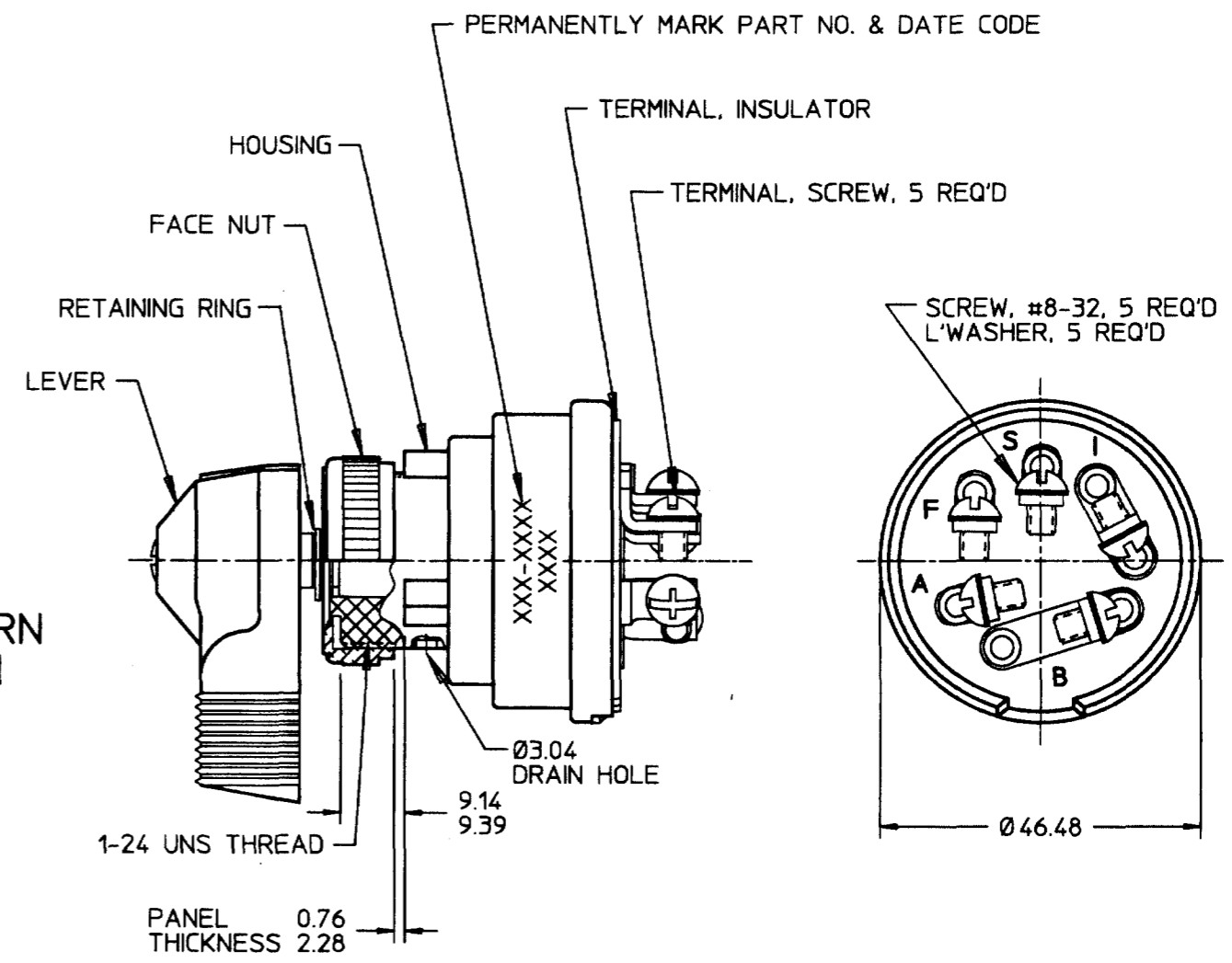
LET	WAS	DATE	BY	LET	WAS	DATE	BY	MATERIAL	DRAWN	CHECKED	APPRVD	SCALE	956-6310 W/ PIN, FIBER TE INSUL & COPPER RIVETS ON CONTACT	DO NOT SCALE
				D	ZINC 126234	12/18/92	TJH	—	RMT	5-23-79		1:1		DATE DRAWN 3-12-79
				C	ECN 25189	8-14-92	TJH	FINISH	COLE-HERSEE COMPANY BOSTON, MASS 02127, U.S.A.					DATE BLUEPRINT
				B	HOUSING	8/1/82	PB	—						
				A	REV 20702	9-12-79	JV	TOLERANCES FRACTIONAL ± DECIMAL ±.25	ACC-IGNITION SWITCH					956-6310
E	ECN #00139	3/1/00	MF		ISSUED	6-1-19	Y							

SPAULDING CO., INC

MM	IN
0.76	0.030
1.01	0.040
1.52	0.059
1.57	0.061
2.03	0.080
2.28	0.090
3.04	0.120
3.55	0.140
4.82	0.190
9.14	0.360
9.39	0.370
13.66	0.538
13.71	0.540
42.81	1.685
46.48	1.830



FRONT VIEW SHOWN W/O LEVER AND FACE NUT



- NOTES:
1. ALL STEEL PARTS PLATED
 2. ALL DIMENSIONS ARE REFERENCE ONLY UNLESS OTHERWISE SPECIFIED
 3. SHAFT O-RING SEALED TO CASE
 4. TERMINAL INSULATOR GASKET SEALED
 5. APPLICABLE SAE STANDARD OR RECOMMENDED PRACTICE SAE J259

DO NOT SCALE

RATING AT 12 VDC		LEGEND	
ACCESSORY	10 AMP	BATTERY	B
IGNITION	10 AMP	ACCESSORY	A
START	5 AMP	IGNITION	I
FUEL	10 AMP	START	S
		FUEL	F

METRIC

LET.	WAS	DATE	BY	LET.	WAS	DATE	BY	MATERIAL	DRAWN	CHK	APVD	SCALE	DATE DRAWN
								N/A	JMP	4	N/A	1:1	11/24/97
								FINISH	Cole Hersee Co. 20 OLD COLONY AVENUE, BOSTON, MA., U.S.A., 02127				DATE BLUEPRINTED
								N/A					SW, IGN & START, 4 POS
				A	ECN 00521	06/28/00	DPS	TOLERANCES DECIMAL ± N/A ANGLE ± N/A					

Компания «Океан Электроники» предлагает заключение долгосрочных отношений при поставках импортных электронных компонентов на взаимовыгодных условиях!

Наши преимущества:

- Поставка оригинальных импортных электронных компонентов напрямую с производств Америки, Европы и Азии, а так же с крупнейших складов мира;
- Широкая линейка поставок активных и пассивных импортных электронных компонентов (более 30 млн. наименований);
- Поставка сложных, дефицитных, либо снятых с производства позиций;
- Оперативные сроки поставки под заказ (от 5 рабочих дней);
- Экспресс доставка в любую точку России;
- Помощь Конструкторского Отдела и консультации квалифицированных инженеров;
- Техническая поддержка проекта, помощь в подборе аналогов, поставка прототипов;
- Поставка электронных компонентов под контролем ВП;
- Система менеджмента качества сертифицирована по Международному стандарту ISO 9001;
- При необходимости вся продукция военного и аэрокосмического назначения проходит испытания и сертификацию в лаборатории (по согласованию с заказчиком);
- Поставка специализированных компонентов военного и аэрокосмического уровня качества (Xilinx, Altera, Analog Devices, Intersil, Interpoint, Microsemi, Actel, Aeroflex, Peregrine, VPT, Syfer, Eurofarad, Texas Instruments, MS Kennedy, Miteq, Cobham, E2V, MA-COM, Hittite, Mini-Circuits, General Dynamics и др.);

Компания «Океан Электроники» является официальным дистрибьютором и эксклюзивным представителем в России одного из крупнейших производителей разъемов военного и аэрокосмического назначения «JONHON», а так же официальным дистрибьютором и эксклюзивным представителем в России производителя высокотехнологичных и надежных решений для передачи СВЧ сигналов «FORSTAR».



JONHON

«JONHON» (основан в 1970 г.)

Разъемы специального, военного и аэрокосмического назначения:

(Применяются в военной, авиационной, аэрокосмической, морской, железнодорожной, горно- и нефтедобывающей отраслях промышленности)

«FORSTAR» (основан в 1998 г.)

ВЧ соединители, коаксиальные кабели, кабельные сборки и микроволновые компоненты:

(Применяются в телекоммуникациях гражданского и специального назначения, в средствах связи, РЛС, а так же военной, авиационной и аэрокосмической отраслях промышленности).



Телефон: 8 (812) 309-75-97 (многоканальный)

Факс: 8 (812) 320-03-32

Электронная почта: ocean@oceanchips.ru

Web: <http://oceanchips.ru/>

Адрес: 198099, г. Санкт-Петербург, ул. Калинина, д. 2, корп. 4, лит. А