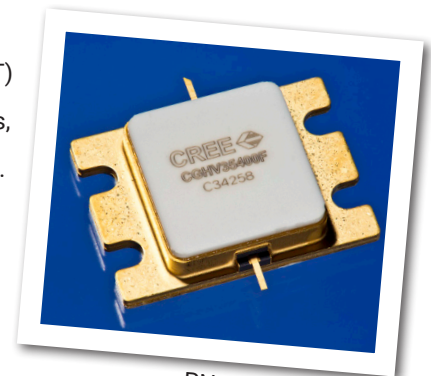


# CGHV35400F

**400 W, 2900 - 3500 MHz, 50-Ohm Input/Output Matched, GaN HEMT for S-Band Radar Systems**

Cree's CGHV35400F is a gallium nitride (GaN) high electron mobility transistor (HEMT) designed specifically with high efficiency, high gain and wide bandwidth capabilities, which makes the CGHV35400F ideal for 2.9 - 3.5 GHz S-Band radar amplifier applications. The transistor is supplied in a ceramic/metal flange package, type 440210.



PN: CGHV35400F  
Package Type: 440215

## Typical Performance Over 2.9-3.5 GHz ( $T_c = 85^\circ\text{C}$ ) of Demonstration Amplifier

Parameter	2.9 GHz	3.2 GHz	3.5 GHz	Units
Output Power	375	400	360	W
Gain	9.8	10	9.6	dB
Drain Efficiency	66	59	57	%

Note:

Measured in the CGHV35400F-AMP1 application circuit, under 500  $\mu\text{s}$  pulse width, 10% duty cycle,  $P_{IN} = 46$  dBm.

## Features

- 2.9 - 3.5 GHz Operation
- 400 W Typical Output Power
- 10.5 dB Power Gain
- 60% Typical Drain Efficiency
- 50 Ohm Internally Matched
- <0.3 dB Pulsed Amplitude Droop

Large Signal Models Available for ADS and MWO

## Absolute Maximum Ratings (not simultaneous)

Parameter	Symbol	Rating	Units	Conditions
Pulse Width	PW	500	μs	
Duty Cycle	DC	10	%	
Drain-Source Voltage	$V_{DS}$	125	Volts	25°C
Gate-to-Source Voltage	$V_{GS}$	-10, +2	Volts	25°C
Storage Temperature	$T_{STG}$	-65, +150	°C	
Operating Junction Temperature	$T_J$	225	°C	
Maximum Forward Gate Current	$I_{GMAX}$	80	mA	25°C
Maximum Drain Current <sup>1</sup>	$I_{DMAX}$	24	A	25°C
Soldering Temperature <sup>2</sup>	$T_S$	245	°C	
Screw Torque	$\tau$	40	in-oz	
Pulsed Thermal Resistance, Junction to Case	$R_{\theta JC}$	0.22	°C/W	100 μsec, 10%, 85°C, $P_{DISS} = 418$ W
Pulsed Thermal Resistance, Junction to Case	$R_{\theta JC}$	0.30	°C/W	500 μsec, 10%, 85°C, $P_{DISS} = 418$ W
Case Operating Temperature	$T_C$	-40, +85	°C	

Notes:

<sup>1</sup> Current limit for long term, reliable operation

<sup>2</sup> Refer to the Application Note on soldering at <http://www.cree.com/rf/tools-and-support/document-library>

## Electrical Characteristics

Characteristics	Symbol	Min.	Typ.	Max.	Units	Conditions
<b>DC Characteristics<sup>1</sup> (<math>T_C = 25^\circ\text{C}</math>)</b>						
Gate Threshold Voltage	$V_{GS(th)}$	-3.8	-3.0	-2.3	$V_{DC}$	$V_{DS} = 10$ V, $I_D = 83.6$ mA
Gate Quiescent Voltage	$V_{GS(Q)}$	-	-2.7	-	$V_{DC}$	$V_{DS} = 45$ V, $I_D = 0.5$ A
Saturated Drain Current <sup>2</sup>	$I_{DS}$	62.7	75.5	-	A	$V_{DS} = 6.0$ V, $V_{GS} = 2.0$ V
Drain-Source Breakdown Voltage	$V_{BR}$	150	-	-	$V_{DC}$	$V_{GS} = -8$ V, $I_D = 83.6$ mA

Notes:

<sup>1</sup> Measured on wafer prior to packaging.

<sup>2</sup> Scaled from PCM data.

## Electrical Characteristics Continued...

Characteristics	Symbol	Min.	Typ.	Max.	Units	Conditions
<b>RF Characteristics<sup>3</sup> (<math>T_c = 85^\circ\text{C}</math>, <math>F_o = 2.9 - 3.5\text{ GHz}</math> unless otherwise noted)</b>						
Output Power at 2.9 GHz	$P_{OUT1}$	340	375	–	W	$V_{DD} = 45\text{ V}$ , $I_{DQ} = 500\text{ mA}$ , $P_{IN} = 46\text{ dBm}$
Output Power at 3.2 GHz	$P_{OUT2}$	340	400	–	W	$V_{DD} = 45\text{ V}$ , $I_{DQ} = 500\text{ mA}$ , $P_{IN} = 46\text{ dBm}$
Output Power at 3.5 GHz	$P_{OUT3}$	300	360	–	W	$V_{DD} = 45\text{ V}$ , $I_{DQ} = 500\text{ mA}$ , $P_{IN} = 46\text{ dBm}$
Gain at 2.9 GHz	$G_{P1}$	9.3	9.8	–	dB	$V_{DD} = 45\text{ V}$ , $I_{DQ} = 500\text{ mA}$ , $P_{IN} = 46\text{ dBm}$
Gain at 3.2 GHz	$G_{P2}$	9.3	10.0	–	dB	$V_{DD} = 45\text{ V}$ , $I_{DQ} = 500\text{ mA}$ , $P_{IN} = 46\text{ dBm}$
Gain at 3.5 GHz	$G_{P3}$	8.7	9.6	–	dB	$V_{DD} = 45\text{ V}$ , $I_{DQ} = 500\text{ mA}$ , $P_{IN} = 46\text{ dBm}$
Drain Efficiency at 2.9 GHz	$D_{E1}$	58	66	–	%	$V_{DD} = 45\text{ V}$ , $I_{DQ} = 500\text{ mA}$ , $P_{IN} = 46\text{ dBm}$
Drain Efficiency at 3.2 GHz	$D_{E2}$	53	59	–	%	$V_{DD} = 45\text{ V}$ , $I_{DQ} = 500\text{ mA}$ , $P_{IN} = 46\text{ dBm}$
Drain Efficiency at 3.5 GHz	$D_{E3}$	48	57	–	%	$V_{DD} = 45\text{ V}$ , $I_{DQ} = 500\text{ mA}$ , $P_{IN} = 46\text{ dBm}$
Small Signal Gain	S21	10.5	12	–	dB	$V_{DD} = 45\text{ V}$ , $I_{DQ} = 500\text{ mA}$ , $P_{IN} = -10\text{ dBm}$
Input Return Loss	S11	–	-8	-3.0	dB	$V_{DD} = 45\text{ V}$ , $I_{DQ} = 500\text{ mA}$ , $P_{IN} = -10\text{ dBm}$
Output Return Loss	S22	–	-8	-4.0	dB	$V_{DD} = 45\text{ V}$ , $I_{DQ} = 500\text{ mA}$ , $P_{IN} = -10\text{ dBm}$
Amplitude Droop	D	–	-0.3	–	dB	$V_{DD} = 45\text{ V}$ , $I_{DQ} = 500\text{ mA}$ , $P_{IN} = 46\text{ dBm}$
Output Stress Match	VSWR	–	5:1	–	$\Psi$	No damage at all phase angles, $V_{DD} = 45\text{ V}$ , $I_{DQ} = 500\text{ mA}$ , $P_{IN} = 46\text{ dBm}$ Pulsed

Notes:

<sup>3</sup> Measured in CGHV35400F-AMP1. Pulse Width = 500  $\mu\text{s}$ , Duty Cycle = 10%.

## Electrostatic Discharge (ESD) Classifications

Parameter	Symbol	Class	Test Methodology
Human Body Model	HBM	1A (> 250 V)	JEDEC JESD22 A114-D
Charge Device Model	CDM	II (200 < 500 V)	JEDEC JESD22 C101-C

## Typical Performance

Figure 1. - CGHV35400F Typical Sparameters  
 $V_{DD} = 45\text{ V}$ ,  $I_{DQ} = 0.5\text{ A}$

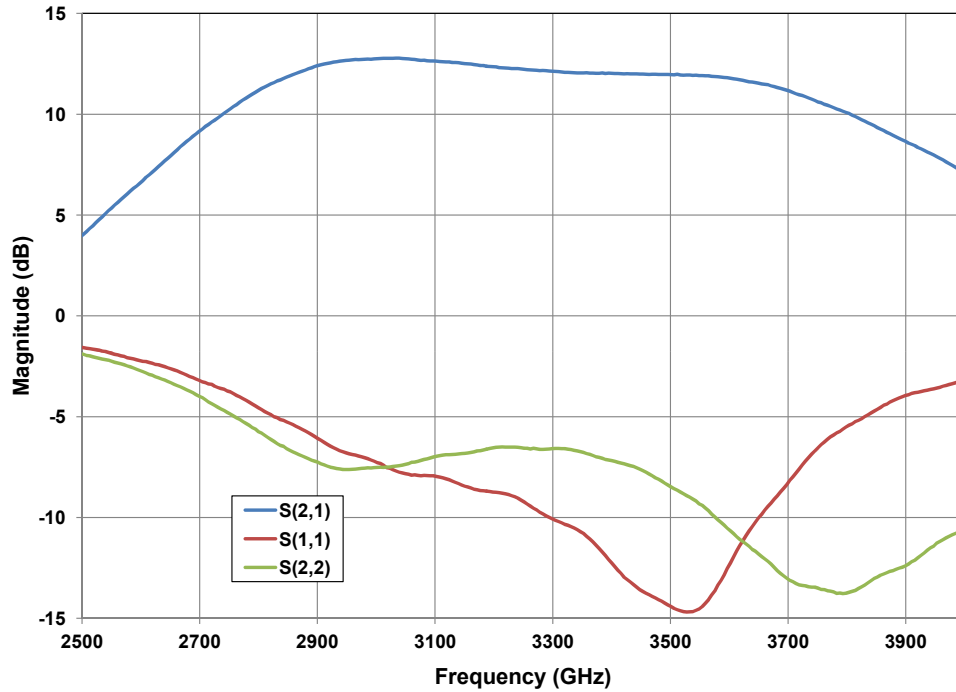
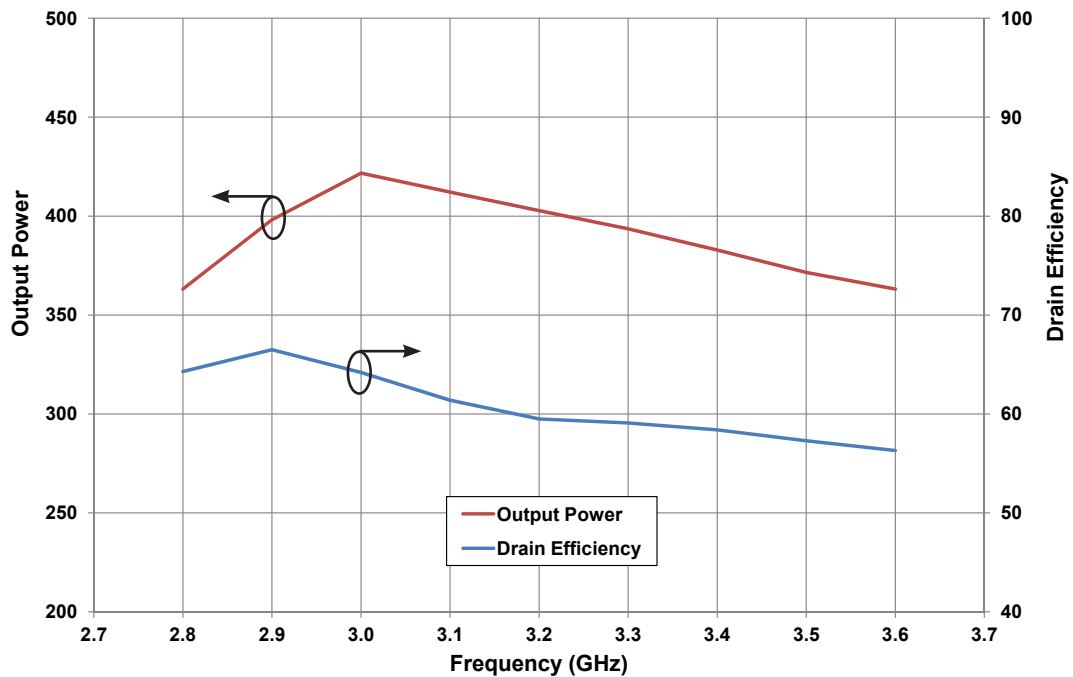
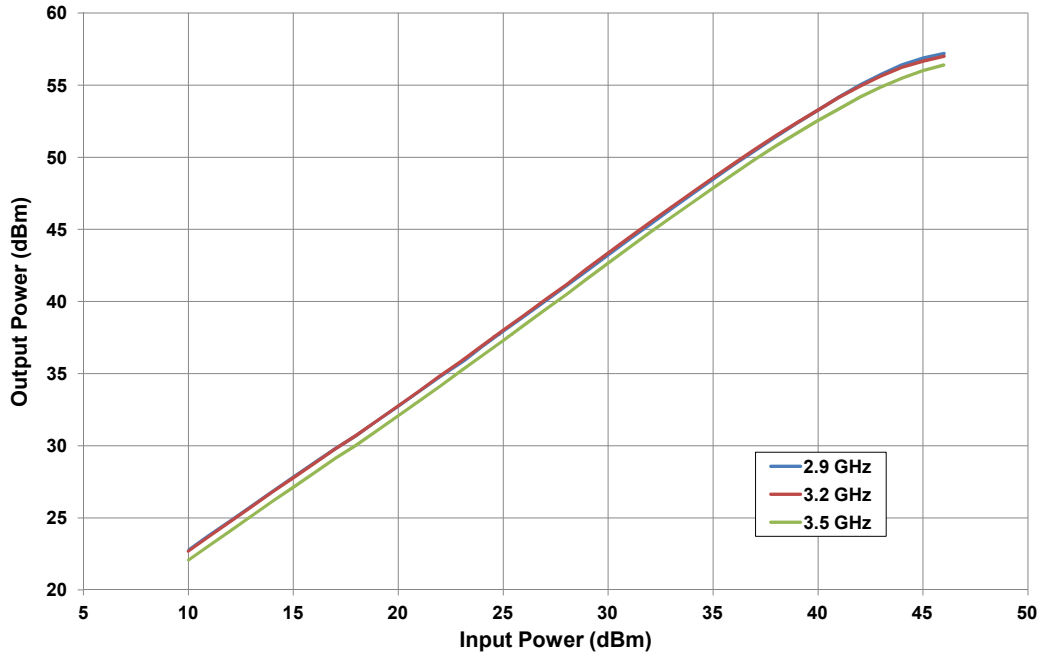


Figure 2. - CGHV35400F  $P_{OUT}$  and Drain Eff vs Frequency at  $T_{CASE} = 85^\circ\text{C}$   
 $V_{DD} = 45\text{ V}$ ,  $I_{DQ} = 0.5\text{ A}$ ,  $P_{IN} = 46\text{ dBm}$ , Pulse Width =  $500\mu\text{s}$ , Duty Cycle = 10 %

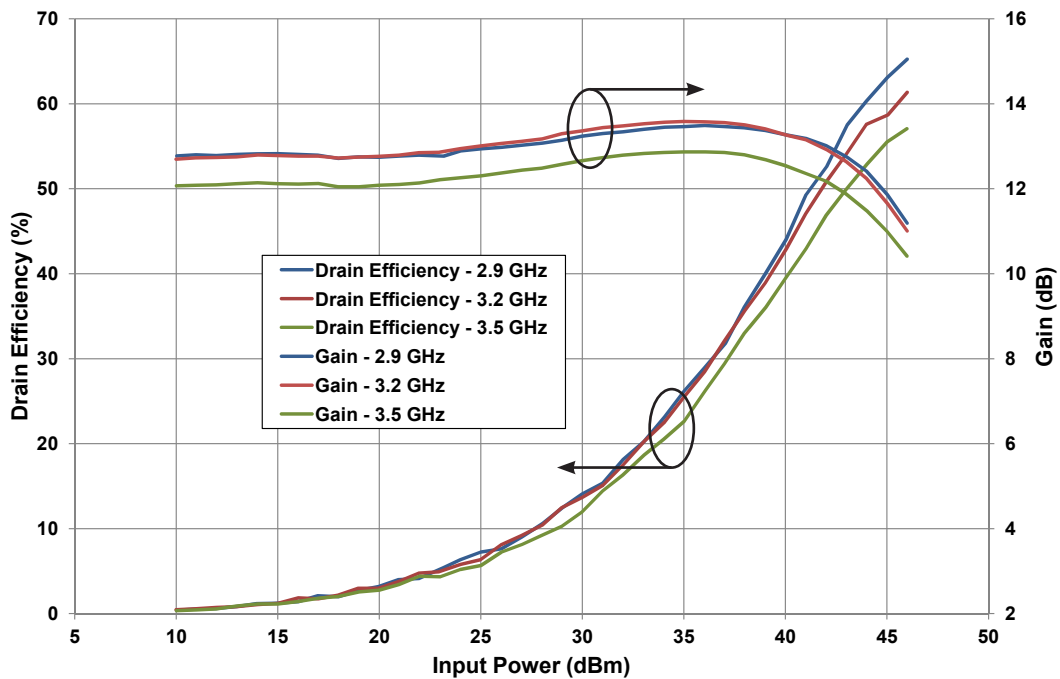


## Typical Performance

**Figure 3. - CGHV35400F Output Power vs Input Power**  
 $V_{DD} = 45\text{ V}$ ,  $I_{DQ} = 500\text{ mA}$ , Pulse Width =  $500\text{ }\mu\text{s}$ , Duty Cycle = 10 %,  $T_{case} = 85\text{ }^\circ\text{C}$



**Figure 4. - CGHV35400F Drain Efficiency & Gain vs Input Power**  
 $V_{DD} = 45\text{ V}$ ,  $I_{DQ} = 500\text{ mA}$ , Pulse Width =  $500\text{ }\mu\text{s}$ , Duty Cycle = 10 %,  $T_{case} = 85\text{ }^\circ\text{C}$

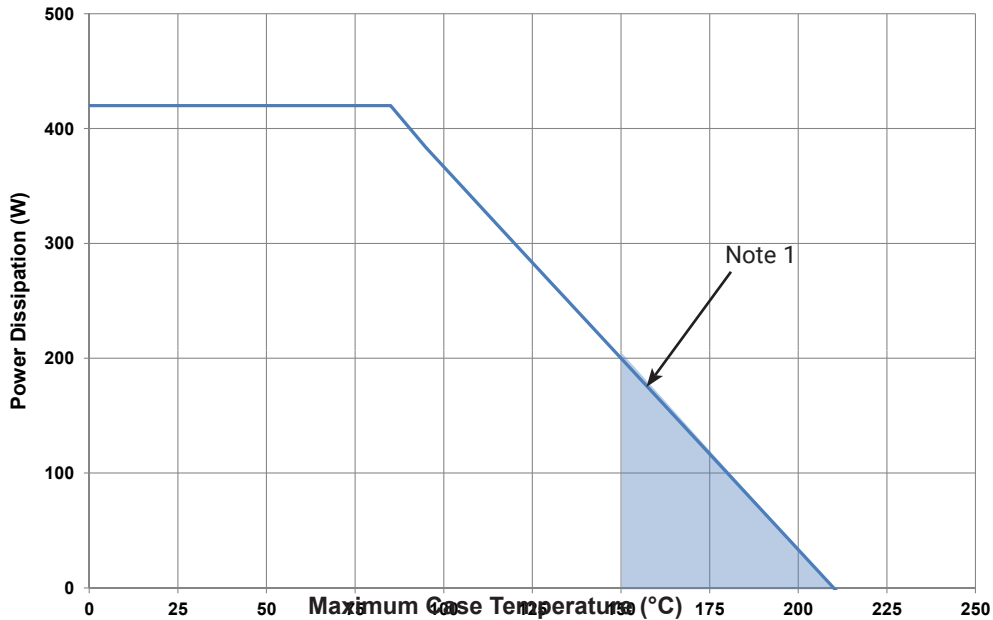


## CGHV35400F-AMP1 Application Circuit Bill of Materials

Designator	Description	Qty
R1	RES, 511, OHM, +/- 1%, 1/16W, 0603	1
R2	RES, 5.1, OHM, +/- 1%, 1/16W, 0603	1
C1	CAP, 6.8pF, +/-0.25%, 250V, 0603	1
C2, C7, C8	CAP, 10.0pF, +/-1%, 250V, 0805	3
C3	CAP, 10.0pF, +/-5%, 250V, 0603	1
C4, C9	CAP, 470pF, 5%, 100V, 0603, X	2
C5	CAP, 33000 pF, 0805, 100V, X7R	1
C6	CAP, 10uF 16V TANTALUM	1
C10	CAP, 1.0uF, 100V, 10%, X7R, 1210	1
C11	CAP, 33uF, 20%, G CASE	1
C12	CAP, 3300uF, +/-20%, 100V, ELECTROLYTIC	1
J1,J2	CONN, SMA, PANEL MOUNT JACK, FL	2
J3	HEADER, RT>PLZ, 0.1CEN LK 9POS	1
J4	CONNECTOR, SMB, Straight, JACK, SMD	1
W1	CABLE, 18 AWG, 4.2	1
-	PCB, RO4350, 2.5 X 4.0 X 0.030	1
Q1	CGHV35400F	1

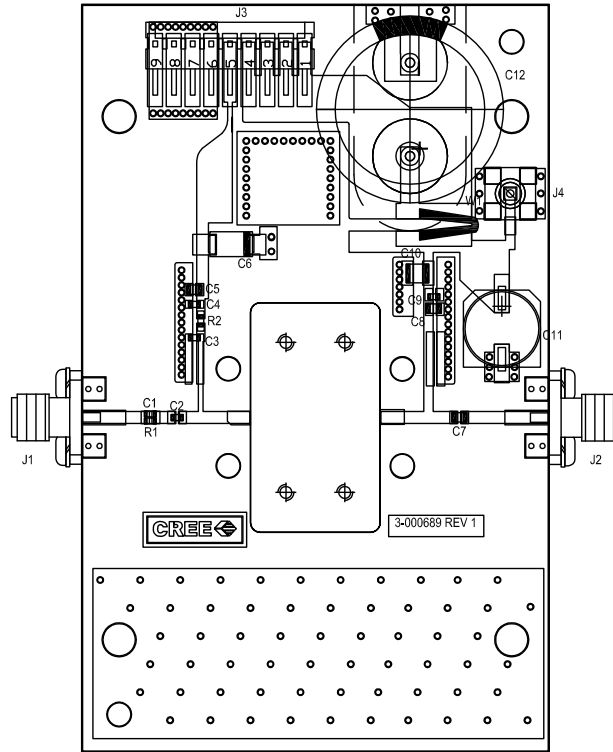
## CGHV35400F Power Dissipation De-rating Curve

Figure 5. - CGHV35400F Transient Power Dissipation De-Rating Curve

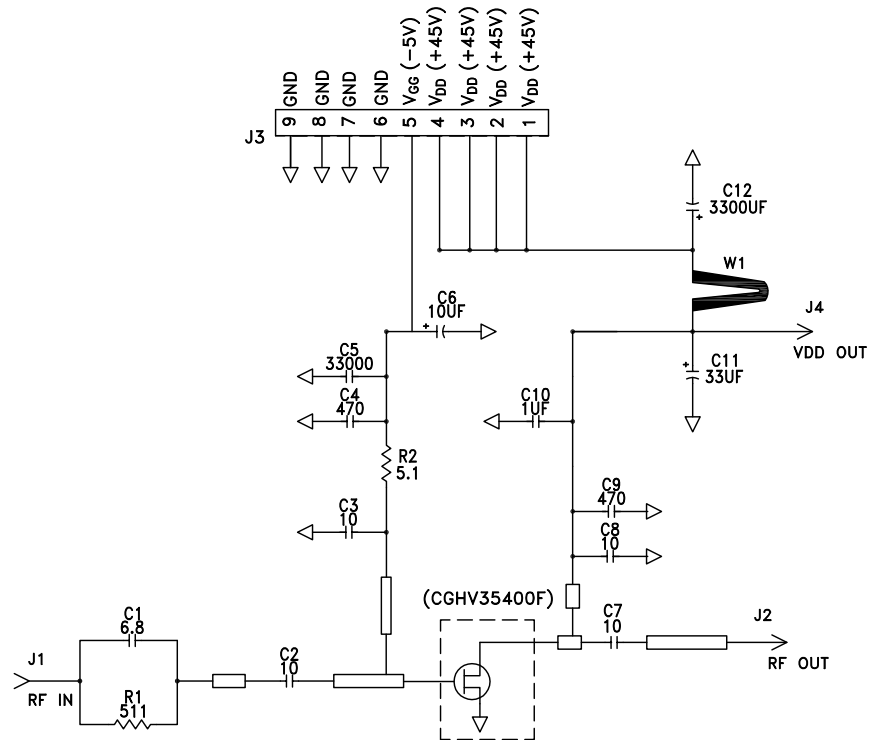


Note 1. Area exceeds Maximum Case Temperature (See Page 2).

## CGHV35400F-AMP1 Application Circuit Outline



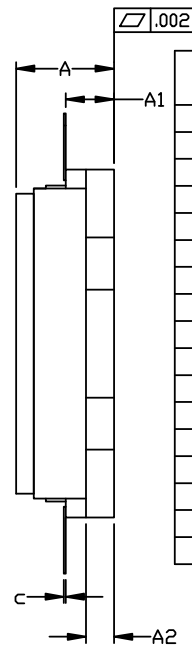
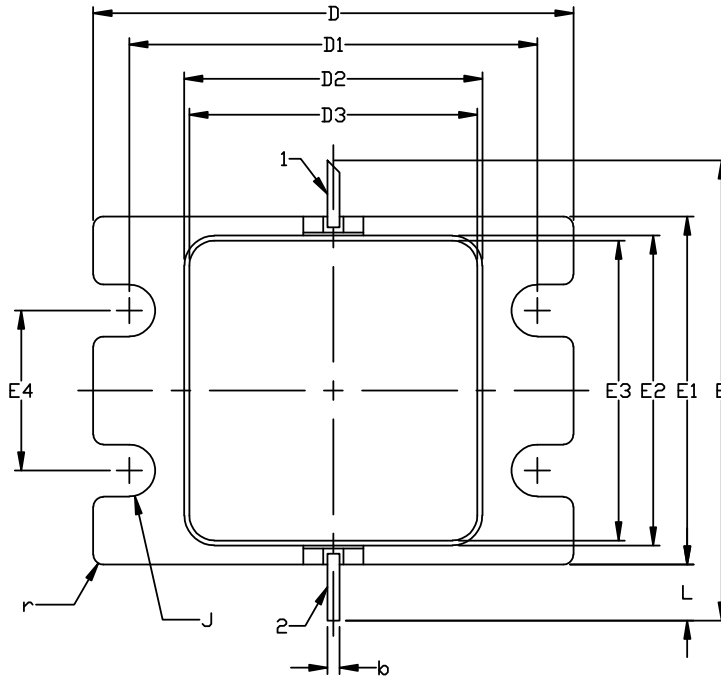
## CGHV35400F-AMP1 Application Circuit Schematic



## Product Dimensions CGHV35400F (Package Type – 440210)

NOTES: (UNLESS OTHERWISE SPECIFIED)

1. INTERPRET DRAWING IN ACCORDANCE WITH ANSI Y14.5M-2009
2. ADHESIVE FROM LID MAY EXTEND A MAXIMUM OF .020 BEYOND EDGE OF LID
3. LID MAY BE MISALIGNED TO THE BODY OF PACKAGE BY A MAXIMUM OF .008 IN ANY DIRECTION
4. ALL PLATED SURFACES ARE GOLD OVER NICKEL

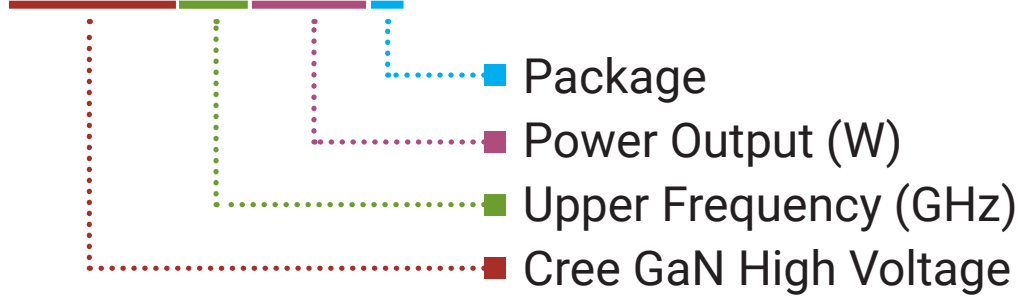


1. GATE  
2. DRAIN

DIM	INCHES		MILLIMETERS		NOTES
	MIN	MAX	MIN	MAX	
A	0.188	0.198	4.78	5.03	
A1	0.088	0.100	2.24	2.54	2x
A2	0.049	0.061	1.24	1.55	
b	0.022	0.026	0.56	0.66	2x
c	0.002	0.006	0.05	0.15	
D	0.935	0.955	23.75	24.26	
D1	0.797	0.809	20.24	20.55	2x
D2	0.581	0.593	14.76	15.06	
D3	0.563	0.571	14.30	14.50	
E	0.906		23.01		REF
E1	0.679	0.691	17.25	17.55	
E2	0.604	0.616	15.34	15.65	
E3	0.586	0.594	14.88	15.09	
E4	0.309	0.321	7.85	8.15	2x
J	∅0.097	∅0.107	∅2.46	∅2.72	4x
L	0.090	0.130	2.29	3.30	2x
r	0.02	TYP	0.51	TYP	12x



### CGHV35400F



Parameter	Value	Units
Upper Frequency <sup>1</sup>	3.5	GHz
Power Output	400	W
Package	Flange	-

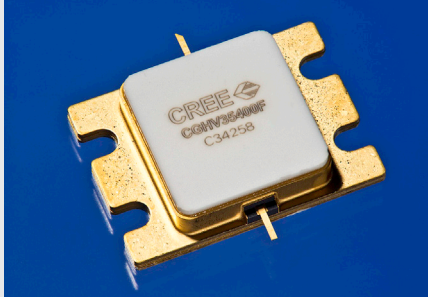
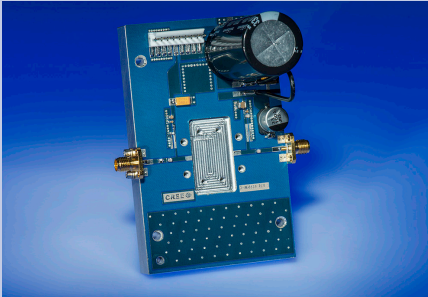
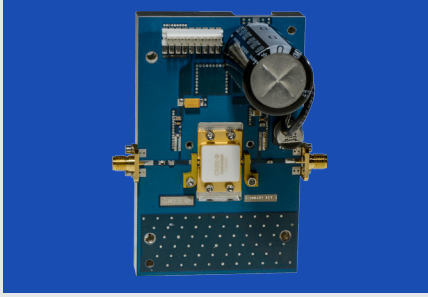
**Table 1.**

**Note<sup>1</sup>:** Alpha characters used in frequency code indicate a value greater than 9.9 GHz. See Table 2 for value.

Character Code	Code Value
A	0
B	1
C	2
D	3
E	4
F	5
G	6
H	7
J	8
K	9
Examples:	1A = 10.0 GHz 2H = 27.0 GHz

**Table 2.**

## Product Ordering Information

Order Number	Description	Unit of Measure	Image
CGHV35400F	GaN HEMT	Each	
CGHV35400F-TB	Test board without GaN HEMT	Each	
CGHV35400F-AMP1	Test board with GaN HEMT installed	Each	



## Disclaimer

Specifications are subject to change without notice. Cree, Inc. believes the information contained within this data sheet to be accurate and reliable. However, no responsibility is assumed by Cree for any infringement of patents or other rights of third parties which may result from its use. No license is granted by implication or otherwise under any patent or patent rights of Cree. Cree makes no warranty, representation or guarantee regarding the suitability of its products for any particular purpose. "Typical" parameters are the average values expected by Cree in large quantities and are provided for information purposes only. These values can and do vary in different applications and actual performance can vary over time. All operating parameters should be validated by customer's technical experts for each application. Cree products are not designed, intended or authorized for use as components in applications intended for surgical implant into the body or to support or sustain life, in applications in which the failure of the Cree product could result in personal injury or death or in applications for planning, construction, maintenance or direct operation of a nuclear facility.

For more information, please contact:

Cree, Inc.  
4600 Silicon Drive  
Durham, North Carolina, USA 27703  
[www.cree.com/rf](http://www.cree.com/rf)

Sarah Miller  
Marketing  
Cree, RF Components  
1.919.407.5302

Ryan Baker  
Marketing & Sales  
Cree, RF Components  
1.919.407.7816

Tom Dekker  
Sales Director  
Cree, RF Components  
1.919.407.5639

Компания «Океан Электроники» предлагает заключение долгосрочных отношений при поставках импортных электронных компонентов на взаимовыгодных условиях!

Наши преимущества:

- Поставка оригинальных импортных электронных компонентов напрямую с производств Америки, Европы и Азии, а так же с крупнейших складов мира;
- Широкая линейка поставок активных и пассивных импортных электронных компонентов (более 30 млн. наименований);
- Поставка сложных, дефицитных, либо снятых с производства позиций;
- Оперативные сроки поставки под заказ (от 5 рабочих дней);
- Экспресс доставка в любую точку России;
- Помощь Конструкторского Отдела и консультации квалифицированных инженеров;
- Техническая поддержка проекта, помощь в подборе аналогов, поставка прототипов;
- Поставка электронных компонентов под контролем ВП;
- Система менеджмента качества сертифицирована по Международному стандарту ISO 9001;
- При необходимости вся продукция военного и аэрокосмического назначения проходит испытания и сертификацию в лаборатории (по согласованию с заказчиком);
- Поставка специализированных компонентов военного и аэрокосмического уровня качества (Xilinx, Altera, Analog Devices, Intersil, Interpoint, Microsemi, Actel, Aeroflex, Peregrine, VPT, Syfer, Eurofarad, Texas Instruments, MS Kennedy, Miteq, Cobham, E2V, MA-COM, Hittite, Mini-Circuits, General Dynamics и др.);

Компания «Океан Электроники» является официальным дистрибьютором и эксклюзивным представителем в России одного из крупнейших производителей разъемов военного и аэрокосмического назначения «JONHON», а так же официальным дистрибьютором и эксклюзивным представителем в России производителя высокотехнологичных и надежных решений для передачи СВЧ сигналов «FORSTAR».



## JONHON

«JONHON» (основан в 1970 г.)

Разъемы специального, военного и аэрокосмического назначения:

(Применяются в военной, авиационной, аэрокосмической, морской, железнодорожной, горно- и нефтедобывающей отраслях промышленности)

«FORSTAR» (основан в 1998 г.)

ВЧ соединители, коаксиальные кабели, кабельные сборки и микроволновые компоненты:

(Применяются в телекоммуникациях гражданского и специального назначения, в средствах связи, РЛС, а так же военной, авиационной и аэрокосмической отраслях промышленности).



Телефон: 8 (812) 309-75-97 (многоканальный)

Факс: 8 (812) 320-03-32

Электронная почта: [ocean@oceanchips.ru](mailto:ocean@oceanchips.ru)

Web: <http://oceanchips.ru/>

Адрес: 198099, г. Санкт-Петербург, ул. Калинина, д. 2, корп. 4, лит. А