

NHD-2.23-12832UMY3

OLED Display Module

| | |
|--------|----------------------------------|
| NHD- | Newhaven Display |
| 2.23- | 2.23" diagonal size |
| 12832- | 128 x 32 pixel resolution |
| UM- | Model – includes Multi-Font chip |
| Y- | Emitting Color: Yellow |
| 3- | +3V power supply |

Functions and Features

- 128 x 32 pixel resolution
- Built-in SSD1305 controller
- Parallel or serial MPU interface
- Single, low voltage power supply
- RoHS compliant
- Multi-Language Fonts built-in

Newhaven Display International, Inc.

2511 Technology Drive, Suite 101

Elgin IL, 60124

Ph: 847-844-8795

Fax: 847-844-8796

www.newhavendisplay.com

nhtech@newhavendisplay.com

nhsales@newhavendisplay.com

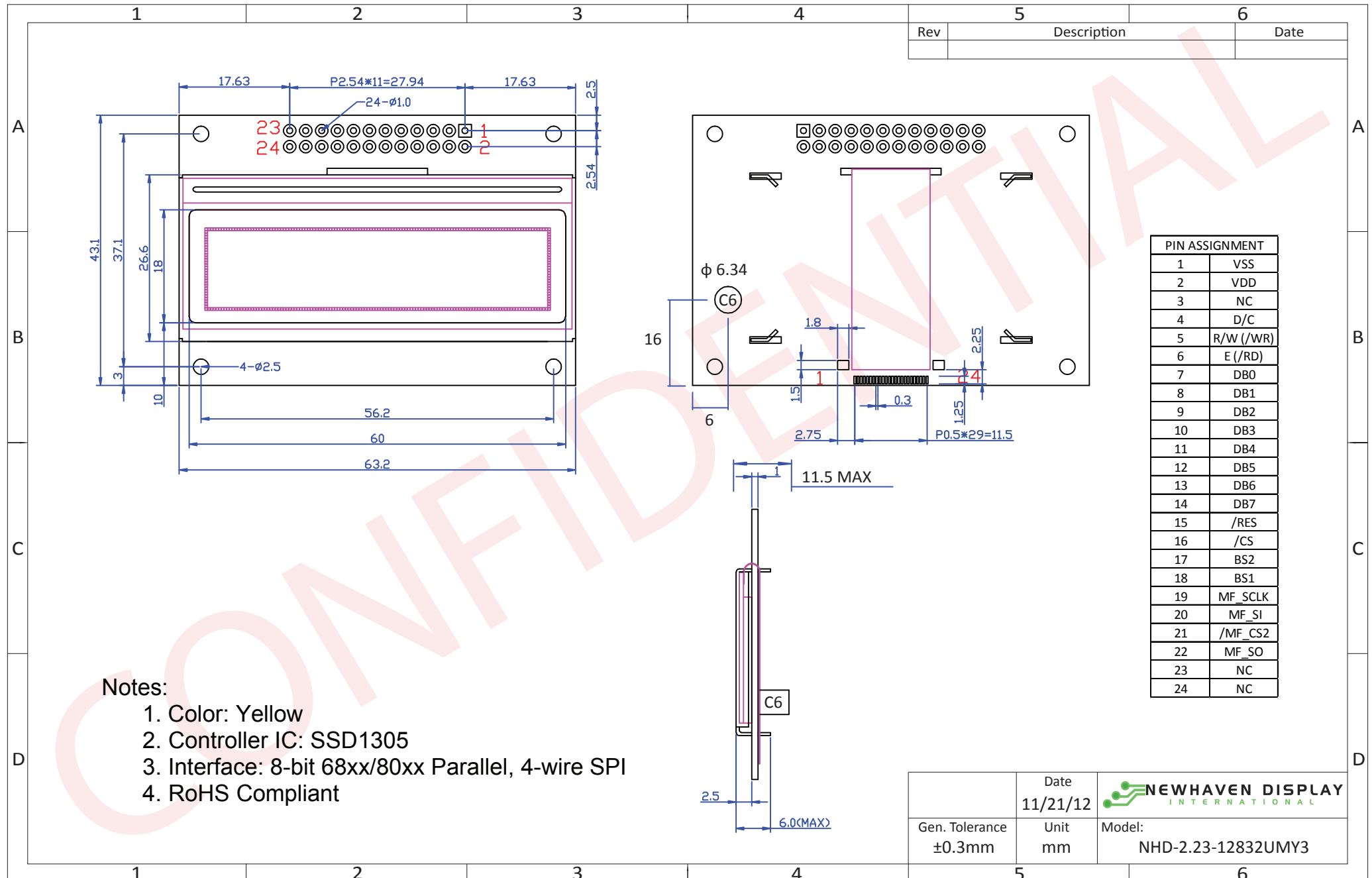
Table of Contents

1. Document Revision History
2. Mechanical Drawing
3. Interface Description
 - 3.1. Parallel Interface
 - 3.2. Serial Interface
 - 3.3. I2C Interface
 - 3.4. MPU Interface Pin Selections
 - 3.5. MPU Interface Pin Assignment Summary
4. Wiring Diagrams
5. Electrical Characteristics
6. Optical Characteristics
7. Font Content Address Table
8. Supported Languages
9. OLED controller Instruction Table
10. OLED controller to MPU interface
 - 10.1. 6800-MPU Parallel Interface
 - 10.2. 8080-MPU Parallel Interface
 - 10.3. Serial Interface
 - 10.4. I2C Interface
11. Example OLED Initialization Program code
12. Multi-Font IC to MPU interface
 - 12.1. Serial Interface
 - 12.2. Communication Protocol
 - 12.3. Timing Characteristics
13. Font Tables (see file: www.newhavendisplay.com/app_notes/MultiFont.pdf)
14. Font Data Arrangement Format (see file: www.newhavendisplay.com/app_notes/MultiFont.pdf)
15. Calculation of Font Addresses (see file: www.newhavendisplay.com/app_notes/MultiFont.pdf)
16. Multi-Font program code example
17. Quality Information

1. Document Revision History

| Revision | Date | Description | Changed by |
|----------|------------|-------------------------|------------|
| 0 | 10/15/2012 | Preliminary Release | - |
| 1 | 11/5/2012 | Initial Product Release | - |

2. Mechanical Drawing



The drawing contained herein is the exclusive property of Newhaven Display International, Inc. and shall not be copied, reproduced, and/or disclosed in any format without permission.

3. Interface Description

3.1. Parallel Interface:

| Pin No. | Symbol | External Connection | Function Description |
|---------|------------|---------------------|---|
| 1 | VSS | Power Supply | Ground |
| 2 | VDD | Power Supply | Supply Voltage for OLED and logic. |
| 3 | NC | - | No Connect |
| 4 | D/C | MPU | Register select signal. D/C=0: Command, D/C=1: Data |
| 5 | R/W or /WR | MPU | 6800-interface: Read/Write select signal, R/W=1: Read R/W:=0: Write 8080-interface: Active LOW Write signal. |
| 6 | E or /RD | MPU | 6800-interface: Operation enable signal. Falling edge triggered. 8080-interface: Active LOW Read signal. |
| 7-14 | DB0 – DB7 | MPU | 8-bit Bi-directional data bus lines. |
| 15 | /RES | MPU | Active LOW Reset signal. |
| 16 | /CS | MPU | Active LOW Chip Enable signal. |
| 17 | BS2 | MPU | MPU Interface Select signal. |
| 18 | BS1 | MPU | MPU Interface Select signal. |
| 19 | MF_SCLK | MPU | Multi-font IC Serial Clock Input |
| 20 | MF_SI | MPU | Multi-font IC Serial Data Input |
| 21 | /MF_CS2 | MPU | Multi-font IC Active LOW Chip Enable signal. |
| 22 | MF_SO | MPU | Multi-font IC Serial Data Output |
| 23 | NC | - | No Connect |
| 24 | NC | - | No Connect |

3.2. Serial Interface:

| Pin No. | Symbol | External Connection | Function Description |
|---------|---------|---------------------|---|
| 1 | VSS | Power Supply | Ground |
| 2 | VDD | Power Supply | Supply Voltage for OLED and logic. |
| 3 | NC | - | No Connect |
| 4 | D/C | MPU | Register select signal. D/C=0: Command, D/C=1: Data |
| 5-6 | VSS | Power Supply | Ground |
| 7 | SCLK | MPU | Serial Clock signal. |
| 8 | SDIN | MPU | Serial Data Input signal. |
| 9 | NC | - | No Connect |
| 10-14 | VSS | Power Supply | Ground |
| 15 | /RES | MPU | Active LOW Reset signal. |
| 16 | /CS | MPU | Active LOW Chip Enable signal. |
| 17 | BS2 | MPU | MPU Interface Select signal. |
| 18 | BS1 | MPU | MPU Interface Select signal. |
| 19 | MF_SCLK | MPU | Multi-font IC Serial Clock Input |
| 20 | MF_SI | MPU | Multi-font IC Serial Data Input |
| 21 | /MF_CS2 | MPU | Multi-font IC Active LOW Chip Enable signal. |
| 22 | MF_SO | MPU | Multi-font IC Serial Data Output |
| 23 | NC | - | No Connect |
| 24 | NC | - | No Connect |

3.3. I²C Interface:

| Pin No. | Symbol | External Connection | Function Description |
|---------|--------------------|---------------------|---|
| 1 | VSS | Power Supply | Ground |
| 2 | VDD | Power Supply | Supply Voltage for OLED and logic. |
| 3 | NC | - | No Connect |
| 4 | SA0 | MPU | Slave Address Selection signal. |
| 5-6 | VSS | Power Supply | Ground |
| 7 | SCL | MPU | Serial Clock signal. |
| 8 | SDA _{IN} | MPU | Serial Data input signal (pins 8 and 9 can be tied together). |
| 9 | SDA _{OUT} | MPU | Serial Data output signal (pin9 can be no connect). |
| 10-14 | VSS | Power Supply | Ground |
| 15 | /RES | MPU | Active LOW Reset signal. |
| 16 | /CS | MPU | Active LOW Chip Enable signal. |
| 17 | BS2 | MPU | MPU Interface Select signal. |
| 18 | BS1 | MPU | MPU Interface Select signal. |
| 19 | MF_SI | MPU | Multi-font IC Serial Data Input |
| 20 | MF_SCLK | MPU | Multi-font IC Serial Clock Input |
| 21 | /MF_CS2 | MPU | Multi-font IC Active LOW Chip Enable signal. |
| 22 | MF_SO | MPU | Multi-font IC Serial Data Output |
| 23 | NC | - | No Connect |
| 24 | NC | - | No Connect |

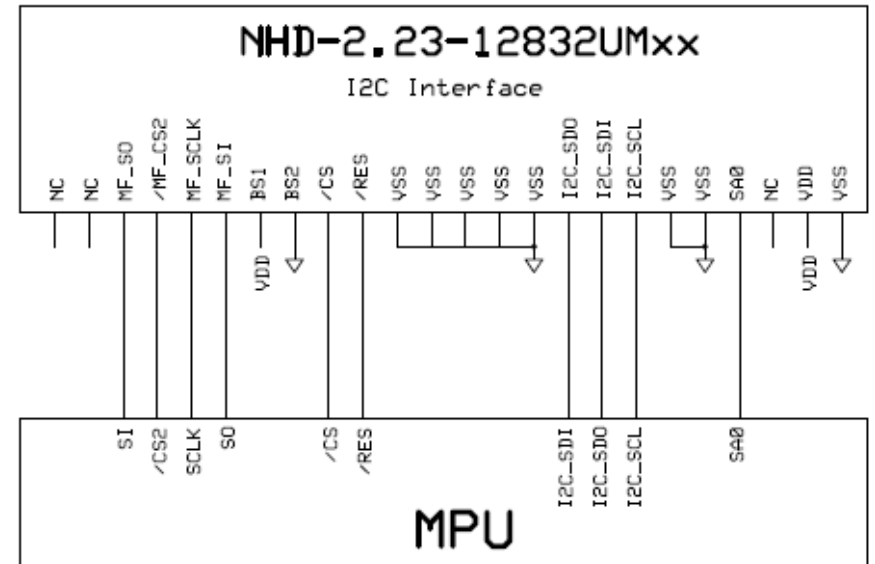
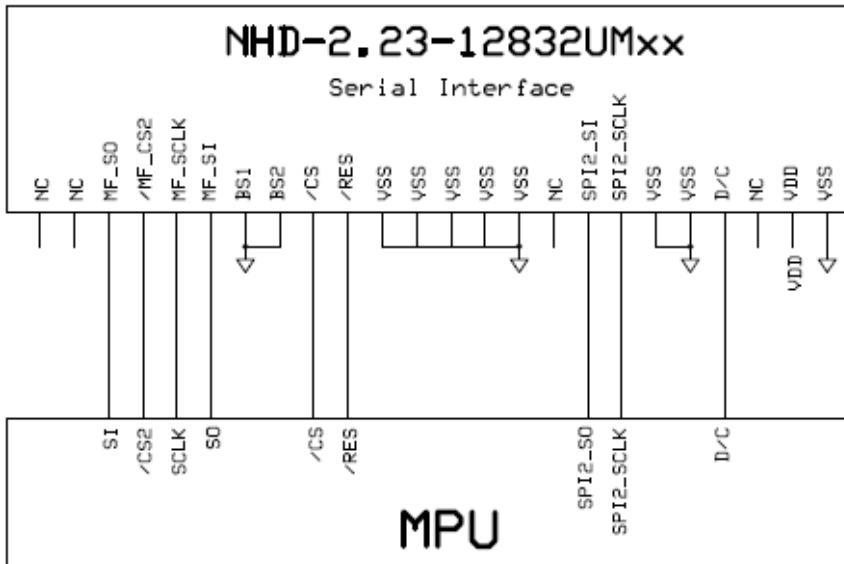
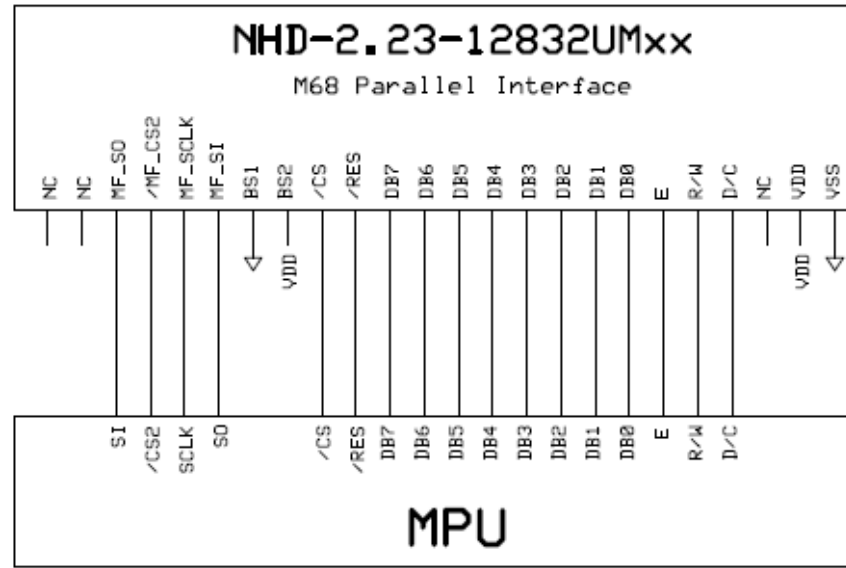
3.4. MPU Interface Pin Selections

| Pin Name | 6800 Parallel 8-bit interface | 8080 Parallel 8-bit interface | Serial Interface | I2C Interface |
|----------|-------------------------------|-------------------------------|------------------|---------------|
| BS2 | 1 | 1 | 0 | 0 |
| BS1 | 0 | 1 | 0 | 1 |

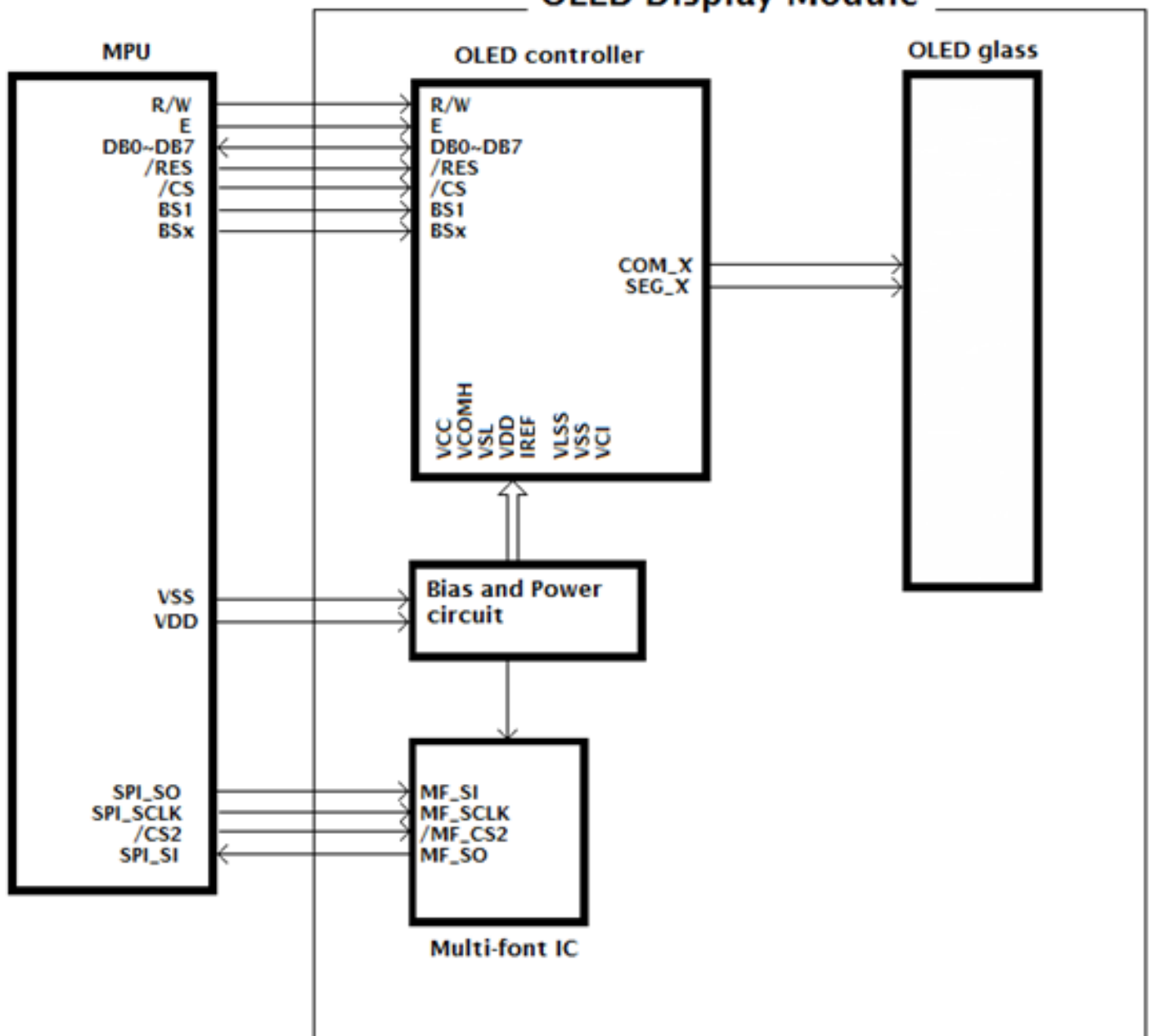
3.5. MPU Interface Pin Assignment Summary

| Bus Interface | Data/Command Interface | | | | | | | | Control Signals | | | | |
|---------------|------------------------|----|----|----|-------------------|--------------------|------|---------|-----------------|-----|-----|------|------|
| | D7 | D6 | D5 | D4 | D3 | D2 | D1 | D0 | E | R/W | /CS | D/C | /RES |
| 8-bit 6800 | D[7:0] | | | | | | | | E | R/W | /CS | D/C | /RES |
| 8-bit 8080 | D[7:0] | | | | | | | | /RD | /WR | /CS | D/C | /RES |
| SPI | Tie LOW | | | | NC | SDIN | SCLK | Tie LOW | | /CS | D/C | /RES | |
| I2C | Tie LOW | | | | SDA _{IN} | SDA _{OUT} | SCL | Tie LOW | | | SA0 | /RES | |

4. Wiring Diagrams



OLED Display Module



5. Electrical Characteristics

| Item | Symbol | Condition | Min. | Typ. | Max. | Unit |
|-----------------------------|--------------------------|-------------------|---------|-------|---------|------|
| Operating Temperature Range | Top | Absolute Max | -20 | - | +70 | °C |
| Storage Temperature Range | Tst | Absolute Max | -40 | - | +90 | °C |
| Supply Voltage | VDD | | 2.7 | 3.0 | 3.5 | V |
| Supply Current (logic) | IDD | Ta=25°C, VDD=2.8V | - | 0.195 | 15.4 | mA |
| Supply Current (display) | ICC | VDD=2.8V, 50% ON | - | 20 | 25 | mA |
| | | VDD=2.8V, 100% ON | - | 28 | 35 | mA |
| Sleep Mode Current | IDD+ICC _{SLEEP} | | - | 3 | 30 | µA |
| “H” Level input | Vih | | 0.8*VDD | - | VDD | V |
| “L” Level input | Vil | | VSS | - | 0.2*VDD | V |
| “H” Level output | Voh | | 0.9*VDD | - | VDD | V |
| “L” Level output | Vol | | VSS | - | 0.1VDD | V |

6. Optical Characteristics

| Item | Symbol | Condition | Min. | Typ. | Max. | Unit |
|------------------------------------|--------|---------------------------|--------|------|------|-------------------|
| Viewing Angle – Vertical (top) | AV | | 80 | - | - | ° |
| Viewing Angle – Vertical (bottom) | AV | | 80 | - | - | ° |
| Viewing Angle – Horizontal (left) | AH | | 80 | - | - | ° |
| Viewing Angle – Horizontal (right) | AH | | 80 | - | - | ° |
| Contrast Ratio | Cr | | 2000:1 | - | - | - |
| Response Time (rise) | Tr | - | - | 10 | - | µs |
| Response Time (fall) | Tf | - | - | 10 | - | µs |
| Brightness | | 50% checkerboard | 100 | 120 | - | cd/m ² |
| Lifetime | | Ta=25°C, 50% checkerboard | 10,000 | - | - | Hrs |

Note: Lifetime at typical temperature is based on accelerated high-temperature operation. Lifetime is tested at average 50% pixels on and is rated as Hours until **Half-Brightness**. The Display OFF command can be used to extend the lifetime of the display.

Luminance of active pixels will degrade faster than inactive pixels. Residual (burn-in) images may occur. To avoid this, every pixel should be illuminated uniformly.

7. Font Content Address Table

| # | Type | Font Content | Character Set | Number of Characters | Base Address (decimal) | Base Address (hex) |
|----|---------|----------------------------|---------------------|----------------------|------------------------|--------------------|
| 1 | ASCII | 5x7 ASCII | ASCII | 96 | 0 | 000000 |
| 2 | | 7x8 ASCII | ASCII | 96 | 768 | 000300 |
| 3 | | 8x16 BOLD ASCII | ASCII | 96 | 1,536 | 000600 |
| 4 | | Width-adjusted Arial ASCII | ASCII | 96 | 3,072 | 000C00 |
| 5 | | 8x16 Latin | Basic | 96 | 6,336 | 0018C0 |
| 6 | | 8x16 Latin | Supplement | 96 | 7,872 | 001EC0 |
| 7 | | 8x16 Latin | Extended A | 128 | 9,408 | 0024C0 |
| 8 | | 8x16 Latin | Extended B | 80 | 11,456 | 002CC0 |
| 9 | | 8x16 Latin | Extended Additional | 96 | 12,736 | 0031C0 |
| 10 | | 8x16 Greek | Basic | 96 | 14,272 | 0037C0 |
| 11 | UNICODE | 8x16 Cyrillic | Basic | 208 | 15,808 | 003DC0 |
| 12 | | 8x16 Hebrew | Basic | 112 | 19,136 | 004AC0 |
| 13 | | 8x16 Thai | Basic | 128 | 20,928 | 0051C0 |
| 14 | | Width-adjusted Latin | Basic | 96 | 22,976 | 0059C0 |
| 15 | | Width-adjusted Latin | Supplement | 96 | 26,240 | 006680 |
| 16 | | Width-adjusted Latin | Extended A | 128 | 29,504 | 007340 |
| 17 | | Width-adjusted Latin | Extended B | 80 | 33,856 | 008440 |
| 18 | | Width-adjusted Latin | Extended Additional | 96 | 36,576 | 008EE0 |
| 19 | | Width-adjusted Greek | Basic | 96 | 39,840 | 009BA0 |
| 20 | | Width-adjusted Cyrillic | Basic | 208 | 43,104 | 00A860 |
| 21 | | Width-adjusted Arabic | Basic | 576 | 50,176 | 00C400 |
| 22 | CJK | GB2312 | | 7,614 | 69,760 | 011080 |
| 23 | | KSC5605 | | 6,500 | 379,744 | 05CB60 |
| 24 | | JIS0208 | | 7,999 | 490,624 | 077C80 |
| 25 | LCM | 5x7 ISO8859 | | 1,792 | 946,992 | 0E7330 |
| 26 | | LCM 5x10 | | 1,792 | 961,328 | 0EAB30 |

8. Supported Languages

| Language Family | Area | Country | Language |
|--------------------|-----------------|-----------------------|-----------------|
| Latin (English) | Europe | United Kingdom | English |
| | | Ireland | |
| | North America | USA | English |
| | | Canada | English, French |
| | | Belize | English |
| | | Jamaica | |
| | | Trinidad and Tobago | |
| | | Bahamas | |
| | | Antigua and Barbuda | |
| | | Dominica | |
| | | St. Vincent | |
| | | St. Lucia | |
| | | Grenada | |
| | St. Kitts-Nevis | | |
| | South Africa | Guyana | English |
| | Australia | Australia | English |
| | | New Zealand | |
| | | Tonga | |
| | | Fiji | |
| | | Palau | |
| | | Solomon | |
| | | Vanuatu | |
| | | Kiribati | |
| | | Nauru | |
| | | Marshall Islands | |
| | | Africa | |
| | Zimbabwe | | English |
| Gambia | | | |
| Sierra Leone | | | |
| Liberia | | | |
| Ghana | | | |
| Nigeria | | | |
| Uganda | | | |
| Zambia | | | |
| Malawi | | | |
| Seychelles | | | |
| Mauritius | | | |
| Botswana | | | |
| Namibia | | | |
| Lesotho | | | |
| Latin (Portuguese) | Europe | Portugal | Portuguese |
| | South America | Brazil | |
| | | Cape Verde | |
| | Africa | Guinea-Bissau | |
| | | Sao Tome and Principe | |
| | | Angola | |
| Mozambique | | | |
| Latin (German) | Europe | Germany | German |
| | | Switzerland | German, French |
| | | Austria | German |
| | | Luxembourg | German, French |
| | | Liechtenstein | German |
| Latin (Dutch) | Europe | Holland | Dutch |
| | South | Surinam | |

| Language Family | Area | Country | Language |
|-----------------------|-------------------|------------------------------|------------------|
| Latin (French) | Europe | France | French |
| | | Belgium | French, Dutch |
| | | Monaco | French, Italian |
| | North America | Haiti | French |
| | Africa | Senegal | French |
| | | Mali | |
| | | Burkina Faso | |
| | | Guinea | |
| | | Cote d'Ivoire | |
| | | Togo | |
| | | Benin | |
| | | Niger | |
| | | Cameroon | |
| | | Chad | |
| | | Central African Republic | |
| | | Djibouti | |
| | | Burundi | |
| | | Republic of Democratic Congo | |
| | | Congo | |
| | | Gabon | |
| Comoros | | | |
| Madagascar | | | |
| Latin (Spanish) | Europe | Spain | Spanish, Catalan |
| | | Andorra | Spanish |
| | North America | Mexico | Spanish |
| | | Guatemala | |
| | | Costa Rica | |
| | | Panama | |
| | | Dominican Republic | |
| | | El Salvador | |
| | | Honduras | |
| | | Nicaragua | |
| | | Puerto Rico | |
| | | Cuba | |
| | South America | Venezuela | Spanish |
| | | Colombia | |
| | | Peru | |
| | | Argentina | |
| | | Ecuador | |
| | | Chile | |
| | | Uruguay | |
| | Paraguay | | |
| Bolivia | | | |
| Africa | New Guinea | Spanish | |
| | Ceuta and Melilla | | |
| Latin (Nordic Europe) | Europe | Denmark | Danish |
| | | Norway | Norwegian |
| | | Sweden | Swedish |
| | | Faroes | Faroese |
| | | Greenland | Greenlandic |
| | | Iceland | Icelandic |
| | | Finland | Finnish, Swedish |
| | | Estonia | Estonian |
| Latvia | Latvian | | |

| | | | |
|-------------------------|---------|----------------------|------------------|
| | America | | |
| Latin (Central Europe) | Europe | Czech | Czech |
| | | Slovakia | Slovak |
| | | Poland | Polish |
| | | Hungary | Hungarian |
| | | Romania | Romanian |
| | | Slovenia | Slovenian |
| | | Croatia | Croatian |
| Latin (Southern Europe) | Europe | Italy | Italian |
| | | San Marino | |
| | | Vatican | |
| | | Turkey | Turkish |
| | | Malta | Maltese |
| | | Albania | Albanian |
| Latin (Southeast Asia) | Asia | Vietnam | Vietnamese |
| | | Malaysia | Malaysian |
| | | Brunei | |
| | | Indonesia | Indonesian |
| | | East Timor | |
| | | Philippines | English, Tagalog |
| Arabic (Africa) | Africa | Egypt | Arabic |
| | | Tunisia | |
| | | Libya | |
| | | Morocco | |
| | | Algeria | |
| | | Sudan | |
| | | Somalia | |
| | | Djibouti | |
| | | Mauritania | |
| Arabic (Asia) | Asia | Syria | Arabic |
| | | United Arab Emirates | |
| | | Lebanon | |
| | | Yemen | |
| | | Kuwait | |
| | | Qatar | |
| | | Bahrain | |
| | | Oman | |
| | | Jordan | |
| | | Iraq | |
| | | Saudi Arabia | |
| | | Palestine | |
| | | Iran | |
| | | Pakistan | Urdu, Arabic |
| Afghanistan | Pashto | | |

| | | | |
|---------------------------|------------|--------------|-------------------|
| | | | |
| Cyrillic (Eastern Europe) | Europe | Lithuania | Lithuanian |
| | | Russia | Russian |
| | | Belarus | |
| | | Ukraine | Russian Ukrainian |
| | | Bulgaria | Bulgarian |
| | | Moldova | Russian |
| | | Yugoslavia | Serbian |
| | | Barbados | |
| Macedonia | Macedonian | | |
| Cyrillic (Asia) | Asia | Azerbaijan | Azeri |
| | | Kirghizstan | Kyrgyz |
| | | Tajikistan | Tajik |
| | | Turkmenistan | Turkmen |
| | | Uzbekistan | Uzbek |
| | | Kazakhstan | Kazakh |
| | | Mongolia | Mongolian |
| Greek | Europe | Greece | Greek |
| Latin (Africa) | Africa | Kenya | Kiswahili |
| | | Tanzania | |
| Hebrew | Asia | Israel | Hebrew |
| Thai | Asia | Thailand | Thai |
| Japan | Asia | Japan | Japanese |
| Korea | Asia | Korea | Korean |
| China | Asia | China | Chinese |
| | | Singapore | |

9. OLED controller Instruction Table (Built-In SSD1305 Controller/Driver)

| Instruction | Code | | | | | | | | | | Description | RESET value |
|--|------|--|---------------------------|---------------------------|---------------------------|---------------------------|---------------------------|---------------------------|---------------------------|---------------------------|---|------------------------------|
| | D/C | HEX | DB7 | DB6 | DB5 | DB4 | DB3 | DB2 | DB1 | DB0 | | |
| Set Lower Column Start Address | 0 | 00~0F | 0 | 0 | 0 | 0 | X3 | X2 | X1 | X0 | Set the lower nibble of the column start address register for Page Addressing Mode. | 0 |
| Set Higher Column Start Address | 0 | 10~1F | 0 | 0 | 0 | 1 | X3 | X2 | X1 | X0 | Set the higher nibble of the column start address register for Page Addressing Mode. | 0 |
| Set Memory Addressing Mode | 0 | 20 A[1:0] | 0 * | 0 * | 1 * | 0 * | 0 * | 0 * | 0 A1 | 0 A0 | A[1:0] = 00b, Horizontal Addressing Mode A[1:0] = 01b, Vertical Addressing Mode A[1:0] = 10b, Page Addressing Mode A[1:0] = 11b, Invalid | 10b |
| Set Column Address | 0 | 21 A[7:0] B[7:0] | 0 A7 B7 | 0 A6 B6 | 1 A5 B5 | 0 A4 B4 | 0 A3 B3 | 0 A2 B2 | 0 A1 B1 | 1 A0 B0 | Setup column start and end address A[7:0]: Column start address. Range: 0-131d B[7:0]: Column end address. Range: 0-131d | 0 131d |
| Set Page Address | 0 | 22 A[2:0] B[2:0] | 0 * * | 0 * * | 1 * * | 0 * * | 0 * * | 0 A2 B2 | 1 A1 B1 | 0 A0 B0 | Setup page start and end address A[2:0]: Page start address. Range: 0-7d B[2:0]: Page end address. Range: 0-7d | 0 7d |
| Set Display Start Line | 0 | 40~7F | 0 | 1 | X5 | X4 | X3 | X2 | X1 | X0 | Set display RAM display start line register from 0-63d. | 0 |
| Set Contrast Control | 0 | 81 A[7:0] | 1 A7 | 0 A6 | 0 A5 | 0 A4 | 0 A3 | 0 A2 | 0 A1 | 1 A0 | Double byte command to select 1 out of 256 contrast steps. Contrast increases as the value increases. | 0x80 |
| Set Brightness | 0 | 82 A[7:0] | 1 A7 | 0 A6 | 0 A5 | 0 A4 | 0 A3 | 0 A2 | 1 A1 | 0 A0 | Double byte command to select 1 out of 256 brightness steps. Brightness increases as the value increases. | 0x80 |
| Set Look-Up Table | 0 | 91 X[5:0] A[5:0] B[5:0] C[5:0] | 1 * * * * | 0 * * * * | 0 X5 A5 B5 C5 | 1 X4 A4 B4 C4 | 0 X3 A3 B3 C3 | 0 X2 A2 B2 C2 | 0 X1 A1 B1 C1 | 1 X0 A0 B0 C0 | Set current drive pulse width of Bank 0, Color A, B and C. Bank 0: X[5:0] = 31 to 63. Pulse width set to 32 to 64 clocks. Color A: X[5:0] = 31 to 63. Pulse width set to 32 to 64 clocks. Color B: X[5:0] = 31 to 63. Pulse width set to 32 to 64 clocks. Color C: X[5:0] = 31 to 63. Pulse width set to 32 to 64 clocks. Note: Color D pulse width is fixed at 64 clocks. | 0x31 0x3F 0x3F 0x3F |
| Set Bank Color of Bank1 to Bank16 (Page 0) | 0 | 92 A[7:0] B[7:0] C[7:0] D[7:0] | 1 A7 B7 C7 D7 | 0 A6 B6 C6 D6 | 0 A5 B5 C5 D5 | 1 A4 B4 C4 D4 | 0 A3 B3 C3 D3 | 0 A2 B2 C2 D2 | 1 A1 B1 C1 D1 | 0 A0 B0 C0 D0 | Sets the bank color of Bank1~Bank16 to any one of the 4 colors A,B,C, and D. A[1:0] : 00b, 01b, 10b, or 11b for Color = A, B, C, or D of BANK1. A[3:2] : 00b, 01b, 10b, or 11b for Color = A, B, C, or D of BANK2. . . . D[5:4] : 00b, 01b, 10b, or 11b for Color = A, B, C, or D of BANK15. D[7:6] : 00b, 01b, 10b, or 11b for Color = A, B, C, or D of BANK16. | |
| Set Bank Color of Bank17 to Bank32 | 0 | 93 A[7:0] | 1 A7 | 0 A6 | 0 A5 | 1 A4 | 0 A3 | 0 A2 | 1 A1 | 1 A0 | Sets the bank color of Bank17~Bank32 to any one of the 4 colors A,B,C, and D. A[1:0] : 00b, 01b, 10b, or 11b for Color = A, B, C, or D of BANK17. | |

| | | | | | | | | | | | | |
|--|---|--|---|---|---|---|---|---|---|---|--|----------------|
| (Page 1) | | B[7:0] C[7:0] D[7:0] | B7 C7 D7 | B6 C6 D6 | B5 C5 D5 | B4 C4 D4 | B3 C3 D3 | B2 C2 D2 | B1 C1 D1 | B0 C0 D0 | A[3:2] : 00b, 01b, 10b, or 11b for Color = A, B, C, or D of BANK18. . . . D[5:4] : 00b, 01b, 10b, or 11b for Color = A, B, C, or D of BANK31. D[7:6] : 00b, 01b, 10b, or 11b for Color = A, B, C, or D of BANK32. | |
| Set Segment Remap | 0 | A0/A1 | 1 | 0 | 1 | 0 | 0 | 0 | 0 | X0 | X[0] = 0; Column address 0 is mapped to SEG0 X[0] = 1; Column address 131 is mapped to SEG0 | 0 |
| Entire Display ON | 0 | A4/A5 | 1 | 0 | 1 | 0 | 0 | 1 | 0 | X0 | X[0] = 0; Resume RAM content display. Output follows RAM content. X[0] = 1; Entire display ON. Output ignores RAM content. | 0 |
| Set Normal/ Inverse Display | 0 | A6/A7 | 1 | 0 | 1 | 0 | 0 | 1 | 1 | X0 | X[0] = 0; Normal display. X[0] = 1; Inverse display. | 0 |
| Set Multiplex Ratio | 0 | A8 A[5:0] | 1 * | 0 * | 1 A5 | 0 A4 | 1 A3 | 0 A2 | 0 A1 | 0 A0 | Set MUX ratio to N+1 MUX N=A[5:0]; from 16MUX to 64MUX (0 to 14 are invalid) | 64 |
| Dim mode setting | 0 | AB A[3:0] B[7:0] C[7:0] | 1 * B7 C7 | 0 * B6 C6 | 1 * B5 C5 | 0 * B4 C4 | 1 A3 B3 C3 | 0 A2 B2 C2 | 1 A1 B1 C1 | 1 A0 B0 C0 | A[3:0] = reserved. Set as 0000b B[7:0] = Set contrast for BANK0. Range 0-255d. Refer to command 81h. C[7:0] = Set brightness for color bank. Range 0-255d. Refer to command 82h. | |
| Master configuration | 0 | AD AE | 1 1 | 0 0 | 1 0 | 0 0 | 1 1 | 1 1 | 0 1 | 1 0 | Selects external VCC supply | AEh |
| Set Display ON/ OFF | 0 | AC/ AE/ AF | 1 | 0 | 1 | 0 | 1 | 1 | A1 | A0 | ACh = Display ON in dim mode AEh = Display OFF (sleep mode) AFh = Display ON in normal mode | AEh |
| Set Page Start Address | 0 | B0~B7 | 1 | 0 | 1 | 1 | 0 | X2 | X1 | X0 | Set GDRAM Page Start Address for Page Addressing Mode using X[2:0]. PAGE0~PAGE7 | |
| Set COM Output Scan Direction | 0 | C0/C8 | 1 | 1 | 0 | 0 | X3 | 0 | 0 | 0 | X[3] = 0; Normal mode. Scan from COM0 to COM[N-1] X[3] = 1; Remapped mode. Scan from COM[N-1] to COM0 | 0 |
| Set Display Offset | 0 | D3 A[5:0] | 1 * | 1 * | 0 A5 | 1 A4 | 0 A3 | 0 A2 | 1 A1 | 1 A0 | Set vertical shift by COM from 0~63. | 0 |
| Set Display Clock Divide Ratio / Oscillator Frequency | 0 | D5 A[7:0] | 1 A7 | 1 A6 | 0 A5 | 1 A4 | 0 A3 | 1 A2 | 0 A1 | 1 A0 | A[3:0] = Define the divide ratio of the display clocks. Divide ratio = A[3:0] +1 A[7:4] = Set the Oscillator Frequency. Frequency increases with the value of A[7:4]. Range 0000b~1111b. | 0000b 0111b |
| Set Area Color Mode ON/OFF & Low Power Display Mode | 0 | D8 X[5:0] | 1 0 | 1 0 | 0 X5 | 1 X4 | 1 0 | 0 X2 | 0 0 | 0 X0 | X[5:4] = 00b; Monochrome mode X[5:4] = 11b; Area Color mode X[2] = 0 and X[0] = 0; Normal power mode X[2] = 1 and X[0] = 1; Set low power display mode | 00 00 |
| Set Pre-charge Period | 0 | D9 A[7:0] | 1 A7 | 1 A6 | 0 A5 | 1 A4 | 1 A3 | 0 A2 | 0 A1 | 1 A0 | A[3:0] = Phase 1 period of up to 15 DCLK clocks. 0 is invalid. A[7:4] = Phase 2 period of up to 15 DCLK clocks. 0 is invalid. | 2h 2h |
| Set COM pins | 0 | DA | 1 | 1 | 0 | 1 | 1 | 0 | 1 | 0 | X[4] = 0; Sequential COM pin configuration | |

| | | | | | | | | | | | | |
|------------------------------|---|----------------------------|----------------------|----------------------|-----------------------|-----------------------|-----------------------|-----------------------|----------------------|----------------------|--|--------|
| Hardware configuration | | X[5:4] | 0 | 0 | X5 | X4 | 0 | 0 | 1 | 0 | X[4] = 1; Alternative COM pin configuration X[5] = 0; Disable COM Left/Right remap X[5] = 1; Enable COM Left/Right remap | 1 1 |
| Set VCOMH Deselect Level | 0 | DB A[5:2] | 1 0 | 1 0 | 0 A5 | 1 A4 | 1 A3 | 0 A2 | 1 0 | 1 0 | A[5:2] = 0000b; VCOMH = ~0.43*VCC A[5:2] = 1101b; VCOMH = ~0.77*VCC A[5:2] = 1111b; VCOMH = ~0.83*VCC | 1101 |
| Enter Read Modify Write mode | 0 | E0 | 1 | 1 | 1 | 0 | 0 | 0 | 0 | 0 | Enter the Read/Modify/Write mode. | |
| NOP | 0 | E3 | 1 | 1 | 1 | 0 | 0 | 0 | 1 | 1 | Command for No Operation | |
| Exit Read Modify Write mode | 0 | EE | 1 | 1 | 1 | 0 | 1 | 1 | 1 | 0 | Exit the Read/Modify/Write mode. | |

For detailed instruction information, see datasheet: http://www.newhavendisplay.com/app_notes/SSD1305.pdf

10. OLED Controller -> MPU Interface

For detailed timing information, see datasheet: http://www.newhavendisplay.com/app_notes/SSD1305.pdf

10.1. 6800-MPU Parallel Interface

The parallel interface consists of 8 bi-directional data pins, R/W, D/C, E, and /CS.

A LOW on R/W indicates write operation, and HIGH on R/W indicates read operation.

A LOW on D/C indicates "Command" read or write, and HIGH on D/C indicates "Data" read or write.

The E input serves as data latch signal, while /CS is LOW. Data is latched at the falling edge of E signal.

| Function | E | R/W | /CS | D/C |
|---------------|---|-----|-----|-----|
| Write Command | ↓ | 0 | 0 | 0 |
| Read Status | ↓ | 1 | 0 | 0 |
| Write Data | ↓ | 0 | 0 | 1 |
| Read Data | ↓ | 1 | 0 | 1 |

10.2. 8080-MPU Parallel Interface

The parallel interface consists of 8 bi-directional data pins, /RD, /WR, D/C, and /CS.

A LOW on D/C indicates "Command" read or write, and HIGH on D/C indicates "Data" read or write.

A rising edge of /RS input serves as a data read latch signal while /CS is LOW.

A rising edge of /WR input serves as a data/command write latch signal while /CS is LOW.

| Function | /RD | /WR | /CS | D/C |
|---------------|-----|-----|-----|-----|
| Write Command | 1 | ↑ | 0 | 0 |
| Read Status | ↑ | 1 | 0 | 0 |
| Write Data | 1 | ↑ | 0 | 1 |
| Read Data | ↑ | 1 | 0 | 1 |

Alternatively, /RD and /WR can be kept stable while /CS serves as the data/command latch signal.

| Function | /RD | /WR | /CS | D/C |
|---------------|-----|-----|-----|-----|
| Write Command | 1 | 0 | ↑ | 0 |
| Read Status | 0 | 1 | ↑ | 0 |
| Write Data | 1 | 0 | ↑ | 1 |
| Read Data | 0 | 1 | ↑ | 1 |

10.3. Serial Interface

The serial interface consists of serial clock SCLK, serial data SDIN, D/C, and /CS.

D0 acts as SCLK and D1 acts as SDIN. D2 should be left open. D3~D7, E, and R/W should be connected to GND.

| Function | /RD | /WR | /CS | D/C | D0 |
|---------------|-----|-----|-----|-----|----|
| Write Command | 0 | 0 | 0 | 0 | ↑ |
| Write Data | 0 | 0 | 0 | 1 | ↑ |

SDIN is shifted into an 8-bit shift register on every rising edge of SCLK in the order of D7, D6,...D0.

D/C is sampled on every eighth clock and the data byte in the shift register is written to the GDRAM or command register in the same clock.

Note: Read is not available in serial mode.

10.4. I²C Interface

The I2C interface consists of a slave address bit SA0, I2C-bus data signal SDA, and I2C-bus clock signal SCL.

D1 and D2 can be tied together, and act as SDA. D0 acts as SCL. Both the data and clock signals must be connected to pull-up resistors. /RES is used to initialize the device.

Note: SA0 bit allows the device to have a slave address of either "0111100" or "0111101".

Note: Data and acknowledgement are sent through the SDA. The ITO track resistance and the pull-up resistance at SDA becomes a voltage potential divider. As a result, it may not be possible to attain a valid logic "0" level on SDA for the ACK signal. SDA_{IN} must be connected, but SDA_{OUT} may be disconnected and the ACK signal will be ignored on the I2C bus.

For detailed protocol information, see datasheet: http://www.newhavendisplay.com/app_notes/SSD1305.pdf

11. Example Initialization Sequence:

```
Set_Display_On_Off(0x00);           // Display Off (0x00/0x01)
Set_Display_Clock(0x10);           // Set Clock as 160 Frames/Sec
Set_Multiplex_Ratio(0x1F);         // 1/32 Duty (0x0F~0x3F)
Set_Display_Offset(0x00);          // Shift Mapping RAM Counter (0x00~0x3F)
Set_Start_Line(0x00);              // Set Mapping RAM Display Start Line (0x00~0x3F)
Set_Master_Config(0x00);           // Disable Embedded DC/DC Converter (0x00/0x01)
Set_Area_Color(0x05);              // Set Monochrome & Low Power Save Mode
Set_Addresssing_Mode(0x02);        // Set Page Addressing Mode (0x00/0x01/0x02)
Set_Segment_Remap(0x01);           // Set SEG/Column Mapping (0x00/0x01)
Set_Common_Remap(0x08);            // Set COM/Row Scan Direction (0x00/0x08)
Set_Common_Config(0x10);           // Set Alternative Configuration (0x00/0x10)
Set_LUT(0x3F,0x3F,0x3F,0x3F);     // Define All Banks Pulse Width as 64 Clocks
Set_Contrast_Control(Brightness);  // Set SEG Output Current
Set_Area_Brightness(Brightness);   // Set Brightness for Area Color Banks
Set_Precharge_Period(0xD2);        // Set Pre-Charge as 13 Clocks & Discharge as 2 Clock
Set_VCOMH(0x08);                  // Set VCOM Deselect Level
Set_Entire_Display(0x00);          // Disable Entire Display On (0x00/0x01)
Set_Inverse_Display(0x00);         // Disable Inverse Display On (0x00/0x01)
Fill_RAM(0x00);                   // Clear Screen
Set_Display_On_Off(0x01);          // Display On (0x00/0x01)
```

12. Multi-Font IC -> MPU Interface

12.1. Serial Interface

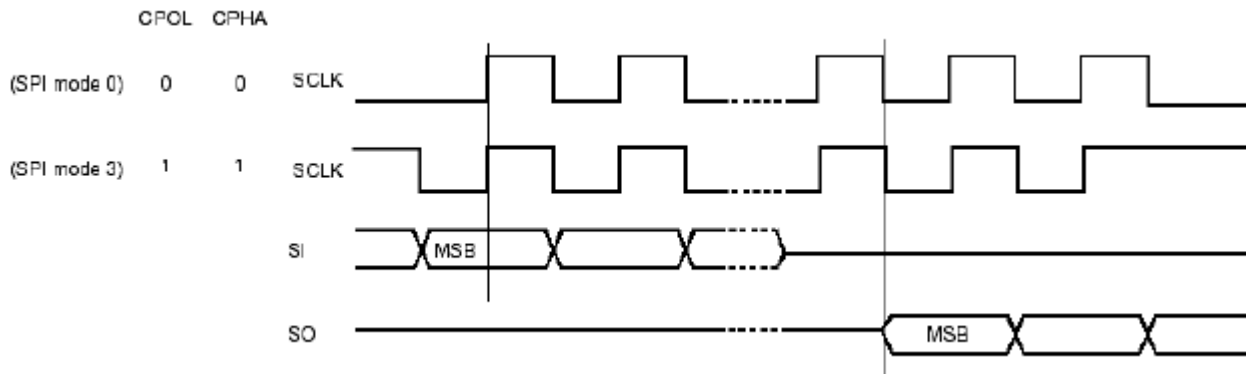
The serial interface consists of serial clock MF_SCLK, serial data in MF_SI, serial data out MF_SO, chip enable /MF_CS2.

| Function | MF_SCLK | MF_SI | MF_SO | /MF_CS2 |
|-------------------|---------|-------|-------|---------|
| Send Font Address | ↑ | DATA | X | 0 |
| Read Font Data | ↓ | X | DATA | 0 |

The Multi-Font device is enabled by a high-to-low transition on /MF_CS2. /MF_CS2 must remain LOW for the duration of any command-in or data-out sequence.

The Font Address is shifted in on the MF_SI line on the rising edge of MF_SCLK.

The Font Data is shifted out on the MF_SO line on the falling edge of MF_SCLK.



12.2. Communication Protocol

Font data can be accessed and read by using the READ command instruction.

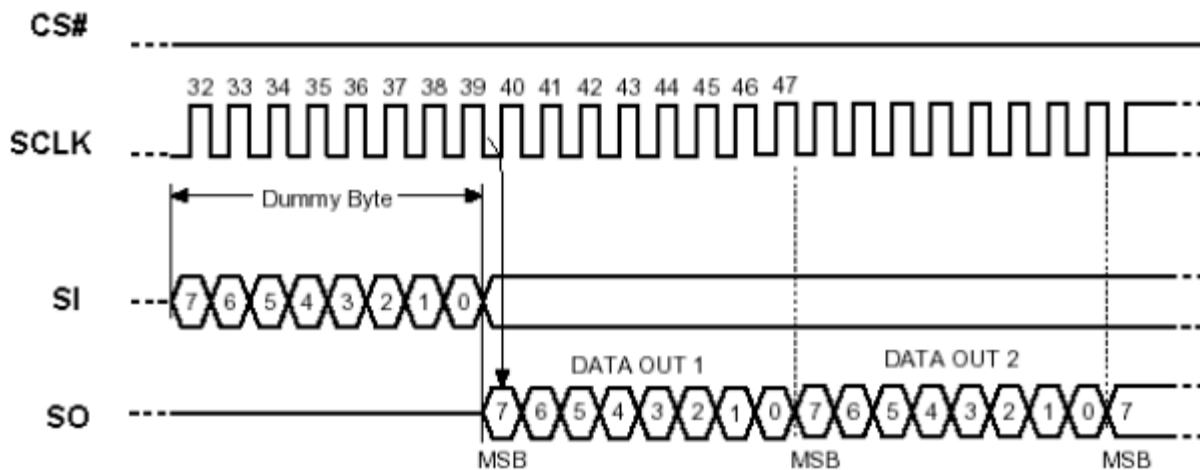
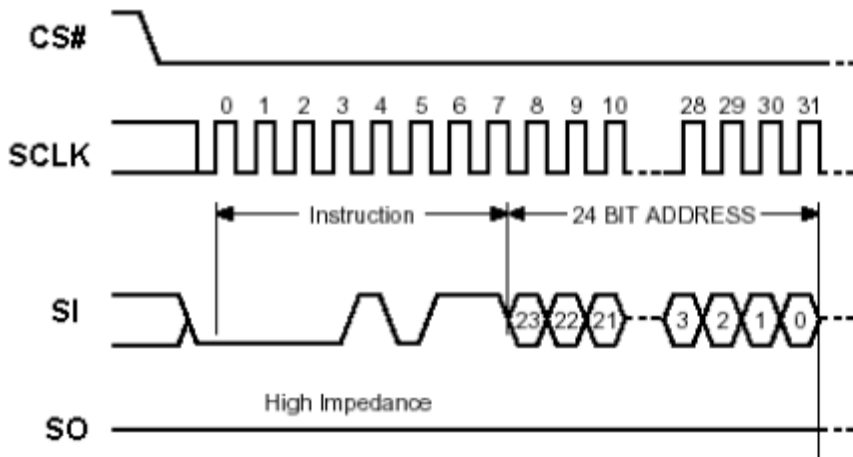
| Instruction | Description | Instruction Code | Address Bytes | Dummy Bytes | Data Bytes |
|-------------|-----------------------|------------------|---------------|-------------|------------|
| READ | Read Data (30MHz MAX) | 0Bh | 3 | 1 | 1 ~ ∞ |

READ mode supports up to 30MHz frequency on MF_SCLK.

READ mode outputs the data starting from the specified address location. The data output stream is continuous through all addresses until terminated by a low-to-high transition on /MF_CS2. The internal address pointer will automatically increment after each byte is read.

READ instruction is initiated by executing an 8-bit command [0x0B] on the MF_SI line, followed by the desired font address bits [A23-A0], and followed by an 8-bit dummy write [0x00]. The font data will then be output on MF_SO line, MSB first.

/MF_CS2 must remain active LOW for the duration of the read cycle.



12.3. Timing Characteristics

| Symbol | Parameter | Condition | Min. | Max. | Unit |
|--------|-------------------------------|---------------------|------|------|------|
| Fc | Clock Frequency | | - | 30 | MHz |
| tCH | Clock High Time | | 15 | - | ns |
| tCL | Clock Low Time | | 15 | - | ns |
| tCLCH | Clock Rise Time | peak to peak | 0.1 | - | V/ns |
| tCHCL | Clock Fall Time | peak to peak | 0.1 | - | V/ns |
| tSLCH | /MF_CS2 Active Setup Time | relative to MF_SCLK | 5 | - | ns |
| tCHSL | /MF_CS2 Not Active Hold Time | relative to MF_SCLK | 5 | - | ns |
| tDVCH | Data IN Setup Time | | 2 | - | ns |
| tCHDX | Data IN Hold Time | | 5 | - | ns |
| tCHSH | /MF_CS2 Active Hold Time | relative to MF_SCLK | 5 | - | ns |
| tSHCH | /MF_CS2 Not Active Setup Time | relative to MF_SCLK | 5 | - | ns |
| tSHSL | /MF_CS2 Deselect Time | | 100 | - | ns |
| tSHQZ | Output Disable Time | | - | 9 | ns |
| tCLQV | Clock Low to Output Valid | | - | 9 | ns |
| tCLQX | Output Hold Time | | 0 | - | ns |

13. Font Tables

See file: www.newhavendisplay.com/app_notes/MultiFont.pdf

14. Font Data Arrangement

See file: www.newhavendisplay.com/app_notes/MultiFont.pdf

15. Calculation of Font Addresses

See file: www.newhavendisplay.com/app_notes/MultiFont.pdf

16. Multi-Font program code example

17. Quality Information

| Test Item | Content of Test | Test Condition | Note |
|---------------------------------------|--|--|------|
| High Temperature storage | Test the endurance of the display at high storage temperature. | +90°C , 240hrs | 2 |
| Low Temperature storage | Test the endurance of the display at low storage temperature. | -40°C , 240hrs | 1,2 |
| High Temperature Operation | Test the endurance of the display by applying electric stress (voltage & current) at high temperature. | +85°C 240hrs | 2 |
| Low Temperature Operation | Test the endurance of the display by applying electric stress (voltage & current) at low temperature. | -40°C , 240hrs | 1,2 |
| High Temperature / Humidity Operation | Test the endurance of the display by applying electric stress (voltage & current) at high temperature with high humidity. | +60°C , 90% RH , 240hrs | 1,2 |
| Thermal Shock resistance | Test the endurance of the display by applying electric stress (voltage & current) during a cycle of low and high temperatures. | -40°C,30min -> 25°C,5min -> 85°C,30min = 1 cycle 100 cycles | |
| Vibration test | Test the endurance of the display by applying vibration to simulate transportation and use. | 10-22Hz , 15mm amplitude. 22-500Hz, 1.5G 30min in each of 3 directions X,Y,Z | 3 |
| Atmospheric Pressure test | Test the endurance of the display by applying atmospheric pressure to simulate transportation by air. | 115mbar, 40hrs | 3 |
| Static electricity test | Test the endurance of the display by applying electric static discharge. | VS=800V, RS=1.5kΩ, CS=100pF One time | |

Note 1: No condensation to be observed.

Note 2: Conducted after 2 hours of storage at 25°C, 0%RH.

Note 3: Test performed on product itself, not inside a container.

Evaluation Criteria:

- 1: Display is fully functional during operational tests and after all tests, at room temperature.
- 2: No observable defects.
- 3: Luminance >50% of initial value.
- 4: Current consumption within 50% of initial value

Precautions for using OLEDs/LCDs/LCMs

See Precautions at www.newhavendisplay.com/specs/precautions.pdf

Warranty Information and Terms & Conditions

http://www.newhavendisplay.com/index.php?main_page=terms

Компания «Океан Электроники» предлагает заключение долгосрочных отношений при поставках импортных электронных компонентов на взаимовыгодных условиях!

Наши преимущества:

- Поставка оригинальных импортных электронных компонентов напрямую с производств Америки, Европы и Азии, а так же с крупнейших складов мира;
- Широкая линейка поставок активных и пассивных импортных электронных компонентов (более 30 млн. наименований);
- Поставка сложных, дефицитных, либо снятых с производства позиций;
- Оперативные сроки поставки под заказ (от 5 рабочих дней);
- Экспресс доставка в любую точку России;
- Помощь Конструкторского Отдела и консультации квалифицированных инженеров;
- Техническая поддержка проекта, помощь в подборе аналогов, поставка прототипов;
- Поставка электронных компонентов под контролем ВП;
- Система менеджмента качества сертифицирована по Международному стандарту ISO 9001;
- При необходимости вся продукция военного и аэрокосмического назначения проходит испытания и сертификацию в лаборатории (по согласованию с заказчиком);
- Поставка специализированных компонентов военного и аэрокосмического уровня качества (Xilinx, Altera, Analog Devices, Intersil, Interpoint, Microsemi, Actel, Aeroflex, Peregrine, VPT, Syfer, Eurofarad, Texas Instruments, MS Kennedy, Miteq, Cobham, E2V, MA-COM, Hittite, Mini-Circuits, General Dynamics и др.);

Компания «Океан Электроники» является официальным дистрибьютором и эксклюзивным представителем в России одного из крупнейших производителей разъемов военного и аэрокосмического назначения «JONHON», а так же официальным дистрибьютором и эксклюзивным представителем в России производителя высокотехнологичных и надежных решений для передачи СВЧ сигналов «FORSTAR».



JONHON

«JONHON» (основан в 1970 г.)

Разъемы специального, военного и аэрокосмического назначения:

(Применяются в военной, авиационной, аэрокосмической, морской, железнодорожной, горно- и нефтедобывающей отраслях промышленности)

«FORSTAR» (основан в 1998 г.)

ВЧ соединители, коаксиальные кабели, кабельные сборки и микроволновые компоненты:

(Применяются в телекоммуникациях гражданского и специального назначения, в средствах связи, РЛС, а так же военной, авиационной и аэрокосмической отраслях промышленности).



Телефон: 8 (812) 309-75-97 (многоканальный)

Факс: 8 (812) 320-03-32

Электронная почта: ocean@oceanchips.ru

Web: <http://oceanchips.ru/>

Адрес: 198099, г. Санкт-Петербург, ул. Калинина, д. 2, корп. 4, лит. А