

FEATURES

- 256 positions
- 10 k Ω , 100 k Ω , 1 M Ω
- Low temperature coefficient: 30 ppm/ $^{\circ}$ C
- Internal power on midscale preset
- Single-supply 2.7 V to 5.5 V or dual-supply \pm 2.7 V for ac or bipolar operation
- I²C-compatible interface with readback capability
- Extra programmable logic outputs
- Self-contained shutdown feature
- Extended temperature range: -40° C to $+105^{\circ}$ C

APPLICATIONS

- Multimedia, video, and audio
- Communications
- Mechanical potentiometer replacement
- Instrumentation: gain, offset adjustment
- Programmable voltage-to-current conversion
- Line impedance matching

GENERAL DESCRIPTION

The [AD5241/AD5242](#) provide a single-/dual-channel, 256-position, digitally controlled variable resistor (VR) device. These devices perform the same electronic adjustment function as a potentiometer, trimmer, or variable resistor. Each VR offers a completely programmable value of resistance between the A terminal and the wiper, or the B terminal and the wiper. For the [AD5242](#), the fixed A-to-B terminal resistance of 10 k Ω , 100 k Ω , or 1 M Ω has a 1% channel-to-channel matching tolerance. The nominal temperature coefficient of both parts is 30 ppm/ $^{\circ}$ C.

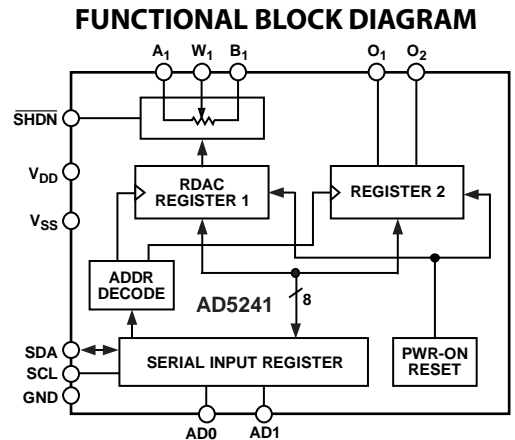


Figure 1. [AD5241](#) Functional Block Diagram

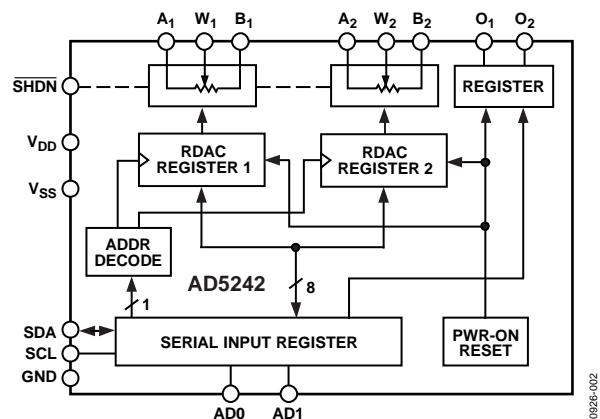


Figure 2. [AD5242](#) Functional Block Diagram

Wiper position programming defaults to midscale at system power on. When powered, the VR wiper position is programmed by an I²C-compatible, 2-wire serial data interface. Both parts have two extra programmable logic outputs available that enable users to drive digital loads, logic gates, LED drivers, and analog switches in their system.

The [AD5241/AD5242](#) are available in surface-mount, 14-lead SOIC and 16-lead SOIC packages and, for ultracompact solutions, 14-lead TSSOP and 16-lead TSSOP packages. All parts are guaranteed to operate over the extended temperature range of -40° C to $+105^{\circ}$ C.

TABLE OF CONTENTS

| | | | |
|---|---|---|----|
| Features | 1 | Test Circuits..... | 11 |
| Applications..... | 1 | Theory of Operation | 12 |
| Functional Block Diagram | 1 | Programming the Variable Resistor..... | 12 |
| General Description | 1 | Programming the Potentiometer Divider | 13 |
| Revision History | 2 | Digital Interface | 13 |
| Specifications..... | 3 | Readback RDAC Value..... | 14 |
| 10 k Ω , 100 k Ω , 1 M Ω Version | 3 | Multiple Devices on One Bus | 14 |
| Timing Diagrams..... | 5 | Level-Shift for Bidirectional Interface | 14 |
| Absolute Maximum Ratings..... | 6 | Additional Programmable Logic Output | 15 |
| ESD Caution..... | 6 | Shutdown Function..... | 15 |
| Pin Configurations and Function Descriptions | 7 | Outline Dimensions | 16 |
| Typical Performance Characteristics | 8 | Ordering Guide | 18 |

REVISION HISTORY

6/15—Rev. C to Rev. D

| | |
|---------------------------------|----|
| Changes to Ordering Guide | 18 |
|---------------------------------|----|

12/09—Rev. B to Rev. C

| | |
|--|----|
| Changes to Features Section..... | 1 |
| Changes to 10 k Ω , 100 k Ω , 1 M Ω Version Section..... | 3 |
| Changes to Table 3..... | 6 |
| Deleted Digital Potentiometer Selection Guide Section | 14 |
| Changed Self-Contained Shutdown Function Section to Shutdown Function Section | 15 |
| Changes to Shutdown Function Section | 15 |
| Changes to Ordering Guide | 18 |

8/02—Rev. A to Rev. B

| | |
|---|----|
| Additions to Features | 1 |
| Changes to General Description | 1 |
| Changes to Specifications | 2 |
| Changes to Absolute Maximum Ratings | 4 |
| Additions to Ordering Guide..... | 4 |
| Changes to TPC 8 and TPC 9 | 8 |
| Changes to Readback RDAC Value Section..... | 11 |
| Changes to Additional Programmable Logic Output Section.. | 11 |
| Added Self-Contained Shutdown Section..... | 12 |
| Added Figure 8..... | 12 |
| Changes to Digital Potentiometer Selection Guide | 14 |

2/02—Rev. 0 to Rev. A

| | |
|--|----|
| Edits to Features..... | 1 |
| Edits to Functional Block Diagrams | 1 |
| Edits to Absolute Maximum Ratings | 4 |
| Changes to Ordering Guide | 4 |
| Edits to Pin Function Descriptions | 5 |
| Edits to Figures 1, 2, 3..... | 6 |
| Added Readback RDAC Value Section, Additional Programmable Logic Output Section, and Figure 7; Renumbered Sequentially | 11 |
| Changes to Digital Potentiometer Selection Guide | 14 |

SPECIFICATIONS

10 k Ω , 100 k Ω , 1 M Ω VERSION

$V_{DD} = 2.7\text{ V to }5.5\text{ V}$, $V_A = V_{DD}$, $V_B = 0\text{ V}$, $-40^\circ\text{C} < T_A < +105^\circ\text{C}$, unless otherwise noted.

Table 1.

| Parameter | Symbol | Conditions | Min | Typ ¹ | Max | Unit |
|---|---|--|---------------------|------------------|-------------------------|-----------------------|
| DC CHARACTERISTICS, RHEOSTAT MODE (SPECIFICATIONS APPLY TO ALL VRs) | | | | | | |
| Resolution | N | | 8 | | | Bits |
| Resistor Differential Nonlinearity ² | R-DNL | R_{WB} , $V_A = \text{no connect}$ | -1 | ± 0.4 | +1 | LSB |
| Resistor Integral Nonlinearity ² | R-INL | R_{WB} , $V_A = \text{no connect}$ | -2 | ± 0.5 | +2 | LSB |
| Nominal Resistor Tolerance | $\Delta R_{AB}/R_{AB}$ | $T_A = 25^\circ\text{C}$, $R_{AB} = 10\text{ k}\Omega$ | -30 | | +30 | % |
| | | $T_A = 25^\circ\text{C}$, $R_{AB} = 100\text{ k}\Omega/1\text{ M}\Omega$ | -30 | | +50 | % |
| Resistance Temperature Coefficient | $(\Delta R_{AB}/R_{AB})/\Delta T \times 10^6$ | $V_{AB} = V_{DD}$, wiper = no connect | | 30 | | ppm/ $^\circ\text{C}$ |
| Wiper Resistance | R_W | $I_W = V_{DD}/R$ | | 60 | 120 | Ω |
| DC CHARACTERISTICS, POTENTIOMETER DIVIDER MODE (SPECIFICATIONS APPLY TO ALL VRs) | | | | | | |
| Resolution | N | | 8 | | | Bits |
| Differential Nonlinearity ³ | DNL | | -1 | ± 0.4 | +1 | LSB |
| Integral Nonlinearity ³ | INL | | -2 | ± 0.5 | +2 | LSB |
| Voltage Divider Temperature Coefficient | $(\Delta V_W/V_W)/\Delta T \times 10^6$ | Code = 0x80 | | 5 | | ppm/ $^\circ\text{C}$ |
| Full-Scale Error | V_{WFSE} | Code = 0xFF | -1 | -0.5 | 0 | LSB |
| Zero-Scale Error | V_{WZSE} | Code = 0x00 | 0 | 0.5 | 1 | LSB |
| RESISTOR TERMINALS | | | | | | |
| Voltage Range ⁴ | V_A , V_B , V_W | | V_{SS} | | V_{DD} | V |
| Capacitance (A, B) ⁵ | C_A , C_B | $f = 1\text{ MHz}$, measured to GND, code = 0x80 | | 45 | | pF |
| Capacitance (W) ⁵ | C_W | $f = 1\text{ MHz}$, measured to GND, code = 0x80 | | 60 | | pF |
| Common-Mode Leakage | I_{CM} | $V_A = V_B = V_W$ | | 1 | | nA |
| DIGITAL INPUTS | | | | | | |
| Input Logic High (SDA and SCL) | V_{IH} | | $0.7 \times V_{DD}$ | | $V_{DD} + 0.5\text{ V}$ | V |
| Input Logic Low (SDA and SCL) | V_{IL} | | -0.5 | | $+0.3 \times V_{DD}$ | V |
| Input Logic High (AD0 and AD1) | V_{IH} | $V_{DD} = 5\text{ V}$ | 2.4 | | V_{DD} | V |
| Input Logic Low (AD0 and AD1) | V_{IL} | $V_{DD} = 5\text{ V}$ | 0 | | 0.8 | V |
| Input Logic High | V_{IH} | $V_{DD} = 3\text{ V}$ | 2.1 | | V_{DD} | V |
| Input Logic Low | V_{IL} | $V_{DD} = 3\text{ V}$ | 0 | | 0.6 | V |
| Input Current | I_{IL} | $V_{IH} = 5\text{ V}$ or $V_{IL} = \text{GND}$ | | | 1 | μA |
| Input Capacitance ⁵ | C_{IL} | | | 3 | | pF |
| DIGITAL OUTPUT | | | | | | |
| Output Logic Low (SDA) | V_{OL} | $I_{OL} = 3\text{ mA}$ | | | 0.4 | V |
| Output Logic Low (O ₁ and O ₂) | V_{OL} | $I_{OL} = 6\text{ mA}$ | | | 0.6 | V |
| Output Logic High (O ₁ and O ₂) | V_{OH} | $I_{SINK} = 1.6\text{ mA}$ | | | 0.4 | V |
| Three-State Leakage Current (SDA) | I_{OZ} | $I_{SOURCE} = 40\text{ }\mu\text{A}$ | 4 | | | V |
| Output Capacitance ⁵ | C_{OZ} | $V_{IH} = 5\text{ V}$ or $V_{IL} = \text{GND}$ | | 3 | ± 1 | μA |
| | | | | | 8 | pF |
| POWER SUPPLIES | | | | | | |
| Power Single-Supply Range | $V_{DD\text{ RANGE}}$ | $V_{SS} = 0\text{ V}$ | 2.7 | | 5.5 | V |
| Power Dual-Supply Range | $V_{DD}/V_{SS\text{ RANGE}}$ | | ± 2.3 | | ± 2.7 | V |
| Positive Supply Current | I_{DD} | $V_{IH} = 5\text{ V}$ or $V_{IL} = \text{GND}$ | | 0.1 | 50 | μA |
| Negative Supply Current | I_{SS} | $V_{SS} = -2.5\text{ V}$, $V_{DD} = +2.5\text{ V}$ | | +0.1 | -50 | μA |
| Power Dissipation ⁶ | P_{DISS} | $V_{IH} = 5\text{ V}$ or $V_{IL} = \text{GND}$, $V_{DD} = 5\text{ V}$ | | 0.5 | 250 | μW |
| Power Supply Sensitivity | PSS | | -0.01 | +0.002 | +0.01 | %/% |

| Parameter | Symbol | Conditions | Min | Typ ¹ | Max | Unit |
|---|-------------------|---|-----|------------------|-----|--------|
| DYNAMIC CHARACTERISTICS^{5, 7, 8} | | | | | | |
| –3 dB Bandwidth | BW_10 kΩ | R _{AB} = 10 kΩ, code = 0x80 | | 650 | | kHz |
| | BW_100 kΩ | R _{AB} = 100 kΩ, code = 0x80 | | 69 | | kHz |
| | BW_1 MΩ | R _{AB} = 1 MΩ, code = 0x80 | | 6 | | kHz |
| Total Harmonic Distortion | THD _W | V _A = 1 V rms + 2 V dc, V _B = 2 V dc, f = 1 kHz | | 0.005 | | % |
| V _W Settling Time | t _S | V _A = V _{DD} , V _B = 0 V, ± 1 LSB error band, R _{AB} = 10 kΩ | | 2 | | μs |
| Resistor Noise Voltage | e _{N_WB} | R _{WB} = 5 kΩ, f = 1 kHz | | 14 | | nV/√Hz |
| INTERFACE TIMING CHARACTERISTICS (APPLIES TO ALL PARTS^{5, 9}) | | | | | | |
| SCL Clock Frequency | f _{SCL} | | 0 | | 400 | kHz |
| Bus Free Time Between Stop and Start, t _{BUF} | t ₁ | | 1.3 | | | μs |
| Hold Time (Repeated Start), t _{HD; STA} | t ₂ | After this period, the first clock pulse is generated | 600 | | | ns |
| Low Period of SCL Clock, t _{LOW} | t ₃ | | 1.3 | | | μs |
| High Period of SCL Clock, t _{HIGH} | t ₄ | | 0.6 | | 50 | μs |
| Setup Time for Repeated Start Condition, t _{SU; STA} | t ₅ | | 600 | | | ns |
| Data Hold Time, t _{HD; DAT} | t ₆ | | | | 900 | ns |
| Data Setup Time, t _{SU; DAT} | t ₇ | | 100 | | | ns |
| Rise Time of Both SDA and SCL Signals, t _R | t ₈ | | | | 300 | ns |
| Fall Time of Both SDA and SCL Signals, t _F | t ₉ | | | | 300 | ns |
| Setup Time for Stop Condition, t _{SU; STO} | t ₁₀ | | | | | |

¹ Typicals represent average readings at 25°C, V_{DD} = 5 V.

² Resistor position nonlinearity error R-INL is the deviation from an ideal value measured between the maximum resistance and the minimum resistance wiper positions. R-DNL measures the relative step change from ideal between successive tap positions. Parts are guaranteed monotonic. See Test Circuits.

³ INL and DNL are measured at V_W with the RDAC configured as a potentiometer divider similar to a voltage output D/A converter. V_A = V_{DD} and V_B = 0 V. DNL specification limits of ±1 LSB maximum are guaranteed monotonic operating conditions. See Figure 37.

⁴ Resistor Terminal A, Resistor Terminal B, and Resistor Terminal W have no limitations on polarity with respect to each other.

⁵ Guaranteed by design, not subject to production test.

⁶ P_{DISS} is calculated from (I_{DD} × V_{DD}). CMOS logic level inputs result in minimum power dissipation.

⁷ Bandwidth, noise, and settling time are dependent on the terminal resistance value chosen. The lowest R value results in the fastest settling time and highest bandwidth. The highest R value results in the minimum overall power consumption.

⁸ All dynamic characteristics use V_{DD} = 5 V.

⁹ See timing diagram in Figure 3 for location of measured values.

TIMING DIAGRAMS



Figure 3. Detail Timing Diagram

Data of AD5241/AD5242 is accepted from the I²C bus in the following serial format.

Table 2.

| | | | | | | | | | | | | | | | | | | | | | | | | | | | | |
|--------------------|---|---|---|---|---|-----|-----|------------------|---|-----|----|----|----------------|----------------|---|-----------|---|---|----|----|----|----|----|----|----|----|---|---|
| S | 0 | 1 | 0 | 1 | 1 | AD1 | AD0 | R/W | A | A/B | RS | SD | O ₁ | O ₂ | X | X | X | A | D7 | D6 | D5 | D4 | D3 | D2 | D1 | D0 | A | P |
| Slave Address Byte | | | | | | | | Instruction Byte | | | | | | | | Data Byte | | | | | | | | | | | | |

where:

S = start condition

P = stop condition

A = acknowledge

X = don't care

AD1, AD0 = Package pin programmable address bits. Must be matched with the logic states at Pin AD1 and Pin AD0.

R/W = Read enable at high and output to SDA. Write enable at low.

A/B = RDAC subaddress select; 0 for RDAC1 and 1 for RDAC2.

RS = Midscale reset, active high.

SD = Shutdown in active high. Same as $\overline{\text{SHDN}}$ except inverse logic.

O₁, O₂ = Output logic pin latched values

D7, D6, D5, D4, D3, D2, D1, D0 = data bits.



Figure 4. Writing to the RDAC Serial Register



Figure 5. Reading Data from a Previously Selected RDAC Register in Write Mode

ABSOLUTE MAXIMUM RATINGS

$T_A = 25^\circ\text{C}$, unless otherwise noted.

Table 3.

| Parameter | Rating |
|---|---|
| V_{DD} to GND | -0.3 V to +7 V |
| V_{SS} to GND | 0 V to -7 V |
| V_{DD} to V_{SS} | 7 V |
| V_A, V_B, V_W to GND | V_{SS} to V_{DD} |
| I_A, I_B, I_W | |
| $R_{AB} = 10\text{ k}\Omega$ in TSSOP-14 | 5.0 mA ¹ |
| $R_{AB} = 100\text{ k}\Omega$ in TSSOP-14 | 1.5 mA ¹ |
| $R_{AB} = 1\text{ M}\Omega$ in TSSOP-14 | 0.5 mA ¹ |
| Digital Input Voltage to GND | 0 V to $V_{DD} + 0.3\text{ V}$ |
| Operating Temperature Range | -40°C to +105°C |
| Thermal Resistance θ_{JA} | |
| 14-Lead SOIC | 158°C/W |
| 16-Lead SOIC | 73°C/W |
| 14-Lead TSSOP | 206°C/W |
| 16-Lead TSSOP | 180°C/W |
| Maximum Junction Temperature (T_J max) | 150°C |
| Package Power Dissipation | $P_D = (T_J \text{ max} - T_A)/\theta_{JA}$ |
| Storage Temperature Range | -65°C to +150°C |
| Lead Temperature | |
| Vapor Phase, 60 sec | 215°C |
| Infrared, 15 sec | 220°C |

¹ Maximum current increases at lower resistance and different packages.

Stresses at or above those listed under Absolute Maximum Ratings may cause permanent damage to the product. This is a stress rating only; functional operation of the product at these or any other conditions above those indicated in the operational section of this specification is not implied. Operation beyond the maximum operating conditions for extended periods may affect product reliability.

ESD CAUTION



ESD (electrostatic discharge) sensitive device.

Charged devices and circuit boards can discharge without detection. Although this product features patented or proprietary protection circuitry, damage may occur on devices subjected to high energy ESD. Therefore, proper ESD precautions should be taken to avoid performance degradation or loss of functionality.

PIN CONFIGURATIONS AND FUNCTION DESCRIPTIONS



Figure 6. AD5241 Pin Configuration



Figure 7. AD5242 Pin Configuration

Table 4. AD5241 Pin Function Descriptions

| Pin No. | Mnemonic | Description |
|---------|-----------------|---|
| 1 | A ₁ | Resistor Terminal A ₁ . |
| 2 | W ₁ | Wiper Terminal W ₁ . |
| 3 | B ₁ | Resistor Terminal B ₁ . |
| 4 | V _{DD} | Positive Power Supply, Specified for Operation from 2.2 V to 5.5 V. |
| 5 | SHDN | Active low, asynchronous connection of Wiper W to Terminal B, and open circuit of Terminal A. RDAC register contents unchanged. SHDN should tie to V _{DD} if not used. |
| 6 | SCL | Serial Clock Input. |
| 7 | SDA | Serial Data Input/Output. |
| 8 | AD0 | Programmable Address Bit for Multiple Package Decoding. Bit AD0 and Bit AD1 provide four possible addresses. |
| 9 | AD1 | Programmable Address Bit for Multiple Package Decoding. Bit AD0 and Bit AD1 provide four possible addresses. |
| 10 | DGND | Common Ground. |
| 11 | V _{SS} | Negative Power Supply, Specified for Operation from 0 V to -2.7 V. |
| 12 | O ₂ | Logic Output Terminal O ₂ . |
| 13 | NC | No Connect. |
| 14 | O ₁ | Logic Output Terminal O ₁ . |

Table 5. AD5242 Pin Function Descriptions

| Pin No. | Mnemonic | Description |
|---------|-----------------|---|
| 1 | O ₁ | Logic Output Terminal O ₁ . |
| 2 | A ₁ | Resistor Terminal A ₁ . |
| 3 | W ₁ | Wiper Terminal W ₁ . |
| 4 | B ₁ | Resistor Terminal B ₁ . |
| 5 | V _{DD} | Positive Power Supply, Specified for Operation from 2.2 V to 5.5 V. |
| 6 | SHDN | Active Low, Asynchronous Connection of Wiper W to Terminal B, and Open Circuit of Terminal A. RDAC register contents unchanged. SHDN should tie to V _{DD} , if not used. |
| 7 | SCL | Serial Clock Input. |
| 8 | SDA | Serial Data Input/Output. |
| 9 | AD0 | Programmable Address Bit for Multiple Package Decoding. Bit AD0 and Bit AD1 provide four possible addresses. |
| 10 | AD1 | Programmable Address Bit for Multiple Package Decoding. Bit AD0 and Bit AD1 provide four possible addresses. |
| 11 | DGND | Common Ground. |
| 12 | V _{SS} | Negative Power Supply, Specified for Operation from 0 V to -2.7 V. |
| 13 | O ₂ | Logic Output Terminal O ₂ . |
| 14 | B ₂ | Resistor Terminal B ₂ . |
| 15 | W ₂ | Wiper Terminal W ₂ . |
| 16 | A ₂ | Resistor Terminal A ₂ . |

TYPICAL PERFORMANCE CHARACTERISTICS

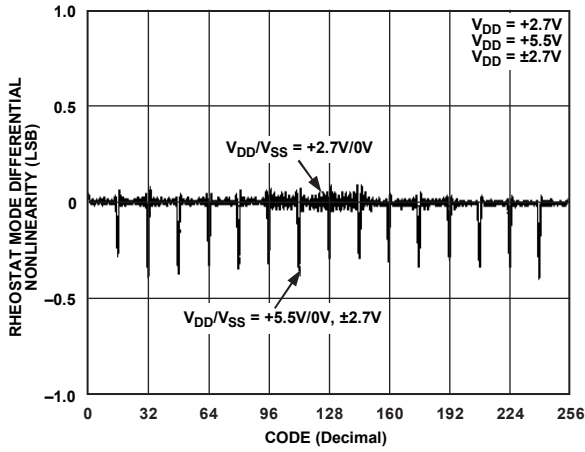


Figure 8. RDNL vs. Code



Figure 11. INL vs. Code

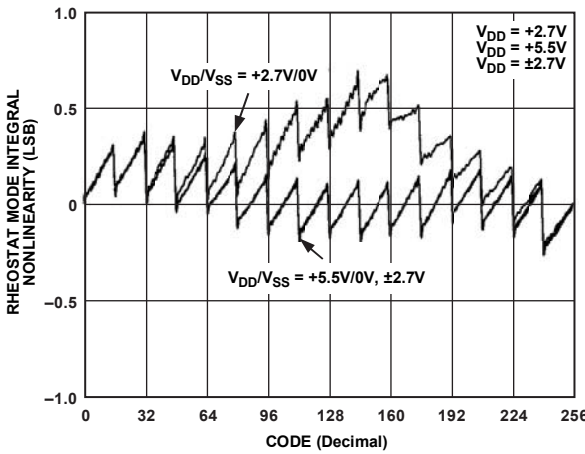


Figure 9. RINL vs. Code



Figure 12. Nominal Resistance vs. Temperature

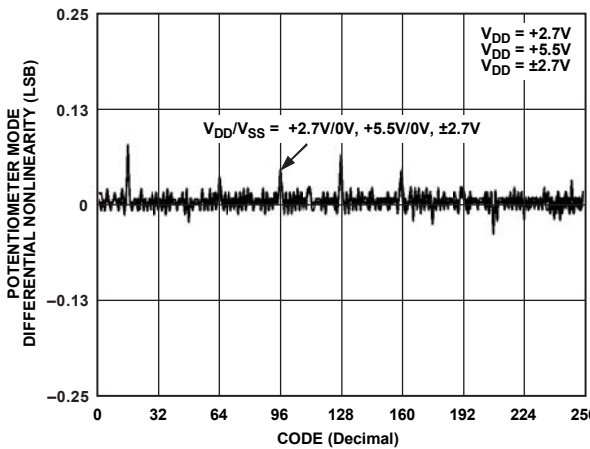


Figure 10. DNL vs. Code



Figure 13. Supply Current vs. Input Logic Voltage



Figure 14. Shutdown Current vs. Temperature

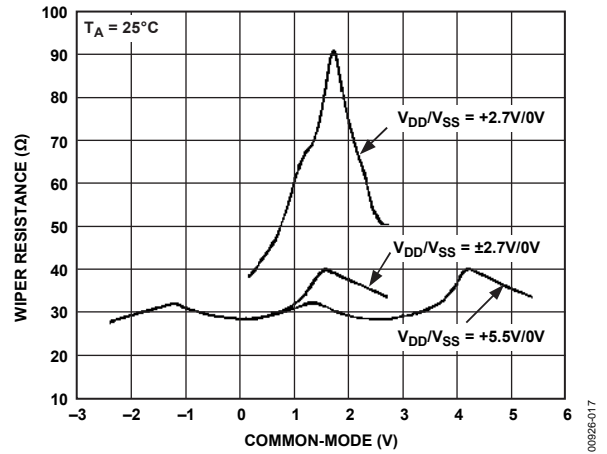


Figure 17. Incremental Wiper Contact vs. V_{DD}/V_{SS}



Figure 15. $\Delta V_{WB}/\Delta T$ Potentiometer Mode Temperature Coefficient

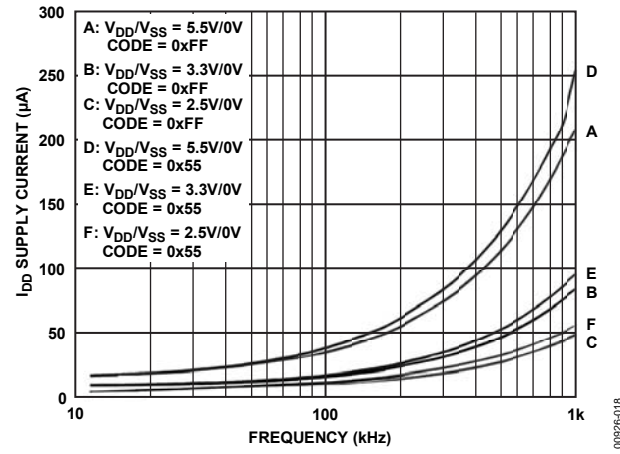


Figure 18. Supply Current vs. Frequency



Figure 16. $\Delta R_{WB}/\Delta T$ Rheostat Mode Temperature Coefficient

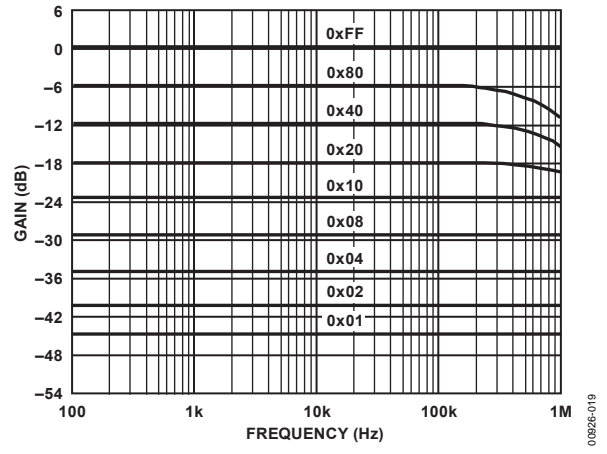


Figure 19. AD5242 10kΩ Gain vs. Frequency vs. Code



Figure 20. AD5242 100 kΩ Gain vs. Frequency vs. Code



Figure 21. AD5242 1 MΩ Gain vs. Frequency vs. Code

TEST CIRCUITS

Figure 22 to Figure 30 define the test conditions used in the product specifications table.



Figure 22. Potentiometer Divider Nonlinearity Error (INL, DNL)



Figure 23. Resistor Position Nonlinearity Error (Rheostat Operation; R-INL, R-DNL)



Figure 24. Wiper Resistance



Figure 25. Power Supply Sensitivity (PSS, PSRR)



Figure 26. Inverting Gain



Figure 27. Noninverting Gain



Figure 28. Gain vs. Frequency

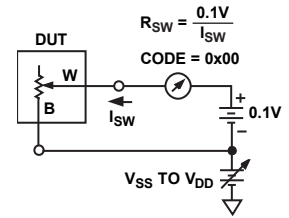


Figure 29. Incremental On Resistance



Figure 30. Common-Mode Leakage Current

THEORY OF OPERATION

The AD5241/AD5242 provide a single-/dual-channel, 256-position digitally controlled variable resistor (VR) device. The terms VR, RDAC, and programmable resistor are commonly used interchangeably to refer to digital potentiometer.

To program the VR settings, refer to the Digital Interface section. Both parts have an internal power-on preset that places the wiper in midscale during power-on that simplifies the fault condition recovery at power-up. In addition, the shutdown pin (SHDN) of AD5241/AD5242 places the RDAC in an almost zero power consumption state where Terminal A is open circuited and Wiper W is connected to Terminal B, resulting in only leakage current being consumed in the VR structure. During shutdown, the VR latch contents are maintained when the RDAC is inactive. When the part returns from shutdown, the stored VR setting is applied to the RDAC.



Figure 31. Equivalent RDAC Circuit

PROGRAMMING THE VARIABLE RESISTOR

Rheostat Operation

The nominal resistance of the RDAC between Terminal A and Terminal B is available in 10 k Ω , 100 k Ω , and 1 M Ω . The final two or three digits of the part number determine the nominal resistance value, for example, 10 k Ω = 10, 100 k Ω = 100, and 1 M Ω = 1 M. The nominal resistance (R_{AB}) of the VR has 256 contact points accessed by the wiper terminal, plus the B terminal contact. The 8-bit data in the RDAC latch is decoded to select one of the 256 possible settings. Assume a 10 k Ω part is used; the first connection of the wiper starts at the B terminal for Data 0x00. Because there is a 60 Ω wiper contact resistance, such connection yields a minimum of 60 Ω resistance between Terminal W and Terminal B. The second connection is the first tap point that corresponds to 99 Ω ($R_{WB} = R_{AB}/256 + R_W = 39 + 60$) for Data 0x01. The third connection is the next tap point representing 138 Ω ($39 \times 2 + 60$) for Data 0x02, and so on. Each LSB data value increase moves the wiper up the resistor ladder until the last tap point is reached at 10,021 Ω [$R_{AB} - 1 \text{ LSB} + R_W$].

Figure 31 shows a simplified diagram of the equivalent RDAC circuit where the last resistor string is not accessed; therefore, there is 1 LSB less of the nominal resistance at full scale in addition to the wiper resistance.

The general equation determining the digitally programmed resistance between W and B is

$$R_{WB}(D) = \frac{D}{256} \times R_{AB} + R_W \quad (1)$$

where:

D is the decimal equivalent of the binary code between 0 and 255, which is loaded in the 8-bit RDAC register.

R_{AB} is the nominal end-to-end resistance.

R_W is the wiper resistance contributed by the on resistance of the internal switch.

Again, if $R_{AB} = 10 \text{ k}\Omega$, Terminal A can be either open circuit or tied to W. Table 6 shows the R_{WB} resistance based on the code set in the RDAC latch.

Table 6. R_{WB} (D) at Selected Codes for $R_{AB} = 10 \text{ k}\Omega$

| D (DEC) | R_{WB} (Ω) | Output State |
|---------|-----------------------|---|
| 255 | 10021 | Full-scale ($R_{WB} - 1 \text{ LSB} + R_W$) |
| 128 | 5060 | Midscale |
| 1 | 99 | 1 LSB |
| 0 | 60 | Zero-scale (wiper contact resistance) |

Note that in the zero-scale condition, a finite wiper resistance of 60 Ω is present. Care should be taken to limit the current flow between W and B in this state to a maximum current of no more than 20 mA. Otherwise, degradation or possible destruction of the internal switch contact can occur.

Similar to the mechanical potentiometer, the resistance of the RDAC between Wiper W and Terminal A also produces a digitally controlled resistance, R_{WA} . When these terminals are used, Terminal B can be opened or tied to the wiper terminal. The minimum R_{WA} resistance is for Data 0xFF and increases as the data loaded in the latch decreases in value. The general equation for this operation is

$$R_{WA}(D) = \frac{256 - D}{256} \times R_{AB} + R_W \quad (2)$$

For $R_{AB} = 10 \text{ k}\Omega$, Terminal B can be either open circuit or tied to W. Table 7 shows the R_{WA} resistance based on the code set in the RDAC latch.

Table 7. R_{WA} (D) at Selected Codes for $R_{AB} = 10 \text{ k}\Omega$

| D (DEC) | R_{WA} (Ω) | Output State |
|---------|-----------------------|--------------|
| 255 | 99 | Full-scale |
| 128 | 5060 | Midscale |
| 1 | 10021 | 1 LSB |
| 0 | 10060 | Zero-scale |

The typical distribution of the nominal resistance R_{AB} from channel to channel matches within $\pm 1\%$ for AD5242. Device-to-device matching is process lot dependent, and it is possible to have $\pm 30\%$ variation. Because the resistance element is processed in thin film technology, the change in R_{AB} with temperature has no more than a 30 ppm/ $^{\circ}\text{C}$ temperature coefficient.

PROGRAMMING THE POTENTIOMETER DIVIDER

Voltage Output Operation

The digital potentiometer easily generates output voltages at wiper-to-B and wiper-to-A to be proportional to the input voltage at A-to-B. Unlike the polarity of V_{DD}/V_{SS} , which must be positive, voltage across terminal A to terminal B, terminal W to terminal A, and terminal W to terminal B can be at either polarity provided that V_{SS} is powered by a negative supply.

If ignoring the effect of the wiper resistance for approximation, connecting Terminal A to 5 V and Terminal B to ground produces an output voltage at the wiper-to-B starting at 0 V up to 1 LSB less than 5 V. Each LSB of voltage is equal to the voltage applied across Terminal AB divided by the 256 positions of the potentiometer divider. Because AD5241/AD5242 can be supplied by dual supplies, the general equation defining the output voltage at V_W with respect to ground for any valid input voltage applied to Terminal A and Terminal B is

$$V_W(D) = \frac{D}{256} V_A + \frac{256-D}{256} V_B \quad (3)$$

which can be simplified to

$$V_W(D) = \frac{D}{256} V_{AB} + V_B \quad (4)$$

where D is the decimal equivalent of the binary code between 0 to 255 that is loaded in the 8-bit RDAC register.

For a more accurate calculation, including the effects of wiper resistance, V_W can be found as

$$V_W(D) = \frac{R_{WB}(D)}{R_{AB}} V_A + \frac{R_{WA}(D)}{R_{AB}} V_B \quad (5)$$

where $R_{WB}(D)$ and $R_{WA}(D)$ can be obtained from Equation 1 and Equation 2.

Operation of the digital potentiometer in divider mode results in a more accurate operation over temperature. Unlike rheostat mode, the output voltage is dependent on the ratio of the internal resistors, R_{WA} and R_{WB} , and not the absolute values; therefore, the temperature drift reduces to 5 ppm/ $^{\circ}\text{C}$.

DIGITAL INTERFACE

2-Wire Serial Bus

The AD5241/AD5242 are controlled via an I²C-compatible serial bus. The RDACs are connected to this bus as slave devices.

Referring to Figure 3 and Figure 4, the first byte of AD5241/AD5242 is a slave address byte. It has a 7-bit slave address and an R/W bit. The five MSBs are 01011 and the following two bits are determined by the state of the AD0 and AD1 pins of the device. AD0 and AD1 allow users to use up to four of these devices on one bus.

The 2-wire, I²C serial bus protocol operates as follows:

1. The master initiates a data transfer by establishing a start condition, which is when a high-to-low transition on the SDA line occurs while SCL is high (see Figure 4). The following byte is the Frame 1, slave address byte, which consists of the 7-bit slave address followed by an R/W bit (this bit determines whether data is read from or written to the slave device).

The slave whose address corresponds to the transmitted address responds by pulling the SDA line low during the ninth clock pulse (this is the acknowledge bit). At this stage, all other devices on the bus remain idle while the selected device waits for data to be written to or read from its serial register. If the R/W bit is high, the master reads from the slave device. If the R/W bit is low, the master writes to the slave device.

2. A write operation contains an extra instruction byte more than the read operation. The Frame 2 instruction byte in write mode follows the slave address byte. The MSB of the instruction byte labeled $\overline{A/B}$ is the RDAC subaddress select. A low selects RDAC1 and a high selects RDAC2 for the dual-channel AD5242. Set $\overline{A/B}$ to low for the AD5241. The second MSB, RS, is the midscale reset. A logic high of this bit moves the wiper of a selected RDAC to the center tap where $R_{WA} = R_{WB}$. The third MSB, SD, is a shutdown bit. A logic high on SD causes the RDAC to open circuit at Terminal A while shorting the wiper to Terminal B. This operation yields almost a 0 Ω rheostat mode or 0 V in potentiometer mode. This SD bit serves the same function as the $\overline{\text{SHDN}}$ pin except that the $\overline{\text{SHDN}}$ pin reacts to active low. The following two bits are O₂ and O₁. They are extra programmable logic outputs that users can use to drive other digital loads, logic gates, LED drivers, analog switches, and the like. The three LSBs are don't care (see Figure 4).
3. After acknowledging the instruction byte, the last byte in write mode is the, Frame 3 data byte. Data is transmitted over the serial bus in sequences of nine clock pulses (eight data bits followed by an acknowledge bit). The transitions on the SDA line must occur during the low period of SCL and remain stable during the high period of SCL (see Figure 4).

4. Unlike the write mode, the data byte follows immediately after the acknowledgment of the slave address byte in Frame 2 read mode. Data is transmitted over the serial bus in sequences of nine clock pulses (slightly different from the write mode, there are eight data bits followed by a no acknowledge Logic 1 bit in read mode). Similarly, the transitions on the SDA line must occur during the low period of SCL and remain stable during the high period of SCL (see Figure 5).
5. When all data bits have been read or written, a stop condition is established by the master. A stop condition is defined as a low-to-high transition on the SDA line while SCL is high. In write mode, the master pulls the SDA line high during the tenth clock pulse to establish a stop condition (see Figure 4). In read mode, the master issues a no acknowledge for the ninth clock pulse (that is, the SDA line remains high). The master then brings the SDA line low before the tenth clock pulse, which goes high to establish a stop condition (see Figure 5).

A repeated write function gives the user flexibility to update the RDAC output a number of times after addressing and instructing the part only once. During the write cycle, each data byte updates the RDAC output. For example, after the RDAC has acknowledged its slave address and instruction bytes, the RDAC output is updated. If another byte is written to the RDAC while it is still addressed to a specific slave device with the same instruction, this byte updates the output of the selected slave device. If different instructions are needed, the write mode has to start a completely new sequence with a new slave address, instruction, and data bytes transferred again. Similarly, a repeated read function of the RDAC is also allowed.

READBACK RDAC VALUE

Specific to the AD5242 dual-channel device, the channel of interest is the one that was previously selected in the write mode. In addition, to read both RDAC values consecutively, users have to perform two write-read cycles. For example, users may first specify the RDAC1 subaddress in write mode (it is not necessary to issue the data byte and stop condition), and then change to read mode to read the RDAC1 value. To continue reading the RDAC2 value, users have to switch back to write mode, specify the subaddress, and then switch once again to read mode to read the RDAC2 value. It is not necessary to issue the write mode data byte or the first stop condition for this operation. Users should refer to Figure 4 and Figure 5 for the programming format.

MULTIPLE DEVICES ON ONE BUS

Figure 33 shows four AD5242 devices on the same serial bus. Each has a different slave address because the state of their AD0 and AD1 pins are different. This allows each RDAC within each device to be written to or read from independently. The master device output bus line drivers are open-drain pull-downs in a fully I²C-compatible interface. Note, a device is addressed properly only if the bit information of AD0 and AD1 in the slave address byte matches with the logic inputs at the AD0 and AD1 pins of that particular device.

LEVEL-SHIFT FOR BIDIRECTIONAL INTERFACE

While most old systems can operate at one voltage, a new component may be optimized at another. When they operate the same signal at two different voltages, a proper method of level-shifting is needed. For instance, a 3.3 V E²PROM can be used to interface with a 5 V digital potentiometer. A level-shift scheme is needed to enable a bidirectional communication so that the setting of the digital potentiometer can be stored to and retrieved from the E²PROM. Figure 32 shows one of the techniques. M1 and M2 can be N-channel FETs (2N7002) or low threshold FDV301N if V_{DD} falls below 2.5 V.



Figure 32. Level-Shift for Different Voltage Devices Operation



Figure 33. Multiple AD5242 Devices on One Bus

ADDITIONAL PROGRAMMABLE LOGIC OUTPUT

The AD5241/AD5242 feature additional programmable logic outputs, O_1 and O_2 , that can be used to drive digital load, analog switches, and logic gates. They can also be used as a self-contained shutdown preset to Logic 0 that is further explained in the Shutdown Function section. O_1 and O_2 default to Logic 0 during power-up. The logic states of O_1 and O_2 can be programmed in Frame 2 under the write mode (see Figure 4). Figure 34 shows the output stage of O_1 , which employs large P-channel and N-channel MOSFETs in push-pull configuration. As shown in Figure 34, the output is equal to V_{DD} or V_{SS} , and these logic outputs have adequate current driving capability to drive milliamperes of load.



Figure 34. Output Stage of Logic Output, O_1

Users can also activate O_1 and O_2 in the following three different ways without affecting the wiper settings:

1. Start, slave address byte, acknowledge, instruction byte with O_1 and O_2 specified, acknowledge, stop.
2. Complete the write cycle with stop, then start, slave address byte, acknowledge, instruction byte with O_1 and O_2 specified, acknowledge, stop.
3. Do not complete the write cycle by not issuing the stop, then start, slave address byte, acknowledge, instruction byte with O_1 and O_2 specified, acknowledge, stop.

All digital inputs are protected with a series input resistor and the parallel Zener ESD structures shown in Figure 36. This applies to the digital input pins, SDA, SCL, and $\overline{\text{SHDN}}$.

SHUTDOWN FUNCTION

Shutdown can be activated by strobing the $\overline{\text{SHDN}}$ pin or programming the SD bit in the write mode instruction byte (see Table 2). If the RDAC Register 1 or RDAC Register 2 (AD5242 only) is placed in shutdown mode by the software, SD bit, the part returns the wiper to its prior position when a new command is received.

In addition, shutdown can be implemented with the device digital output, as shown in Figure 35. In this configuration, the device is shutdown during power-up but users are allowed to program the device. Thus, when O_1 is programmed high, the device exits shutdown mode and responds to the new setting. This self-contained shutdown function allows absolute shutdown during power-up, which is crucial in hazardous environments, and it does not add extra components.



Figure 35. Shutdown by Internal Logic Output, O_1



Figure 36. ESD Protection of Digital Pins

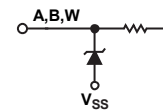


Figure 37. ESD Protection of Resistor Terminals

OUTLINE DIMENSIONS



COMPLIANT TO JEDEC STANDARDS MO-153-AB-1

Figure 38. 14-Lead Thin Shrink Small Outline Package [TSSOP] (RU-14)

Dimensions shown in millimeters

061908-A



COMPLIANT TO JEDEC STANDARDS MS-012-AB
 CONTROLLING DIMENSIONS ARE IN MILLIMETERS; INCH DIMENSIONS (IN PARENTHESES) ARE ROUNDED-OFF MILLIMETER EQUIVALENTS FOR REFERENCE ONLY AND ARE NOT APPROPRIATE FOR USE IN DESIGN.

Figure 39. 14-Lead Standard Small Outline Package [SOIC_N] Narrow Body (R-14)

Dimensions shown in millimeters and (inches)

060606-A



COMPLIANT TO JEDEC STANDARDS MO-153-AB

Figure 40. 16-Lead Thin Shrink Small Outline Package [TSSOP] (RU-16)

Dimensions shown in millimeters



COMPLIANT TO JEDEC STANDARDS MS-012-AC

CONTROLLING DIMENSIONS ARE IN MILLIMETERS; INCH DIMENSIONS (IN PARENTHESES) ARE ROUNDED-OFF MILLIMETER EQUIVALENTS FOR REFERENCE ONLY AND ARE NOT APPROPRIATE FOR USE IN DESIGN.

Figure 41. 16-Lead Standard Small Outline Package [SOIC_N] Narrow Body (R-16)

Dimensions shown in millimeters and (inches)

060606-A

ORDERING GUIDE

| Model ^{1, 2} | No. of Channels | End-to-End R _{AB} | Temperature Range | Package Description | Package Option |
|-----------------------|-----------------|----------------------------|-------------------|---------------------|----------------|
| AD5241BRZ10 | 1 | 10 kΩ | -40°C to +105°C | 14-Lead SOIC_N | R-14 |
| AD5241BRZ10-RL7 | 1 | 10 kΩ | -40°C to +105°C | 14-Lead SOIC_N | R-14 |
| AD5241BRUZ10 | 1 | 10 kΩ | -40°C to +105°C | 14-Lead TSSOP | RU-14 |
| AD5241BRUZ10-R7 | 1 | 10 kΩ | -40°C to +105°C | 14-Lead TSSOP | RU-14 |
| AD5241BRZ100 | 1 | 100 kΩ | -40°C to +105°C | 14-Lead SOIC_N | R-14 |
| AD5241BRUZ100 | 1 | 100 kΩ | -40°C to +105°C | 14-Lead TSSOP | RU-14 |
| AD5241BRUZ100-R7 | 1 | 100 kΩ | -40°C to +105°C | 14-Lead TSSOP | RU-14 |
| AD5241BRZ1M | 1 | 1 MΩ | -40°C to +105°C | 14-Lead SOIC_N | R-14 |
| AD5241BRZ1M-REEL | 1 | 1 MΩ | -40°C to +105°C | 14-Lead SOIC_N | R-14 |
| AD5241BRU1M-REEL7 | 1 | 1 MΩ | -40°C to +105°C | 14-Lead TSSOP | RU-14 |
| AD5242BR10-REEL7 | 2 | 10 kΩ | -40°C to +105°C | 16-Lead SOIC_N | R-16 |
| AD5242BRZ10 | 2 | 10 kΩ | -40°C to +105°C | 16-Lead SOIC_N | R-16 |
| AD5242BRZ10-REEL7 | 2 | 10 kΩ | -40°C to +105°C | 16-Lead SOIC_N | R-16 |
| AD5242BRUZ10 | 2 | 10 kΩ | -40°C to +105°C | 16-Lead TSSOP | RU-16 |
| AD5242BRUZ10-RL7 | 2 | 10 kΩ | -40°C to +105°C | 16-Lead TSSOP | RU-16 |
| AD5242BRZ100 | 2 | 100 kΩ | -40°C to +105°C | 16-Lead SOIC_N | R-16 |
| AD5242BRZ100-REEL7 | 2 | 100 kΩ | -40°C to +105°C | 16-Lead SOIC_N | R-16 |
| AD5242BRU100 | 2 | 100 kΩ | -40°C to +105°C | 16-Lead TSSOP | RU-16 |
| AD5242BRUZ100 | 2 | 100 kΩ | -40°C to +105°C | 16-Lead TSSOP | RU-16 |
| AD5242BRUZ100-RL7 | 2 | 100 kΩ | -40°C to +105°C | 16-Lead TSSOP | RU-16 |
| AD5242BRZ1M | 2 | 1 MΩ | -40°C to +105°C | 16-Lead SOIC_N | R-16 |
| AD5242BRUZ1M | 2 | 1 MΩ | -40°C to +105°C | 16-Lead TSSOP | RU-16 |
| AD5242BRUZ1M-REEL7 | 2 | 1 MΩ | -40°C to +105°C | 16-Lead TSSOP | RU-16 |
| EVAL-AD5242DBZ | 2 | Evaluation Board | | | |

¹ The AD5241/AD5242 die size is 69 mil × 78 mil, 5,382 sq. mil. Contains 386 transistors for each channel. Patent Number 5,495,245 applies.

² Z = RoHS Compliant Part.

¹²C refers to a communications protocol originally developed by Philips Semiconductors (now NXP Semiconductors).

Компания «Океан Электроники» предлагает заключение долгосрочных отношений при поставках импортных электронных компонентов на взаимовыгодных условиях!

Наши преимущества:

- Поставка оригинальных импортных электронных компонентов напрямую с производств Америки, Европы и Азии, а так же с крупнейших складов мира;
- Широкая линейка поставок активных и пассивных импортных электронных компонентов (более 30 млн. наименований);
- Поставка сложных, дефицитных, либо снятых с производства позиций;
- Оперативные сроки поставки под заказ (от 5 рабочих дней);
- Экспресс доставка в любую точку России;
- Помощь Конструкторского Отдела и консультации квалифицированных инженеров;
- Техническая поддержка проекта, помощь в подборе аналогов, поставка прототипов;
- Поставка электронных компонентов под контролем ВП;
- Система менеджмента качества сертифицирована по Международному стандарту ISO 9001;
- При необходимости вся продукция военного и аэрокосмического назначения проходит испытания и сертификацию в лаборатории (по согласованию с заказчиком);
- Поставка специализированных компонентов военного и аэрокосмического уровня качества (Xilinx, Altera, Analog Devices, Intersil, Interpoint, Microsemi, Actel, Aeroflex, Peregrine, VPT, Syfer, Eurofarad, Texas Instruments, MS Kennedy, Miteq, Cobham, E2V, MA-COM, Hittite, Mini-Circuits, General Dynamics и др.);

Компания «Океан Электроники» является официальным дистрибьютором и эксклюзивным представителем в России одного из крупнейших производителей разъемов военного и аэрокосмического назначения «JONHON», а так же официальным дистрибьютором и эксклюзивным представителем в России производителя высокотехнологичных и надежных решений для передачи СВЧ сигналов «FORSTAR».



JONHON

«JONHON» (основан в 1970 г.)

Разъемы специального, военного и аэрокосмического назначения:

(Применяются в военной, авиационной, аэрокосмической, морской, железнодорожной, горно- и нефтедобывающей отраслях промышленности)

«FORSTAR» (основан в 1998 г.)

ВЧ соединители, коаксиальные кабели, кабельные сборки и микроволновые компоненты:

(Применяются в телекоммуникациях гражданского и специального назначения, в средствах связи, РЛС, а так же военной, авиационной и аэрокосмической отраслях промышленности).



Телефон: 8 (812) 309-75-97 (многоканальный)

Факс: 8 (812) 320-03-32

Электронная почта: ocean@oceanchips.ru

Web: <http://oceanchips.ru/>

Адрес: 198099, г. Санкт-Петербург, ул. Калинина, д. 2, корп. 4, лит. А