



**W65C22S**  
**Versatile Interface Adapter (VIA)**  
**DATA SHEET**



WDC reserves the right to make changes at any time without notice in order to improve design and supply the best possible product. Information contained herein is provided gratuitously and without liability, to any user. Reasonable efforts have been made to verify the accuracy of the information but no guarantee whatsoever is given as to the accuracy or as to its applicability to particular uses. In every instance, it must be the responsibility of the user to determine the suitability of the products for each application. WDC products are not authorized for use as critical components in life support devices or systems. Nothing contained herein shall be construed as a recommendation to use any product in violation of existing patents or other rights of third parties. The sale of any WDC product is subject to all WDC Terms and Conditions of Sales and Sales Policies, copies of which are available upon request.

Copyright ©1981-2006 by The Western Design Center, Inc. All rights reserved, including the right of reproduction, in whole, or in part, in any form.



TABLE OF CONTENTS

**1. SECTION 1 W65C22S FUNCTION DESCRIPTION** ..... 8

1.1. Peripheral Data Ports .....8

1.2. Data Transfer - Handshake Control .....10

1.3. Read Handshake Control.....11

1.4. Write Handshake Control.....12

1.5. Timer 1 Operation .....14

1.6. Timer 1 One-Shot Mode .....17

1.7. Timer 1 Free-Run Mode.....18

1.8. Timer 2 Operation. ....19

1.9. Timer 2 One-Shot Mode .....19

1.10. Timer 2 Pulse Counting Mode. ....20

1.11. Shift Register Operation.....20

1.12. Shift Register Input Modes. ....21

    1.12.1 Shift Register Disabled (000)..... 21

    1.12.2 Shift In - Counter T2 Control (001) ..... 22

    1.12.3 Shift In - PHI2 Clock Control (010)..... 22

    1.12.2. Shift In - External CB1 Clock Control (011)..... 23

1.13. Shift Register Output Modes.....23

    1.13.1 Shift Out - Free Running at T2 Rate (100)..... 23

    1.13.2 Shift Out - T2 Control (101) ..... 24

    1.13.3 Shift Out - PHI2 Clock Control (110) ..... 24

    1.13.4 Shift Out - External CB1 Clock Control (111)..... 25

1.14. Interrupt Operation.....25

**2. SECTION 2 PIN FUNCTION DESCRIPTION** ..... 28

2.1 Peripheral Data Port A Control Lines. (CA1, CA2).....31

2.2 Peripheral Data Port B Control Lines. (CB1, CB2).....31

2.3 Chip Select (CS1, CS2B).....32

2.4 Data Bus. (D0-D7) .....32

2.5 Interrupt Request. (IRQB).....32

2.6 Peripheral Data Port A(PA0-PA7) .....32

2.7 Peripheral Data Port B (PB0-PB7).....33

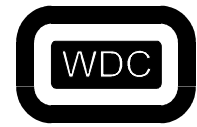
2.8 Phase 2 Internal Clock. (PHI2).....34

2.9 Reset (RESB) .....34

2.10 Register Select. (RS0-RS3) .....34

2.11 RWB (Read/Write) .....34

2.12 VDD and VSS. ....34



3. SECTION 3 TIMING, AC AND DC CHARACTERISTICS..... 35

    3.1 Absolute Maximum Ratings.....35

    3.2 DC Characteristics. TA=-40°C to +85°C .....36

    3.3 AC Characteristic TA=-40°C to +85°C .....37

4. SECTION 4 CAVEATS ..... 44

    4.1 Caveats .....44

5. SECTION 5 HARD CORE MODEL ..... 45

    Application Notes .....45

6. SECTION 6 ORDERING INFORMATION ..... 46



**Table of Figures**

FIGURE 1-1 READ HANDSHAKE OPERATION (PA ONLY)..... 11  
FIGURE 1-2 WRITE HANDSHAKE (PA AND PB)..... 12  
FIGURE 1-3 ONE-SHOT MODE (TIMER 1 AND TIMER 2)..... 17  
FIGURE 1-4 FREE-RUN MODE (TIMER 1)..... 18  
FIGURE 1-5 PULSE COUNTING MODE (TIMER 2)..... 20  
FIGURE 1-6 SHIFT IN - COUNTER T2 CONTROL..... 22  
FIGURE 1-7 SHIFT IN - PHI2 CLOCK CONTROL..... 22  
FIGURE 1-8 SHIFT IN - EXTERNAL CB1 CLOCK CONTROL TIMING..... 23  
FIGURE 1-9 SHIFT OUT - FREE RUNNING T2 RATE TIMING..... 23  
FIGURE 1-10 SHIFT OUT - T2 CONTROL TIMING..... 24  
FIGURE 1-11 SHIFT OUT - PHI2 CONTROL TIMING..... 24  
FIGURE 1-12 SHIFT OUT - EXTERNAL CB1 CLOCK CONTROL TIMING..... 25  
FIGURE 2-1 PIN PLCC PINOUT..... 28  
FIGURE 2-2 W65C22S 40 PIN PDIP PINOUT..... 29  
FIGURE 2-3 W65C22S 44 PIN QFP PINOUT..... 30  
FIGURE 2-4 PORT A BUFFER (PA0-PA7, CA2)..... 33  
FIGURE 2-5 PORT B BUFFER (PB0-PB7, CB1, AND CB2)..... 33  
FIGURE 3-1 IDD VS VDD..... 36  
FIGURE 3-2 READ TIMING..... 39  
FIGURE 3-3 WRITE TIMING..... 39  
FIGURE 3-4 READ HANDSHAKE, PULSE MODE (CA2)..... 40  
FIGURE 3-5 READ HANDSHAKE, HANDSHAKE MODE TIMING (CA2)..... 40  
FIGURE 3-6 WRITE HANDSHAKE, PULSE MODE TIMING (CA2, CB2)..... 41  
FIGURE 3-7 WRITE HANDSHAKE, HANDSHAKE MODE TIMING (CA2, CB2)..... 41  
FIGURE 3-8 PERIPHERAL DATA, INPUT LATCHING TIMING..... 42  
FIGURE 3-9 DATA SHIFT OUT, INTERNAL OR EXTERNAL SHIFT CLOCK TIMING..... 42  
FIGURE 3-10 DATA SHIFT IN, INTERNAL OR EXTERNAL SHIFT CLOCK TIMING..... 42  
FIGURE 3-11 PULSE COUNT INPUT TIMING..... 43  
FIGURE 3-12 TEST LOAD (ALL DYNAMIC PARAMETERS)..... 43  
FIGURE 4-1 IRQB DIFFERENCE..... 44  
FIGURE 4-2 HIGH RESISTANCE BUS HOLDING DEVICE..... 44



TABLE OF TABLES

|  |    |
|--|----|
| TABLE 1-1 W65C22S MEMORY MAP OF INTERNAL REGISTERS .....                     | 8  |
| TABLE 1-2 ORB, IRB OPERATION FOR REGISTER 0 (\$00).....                      | 9  |
| TABLE 1-3 ORA, IRA OPERATION FOR REGISTER 1 (\$01) .....                     | 10 |
| TABLE 1-4 DDRB, DDRA OPERATION (\$02,\$03).....                              | 10 |
| TABLE 1-5 CA1, CA2, CB1, CB2 CONTROL1 (\$0C).....                            | 12 |
| TABLE 1-6 T1 COUNTER FORMAT AND OPERATION1 (\$04,\$05) .....                 | 15 |
| TABLE 1-7 T1 LATCH FORMAT AND OPERATION1 (\$06,\$07).....                    | 15 |
| TABLE 1-8 AUXILIARY CONTROL REGISTER FORMAT AND OPERATION (\$0B).....        | 16 |
| TABLE 1-9 T2 COUNTER FORMAT AND OPERATION1 (\$08,\$09).....                  | 19 |
| TABLE 1-10 SHIFT REGISTER AND AUXILIARY CONTROL REGISTER CONTROL (\$0A)..... | 21 |
| TABLE 1-11 INTERRUPT FLAG REGISTER (\$0D) .....                              | 26 |
| TABLE 1-12 INTERRUPT ENABLE REGISTER (\$0E).....                             | 27 |
| TABLE 2-1 PIN FUNCTION TABLE .....   | 31 |
| TABLE 3-1 ABSOLUTE MAXIMUM RATINGS .....                                     | 35 |
| TABLE 3-2 DC CHARACTERISTICS .....   | 36 |
| TABLE 3-3 W65C22S AC CHARACTERISTICS .....                                   | 37 |
| TABLE 3-4 W65C22S AC.....  | 38 |

## INTRODUCTION

The W65C22S Versatile Interface Adapter (VIA) is a flexible I/O device for use with the W65C series microprocessor family. The W65C22S includes functions for programmed control of two peripheral ports (Ports A and B). Two program controlled 8-bit bi-directional peripheral I/O ports allow direct interfacing between the microprocessor and selected peripheral units. Each port has input data latching capability. Two programmable Data Direction Registers (A and B) allow selection of data direction (input or output) on an individual line basis. Also provided are two programmable 16-bit Interval Timer/Counters with latches. Timer 1 may be operated in a One-Shot Interrupt Mode with interrupts on each count-to-zero, or in a Free-Run Mode with a continuous series of evenly spaced interrupts. Timer 2 functions as both an interval and pulse counter. Serial Data transfers are provided by a serial-to-parallel/parallel-to-serial shift register. Application versatility is further increased by various control registers, including an Interrupt Flag Register, an Interrupt Enable Register and two Function Control Registers. The IRQB output is an open drain.

## KEY FEATURES OF THE W65C22S

- Advanced CMOS process technology for low power consumption
- Compatible with NMOS 6522 devices
- Low power consumption
- Two 8-bit, bi-directional peripheral I/O Ports
- Two 16-bit programmable Interval Timer/Counters
- Serial bi-directional peripheral I/O Port
- Enhanced "handshake" feature
- Latched Input/Output Registers on both I/O Ports
- Programmable Data Direction Registers
- TTL compatible I/O peripheral lines
- Single 1.8V to 5V power supply
- Bus compatible with high-speed W65C02S and W65C816S
- Register and Chip Selects specified for multiplexed operation

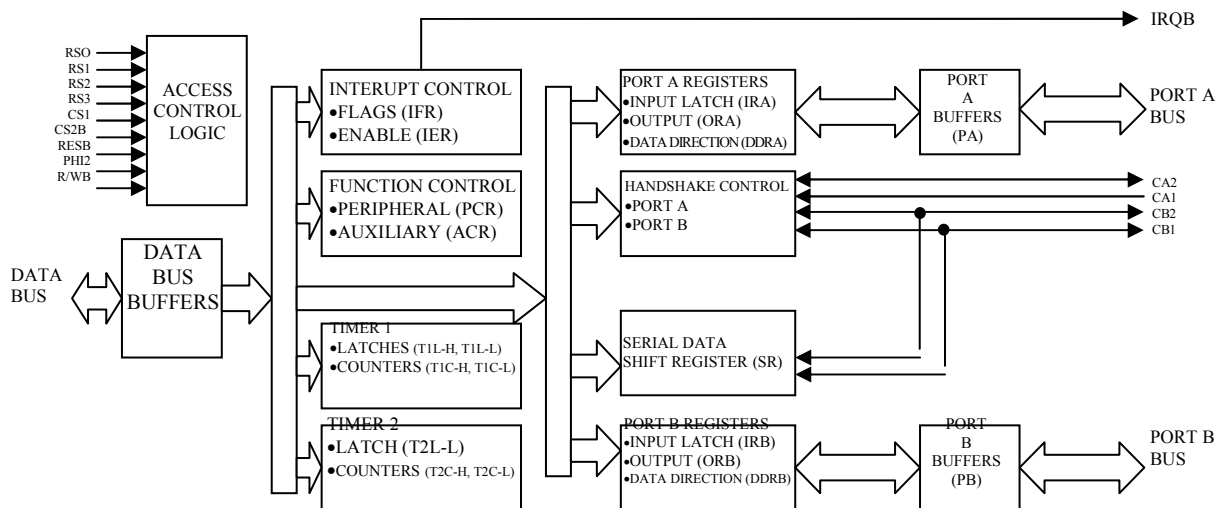


Figure 1 W65C22S Internal Architecture Block Diagram



**1. SECTION 1 W65C22S FUNCTION DESCRIPTION**

Table 1-1 W65C22S Memory Map of Internal Registers

| Register Number | RS Coding |     |     |     | Register Designation | Description                         |                      |
|-----------------|-----------|-----|-----|-----|----------------------|-------------------------------------|----------------------|
|                 | RS3       | RS2 | RS1 | RS0 |                      | Write                               | Read                 |
| 0               | 0         | 0   | 0   | 0   | ORB/IRB              | Output Register "B"                 | Input Register "B"   |
| 1               | 0         | 0   | 0   | 1   | ORA/IRA              | Output Register "A"                 | Input Register "A"   |
| 2               | 0         | 0   | 1   | 0   | DDRB                 | Data Direction Register "B"         |                      |
| 3               | 0         | 0   | 1   | 1   | DDRA                 | Data Direction Register "A"         |                      |
| 4               | 0         | 1   | 0   | 0   | T1C-L                | T1 Low-Order Latches                | T1 Low-Order Counter |
| 5               | 0         | 1   | 0   | 1   | T1C-H                | T1 High-Order Counter               |                      |
| 6               | 0         | 1   | 1   | 0   | T1L-L                | T1 Low-Order Latches                |                      |
| 7               | 0         | 1   | 1   | 1   | T1L-H                | T1 High-Order Latches               |                      |
| 8               | 1         | 0   | 0   | 0   | T2C-L                | T2 Low-Order Latches                | T2 Low-Order Counter |
| 9               | 1         | 0   | 0   | 1   | T2C-H                | T2 High-Order Counter               |                      |
| A               | 1         | 0   | 1   | 0   | SR                   | Shift Register                      |                      |
| B               | 1         | 0   | 1   | 1   | ACR                  | Auxiliary Control Register          |                      |
| C               | 1         | 1   | 0   | 0   | PCR                  | Peripheral Control Register         |                      |
| D               | 1         | 1   | 0   | 1   | IFR                  | Interrupt Flag Register             |                      |
| E               | 1         | 1   | 1   | 0   | IER                  | Interrupt Enable Register           |                      |
| F               | 1         | 1   | 1   | 1   | ORA/IRA              | Same as Reg 1 except no "Handshake" |                      |

**1.1. Peripheral Data Ports**

Both PA and PB operate in conjunction with a Data Direction Register (DDRA or DDRB). Under program control, the DDRA and DDRB specify which lines within the port bus are to be designated as inputs or outputs. A Logic 0 in any bit position of the register will cause the corresponding line to serve as an input, while a Logic 1 will cause the line to serve as an output.

When a line is programmed as an output, it is controlled by a corresponding bit in the Output Register (ORA & ORB). A Logic 1 in the ORA or ORB will cause the corresponding output line to go high, while a Logic 0 will cause the line to go low. Under program control, data is written into the ORA or ORB bit positions corresponding to the output lines which have been programmed as outputs. Should data be written into bit positions corresponding to lines which have been programmed as input, the output lines will be unaffected.



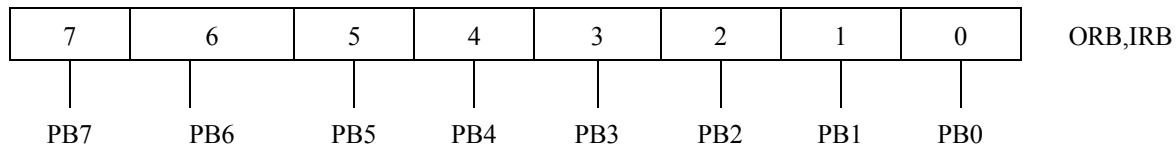


When reading PA or PB, the contents of the corresponding Input Register (IRA or IRB) is transferred onto the Data Bus. When the input latching feature is disabled, IRA will reflect the logic levels present on the PA bus lines. However, with input latching enabled and the selected active transition on Peripheral A Control 1 (CA1) having occurred, IRA will contain the data present on the PA bus lines at the time of the transition. In this case, once IRA has been read, it will appear transparent, reflecting the current state of the PA bus lines until the next CA1 latching transition.

With respect to IRB, it operates similar to IRA except that for those PB bus lines that have been programmed as outputs, there is a difference. When reading IRA, the logic level on the bus line determines whether a Logic 1 or 0 is sensed. However, when reading IRB, the logic level stored in ORB is the logic level sensed. For this reason, those outputs which have large loading effects may cause the reading of IRA to result in the reading of a Logic 0 when a 1 was actually programmed, and reading Logic 1 when a 0 was programmed. However, when reading IRB, the logic level read will be correct, regardless of loading on the particular bus line.

For information on formats and operation of the PA and PB registers, see Tables 1-2, 1-3 & 1-4. Note that the input latching modes are controlled by the Auxiliary Control Register (See Table 1-8).

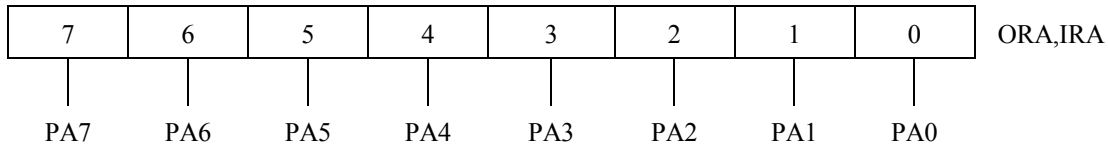
Table 1-2 ORB, IRB Operation for Register 0 (\$00)



| Pin Data Direction Selection                  | WRITE  | READ   |
|---|--|--|
| DDRB="1" (Output)                             | MPU writes Output Level (ORB)  | MPU reads output register bit in ORB. Pin level has no effect.                                     |
| DDRB="0" (Input)<br>(Input latching disabled) | MPU writes onto ORB, but no effect on pin level, until DDRB changed. | MPU reads input level on PB pin.   |
| DDRB="0" (Input)<br>(Input latching enabled)  |  | MPU reads IRB bit, which is the level of the PB pin at the time of the last CB1 active transition. |

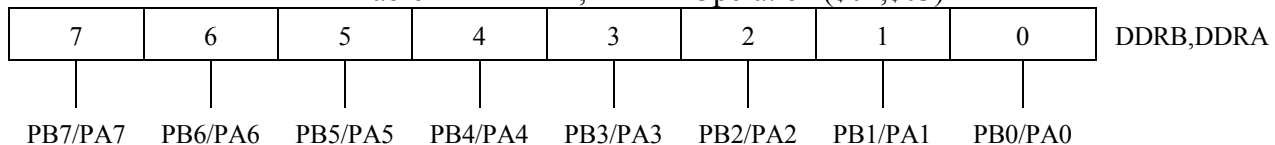


Table 1-3 ORA, IRA Operation for Register 1 (\$01)



| Pin Data Direction Selection                   | WRITE  | READ  |
|--|--|---|
| DDRA="1" (Output)<br>(Input latching disabled) | MPU writes Output Level<br>(ORA)                                     | MPU reads level on PA pin.  |
| DDRA="1" (Output)<br>(Input latching enabled)  |  | MPU reads IRA bit which is the level of the PA pin at the time of the last CA1 active transition. |
| DDRA="0" (Input)<br>(Input latching disabled)  | MPU writes into ORA, but no effect on pin level, until DDRA changed. | MPU read level on PA pin.   |
| DDRA="0" (Input)<br>(Input latching enabled)   |  | MPU reads IRA bit which is the level of the PA pin at the time of the last CA1 active transition. |

Table 1-4 DDRB, DDRA Operation (\$02,\$03)



"0" Associated PB/PA pin is an input (high impedance)

"1" Associated PB/PA pin is an output, whose level is determined by ORB/ORA Bit.

### 1.2. Data Transfer - Handshake Control

A powerful feature of the W65C22S is its ability to provide absolute control over data transfers between the microprocessor and peripheral devices. This control is accomplished by way of "handshake" lines. PA lines Peripheral A Control 1,2 (CA1, CA2) handshake data transfers on both Read and Write operations, while PB lines Peripheral B Control 1,2 (CB1, CB2) handshake data on Write operations only.

### 1.3. Read Handshake Control.

Read Handshaking provides effective control of data transfers from a peripheral device to the microprocessor. To accomplish the Read Handshake, the peripheral device generates a Data Ready signal to the W65C22S that indicates valid data is present on PA or PB. In most cases, this Data Ready signal will interrupt the microprocessor, which will then read the data and generate a Data Taken signal. Once the peripheral senses the Data Taken signal, new data will be placed on the bus. This process continues until the data transfer is complete.

Automatic Read Handshaking applies to PA only. The Data Ready signal is transmitted by the peripheral device over the CA1 interrupt line, while the Data Taken signal is generated and transmitted to the peripheral device over the CA2 line. When the Data Ready signal is received, it sets an internal flag in the Interrupt Flag Register (IFR). This flag may interrupt the microprocessor or it may be polled under program control. As an option, the Data Taken signal may be either a pulse or a level. In either case, it is set to a Logic 0 by the microprocessor and is set by the next Data Ready signal, see Figure 1-1.

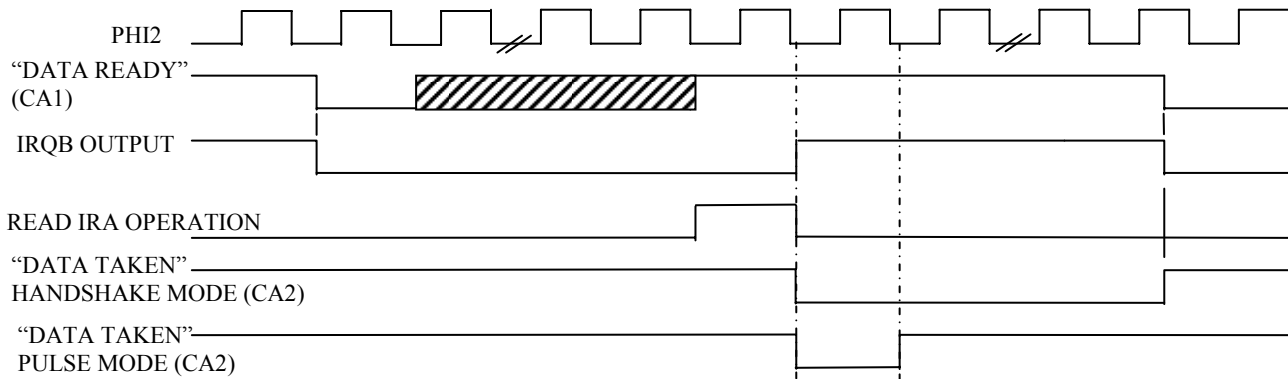


Figure 1-1 Read Handshake Operation (PA Only)

**1.4. Write Handshake Control.**

The Write Handshake operation is similar to Read Handshaking. For Write Handshaking, however, the W65C22S generates the Data Ready signal and the peripheral device must generate the Data Taken return signal. Note that Write Handshaking may occur on both PA and PB. For a Write Handshake, CA2 or CB2 serve as the Data Ready output and can operate in either the Handshake Mode or the Pulse Mode. The Data Taken signal is received the CA1 or CB1. The Data Taken signal sets a flag in the Interrupt Flag Register and clears the Data Ready output signal, see Figure 1-2.

Note that the selection of Read or Write Handshake operating modes for CA1, CA2, CB1 and CB2 is accomplished by the Peripheral Control Register (PCR). See Table 1-5.

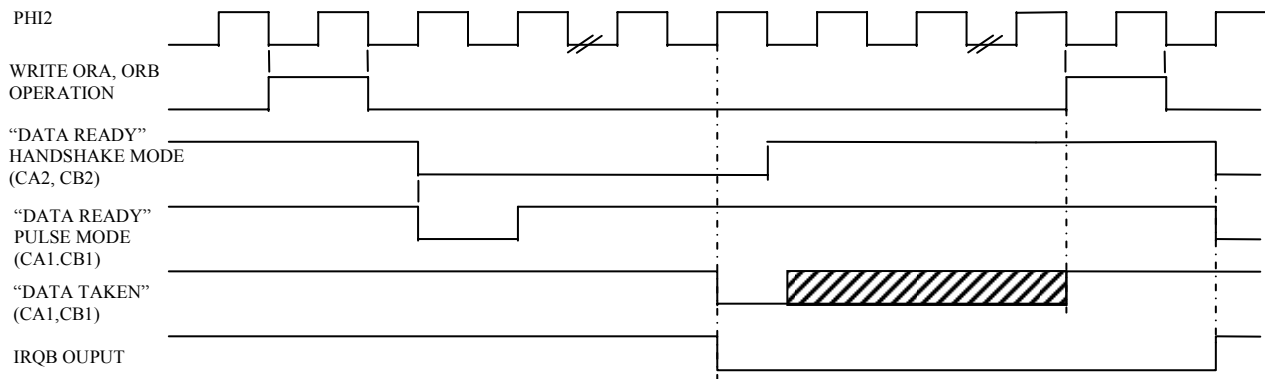


Figure 1-2 Write Handshake (PA and PB)

Table 1-5 CA1, CA2, CB1, CB2 Control1 (\$0C)

|             |   |   |             |             |   |   |             |     |
|-------------|---|---|-------------|-------------|---|---|-------------|-----|
| 7           | 6 | 5 | 4           | 3           | 2 | 1 | 0           | PCR |
| CB2 Control |   |   | CB1 Control | CA2 Control |   |   | CA1 Control |     |

CB2 Control

| 7 | 6 | 5 | Operation                                  |
|---|---|---|--|
| 0 | 0 | 0 | Input-negative active edge                 |
| 0 | 0 | 1 | Independent interrupt input-negative edge* |
| 0 | 1 | 0 | Input-positive active edge                 |
| 0 | 1 | 1 | Independent interrupt input-positive edge* |
| 1 | 0 | 0 | Handshake output                           |
| 1 | 0 | 1 | Pulse output                               |
| 1 | 1 | 0 | Low output                                 |
| 1 | 1 | 1 | High output                                |

CB1 Interrupt Control

|                          |
|--------------------------|
| 0 = Negative Active Edge |
| 1 = Positive Active Edge |

CA2 Control

| 3 | 2 | 1 | Operation                                  |
|---|---|---|--|
| 0 | 0 | 0 | Input-negative active edge                 |
| 0 | 0 | 1 | Independent interrupt input-negative edge* |
| 0 | 1 | 0 | Input-positive active edge                 |
| 0 | 1 | 1 | Independent interrupt input-positive edge* |
| 1 | 0 | 0 | Handshake output                           |
| 1 | 0 | 1 | Pulse output                               |
| 1 | 1 | 0 | Low output                                 |
| 1 | 1 | 1 | High output                                |

CA1 Interrupt Control

|                          |
|--------------------------|
| 0 = Negative Active Edge |
| 1 = Positive Active Edge |

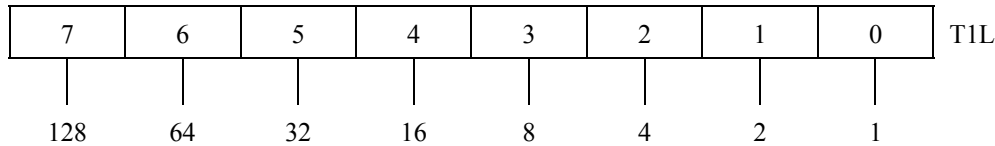


\* If the CA2/CB2 control in the PCR is selected as "independent" interrupt input, then reading or writing the output register ORA/ORB will not clear the flag bit. Instead, the bit must be cleared by writing into the IFR, as described previously.

## **1.5. Timer 1 Operation**

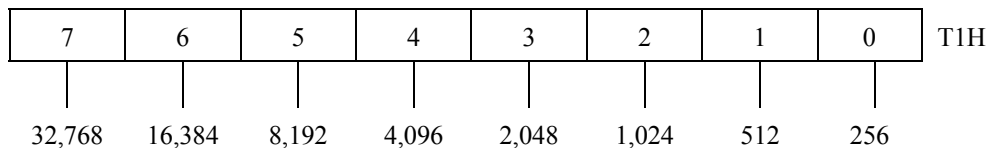
Interval Timer 1 (T1) consists of two 8-bit latches and a 16-bit counter. The latches serve to store data which is to be loaded into the counter. Once the counter is loaded under program control, it decrements at Phase 2 clock rate. Upon reaching zero, bit 6 of the Interrupt Flag Register (IFR) is set, causing Interrupt Request (IRQB) to go to a Logic 0 if the corresponding bit in the Interrupt Enable Register (IER) is set. Once the Timer reaches a count of zero, it will either disable any further interrupts (provided it has been programmed to do so), or it will automatically transfer the contents of the latches into the counter and proceed to decrement again. The counter may also be programmed to invert the output signal on PB7 each time it reaches a count of zero. Each of these counter modes is presented below. The T1 counter format and operation is shown in Table 1-6, with corresponding latch format and operation in Table 1-7. Additional control bits are provided in the Auxiliary Control Register (ACR) bits 6 and 7 to allow selection of T1 operating modes. The four available modes are shown in Table 1-8.

Table 1-6 T1 Counter Format and Operation1 (\$04,\$05)



WRITE - 8 bits loaded into T1 low-order latches. Latch contents are transferred into low-order counter at the time the high-order counter is loaded.

READ - 8 bits from T1 low-order counter transferred to MPU. T1 interrupt flag IFR6 is reset.



WRITE - 8 bits loaded into T1 high-order latches. Also, both high and low-order latches are transferred into T1 counter and this initiates countdown. T1 interrupt flag IFR6 is reset.

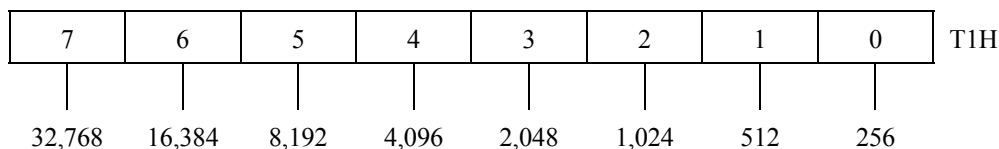
READ - 8 bits from T1 high-order counter transferred to MPU.

Table 1-7 T1 Latch Format and Operation1 (\$06,\$07)



WRITE - 8 bits loaded into T1 low-order latches. This operation is no different than a write into the T1 Low Order Register.

READ - 8 bits from T1 low-order latches transferred to MPU. Unlike reading the T1 Low Order Register, this does not cause reset of T1 interrupt flag IFR6.



WRITE - 8 bits loaded into T1 high-order latches. Unlike writing to the T1 Low Order Register, no latch-to-counter transfers take place. T1 interrupt flag IFR6 is reset.

READ - 8 bits from T1 high-order counter transferred to MPU.



Table 1-8 Auxiliary Control Register Format and Operation (\$0B)

|                  |   |                  |                        |   |   |    |    |     |
|------------------|---|------------------|------------------------|---|---|----|----|-----|
| 7                | 6 | 5                | 4                      | 3 | 2 | 1  | 0  | ACR |
| T1 Timer Control |   | T2 Timer Control | Shift Register Control |   |   | PB | PA |     |

T1 Timer Control

| 7 | 6 | Operation                              | PB7                |
|---|---|--|--------------------|
| 0 | 0 | Timed interrupt each time T1 is loaded | Disabled           |
| 0 | 1 | Continuous interrupts                  |                    |
| 1 | 0 | Timed interrupt each time T1 is loaded | One shot output    |
| 1 | 1 | Continuous interrupts                  | Square wave output |

T2 Timer Control

| 5 | Operation                     |
|---|-------------------------------|
| 0 | Timed interrupt               |
| 1 | Count down with pulses on PB6 |

Shift Register Control

| 4 | 3 | 2 | Operation                                 |
|---|---|---|---|
| 0 | 0 | 0 | Disabled                                  |
| 0 | 0 | 1 | Shift in under control of T2              |
| 0 | 1 | 0 | Shift in under control of PHI2            |
| 0 | 1 | 1 | Shift in under control of external clock  |
| 1 | 0 | 0 | Shift out free-running at T2 rate         |
| 1 | 0 | 1 | Shift out under control of T2             |
| 1 | 1 | 0 | Shift out under control of PHI2           |
| 1 | 1 | 1 | Shift out under control of external clock |

Latch Enable/Disable

| 1 | 0 | Operation       |
|---|---|-----------------|
| 0 | 0 | Disable         |
| 1 | 1 | Enable latching |



It should be noted that the microprocessor does not write directly into the T1 low-order counter. Instead, this half of the counter is loaded automatically from the low-order register when the microprocessor writes into the high-order register and counter. In fact, it may not be necessary to write to the low-order register in some applications since the timing operation is triggered by writing to the high-order register and counter.

### 1.6. Timer 1 One-Shot Mode

Interval Timer T1 may operate in the One-Shot Mode that allows the generation of a single Interrupt Flag each time the Timer is loaded. The Timer can also be programmed to produce a single negative pulse on Data Port line PB7.

To generate a single interrupt, it is required that bits 6 and 7 of the ACR be a Logic 0. The low-order T1 counter or the low-order T1 latch must then be loaded with the low-order count value. Note that a load to a low-order T1 counter is effectively a load to a low-order T1 latch. Next, the high-order count value must be loaded into the high-order T1 counter, at which time the value is simultaneously loaded into the high-order T1 latch. During this load sequence, the contents of low-order T1 latch is transferred to low-order T1 counter. The counter will start counting down on the next PHI2 clock following the load sequence into high-order T1 counter, and will decrement at the PHI2 clock rate. Once the T1 counter reaches a zero count, the Interrupt Flag is set. To generate a negative pulse on PB7, the sequence is identical to the above except ACR7 must be a Logic 1. PB7 will then go to a Logic 0 following the load to high-order T1 counter, and will go to a Logic 1 again when the counter reaches a zero count. Once set, IFR6 the T1 Interrupt Flag is reset by either writing high-order T1 latch, or by reading low-order T1 counter, see Figure 1-3.

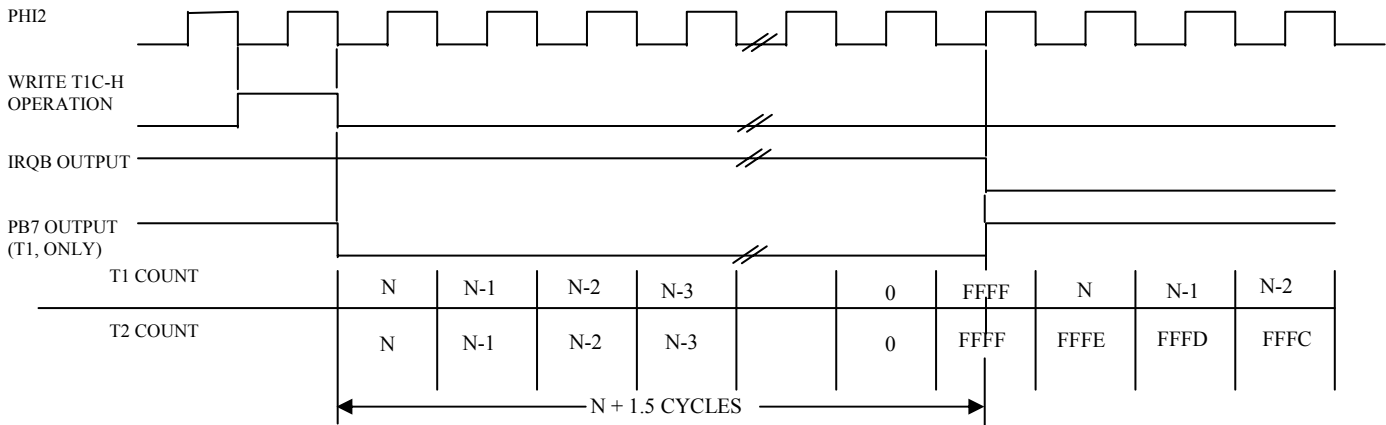


Figure 1-3 One-Shot Mode (Timer 1 and Timer 2)

### 1.7. Timer 1 Free-Run Mode

An important advantage within the W65C22S is the ability of the latches associated with the T1 counter to provide a continuous series of evenly spaced interrupts or a square wave on PB7. It should also be noted that the continuous series of interrupts and square waves are not affected by variations in the microprocessor interrupt response time. These advantages are all produced in the Free-Run Mode. When operating in the Free-Run Mode, the Interrupt Flag is set and the signal on PB7 is inverted each time the counter reaches a count of zero. In the Free-Run Mode, however, the counter does not continue to decrement after reaching a zero count. Instead, the counter automatically transfers to contents of the latch into the counter (16 bits) and then decrements from the new count value. As can be seen, it is not necessary to reload the timer in order to set the Interrupt Flag on the next count of zero. When set, the Interrupt Flag can be cleared by either reading low-order T1 counter or by writing directly into the IFR as will be discussed later, or by writing into high-order T1 latch.

Since the interval timers are all re-triggerable, reloading the counter will always reinitialize the time-out period. Should the microprocessor continue to reload the counter before it reaches zero, counter time-out can be prevented. Timer 1 is able to operate in this manner provided the microprocessor writes into the high-order counter. By loading the latches only, the microprocessor can access the timer during each countdown operation without affecting the time-out in progress. In this way, data loaded into the latches will determine the length of the next subsequent time-out period. This capability is of value in the Free-Run Mode with the output enabled. In the Free-Run Mode, the signal on PB7 is inverted and IFR6 is set with each counter time-out. When the microprocessor responds to the interrupts with new data for the latches, it can determine the period of the next half-cycle during each half-cycle of the output signal on PB7. In this way, complex waveforms can be generated. See Figure 1-4.

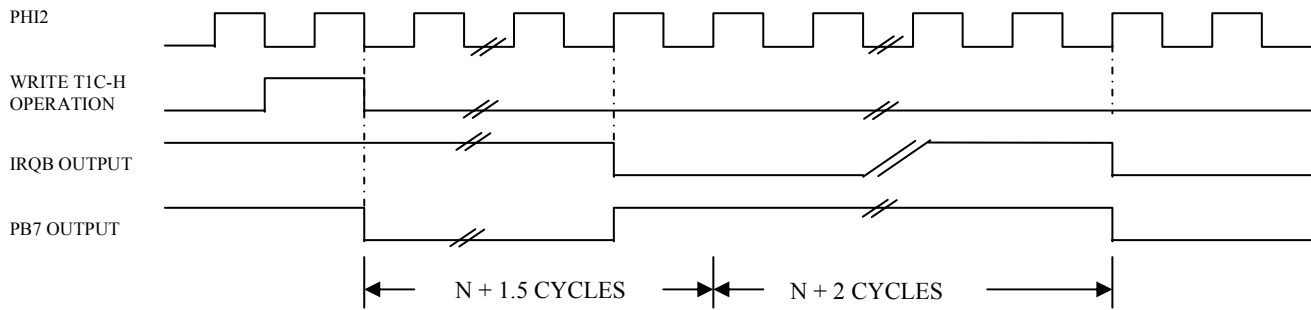


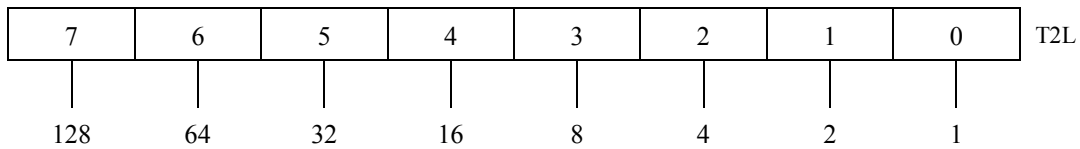
Figure 1-4 Free-Run Mode (Timer 1)



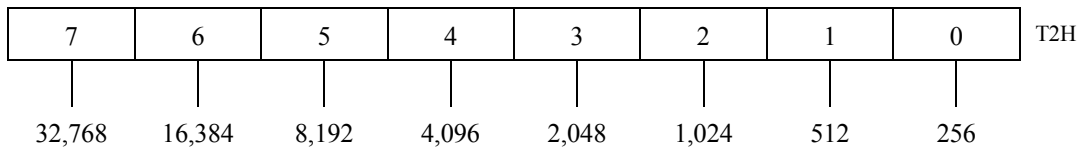
1.8. Timer 2 Operation.

Timer 2 (T2) operates in the One-Shot Mode only (as an interval timer), or as a pulse counter for counting negative pulses on PB6. A single control bit within ACR5 is used to select between these two modes. T2 is made up of a write-only low-order T2 latch, a read-only low-order T2 counter, and a read/write high-order T2 counter. This 16-bit counter decrements at a PHI2 clock rate. See Table 1-9.

Table 1-9 T2 Counter Format and Operation1 (\$08,\$09)



WRITE - 8 bits loaded into T2 low-order latches.  
READ - 8 bits from T2 low-order counter transferred to MPU. IFR5 is reset.



WRITE - 8 bits loaded into T2 high-order counter. Also, low-order latches are transferred to low order counter. IFR5 is reset.  
READ - 8 bits from T2 high-order counter transferred to MPU.

1.9. Timer 2 One-Shot Mode

Operation of Timer 2 in the One-Shot Mode is similar to Timer 1. That is, for each load high-order T2 counter operation, Timer 2 sets IFR5 for each countdown to zero. However, after a time-out, the T2 counters roll over to all 1's (\$FFF) and continues to decrement. This two's complement decrement allows the user to determine how long IFR5 has been set. Since the Interrupt Flag logic is disabled after the initial interrupt set (zero count), further interrupts cannot be set by a subsequent count to zero. To enable the Interrupt Flag logic, the microprocessor must reload high-order T2 counter. The Interrupt Flag is cleared by either reading low-order T2 counter or by loading high-order T2 counter. See Figure 1-3.

**1.10. Timer 2 Pulse Counting Mode.**

In the Pulse Counting Mode, Timer 2 counts a predetermined number of negative-going pulses on PB6. To accomplish this, a count number is loaded into high-order T2 counter, which clears IFR5 logic and starts the counter to decrement each time a negative pulse is applied to PB6. When the T2 counter reaches a count of zero, IFR5 is set and the counter continues to decrement with each pulse on PB6. To enable IFR5 for subsequent countdowns, it is necessary to reload high-order T2 counter. The decrement pulse on line PB6 must be a Logic 0 during the leading edge of the PHI2 clock. See Figure 1-5.

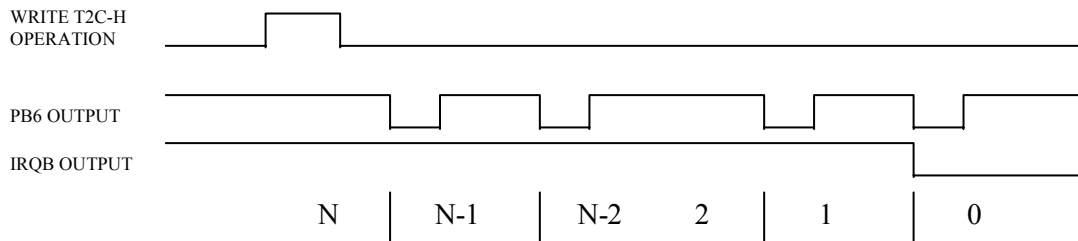
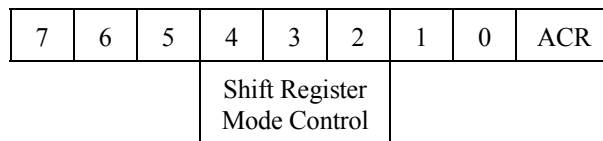
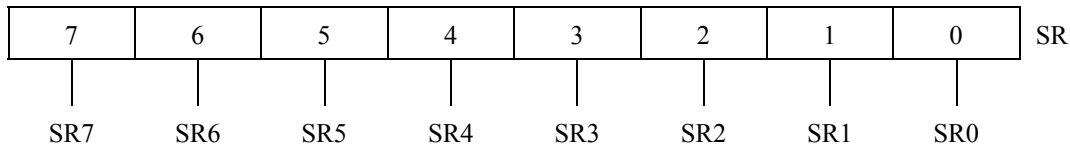


Figure1-5 Pulse Counting Mode (Timer 2)

**1.11. Shift Register Operation**

The Shift Register (SR) performs bi-directional serial data transfers on line CB2. These transfers are controlled by an internal modulo-8 counter. Shift pulses can be applied to the CB1 line from an external source, or (with proper mode selection) shift pulses may be generated internally which will appear on the CB1 line for controlling external devices. Each SR operating mode is controlled by control bits within the ACR. See Table 1-10 for control bit information. See also Figures 1-6 through 1-12.

Table 1-10 Shift Register and Auxiliary Control Register Control (\$0A)



Shift Register Control

| 4 | 3 | 2 | Operation                                       |
|---|---|---|---|
| 0 | 0 | 0 | Disabled  |
| 0 | 0 | 1 | Shift in under control of T2                    |
| 0 | 1 | 0 | Shift in under control of PHI2                  |
| 0 | 1 | 1 | Shift in under control of external clock (CB1)  |
| 1 | 0 | 0 | Shift out free-running at T2 rate               |
| 1 | 0 | 1 | Shift out under control of T2                   |
| 1 | 1 | 0 | Shift out under control of PHI2                 |
| 1 | 1 | 1 | Shift out under control of external clock (CB1) |

- Notes:
1. When shifting out, bit 7 is the first bit out and simultaneously is rotated back into bit 0.
  2. When shifting in, bits initially enter bit 0 and are shifted towards bit 7.

**1.12. Shift Register Input Modes.**

**1.12.1 Shift Register Disabled (000)**

In the 000 mode, the SR is disabled from all operation. The microprocessor can read or write the SR, but shifting is disabled and both CB1 and CB2 are controlled by bits in the PCR. The Shift Register Interrupt Flag (IFR2) is held low (disabled).

1.12.2 Shift In - Counter T2 Control (001)

In this mode, the shifting rate is controlled by the low order eight bits of counter T2. Shift pulses are generated on the CB1 line to control shifting in external devices. The time between transitions of the CB1 output clock is determined by the PHI2 clock period and the contents of the low-order T2 latch (N). Shifting occurs by writing or reading the SR. Data is shifted into the low-order bit first, and is then shifted into the next higher order bit on the negative-going edge of each clock pulse. Input data should change before the positive-going edge of the CB1 clock pulse. This data is then shifted into the SR during the PHI2 clock cycle following the positive-going edge of the CB1 clock pulse. After eight CB1 clock pulses, IFR2 will set and IRQB will go to a Logic 0. See Figure 1-6.

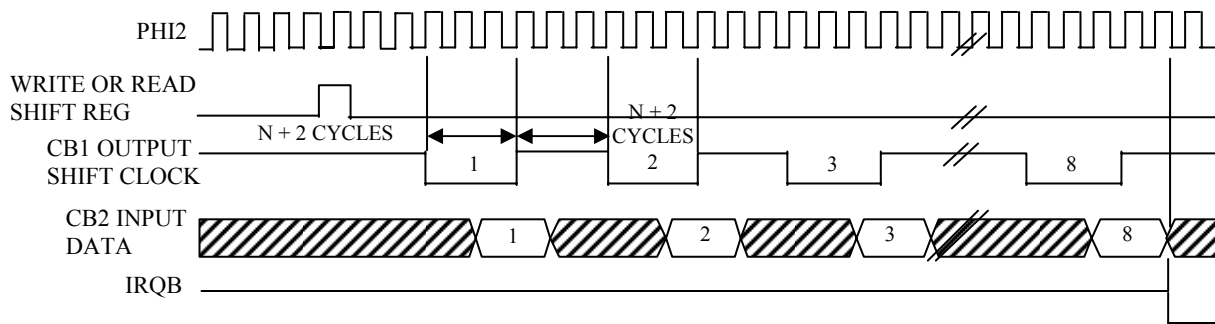


Figure 1-6 Shift In - Counter T2 Control

1.12.3 Shift In - PHI2 Clock Control (010)

In this mode, the shift rate is controlled by the PHI2 clock frequency. Shift pulses are generated on the CB1 line to control shifting in external devices. Timer 2 operates as an independent interval time and has no influence on the SR. Shifting occurs by reading or writing the SR. Data is shifted into the low order bit first, and is then shifted into the next higher order bit on the trailing edge of the PHI2 clock pulse. After eight clock pulses, IFR2 will be set, and output clock pulses on the CB1 line will stop. See Figure 1-7.

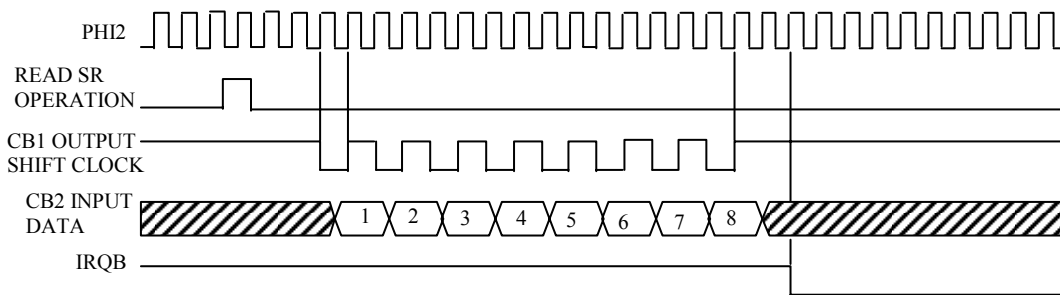


Figure-1-7 Shift In - PHI2 Clock Control

11.12.2. Shift In - External CB1 Clock Control (011)

In this mode, CB1 serves as an input to the SR. In this way, an external device can load the SR at its own pace. The SR counter will interrupt the microprocessor after each eight bits have been shifted in. The SR counter does not stop the shifting operation. Its function is simply that of a pulse counter. Reading or writing the SR resets IFR2 and initializes the counter to count another eight pulses. Note that data is shifted during the first PHI2 clock cycle following the positive-going edge of the CB1 shift pulse. For this reason, data must be held stable during the first full cycle following CB1 going high. See Figure 1-8.

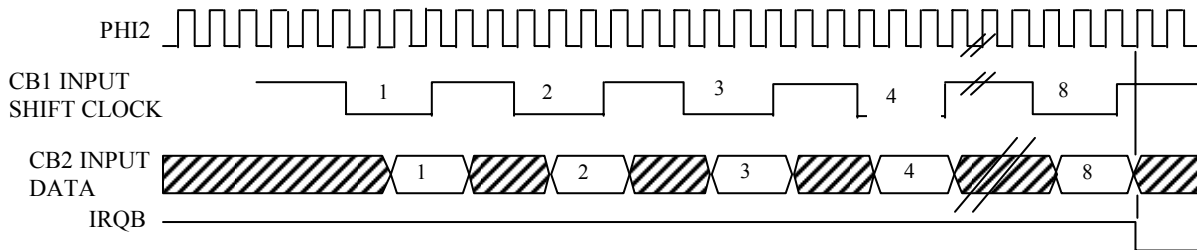


Figure 1-8 Shift In - External CB1 Clock Control Timing

**1.13. Shift Register Output Modes.**

1.13.1 Shift Out - Free Running at T2 Rate (100)

This mode is similar to mode 101 in which the shifting rate is determined by T2. However, in mode 100 the SR Counter does not stop the shifting operation. Since SR7 is re-circulated back into SR0, the eight bits loaded into the SR will be clocked onto the CB2 line repetitively. In this mode, the SR Counter is disabled and IRQB is never set. See Figure 1-9.

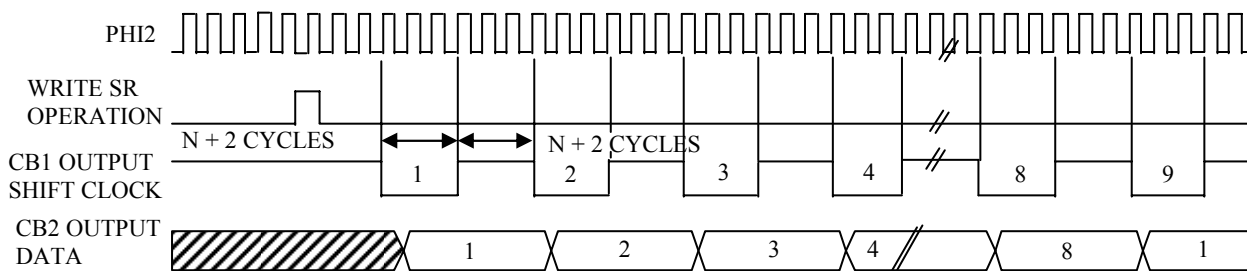


Figure 1-9 Shift Out - Free Running T2 Rate Timing

1.13.2 Shift Out - T2 Control (101)

In this mode, the shift rate is controlled by T2 (as in mode 100). However, with each read or write of the SR Counter is reset and eight bits are shifted onto the CB2 line. At the same time, eight shift pulses are placed on the CB1 line to control shifting in external devices. After the eight shift pulses, the shifting is disabled, IFR2 is set, and CB2 will remain at the last data level. See Figure 1-10.

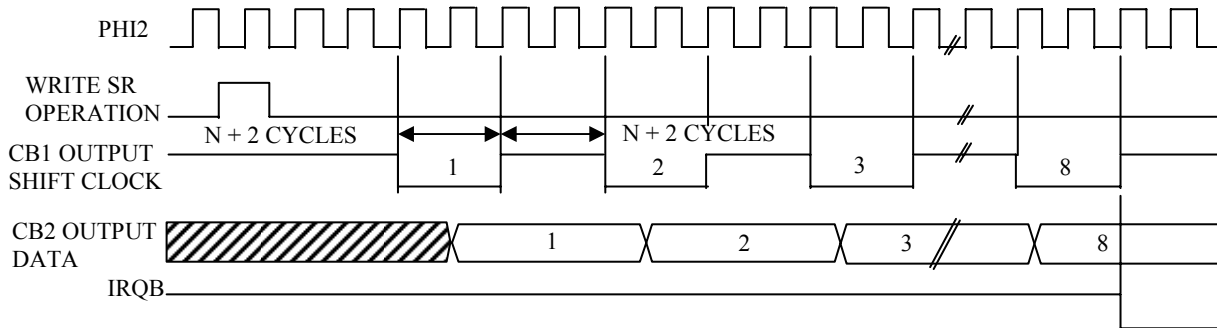


Figure 1-10 Shift Out - T2 Control Timing

1.13.3 Shift Out - PHI2 Clock Control (110)

In this mode, the shift rate is controlled by the system PHI2 clock. See Figure 1-11.

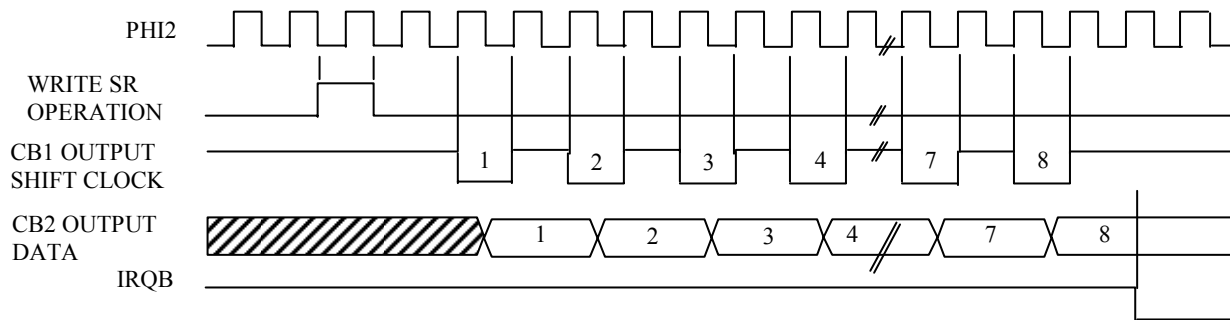


Figure 1-11 Shift Out - PHI2 Control Timing



1.13.4 Shift Out - External CB1 Clock Control (111)

In the mode, shifting is controlled by external pulses applied to the CB1 line. The SR Counter sets IFR2 for each eight-pulse count, but does not disable the shifting function. Each time the microprocessor reads or writes the SR, IFR2 is reset and the counter is initialized to begin counting the next eight pulses on the CB1 line. After eight shift pulses, IFR2 is set. The microprocessor can then load the SR with the next eight bits of data. See Figure 1-12.

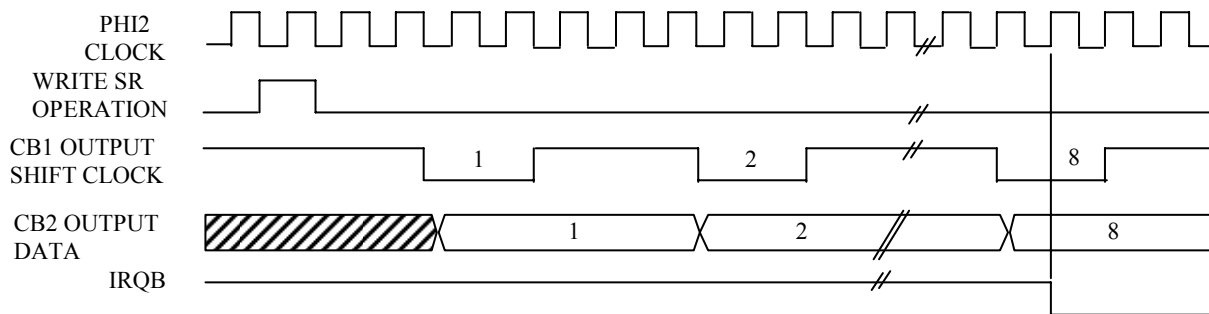


Figure 1-12 Shift Out - External CB1 Clock Control Timing

**1.14. Interrupt Operation**

There are three basic interrupt operations, including: setting the interrupt flag within IFR, enabling the interrupt by way of a corresponding bit in the IER, and signaling the microprocessor using IRQB. An Interrupt Flag can be set by conditions internal to the chip or by inputs to the chip from external sources. Normally, an Interrupt Flag will remain set until the interrupt is serviced. To determine the source of an interrupt, the microprocessor must examine each flag in order, from highest to lowest priority. This is accomplished by reading the contents of the IFR into the microprocessor accumulator, shifting the contents either left or right and then using conditional branch instructions to detect an active interrupt. Each Interrupt Flag has a corresponding Interrupt Enable bit in the IER. The enable bits are controlled by the microprocessor (set or reset). If an Interrupt Flag is a Logic 1, and the corresponding Interrupt Enable bit is a Logic 1, the IRQB will go to a Logic 0. IRQB is a full output driver that allows both Logic 1 and Logic 0 levels. The older NMOS and CMOS IRQB output was open drain pull down only. The IRQB output cannot be wired-ORed with other devices.

All Interrupt Flags are contained within a single IFR. Bit 7 of this register will be Logic 1 whenever an Interrupt Flag is set, thus allowing convenient polling of several devices within a system to determine the source of the interrupt.



The IFR and IER format and operation is shown in Tables 1-11 and 1-12. The IFR may be read directly by the microprocessor, and individual flag bits may be cleared by writing a Logic 1 into the appropriate bit of the IFR. Bit 7 of the IFR indicates the status of the IRQB output. Bit 7 corresponds to the following logic function:

IRQ = IFR6 ^ IER6 v IFR5 ^ IER5 v IFR4 ^ IER4 v IFR3 ^ IER3 v IFR2 ^ IER2 v IFR1 ^ IER1 v IFR0 ^ IER0.

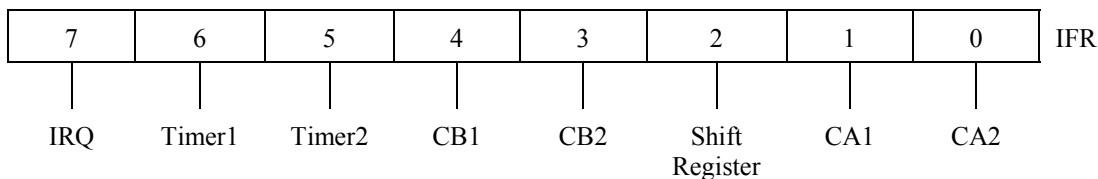
Note: ^ = Logical AND, v = Logical OR.

IFR7 is not a flag. Therefore, IFR7 is not directly cleared by writing a Logic 1 into its bit position. It can be cleared, however, by clearing all the flags within the register, or by disabling all active interrupts as presented in the next section.

Each Interrupt Flag within the IFR has a corresponding enable bit in IER. The microprocessor can set or clear selected bits within the IER. This allows the control of individual interrupts without affecting others. To set or clear a particular Interrupt Enable bit, the microprocessor must write to the IER address. During this write operation, if IER7 is a Logic 0, each Logic 1 in IER6 thru IER0 will clear the corresponding bit in the IER. For each Logic 0 in IER6 thru IER0, the corresponding bit in the IER will be unaffected.

Setting selected bits in the IER is accomplished by writing to the same address with IER7 set to a Logic 1. In this case, each Logic 1 in IER6 through IER0 will set the corresponding bit to a Logic 1. For each Logic 0 the corresponding bit will be unaffected. This method of controlling the bits in the IER allows convenient user control of interrupts during system operation. The microprocessor can also read the contents of the IER by placing the proper address on the Register Select and Chip Select inputs with the RWB line high. IER7 will be read as a Logic 1.

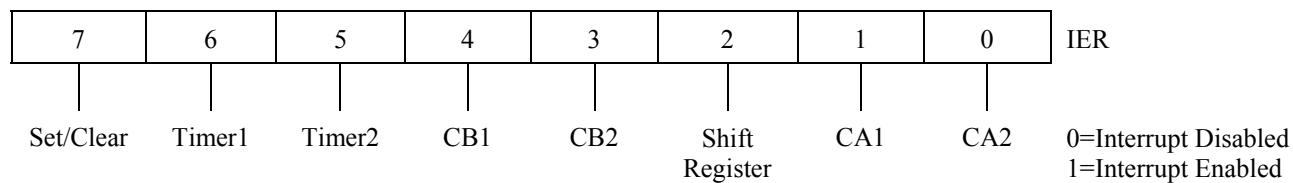
Table 1-11 Interrupt Flag Register (\$0D)



| SET BY                | CLEARED BY                         |
|-----------------------|------------------------------------|
| CA2 active edge       | Read or write (ORA*)               |
| CA1 active edge       | Read or write (ORA*)               |
| Complete 8 shifts     | Read or write Shift Reg.           |
| CB2 active edge       | Read or write ORB*                 |
| CB1 active edge       | Read or write ORB                  |
| Time-out of T2        | Read T2 low or write T2 high       |
| Time-out of T1        | Read T1C-L low or write T1L-H high |
| Any enabled interrupt | Clear all interrupts               |

\* If the CA2/CB2 control in the PCR is selected as "independent" interrupt input, then reading or writing the output register ORA/ORB will not clear the flag bit. Instead, the bit must be cleared by writing into the IFR, as described previously.

Table 1-12 Interrupt Enable Register (\$0E)



Notes:

1. If bit 7 is a "0", then each Logic 1 in bits 0-6 disables the corresponding interrupt.
2. If bit 7 is a "1", then each Logic 1 in bits 0-6 enables the corresponding interrupt.
3. If a read of this register is done, bit 7 will be Logic 1 and all other bits will reflect their enable/disable state.

**2. SECTION 2 PIN FUNCTION DESCRIPTION**

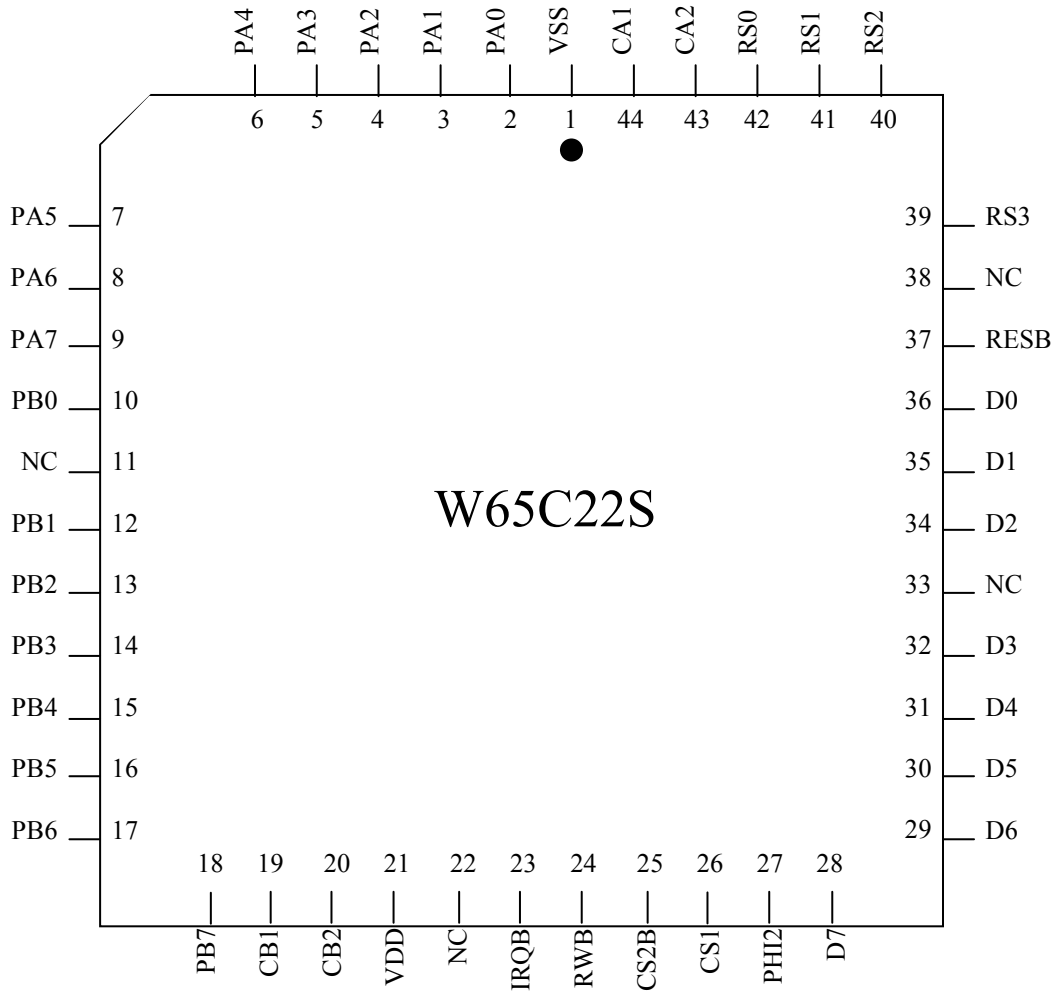


Figure 2-1 Pin PLCC Pinout

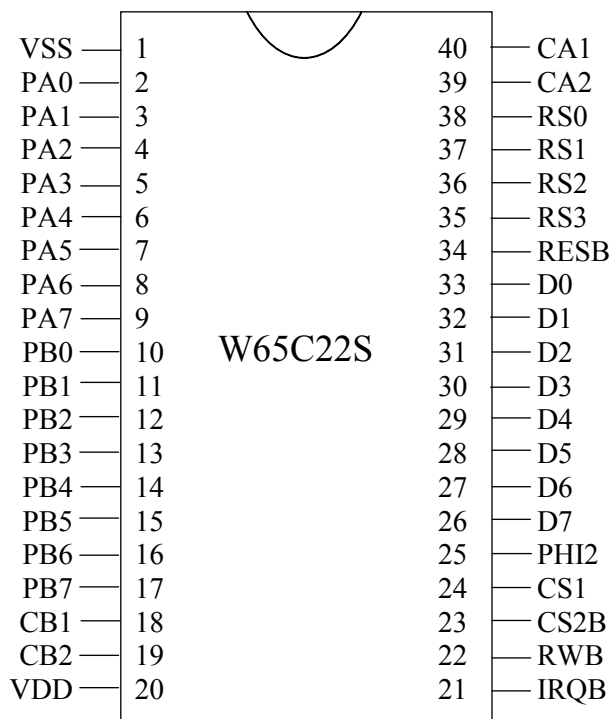


Figure 2-2 W65C22S 40 Pin PDIP Pinout

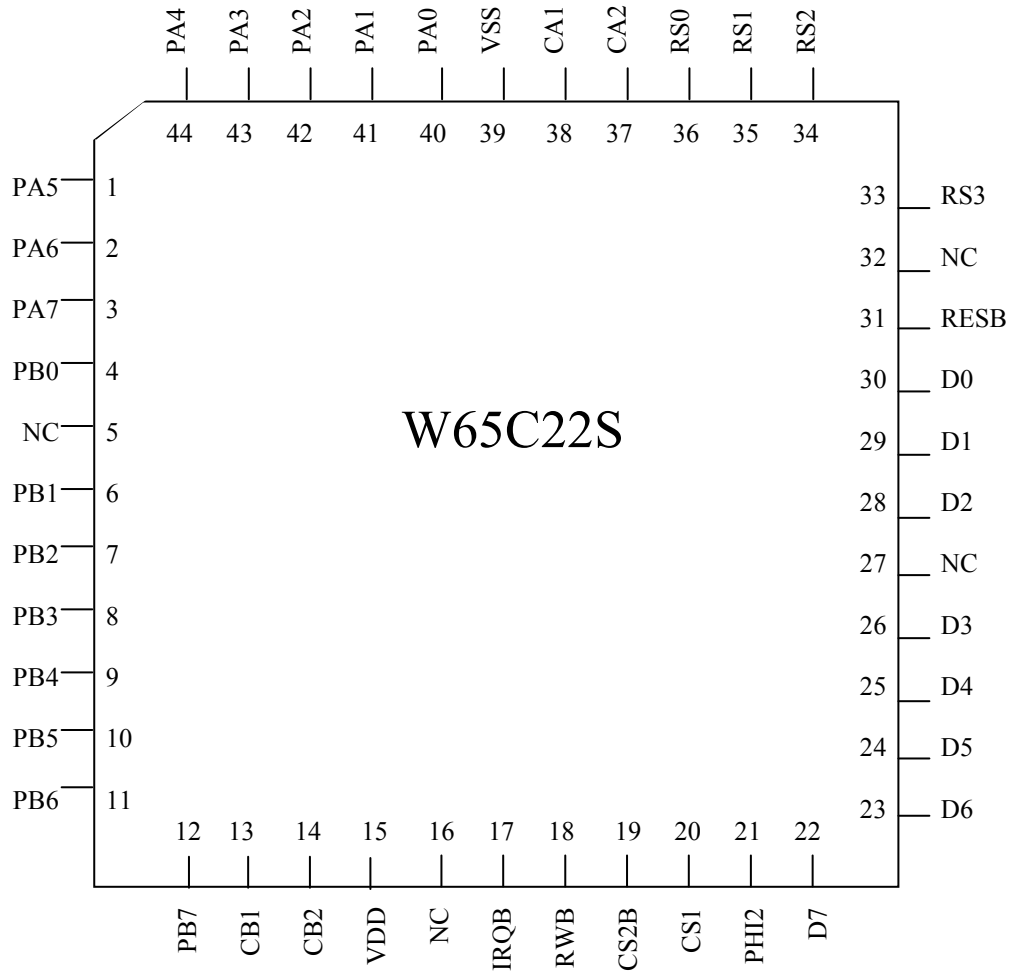


Figure 2-3 W65C22S 44 Pin QFP Pinout

Table 2-1 Pin Function Table

| Pin       | Description                 |
|-----------|-----------------------------|
| CA1, CA2  | Peripheral A Control Lines  |
| CB1, CB2  | Peripheral B Control Lines  |
| CS1, CS2B | Chip Select                 |
| D0-D7     | Data Bus                    |
| IRQB      | Interrupt Request           |
| PA0-PA7   | Peripheral I/O Port A       |
| PB0-PB7   | Peripheral I/O Port B       |
| PHI2      | Phase 2 Internal Clock      |
| RESB      | Reset                       |
| RS0-RS3   | Register Select             |
| R/WB      | Read/Write                  |
| VDD       | Positive Power Supply (+5V) |
| VSS       | Internal Logic Ground       |

### 2.1 Peripheral Data Port A Control Lines. (CA1, CA2)

CA1 and CA2 serve as interrupt inputs or handshake outputs for PA. Each line controls an internal Interrupt Flag with a corresponding Interrupt Enable bit. CA1 also controls the latching of Input Data on PA. CA1 and CA2 are high impedance CMOS inputs with a bus holding device. In the output mode, CA2 will drive one standard TTL load.

### 2.2 Peripheral Data Port B Control Lines. (CB1, CB2)

CB1 and CB2 serve as interrupt inputs or handshake outputs for PB. Like PA, these two control lines control an internal Interrupt Flag with a corresponding Interrupt Enable bit. These lines also serve as a serial data port under control of the SR. Each control line represents a CMOS input with a bus holding device in the input mode and can drive one TTL load in the output mode.



## 2.3 Chip Select (CS1, CS2B)

Normally, CS1 and CS2B are connected to the microprocessor address lines. This connection may be direct or through decoding. To access a selected W65C22S register, CS1 must be a Logic 1 and CS2B must be a Logic 0. These pins have a bus holding device.

## 2.4 Data Bus. (D0-D7)

The eight bi-directional lines D0-D7 are used to transfer data between the W65C22S and the microprocessor. During a Read operation, the contents of the selected W65C22S internal register are transferred to the microprocessor via D0-D7. During a Write operation, D0-D7 serve as high impedance inputs over which data is transferred from the microprocessor to a selected W65C22S register. D0-D7 are in the high impedance state when the W65C22S is unselected but each pin has a bus holding device, in case the bus tries to float, the data bus will be held in its previous state.

## 2.5 Interrupt Request. (IRQB)

The IRQB output signal is a Logic 0 whenever an internal Interrupt Flag bit is set to a Logic 1 and the corresponding Interrupt Enable bit is a Logic 1. The IRQB output is a full output driver that outputs both Logic 1 and Logic 0 levels. The older NMOS and CMOS IRQB output was open-drain pull down only, thus allowing the IRQB signal to be wire-ORed to a common microprocessor IRQB input line. The W65C22S IRQB cannot be wire-ored.

## 2.6 Peripheral Data Port A(PA0-PA7)

PA is an 8-line, bi-directional bus used for the transfer of data, control and status information between the W65C22S and a peripheral device. Each PA bus line may be individually programmed as either an input or output under control of DDRA. Data flow direction may be selected on a line-by-line basis with intermixed input and output lines within the same port. When a Logic 0 is written to any bit position of DDRA, the corresponding line will be programmed as an input. Likewise, when a Logic 1 is written into any bit position of the register, the corresponding data line will serve as an output. Polarity of the data output is determined by the ORA, while input data may be latched into the IRA under control of the CA1 line. All modes are program controlled by way of the W65C22S's internal control registers. Each PA line represents a CMOS capacitive load in the input mode and will drive one standard TTL load in the output mode. A typical output circuit for PA is shown in Figure 2-4. The PA data port has improved high impedance CMOS inputs, bus holding devices and high speed CMOS output drive for Logic 1 level. This allows for higher speed operation no longer dependent on the RC time constant of older NMOS and CMOS designs.



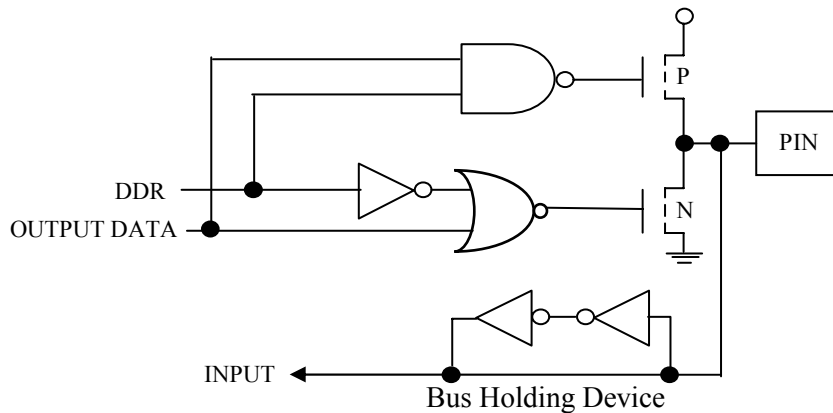


Figure 2-4 Port A Buffer (PA0-PA7, CA2)

## 2.7 Peripheral Data Port B (PB0-PB7)

PB is an 8-line, bi-directional bus which is controlled by an ORA, IRB, and DDRB in a manner much the same as PA. With respect to PB, the output signal on line PB7 may be controlled by Timer 1 while Timer 2 may be programmed to count pulses on the PB6 line. PB lines represent one CMOS high impedance load with bus holding device in the input mode and will drive one TTL load in the output mode. PB lines are also capable of sourcing 3.0 mA at 1.5 Vdc in the output mode. This allows the output to directly drive Darlington transistor circuits. A typical output circuit for PB is shown in Figure 2-5.

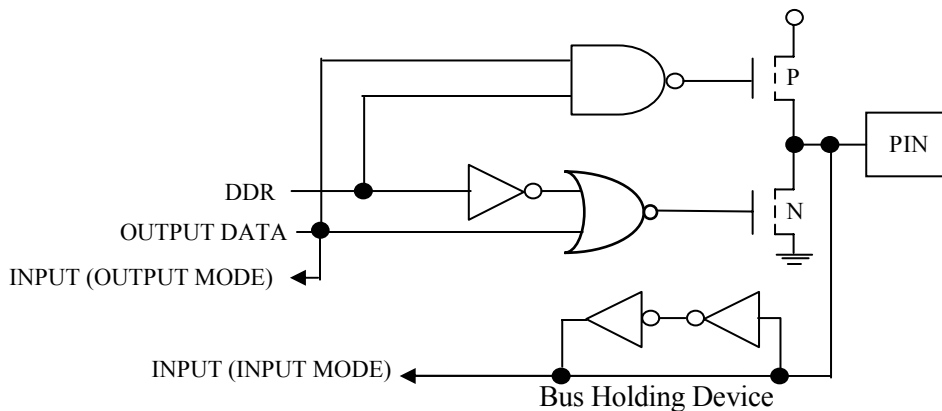


Figure 2-5 Port B Buffer (PB0-PB7, CB1, and CB2)

## 2.8 Phase 2 Internal Clock. (PHI2)

The system PHI2 Input Clock controls all data transfers between the W65C22S and the microprocessor.

## 2.9 Reset (RESB)

Reset clears all internal registers (except T1 and T2 counters and latches, and the SR. In the RESB condition, all pins are placed in the input state and bus holding devices maintain initial level if not driven. The initial level can be Logic 1 or Logic 0 and are not initialized by on-chip circuitry. Also, T1 and T2, SR and the interrupt logic are disabled from operation. All inputs have NOR gates with reset overriding the input pin value. Schmitt trigger NOR gates are on CA1, CA2, DB1, CB2, and PH2. Reset has a Schmitt trigger inverter input. The RESB input has a bus holding device.

## 2.10 Register Select. (RS0-RS3)

The RS0-RS3 inputs allow the microprocessor to select one of 16 internal registers within the W65C22S. Refer to Table 1 for Register Select coding and a functional description. RS0-RS3 have bus holding devices.

## 2.11 RWB (Read/Write)

The RWB signal is generated by the microprocessor and is used to control the transfer of data between the W65C22S and the microprocessor. When RWB is at a Logic 1 and the chip is selected, data is transferred from the W65C22S to the microprocessor (Read operation). Conversely, when RWB is at a Logic 0, data is transferred from the processor to the selected W65C22S register (Write operation). RWB must always be preceded by a proper level on CS1, CS2B. RWB has a bus holding device.

## 2.12 VDD and VSS.

VDD is the positive supply voltage and VSS is system logic ground.

### 3. SECTION 3 TIMING, AC AND DC CHARACTERISTICS

#### 3.1 Absolute Maximum Ratings.

Table 3-1 Absolute Maximum Ratings

| Rating              | Symbol | Value             |
|---------------------|--------|-------------------|
| Supply Voltage      | VDD    | -0.3 to +7.0V     |
| Input Voltage       | VIN    | -0.3 to VDD +0.3V |
| Storage Temperature | TS     | -55 °C to +150 °C |

This device contains input protection against damage due to high static voltages or electric fields; however, precautions should be taken to avoid application of voltages higher than the maximum rating.

Note: Exceeding these ratings may result in permanent damage. Functional operation under these conditions is not implied.

3.2 DC Characteristics. TA=-40°C to +85°C

Table 3-2 DC Characteristics

| Symbol | Parameter   | 5.0 +/-5% |            | 3.3 +/-10% |             | 3.0 +/-5% |               | 2.5 +/-5% |             | 1.8 +/-5% |              | Units      |
|--------|---|-----------|------------|------------|-------------|-----------|---------------|-----------|-------------|-----------|--------------|------------|
|        |   | Min       | Max        | Min        | Max         | Min       | Max           | Min       | Max         | Min       | Max          |            |
| VDD    | Supply Voltage  | 4.75      | 5.25       | 3.0        | 3.6         | 2.85      | 3.75          | 2.37      | 2.63        | 1.71      | 1.89         | V          |
| Vih    | Input High Voltage - All inputs   | VDDx0.7   | VDD+0.3    | VDDx0.7    | VDD+0.3     | VDDx0.7   | VDD+0.3       | VDDx0.7   | VDD+0.3     | VDDx0.7   | VDD+0.3      | V          |
| Vil    | Input Low Voltage - All inputs  | VSS-0.3   | VDDx0.3    | VSS-0.3    | VSSx0.3     | VSS-0.3   | VDDx0.3       | VSS-0.3   | VDDx0.3     | VSS-0.3   | VDDx0.3      | V          |
| Iin    | Input Leakage Current, Vin = 0.4V to 2.4V For PH12                            | -20       | 20         | -20        | 20          | -20       | 20            | -20       | 20          | -20       | 20           | nA         |
| Iinh   | Input Bus Holding Current Vin = VDDx0.7 All pins except PH12, IRQB, VDD, VSS  | -5        | -10        | -4         | -7          | -4        | -6            | -1        | -3          | -1.5      | -2           | µA         |
| Iinl   | Input Bus Holding Current Vin = VDDx0.3 All pins except PH12, IRQB, VDD, VSS  | 10        | 20         | 6          | 9           | 4         | 7             | 3.5       | 5           | .5        | 1.5          | µA         |
| Iol    | Output Low Voltage (Vol = 0.4v)(VDD=MIN) All outputs                          | 1.6       | -          | 1.6        | -           | 1.6       | -             | 1.0       | -           | 0.5       | -            | mA         |
| Ioh    | Output High Voltage (Voh=VDD-0.4v) (VDD=MN) All outputs                       | 700       | -          | 350        | -           | 300       | -             | 200       | -           | 100       | -            | µA         |
| Ioh    | Output High Current (Sourcing) Voh=1.5V Direct Transistor Drive - All outputs | -3.0      | -10.0      | -3.0       | -10.0       | -2.0      | -7.0          | -1.5      | -5.0        | -1.0      | -4.0         | mA         |
| Idd    | Supply Current (With tester loading) (1)<br>Supply Current (CORE) (1)         | -         | 0.5<br>0.2 | -          | 0.4<br>0.15 | -         | 0.35<br>0.125 | -         | 0.3<br>0.10 | -         | 0.25<br>0.08 | mA/<br>MHz |
| Cin*   | Input Capacitance, f = 1 MHz  | -         | 5.0        | -          | 5.0         | -         | 5.0           | -         | 5.0         | -         | 5.0          | pF         |
| Cout*  | Output Capacitance, f = 1 MHz   | -         | 5.0        | -          | 5.0         | -         | 5.0           | -         | 5.0         | -         | 5.0          | pF         |

\*Tested on a sample basis only

(1) These are estimated power characteristics and will be updated after characterization.

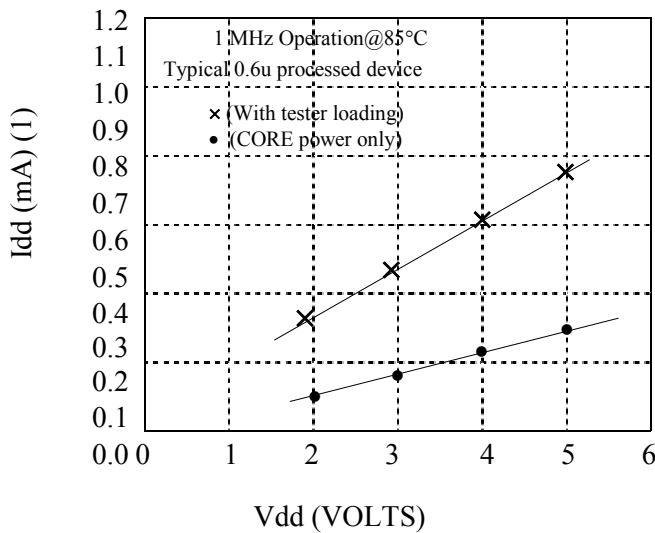
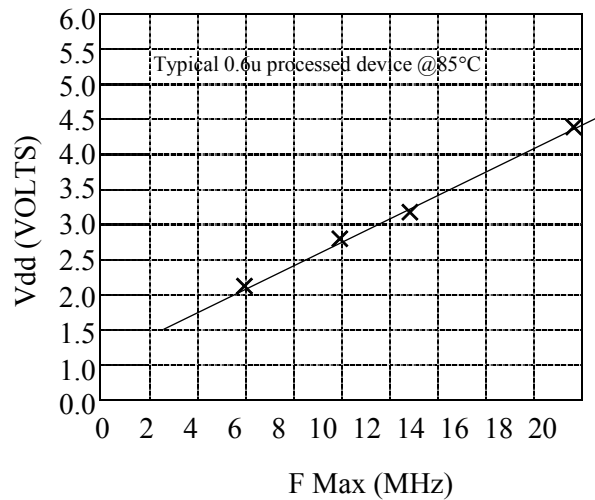


Figure 3-1 Idd vs Vdd





**3.3 AC Characteristic TA=-40°C to +85°C**

Table 3-3 W65C22S AC Characteristics  
Processor Interface Timing

| Symbol | Parameter                           | 5.0+/-5% |     | 3.3 +/-10% |     | 3.0+/-5% |     | 2.5+/-5% |     | 1.8+/-5% |     | Units |
|--------|-------------------------------------|----------|-----|------------|-----|----------|-----|----------|-----|----------|-----|-------|
|        |                                     | Min      | Max | Min        | Max | Min      | Max | Min      | Max | Min      | Max |       |
|        |                                     | 14 MHz   |     | 10 MHz     |     | 8 MHz    |     | 4 MHz    |     | 2MHz     |     |       |
| tCYC   | Cycle Time                          | 70       | -   | 100        | -   | 125      | -   | 250      | -   | 500      | -   | nS    |
| tPWH   | Phase 2 Pulse Width High            | 35       | -   | 50         | -   | 62       | -   | 125      | -   | 250      | -   | nS    |
| tPWL   | Phase 2 Pulse Width Low             | 35       | -   | 50         | -   | 63       | -   | 125      | -   | 250      | -   | nS    |
| tR,F   | Phase 2 Transition                  | -        | 5   | -          | 5   | -        | 5   | -        | 5   | -        | 5   | nS    |
| ACR    | Select, RWB Setup                   | 10       | -   | 10         | -   | 10       | -   | 20       | -   | 40       | -   | nS    |
| tCAR   | Select, RWB Hold (PHI2 rising edge) | 10       | -   | 10         | -   | 10       | -   | 10       | -   | 10       | -   | nS    |
| tCDR   | Data Bus Delay                      | -        | 20  | -          | 25  | -        | 35  | -        | 80  | -        | 180 | pF    |
| tHR    | Data Bus Hold Time                  | 10       | -   | 10         | -   | 10       | -   | 10       | -   | 10       | -   | nS    |
| tPCR   | Peripheral Data Setup               | 10       | -   | 10         | -   | 30       | -   | 60       | -   | 120      | -   | nS    |
| tACW   | Select, RWB Setup                   | 10       | -   | 10         | -   | 10       | -   | 20       | -   | 90       | -   | nS    |
| tCAW   | Select, RWB Hold (PHI2 rising edge) | 10       | -   | 10         | -   | 10       | -   | 10       | -   | 10       | -   | nS    |
| tDCW   | Data Bus Setup                      | 10       | -   | 10         | -   | 10       | -   | 20       | -   | 40       | -   | nS    |
| tHW    | Data Bus Hold                       | 10       | -   | 10         | -   | 10       | -   | 10       | -   | 10       | -   | nS    |
| tCPW   | Peripheral Data Delay               | -        | 30  | -          | 50  | -        | 60  | -        | 120 | -        | 240 | nS    |



Table 3-4 W65C22S AC  
Peripheral Interface Timing

| Symbol | Parameter   | 5.0+/-5% |      | 3.3 +/-10% |      | 3.0+/-5% |      | 2.5+/-5% |      | 1.8+/-5% |      | Unit | Figure     |
|--------|---|----------|------|------------|------|----------|------|----------|------|----------|------|------|------------|
|        |   | Min      | Max  | Min        | Max  | Min      | Max  | Min      | Max  | Min      | Max  |      |            |
|        |   | 14 MHz   |      | 10 MHz     |      | 8 MHz    |      | 4 MHz    |      | 2 MHz    |      |      |            |
| tR, tF | Rise & Fall Time for CA1, CB1, CA2 and CB2 Input Signals  | -        | 70   | -          | 100  | -        | 125  | -        | 250  | -        | 500  | nS   | -          |
| tCA2   | Delay Time, Clock Negative Transition to CA2 Negative Transition (Read Handshake or Pulse Mode) | -        | 75   | -          | 105  | -        | 130  | -        | 255  | -        | 505  | nS   | 3-3<br>3-4 |
| tRS1   | Delay Time, Clock Negative Transition to CA2 Positive Transition (Pulse Mode)                   | -        | 75   | -          | 105  | -        | 130  | -        | 255  | -        | 505  | uS   | 3-3        |
| tRS2   | Delay Time, CA1 Active Transition to CA2 Positive Transition (Read Handshake Mode)              | -        | 100  | -          | 135  | -        | 160  | -        | 285  | -        | 535  | nS   | 3-4        |
| tWHS   | Delay Time, Clock Positive Transition to CA2 or CB2 Negative Transition (Write Handshake)       | -        | 75   | -          | 105  | -        | 130  | -        | 255  | -        | 505  | nS   | 3-5<br>3-6 |
| tDS    | Delay Time, Peripheral Data Valid to CB2 Negative Transition                                    | -        | 100  | -          | 135  | -        | 160  | -        | 285  | -        | 535  | nS   | 3-5<br>3-6 |
| tRS3   | Delay Time, Clock Positive Transition to CA2 or CB2 Positive Transition (Write Pulse Mode)      | -        | 150  | -          | 220  | -        | 270  | -        | 520  | -        | 1020 | nS   | 3-5        |
| tRS4   | Delay Time, CA1 or CB1 Active Transition to CA2 or CB2 Positive Transition (Handshake Mode)     | -        | 88   | -          | 125  | -        | 160  | -        | 285  | -        | 535  | ns   | 3-6        |
| t21    | Delay Time Required from CA2 Output to CA1 Active Transition (Write Handshake Mode)             | -        | 88   | -          | 125  | -        | 160  | -        | 285  | -        | 535  | nS   | 3-6        |
| tIL    | Set-up Time, Peripheral Data Valid to CA1 or CB1 Active Transition (Input Latching)             | 62       | -    | 92         | -    | 115      | -    | 240      | -    | 490      | -    | nS   | 3-7        |
| tSR1   | Shift-Out Delay Time - Time from PHI2 Falling Edge to CB2 Data Out                              | -        | 35   | -          | 43   | -        | 70   | -        | 130  | -        | 260  | nS   | 3-8        |
| tSR2   | Shift-In Set-up Time - Time from CB2 Data in to PHI2 Rising Edge                                | 105      | -    | 155        | -    | 195      | -    | 380      | -    | 780      | -    | nS   | 3-9        |
| tSR3   | External Shift Clock (CB1) Set-up Time Relative to PHI2 Trailing Edge                           | 0        | tCYC | 0          | tCYC | 0        | tCYC | 0        | tCYC | 0        | tCYC | nS   | 3-9        |
| tIPW   | Pulse Width - PB6 Input Pulse   | 2x tCYC  | -    | 2x tCYC    | -    | 2x tCYC  | -    | 2x tCYC  | -    | 2x tCYC  | -    | nS   | 3-11       |
| tICW   | Pulse Width - CB1 Input Clock   | 2x tCYC  | -    | 2x tCYC    | -    | 2x tCYC  | -    | 2x tCYC  | -    | 2x tCYC  | -    | nS   | 3-10       |
| tIPS   | Pulse Spacing - PB6 Input Pulse   | 2x tCYC  | -    | 2x tCYC    | -    | 2x tCYC  | -    | 2x tCYC  | -    | 2x tCYC  | -    | nS   | 3-11       |
| tICS   | Pulse Spacing - CB1 Input Pulse   | 2x tCYC  | -    | 2x tCYC    | -    | 2x tCYC  | -    | 2x tCYC  | -    | 2x tCYC  | -    | nS   | 3-10       |
| tAL    | CA1, CB1 Set Up Prior to Transition to Arm Latch  | 88       | -    | 125        | -    | 150      | -    | 300      | -    | 600      | -    | nS   | 3-7        |
| tPDH   | Peripheral Data Hold after CA1, CB1 Transition  | 10       | -    | 20         | -    | 20       | -    | 20       | -    | 20       | -    | nS   | 3-7        |

Note: See Figure 3-12 for test load

3.4 Timing Diagrams.

Note: Measurement points are at 50% of VDD unless otherwise specified.

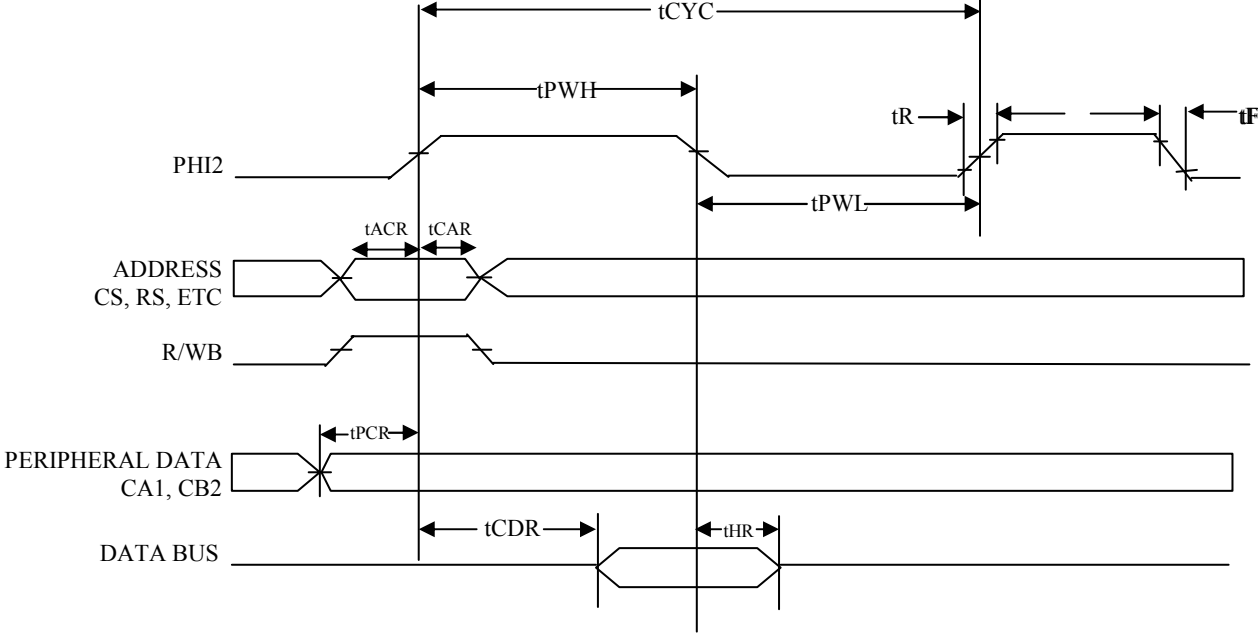


Figure 3-2 Read Timing

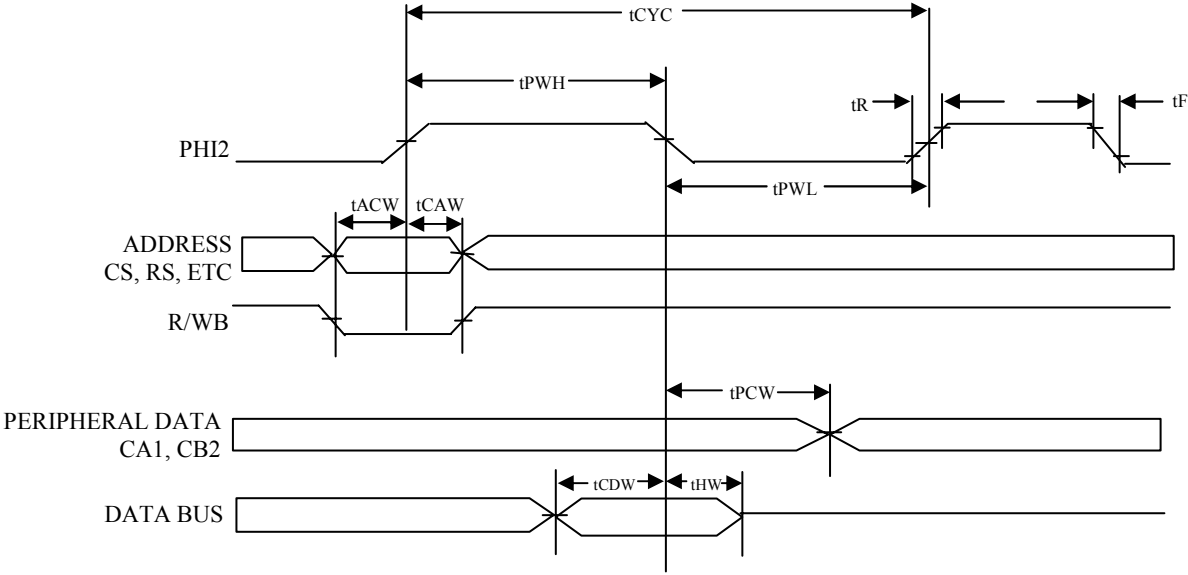


Figure 3-3 Write Timing

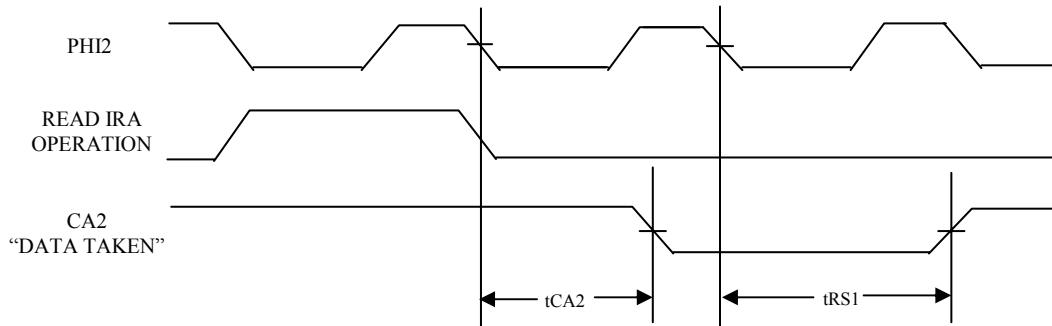


Figure 3-4 Read Handshake, Pulse Mode (CA2)

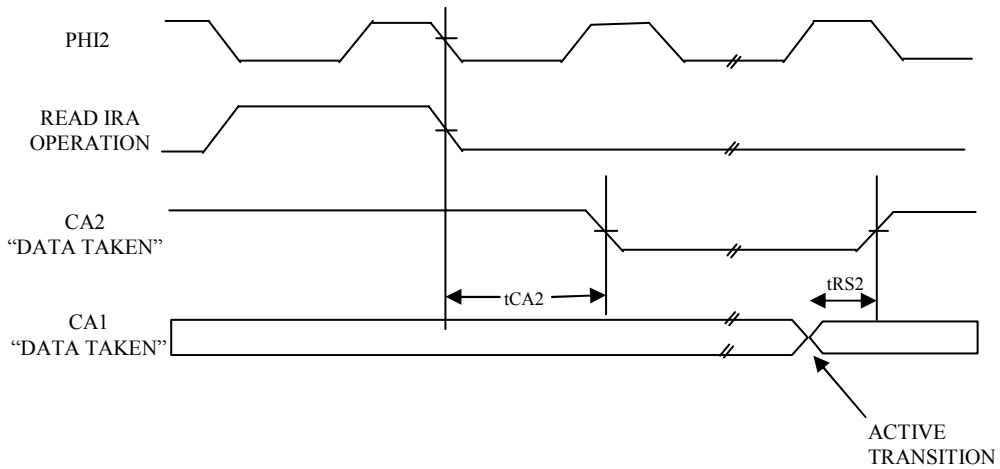


Figure 3-5 Read Handshake, Handshake Mode Timing (CA2)



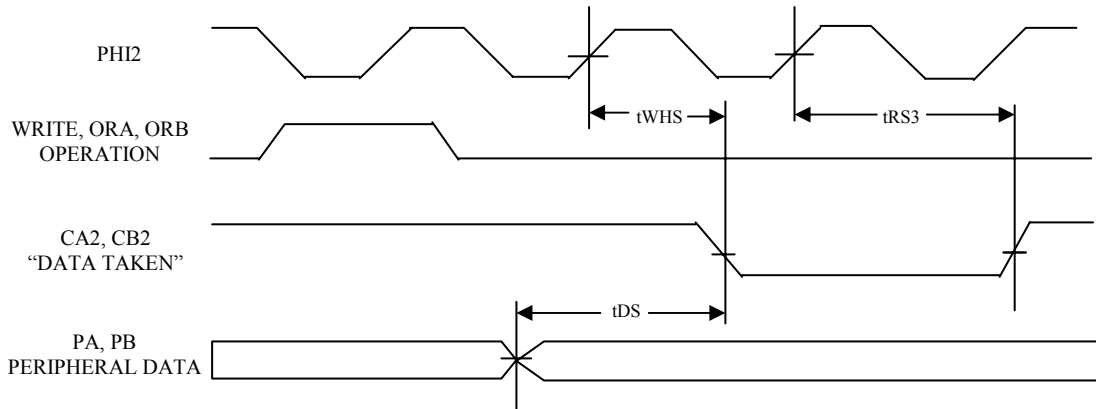


Figure 3-6 Write Handshake, Pulse Mode Timing (CA2, CB2)

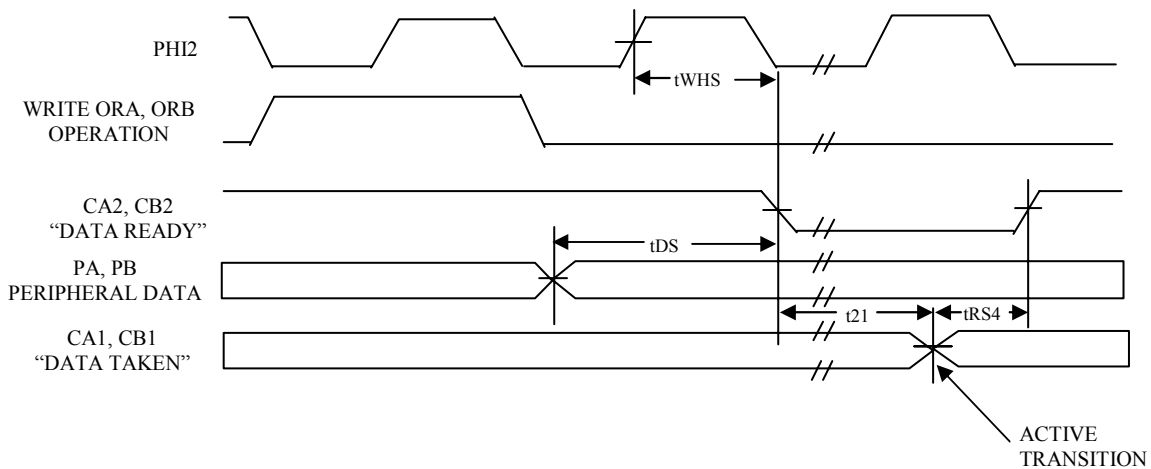


Figure 3-7 Write Handshake, Handshake Mode Timing (CA2, CB2)

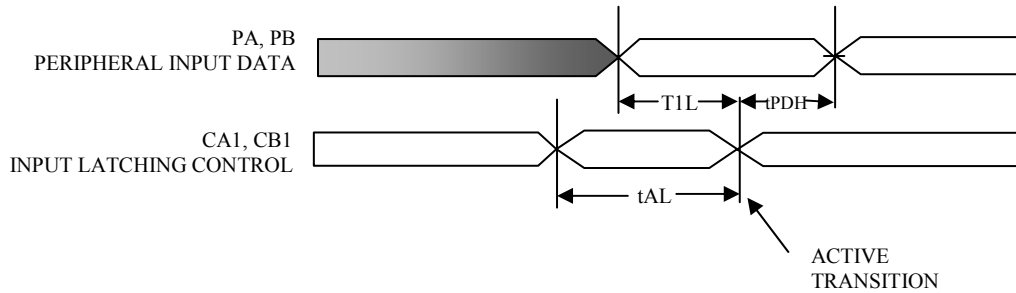


Figure 3-8 Peripheral Data, Input Latching Timing

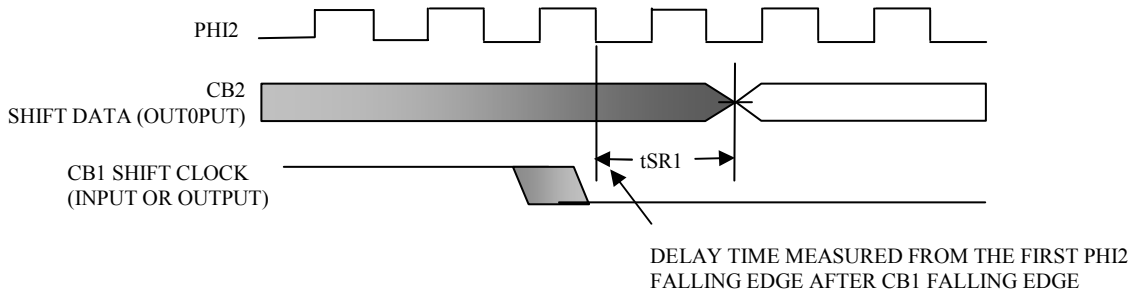


Figure 3-9 Data Shift Out, Internal or External Shift Clock Timing

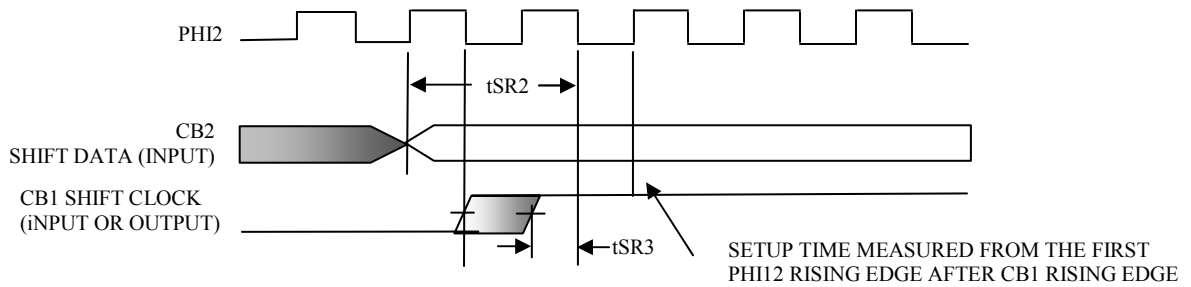


Figure 3-10 Data Shift In, Internal or External Shift Clock Timing

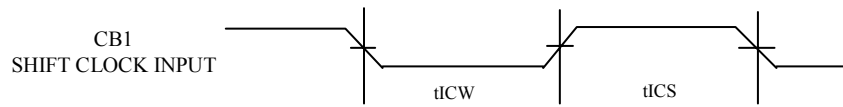


Figure 3-10 External Shift Clock Timing

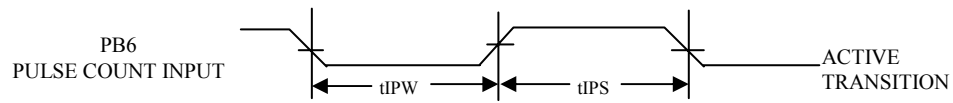


Figure 3-11 Pulse Count Input Timing

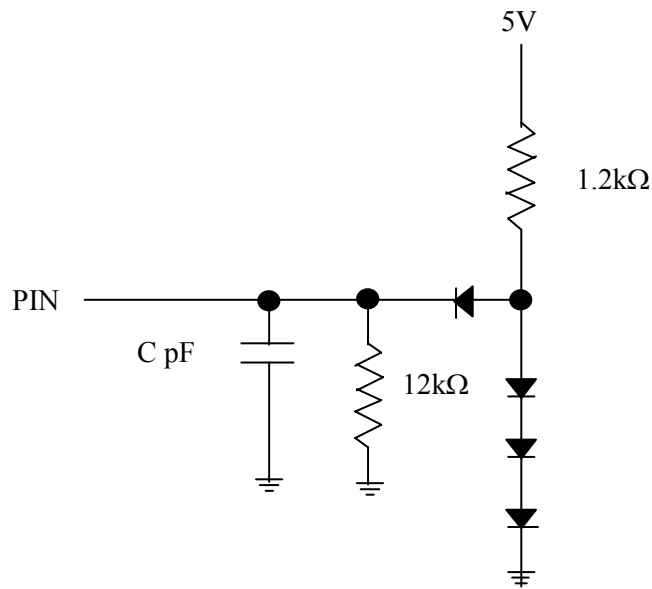


Figure 3-12 Test Load (All Dynamic Parameters)

## 4. SECTION 4 CAVEATS

### 4.1 Caveats

1. On older versions of the 6522 and 65C22, which are not internally chip-selected, random register are read due to register select values. The W65C22S selects only register 15 (\$F) internally. This feature has been added for systems which have indeterminate register select values.
2. When outputting the Shift Clock, the CB1 pin may be overdriven without affecting the shifting function. However, this is not recommended as it will result in high currents and possible damage to the part. Because some systems have been arbitrating the clock after data has been transferred, this feature was added.
3. There is a major design difference between the W65C22S and all previous versions of the 6522 and 65C22. The IRQB pin on the W65C22S is a standard totem pole output. It is no longer open drain and cannot be wire OR'ed. This change was made to improve the low power, high speed characteristics of the part.

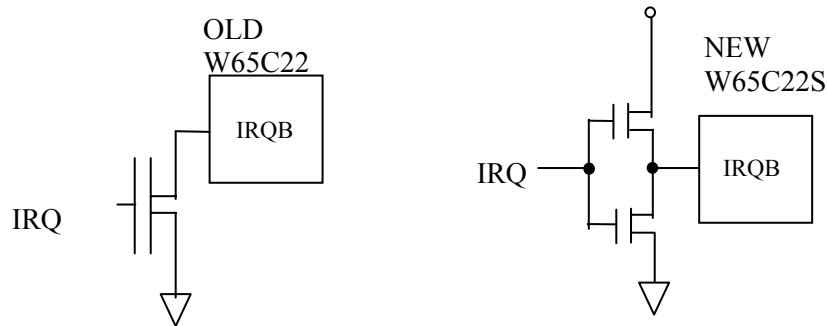


Figure 4-1 IRQB Difference

4. All W65C22S pins except PHI2 have bus holding devices. The original NMOS 6522, G65C22 and R65C22 did not have bus holding devices.

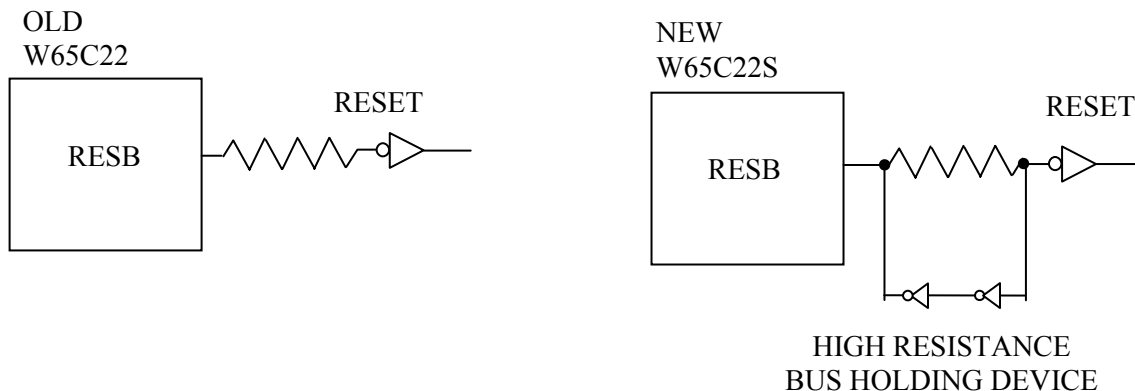


Figure 4-2 High Resistance Bus Holding Device

5. The W65C22S output pins do not have current limiting and can over drive circuitry connected to these pins. The original NMOS 6522 had current limiting resistors in series with PB and PA outputs.



## **5. SECTION 5 HARD CORE MODEL**

### **Application Notes**

5.1 The W65C22C is functionally equivalent to the W65C22S except it does not have the output drive transistors and does not have ESD protection.

5.2 If Chip Select, CS1 is not used, it should be held in the high state. If Chip Select, CS2B, is not used it should be held in the low state.

5.3 The timing of the W65C22C is the same as the W65C22S in that the input buffers are the same and the output transistor drivers are the same as the W65C22S. When applying the W65C22S core, the output delays should be analyzed after adding the output drive transistors and the output load capacitance.



**6. SECTION 6 ORDERING INFORMATION**

| W65C22S6TPLG-14   |      |
|---|------|
| <b>Description</b><br>W65C = standard product   | W65C |
| <b>Product Identification Number</b>  | 22S  |
| <b>Foundry Process</b><br>6T = 0.6u TSMC Process  | 6T   |
| <b>Package</b><br>P = Plastic Dual-In-Line, 40 pins<br>PL = Plastic Leaded Chip Carrier, 44 pins<br>Q = Quad Flat Pack, 44 pins | PL   |
| <b>RoHS/Green Compliance</b><br>G = RoHS/Green Compliant (Wafer and Packaging)  | G    |
| <b>Temperature/Processing</b><br>Blank = -40°C to + 85°C  |      |
| <b>Speed Designator</b><br>-14 = 14MHz  | -14  |

To receive general sales or technical support on standard product or information about our module library licenses, contact us at:

The Western Design Center, Inc.  
 2166 East Brown Road  
 Mesa, Arizona 85213 USA  
 Phone: 480-962-4545 Fax: 480-835-6442  
 e-mail: [information@westerndesigncenter.com](mailto:information@westerndesigncenter.com)  
[www.westerndesigncenter.com](http://www.westerndesigncenter.com)

**WARNING:** MOS CIRCUITS ARE SUBJECT TO DAMAGE FROM STATIC ELECTRICAL CHARGE BUILDUPS. Industry established recommendations for handling MOS circuits include:

1. Ship and store product in conductive shipping tubes or conductive foam plastic. Never ship or store product in non-conductive plastic containers or non-conductive plastic foam material.
2. Handle MOS parts only at conductive work stations.
3. Ground all assembly and repair tools.

Компания «Океан Электроники» предлагает заключение долгосрочных отношений при поставках импортных электронных компонентов на взаимовыгодных условиях!

Наши преимущества:

- Поставка оригинальных импортных электронных компонентов напрямую с производств Америки, Европы и Азии, а так же с крупнейших складов мира;
- Широкая линейка поставок активных и пассивных импортных электронных компонентов (более 30 млн. наименований);
- Поставка сложных, дефицитных, либо снятых с производства позиций;
- Оперативные сроки поставки под заказ (от 5 рабочих дней);
- Экспресс доставка в любую точку России;
- Помощь Конструкторского Отдела и консультации квалифицированных инженеров;
- Техническая поддержка проекта, помощь в подборе аналогов, поставка прототипов;
- Поставка электронных компонентов под контролем ВП;
- Система менеджмента качества сертифицирована по Международному стандарту ISO 9001;
- При необходимости вся продукция военного и аэрокосмического назначения проходит испытания и сертификацию в лаборатории (по согласованию с заказчиком);
- Поставка специализированных компонентов военного и аэрокосмического уровня качества (Xilinx, Altera, Analog Devices, Intersil, Interpoint, Microsemi, Actel, Aeroflex, Peregrine, VPT, Syfer, Eurofarad, Texas Instruments, MS Kennedy, Miteq, Cobham, E2V, MA-COM, Hittite, Mini-Circuits, General Dynamics и др.);

Компания «Океан Электроники» является официальным дистрибьютором и эксклюзивным представителем в России одного из крупнейших производителей разъемов военного и аэрокосмического назначения «JONHON», а так же официальным дистрибьютором и эксклюзивным представителем в России производителя высокотехнологичных и надежных решений для передачи СВЧ сигналов «FORSTAR».



## JONHON

«JONHON» (основан в 1970 г.)

Разъемы специального, военного и аэрокосмического назначения:

(Применяются в военной, авиационной, аэрокосмической, морской, железнодорожной, горно- и нефтедобывающей отраслях промышленности)

«FORSTAR» (основан в 1998 г.)

ВЧ соединители, коаксиальные кабели,  
кабельные сборки и микроволновые компоненты:

(Применяются в телекоммуникациях гражданского и специального назначения, в средствах связи, РЛС, а так же военной, авиационной и аэрокосмической отраслях промышленности).



Телефон: 8 (812) 309-75-97 (многоканальный)

Факс: 8 (812) 320-03-32

Электронная почта: [ocean@oceanchips.ru](mailto:ocean@oceanchips.ru)

Web: <http://oceanchips.ru/>

Адрес: 198099, г. Санкт-Петербург, ул. Калинина, д. 2, корп. 4, лит. А