

## Honeywell Zephyr™ Digital Airflow Sensors

HAF Series—High Accuracy: 10 SLPM, 15 SLPM, 20 SLPM, 50 SLPM, 100 SLPM, 200 SLPM, 300 SLPM

**008268**

Issue 5

Datasheet



### DESCRIPTION

Honeywell Zephyr™ HAF Series sensors provide a digital interface for reading airflow over specified full-scale flow and compensated temperature ranges. The thermally isolated heater and temperature sensing elements help these sensors provide a fast response to air or gas flow. Zephyr sensors are designed to measure mass flow of air and other non-corrosive gases. Standard flow ranges are 10 SLPM, 15 SLPM, 20 SLPM, 50 SLPM, 100 SLPM, 200 SLPM and 300 SLPM, with custom flow ranges available. The sensors are fully calibrated and temperature compensated with an onboard Application Specific Integrated Circuit (ASIC). The HAF Series >10 SLPM is compensated over the calibrated temperature range of 0°C to 50°C [32°F to 122°F]. The state-of-the-art ASIC-based compensation provides digital (I<sup>2</sup>C) outputs with a response time of 1 ms. These sensors operate on the heat transfer principle to measure mass airflow. They consist of a microbridge Microelectronic and Microelectromechanical System (MEMS) with temperature-sensitive resistors deposited with thin films of platinum and silicon nitride. The MEMS sensing die is located in a precise and carefully designed airflow channel to provide repeatable response to flow. Zephyr sensors provide the customer with enhanced reliability, high accuracy, repeatable measurements and the ability to customize sensor options to meet many specific application needs. The combination of rugged housings with a stable substrate makes these products extremely robust. They are designed and manufactured according to ISO 9001 standards.

### VALUE TO CUSTOMERS

- **Precise measurement:** The industry's smallest Total Error Band, fast response time, and high accuracy provide precise measurement and high performance in the customer's application.
- **Saves time:** Configurable and customizable with a choice of port styles simplifies design and reduces production time.
- **Cost-effective:** Reduces printed circuit board (PCB) size and overall design and production costs.

### FEATURES

- Fast response time (1 ms) allows the customer's application to respond quickly to a change in airflow, important in critical medical (e.g., anesthesia) and industrial (e.g., fume hood) applications.
- High stability reduces errors due to thermal effects and null shift, providing accurate readings over time and often eliminating the need for system calibration after PCB mount and periodically over time.
- High sensitivity at very low flows provides a fast response time at the onset or cessation of flow.
- High 12-bit resolution increases the ability to sense small airflow changes, allowing customers to more precisely control their application.
- Wide airflow range: The industry's broadest airflow range measures mass flow with standard flow ranges of 0 to 10, 0 to 15, 0 to 20, 0 to 50, 0 to 100, 0 to 200 and 0 SLPM to 300 SLPM, or custom flow ranges, increasing the options to integrate the sensor into the application.
- Choice of port styles: Manifold mount, 22 mm OD tapered male fitting, and G 3/8 female threaded fitting provide flexibility to choose the pneumatic connection that is best for the customer's application.
- Linear output provides a more intuitive sensor signal than the raw output of basic airflow sensors, which can help reduce production costs, design, and implementation time.
- Wide supply voltage range (3 Vdc to 10 Vdc) provides a flexible regulated power circuit which allows the designer the flexibility to choose the supply voltage that works best in the system.
- ASIC-based I<sup>2</sup>C digital output simplifies integration to microprocessors or microcontrollers, reducing PCB complexity and component count.
- RoHS-compliant materials Meet Directive 2002/95/EC.

### POTENTIAL APPLICATIONS

- **Medical:** Anesthesia delivery machines, ventilators, ventricular assist devices (heart pumps), spirometers, laparoscopy
- **Industrial:** Analytic instrumentation (spectrometry, chromatography), air-to-fuel ratio, fuel cells, fume hoods, gas leak detection, process control gas monitoring, vacuum pump monitoring

### PORTFOLIO

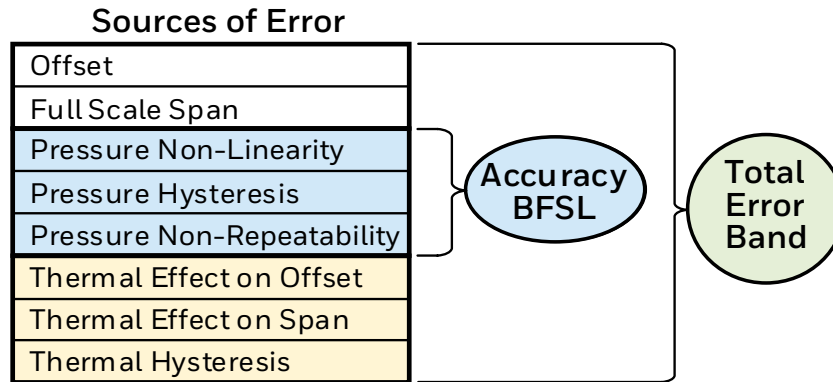
The Honeywell Zephyr Digital Airflow Sensors join an extensive line of airflow sensors for potential use in medical, industrial, and consumer applications.

# Honeywell Zephyr™ Digital Airflow Sensors

## HAF Series—High Accuracy: 10, 15, 20, 50, 100, 200, 300 SLPM

**Figure 1. Total Error Band vs. Accuracy**

Other airflow sensor manufacturers only report on accuracy, while Honeywell reports Total Error Band.



### HIGH ACCURACY

Ideal for use in demanding applications that require high accuracy.

- 0%FS to 14.3%FS = 0.5%FS
- 14.3%FS to 100%FS = 3.5%reading

### TOTAL ERROR BAND (TEB)\*

Honeywell specifies TEB, the most comprehensive, clear, and meaningful measurement that provides the sensor's true accuracy (see Figure 1). TEB allows for precise airflow measurement, often ideal for demanding applications with high accuracy requirements for precise airflow measurement.

- 10, 15, 20, 50, 100, 200 SLPM:
  - 0%FS to 12.5%FS = 0.5%FS
  - 12.5%FS to 100%FS = 4.0%reading
- 300 SLPM only:
  - 0%FS to 12.5%FS = 0.5%FS
  - 12.5%FS to 66.7%FS = 4.0%reading
  - 66.7%FS to 100%FS = 7.0%reading

**Table 1. Absolute Maximum Ratings<sup>1</sup>**

| Characteristic                     | Parameter                        |
|------------------------------------|----------------------------------|
| Supply voltage                     | -0.3 Vdc to 11.0 Vdc             |
| Voltage on digital I/O output pins | -0.3 Vdc to 3.0 Vdc <sup>2</sup> |
| Storage temperature range          | -40°C to 100°C [-40°F to 212°F]  |
| Maximum flow change                | 10,000 SLPM/s                    |
| Maximum common mode pressure       | 4 bar   60 psi at 25°C [77°F]    |
| Maximum flow                       | 350 SLPM                         |

<sup>1</sup>Absolute maximum ratings are the extreme limits that the device will withstand without damage to the device. However, the electrical and mechanical characteristics are not guaranteed as the maximum limits (above recommended operating conditions) are approached, nor will the device necessarily operate at absolute maximum ratings.

<sup>2</sup>Digital I/O pins are diode protected at this voltage up to 2 mA. Digital bus voltage may exceed this value if the maximum digital bus current is limited to 2 mA or less. The maximum bus current is generally determined by the bus pull-up resistors

### CAUTION IMPROPER USE

Do not use these products to sense liquid flow.  
**Failure to comply with these instructions may result in product damage.**

### CAUTION PRODUCT DAMAGE

Do not disassemble these products.  
**Failure to comply with these instructions may result in product damage.**

# Honeywell Zephyr™ Digital Airflow Sensors

## HAF Series—High Accuracy: 10, 15, 20, 50, 100, 200, 300 SLPM

**Table 2. Operating Specifications**

| Characteristic   | Parameter  |
|--|--|
| Supply voltage   | 3 Vdc to 10 Vdc  |
| Supply current   | 20 mA max.   |
| Power:<br>3 Vdc<br>10 Vdc  | 60 mW max.<br>200 mW max.  |
| Calibrated temperature range <sup>1</sup>  | 0°C to 50°C [32°F to 122°F]  |
| Operating temperature range  | -20°C to 70°C [-4°F to 158°F]  |
| Full scale (FS) flow <sup>2</sup>  | 10, 15, 20, 50, 100, 200, 300 SLPM   |
| Calibrated flow range  | 0 to 10, 0 to 15, 0 to 20, 0 to 50, 0 to 100, 0 to 200, 0 SLPM to 300 SLPM                     |
| Calibration gas  | clean, dry air   |
| Accuracy <sup>3</sup><br>0%FS to 14.3%FS<br>14.3%FS to 100%FS  | 0.5%FS<br>3.5%reading  |
| Total Error Band: <sup>4</sup><br>10, 15, 20, 50, 100, 200 SLPM:<br>0%FS to 12.5%FS<br>12.5%FS to 100%FS<br>300 SLPM only:<br>0%FS to 12.5%FS<br>12.5%FS to 66.7%FS<br>66.7%FS to 100%FS | 0.5%FS<br>4.0%reading<br>0.5%FS<br>4.0%reading<br>7.0%reading                                  |
| Null accuracy <sup>5</sup>   | ±0.5%FS  |
| Flow response time <sup>6</sup>  | 1 ms   |
| Warm up time <sup>7</sup>  | 35 ms  |
| Resolution:<br>10 SLPM<br>15 SLPM<br>20 SLPM<br>50 SLPM<br>100 SLPM<br>200 SLPM<br>300 SLPM  | 0.002 SLPM<br>0.003 SLPM<br>0.003 SLPM<br>0.008 SLPM<br>0.015 SLPM<br>0.029 SLPM<br>0.043 SLPM |
| Proof pressure   | 10.3 bar   150 psig  |
| Burst pressure   | 13.7 bar   200 psig  |
| Bus standards <sup>8</sup>   | I <sup>2</sup> C fast mode (up to 400 kHz)   |
| Reverse polarity protection  | no   |

<sup>1</sup> Custom and extended temperature compensated ranges are possible. Contact Honeywell for details.

<sup>2</sup> Honeywell standard for mass flow rate units is SLPM, which has reference conditions of 0°C and 1 atm. Custom units are given as LPM with listed reference conditions at the first mention.

<sup>3</sup> Accuracy is the maximum deviation in output from nominal over the entire calibrated flow range at 25°C. Errors include Offset, Full Scale Span, Linearity, Flow Hysteresis, and Repeatability.

<sup>4</sup> Total Error Band (TEB) is the maximum deviation in output from nominal over the entire calibrated flow range and temperature range. Total Error Band includes all Accuracy errors, as well as all temperature effects over the compensated temperature range, including Temperature Offset, Temperature Span and Thermal Hysteresis.

<sup>5</sup> Null Accuracy is the maximum deviation in output from nominal at null flow over the entire calibrated temperature range.

<sup>6</sup> Response time: time to electrically respond to any mass flow change at the microbridge airflow transducer (response time of the transducer may be affected by the pneumatic interface).

<sup>7</sup> Warm-up time: time to the first valid flow measurement after power is applied.

<sup>8</sup> Refer to the Technical Note "I<sup>2</sup>C Communications with Honeywell Digital Airflow Sensors" for I<sup>2</sup>C protocol information.

# Honeywell Zephyr™ Digital Airflow Sensors

## HAF Series—High Accuracy: 10, 15, 20, 50, 100, 200, 300 SLPM

**Table 3. Environmental Specifications**

| Characteristic  | Parameter  |
|---|--|
| Humidity  | 0% to 95% RH, non-condensing   |
| Shock   | 30 g, 6 ms   |
| Vibration   | 1,33 g at 10 Hz to 500 Hz  |
| ESD   | ESD IEC6100-4-2 air discharge up to 8 kV, or direct contact discharge up to 4 kV   |
| Radiated immunity:<br>20, 50, 100, 200, 300 SLPM<br>10, 15 SLPM | Level 3 from 80 MHz to 1000 MHz per IEC61000-4-3<br>1 m shielded cable with 3 cm exposed leads at connector<br>1 m shielded cable with 3 cm exposed leads at connector and 280 Ohm at MHz ferrite bead |

**Table 4. Materials Specifications**

| Characteristic        | Parameter  |
|-----------------------|--|
| Wetted materials      | glass reinforced (GR) thermoplastic polymer, gold, silicon, silicon dioxide, silicon nitride, epoxy, PCB epoxy composite |
| Housing               | GR thermoplastic polymer   |
| Substrate             | PCB  |
| Adhesives             | epoxy  |
| Electronic components | silicon, gold  |
| Compliance            | RoHS, WEEE   |

**Table 5. Recommended Mounting and Implementation**

| Characteristic        | Parameter  |
|-----------------------|--|
| Mounting screw size   | 10-32  |
| Mounting screw torque | 1,13 N m [20 in-lb]  |
| Electrical connection | 6 pin SIP connector  |
| Pneumatic connection  | manifold mount, 22 mm OD tapered male fitting, G 3/8 female threaded fitting |

# Honeywell Zephyr™ Digital Airflow Sensors

## HAF Series—High Accuracy: 10, 15, 20, 50, 100, 200, 300 SLPM

**Figure 2. Nomenclature and Order Guide<sup>1</sup>**

For example, **HAFUHM0020L4AXT** defines a Honeywell Zephyr™ Airflow Sensor, unidirectional flow, long port, manifold mount, 20 SLPM, I<sup>2</sup>C output with custom 0x49 address, 10% to 90% transfer function, 3 Vdc to 10 Vdc supply voltage.

| <b>HAF</b>                                     | <b>U</b>                | <b>HM</b>  | <b>0020</b>  | <b>L</b>      | <b>4</b>  | <b>A</b>                     | <b>X</b>                | <b>T</b>                 |   |
|--|-------------------------|--|--|---------------|---|------------------------------|-------------------------|--------------------------|---|
| Product Series                                 | Flow Direction          | Port Style   | Flow Range   | Unit          | Output Format                                   | Transfer Function            | Reserved for Future Use | Supply Voltage           |   |
| HAF Series—<br>High Accuracy<br>Airflow Sensor | <b>U</b> Unidirectional | <b>HM</b> Manifold mount                             | <b>0010</b> 10                                       | <b>L</b> SLPM | <b>2</b> Digital I <sup>2</sup> C address: 0x29 | <b>A</b> 10% to 90% of input | <b>X</b> XXXXX          | <b>T</b> 3 Vdc to 10 Vdc |   |
|  |                         |  | <b>0015</b> 15                                       |               | <b>3</b> Digital I <sup>2</sup> C address: 0x39 |                              |                         |                          |   |
|  |                         |  | <b>0020</b> 20                                       |               | <b>4</b> Digital I <sup>2</sup> C address: 0x49 |                              |                         |                          |   |
|  |                         | <b>HH</b> 22 mm OD tapered male fitting per ISO 5356 | <b>0050</b> 50                                       |               | <b>5</b> Digital I <sup>2</sup> C address: 0x59 |                              |                         |                          |   |
|  |                         |  | <b>HT</b> G 3/8 female threaded fitting per ISO 1179 |               | <b>0100</b> 100                                 |                              |                         |                          | <b>6</b> Digital I <sup>2</sup> C address: 0x69 |
|  |                         |  |  |               | <b>0200</b> 200                                 |                              |                         |                          | <b>7</b> Digital I <sup>2</sup> C address: 0x79 |
|  |                         | <b>0300</b> 300                                      |  |               |   |                              |                         |                          |   |

<sup>1</sup>Apart from the general configuration required, other customer-specific requirements are also possible. Please contact Honeywell.

**Figure 3. All Available Standard Configurations**



# Honeywell Zephyr™ Digital Airflow Sensors

HAF Series—High Accuracy: 10, 15, 20, 50, 100, 200, 300 SLPM

Figure 4. Nominal Digital Output: 10, 15, 20, 50, 100, 200, 300 SLPM

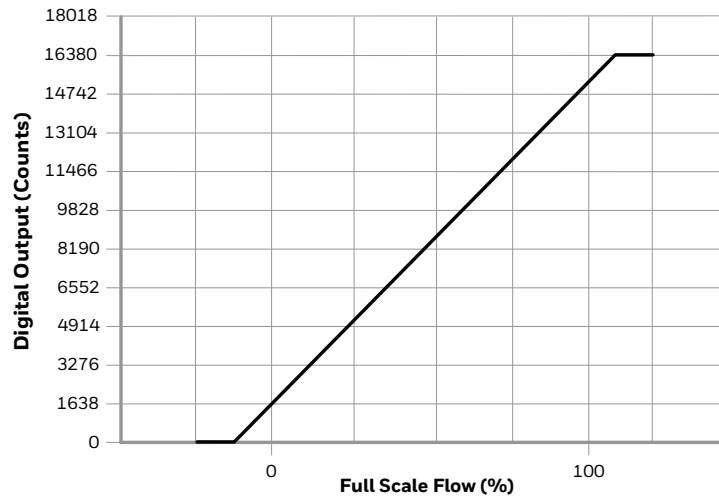
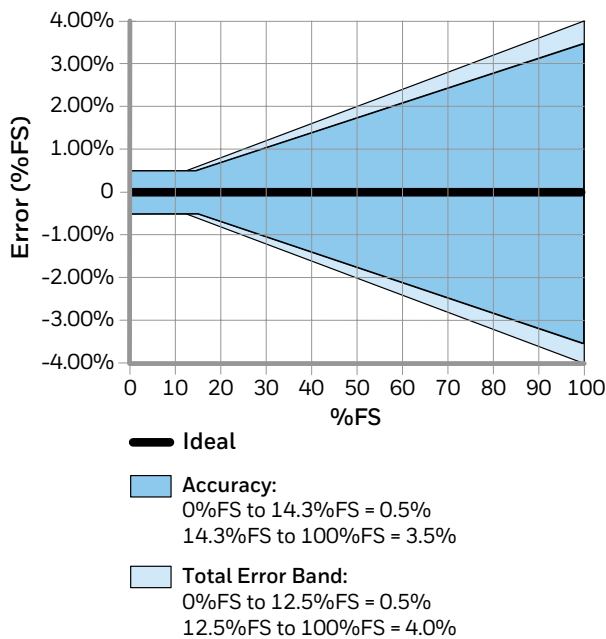
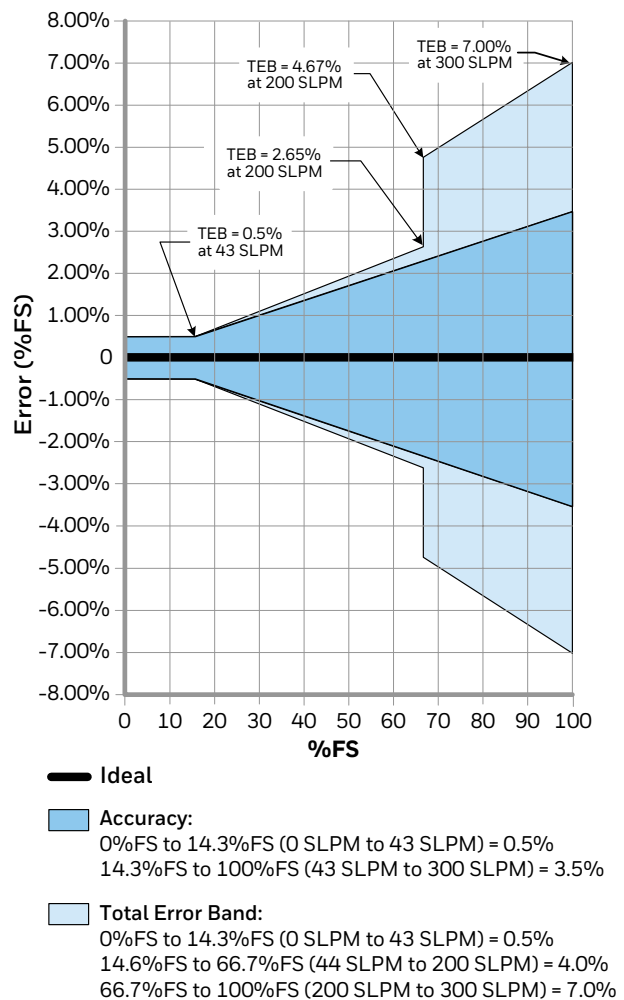


Figure 5. Accuracy and Total Error Band  
10, 15, 20, 50, 100, 200 SLPM



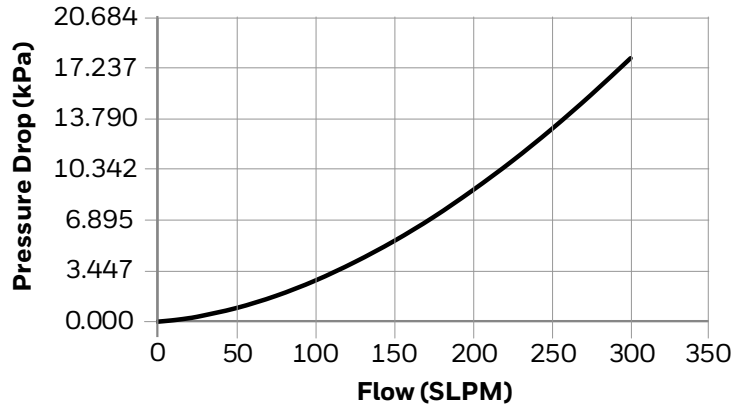
300 SLPM only



# Honeywell Zephyr™ Digital Airflow Sensors

HAF Series—High Accuracy: 10, 15, 20, 50, 100, 200, 300 SLPM

**Figure 6. Flow vs Pressure Drop: 10, 15, 20, 50, 100, 200, 300 SLPM**



| Flow (SLPM) | Typical Pressure Drop |                    |        |
|-------------|-----------------------|--------------------|--------|
|             | mbar                  | inH <sub>2</sub> O | kPa    |
| 0           | 0.000                 | 0.000              | 0.000  |
| 1           | 0.103                 | 0.042              | 0.010  |
| 2           | 0.206                 | 0.082              | 0.021  |
| 4           | 0.396                 | 0.159              | 0.040  |
| 8           | 0.803                 | 0.322              | 0.080  |
| 10          | 1.027                 | 0.412              | 0.103  |
| 12          | 1.279                 | 0.513              | 0.128  |
| 14          | 1.549                 | 0.621              | 0.155  |
| 15          | 1.686                 | 0.676              | 0.169  |
| 16          | 1.820                 | 0.730              | 0.182  |
| 18          | 2.126                 | 0.853              | 0.213  |
| 20          | 2.444                 | 0.980              | 0.244  |
| 25          | 3.320                 | 1.332              | 0.332  |
| 50          | 9.314                 | 3.736              | 0.931  |
| 75          | 17.553                | 3.736              | 1.755  |
| 100         | 27.979                | 3.736              | 2.798  |
| 125         | 40.533                | 3.736              | 4.053  |
| 150         | 54.881                | 22.017             | 5.488  |
| 175         | 71.158                | 28.546             | 7.116  |
| 200         | 89.506                | 35.907             | 8.951  |
| 225         | 109.363               | 43.873             | 10.936 |
| 250         | 131.037               | 52.568             | 13.104 |
| 275         | 154.389               | 61.936             | 15.439 |
| 300         | 179.235               | 71.904             | 17.924 |

**Table 6. Ideal Transfer Function**

| Item                | Equation  |
|---------------------|---|
| Digital Output Code | $16384 * [0.1 + 0.8 * (\text{Flow Applied}/\text{Full Scale Flow})]$      |
| Flow Applied        | $\text{Full Scale Flow} * [(\text{Digital Output Code}/16384) - 0.1]/0.8$ |

## Digital Interface

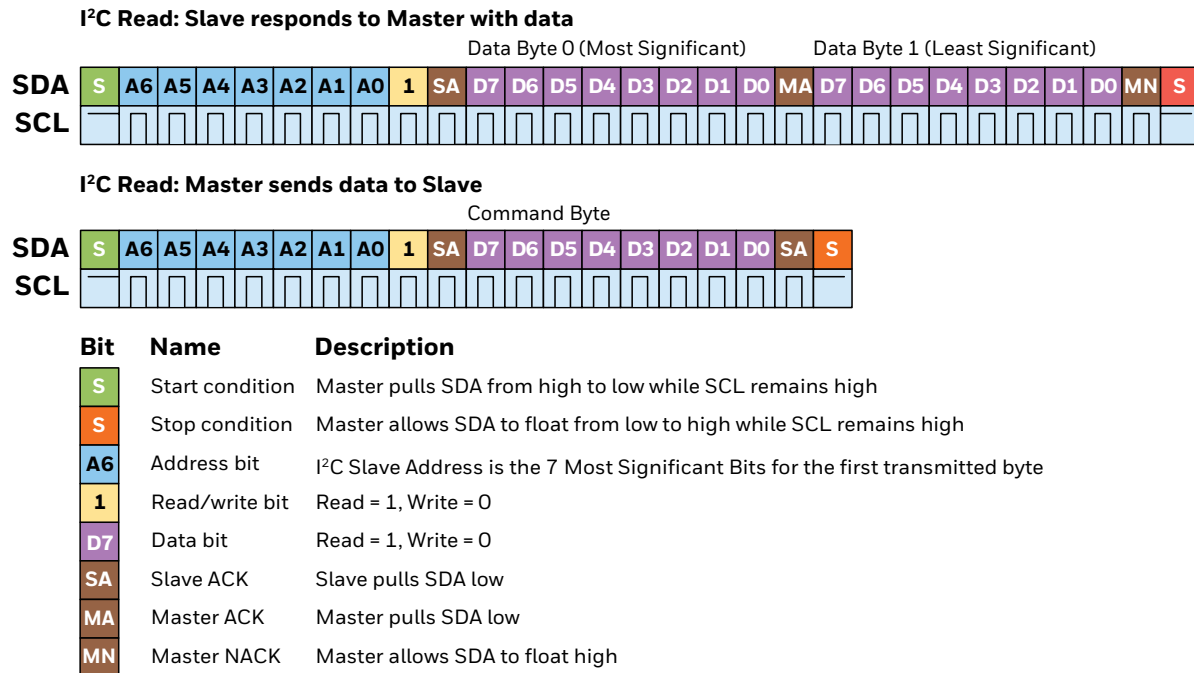
For additional details on the use of Zephyr with digital output see the Technical Note “I<sup>2</sup>C Communications with Honeywell Digital Airflow Sensors”.

The sensor uses the I<sup>2</sup>C standard for digital communication with a slave address specified in the Nomenclature and Order Guide in Figure 2. Following sensor power-up, each of the first two read sequences shown in Figure 7 will respond with 2 bytes of the unique 4-byte Serial Number. The first read after power-up will respond with the two most significant bytes of the Serial Number, while the second read will respond with the two least significant bytes of the Serial Number. For reliable performance, allow sensor to be powered for the sensor startup time before performing the first read, then allow a 10 ms command response time before performing the second read.

# Honeywell Zephyr™ Digital Airflow Sensors

## HAF Series—High Accuracy: 10, 15, 20, 50, 100, 200, 300 SLPM

Figure 7. Sensor I<sup>2</sup>C Read and Write Sequences



After the power-up read sequence described above, the sensor will respond to each I<sup>2</sup>C read request with a 16-bit (2 byte) digital flow reading. Read requests taken faster than the Response Time (1 ms) are not guaranteed to return fresh data. The first two bits of each flow reading will be '00', while non-flow responses (such as error and status codes) will begin with '11'. There are several user commands available as shown in Table 8. Following an I<sup>2</sup>C write sequence of a user command, the sensor will respond to the next I<sup>2</sup>C read request with a 16-bit response. Possible responses to user commands can be seen in Table 9.

Table 8. User Command Descriptions

| Command Byte (Hexadecimal) | Command Name    | Command Description   | Command Response Time (Max.) |
|----------------------------|-----------------|---|------------------------------|
| 0x01                       | GetSerialNumber | Next two read requests will each return two bytes of the sensor's unique 4-byte Serial Number.  | 10 ms                        |
| 0x02                       | PowerOnReset    | Force Power-On reset of sensor microcontroller.   | 20 ms                        |
| 0x03                       | Checksum        | Calculates EEPROM Checksum and compares to production Checksum value. If the values match, the next read request will respond with 0xCCA5. Otherwise, the next read will respond with 0xCC90. | 1 s                          |

Table 9. Sensor Response Descriptions

| Sensor Response (Hexadecimal) | Response Name | Response Description                           |
|-------------------------------|---------------|--|
| 0xCCA5                        | POSACK        | non-response command was executed successfully |
| 0xCC99                        | BadCommand    | command byte was not recognized                |
| 0xCC9A                        | BadParam      | command sent with incorrect parameter bytes    |
| 0xCC9B                        | Failure       | command failed during execution                |
| 0xCC90                        | BadChecksum   | checksum did not match stored value            |
| 0xCCBB                        | Busy          | sensor is busy calculating the checksum value  |

The maximum sink current on SCL or SDA is 2 mA. Therefore, if the pull-up resistors are biased by VDD, and if VDD reaches the maximum supply voltage of 6 V, then the pull-up resistors for SCL and SDA must be greater than 3.0 kOhm to limit the sink current to 2 mA. The typical value for SCL and SDA pull-up resistors is 4.7 kOhm (this value depends on the bus capacitance and the bus speed).

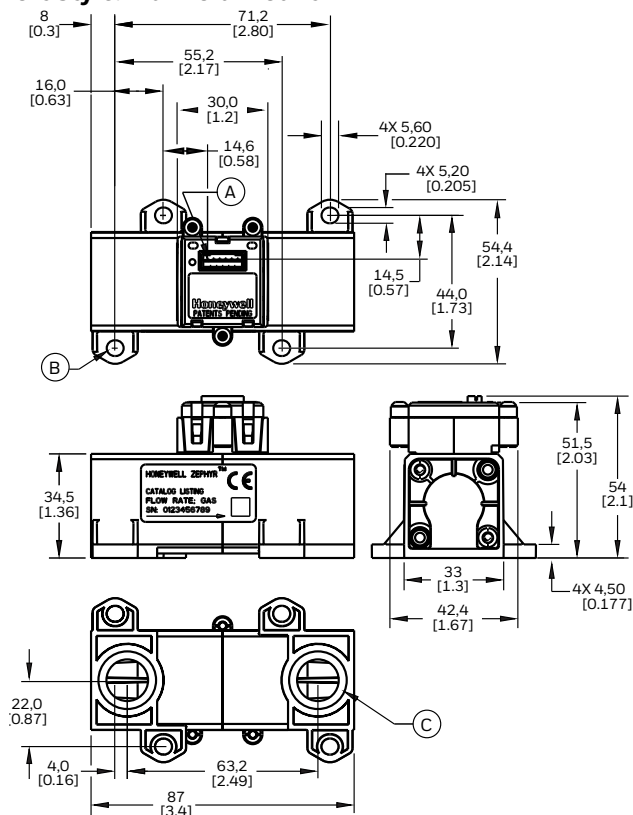


# Honeywell Zephyr™ Digital Airflow Sensors

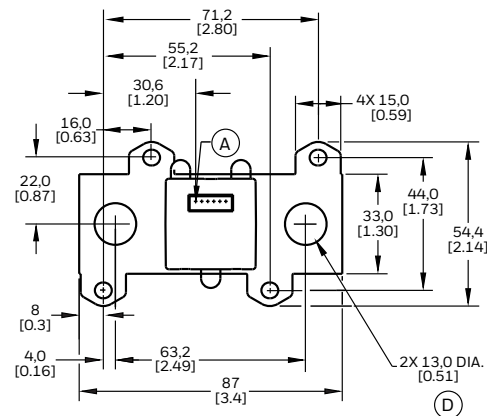
## HAF Series—High Accuracy: 10, 15, 20, 50, 100, 200, 300 SLPM

Figure 8. Mounting Dimensions (For reference only: mm [in].)

### Port Style: Manifold Mount

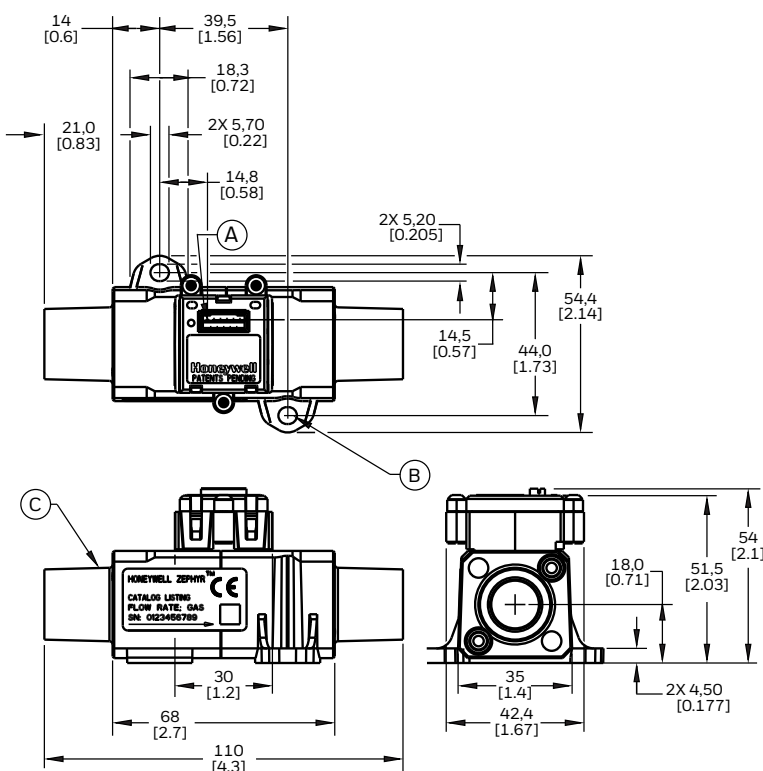


### Mounting Footprint

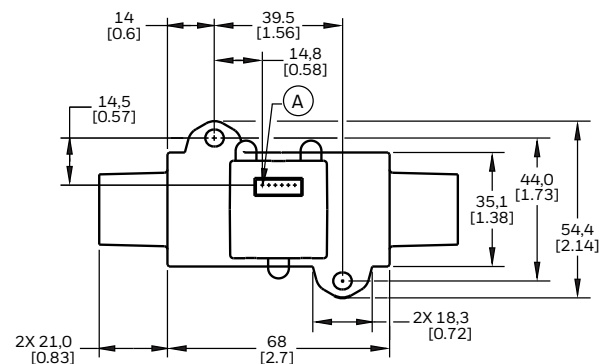


- (A) Pin 1.
- (B) 4X 10-32 pan head screws 1,13 N m [20 in-lb] torque.
- (C) 2X Gland for O-Ring AS568-113, 13,94 mm ID x 2,62 mm [0.549 in ID x 0.103 in W]. Two O-rings, AS568A-113 Durometer A65 to A80 Silicon or Viton, are required to seal sensor to manifold. O-rings are not included.
- (D) Flow channel.

### Port Style: 22 mm OD Tapered Male Fitting per ISO 5356



### Mounting Footprint



- (A) Pin 1.
- (B) 2X 10-32 pan head screws 1,13 N m [20 in-lb] torque.
- (C) 15 mm ID/22 mm OD tapered fitting per ISO 5356.

# Honeywell Zephyr™ Digital Airflow Sensors

HAF Series—High Accuracy: 10, 15, 20, 50, 100, 200, 300 SLPM

Figure 8. Mounting Dimensions (For reference only: mm [in], continued.)

Port Style: G 3/8 Female Threaded Fitting per ISO 1179

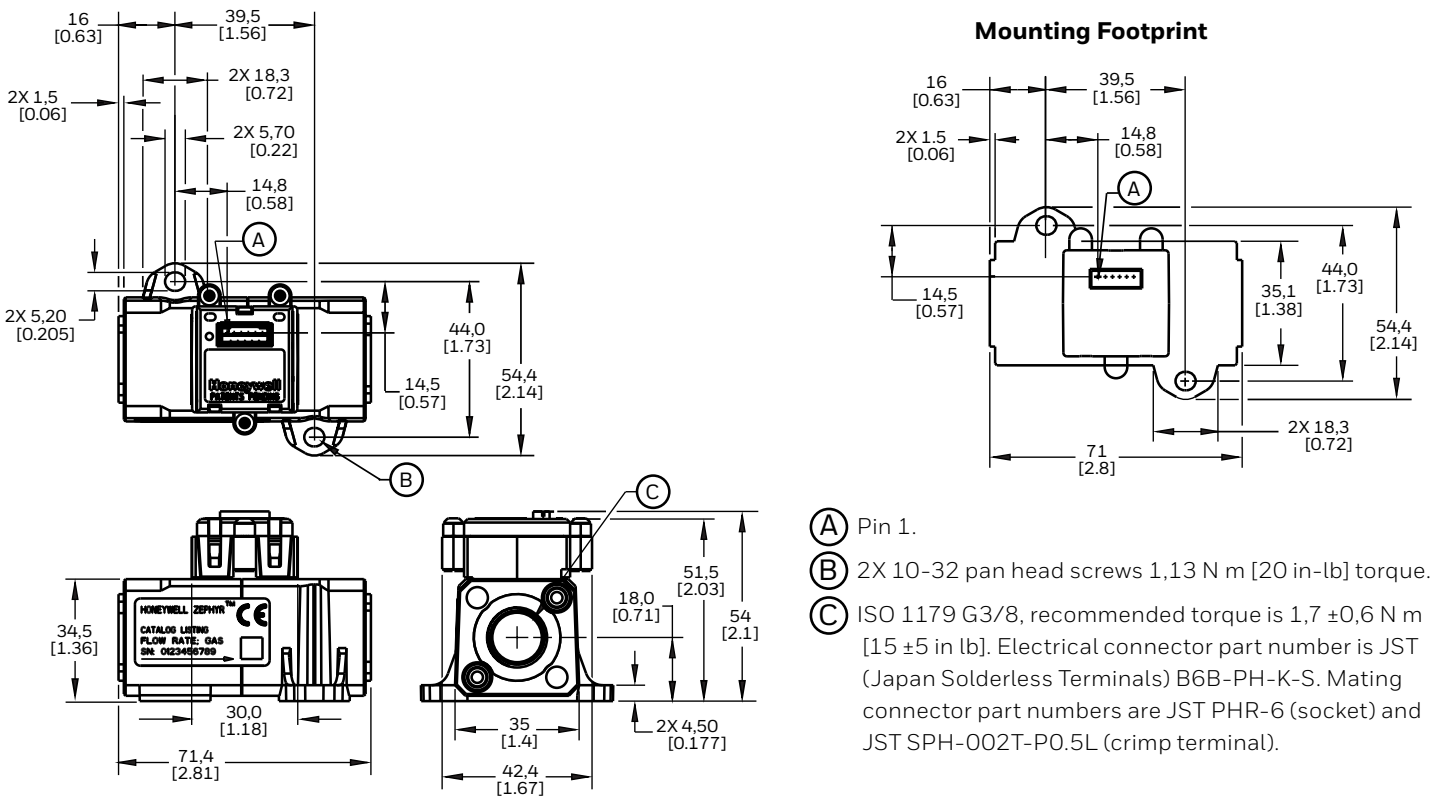


Table 7. Pinout (Digital Function)

| Pin 1 | Pin 2 | Pin 3 | Pin 4  | Pin 5 | Pin 6 |
|-------|-------|-------|--------|-------|-------|
| NC    | SCL   | VVDD  | ground | SDA   | NC    |

## ADDITIONAL INFORMATION

The following associated literature is available on the Honeywell web site at [sensing.honeywell.com](http://sensing.honeywell.com):

- Product line guide
- Product range guide
- Technical Information
  - I<sup>2</sup>C Communications with Honeywell Digital Airflow Sensors
  - Gas Media Compatibility and Correction Factors
- Application Specific Information

### **⚠ WARNING** **PERSONAL INJURY**

DO NOT USE these products as safety or emergency stop devices or in any other application where failure of the product could result in personal injury.

**Failure to comply with these instructions could result in death or serious injury.**

### **⚠ WARNING** **MISUSE OF DOCUMENTATION**

- The information presented in this datasheet is for reference only. Do not use this document as a product installation guide.
- Complete installation, operation, and maintenance information is provided in the instructions supplied with each product.

**Failure to comply with these instructions could result in death or serious injury.**

### **Warranty/Remedy**

Honeywell warrants goods of its manufacture as being free of defective materials and faulty workmanship during the applicable warranty period. Honeywell's standard product warranty applies unless agreed to otherwise by Honeywell in writing; please refer to your order acknowledgment or consult your local sales office for specific warranty details. If warranted goods are returned to Honeywell during the period of coverage, Honeywell will repair or replace, at its option, without charge those items that Honeywell, in its sole discretion, finds defective.

**The foregoing is buyer's sole remedy and is in lieu of all other warranties, expressed or implied, including those of merchantability and fitness for a particular purpose. In no event shall Honeywell be liable for consequential, special, or indirect damages.**

While Honeywell may provide application assistance personally, through our literature and the Honeywell web site, it is buyer's sole responsibility to determine the suitability of the product in the application.

Specifications may change without notice. The information we supply is believed to be accurate and reliable as of this writing. However, Honeywell assumes no responsibility for its use.

### **For more information**

Honeywell Sensing and Internet of Things services its customers through a worldwide network of sales offices and distributors. For application assistance, current specifications, pricing or the nearest Authorized Distributor, visit [sensing.honeywell.com](http://sensing.honeywell.com) or call:

Asia Pacific +65 6355-2828  
Europe +44 (0) 1698 481481  
USA/Canada +1-800-537-6945

## **Honeywell Sensing and Internet of Things**

9680 Old Baires Road  
Fort Mill, SC 29707  
[www.honeywell.com](http://www.honeywell.com)

008268-5-EN | 5 | 02/18  
© 2018 Honeywell International Inc.

# **Honeywell**

Компания «Океан Электроники» предлагает заключение долгосрочных отношений при поставках импортных электронных компонентов на взаимовыгодных условиях!

Наши преимущества:

- Поставка оригинальных импортных электронных компонентов напрямую с производств Америки, Европы и Азии, а так же с крупнейших складов мира;
- Широкая линейка поставок активных и пассивных импортных электронных компонентов (более 30 млн. наименований);
- Поставка сложных, дефицитных, либо снятых с производства позиций;
- Оперативные сроки поставки под заказ (от 5 рабочих дней);
- Экспресс доставка в любую точку России;
- Помощь Конструкторского Отдела и консультации квалифицированных инженеров;
- Техническая поддержка проекта, помощь в подборе аналогов, поставка прототипов;
- Поставка электронных компонентов под контролем ВП;
- Система менеджмента качества сертифицирована по Международному стандарту ISO 9001;
- При необходимости вся продукция военного и аэрокосмического назначения проходит испытания и сертификацию в лаборатории (по согласованию с заказчиком);
- Поставка специализированных компонентов военного и аэрокосмического уровня качества (Xilinx, Altera, Analog Devices, Intersil, Interpoint, Microsemi, Actel, Aeroflex, Peregrine, VPT, Syfer, Eurofarad, Texas Instruments, MS Kennedy, Miteq, Cobham, E2V, MA-COM, Hittite, Mini-Circuits, General Dynamics и др.);

Компания «Океан Электроники» является официальным дистрибьютором и эксклюзивным представителем в России одного из крупнейших производителей разъемов военного и аэрокосмического назначения «JONHON», а так же официальным дистрибьютором и эксклюзивным представителем в России производителя высокотехнологичных и надежных решений для передачи СВЧ сигналов «FORSTAR».



## JONHON

«JONHON» (основан в 1970 г.)

Разъемы специального, военного и аэрокосмического назначения:

(Применяются в военной, авиационной, аэрокосмической, морской, железнодорожной, горно- и нефтедобывающей отраслях промышленности)

«FORSTAR» (основан в 1998 г.)

ВЧ соединители, коаксиальные кабели, кабельные сборки и микроволновые компоненты:

(Применяются в телекоммуникациях гражданского и специального назначения, в средствах связи, РЛС, а так же военной, авиационной и аэрокосмической отраслях промышленности).



Телефон: 8 (812) 309-75-97 (многоканальный)

Факс: 8 (812) 320-03-32

Электронная почта: [ocean@oceanchips.ru](mailto:ocean@oceanchips.ru)

Web: <http://oceanchips.ru/>

Адрес: 198099, г. Санкт-Петербург, ул. Калинина, д. 2, корп. 4, лит. А