

# Type 381LR 105 °C Highest Ripple, Snap-In Aluminum

## Ultra-High Ripple Capabilities



Compared to standard 105 °C snap-ins like the Type 381L/LX Type 381LR can handle an extra 25% ripple current or more. This remarkable capability stems from advances in electrolyte that give extremely low ESR values. In high ripple current applications like motor drives you can save by using fewer capacitors.

### Highlights

- The right choice for motor drive bus capacitors
- The right choice for UPS bus capacitors
- Compare to Type 381L
- Up to 2 times the ripple current

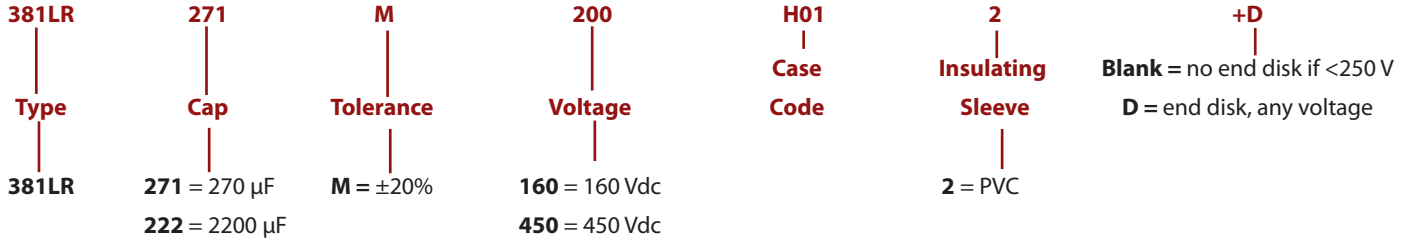
### Specifications

| Temperature Range               | -40 °C to + 105 °C ≤ 315 Vdc<br>-25 °C to + 105 °C ≥ 350 Vdc   |        |         |        |             |        |      |      |      |      |      |       |       |        |         |       |             |      |      |      |      |      |      |
|---------------------------------|--|--------|---------|--------|-------------|--------|------|------|------|------|------|-------|-------|--------|---------|-------|-------------|------|------|------|------|------|------|
| Rated Voltage Range             | 200 Vdc to 450 Vdc   |        |         |        |             |        |      |      |      |      |      |       |       |        |         |       |             |      |      |      |      |      |      |
| Capacitance Range               | 56 µF to 2,200 µF  |        |         |        |             |        |      |      |      |      |      |       |       |        |         |       |             |      |      |      |      |      |      |
| Capacitance Tolerance           | ± 20%  |        |         |        |             |        |      |      |      |      |      |       |       |        |         |       |             |      |      |      |      |      |      |
| Leakage Current                 | ≤ 3 $\sqrt{CV}$ µA, 4 mA max, 5 minutes  |        |         |        |             |        |      |      |      |      |      |       |       |        |         |       |             |      |      |      |      |      |      |
| Ripple Current Multipliers      | <p>Ambient Temperature</p> <table border="1"> <thead> <tr> <th>45 °C</th> <th>60 °C</th> <th>70 °C</th> <th>85 °C</th> <th>105 °C</th> </tr> </thead> <tbody> <tr> <td>2.35</td> <td>2.20</td> <td>2.00</td> <td>1.70</td> <td>1.00</td> </tr> </tbody> </table> <p>Frequency</p> <table border="1"> <thead> <tr> <th>50 Hz</th> <th>60 Hz</th> <th>120 Hz</th> <th>500 kHz</th> <th>1 kHz</th> <th>10 kHz &amp; Up</th> </tr> </thead> <tbody> <tr> <td>0.75</td> <td>0.80</td> <td>1.00</td> <td>1.20</td> <td>1.25</td> <td>1.40</td> </tr> </tbody> </table> | 45 °C  | 60 °C   | 70 °C  | 85 °C       | 105 °C | 2.35 | 2.20 | 2.00 | 1.70 | 1.00 | 50 Hz | 60 Hz | 120 Hz | 500 kHz | 1 kHz | 10 kHz & Up | 0.75 | 0.80 | 1.00 | 1.20 | 1.25 | 1.40 |
| 45 °C                           | 60 °C  | 70 °C  | 85 °C   | 105 °C |             |        |      |      |      |      |      |       |       |        |         |       |             |      |      |      |      |      |      |
| 2.35                            | 2.20   | 2.00   | 1.70    | 1.00   |             |        |      |      |      |      |      |       |       |        |         |       |             |      |      |      |      |      |      |
| 50 Hz                           | 60 Hz  | 120 Hz | 500 kHz | 1 kHz  | 10 kHz & Up |        |      |      |      |      |      |       |       |        |         |       |             |      |      |      |      |      |      |
| 0.75                            | 0.80   | 1.00   | 1.20    | 1.25   | 1.40        |        |      |      |      |      |      |       |       |        |         |       |             |      |      |      |      |      |      |
| Low Temperature Characteristics | Impedance ratio: $Z_{-20^{\circ}\text{C}}/Z_{+25^{\circ}\text{C}}$<br>≤ 3 (200–450Vdc)   |        |         |        |             |        |      |      |      |      |      |       |       |        |         |       |             |      |      |      |      |      |      |
| Endurance Life Test             | 3000 h at full load at 105 °C<br>Δ Capacitance ±20%<br>ESR 200% of limit<br>DCL 100% of limit  |        |         |        |             |        |      |      |      |      |      |       |       |        |         |       |             |      |      |      |      |      |      |
| Shelf Life Test                 | 1000 h at 105 °C<br>Δ Capacitance ±20%<br>ESR 200% of limit<br>DCL 100% of limit   |        |         |        |             |        |      |      |      |      |      |       |       |        |         |       |             |      |      |      |      |      |      |
| Vibration                       | 10 to 55 Hz, 0.06" and 10 g max, 2 h each plane  |        |         |        |             |        |      |      |      |      |      |       |       |        |         |       |             |      |      |      |      |      |      |
| RoHS Compliant                  |  |        |         |        |             |        |      |      |      |      |      |       |       |        |         |       |             |      |      |      |      |      |      |

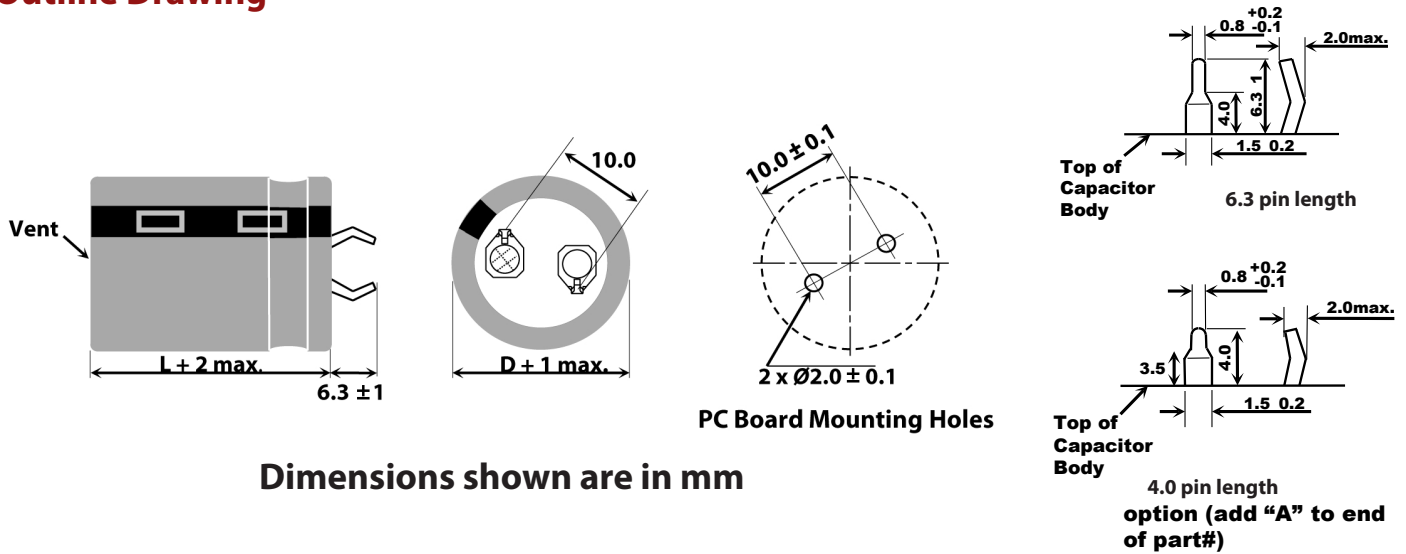
# Type 381LR 105 °C Highest Ripple, Snap-In Aluminum

## Ultra-High Ripple Capabilities

### Part Numbering System



### Outline Drawing



Note that for 200 volts and under the insulating end disc is optional - If one is needed add a (+D) to the end of the part numbering system.

### Insulated Case Dimensions

| Case Code | DIAMETER D |        | LENGTH L |        | Typical Weight (grams) | Case Code | DIAMETER D |        | LENGTH L |        | Typical Weight (grams) |
|-----------|------------|--------|----------|--------|------------------------|-----------|------------|--------|----------|--------|------------------------|
|           | mm         | inches | mm       | inches |                        |           | mm         | inches | mm       | inches |                        |
| H01       | 22         | 0.87   | 25       | 0.98   | 16                     | K01       | 30         | 1.18   | 25       | 0.98   | 30                     |
| H02       | 22         | 0.87   | 30       | 1.18   | 19                     | K02       | 30         | 1.18   | 30       | 1.18   | 35                     |
| H03       | 22         | 0.87   | 35       | 1.38   | 22                     | K03       | 30         | 1.18   | 35       | 1.38   | 40                     |
| H04       | 22         | 0.87   | 40       | 1.57   | 24                     | K04       | 30         | 1.18   | 40       | 1.57   | 44                     |
| H45       | 22         | 0.87   | 45       | 1.77   | 28                     | K45       | 30         | 1.18   | 45       | 1.77   | 49                     |
| H05       | 22         | 0.87   | 50       | 1.97   | 31                     | K05       | 30         | 1.18   | 50       | 1.97   | 53                     |
| J01       | 25         | 0.98   | 25       | 0.98   | 20                     | A01       | 35         | 1.38   | 25       | 0.98   | 42                     |
| J02       | 25         | 0.98   | 30       | 1.18   | 24                     | A02       | 35         | 1.38   | 30       | 1.18   | 48                     |
| J03       | 25         | 0.98   | 35       | 1.38   | 27                     | A03       | 35         | 1.38   | 35       | 1.38   | 54                     |
| J04       | 25         | 0.98   | 40       | 1.57   | 31                     | A04       | 35         | 1.38   | 40       | 1.57   | 60                     |
| J45       | 25         | 0.98   | 45       | 1.77   | 35                     | A45       | 35         | 1.38   | 45       | 1.77   | 67                     |
| J05       | 25         | 0.98   | 50       | 1.97   | 38                     | A05       | 35         | 1.38   | 50       | 1.97   | 74                     |
|           |            |        |          |        |                        | A55       | 35         | 1.38   | 55       | 2.17   | 80                     |

# Type 381LR 105 °C Highest Ripple, Snap-In Aluminum

## Ultra-High Ripple Capabilities

### Ratings

| Cap.<br>(µF)                   | Catalog<br>Part Number | ESR Max<br>@ 25° C |               | Ripple Amps<br>@ 105 °C |               | Nominal<br>Size<br>D x L<br>(mm) |
|--------------------------------|------------------------|--------------------|---------------|-------------------------|---------------|----------------------------------|
|                                |                        | 120 Hz<br>(Ω)      | 20 kHz<br>(Ω) | 120 Hz<br>(A)           | 20 kHz<br>(A) |                                  |
| <b>200 Vdc (250 Vdc Surge)</b> |                        |                    |               |                         |               |                                  |
| 270                            | 381LR271M200H012       | 0.553              | 0.249         | 1.42                    | 2.03          | 22 X 25                          |
| 330                            | 381LR331M200H022       | 0.452              | 0.203         | 1.56                    | 2.23          | 22 X 30                          |
| 390                            | 381LR391M200H022       | 0.383              | 0.172         | 1.71                    | 2.44          | 22 X 30                          |
| 390                            | 381LR391M200J012       | 0.383              | 0.172         | 1.71                    | 2.44          | 25 X 25                          |
| 470                            | 381LR471M200H032       | 0.317              | 0.143         | 1.85                    | 2.64          | 22 X 35                          |
| 470                            | 381LR471M200J022       | 0.317              | 0.143         | 1.85                    | 2.64          | 25 X 30                          |
| 560                            | 381LR561M200H042       | 0.266              | 0.120         | 2.14                    | 3.05          | 22 X 40                          |
| 560                            | 381LR561M200J022       | 0.266              | 0.120         | 2.14                    | 3.05          | 25 X 30                          |
| 560                            | 381LR561M200K012       | 0.266              | 0.120         | 2.14                    | 3.05          | 30 X 25                          |
| 680                            | 381LR681M200H452       | 0.219              | 0.099         | 2.42                    | 3.45          | 22 X 45                          |
| 680                            | 381LR681M200J032       | 0.219              | 0.099         | 2.42                    | 3.45          | 25 X 35                          |
| 680                            | 381LR681M200K022       | 0.219              | 0.099         | 2.42                    | 3.45          | 30 X 30                          |
| 820                            | 381LR821M200H052       | 0.182              | 0.082         | 2.63                    | 3.76          | 22 X 50                          |
| 820                            | 381LR821M200J042       | 0.182              | 0.082         | 2.63                    | 3.76          | 25 X 40                          |
| 820                            | 381LR821M200K022       | 0.182              | 0.082         | 2.63                    | 3.76          | 30 X 30                          |
| 820                            | 381LR821M200A012       | 0.182              | 0.082         | 2.63                    | 3.76          | 35 X 25                          |
| 1000                           | 381LR102M200J452       | 0.149              | 0.067         | 2.84                    | 4.06          | 25 X 45                          |
| 1000                           | 381LR102M200K032       | 0.149              | 0.067         | 2.84                    | 4.06          | 30 X 35                          |
| 1000                           | 381LR102M200A022       | 0.149              | 0.067         | 2.84                    | 4.06          | 35 X 30                          |
| 1200                           | 381LR122M200K042       | 0.124              | 0.062         | 3.13                    | 4.47          | 30 X 40                          |
| 1200                           | 381LR122M200A032       | 0.124              | 0.062         | 3.13                    | 4.47          | 35 X 35                          |
| 1500                           | 381LR152M200K052       | 0.099              | 0.050         | 3.56                    | 5.06          | 30 X 50                          |
| 1500                           | 381LR152M200A042       | 0.099              | 0.050         | 3.56                    | 5.06          | 35 X 40                          |
| 1800                           | 381LR182M200A452       | 0.083              | 0.041         | 3.84                    | 5.48          | 35 X 45                          |
| 2200                           | 381LR222M200A052       | 0.066              | 0.040         | 4.12                    | 5.89          | 35 X 50                          |
| <b>250 Vdc (300 Vdc Surge)</b> |                        |                    |               |                         |               |                                  |
| 220                            | 381LR221M250H022       | 0.678              | 0.305         | 1.28                    | 1.83          | 22 X 30                          |
| 270                            | 381LR271M250H022       | 0.553              | 0.249         | 1.42                    | 2.03          | 22 X 30                          |
| 270                            | 381LR271M250J012       | 0.553              | 0.249         | 1.42                    | 2.03          | 25 X 25                          |
| 330                            | 381LR331M250H032       | 0.452              | 0.203         | 1.64                    | 2.34          | 22 X 35                          |
| 330                            | 381LR331M250J022       | 0.452              | 0.203         | 1.64                    | 2.34          | 25 X 30                          |
| 390                            | 381LR391M250H042       | 0.383              | 0.172         | 1.72                    | 2.45          | 22 X 40                          |
| 390                            | 381LR391M250J022       | 0.383              | 0.172         | 1.72                    | 2.45          | 25 X 30                          |
| 390                            | 381LR391M250K012       | 0.383              | 0.172         | 1.72                    | 2.45          | 30 X 25                          |
| 470                            | 381LR471M250H452       | 0.317              | 0.143         | 1.85                    | 2.64          | 22 X 45                          |
| 470                            | 381LR471M250J032       | 0.317              | 0.143         | 1.85                    | 2.64          | 25 X 35                          |
| 470                            | 381LR471M250K022       | 0.317              | 0.143         | 1.85                    | 2.64          | 30 X 30                          |
| 560                            | 381LR561M250J042       | 0.266              | 0.120         | 2.14                    | 3.05          | 25 X 40                          |
| 560                            | 381LR561M250K022       | 0.266              | 0.120         | 2.14                    | 3.05          | 30 X 30                          |
| 560                            | 381LR561M250A012       | 0.266              | 0.120         | 2.14                    | 3.05          | 35 X 25                          |
| 680                            | 381LR681M250J452       | 0.219              | 0.099         | 2.42                    | 3.45          | 25 X 45                          |

| Cap.<br>(µF)                   | Catalog<br>Part Number | ESR Max<br>@ 25° C |               | Ripple Amps<br>@ 105 °C |               | Nominal<br>Size<br>D x L<br>(mm) |
|--------------------------------|------------------------|--------------------|---------------|-------------------------|---------------|----------------------------------|
|                                |                        | 120 Hz<br>(Ω)      | 20 kHz<br>(Ω) | 120 Hz<br>(A)           | 20 kHz<br>(A) |                                  |
| <b>250 Vdc (300 Vdc Surge)</b> |                        |                    |               |                         |               |                                  |
| 680                            | 381LR681M250K032       | 0.219              | 0.099         | 2.42                    | 3.45          | 30 X 35                          |
| 680                            | 381LR681M250A022       | 0.219              | 0.099         | 2.42                    | 3.45          | 35 X 30                          |
| 820                            | 381LR821M250K042       | 0.182              | 0.082         | 2.63                    | 3.76          | 30 X 40                          |
| 820                            | 381LR821M250A032       | 0.182              | 0.082         | 2.63                    | 3.76          | 35 X 35                          |
| 1000                           | 381LR102M250K052       | 0.149              | 0.067         | 2.84                    | 4.06          | 30 X 50                          |
| 1000                           | 381LR102M250A042       | 0.149              | 0.067         | 2.84                    | 4.06          | 35 X 40                          |
| 1200                           | 381LR122M250A452       | 0.124              | 0.062         | 3.13                    | 4.47          | 35 X 45                          |
| 1500                           | 381LR152M250A052       | 0.099              | 0.050         | 3.56                    | 5.06          | 35 X 50                          |
| <b>400 Vdc (450 Vdc Surge)</b> |                        |                    |               |                         |               |                                  |
| 82                             | 381LR820M400H012       | 1.617              | 0.728         | 0.8                     | 1.14          | 22 X 25                          |
| 100                            | 381LR101M400H022       | 1.326              | 0.597         | 0.91                    | 1.3           | 22 X 30                          |
| 100                            | 381LR101M400J012       | 1.960              | 0.960         | 0.91                    | 1.3           | 25 X 25                          |
| 120                            | 381LR121M400H032       | 1.105              | 0.497         | 1.02                    | 1.46          | 22 X 35                          |
| 120                            | 381LR121M400J022       | 1.105              | 0.497         | 1.02                    | 1.46          | 25 X 30                          |
| 150                            | 381LR151M400H042       | 1.105              | 0.387         | 1.07                    | 1.53          | 22 X 40                          |
| 150                            | 381LR151M400J022       | 1.105              | 0.387         | 1.07                    | 1.53          | 25 X 30                          |
| 150                            | 381LR151M400K012       | 1.105              | 0.387         | 1.07                    | 1.53          | 30 X 25                          |
| 180                            | 381LR181M400H452       | 0.737              | 0.322         | 1.12                    | 1.6           | 22 X 45                          |
| 180                            | 381LR181M400J032       | 0.737              | 0.322         | 1.12                    | 1.6           | 25 X 35                          |
| 180                            | 381LR181M400K022       | 0.737              | 0.322         | 1.12                    | 1.6           | 30 X 30                          |
| 220                            | 381LR221M400H052       | 0.603              | 0.271         | 1.42                    | 2.03          | 22 X 50                          |
| 220                            | 381LR221M400J042       | 0.603              | 0.271         | 1.42                    | 2.03          | 25 X 40                          |
| 220                            | 381LR221M400K022       | 0.603              | 0.271         | 1.42                    | 2.03          | 30 X 30                          |
| 220                            | 381LR221M400A012       | 0.603              | 0.271         | 1.42                    | 2.03          | 35 X 25                          |
| 270                            | 381LR271M400J452       | 0.491              | 0.221         | 1.56                    | 2.23          | 25 X 45                          |
| 270                            | 381LR271M400K032       | 0.491              | 0.221         | 1.56                    | 2.23          | 30 X 35                          |
| 270                            | 381LR271M400A022       | 0.491              | 0.221         | 1.56                    | 2.23          | 35 X 30                          |
| 330                            | 381LR331M400K042       | 0.402              | 0.181         | 1.71                    | 2.44          | 30 X 40                          |
| 330                            | 381LR331M400A022       | 0.402              | 0.181         | 1.71                    | 2.44          | 35 X 30                          |
| 390                            | 381LR391M400K452       | 0.34               | 0.153         | 1.85                    | 2.64          | 30 X 45                          |
| 390                            | 381LR391M400A032       | 0.34               | 0.153         | 1.85                    | 2.64          | 35 X 35                          |
| 470                            | 381LR471M400A042       | 0.282              | 0.127         | 2.01                    | 2.87          | 35 X 40                          |
| 560                            | 381LR561M400A452       | 0.237              | 0.107         | 2.35                    | 3.36          | 35 X 45                          |
| <b>420 Vdc (470 Vdc Surge)</b> |                        |                    |               |                         |               |                                  |
| 68                             | 381LR680M420H012       | 1.95               | 0.878         | 0.76                    | 1.08          | 22 X 25                          |
| 82                             | 381LR820M420H022       | 1.617              | 0.728         | 0.8                     | 1.14          | 22 X 30                          |
| 82                             | 381LR820M420J012       | 1.617              | 0.728         | 0.8                     | 1.14          | 25 X 25                          |
| 100                            | 381LR101M420H022       | 1.326              | 0.597         | 0.91                    | 1.3           | 22 X 30                          |
| 100                            | 381LR101M420J012       | 1.326              | 0.597         | 0.91                    | 1.3           | 25 X 25                          |
| 120                            | 381LR121M420H032       | 1.105              | 0.497         | 1.02                    | 1.46          | 22 X 35                          |
| 120                            | 381LR121M420J022       | 1.105              | 0.497         | 1.02                    | 1.46          | 25 X 30                          |

# Type 381LR 105 °C Highest Ripple, Snap-In Aluminum

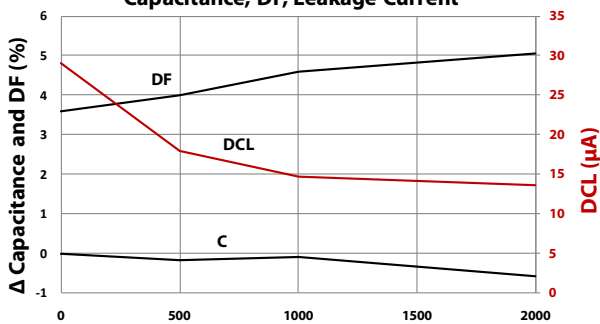
## Ultra-High Ripple Capabilities

| Cap.<br>(µF)                   | Catalog<br>Part Number | ESR Max<br>@ 25° C |               | Ripple Amps<br>@ 105 °C |               | Nominal<br>Size<br>D x L<br>(mm) |
|--------------------------------|------------------------|--------------------|---------------|-------------------------|---------------|----------------------------------|
|                                |                        | 120 Hz<br>(Ω)      | 20 kHz<br>(Ω) | 120 Hz<br>(A)           | 20 kHz<br>(A) |                                  |
| <b>420 Vdc (470 Vdc Surge)</b> |                        |                    |               |                         |               |                                  |
| 150                            | 381LR151M420K012       | 0.884              | 0.398         | 1.07                    | 1.53          | 30 X 25                          |
| 180                            | 381LR181M420H452       | 0.737              | 0.332         | 1.12                    | 1.6           | 22 X 45                          |
| 180                            | 381LR181M420J042       | 0.737              | 0.332         | 1.12                    | 1.6           | 25 X 40                          |
| 180                            | 381LR181M420K022       | 0.737              | 0.332         | 1.12                    | 1.6           | 30 X 30                          |
| 180                            | 381LR181M420A012       | 0.737              | 0.332         | 1.12                    | 1.6           | 35 X 25                          |
| 220                            | 381LR221M420J452       | 0.603              | 0.271         | 1.42                    | 2.03          | 25 X 45                          |
| 220                            | 381LR221M420K032       | 0.603              | 0.271         | 1.42                    | 2.03          | 30 X 35                          |
| 220                            | 381LR221M420A022       | 0.603              | 0.271         | 1.42                    | 2.03          | 35 X 30                          |
| 270                            | 381LR271M420J052       | 0.491              | 0.221         | 1.68                    | 2.4           | 25 X 50                          |
| 270                            | 381LR271M420K042       | 0.491              | 0.221         | 1.68                    | 2.4           | 30 X 40                          |
| 270                            | 381LR271M420A022       | 0.491              | 0.221         | 1.68                    | 2.4           | 35 X 30                          |
| 330                            | 381LR331M420K452       | 0.402              | 0.181         | 1.78                    | 2.54          | 30 X 45                          |
| 330                            | 381LR331M420A032       | 0.402              | 0.181         | 1.78                    | 2.54          | 35 X 35                          |
| 390                            | 381LR391M420K052       | 0.34               | 0.153         | 1.91                    | 2.73          | 30 X 50                          |
| 390                            | 381LR391M420A042       | 0.34               | 0.153         | 1.91                    | 2.73          | 35 X 40                          |
| 470                            | 381LR471M420A452       | 0.282              | 0.127         | 2.23                    | 3.18          | 35 X 45                          |
| <b>450 Vdc (500 Vdc Surge)</b> |                        |                    |               |                         |               |                                  |
| 56                             | 381LR560M450H012       | 2.368              | 1.066         | 0.67                    | 0.95          | 22 X 25                          |
| 68                             | 381LR680M450H022       | 1.95               | 0.878         | 0.76                    | 1.08          | 22 X 30                          |
| 68                             | 381LR680M450J012       | 1.95               | 0.878         | 0.76                    | 1.08          | 25 X 25                          |
| 82                             | 381LR820M450H022       | 1.617              | 0.728         | 0.8                     | 1.14          | 22 X 30                          |
| 82                             | 381LR820M450J012       | 1.617              | 0.728         | 0.8                     | 1.14          | 25 X 25                          |

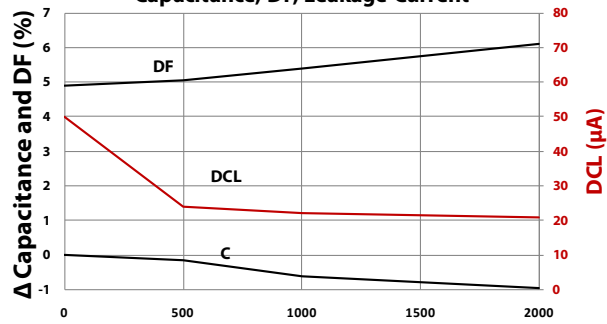
| Cap.<br>(µF)                   | Catalog<br>Part Number | ESR Max<br>@ 25° C |               | Ripple Amps<br>@ 105 °C |               | Nominal<br>Size<br>D x L<br>(mm) |
|--------------------------------|------------------------|--------------------|---------------|-------------------------|---------------|----------------------------------|
|                                |                        | 120 Hz<br>(Ω)      | 20 kHz<br>(Ω) | 120 Hz<br>(A)           | 20 kHz<br>(A) |                                  |
| <b>450 Vdc (500 Vdc Surge)</b> |                        |                    |               |                         |               |                                  |
| 100                            | 381LR101M450H032       | 1.326              | 0.597         | 0.91                    | 1.3           | 22 X 35                          |
| 100                            | 381LR101M450J022       | 1.326              | 0.597         | 0.91                    | 1.3           | 25 X 30                          |
| 120                            | 381LR121M450H042       | 1.105              | 0.497         | 1.02                    | 1.46          | 22 X 40                          |
| 120                            | 381LR121M450J032       | 1.105              | 0.497         | 1.02                    | 1.46          | 25 X 35                          |
| 120                            | 381LR121M450K012       | 1.105              | 0.497         | 1.02                    | 1.46          | 30 X 25                          |
| 150                            | 381LR151M450H452       | 0.884              | 0.396         | 1.07                    | 1.53          | 22 X 45                          |
| 150                            | 381LR151M450J042       | 0.884              | 0.396         | 1.07                    | 1.53          | 25 X 40                          |
| 150                            | 381LR151M450K022       | 0.884              | 0.396         | 1.07                    | 1.53          | 30 X 30                          |
| 150                            | 381LR151M450A012       | 0.884              | 0.396         | 1.07                    | 1.53          | 35 X 25                          |
| 180                            | 381LR181M450H052       | 0.737              | 0.332         | 1.12                    | 1.6           | 22 X 50                          |
| 180                            | 381LR181M450J042       | 0.737              | 0.332         | 1.12                    | 1.6           | 25 X 40                          |
| 180                            | 381LR181M450K022       | 0.737              | 0.332         | 1.12                    | 1.6           | 30 X 30                          |
| 180                            | 381LR181M450A012       | 0.737              | 0.332         | 1.12                    | 1.6           | 35 X 25                          |
| 220                            | 381LR221M450J452       | 0.603              | 0.271         | 1.42                    | 2.03          | 25 X 45                          |
| 220                            | 381LR221M450K032       | 0.603              | 0.271         | 1.42                    | 2.03          | 30 X 35                          |
| 220                            | 381LR221M450A022       | 0.603              | 0.271         | 1.42                    | 2.03          | 35 X 30                          |
| 270                            | 381LR271M450K042       | 0.491              | 0.221         | 1.72                    | 2.45          | 30 X 40                          |
| 270                            | 381LR271M450A032       | 0.491              | 0.221         | 1.72                    | 2.45          | 35 X 35                          |
| 330                            | 381LR331M450K052       | 0.402              | 0.181         | 1.85                    | 2.64          | 30 X 50                          |
| 330                            | 381LR331M450A042       | 0.402              | 0.181         | 1.85                    | 2.64          | 35 X 40                          |
| 390                            | 381LR391M450A042       | 0.34               | 0.153         | 1.97                    | 2.82          | 35 X 40                          |
| 470                            | 381LR471M450A052       | 0.282              | 0.127         | 2.47                    | 3.53          | 35 X 50                          |

## Typical Performance Curves

Life Test 105 °C, Full Load, 220 µF, 400 Vdc  
Capacitance, DF, Leakage Current

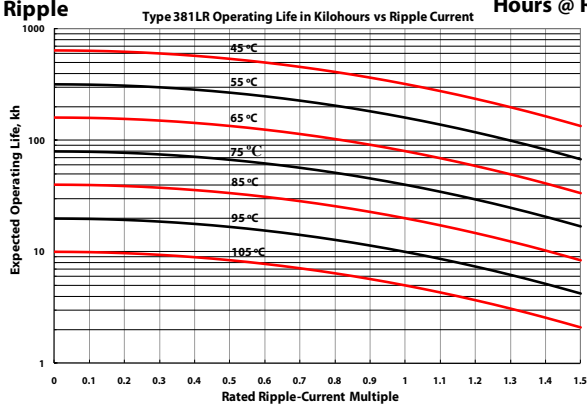


Life Test 105 °C, Full Load, 330 µF, 400 Vdc  
Capacitance, DF, Leakage Current



Hours @ Rated Max Temp, Voltage, Ripple

Hours @ Rated Max Temp, Voltage, Ripple



Компания «Океан Электроники» предлагает заключение долгосрочных отношений при поставках импортных электронных компонентов на взаимовыгодных условиях!

Наши преимущества:

- Поставка оригинальных импортных электронных компонентов напрямую с производств Америки, Европы и Азии, а так же с крупнейших складов мира;
- Широкая линейка поставок активных и пассивных импортных электронных компонентов (более 30 млн. наименований);
- Поставка сложных, дефицитных, либо снятых с производства позиций;
- Оперативные сроки поставки под заказ (от 5 рабочих дней);
- Экспресс доставка в любую точку России;
- Помощь Конструкторского Отдела и консультации квалифицированных инженеров;
- Техническая поддержка проекта, помощь в подборе аналогов, поставка прототипов;
- Поставка электронных компонентов под контролем ВП;
- Система менеджмента качества сертифицирована по Международному стандарту ISO 9001;
- При необходимости вся продукция военного и аэрокосмического назначения проходит испытания и сертификацию в лаборатории (по согласованию с заказчиком);
- Поставка специализированных компонентов военного и аэрокосмического уровня качества (Xilinx, Altera, Analog Devices, Intersil, Interpoint, Microsemi, Actel, Aeroflex, Peregrine, VPT, Syfer, Eurofarad, Texas Instruments, MS Kennedy, Miteq, Cobham, E2V, MA-COM, Hittite, Mini-Circuits, General Dynamics и др.);

Компания «Океан Электроники» является официальным дистрибьютором и эксклюзивным представителем в России одного из крупнейших производителей разъемов военного и аэрокосмического назначения «JONHON», а так же официальным дистрибьютором и эксклюзивным представителем в России производителя высокотехнологичных и надежных решений для передачи СВЧ сигналов «FORSTAR».



## JONHON

«JONHON» (основан в 1970 г.)

Разъемы специального, военного и аэрокосмического назначения:

(Применяются в военной, авиационной, аэрокосмической, морской, железнодорожной, горно- и нефтедобывающей отраслях промышленности)

«FORSTAR» (основан в 1998 г.)

ВЧ соединители, коаксиальные кабели, кабельные сборки и микроволновые компоненты:

(Применяются в телекоммуникациях гражданского и специального назначения, в средствах связи, РЛС, а так же военной, авиационной и аэрокосмической отраслях промышленности).



Телефон: 8 (812) 309-75-97 (многоканальный)

Факс: 8 (812) 320-03-32

Электронная почта: [ocean@oceanchips.ru](mailto:ocean@oceanchips.ru)

Web: <http://oceanchips.ru/>

Адрес: 198099, г. Санкт-Петербург, ул. Калинина, д. 2, корп. 4, лит. А