

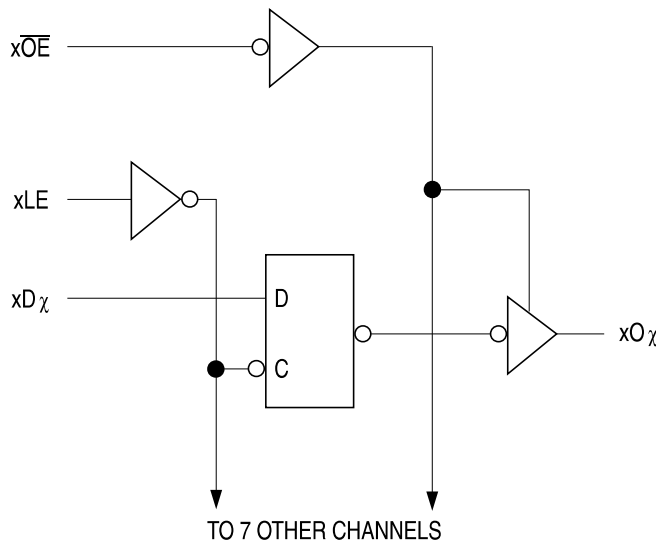
Features

- Fastest Propagation Speeds in the Industry T_{PD} (F grade) = 2.5 ns, T_{PD} (G grade) = 2.0 ns
- Maximum derating for capacitive loads 1.5ns/100 pF (F grade) and 1.1ns/100 pF (G grade)
- Very low ground bounce < 0.6V @ $V_{CC}=5.00V$, $T_a=25^\circ C$
- Excellent noise rejection
- Typical output skew $\leq 0.25ns$
- Bus Hold circuitry to retain last active state during Tri-state™
- Available in SSOP and TSSOP packages

Description

Atmel's AT16373 devices provide maximum speed in temporary data storage. They can be operated as either two separate 8 bit latches or as a single 16-bit latch by use of the output enable and the latch enable. The AT16373 has very low ground bounce and excellent input noise rejection, giving the user stable signals in a high speed environment. These devices can drive very large loads while operating in a high speed transparent mode.

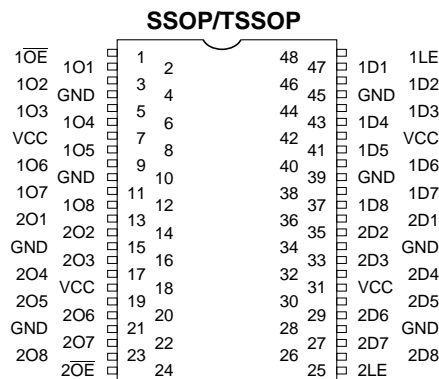
Functional Block Diagram ⁽¹⁾



Note: 1. This 8-bit latch function is repeated a second time on each device.

Pin Configurations

Pin Names	Descriptions
\overline{xOE}	Output Enable Input (Active Low)
xLE	Latch Enable Inputs (Active High)
xD_χ	Data Inputs
xO_χ	Tri-State Outputs



Top View

AT16373 Fast Logic™ 16-Bit Transparent Latch

AT16373F AT16373G

Function Table⁽¹⁾

Inputs			Outputs
$\overline{x}D\chi$	$\overline{x}LE$	$\overline{x}OE$	$\overline{x}O\chi$
H	H	L	H
L	H	L	L
X	X	H	Z

Note: 1. X = Don't Care, Z = High Impedance

Absolute Maximum Ratings*

Operating Temperature.....	0°C to +70°C
Storage Temperature.....	-65°C to +150°C
Voltage on any Pin with Respect to Ground.....	-2.0V to +7.0V ⁽¹⁾
Maximum Operating Voltage.....	6.0V

*NOTICE: Stresses beyond those listed under "Absolute Maximum Ratings" may cause permanent damage to the device. This is a stress rating only and functional operation of the device at these or any other conditions beyond those indicated in the operational sections of this specification is not implied. Exposure to absolute maximum rating conditions for extended periods may affect device reliability.

Notes: 1. Minimum voltage is -0.6V dc which may undershoot to -2.0V for pulses of less than 20 ns. Maximum output pin voltage is $V_{CC} + 0.75V$ dc which may overshoot to +7.0V for pulses of less than 20 ns.

5.0 Volt DC Characteristics

Applicable over recommended operating range from $T_a = 0^\circ\text{C}$ to $+70^\circ\text{C}$, $V_{CC} = +5.0V \pm 5\%$ (unless otherwise noted)

Symbol	Parameter	Test Conditions	Min	Typ	Max	Units
ΔI_{CC}	Quiescent Power Supply Current	$V_{CC} = \text{Max}$, $V_{IN} = 3.4V$		0.8	1.2	mA
V_{IH}	Input High Voltage		2.0			V
V_{IL}	Input Low Voltage				0.8	V
I_{IH}	Input High Current	$V_{IN} = V_{CC}$			± 15	μA
I_{IL}	Input Low Current	$V_{IN} = \text{GND}$			± 15	μA
I_{OZ}	Output Leakage Current				± 10	μA
$V_{OH(1)}$	Output High Voltage F Grade only	$V_{CC} = 4.75V$ $I_{OH} = -10 \text{ mA}$	2.7			V
$V_{OH(2)}$	Output High Voltage G Grade only	$V_{CC} = 4.75V$ $I_{OH} = -12 \text{ mA}$	2.7			V
V_{OL}	Output Low Voltage (F Grade)	$I_{OL} = 10 \text{ mA}$			0.55	V
V_{OL}	Output Low Voltage (G Grade)	$I_{OL} = 12 \text{ mA}$			0.55	V

Note: 1. F grade: At $V_{CC(\text{max})}$, the value of $V_{OH(\text{max})} = 3.75V$ and at $V_{CC(\text{min})}$, $V_{OH(\text{max})} = 3.25V$
 2. G grade: At $V_{CC(\text{max})}$, the value of $V_{OH(\text{max})} = 3.75V$ and at $V_{CC(\text{min})}$, $V_{OH(\text{max})} = 3.35V$

AC Characteristics AT16373F

Applicable over recommended operating range from $T_a = 0^\circ\text{C}$ to $+70^\circ\text{C}$, $V_{CC} = 5.0\text{V} \pm 5\%$ (unless otherwise noted)

Symbol	Parameter	Test Conditions ⁽¹⁾	Min	Typ	Max	Units
t _{PHL} t _{PLH}	Propagation Delay xD _χ to xO _χ	C _L = 50 pF			2.5	ns
t _{PHL} t _{PLH}	Propagation Delay xLE to xO _χ	C _L = 50 pF			5.5	ns
t _{PZH} t _{PZL}	Output Enable	C _L = 50 pF			8.8	ns
t _{PHZ} t _{PLZ}	Output Disable	C _L = 50 pF			6.5	ns
t _{SK} (2)	Output Skew	C _L = 50 pF			0.5	ns
Δt _{PHL} (2) Δt _{PLH}	Propagation Delay vs Output Loading			1.3	1.5	ns/100 pF
t _{su}	Set-up Time	C _L = 50 pF	2.0			ns
t _H	Hold Time	C _L = 50 pF	2.0			ns

Note: 1. See test circuit and waveforms.
2. This parameter is guaranteed but not 100% tested.

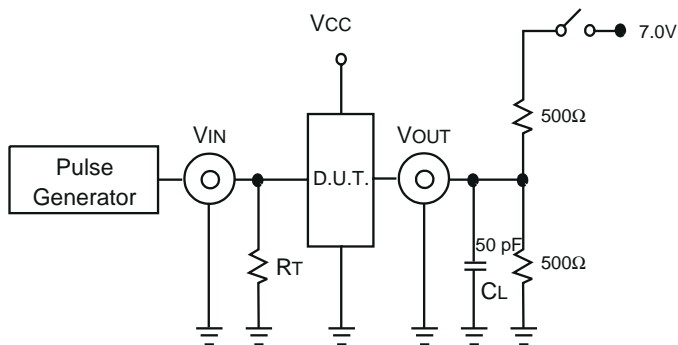
AT16373G

Applicable over recommended operating range from $T_a = 0^\circ\text{C}$ to $+70^\circ\text{C}$, $V_{CC} = 5.0\text{V} \pm 5\%$ (unless otherwise noted)

Symbol	Parameter	Test Conditions ⁽¹⁾	Min	Typ	Max	Units
t _{PHL} t _{PLH}	Propagation Delay xD _χ to xO _χ	C _L = 50 pF			2.0	ns
t _{PHL} t _{PLH}	Propagation Delay xLE to xO _χ	C _L = 50 pF			5.0	ns
t _{PZH} t _{PZL}	Output Enable	C _L = 50 pF			8.8	ns
t _{PHZ} t _{PLZ}	Output Disable	C _L = 50 pF			6.0	ns
t _{SK} (2)	Output Skew	C _L = 50 pF			0.5	ns
Δt _{PHL} (2) Δt _{PLH}	Propagation Delay vs Output Loading			0.9	1.1	ns/100 pF
t _{su}	Set-up Time	C _L = 50 pF	2.0			ns
t _H	Hold Time	C _L = 50 pF	2.0			ns

Note: 1. See test circuit and waveforms.
2. This parameter is guaranteed but not 100% tested.

Test Circuits^(1,2)



- Note: 1. Pulse Generator: Rate ≤ 1.0 MHz, $t_F \leq 2.5$ ns, $t_R \leq 2.5$ ns.
 2. AC tests are done with a single bit switching, and timings need to be derated when multiple outputs are switching in the same direction simultaneously. This derating should not exceed 0.5 ns for 16 inputs switching simultaneously.

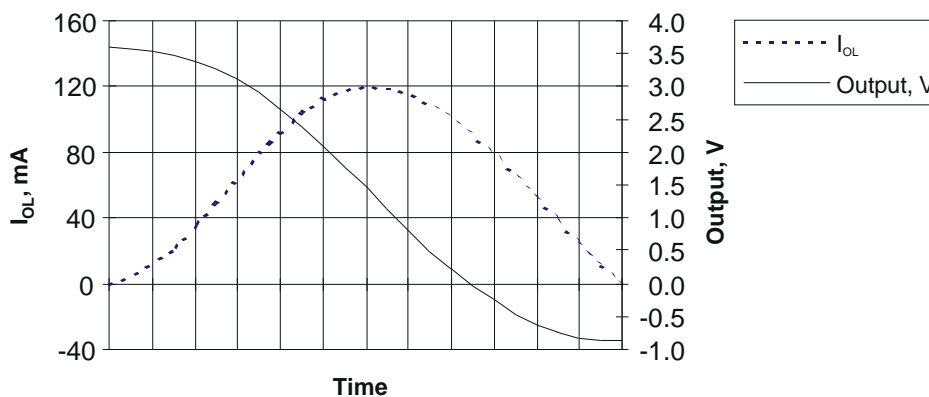
Switch Position

Test	Switch
Open Drain Disable Low Enable Low	Closed
All Other Tests	Open

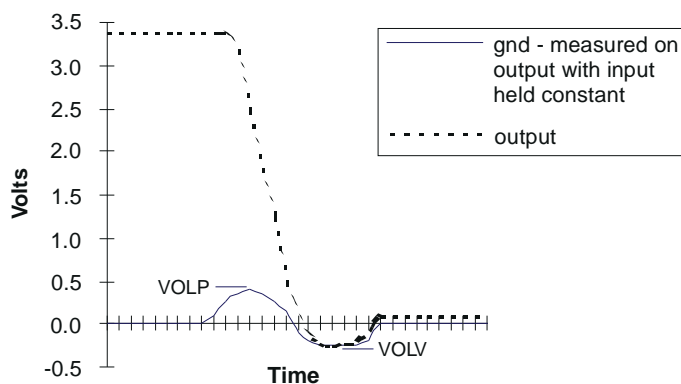
Definitions:

C_L = Load capacitance; Includes jig and probe capacitance.
 R_T = Termination resistance; Should be equal to Z_{OUT} of the Pulse Generator.

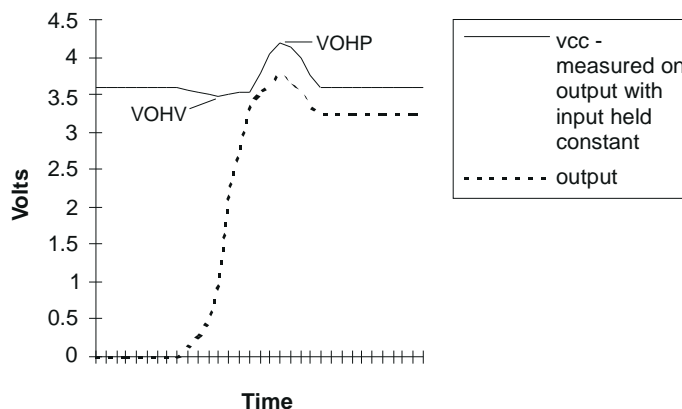
IOL Pull Down Current



Ground Bounce for High to Low Transitions⁽¹⁾



Supply Bounce for Low to High Transitions⁽²⁾

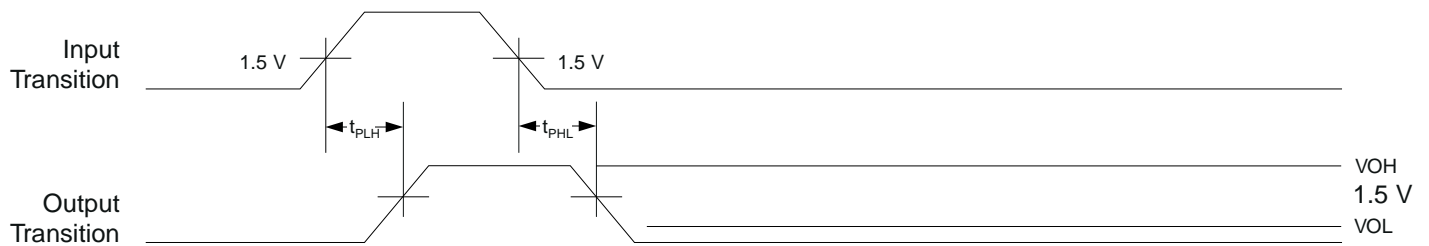


Typical Values

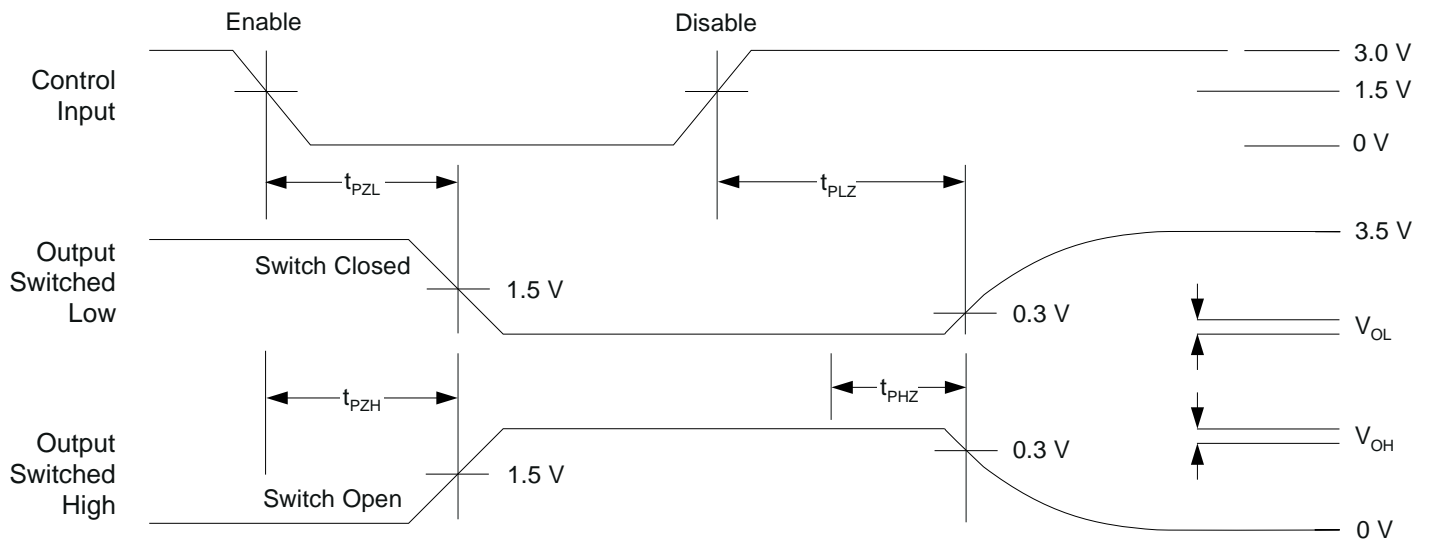
Parameter	Value	Units
VOLP	0.4	V
VOLV	-0.26	V
VOHV	$V_{CC} - 0.13$	V
VOHP	$V_{CC} + 0.6$	V

- Note: 1. When multiple outputs are switched at the same time, rapidly changing current on the ground and VCC paths causes a voltage to develop across the parasitic inductance of the wire bond and package pins. This occurrence is called simultaneous switching noise. Atmel's AT16373 products have minimized this phenomenon as shown on the graph. Output data is for 15 outputs switching simultaneously at a frequency of 1 MHz. The ground data is measured on the one remaining output, which is set to logic low and will reflect any device ground movement.
2. As on the graph for Ground Bounce, a similar condition occurs for low to high transitions. Output data is for 15 outputs switching simultaneously at a frequency of 1 MHz. V_{CC} droop is measured on the one remaining output pin, which is set to a logic high. This output will reflect any movement on the device V_{CC} .

Propagation Delay Waveforms



Enable and Disable Waveforms⁽¹⁾



- Note: 1. Enable and disable waveforms are the same for both \overline{xOE} and xLE inputs.



Ordering Information

TPD	Ordering Code	Package	Operation Range
2.5 ns	AT16373F - 25YC AT16373F - 25XC	48Y 48X	Commercial
2.0 ns	AT16373G - 20YC AT16373G - 20XC	48Y 48X	Commercial

Package Type	
48X	48 Pin, Plastic Thin Shrink Small Outline Package (TSSOP)
48Y	48 Pin, Plastic Shrink Small Outline Package (SSOP)

Компания «Океан Электроники» предлагает заключение долгосрочных отношений при поставках импортных электронных компонентов на взаимовыгодных условиях!

Наши преимущества:

- Поставка оригинальных импортных электронных компонентов напрямую с производств Америки, Европы и Азии, а так же с крупнейших складов мира;
- Широкая линейка поставок активных и пассивных импортных электронных компонентов (более 30 млн. наименований);
- Поставка сложных, дефицитных, либо снятых с производства позиций;
- Оперативные сроки поставки под заказ (от 5 рабочих дней);
- Экспресс доставка в любую точку России;
- Помощь Конструкторского Отдела и консультации квалифицированных инженеров;
- Техническая поддержка проекта, помощь в подборе аналогов, поставка прототипов;
- Поставка электронных компонентов под контролем ВП;
- Система менеджмента качества сертифицирована по Международному стандарту ISO 9001;
- При необходимости вся продукция военного и аэрокосмического назначения проходит испытания и сертификацию в лаборатории (по согласованию с заказчиком);
- Поставка специализированных компонентов военного и аэрокосмического уровня качества (Xilinx, Altera, Analog Devices, Intersil, Interpoint, Microsemi, Actel, Aeroflex, Peregrine, VPT, Syfer, Eurofarad, Texas Instruments, MS Kennedy, Miteq, Cobham, E2V, MA-COM, Hittite, Mini-Circuits, General Dynamics и др.);

Компания «Океан Электроники» является официальным дистрибьютором и эксклюзивным представителем в России одного из крупнейших производителей разъемов военного и аэрокосмического назначения «JONHON», а так же официальным дистрибьютором и эксклюзивным представителем в России производителя высокотехнологичных и надежных решений для передачи СВЧ сигналов «FORSTAR».



JONHON

«JONHON» (основан в 1970 г.)

Разъемы специального, военного и аэрокосмического назначения:

(Применяются в военной, авиационной, аэрокосмической, морской, железнодорожной, горно- и нефтедобывающей отраслях промышленности)

«FORSTAR» (основан в 1998 г.)

ВЧ соединители, коаксиальные кабели, кабельные сборки и микроволновые компоненты:

(Применяются в телекоммуникациях гражданского и специального назначения, в средствах связи, РЛС, а так же военной, авиационной и аэрокосмической отраслях промышленности).



Телефон: 8 (812) 309-75-97 (многоканальный)

Факс: 8 (812) 320-03-32

Электронная почта: ocean@oceanchips.ru

Web: <http://oceanchips.ru/>

Адрес: 198099, г. Санкт-Петербург, ул. Калинина, д. 2, корп. 4, лит. А