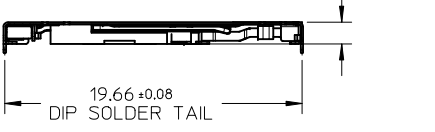
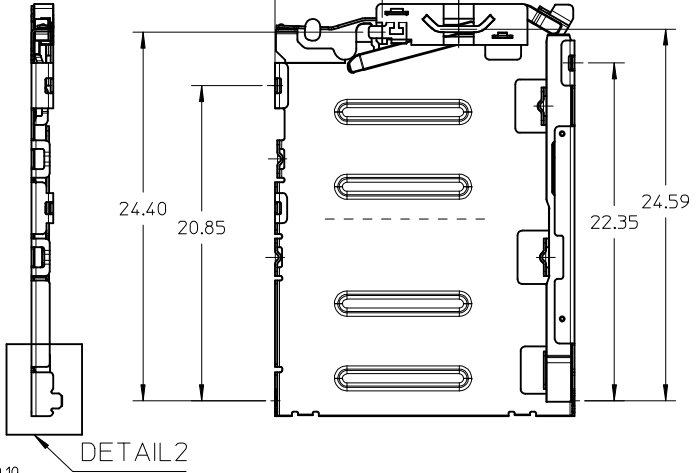
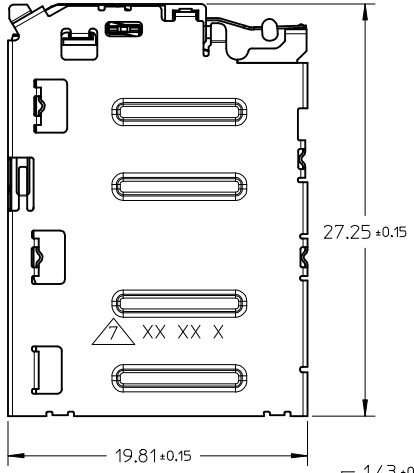
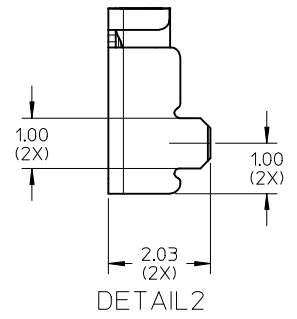
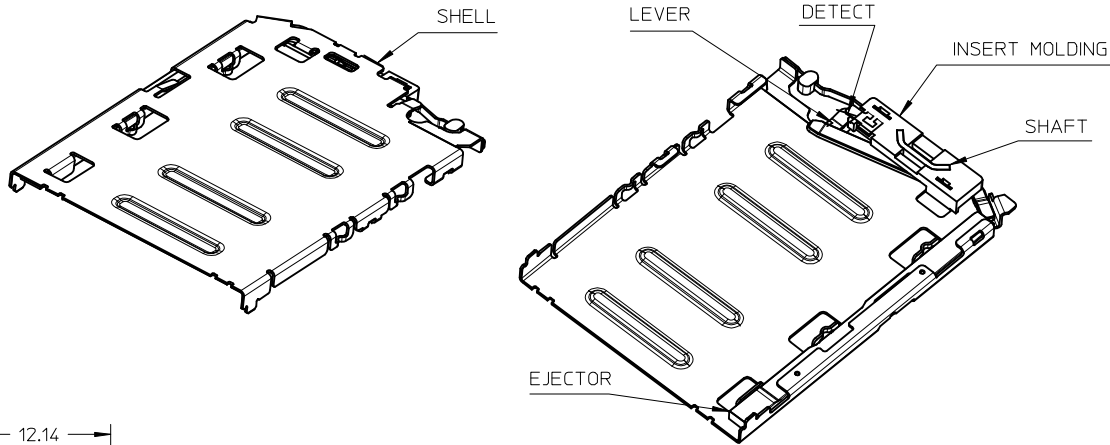


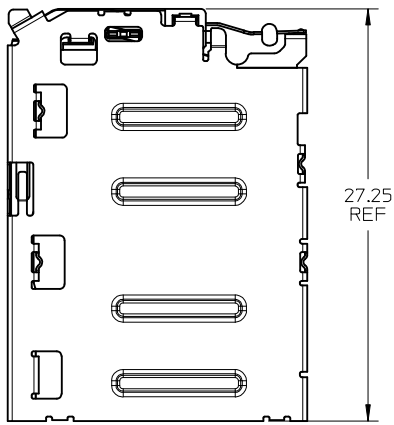
THIS DESIGN IS BASED ON DESIGN OBJECTIVES AND IS STRICTLY TENTATIVE. IT MAY CHANGE BASED ON RESULTS OF ADDITIONAL DESIGN REVIEWS & VERIFICATIONS.



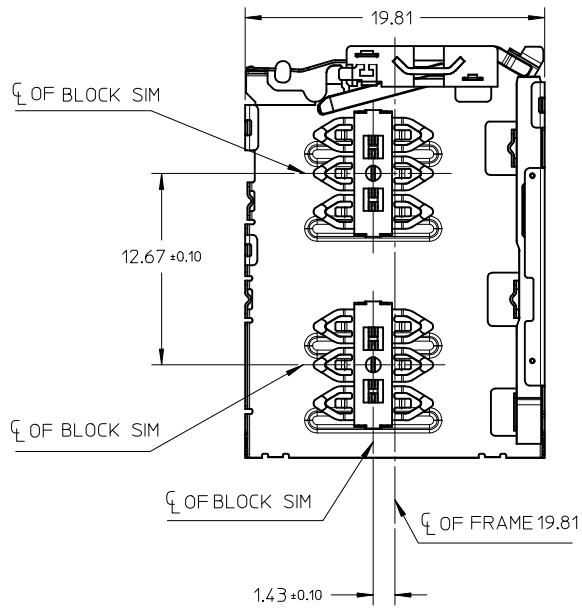
- NOTES:
- MATERIALS:
 INSERT MOLD HOUSING: LCP, UL94V-0;
 LEVER, SHAFT, EJECTOR, SHELL: STAINLESS STEEL;
 DETECT SPRING: COPPER ALLOY;
 - FINISHES:
 DETECT SPRING:
 1.27um MIN. NICKEL UNDERPLATING OVERALL;
 0.127um MIN. GOLD PLATING ON CONTACT AREA;
 1.27 um MIN. TIN PLATING ON SOLDERING TAIL;
 SHELL:
 1.27um MIN NICKEL UNDERPLATING OVERALL;
 0.025um MIN GOLD PLATING ON CONTACT AREA AND SOLDERING AREA;
 SHAFT: 1.27um MIN TIN ON SOLDERING TAIL;
 - PRODUCT SPECIFICATION: PS-151031-2001;
 - PACKAGING SPECIFICATION: PK-151031-0001;
 - SOLDER TAIL COPLANARITY: 0.10 MM MAX BEFORE REFLOW
 - THIS PART IS A FRAME ONLY, IT SHOULD BE USED TOGETHER WITH 0.38MM BLOCK SIM 151130 FOR AN ENTIRE SIM POP OUT SYSTEM;
 - DATE CODE PRINTED: XX XX X
 DAY
 WEEK
 YEAR

UPDATED DRAWING FOR TYPE EC NO: S2015-1182 DRWN: JZENG 2015/06/19 CHKD: JTAN02 2015/07/07 APPR: KHL IM 2015/07/22	DESCRIPTION REV 12	QUALITY SYMBOLS	GENERAL TOLERANCES (UNLESS SPECIFIED)	DIMENSION STYLE MM ONLY	SCALE NTS	DESIGN UNITS METRIC	THIRD ANGLE PROJECTION																															
		$F_A=0$ $F_G=0$ $F_P=0$	<table border="1"> <thead> <tr> <th></th> <th>mm</th> <th>INCH</th> </tr> </thead> <tbody> <tr> <td>4 PLACES</td> <td>± ---</td> <td>± ---</td> </tr> <tr> <td>3 PLACES</td> <td>± ---</td> <td>± ---</td> </tr> <tr> <td>2 PLACES</td> <td>± 0.20</td> <td>± ---</td> </tr> <tr> <td>1 PLACE</td> <td>± 0.20</td> <td>± ---</td> </tr> <tr> <td>0 PLACE</td> <td>± ---</td> <td>± ---</td> </tr> </tbody> </table>		mm	INCH	4 PLACES	± ---	± ---	3 PLACES	± ---	± ---	2 PLACES	± 0.20	± ---	1 PLACE	± 0.20	± ---	0 PLACE	± ---	± ---	<table border="1"> <thead> <tr> <th>DRAWN BY</th> <th>DATE</th> </tr> </thead> <tbody> <tr> <td>JZENG</td> <td>2014/07/01</td> </tr> <tr> <th>CHECKED BY</th> <th>DATE</th> </tr> <tr> <td>JTAN02</td> <td>2014/07/01</td> </tr> <tr> <th>APPROVED BY</th> <th>DATE</th> </tr> <tr> <td></td> <td></td> </tr> </tbody> </table>	DRAWN BY	DATE	JZENG	2014/07/01	CHECKED BY	DATE	JTAN02	2014/07/01	APPROVED BY	DATE			TITLE	DUAL SIM FRAME CONNECTOR 1.43H		
			mm	INCH																																		
		4 PLACES	± ---	± ---																																		
3 PLACES	± ---	± ---																																				
2 PLACES	± 0.20	± ---																																				
1 PLACE	± 0.20	± ---																																				
0 PLACE	± ---	± ---																																				
DRAWN BY	DATE																																					
JZENG	2014/07/01																																					
CHECKED BY	DATE																																					
JTAN02	2014/07/01																																					
APPROVED BY	DATE																																					
ANGULAR ± 3 ° DRAFT WHERE APPLICABLE MUST REMAIN WITHIN DIMENSIONS			MATERIAL NO. 1510312001	DOCUMENT NO. SD-151031-0001			SHEET NO. 1 OF 5																															

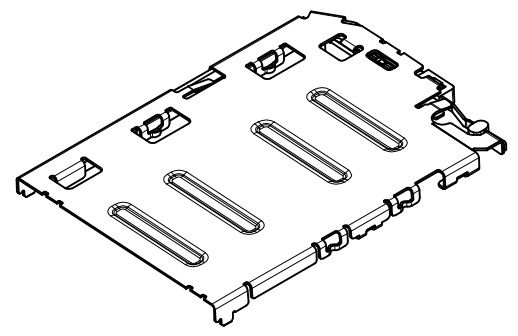
SIM CONNECTOR
(WITH 151130 BLOCK SIM CONNECTOR)



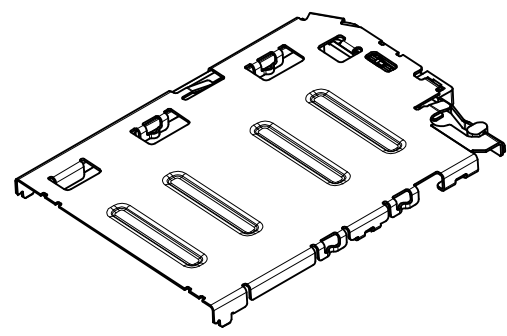
27.25
REF



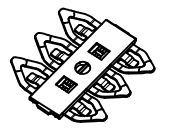
SIM CONNECTOR BOM



FRAME + BLOCK SIM



151031 SERIES



151130 SERIES

THIS DESIGN IS BASED ON DESIGN OBJECTIVES AND IS STRICTLY TENTATIVE. IT MAY CHANGE BASED ON RESULTS OF ADDITIONAL DESIGN REVIEWS & VERIFICATIONS.

SEE SHEET 1	EC NO: S2015-1182	2015/06/29
	DRWN: JZENG	2015/07/07
	CHKD: JTAN02	2015/07/07
	APPR: KHLIM	2015/07/22

REV	DESCRIPTION
12	QUALITY SYMBOLS
	$F_A=0$
	$F_C=0$
	$F_P=0$

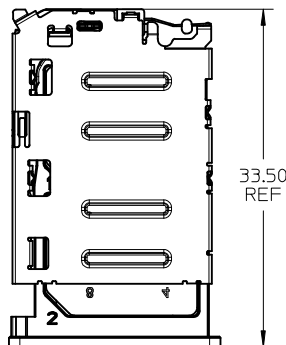
GENERAL TOLERANCES (UNLESS SPECIFIED)	
	mm INCH
4 PLACES	± --- ± ---
3 PLACES	± --- ± ---
2 PLACES	± 0.20 ± ---
1 PLACE	± 0.20 ± ---
0 PLACE	± --- ± ---
ANGULAR ± 3 °	
DRAFT WHERE APPLICABLE MUST REMAIN WITHIN DIMENSIONS	

DIMENSION STYLE	
MM ONLY	
DRAWN BY	DATE
JZENG	2014/07/01
CHECKED BY	DATE
JTAN02	2014/07/01
APPROVED BY	DATE
MATERIAL NO.	
1510312001	
SIZE	A3

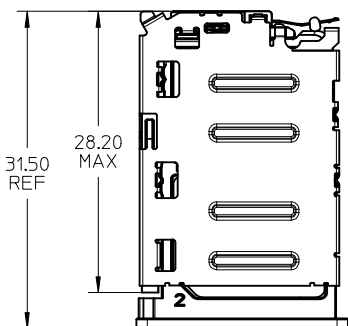
SCALE	NTS	DESIGN UNITS	METRIC	THIRD ANGLE PROJECTION
TITLE				
DUAL SIM FRAME CONNECTOR 1.43H				
DOCUMENT NO.			SHEET NO.	
SD-151031-0001			2 OF 5	
THIS DRAWING CONTAINS INFORMATION THAT IS PROPRIETARY TO MOLEX INCORPORATED AND SHOULD NOT BE USED WITHOUT WRITTEN PERMISSION				



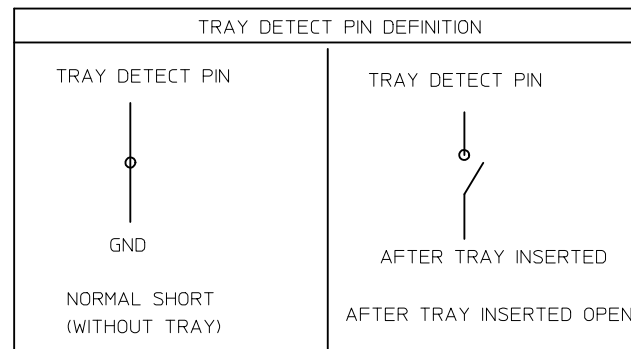
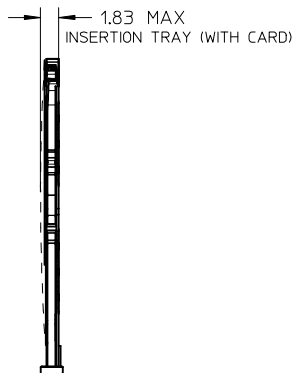
SIM CONNECTOR FRAME AND TRAY



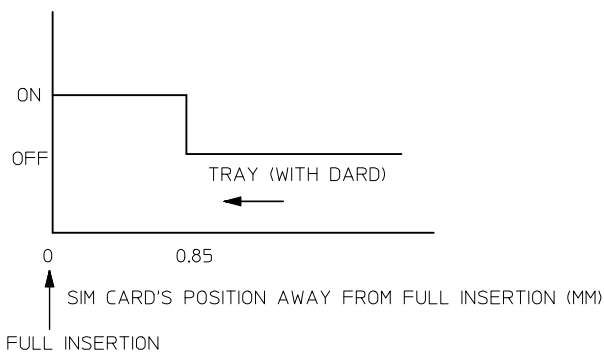
TRAY EJECTED POSITION



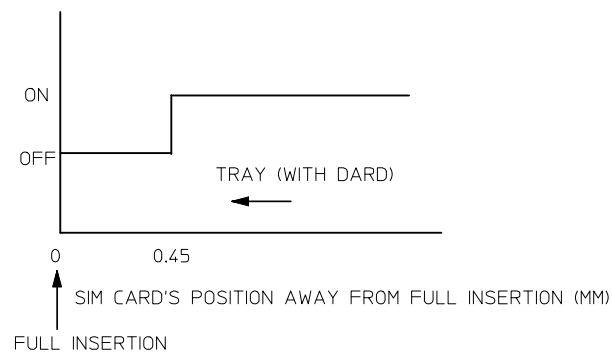
TRAY INSERTION POSITION



SIGNAL PIN

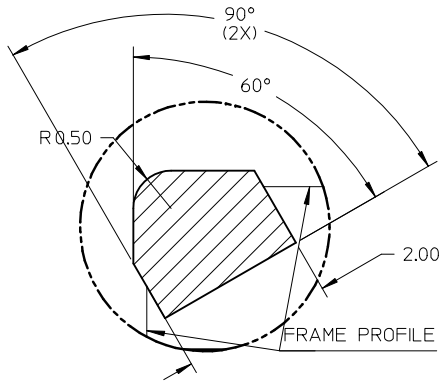


DETECT SWITCH PIN

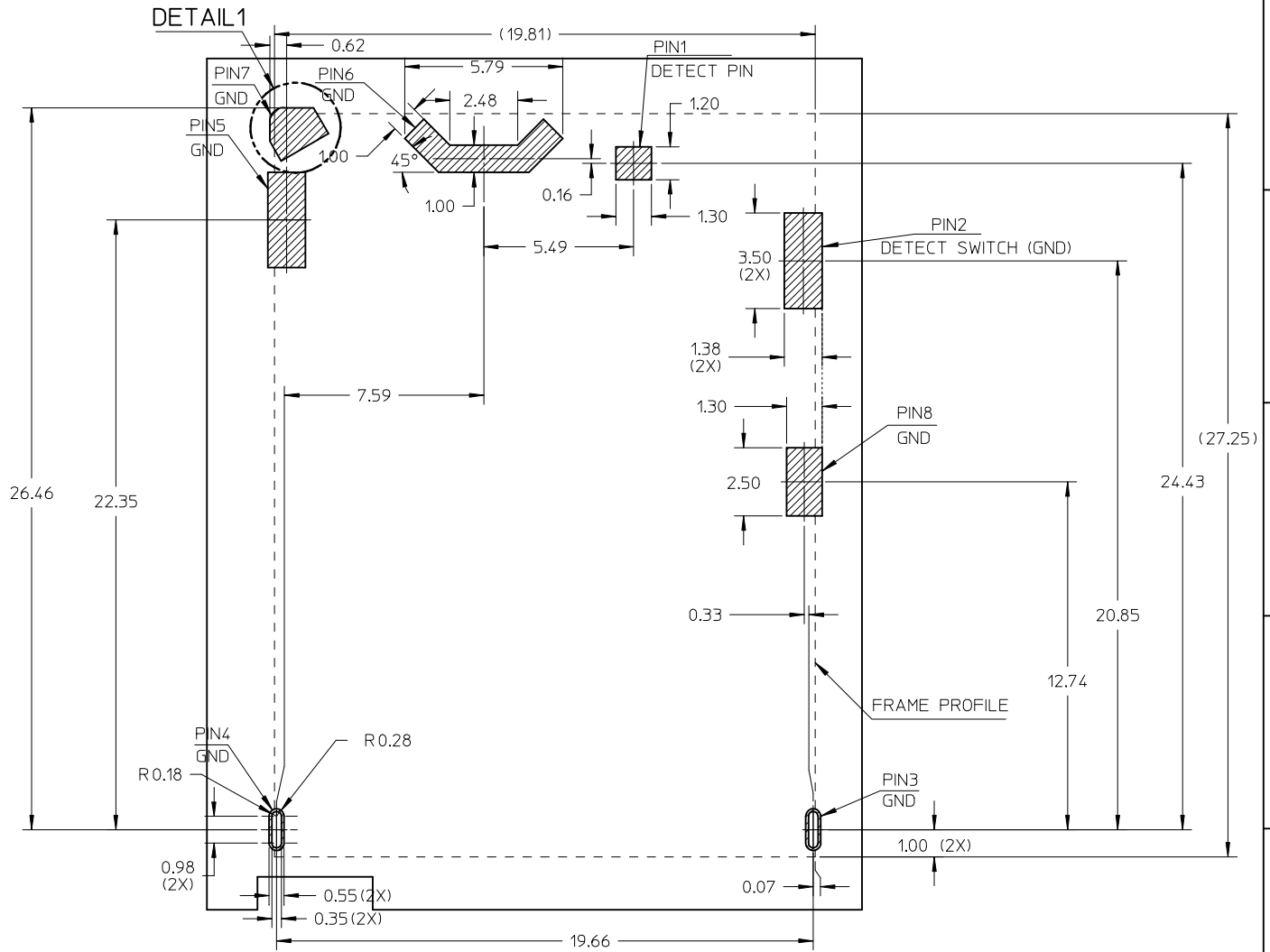


SEE SHEET 1 EC NO: S2015-1182 DRWN: JZENG CHKD: JTAN02 APPR: KHLIM	2015/06/29 2015/07/07 2015/07/22	DESCRIPTION REV	QUALITY SYMBOLS	GENERAL TOLERANCES (UNLESS SPECIFIED)	DIMENSION STYLE	SCALE	DESIGN UNITS	THIRD ANGLE PROJECTION
			$\nabla_A = 0$ $\nabla_C = 0$ $\nabla_P = 0$	mm INCH 4 PLACES ± --- ± --- 3 PLACES ± --- ± --- 2 PLACES ± 0.20 ± --- 1 PLACE ± 0.20 ± --- 0 PLACE ± --- ± ---	MM ONLY		METRIC	TITLE DUAL SIM FRAME CONNECTOR 1.43H
				ANGULAR ± 3 ° DRAFT WHERE APPLICABLE MUST REMAIN WITHIN DIMENSIONS	DRAWN BY: JZENG CHECKED BY: JTAN02 APPROVED BY:	DATE: 2014/07/01 DATE: 2014/07/01 DATE:	MATERIAL NO. 1510312001	
			12			SIZE A3	THIS DRAWING CONTAINS INFORMATION THAT IS PROPRIETARY TO MOLEX INCORPORATED AND SHOULD NOT BE USED WITHOUT WRITTEN PERMISSION	

151031 FRAME SOLDERING AREA:





DETAIL1

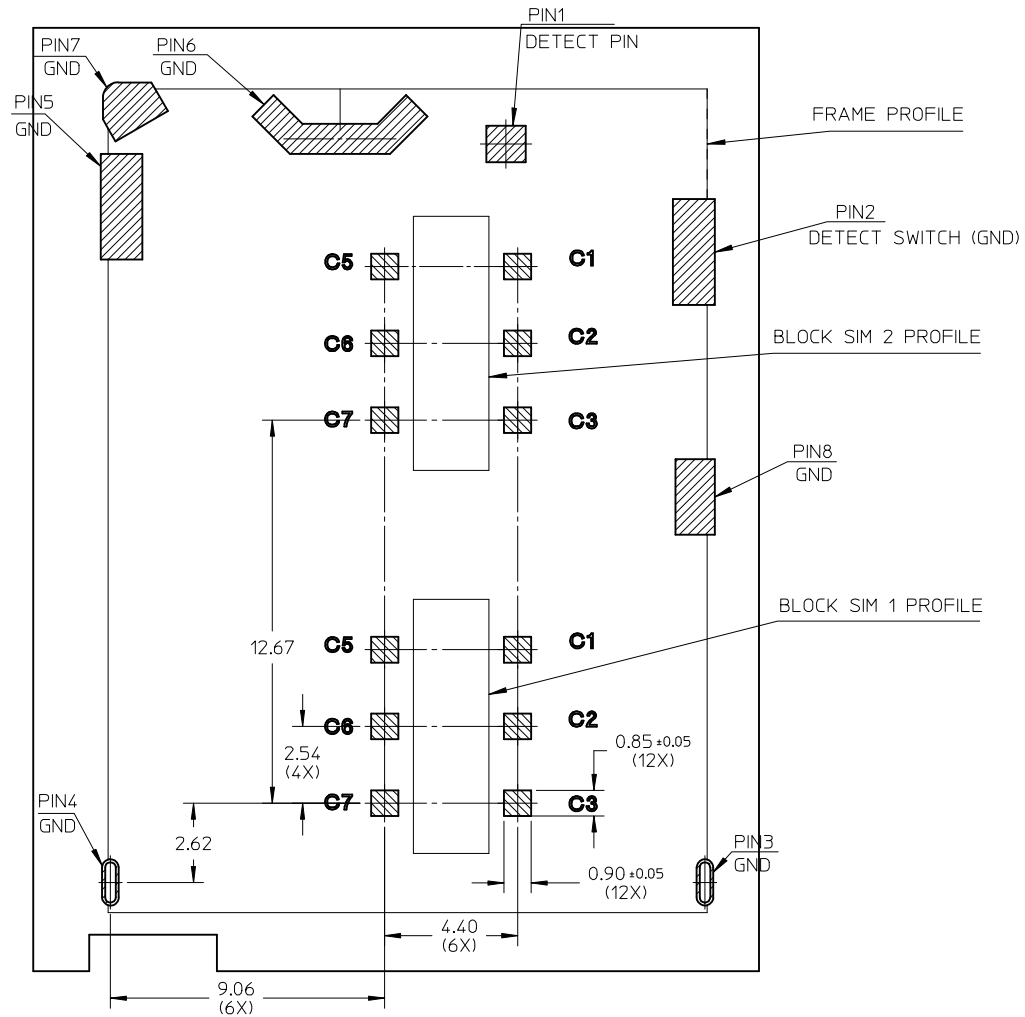


THIS DESIGN IS BASED ON DESIGN OBJECTIVES AND IS STRICTLY TENTATIVE. IT MAY CHANGE BASED ON RESULTS OF ADDITIONAL DESIGN REVIEWS & VERIFICATIONS.

RECOMMENDED PCB LAYOUT: TOLERANCE ±0.05
 RECOMMENDED PCB THICKNESS: 1.00MM
 RECOMMENDED STENCIL THICKNESS: 0.10MM

SEE SHEET 1 EC NO: S2015-1182 DRWN: JZENG CHKD: JTAN02 APPR: KHLIM	2015/06/29 2015/07/07 2015/07/22	DESCRIPTION	QUALITY SYMBOLS	GENERAL TOLERANCES (UNLESS SPECIFIED)	DIMENSION STYLE	SCALE	DESIGN UNITS	THIRD ANGLE PROJECTION			
			$F_A=0$ $F_C=0$ $F_P=0$	mm INCH 4 PLACES ± --- ± --- 3 PLACES ± --- ± --- 2 PLACES ± 0.20 ± --- 1 PLACE ± 0.20 ± --- 0 PLACE ± --- ± ---	MM ONLY	NTS	METRIC	DRAWN BY: JZENG CHECKED BY: JTAN02 APPROVED BY:	DATE: 2014/07/01 DATE: 2014/07/01 DATE:	TITLE	DUAL SIM FRAME CONNECTOR 1.43H
			ANGULAR ± 3 ° DRAFT WHERE APPLICABLE MUST REMAIN WITHIN DIMENSIONS	MATERIAL NO. 1510312001	DOCUMENT NO. SD-151031-0001	SHEET NO. 4 OF 5					
			SIZE A3	THIS DRAWING CONTAINS INFORMATION THAT IS PROPRIETARY TO MOLEX INCORPORATED AND SHOULD NOT BE USED WITHOUT WRITTEN PERMISSION							

151031 FRAME SOLDERING AREA: 
 151130 BLOCK SIM SOLDERING AREA: 



THIS DESIGN IS BASED ON DESIGN OBJECTIVES AND IS STRICTLY TENTATIVE. IT MAY CHANGE BASED ON RESULTS OF ADDITIONAL DESIGN REVIEWS & VERIFICATIONS.

RECOMMENDED PCB LAYOUT: TOLERANCE ±0.05
 RECOMMENDED PCB THICKNESS: 1.0MM
 RECOMMENDED STENCIL THICKNESS: 0.10MM

SEE SHEET 1 EC NO: S2015-1182 DRWN: JZENG CHKD: JTAN02 APPR: KHLIM	2015/06/29 2015/07/07 2015/07/22	DESCRIPTION REV	QUALITY SYMBOLS	GENERAL TOLERANCES (UNLESS SPECIFIED)	DIMENSION STYLE	SCALE	DESIGN UNITS	THIRD ANGLE PROJECTION
			$F_A=0$ $F_C=0$ $F_P=0$	mm INCH 4 PLACES ± --- ± --- 3 PLACES ± --- ± --- 2 PLACES ± 0.20 ± --- 1 PLACE ± 0.20 ± --- 0 PLACE ± --- ± ---	MM ONLY	NTS	METRIC	
			ANGULAR ± 3 ° DRAFT WHERE APPLICABLE MUST REMAIN WITHIN DIMENSIONS	DRAWN BY: JZENG CHECKED BY: JTAN02 APPROVED BY:	DATE: 2014/07/01 DATE: 2014/07/01 DATE:	TITLE: DUAL SIM FRAME CONNECTOR 1.43H		
			MATERIAL NO. 1510312001 DOCUMENT NO. SD-151031-0001 SHEET NO. 5 OF 5	THIS DRAWING CONTAINS INFORMATION THAT IS PROPRIETARY TO MOLEX INCORPORATED AND SHOULD NOT BE USED WITHOUT WRITTEN PERMISSION				



Компания «Океан Электроники» предлагает заключение долгосрочных отношений при поставках импортных электронных компонентов на взаимовыгодных условиях!

Наши преимущества:

- Поставка оригинальных импортных электронных компонентов напрямую с производств Америки, Европы и Азии, а так же с крупнейших складов мира;
- Широкая линейка поставок активных и пассивных импортных электронных компонентов (более 30 млн. наименований);
- Поставка сложных, дефицитных, либо снятых с производства позиций;
- Оперативные сроки поставки под заказ (от 5 рабочих дней);
- Экспресс доставка в любую точку России;
- Помощь Конструкторского Отдела и консультации квалифицированных инженеров;
- Техническая поддержка проекта, помощь в подборе аналогов, поставка прототипов;
- Поставка электронных компонентов под контролем ВП;
- Система менеджмента качества сертифицирована по Международному стандарту ISO 9001;
- При необходимости вся продукция военного и аэрокосмического назначения проходит испытания и сертификацию в лаборатории (по согласованию с заказчиком);
- Поставка специализированных компонентов военного и аэрокосмического уровня качества (Xilinx, Altera, Analog Devices, Intersil, Interpoint, Microsemi, Actel, Aeroflex, Peregrine, VPT, Syfer, Eurofarad, Texas Instruments, MS Kennedy, Miteq, Cobham, E2V, MA-COM, Hittite, Mini-Circuits, General Dynamics и др.);

Компания «Океан Электроники» является официальным дистрибьютором и эксклюзивным представителем в России одного из крупнейших производителей разъемов военного и аэрокосмического назначения «JONHON», а так же официальным дистрибьютором и эксклюзивным представителем в России производителя высокотехнологичных и надежных решений для передачи СВЧ сигналов «FORSTAR».



JONHON

«JONHON» (основан в 1970 г.)

Разъемы специального, военного и аэрокосмического назначения:

(Применяются в военной, авиационной, аэрокосмической, морской, железнодорожной, горно- и нефтедобывающей отраслях промышленности)

«FORSTAR» (основан в 1998 г.)

ВЧ соединители, коаксиальные кабели, кабельные сборки и микроволновые компоненты:

(Применяются в телекоммуникациях гражданского и специального назначения, в средствах связи, РЛС, а так же военной, авиационной и аэрокосмической отраслях промышленности).



Телефон: 8 (812) 309-75-97 (многоканальный)

Факс: 8 (812) 320-03-32

Электронная почта: ocean@oceanchips.ru

Web: <http://oceanchips.ru/>

Адрес: 198099, г. Санкт-Петербург, ул. Калинина, д. 2, корп. 4, лит. А