

**GENERAL DESCRIPTION**

The XRT83VSH314 is a fully integrated 14-channel short-haul line interface unit (LIU) that operates from a 1.8V Inner Core and 3.3V I/O power supplies. Using internal termination, the LIU provides one bill of materials to operate in T1, E1, or J1 mode independently on a per channel basis with minimum external components. The LIU features are programmed through a standard microprocessor interface. EXAR's LIU has patented high impedance circuits that allow the transmitter outputs and receiver inputs to be high impedance when experiencing a power failure or when the LIU is powered off. Key design features within the LIU optimize 1:1 or 1+1 redundancy and non-intrusive monitoring applications to ensure reliability without using relays.

The on-chip clock synthesizer generates T1/E1/J1 clock rates from a selectable external clock frequency and has five output clock references that can be used

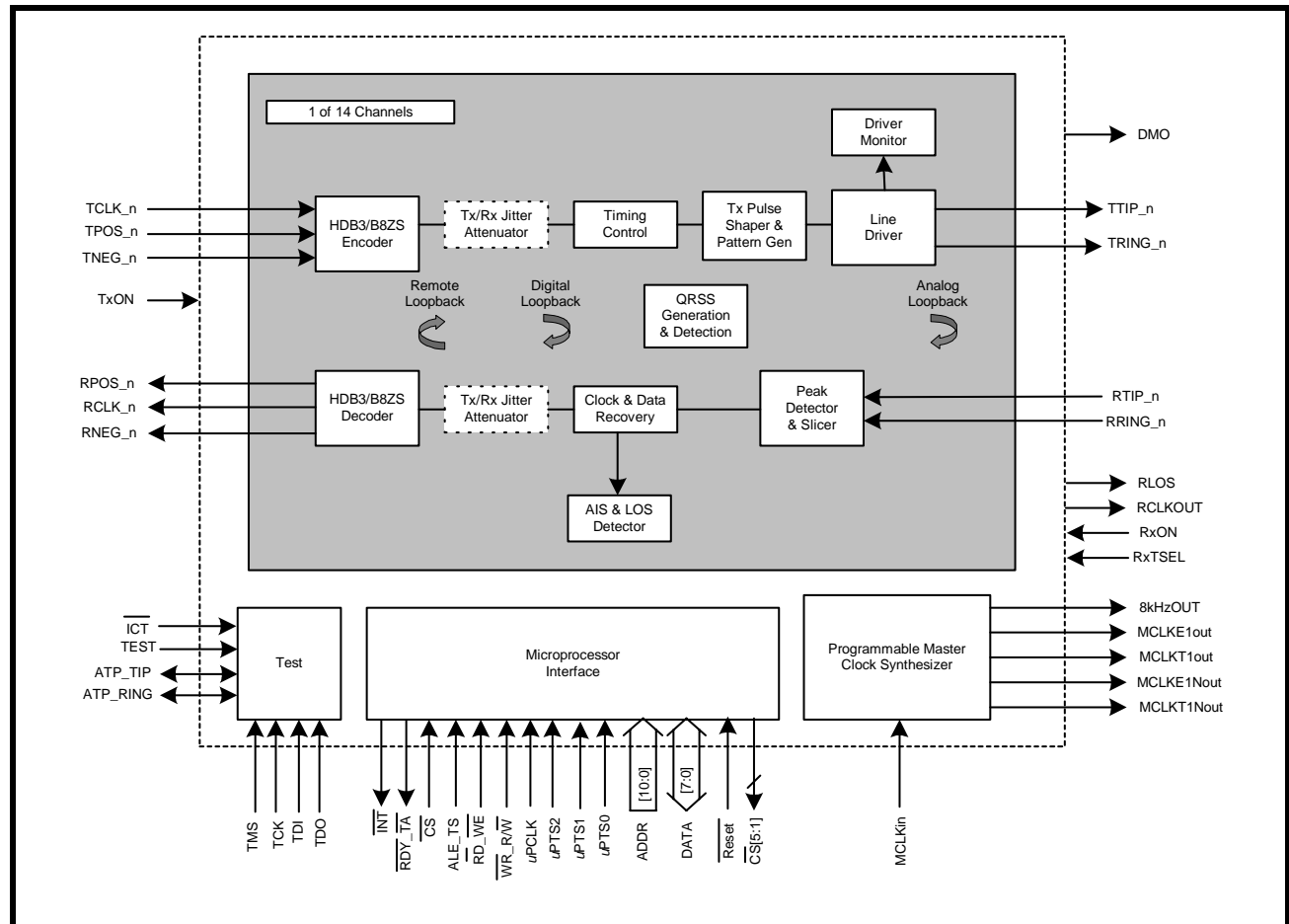
for external timing (8kHz, 1.544Mhz, 2.048Mhz, nxT1/J1, nxE1).

Additional features include RLOS, a 16-bit LCV counter for each channel, AIS, QRSS/PRBS generation/detection, TAOS, DMO, and diagnostic loopback modes.

**APPLICATIONS**

- T1 Digital Cross Connects (DSX-1)
- ISDN Primary Rate Interface
- CSU/DSU E1/T1/J1 Interface
- T1/E1/J1 LAN/WAN Routers
- Public Switching Systems and PBX Interfaces
- T1/E1/J1 Multiplexer and Channel Banks
- Integrated Multi-Service Access Platforms (IMAPs)
- Integrated Access Devices (IADs)
- Inverse Multiplexing for ATM (IMA)
- Wireless Base Stations

**FIGURE 1. BLOCK DIAGRAM OF THE XRT83VSH314**



**FEATURES**

- Fully integrated 14-Channel short haul transceivers for T1/J1 (1.544MHz) and E1 (2.048MHz) applications
- T1/E1/J1 short haul and clock rate are per port selectable through software without changing components
- Internal Impedance matching on both receive and transmit for 75Ω (E1), 100Ω (T1), 110Ω (J1), and 120Ω (E1) applications are per port selectable through software without changing components
- Power down on a per channel basis with independent receive and transmit selection
- Five pre-programmed transmit pulse settings for T1 short haul applications per channel
- User programable Arbitrary Pulse mode
- On-Chip transmit short-circuit protection and limiting protects line drivers from damage on a per channel basis
- Selectable Crystal-Less digital jitter attenuators (JA) with 32-Bit or 64-Bit FIFO for the receive or transmit path
- Driver failure monitor output (DMO) alerts of possible system or external component problems
- Transmit outputs and receive inputs may be "High" impedance for protection or redundancy applications on a per channel basis
- Support for automatic protection switching
- 1:1 and 1+1 protection without relays
- Receive monitor mode handles 0 to 6dB resistive attenuation (flat loss) along with 0 to 6dB cable loss for both T1 and E1
- Loss of signal (RLOS) according to ITU-T G.775/ETS300233 (E1) and ANSI T1.403 (T1/J1)
- Programmable data stream muting upon RLOS detection
- On-Chip HDB3/B8ZS encoder/decoder with an internal 16-bit LCV counter for each channel
- On-Chip digital clock recovery circuit for high input jitter tolerance
- QRSS/PRBS pattern generator and detection for testing and monitoring
- Error and bipolar violation insertion and detection
- Transmit all ones (TAOS) Generators and Detectors
- Supports local analog, remote, digital, and dual loopback modes
- 1.8V Digital Core
- 3.3V I/O and Analog Core
- 304-Pin BGA package
- -40°C to +85°C Temperature Range
- Supports gapped clocks for mapper/multiplexer applications

**PRODUCT ORDERING INFORMATION**

| PRODUCT NUMBER | PACKAGE TYPE  | OPERATING TEMPERATURE RANGE |
|----------------|---------------|-----------------------------|
| XRT83VSH314IB  | 304 Lead PBGA | -40°C to +85°C              |



**TABLE OF CONTENTS**

**GENERAL DESCRIPTION ..... 1**

**APPLICATIONS ..... 1**

        FIGURE 1. BLOCK DIAGRAM OF THE XRT83VSH314 ..... 1

**FEATURES ..... 2**

**PRODUCT ORDERING INFORMATION ..... 2**

**PIN OUT OF THE XRT83VSH314 ..... 3**

**TABLE OF CONTENTS ..... /**

**1.0 PIN DESCRIPTIONS ..... 4**

    MICROPROCESSOR ..... 4

    RECEIVER SECTION ..... 6

    TRANSMITTER SECTION ..... 9

    CONTROL FUNCTION ..... 11

    CLOCK SECTION ..... 11

    JTAG SECTION ..... 12

    POWER AND GROUND ..... 13

    NO CONNECTS ..... 15

**2.0 CLOCK SYNTHESIZER ..... 16**

    TABLE 1: INPUT CLOCK SOURCE SELECT ..... 16

    FIGURE 2. SIMPLIFIED BLOCK DIAGRAM OF THE CLOCK SYNTHESIZER ..... 16

**3.0 RECEIVE PATH LINE INTERFACE ..... 17**

    FIGURE 3. SIMPLIFIED BLOCK DIAGRAM OF THE RECEIVE PATH ..... 17

**3.1 LINE TERMINATION (RTIP/RRING) ..... 17**

        3.1.1 INTERNAL TERMINATION ..... 17

            TABLE 2: SELECTING THE INTERNAL IMPEDANCE ..... 17

            FIGURE 4. TYPICAL CONNECTION DIAGRAM USING INTERNAL TERMINATION ..... 17

            TABLE 3: RECEIVE TERMINATIONS ..... 18

**3.2 CLOCK AND DATA RECOVERY ..... 18**

            FIGURE 5. RECEIVE DATA UPDATED ON THE RISING EDGE OF RCLK ..... 19

            FIGURE 6. RECEIVE DATA UPDATED ON THE FALLING EDGE OF RCLK ..... 19

            TABLE 4: TIMING SPECIFICATIONS FOR RCLK/RPOS/RNEG ..... 19

                3.2.1 RECEIVE SENSITIVITY ..... 20

                    FIGURE 7. TEST CONFIGURATION FOR MEASURING RECEIVE SENSITIVITY ..... 20

                3.2.2 INTERFERENCE MARGIN ..... 20

                    FIGURE 8. TEST CONFIGURATION FOR MEASURING INTERFERENCE MARGIN ..... 20

                3.2.3 GENERAL ALARM DETECTION AND INTERRUPT GENERATION ..... 21

                    FIGURE 9. INTERRUPT GENERATION PROCESS BLOCK ..... 21

                3.2.4 FLSD (FIFO LIMIT STATUS DETECTION) ..... 22

**3.3 JITTER ATTENUATOR ..... 23**

**3.4 HDB3/B8ZS DECODER ..... 23**

        FIGURE 10. SINGLE RAIL MODE WITH A FIXED REPEATING "0011" PATTERN ..... 23

        FIGURE 11. DUAL RAIL MODE WITH A FIXED REPEATING "0011" PATTERN ..... 23

**3.5 RXMUTE (RECEIVER LOS WITH DATA MUTING) ..... 24**

        FIGURE 12. SIMPLIFIED BLOCK DIAGRAM OF THE RXMUTE FUNCTION ..... 24

**4.0 TRANSMIT PATH LINE INTERFACE ..... 25**

    FIGURE 13. SIMPLIFIED BLOCK DIAGRAM OF THE TRANSMIT PATH ..... 25

**4.1 TCLK/TPOS/TNEG DIGITAL INPUTS ..... 25**

        FIGURE 14. TRANSMIT DATA SAMPLED ON FALLING EDGE OF TCLK ..... 25

        FIGURE 15. TRANSMIT DATA SAMPLED ON RISING EDGE OF TCLK ..... 25

        TABLE 5: TIMING SPECIFICATIONS FOR TCLK/TPOS/TNEG ..... 26

**4.2 HDB3/B8ZS ENCODER ..... 26**

        TABLE 6: EXAMPLES OF HDB3 ENCODING ..... 26

        TABLE 7: EXAMPLES OF B8ZS ENCODING ..... 26

**4.3 JITTER ATTENUATOR ..... 27**

        TABLE 8: MAXIMUM GAP WIDTH FOR MULTIPLEXER/MAPPER APPLICATIONS ..... 27

**4.4 TAOS (TRANSMIT ALL ONES) ..... 27**

        FIGURE 16. TAOS (TRANSMIT ALL ONES) ..... 27

**4.5 TRANSMIT DIAGNOSTIC FEATURES ..... 27**

        4.5.1 ATAOS (AUTOMATIC TRANSMIT ALL ONES) ..... 28

            FIGURE 17. SIMPLIFIED BLOCK DIAGRAM OF THE ATAOS FUNCTION ..... 28

|            |   |           |
|------------|---|-----------|
| 4.5.2      | QRSS/PRBS GENERATION.....   | 28        |
|            | TABLE 9: RANDOM BIT SEQUENCE POLYNOMIALS .....  | 28        |
| <b>4.6</b> | <b>TRANSMIT PULSE SHAPER AND FILTER .....</b>   | <b>28</b> |
| 4.6.1      | T1 SHORT HAUL LINE BUILD OUT (LBO) .....  | 28        |
|            | TABLE 10: SHORT HAUL LINE BUILD OUT .....   | 28        |
| 4.6.2      | ARBITRARY PULSE GENERATOR FOR T1 AND E1 .....   | 29        |
|            | FIGURE 18. ARBITRARY PULSE SEGMENT ASSIGNMENT .....   | 29        |
| 4.6.3      | SETTING REGISTERS TO SELECT AN ARIBTRARY PULSE .....  | 29        |
|            | TABLE 11: TYPICAL ROM VALUES.....   | 30        |
| <b>4.7</b> | <b>DMO (DIGITAL MONITOR OUTPUT) .....</b>   | <b>30</b> |
| <b>4.8</b> | <b>LINE TERMINATION (TTIP/TRING) .....</b>  | <b>30</b> |
|            | FIGURE 19. TYPICAL CONNECTION DIAGRAM USING INTERNAL TERMINATION .....                                    | 30        |
| <b>5.0</b> | <b>T1/E1 APPLICATIONS .....</b>   | <b>31</b> |
| <b>5.1</b> | <b>LOOPBACK DIAGNOSTICS .....</b>   | <b>31</b> |
| 5.1.1      | LOCAL ANALOG LOOPBACK .....   | 31        |
|            | FIGURE 20. SIMPLIFIED BLOCK DIAGRAM OF LOCAL ANALOG LOOPBACK .....  | 31        |
| 5.1.2      | REMOTE LOOPBACK.....  | 31        |
|            | FIGURE 21. SIMPLIFIED BLOCK DIAGRAM OF REMOTE LOOPBACK.....   | 31        |
| 5.1.3      | DIGITAL LOOPBACK.....   | 32        |
|            | FIGURE 22. SIMPLIFIED BLOCK DIAGRAM OF DIGITAL LOOPBACK.....  | 32        |
| 5.1.4      | DUAL LOOPBACK .....   | 32        |
|            | FIGURE 23. SIMPLIFIED BLOCK DIAGRAM OF DUAL LOOPBACK .....  | 32        |
| <b>5.2</b> | <b>84-CHANNEL T1/E1 MULTIPLEXER/MAPPER APPLICATIONS .....</b>   | <b>33</b> |
|            | FIGURE 24. SIMPLIFIED BLOCK DIAGRAM OF AN 84-CHANNEL APPLICATION.....                                     | 33        |
|            | TABLE 12: CHIP SELECT ASSIGNMENTS.....  | 33        |
| <b>5.3</b> | <b>LINE CARD REDUNDANCY .....</b>   | <b>34</b> |
| 5.3.1      | 1:1 AND 1+1 REDUNDANCY WITHOUT RELAYS.....  | 34        |
| 5.3.2      | TRANSMIT INTERFACE WITH 1:1 AND 1+1 REDUNDANCY .....  | 34        |
|            | FIGURE 25. SIMPLIFIED BLOCK DIAGRAM OF THE TRANSMIT INTERFACE FOR 1:1 AND 1+1 REDUNDANCY .....            | 34        |
| 5.3.3      | RECEIVE INTERFACE WITH 1:1 AND 1+1 REDUNDANCY.....  | 34        |
|            | FIGURE 26. SIMPLIFIED BLOCK DIAGRAM OF THE RECEIVE INTERFACE FOR 1:1 AND 1+1 REDUNDANCY .....             | 35        |
| 5.3.4      | N+1 REDUNDANCY USING EXTERNAL RELAYS .....  | 35        |
| 5.3.5      | TRANSMIT INTERFACE WITH N+1 REDUNDANCY .....  | 36        |
|            | FIGURE 27. SIMPLIFIED BLOCK DIAGRAM OF THE TRANSMIT INTERFACE FOR N+1 REDUNDANCY.....                     | 36        |
| 5.3.6      | RECEIVE INTERFACE WITH N+1 REDUNDANCY .....   | 37        |
|            | FIGURE 28. SIMPLIFIED BLOCK DIAGRAM OF THE RECEIVE INTERFACE FOR N+1 REDUNDANCY.....                      | 37        |
| <b>5.4</b> | <b>POWER FAILURE PROTECTION .....</b>   | <b>38</b> |
| <b>5.5</b> | <b>OVERVOLTAGE AND OVERCURRENT PROTECTION .....</b>   | <b>38</b> |
| <b>5.6</b> | <b>NON-INTRUSIVE MONITORING .....</b>   | <b>38</b> |
|            | FIGURE 29. SIMPLIFIED BLOCK DIAGRAM OF A NON-INTRUSIVE MONITORING APPLICATION .....                       | 38        |
| <b>5.7</b> | <b>ANALOG BOARD CONTINUITY CHECK .....</b>  | <b>39</b> |
|            | FIGURE 30. ATP TESTING BLOCK DIAGRAM.....   | 39        |
|            | FIGURE 31. TIMING DIAGRAM FOR ATP TESTING .....   | 39        |
| 5.7.1      | TRANSMITTER TTIP AND TRING TESTING.....   | 39        |
| 5.7.2      | RECEIVER RTIP AND RRING.....  | 40        |
| <b>6.0</b> | <b>MICROPROCESSOR INTERFACE BLOCK .....</b>   | <b>41</b> |
|            | TABLE 13: SELECTING THE MICROPROCESSOR INTERFACE MODE .....   | 41        |
|            | FIGURE 32. SIMPLIFIED BLOCK DIAGRAM OF THE MICROPROCESSOR INTERFACE BLOCK.....                            | 41        |
| <b>6.1</b> | <b>THE MICROPROCESSOR INTERFACE BLOCK SIGNALS .....</b>   | <b>42</b> |
|            | TABLE 14: XRT84SH314S MICROPROCESSOR INTERFACE SIGNALS COMMON TO BOTH INTEL AND MOTOROLA MODES.....       | 42        |
|            | TABLE 15: INTEL MODE: MICROPROCESSOR INTERFACE SIGNALS .....  | 42        |
|            | TABLE 16: MOTOROLA MODE: MICROPROCESSOR INTERFACE SIGNALS.....  | 43        |
| <b>6.2</b> | <b>INTEL MODE PROGRAMMED I/O ACCESS (ASYNCHRONOUS) .....</b>  | <b>44</b> |
|            | FIGURE 33. INTEL $\mu$ P INTERFACE SIGNALS DURING PROGRAMMED I/O READ AND WRITE OPERATIONS.....           | 45        |
|            | TABLE 17: INTEL MICROPROCESSOR INTERFACE TIMING SPECIFICATIONS.....                                       | 45        |
| <b>6.3</b> | <b>MPC86X MODE PROGRAMMED I/O ACCESS (SYNCHRONOUS) .....</b>  | <b>46</b> |
|            | FIGURE 34. MOTOROLA MPC86X $\mu$ P INTERFACE SIGNALS DURING PROGRAMMED I/O READ AND WRITE OPERATIONS..... | 47        |
|            | TABLE 18: MOTOROLA MPC86X MICROPROCESSOR INTERFACE TIMING SPECIFICATIONS.....                             | 47        |
|            | FIGURE 35. MOTOROLA 68K $\mu$ P INTERFACE SIGNALS DURING PROGRAMMED I/O READ AND WRITE OPERATIONS.....    | 48        |
|            | TABLE 19: MOTOROLA 68K MICROPROCESSOR INTERFACE TIMING SPECIFICATIONS.....                                | 48        |
| <b>7.0</b> | <b>REGISTER DESCRIPTIONS .....</b>  | <b>49</b> |
|            | TABLE 20: MICROPROCESSOR REGISTER ADDRESS (ADDR[7:0]) .....   | 49        |
|            | TABLE 21: MICROPROCESSOR REGISTER CHANNEL DESCRIPTION.....  | 49        |
|            | TABLE 22: MICROPROCESSOR REGISTER GLOBAL DESCRIPTION .....  | 50        |

**14-CHANNEL T1/E1/J1 SHORT-HAUL LINE INTERFACE UNIT**

|  |           |
|--|-----------|
| TABLE 23: MICROPROCESSOR REGISTER 0x00H BIT DESCRIPTION .....          | 51        |
| TABLE 24: CABLE LENGTH SETTINGS .....                                  | 52        |
| TABLE 25: MICROPROCESSOR REGISTER 0x01H BIT DESCRIPTION .....          | 53        |
| TABLE 26: MICROPROCESSOR REGISTER 0x02H BIT DESCRIPTION .....          | 54        |
| TABLE 27: MICROPROCESSOR REGISTER 0x03H BIT DESCRIPTION .....          | 55        |
| TABLE 28: MICROPROCESSOR REGISTER 0x04H BIT DESCRIPTION .....          | 56        |
| TABLE 29: MICROPROCESSOR REGISTER 0x05H BIT DESCRIPTION .....          | 57        |
| TABLE 30: MICROPROCESSOR REGISTER 0x06H BIT DESCRIPTION .....          | 58        |
| TABLE 31: MICROPROCESSOR REGISTER 0x07H BIT DESCRIPTION .....          | 59        |
| TABLE 32: MICROPROCESSOR REGISTER 0x08H BIT DESCRIPTION .....          | 59        |
| TABLE 33: MICROPROCESSOR REGISTER 0x09H BIT DESCRIPTION .....          | 60        |
| TABLE 34: MICROPROCESSOR REGISTER 0x0AH BIT DESCRIPTION.....           | 60        |
| TABLE 35: MICROPROCESSOR REGISTER 0x0BH BIT DESCRIPTION.....           | 60        |
| TABLE 36: MICROPROCESSOR REGISTER 0x0CH BIT DESCRIPTION.....           | 60        |
| TABLE 37: MICROPROCESSOR REGISTER 0x0DH BIT DESCRIPTION.....           | 61        |
| TABLE 38: MICROPROCESSOR REGISTER 0x0EH BIT DESCRIPTION.....           | 61        |
| TABLE 39: MICROPROCESSOR REGISTER 0x0FH BIT DESCRIPTION.....           | 61        |
| TABLE 40: MICROPROCESSOR REGISTER 0xE0H BIT DESCRIPTION.....           | 61        |
| TABLE 41: MICROPROCESSOR REGISTER 0xE1H BIT DESCRIPTION.....           | 62        |
| TABLE 42: MICROPROCESSOR REGISTER 0xE2H BIT DESCRIPTION.....           | 63        |
| TABLE 43: MICROPROCESSOR REGISTER 0xE3H BIT DESCRIPTION.....           | 63        |
| TABLE 44: MICROPROCESSOR REGISTER 0xE4H BIT DESCRIPTION.....           | 64        |
| TABLE 45: MICROPROCESSOR REGISTER 0xE5H BIT DESCRIPTION.....           | 64        |
| TABLE 46: MICROPROCESSOR REGISTER 0xE6H BIT DESCRIPTION.....           | 65        |
| TABLE 47: MICROPROCESSOR REGISTER 0xE7H BIT DESCRIPTIO .....           | 66        |
| TABLE 48: MICROPROCESSOR REGISTER 0xE8H BIT DESCRIPTION.....           | 67        |
| CLOCK SELECT REGISTER .....  | 67        |
| FIGURE 36. REGISTER 0xE9H SUB REGISTERS .....                          | 67        |
| TABLE 49: MICROPROCESSOR REGISTER 0xE9H BIT DESCRIPTION.....           | 68        |
| TABLE 50: MICROPROCESSOR REGISTER 0xEAH BIT DESCRIPTION.....           | 68        |
| TABLE 51: MICROPROCESSOR REGISTER 0xEBH BIT DESCRIPTION.....           | 69        |
| TABLE 52: RECOVERED CLOCK SELECT .....                                 | 70        |
| TABLE 53: E1 ARBITRARY SELECT .....                                    | 71        |
| TABLE 54: MICROPROCESSOR REGISTER 0xFEH BIT DESCRIPTION.....           | 71        |
| TABLE 55: MICROPROCESSOR REGISTER 0xFFH BIT DESCRIPTION.....           | 71        |
| <b>8.0 ELECTRICAL CHARACTERISTICS .....</b>                            | <b>72</b> |
| TABLE 56: ABSOLUTE MAXIMUM RATINGS.....                                | 72        |
| TABLE 57: DC DIGITAL INPUT AND OUTPUT ELECTRICAL CHARACTERISTICS ..... | 72        |
| TABLE 58: AC ELECTRICAL CHARACTERISTICS .....                          | 72        |
| TABLE 59: POWER CONSUMPTION.....                                       | 73        |
| TABLE 60: E1 RECEIVER ELECTRICAL CHARACTERISTICS.....                  | 73        |
| TABLE 61: T1 RECEIVER ELECTRICAL CHARACTERISTICS.....                  | 74        |
| TABLE 62: E1 TRANSMITTER ELECTRICAL CHARACTERISTICS .....              | 74        |
| TABLE 63: T1 TRANSMITTER ELECTRICAL CHARACTERISTICS .....              | 75        |
| <b>ORDERING INFORMATION.....</b>                                       | <b>76</b> |
| <b>PACKAGE DIMENSIONS (BOTTOM VIEW) .....</b>                          | <b>76</b> |
| REVISION HISTORY.....  | 77        |

## 1.0 PIN DESCRIPTIONS

### MICROPROCESSOR

| NAME   | PIN | TYPE | DESCRIPTION  |
|--|-----|------|--|
| $\overline{\text{CS}}$                               | A22 | I    | <p><b>Chip Select Input</b></p> <p>Active low signal. This signal enables the microprocessor interface by pulling chip select "Low". The microprocessor interface is disabled when the chip select signal returns "High".</p> <p><b>NOTE:</b> Internally pulled "High" with a 50k <math>\Omega</math> resistor.</p>  |
| ALE_TS   | C19 | I    | <p><b>Address Latch Enable Input (Transfer Start)</b></p> <p>See the Microprocessor section of this datasheet for a description.</p> <p><b>NOTE:</b> Internally pulled "Low" with a 50k <math>\Omega</math> resistor.</p>  |
| $\overline{\text{WR}}_{\text{R}\overline{\text{W}}}$ | A20 | I    | <p><b>Write Strobe Input (Read/Write)</b></p> <p>See the Microprocessor section of this datasheet for a description.</p> <p><b>NOTE:</b> Internally pulled "Low" with a 50k <math>\Omega</math> resistor.</p>  |
| $\overline{\text{RD}}_{\text{WE}}$                   | D18 | I    | <p><b>Read Strobe Input (Write Enable)</b></p> <p>See the Microprocessor section of this datasheet for a description.</p> <p><b>NOTE:</b> Internally pulled "Low" with a 50k <math>\Omega</math> resistor.</p>   |
| $\overline{\text{RDY}}_{\text{TA}}$                  | AA3 | O    | <p><b>Ready Output (Transfer Acknowledge)</b></p> <p>See the Microprocessor section of this datasheet for a description.</p>   |
| $\overline{\text{INT}}$                              | B3  | O    | <p><b>Interrupt Output</b></p> <p>Active low signal. This signal is asserted "Low" when a change in alarm status occurs. Once the status registers have been read, the interrupt pin will return "High". GIE (Global Interrupt Enable) must be set "High" in the appropriate global register to enable interrupt generation.</p> <p><b>NOTE:</b> This pin is an open-drain output that requires an external 10K<math>\Omega</math> pull-up resistor.</p> |
| $\mu\text{PCLK}$                                     | AB2 | I    | <p><b>Micro Processor Clock Input</b></p> <p>In a synchronous microprocessor interface, <math>\mu\text{PCLK}</math> is used as the internal timing reference for programming the LIU.</p> <p><b>NOTE:</b> Internally pulled "Low" with a 50k <math>\Omega</math> resistor.</p>   |

**MICROPROCESSOR**

| NAME   | PIN   | TYPE | DESCRIPTION   |
|--|---|------|---|
| ADDR10<br>ADDR9<br>ADDR8<br>ADDR7<br>ADDR6<br>ADDR5<br>ADDR4<br>ADDR3<br>ADDR2<br>ADDR1<br>ADDR0   | A23<br>E20<br>C22<br>Y18<br>AA19<br>AB20<br>AC21<br>AB21<br>AA20<br>Y19<br>AC22 | I    | <b>Address Bus Input</b><br>ADDR[10:8] is used as a chip select decoder. The LIU has 5 chip select output pins for enabling up to 5 additional devices for accessing internal registers. The LIU has the option to select itself (master device), up to 5 additional devices, or all 6 devices simultaneously by setting the ADDR[10:8] pins specified below. ADDR[7:0] is a direct address bus for permitting access to the internal registers.<br><br><b>ADDR[10:8]</b><br>000 = Master Device<br>001 = Chip Select Output 1 (Pin B21)<br>010 = Chip Select Output 2 (Pin D19)<br>011 = Chip Select Output 3 (Pin C20)<br>100 = Chip Select Output 4 (Pin A21)<br>101 = Chip Select Output 5 (Pin B20)<br>110 = Reserved<br>111 = All Chip Selects Active Including the Master Device<br><b>NOTE:</b> Internally pulled "Low" with a 50k $\Omega$ resistor. |
| DATA7<br>DATA6<br>DATA5<br>DATA4<br>DATA3<br>DATA2<br>DATA1<br>DATA0   | AA4<br>AB3<br>AC3<br>AA5<br>Y6<br>AB4<br>AC4<br>AB5                             | I/O  | <b>Bi-directional Data Bus</b><br>DATA[7:0] is a bi-directional data bus used for read and write operations.<br><b>NOTE:</b> Internally pulled "Low" with a 50k $\Omega$ resistor.  |
| $\mu$ PTS2<br>$\mu$ PTS1<br>$\mu$ PTS0   | AC23<br>AB22<br>AA21  | I    | <b>Microprocessor Type Select Input</b><br>$\mu$ PTS[2:0] are used to select the microprocessor type interface.<br>000 = Intel 68HC11, 8051, 80C188 (Asynchronous)<br>001 = Motorola 68K (Asynchronous)<br>111 = Motorola MPC8260, MPC860 Power PC (Synchronous)<br><b>NOTE:</b> Internally pulled "Low" with a 50k $\Omega$ resistor.  |
| Reset  | B22   | I    | <b>Hardware Reset Input</b><br>Active low signal. When this pin is pulled "Low" for more than 10 $\mu$ S, the internal registers are set to their default state. See the register description for the default values.<br><b>NOTE:</b> Internally pulled "High" with a 50K $\Omega$ resistor.  |
| $\overline{\text{CS}}_5$<br>$\overline{\text{CS}}_4$<br>$\overline{\text{CS}}_3$<br>$\overline{\text{CS}}_2$<br>$\overline{\text{CS}}_1$ | B20<br>A21<br>C20<br>D19<br>B21   | O    | <b>Chip Select Output</b><br>The XRT83VSH314 can be used to provide the necessary chip selects for up to 5 additional devices by using the 3 MSBs ADDR[10:8] from the 11-Bit address bus. The LIU allows up to 84-channel applications with only using one chip select. See the ADDR[10:0] definition in the pin description.   |



#### RECEIVER SECTION

| NAME   | PIN  | TYPE | DESCRIPTION  |              |                |   |          |   |          |
|--|--|------|--|--------------|----------------|---|----------|---|----------|
| RxON   | AB19   | I    | <p><b>Receive On/Off Input</b></p> <p>Upon power up, the receivers are powered off. Turning the receivers On or Off can be selected through the microprocessor interface by programming the appropriate channel register if the hardware pin is pulled "High". If the hardware pin is pulled "Low", all channels are automatically turned off.</p> <p><b>NOTE:</b> Internally pulled "Low" with a 50K<math>\Omega</math> resistor.</p>   |              |                |   |          |   |          |
| RxTSEL   | Y15  | I    | <p><b>Receive Termination Control</b></p> <p>Upon power up, the receivers are in "High" impedance. Switching to internal termination can be selected through the microprocessor interface by programming the appropriate channel register. However, to switch control to the hardware pin, RxTCNTL must be programmed to "1" in the appropriate global register. Once control has been granted to the hardware pin, it must be pulled "High" to switch to internal termination.</p> <p><b>NOTE:</b> Internally pulled "Low" with a 50k<math>\Omega</math> resistor.</p> <table border="1" style="margin-left: auto; margin-right: auto;"> <thead> <tr> <th>RxTSEL (pin)</th> <th>Rx Termination</th> </tr> </thead> <tbody> <tr> <td>0</td> <td>External</td> </tr> <tr> <td>1</td> <td>Internal</td> </tr> </tbody> </table> <p><i>Note: RxTCNTL (bit) must be set to "1"</i></p> | RxTSEL (pin) | Rx Termination | 0 | External | 1 | Internal |
| RxTSEL (pin)   | Rx Termination   |      |  |              |                |   |          |   |          |
| 0  | External   |      |  |              |                |   |          |   |          |
| 1  | Internal   |      |  |              |                |   |          |   |          |
| RLOS   | AB1  | O    | <p><b>Receive Loss of Signal (Global Pin for All 14-Channels)</b></p> <p>When a receive loss of signal occurs for any one of the 14-channels according to ITU-T G.775, the RLOS pin will go "High" for a minimum of one RCLK cycle. RLOS will remain "High" until the loss of signal condition clears. See the Receive Loss of Signal section of this datasheet for more details.</p> <p><b>NOTE:</b> This pin is for redundancy applications to initiate an automatic switch to the backup card. For individual channel RLOS, see the register map.</p>   |              |                |   |          |   |          |
| RCLK13<br>RCLK12<br>RCLK11<br>RCLK10<br>RCLK9<br>RCLK8<br>RCLK7<br>RCLK6<br>RCLK5<br>RCLK4<br>RCLK3<br>RCLK2<br>RCLK1<br>RCLK0 | AB14<br>Y22<br>R22<br>P22<br>G22<br>F22<br>B14<br>B9<br>F2<br>G2<br>P2<br>R2<br>AA2<br>AA9 | O    | <p><b>Receive Clock Output</b></p> <p>RCLK is the recovered clock from the incoming data stream. If the incoming signal is absent or RxON is pulled "Low", RCLK maintains its timing by using an internal master clock as its reference. Software control (RCLKE) allows RPOS/RNEG data to be updated on either edge of RCLK.</p> <p><b>NOTE:</b> RCLKE is a global setting that applies to all 14 channels.</p>   |              |                |   |          |   |          |

**RECEIVER SECTION**

| NAME   | PIN   | TYPE | DESCRIPTION   |                             |                     |            |                  |      |        |      |        |      |        |      |        |      |        |      |        |      |        |      |        |      |        |      |        |      |         |      |         |      |         |      |         |
|--|---|------|---|-----------------------------|---------------------|------------|------------------|------|--------|------|--------|------|--------|------|--------|------|--------|------|--------|------|--------|------|--------|------|--------|------|--------|------|---------|------|---------|------|---------|------|---------|
| RCLKOUT  | K1  | O    | <p><b>Recovered Clock Output:</b><br/>One of the 14 RCLKS is selected with the Recoved Clock Select [3:0] (register 0xEEh) bits and output through this pin.<br/>See table below.</p> <table border="1"> <thead> <tr> <th>Recovered Clock Select[3:0]</th> <th>Selected RCLK[13:0]</th> </tr> </thead> <tbody> <tr> <td>0000, 1111</td> <td>No RCLK Selected</td> </tr> <tr> <td>0001</td> <td>RCLK 0</td> </tr> <tr> <td>0010</td> <td>RCLK 1</td> </tr> <tr> <td>0011</td> <td>RCLK 2</td> </tr> <tr> <td>0100</td> <td>RCLK 3</td> </tr> <tr> <td>0101</td> <td>RCLK 4</td> </tr> <tr> <td>0110</td> <td>RCLK 5</td> </tr> <tr> <td>0111</td> <td>RCLK 6</td> </tr> <tr> <td>1000</td> <td>RCLK 7</td> </tr> <tr> <td>1001</td> <td>RCLK 8</td> </tr> <tr> <td>1010</td> <td>RCLK 9</td> </tr> <tr> <td>1011</td> <td>RCLK 10</td> </tr> <tr> <td>1100</td> <td>RCLK 11</td> </tr> <tr> <td>1101</td> <td>RCLK 12</td> </tr> <tr> <td>1110</td> <td>RCLK 13</td> </tr> </tbody> </table> | Recovered Clock Select[3:0] | Selected RCLK[13:0] | 0000, 1111 | No RCLK Selected | 0001 | RCLK 0 | 0010 | RCLK 1 | 0011 | RCLK 2 | 0100 | RCLK 3 | 0101 | RCLK 4 | 0110 | RCLK 5 | 0111 | RCLK 6 | 1000 | RCLK 7 | 1001 | RCLK 8 | 1010 | RCLK 9 | 1011 | RCLK 10 | 1100 | RCLK 11 | 1101 | RCLK 12 | 1110 | RCLK 13 |
| Recovered Clock Select[3:0]  | Selected RCLK[13:0]   |      |   |                             |                     |            |                  |      |        |      |        |      |        |      |        |      |        |      |        |      |        |      |        |      |        |      |        |      |         |      |         |      |         |      |         |
| 0000, 1111   | No RCLK Selected  |      |   |                             |                     |            |                  |      |        |      |        |      |        |      |        |      |        |      |        |      |        |      |        |      |        |      |        |      |         |      |         |      |         |      |         |
| 0001   | RCLK 0  |      |   |                             |                     |            |                  |      |        |      |        |      |        |      |        |      |        |      |        |      |        |      |        |      |        |      |        |      |         |      |         |      |         |      |         |
| 0010   | RCLK 1  |      |   |                             |                     |            |                  |      |        |      |        |      |        |      |        |      |        |      |        |      |        |      |        |      |        |      |        |      |         |      |         |      |         |      |         |
| 0011   | RCLK 2  |      |   |                             |                     |            |                  |      |        |      |        |      |        |      |        |      |        |      |        |      |        |      |        |      |        |      |        |      |         |      |         |      |         |      |         |
| 0100   | RCLK 3  |      |   |                             |                     |            |                  |      |        |      |        |      |        |      |        |      |        |      |        |      |        |      |        |      |        |      |        |      |         |      |         |      |         |      |         |
| 0101   | RCLK 4  |      |   |                             |                     |            |                  |      |        |      |        |      |        |      |        |      |        |      |        |      |        |      |        |      |        |      |        |      |         |      |         |      |         |      |         |
| 0110   | RCLK 5  |      |   |                             |                     |            |                  |      |        |      |        |      |        |      |        |      |        |      |        |      |        |      |        |      |        |      |        |      |         |      |         |      |         |      |         |
| 0111   | RCLK 6  |      |   |                             |                     |            |                  |      |        |      |        |      |        |      |        |      |        |      |        |      |        |      |        |      |        |      |        |      |         |      |         |      |         |      |         |
| 1000   | RCLK 7  |      |   |                             |                     |            |                  |      |        |      |        |      |        |      |        |      |        |      |        |      |        |      |        |      |        |      |        |      |         |      |         |      |         |      |         |
| 1001   | RCLK 8  |      |   |                             |                     |            |                  |      |        |      |        |      |        |      |        |      |        |      |        |      |        |      |        |      |        |      |        |      |         |      |         |      |         |      |         |
| 1010   | RCLK 9  |      |   |                             |                     |            |                  |      |        |      |        |      |        |      |        |      |        |      |        |      |        |      |        |      |        |      |        |      |         |      |         |      |         |      |         |
| 1011   | RCLK 10   |      |   |                             |                     |            |                  |      |        |      |        |      |        |      |        |      |        |      |        |      |        |      |        |      |        |      |        |      |         |      |         |      |         |      |         |
| 1100   | RCLK 11   |      |   |                             |                     |            |                  |      |        |      |        |      |        |      |        |      |        |      |        |      |        |      |        |      |        |      |        |      |         |      |         |      |         |      |         |
| 1101   | RCLK 12   |      |   |                             |                     |            |                  |      |        |      |        |      |        |      |        |      |        |      |        |      |        |      |        |      |        |      |        |      |         |      |         |      |         |      |         |
| 1110   | RCLK 13   |      |   |                             |                     |            |                  |      |        |      |        |      |        |      |        |      |        |      |        |      |        |      |        |      |        |      |        |      |         |      |         |      |         |      |         |
| RPOS13<br>RPOS12<br>RPOS11<br>RPOS10<br>RPOS9<br>RPOS8<br>RPOS7<br>RPOS6<br>RPOS5<br>RPOS4<br>RPOS3<br>RPOS2<br>RPOS1<br>RPOS0 | Y14<br>W20<br>P20<br>N20<br>H20<br>G20<br>D14<br>D10<br>G4<br>H4<br>N4<br>P4<br>W4<br>Y10 | O    | <p><b>RPOS/RDATA Output</b><br/>Receive digital output pin. In dual rail mode, this pin is the receive positive data output. In single rail mode, this pin is the receive non-return to zero (NRZ) data output.</p>   |                             |                     |            |                  |      |        |      |        |      |        |      |        |      |        |      |        |      |        |      |        |      |        |      |        |      |         |      |         |      |         |      |         |

**RECEIVER SECTION**

| NAME    | PIN  | TYPE | DESCRIPTION   |
|---------|------|------|---|
| RNEG13  | AA14 | O    | <b>RNEG/LCV_OF Output</b><br>In dual rail mode, this pin is the receive negative data output. In single rail mode, this pin can either be a Line Code Violation or Overflow indicator. If LCV is selected by software and if a line code violation, a bi-polar violation, or excessive zeros occur, the LCV pin will pull "High" for a minimum of one RCLK cycle. LCV will remain "High" until there are no more violations. However, if OF is selected the LCV pin will pull "High" if the internal LCV counter is saturated. The LCV pin will remain "High" until the LCV counter is reset. |
| RNEG12  | Y21  |      |   |
| RNEG11  | P21  |      |   |
| RNEG10  | N21  |      |   |
| RNEG9   | H21  |      |   |
| RNEG8   | G21  |      |   |
| RNEG7   | C14  |      |   |
| RNEG6   | C10  |      |   |
| RNEG5   | F3   |      |   |
| RNEG4   | G3   |      |   |
| RNEG3   | N3   |      |   |
| RNEG2   | P3   |      |   |
| RNEG1   | Y3   |      |   |
| RNEG0   | AA10 |      |   |
| RTIP13  | AC14 | I    | <b>Receive Differential Tip Input</b><br>RTIP is the positive differential input from the line interface. Along with the RRING signal, these pins should be coupled to a 1:1 transformer for proper operation.  |
| RTIP12  | Y23  |      |   |
| RTIP11  | T23  |      |   |
| RTIP10  | P23  |      |   |
| RTIP9   | G23  |      |   |
| RTIP8   | E23  |      |   |
| RTIP7   | A14  |      |   |
| RTIP6   | A9   |      |   |
| RTIP5   | E1   |      |   |
| RTIP4   | G1   |      |   |
| RTIP3   | P1   |      |   |
| RTIP2   | T1   |      |   |
| RTIP1   | Y1   |      |   |
| RTIP0   | AC9  |      |   |
| RRING13 | AC13 | I    | <b>Receive Differential Ring Input</b><br>RRING is the negative differential input from the line interface. Along with the RTIP signal, these pins should be coupled to a 1:1 transformer for proper operation.   |
| RRING12 | W23  |      |   |
| RRING11 | U23  |      |   |
| RRING10 | N23  |      |   |
| RRING9  | H23  |      |   |
| RRING8  | D23  |      |   |
| RRING7  | A13  |      |   |
| RRING6  | A10  |      |   |
| RRING5  | D1   |      |   |
| RRING4  | H1   |      |   |
| RRING3  | N1   |      |   |
| RRING2  | U1   |      |   |
| RRING1  | W1   |      |   |
| RRING0  | AC10 |      |   |

## TRANSMITTER SECTION

| NAME   | PIN  | TYPE | DESCRIPTION   |
|--|--|------|---|
| TxON   | AC20   | I    | <p><b>Transmit On/Off Input</b></p> <p>Upon power up, the transmitters are powered off. Turning the transmitters On or Off is selected through the microprocessor interface by programming the appropriate channel register if this pin is pulled "High". If the TxON pin is pulled "Low", all 14 transmitters are powered off.</p> <p><b>NOTES:</b></p> <ol style="list-style-type: none"> <li>1. TxON is ideal for redundancy applications. See the Redundancy Applications Section of this datasheet for more details.</li> <li>2. Internally pulled "Low" with a 50K<math>\Omega</math> resistor.</li> </ol>      |
| DMO  | Y4   | O    | <p><b>Digital Monitor Output (Global Pin for All 14-Channels)</b></p> <p>When no transmit output pulse is detected for more than 128 TCLK cycles on one of the 14-channels, the DMO pin will go "High" for a minimum of one TCLK cycle. DMO will remain "High" until the transmitter sends a valid pulse.</p> <p><b>NOTE:</b> This pin is for redundancy applications to initiate an automatic switch to the backup card. For individual channel DMO, see the register map.</p>   |
| TCLK13<br>TCLK12<br>TCLK11<br>TCLK10<br>TCLK9<br>TCLK8<br>TCLK7<br>TCLK6<br>TCLK5<br>TCLK4<br>TCLK3<br>TCLK2<br>TCLK1<br>TCLK0 | Y16<br>Y17<br>AC18<br>D16<br>C17<br>A19<br>B16<br>D7<br>A3<br>B5<br>B6<br>AC6<br>AC5<br>AC7  | I    | <p><b>Transmit Clock Input</b></p> <p>TCLK is the input facility clock used to sample the incoming TPOS/TNEG data. If TCLK is absent, pulled "Low", or pulled "High", the transmitter outputs at TTIP/TRING can be selected to send an all ones or an all zero signal by programming TCLKCNL. In addition, software control (TCLKE) allows TPOS/TNEG data to be sampled on either edge of TCLK.</p> <p><b>NOTES:</b></p> <ol style="list-style-type: none"> <li>1. TCLKE is a global setting that applies to all 14 channels.</li> <li>2. Internally pulled "Low" with a 50k <math>\Omega</math> resistor.</li> </ol> |
| TPOS13<br>TPOS12<br>TPOS11<br>TPOS10<br>TPOS9<br>TPOS8<br>TPOS7<br>TPOS6<br>TPOS5<br>TPOS4<br>TPOS3<br>TPOS2<br>TPOS1<br>TPOS0 | AB17<br>AA18<br>AB18<br>A18<br>D17<br>B19<br>A17<br>B7<br>C4<br>B4<br>D6<br>AB6<br>AA6<br>Y8 | I    | <p><b>TPOS/TDATA Input</b></p> <p>Transmit digital input pin. In dual rail mode, this pin is the transmit positive data input. In single rail mode, this pin is the transmit non-return to zero (NRZ) data input.</p> <p><b>NOTE:</b> Internally pulled "Low" with a 50K<math>\Omega</math> resistor.</p>   |

**TRANSMITTER SECTION**

| NAME   | PIN  | TYPE | DESCRIPTION   |
|--|--|------|---|
| TNEG13<br>TNEG12<br>TNEG11<br>TNEG10<br>TNEG9<br>TNEG8<br>TNEG7<br>TNEG6<br>TNEG5<br>TNEG4<br>TNEG3<br>TNEG2<br>TNEG1<br>TNEG0               | AC17<br>AC19<br>AA17<br>B17<br>B18<br>C18<br>C16<br>C7<br>D5<br>C5<br>C6<br>AA7<br>Y7<br>AB7 | I    | <p><b>Transmit Negative Data Input</b></p> <p>In dual rail mode, this pin is the transmit negative data input. In single rail mode, this pin can be left unconnected.</p> <p><i>NOTE: Internally pulled "Low" with a 50KΩ resistor.</i></p> |
| TTIP13<br>TTIP12<br>TTIP11<br>TTIP10<br>TTIP9<br>TTIP8<br>TTIP7<br>TTIP6<br>TTIP5<br>TTIP4<br>TTIP3<br>TTIP2<br>TTIP1<br>TTIP0               | AA13<br>W21<br>R21<br>M21<br>J21<br>F21<br>C13<br>C11<br>E3<br>H3<br>M3<br>R3<br>W3<br>AA11  | O    | <p><b>Transmit Differential Tip Output</b></p> <p>TTIP is the positive differential output to the line interface. Along with the TRING signal, these pins should be coupled to a 1:2 step up transformer for proper operation.</p>          |
| TRING13<br>TRING12<br>TRING11<br>TRING10<br>TRING9<br>TRING8<br>TRING7<br>TRING6<br>TRING5<br>TRING4<br>TRING3<br>TRING2<br>TRING1<br>TRING0 | AB12<br>V22<br>T20<br>M22<br>J22<br>D22<br>B12<br>B11<br>C2<br>H2<br>M2<br>U2<br>V3<br>AB11  | O    | <p><b>Transmit Differential Ring Output</b></p> <p>TRING is the negative differential output to the line interface. Along with the TTIP signal, these pins should be coupled to a 1:2 step up transformer for proper operation.</p>         |

**CONTROL FUNCTION**

| NAME                    | PIN | TYPE | DESCRIPTION   |
|-------------------------|-----|------|---|
| TEST                    | D4  | I    | <b>Factory Test Mode</b><br>For normal operation, the TEST pin should be tied to ground.<br><i>NOTE: Internally pulled "Low" with a 50kΩ resistor.</i>  |
| $\overline{\text{ICT}}$ | A2  | I    | <b>In Circuit Testing</b><br>When this pin is tied "Low", all output pins are forced to "High" impedance for in circuit testing.<br><i>NOTE: Internally pulled "High" with a 50KΩ resistor.</i> |
| PhDIN                   | L1  | I    | <b>Test Pin</b><br>For testing purposes only. For normal operation leave this pin unconnected.<br><i>NOTE: Internally pulled "Low" with a 50kΩ resistor.</i>                                    |
| CMPOUT                  | K2  | O    | <b>Test Pin</b><br>For testing purposes only. For normal operation leave this pin unconnected.  |

**CLOCK SECTION**

| NAME       | PIN | TYPE | DESCRIPTION   |
|------------|-----|------|---|
| MCLKin     | A6  | I    | <b>Master Clock Input</b><br>The master clock input can accept a wide range of inputs that can be used to generate T1 or E1 clock rates on a per channel basis. See the register map for details.<br><i>NOTE: Internally pulled "Low" with a 50kΩ resistor.</i> |
| 8kHzOUT    | D8  | O    | <b>8kHz Output Clock</b>  |
| MCLKE1out  | A5  | O    | <b>2.048MHz Output Clock</b>  |
| MCLKE1Nout | A4  | O    | <b>2.048MHz, 4.096MHz, 8.192MHz, or 16.384MHz Output Clock</b><br>See the register map for programming details.   |
| MCLKT1out  | A7  | O    | <b>1.544MHz Output Clock</b>  |
| MCLKT1Nout | B8  | O    | <b>1.544MHz, 3.088MHz, 6.176MHz, or 12.352MHz Output Clock</b><br>See the register map for programming details.   |

**JTAG SECTION**

| NAME                | PIN        | TYPE | DESCRIPTION  |
|---------------------|------------|------|--|
| ATP_TIP<br>ATP_RING | D21<br>K21 | I/O  | <b>Analog Test Pin_TIP</b><br><b>Analog Test Pin_RING</b><br>These pins are used to check continuity of the Transmit and Receive TIP and RING connections on the assembled board.<br><b>NOTE:</b> See "Section 5.7, Analog Board Continuity Check" on page 39 for more detailed description. |
| TMS                 | E4         | I    | <b>Test Mode Select</b><br>This pin is used as the input mode select for the boundary scan chain.<br><b>NOTE:</b> Internally pulled "High" with a 50K $\Omega$ resistor.   |
| TCK                 | B1         | I    | <b>Test Clock Input</b><br>This pin is used as the input clock source for the boundary scan chain.<br><b>NOTE:</b> Internally pulled "High" with a 50K $\Omega$ resistor.  |
| TDI                 | A1         | I    | <b>Test Data In</b><br>This pin is used as the input data pin for the boundary scan chain.<br><b>NOTE:</b> Internally pulled "High" with a 50K $\Omega$ resistor.  |
| TDO                 | D3         | O    | <b>Test Data Out</b><br>This pin is used as the output data pin for the boundary scan chain.   |

**POWER AND GROUND**

| NAME     | PIN  | TYPE | DESCRIPTION  |
|----------|------|------|--|
| TVDD13   | AB13 | PWR  | <b>Transmit Analog Power Supply (3.3V ±5%)</b><br>TVDD can be shared with DVDD. However, it is recommended that TVDD be isolated from the analog power supply RVDD. For best results, use an internal power plane for isolation. If an internal power plane is not available, a ferrite bead can be used. Each power supply pin should be bypassed to ground through an external 0.1µF capacitor.  |
| TVDD12   | V21  |      |  |
| TVDD11   | T21  |      |  |
| TVDD10   | N22  |      |  |
| TVDD9    | H22  |      |  |
| TVDD8    | E21  |      |  |
| TVDD7    | B13  |      |  |
| TVDD6    | B10  |      |  |
| TVDD5    | D2   |      |  |
| TVDD4    | J3   |      |  |
| TVDD3    | N2   |      |  |
| TVDD2    | T3   |      |  |
| TVDD1    | U4   |      |  |
| TVDD0    | AB10 |      |  |
| RVDD13   | AC15 | PWR  | <b>Receive Analog Power Supply (3.3V ±5%)</b><br>RVDD should not be shared with other power supplies. It is recommended that RVDD be isolated from the digital power supply DVDD and the analog power supply TVDD. For best results, use an internal power plane for isolation. If an internal power plane is not available, a ferrite bead can be used. Each power supply pin should be bypassed to ground through an external 0.1µF capacitor. |
| RVDD12   | AA23 |      |  |
| RVDD11   | T22  |      |  |
| RVDD10   | R23  |      |  |
| RVDD9    | F23  |      |  |
| RVDD8    | E22  |      |  |
| RVDD7    | A15  |      |  |
| RVDD6    | A8   |      |  |
| RVDD5    | E2   |      |  |
| RVDD4    | F1   |      |  |
| RVDD3    | R1   |      |  |
| RVDD2    | T2   |      |  |
| RVDD1    | Y2   |      |  |
| RVDD0    | AB9  |      |  |
| DVDD_DRV | AC2  | PWR  | <b>Digital Power Supply (3.3V ±5%)</b><br>DVDD should be isolated from the analog power supplies. For best results, use an internal power plane for isolation. If an internal power plane is not available, a ferrite bead can be used. Every two DVDD power supply pins should be bypassed to ground through at least one 0.1µF capacitor.  |
| DVDD_DRV | K3   |      |  |
| DVDD_DRV | U22  |      |  |
| DVDD_DRV | C21  |      |  |
| DVDD_DRV | AA16 |      |  |
| DVDD_PRE | Y5   | PWR  | <b>Digital Power Supply (1.8V ±5%)</b><br>DVDD should be isolated from the analog power supplies. For best results, use an internal power plane for isolation. If an internal power plane is not available, a ferrite bead can be used. Every two DVDD power supply pins should be bypassed to ground through at least one 0.1µF capacitor.  |
| DVDD_PRE | C3   |      |  |
| DVDD_PRE | D20  |      |  |
| DVDD_PRE | Y20  |      |  |
| DVDD     | J2   |      |  |
| DVDD     | V2   |      |  |
| DVDD     | D12  |      |  |
| DVDD     | AA12 |      |  |
| DVDD     | U21  |      |  |
| DVDD     | K23  |      |  |
| DVDD_µP  | AA15 |      |  |



**POWER AND GROUND**

| NAME   | PIN   | TYPE | DESCRIPTION  |
|--|---|------|--|
| AVDD_BIAS<br>AVDD_PLL22<br>AVDD_PLL21<br>AVDD_PLL12<br>AVDD_PLL11  | K4<br>C15<br>B15<br>AB16<br>AC16  | PWR  | <b>Analog Power Supply (1.8V ±5%)</b><br>AVDD should be isolated from the digital power supplies. For best results, use an internal power plane for isolation. If an internal power plane is not available, a ferrite bead can be used. Each power supply pin should be bypassed to ground through at least one 0.1µF capacitor. |
| TGND13<br>TGND12<br>TGND11<br>TGND10<br>TGND9<br>TGND8<br>TGND7<br>TGND6<br>TGND5<br>TGND4<br>TGND3<br>TGND2<br>TGND1<br>TGND0 | Y13<br>V20<br>R20<br>M20<br>J20<br>F20<br>D13<br>D11<br>F4<br>J4<br>M4<br>R4<br>V4<br>Y11   | GND  | <b>Transmit Analog Ground</b><br>It's recommended that all ground pins of this device be tied together.  |
| RGND13<br>RGND12<br>RGND11<br>RGND10<br>RGND9<br>RGND8<br>RGND7<br>RGND6<br>RGND5<br>RGND4<br>RGND3<br>RGND2<br>RGND1<br>RGND0 | AC12<br>W22<br>V23<br>M23<br>J23<br>C23<br>A12<br>A11<br>C1<br>J1<br>M1<br>V1<br>W2<br>AC11 | GND  | <b>Receive Analog Ground</b><br>It's recommended that all ground pins of this device be tied together.   |
| DGND<br>DGND<br>DGND<br>DGND<br>DGND<br>DGND   | L2<br>T4<br>C12<br>Y12<br>U20<br>L23  | GND  | <b>Digital Ground</b><br>It's recommended that all ground pins of this device be tied together.  |

**POWER AND GROUND**

| NAME       | PIN  | TYPE | DESCRIPTION   |
|------------|------|------|---|
| DGND_DRV   | B2   | GND  | <b>Digital Ground</b><br>It's recommended that all ground pins of this device be tied together. |
| DGND_DRV   | U3   |      |   |
| DGND_DRV   | A16  |      |   |
| DGND_DRV   | AA8  |      |   |
| DGND_DRV   | AB23 |      |   |
| DGND_PRE   | D15  |      |   |
| DGND_PRE   | AB8  |      |   |
| DGND_PRE   | L20  |      |   |
| DGND_UP    | AB15 |      |   |
| AGND_BIAS  | L3   | GND  | <b>Analog Ground</b><br>It's recommended that all ground pins of this device be tied together.  |
| AGND_PLL22 | C9   |      |   |
| AGND_PLL21 | C8   |      |   |
| AGND_PLL12 | Y9   |      |   |
| AGND_PLL11 | AC8  |      |   |

**NO CONNECTS**

| NAME | PIN  | TYPE | DESCRIPTION   |
|------|------|------|---|
| NC   | AA1  | NC   | <b>No Connect</b><br>These pins can be left floating or tied to ground. |
| NC   | AC1  |      |   |
| NC   | K20  |      |   |
| NC   | K22  |      |   |
| NC   | L22  |      |   |
| NC   | AA22 |      |   |
| NC   | B23  |      |   |
| NC   | L4   |      |   |
| NC   | L21  |      |   |
| NC   | D9   |      |   |

**2.0 CLOCK SYNTHESIZER**

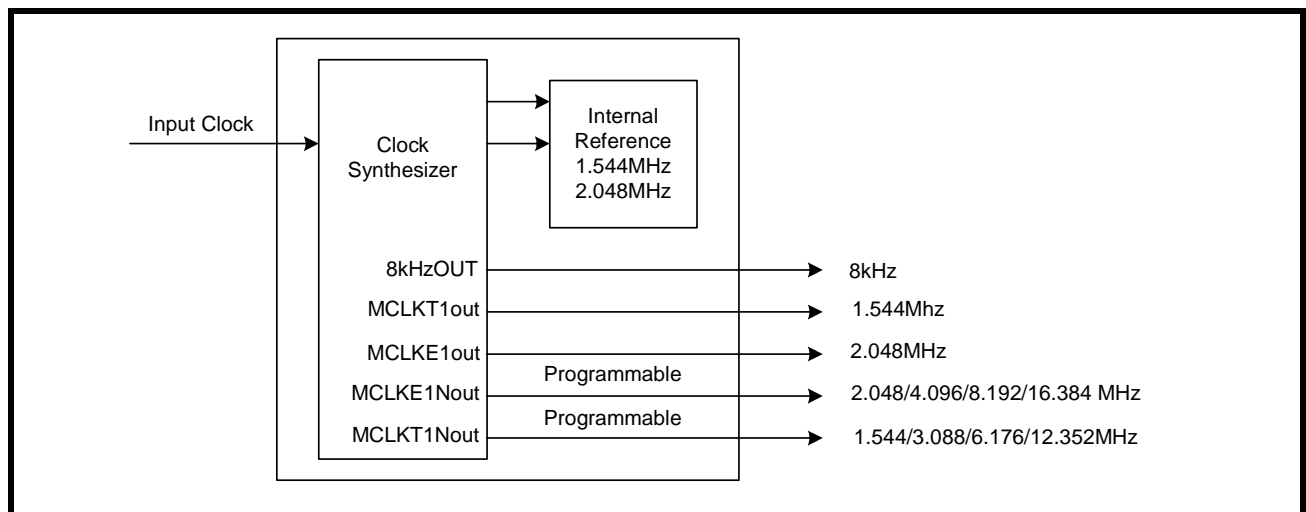
In system design, fewer clocks on the network card could reduce noise and interference. Network cards that support both T1 and E1 modes must be able to produce 1.544MHz and 2.048MHz transmission data. The XRT83VSH314 has a built in clock synthesizer that requires only one input clock reference by programming CLKSEL[3:0] in the appropriate global register. A list of the input clock options is shown in Table 1.

**TABLE 1: INPUT CLOCK SOURCE SELECT**

| CLKSEL[3:0] | INPUT CLOCK REFERENCE |
|-------------|-----------------------|
| 0h (0000)   | 2.048 MHz             |
| 1h (0001)   | 1.544MHz              |
| 8h (1000)   | 4.096 MHz             |
| 9h (1001)   | 3.088 MHz             |
| Ah (1010)   | 8.192 MHz             |
| Bh (1011)   | 6.176 MHz             |
| Ch (1100)   | 16.384 MHz            |
| Dh (1101)   | 12.352 MHz            |
| Eh (1110)   | 2.048 MHz             |
| Fh (1111)   | 1.544 MHz             |

The single input clock reference is used to generate multiple timing references. The first objective of the clock synthesizer is to generate 1.544MHz and 2.048MHz for each of the 14 channels. This allows each channel to operate in either T1 or E1 mode independent from the other channels. The state of the equalizer control bits in the appropriate channel registers determine whether the LIU operates in T1 or E1 mode. The second objective is to generate additional output clock references for system use. The available output clock references are shown in Figure 2.

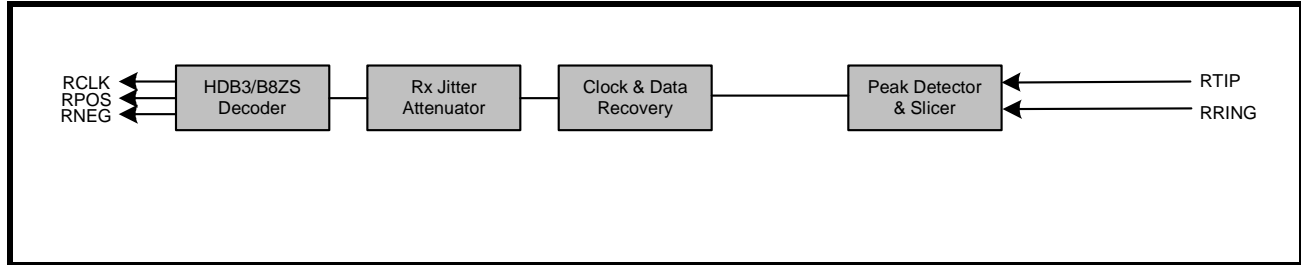
**FIGURE 2. SIMPLIFIED BLOCK DIAGRAM OF THE CLOCK SYNTHESIZER**



**3.0 RECEIVE PATH LINE INTERFACE**

The receive path of the XRT83VSH314 LIU consists of 14 independent T1/E1/J1 receivers. The following section describes the complete receive path from RTIP/RRING inputs to RCLK/RPOS/RNEG outputs. A simplified block diagram of the receive path is shown in Figure 3.

**FIGURE 3. SIMPLIFIED BLOCK DIAGRAM OF THE RECEIVE PATH**



**3.1 Line Termination (RTIP/RRING)**

**3.1.1 Internal Termination**

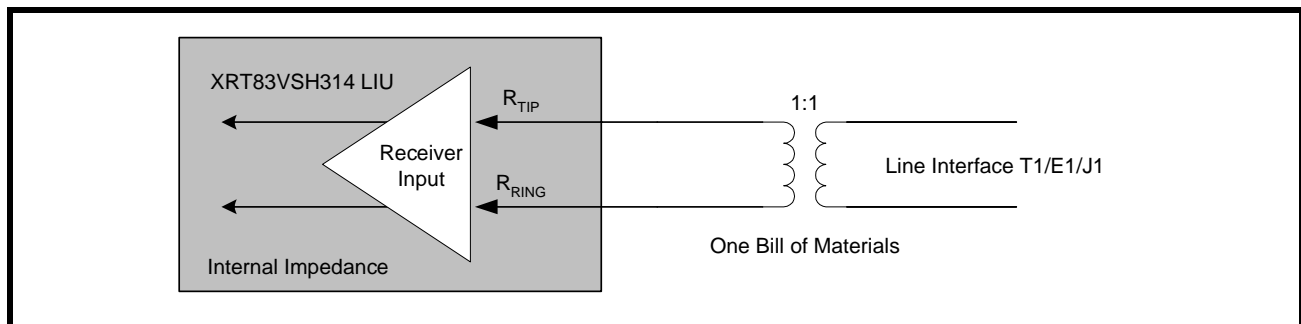
The input stage of the receive path accepts standard T1/E1/J1 twisted pair or E1 coaxial cable inputs through RTIP and RRING. The physical interface is optimized by placing the terminating impedance inside the LIU. This allows one bill of materials for all modes of operation reducing the number of external components necessary in system design. The receive termination impedance (along with the transmit impedance) is selected by programming TERSEL[1:0] to match the line impedance. Selecting the internal impedance is shown in Table 2.

**TABLE 2: SELECTING THE INTERNAL IMPEDANCE**

| TERSEL[1:0] | RECEIVE TERMINATION |
|-------------|---------------------|
| 0h (00)     | 100Ω                |
| 1h (01)     | 110Ω                |
| 2h (10)     | 75Ω                 |
| 3h (11)     | 120Ω                |

The XRT83VSH314 has the ability to switch the internal termination to "High" impedance by programming RxTSEL in the appropriate channel register. For internal termination, set RxTSEL to "1". By default, RxTSEL is set to "0" ("High" impedance). For redundancy applications, a dedicated hardware pin (RxTSEL) is also available to control the receive termination for all channels simultaneously. This hardware pin takes priority over the register setting if RxTCNTL is set to "1" in the appropriate global register. If RxTCNTL is set to "0", the state of this pin is ignored. See Figure 4 for a typical connection diagram using the internal termination.

**FIGURE 4. TYPICAL CONNECTION DIAGRAM USING INTERNAL TERMININATION**



**TABLE 3: RECEIVE TERMINATIONS**

| RXTSEL | TERSEL1 | TERSEL0 | RXRES1 | RXRES0 | R <sub>ext</sub> | R <sub>int</sub> | MODE     |
|--------|---------|---------|--------|--------|------------------|------------------|----------|
| 0      | x       | x       | x      | x      | R <sub>ext</sub> | ∞                | T1/E1/J1 |
| 1      | 0       | 0       | 0      | 0      | ∞                | 100Ω             | T1       |
| 1      | 0       | 1       | 0      | 0      | ∞                | 110Ω             | J1       |
| 1      | 1       | 0       | 0      | 0      | ∞                | 75Ω              | E1       |
| 1      | 1       | 1       | 0      | 0      | ∞                | 120Ω             | E1       |
| 1      | 0       | 0       | 0      | 1      | 240Ω             | 172Ω             | T1       |
| 1      | 0       | 1       | 0      | 1      | 240Ω             | 204Ω             | J1       |
| 1      | 1       | 0       | 0      | 1      | 240Ω             | 108Ω             | E1       |
| 1      | 1       | 1       | 0      | 1      | 240Ω             | 240Ω             | E1       |
| 1      | 0       | 0       | 1      | 0      | 210Ω             | 192Ω             | T1       |
| 1      | 0       | 1       | 1      | 0      | 210Ω             | 232Ω             | J1       |
| 1      | 1       | 0       | 1      | 0      | 210Ω             | 116Ω             | E1       |
| 1      | 1       | 1       | 1      | 0      | 210Ω             | 280Ω             | E1       |
| 1      | 0       | 0       | 1      | 1      | 150Ω             | 300Ω             | T1       |
| 1      | 0       | 1       | 1      | 1      | 150Ω             | 412Ω             | J1       |
| 1      | 1       | 0       | 1      | 1      | 150Ω             | 150Ω             | E1       |
| 1      | 1       | 1       | 1      | 1      | 150Ω             | 600Ω             | E1       |

**3.2 Clock and Data Recovery**

The receive clock (RCLK) is recovered by the clock and data recovery circuitry. An internal PLL locks on the incoming data stream and outputs a clock that's in phase with the incoming signal. This allows for multi-channel T1/E1/J1 signals to arrive from different timing sources and remain independent. In the absence of an incoming signal, RCLK maintains its timing by using the internal master clock as its reference. The recovered data can be updated on either edge of RCLK. By default, data is updated on the rising edge of RCLK. To update data on the falling edge of RCLK, set RCLKE to "1" in the appropriate global register. Figure 5 is a timing diagram of the receive data updated on the rising edge of RCLK. Figure 6 is a timing diagram of the receive data updated on the falling edge of RCLK. The timing specifications are shown in Table 4.

FIGURE 5. RECEIVE DATA UPDATED ON THE RISING EDGE OF RCLK

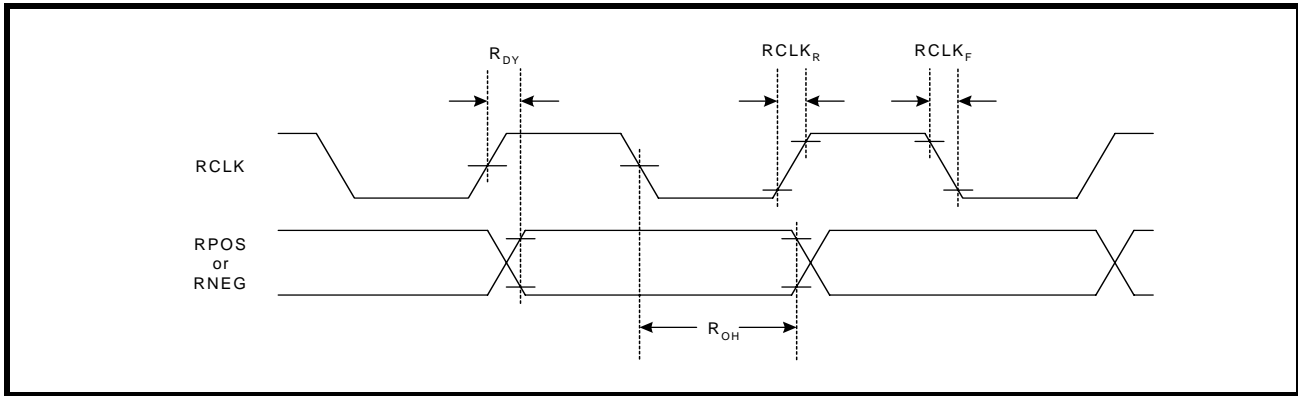


FIGURE 6. RECEIVE DATA UPDATED ON THE FALLING EDGE OF RCLK

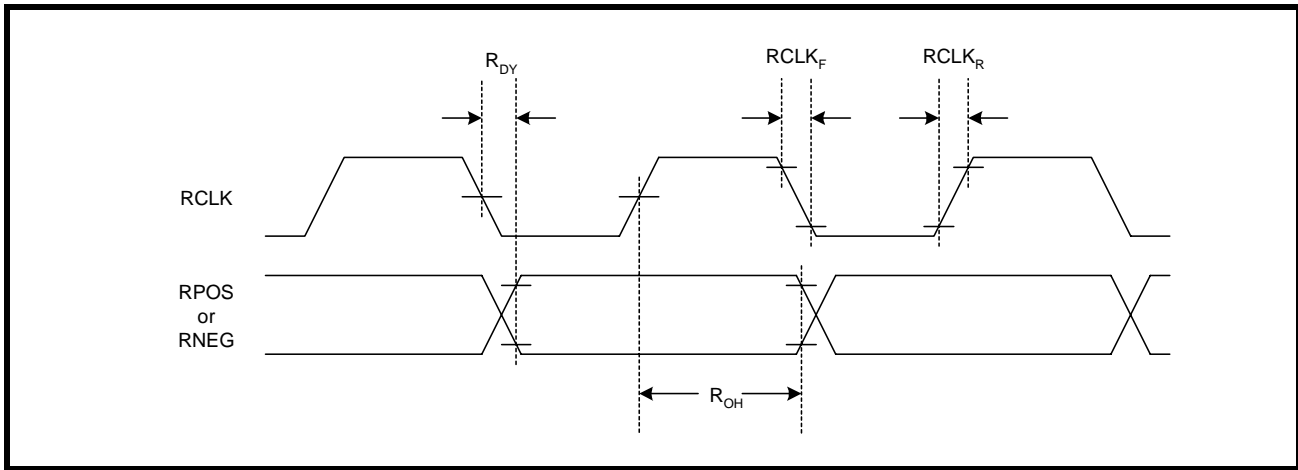


TABLE 4: TIMING SPECIFICATIONS FOR RCLK/RPOS/RNEG

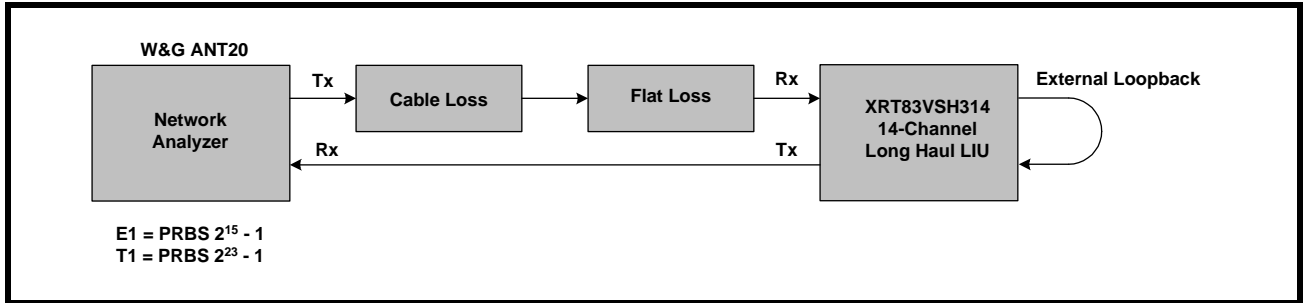
| PARAMETER                                     | SYMBOL      | MIN | TYP | MAX | UNITS |
|---|-------------|-----|-----|-----|-------|
| RCLK Duty Cycle                               | $R_{CDU}$   | 45  | 50  | 55  | %     |
| Receive Data Setup Time                       | $R_{SU}$    | 150 | -   | -   | ns    |
| Receive Data Hold Time                        | $R_{HO}$    | 150 | -   | -   | ns    |
| RCLK to Data Delay                            | $R_{DY}$    | -   | -   | 40  | ns    |
| RCLK Rise Time (10% to 90%) with 25pF Loading | $R_{CLK_R}$ | -   | -   | 40  | ns    |
| RCLK Fall Time (90% to 10%) with 25pF Loading | $R_{CLK_F}$ | -   | -   | 40  | ns    |

NOTE:  $V_{DD}=3.3V \pm 5\%$ ,  $V_{DDc}=1.8V \pm 5\%$ ,  $T_A=25^\circ C$ , Unless Otherwise Specified

**3.2.1 Receive Sensitivity**

To meet short haul requirements, the XRT83VSH314 can accept T1/E1/J1 signals that have been attenuated by 6dB of cable loss plus 6db of flat loss . Although data integrity is maintained, the RLOS function (if enabled) will report an RLOS condition according to the receiver loss of signal section in this datasheet. The test configuration for measuring the receive sensitivity is shown in Figure 7.

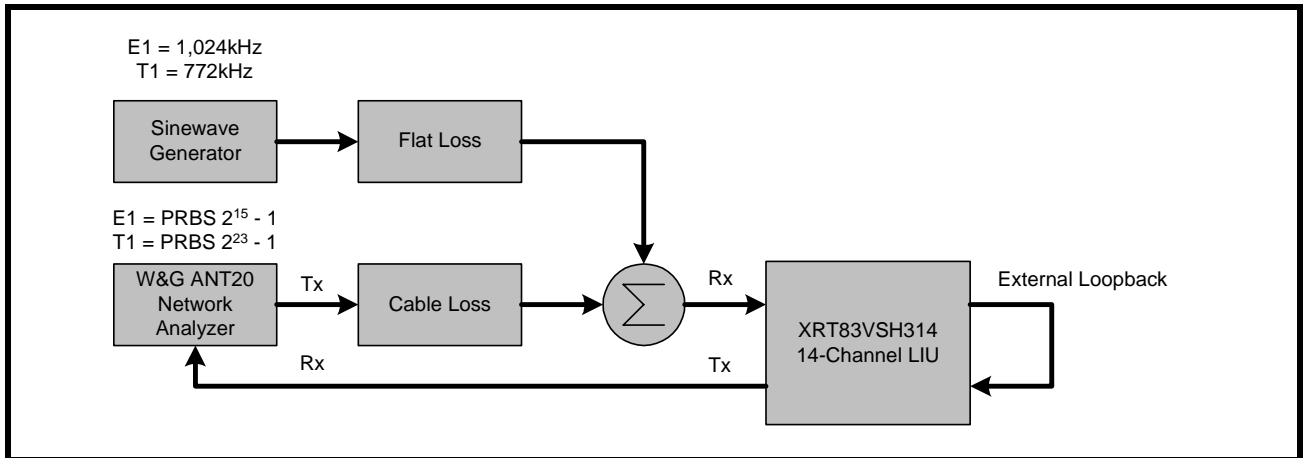
**FIGURE 7. TEST CONFIGURATION FOR MEASURING RECEIVE SENSIVITY**



**3.2.2 Interference Margin**

The test configuration for measuring the interference margin is shown in Figure 8.

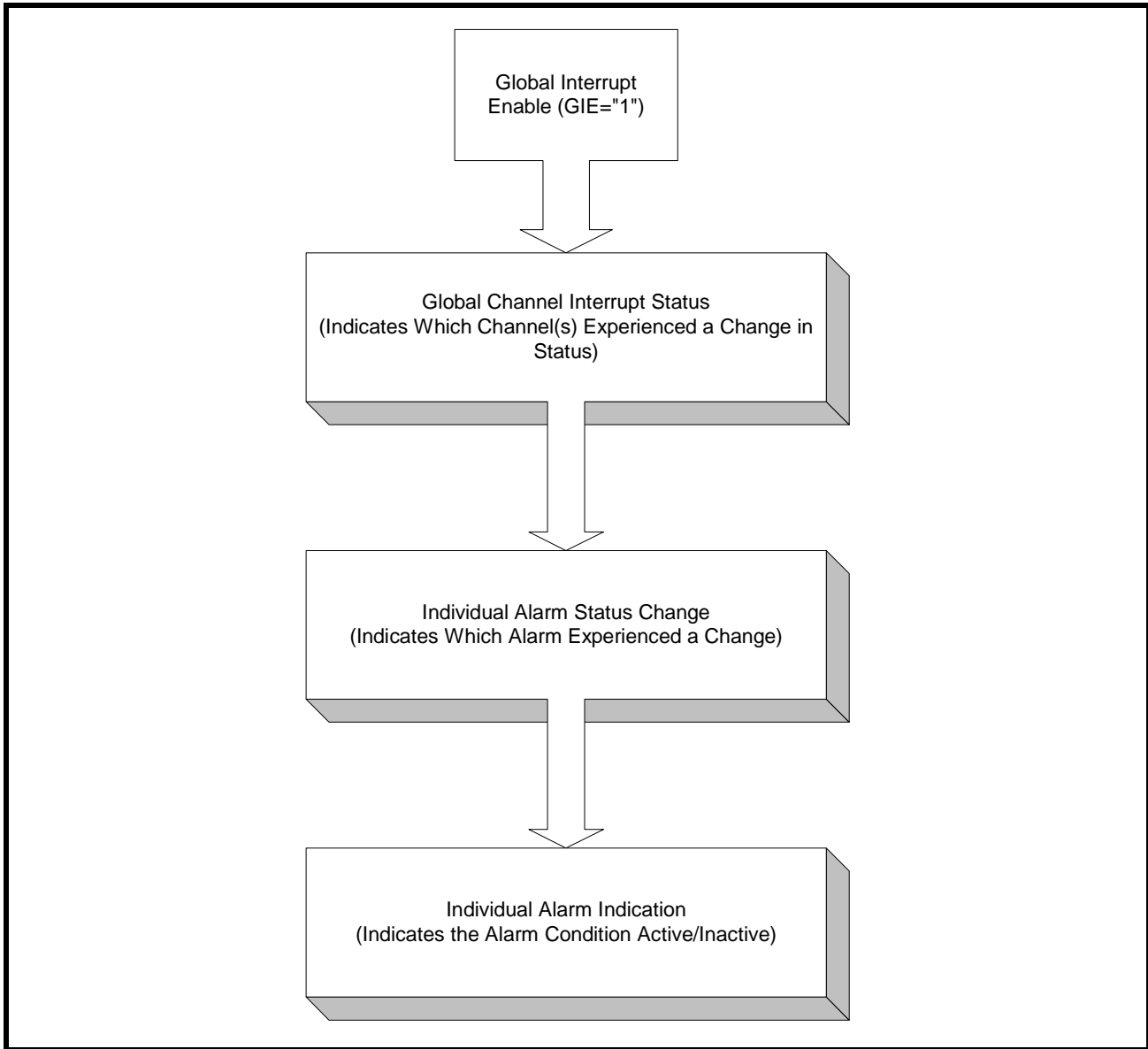
**FIGURE 8. TEST CONFIGURATION FOR MEASURING INTERFERENCE MARGIN**



**3.2.3 General Alarm Detection and Interrupt Generation**

The receive path detects RLOS, AIS, QRPD and FLS. These alarms can be individually masked to prevent the alarm from triggering an interrupt. To enable interrupt generation, the Global Interrupt Enable (GIE) bit must be set "High" in the appropriate global register. Any time a change in status occurs (if the alarms are enabled), the interrupt pin will pull "Low" to indicate an alarm has occurred. Once the status registers have been read, the INT pin will return "High". The status registers are Reset Upon Read (RUR). The interrupts are categorized in a hierarchical process block. Figure 9 is a simplified block diagram of the interrupt generation process.

**FIGURE 9. INTERRUPT GENERATION PROCESS BLOCK**



**NOTE:** The interrupt pin is an open-drain output that requires a 10kΩ external pull-up resistor.



### **3.2.3.1 RLOS (Receiver Loss of Signal)**

The XRT83VSH314 supports both G.775 or ETSI-300-233 RLOS detection scheme.

In G.775 mode, RLOS is declared when the received signal is less than 375mV for 32 consecutive pulse periods (typical). The device clears RLOS when the receive signal achieves 12.5% ones density with no more than 15 consecutive zeros in a 32 bit sliding window and the signal level exceeds 425mV (typical).

In ETSI-300-233 mode the device declares RLOS when the input level drops below 375mV (typical) for more than 2048 pulse periods (1msec).

The device exits RLOS when the input signal exceeds 425mV (typical) and has transitions for more than 32 pulse periods with 12.5% ones density with no more than 15 consecutive zero's in a 32 bit sliding window. ETSI-300-233 RLOS detection method is only available in Host mode.

In T1 mode RLOS is declared when the received signal is less than 320mV for 175 consecutive pulse period (typical). The device clears RLOS when the receive signal achieves 12.5% ones density with no more than 100 consecutive zeros in a 128 bit sliding window and the signal level exceeds 425mV (typical).

### **3.2.3.2 EXLOS (Extended Loss of Signal)**

By enabling the extended loss of signal by programming the appropriate channel register, the digital RLOS is extended to count 4,096 consecutive zeros before declaring RLOS in T1 and E1 mode. By default, EXLOS is disabled and RLOS operates in normal mode.

### **3.2.3.3 AIS (Alarm Indication Signal)**

The XRT83VSH314 adheres to the ITU-T G.775 specification for an all ones pattern. The alarm indication signal is set to "1" if an all ones pattern (at least 99.9% ones density) is present for T, where T is 3ms to 75ms in T1 mode. AIS will clear when the ones density is not met within the same time period T. In E1 mode, the AIS is set to "1" if the incoming signal has 2 or less zeros in a 512-bit window. AIS will clear when the incoming signal has 3 or more zeros in the 512-bit window.

### **3.2.4 FLSD (FIFO Limit Status Detection)**

The purpose of the FIFO limit status is to indicate when the Read and Write FIFO pointers are within a pre-determined range (over-flow or under-flow indication). The FLSD is set to "1" if the FIFO Read and Write Pointers are within  $\pm 3$ -Bits.

### **3.2.4.1 LCVD (Line Code Violation Detection)**

The LIU contains 14 independent, 16-bit LCV counters. When the counters reach full-scale, they remain saturated at FFFFh until they are reset globally or on a per channel basis. For performance monitoring, the counters can be updated globally or on a per channel basis to place the contents of the counters into holding registers. The LIU uses an indirect address bus to access a counter for a given channel. Once the contents of the counters have been placed in holding registers, they can be individually read out from register 0xE8h 8-bits at a time according to the BYTEsel bit in the appropriate global register. By default, the LSB byte is in register 0xE8h until the BYTEsel is pulled "High" where upon the MSB byte will be placed in the register for read back. Once both bytes have been read, the next channel may be selected for read back.

By default, the LCV\_OFD will be set to a "1" if the receiver is currently detecting line code violations or excessive zeros for HDB3 (E1 mode) or B8ZS (T1 mode). In AMI mode, the LCVD will be set to a "1" if the receiver is currently detecting bipolar violations or excessive zeros. However, if the LIU is configured to monitor the 16-bit LCV counter by programming the appropriate global register, the LCV\_OFD will be set to a "1" if the counter saturates.

14-CHANNEL T1/E1/J1 SHORT-HAUL LINE INTERFACE UNIT

**3.3 Jitter Attenuator**

The jitter attenuator reduces phase and frequency jitter in the recovered clock if it is selected in the receive path. The jitter attenuator uses a data FIFO (First In First Out) with a programmable depth of 32-bit or 64-bit. If the LIU is used for line synchronization (loop timing systems), the JA should be enabled in the receive path. When the Read and Write pointers of the FIFO are within 2-Bits of over-flowing or under-flowing, the bandwidth of the jitter attenuator is widened to track the short term input jitter, thereby avoiding data corruption. When this condition occurs, the jitter attenuator will not attenuate input jitter until the Read/Write pointer's position is outside the 2-Bit window. In T1 mode, the bandwidth of the JA is always set to 3Hz. In E1 mode, the bandwidth is programmable to either 10Hz or 1.5Hz (1.5Hz automatically selects the 64-Bit FIFO depth). The JA has a clock delay equal to 1/2 of the FIFO bit depth.

**NOTE:** If the LIU is used in a multiplexer/mapper application where stuffing bits are typically removed, the jitter attenuator can be selected in the transmit path to smooth out the gapped clock. See the Transmit Section of this datasheet.

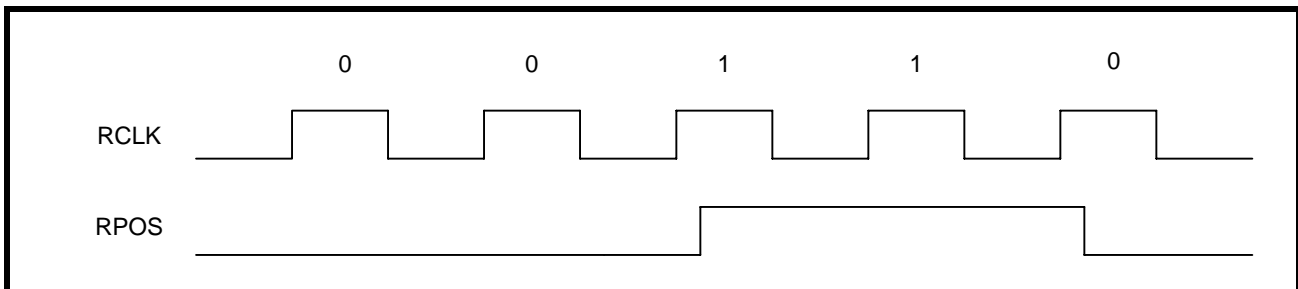
**3.4 HDB3/B8ZS Decoder**

In single rail mode, RPOS can decode AMI or HDB3/B8ZS signals. For E1 mode, HDB3 is defined as any block of 4 successive zeros replaced with 000V or B00V, so that two successive V pulses are of opposite polarity to prevent a DC component. In T1 mode, 8 successive zeros are replaced with 000VB0VB. If the HDB3/B8ZS decoder is selected, the receive path removes the V and B pulses so that the original data is output to RPOS.

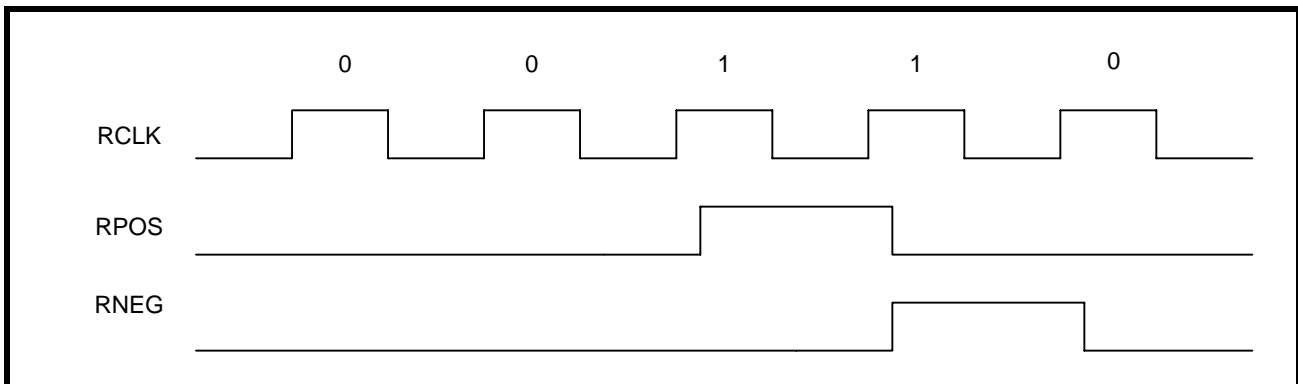
**3.4.0.1 RPOS/RNEG/RCLK**

The digital output data can be programmed to either single rail or dual rail formats. Figure 10 is a timing diagram of a repeating "0011" pattern in single-rail mode. Figure 11 is a timing diagram of the same fixed pattern in dual rail mode.

**FIGURE 10. SINGLE RAIL MODE WITH A FIXED REPEATING "0011" PATTERN**



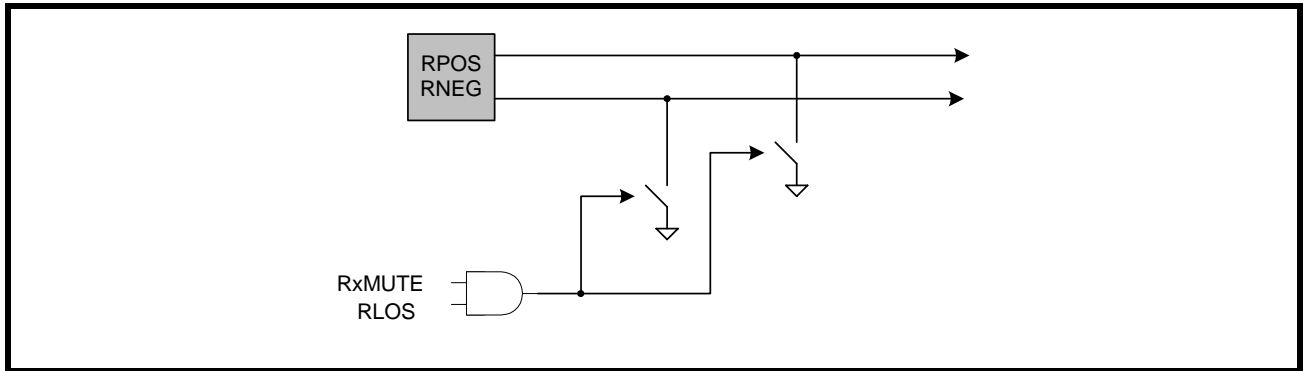
**FIGURE 11. DUAL RAIL MODE WITH A FIXED REPEATING "0011" PATTERN**



### 3.5 RxMUTE (Receiver LOS with Data Muting)

The receive muting function can be selected by setting RxMUTE to "1" in the appropriate global register. If selected, any channel that experiences an RLOS condition will automatically pull RPOS and RNEG "Low" to prevent data chattering. If RLOS does not occur, the RxMUTE will remain inactive until an RLOS on a given channel occurs. The default setting for RxMUTE is "0" which is disabled. A simplified block diagram of the RxMUTE function is shown in Figure 12.

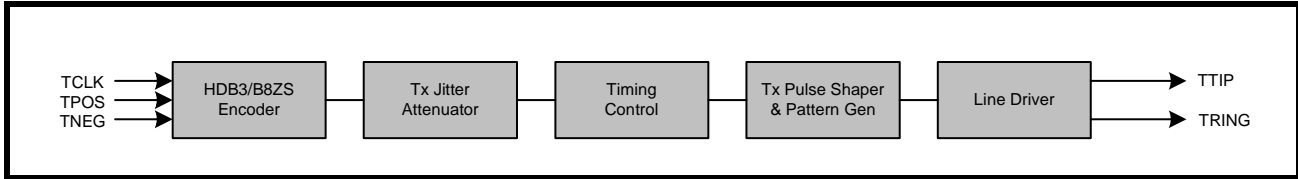
**FIGURE 12. SIMPLIFIED BLOCK DIAGRAM OF THE RxMUTE FUNCTION**



**4.0 TRANSMIT PATH LINE INTERFACE**

The transmit path of the XRT83VSH314 LIU consists of 14 independent T1/E1/J1 transmitters. The following section describes the complete transmit path from TCLK/TPOS/TNEG inputs to TTIP/TRING outputs. A simplified block diagram of the transmit path is shown in Figure 13.

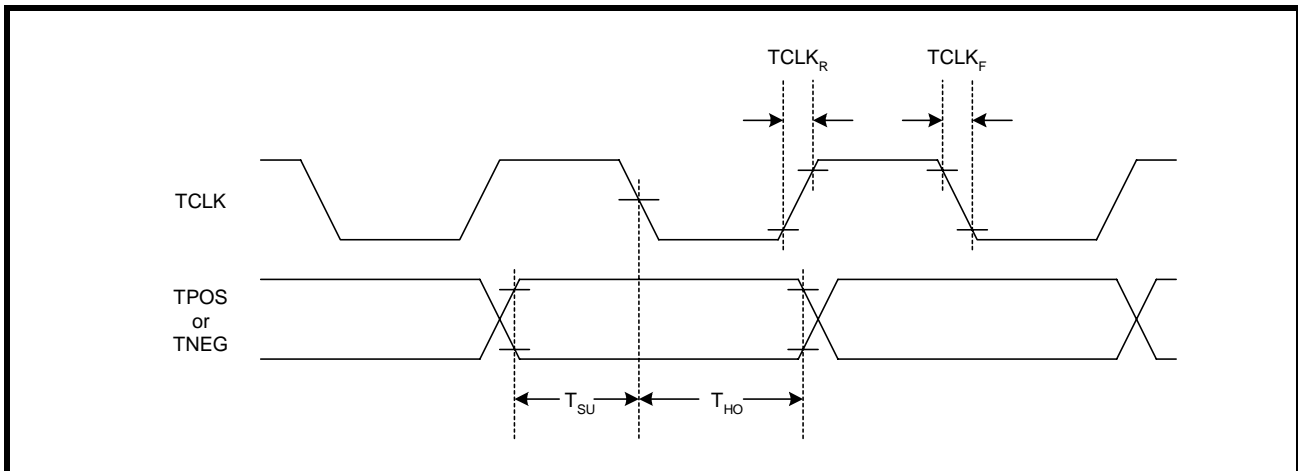
**FIGURE 13. SIMPLIFIED BLOCK DIAGRAM OF THE TRANSMIT PATH**



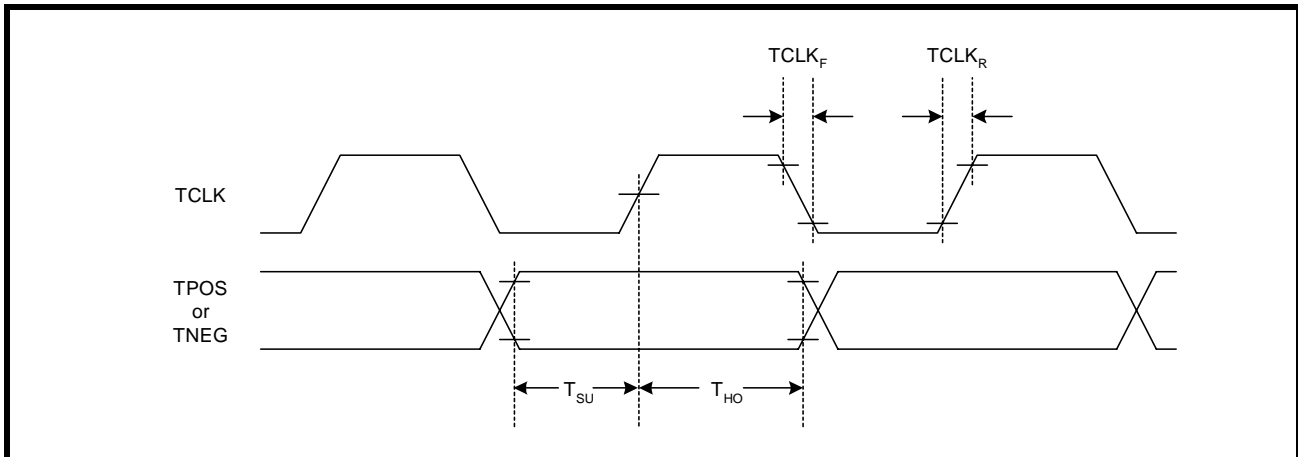
**4.1 TCLK/TPOS/TNEG Digital Inputs**

In dual rail mode, TPOS and TNEG are the digital inputs for the transmit path. In single rail mode, TNEG has no function and can be left unconnected. The XRT83VSH314 can be programmed to sample the inputs on either edge of TCLK. By default, data is sampled on the falling edge of TCLK. To sample data on the rising edge of TCLK, set TCLKE to "1" in the appropriate global register. Figure 14 is a timing diagram of the transmit input data sampled on the falling edge of TCLK. Figure 15 is a timing diagram of the transmit input data sampled on the rising edge of TCLK. The timing specifications are shown in Table 5.

**FIGURE 14. TRANSMIT DATA SAMPLED ON FALLING EDGE OF TCLK**



**FIGURE 15. TRANSMIT DATA SAMPLED ON RISING EDGE OF TCLK**



**TABLE 5: TIMING SPECIFICATIONS FOR TCLK/TPOS/TNEG**

| PARAMETER                   | SYMBOL            | MIN | TYP | MAX | UNITS |
|-----------------------------|-------------------|-----|-----|-----|-------|
| TCLK Duty Cycle             | T <sub>CDU</sub>  | 30  | 50  | 70  | %     |
| Transmit Data Setup Time    | T <sub>SU</sub>   | 50  | -   | -   | ns    |
| Transmit Data Hold Time     | T <sub>HO</sub>   | 30  | -   | -   | ns    |
| TCLK Rise Time (10% to 90%) | TCLK <sub>R</sub> | -   | -   | 40  | ns    |
| TCLK Fall Time (90% to 10%) | TCLK <sub>F</sub> | -   | -   | 40  | ns    |

**NOTE:** VDD=3.3V ±5%, VDDc=1.8V ±5%, T<sub>A</sub>=25°C, Unless Otherwise Specified

#### 4.2 HDB3/B8ZS Encoder

In single rail mode, the LIU can encode the TPOS input signal to AMI or HDB3/B8ZS data. In E1 mode and HDB3 encoding selected, any sequence with four or more consecutive zeros in the input will be replaced with 000V or B00V, where "B" indicates a pulse conforming to the bipolar rule and "V" representing a pulse violating the rule. An example of HDB3 encoding is shown in Table 6. In T1 mode and B8ZS encoding selected, an input data sequence with eight or more consecutive zeros will be replaced using the B8ZS encoding rule. An example with Bipolar with 8 Zero Substitution is shown in Table 7.

**TABLE 6: EXAMPLES OF HDB3 ENCODING**

|               | NUMBER OF PULSES BEFORE NEXT 4 ZEROS |      |
|---------------|--------------------------------------|------|
| Input         |                                      | 0000 |
| HDB3 (Case 1) | Odd                                  | 000V |
| HDB3 (Case 2) | Even                                 | B00V |

**TABLE 7: EXAMPLES OF B8ZS ENCODING**

| CASE          | PRECEDING PULSE | NEXT 8 BITS |
|---------------|-----------------|-------------|
| <b>Case 1</b> | +               | 00000000    |
| B8ZS          |                 | 000VB0VB    |
| AMI Output    | +               | 000+-0-+    |
| <b>Case 2</b> |                 |             |
| Input         | -               | 00000000    |
| B8ZS          |                 | 000VB0VB    |
| AMI Output    | -               | 000-+0+-    |

**4.3 Jitter Attenuator**

The XRT83VSH314 LIU is ideal for multiplexer or mapper applications where the network data crosses multiple timing domains. As the higher data rates are de-multiplexed down to T1 or E1 data, stuffing bits are typically removed which can leave gaps in the incoming data stream. The jitter attenuator can be selected in the transmit path with a 32-Bit or 64-Bit FIFO that is used to smooth the gapped clock into a steady T1 or E1 output. The maximum gap width of the 14-Channel LIU is shown in Table 8.

**TABLE 8: MAXIMUM GAP WIDTH FOR MULTIPLEXER/MAPPER APPLICATIONS**

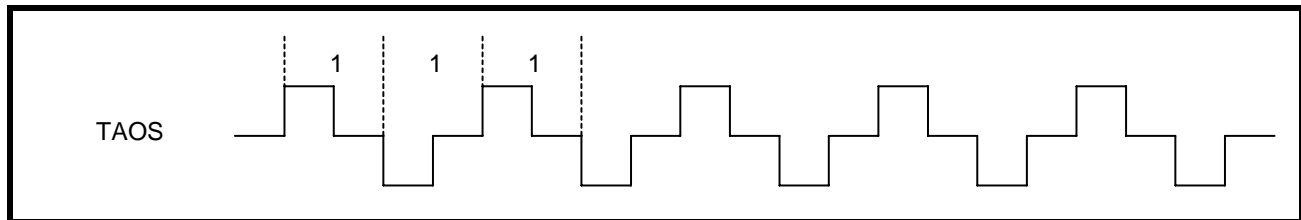
| FIFO DEPTH | MAXIMUM GAP WIDTH |
|------------|-------------------|
| 32-Bit     | 9 UI              |
| 64-Bit     | 9 UI              |

**NOTE:** If the LIU is used in a loop timing system, the jitter attenuator can be selected in the receive path. See the Receive Section of this datasheet.

**4.4 TAOS (Transmit All Ones)**

The XRT83VSH314 has the ability to transmit all ones on a per channel basis by programming the appropriate channel register. This function takes priority over the digital data present on the TPOS/TNEG inputs. For example: If a fixed "0011" pattern is present on TPOS in single rail mode and TAOS is enabled, the transmitter will output all ones. In addition, if digital or dual loopback is selected, the data on the RPOS output will be equal to the data on the TPOS input. Figure 16 is a diagram showing the all ones signal at TTIP and TRING.

**FIGURE 16. TAOS (TRANSMIT ALL ONES)**



**4.5 Transmit Diagnostic Features**

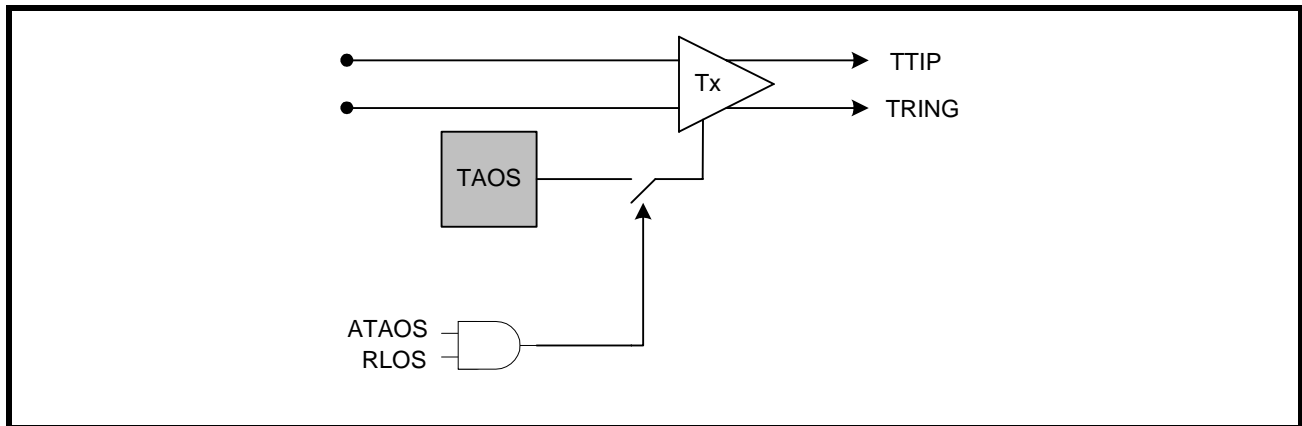
In addition to TAOS, the XRT83VSH314 offers multiple diagnostic features for analyzing network integrity such as ATAOS and QRSS on a per channel basis by programming the appropriate registers. These diagnostic features take priority over the digital data present on TPOS/TNEG inputs. The transmitters will send the diagnostic code to the line and will be maintained in the digital loopback if selected. When the LIU is responsible for sending diagnostic patterns, the LIU is automatically placed in the single rail mode.

**NOTE:** Dual and Remote Loopback have priority over TAOS.

**4.5.1 ATAOS (Automatic Transmit All Ones)**

If ATAOS is selected by programming the appropriate global register, an AMI all ones signal will be transmitted for each channel that experiences an RLOS condition. If RLOS does not occur, the ATAOS will remain inactive until an RLOS on a given channel occurs. A simplified block diagram of the ATAOS function is shown in Figure 17.

**FIGURE 17. SIMPLIFIED BLOCK DIAGRAM OF THE ATAOS FUNCTION**



**4.5.2 QRSS/PRBS Generation**

The XRT83VSH314 can transmit a QRSS/PRBS random sequence to a remote location from TTIP/TRING. To select QRSS or PRBS, see the register map for programming details. The polynomial is shown in Table 9.

**TABLE 9: RANDOM BIT SEQUENCE POLYNOMIALS**

| RANDOM PATTERN | T1           | E1           |
|----------------|--------------|--------------|
| QRSS           | $2^{20} - 1$ | $2^{20} - 1$ |
| PRBS           | $2^{15} - 1$ | $2^{15} - 1$ |

**4.6 Transmit Pulse Shaper and Filter**

If TCLK is not present, pulled "Low", or pulled "High" the transmitter outputs at TTIP/TRING will automatically send an all ones or an all zero signal to the line by programming the appropriate global register. By default, the transmitters will send all zeros. To send all ones, the TCLKCNL bit must be set "High".

**4.6.1 T1 Short Haul Line Build Out (LBO)**

The short haul transmitter output pulses are generated using a 7-Bit internal DAC (6-Bit plus the MSB sign bit). The line build out can be set to interface to five different ranges of cable attenuation by programming the appropriate channel register. The pulse shape is divided into eight discrete time segments which are set to fixed values to comply with the pulse template. The short haul LBO settings are shown in Table 10.

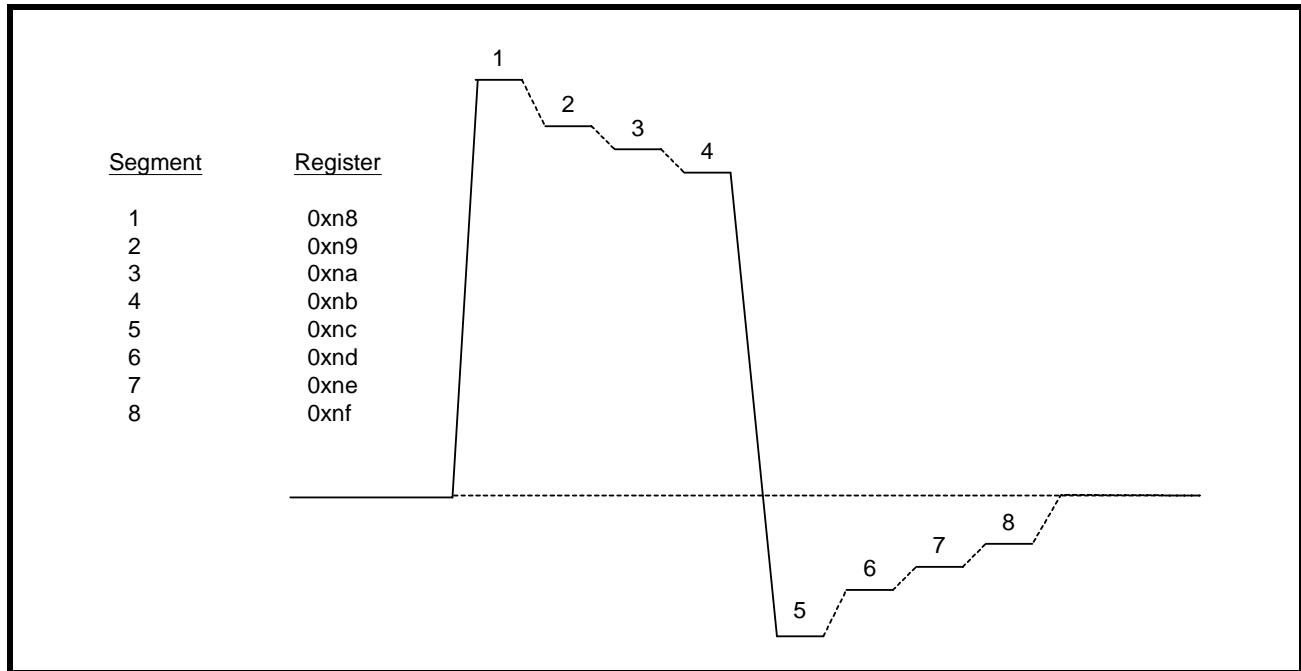
**TABLE 10: SHORT HAUL LINE BUILD OUT**

| LBO SETTING EQC[4:0] | RANGE OF CABLE ATTENUATION |
|----------------------|----------------------------|
| 08h (01000)          | 0 - 133 Feet               |
| 09h (01001)          | 133 - 266 Feet             |
| 0Ah (01010)          | 266 - 399 Feet             |
| 0Bh (01011)          | 399 - 533 Feet             |
| 0Ch (01100)          | 533 - 655 Feet             |

**4.6.2 Arbitrary Pulse Generator For T1 and E1**

The arbitrary pulse generator divides the pulse into eight individual segments. Each segment is set by a 7-Bit binary word by programming the appropriate channel register. This allows the system designer to set the overshoot, amplitude, and undershoot for a unique line build out. The MSB (bit 7) is a sign-bit. If the sign-bit is set to "0", the segment will move in a positive direction relative to a flat line (zero) condition. If this sign-bit is set to "1", the segment will move in a negative direction relative to a flat line condition. The resolution of the DAC is typically 45mV per LSB. Thus, writing 7-bit = 1111111 will clamp the output at either voltage rail corresponding to a maximum amplitude. A pulse with numbered segments is shown in Figure 18.

**FIGURE 18. ARBITRARY PULSE SEGMENT ASSIGNMENT**



**NOTE:** By default, the arbitrary segments are programmed to 0x00h. The transmitter outputs will result in an all zero pattern to the line interface.

**4.6.3 Setting Registers to select an Arbitrary Pulse**

For T1: Address: 0x0D hex

For E1: Address: 0xF4 hex, bit D0

To program the transmit output pulse, once the arbitrary pulse has been selected, write the appropriate values into the segment registers in Table 11.

The transmit output pulse is divided into eight individual segments. Segment 1 corresponds to the beginning of the pulse and segment 8 to end the pulse. The value for each segment can be programmed individually through a corresponding 8-bit register. In normal operation, i.e., non-arbitrary mode, codes are stored in an internal ROM are used to generate the pulse shape, as shown in Table 11. Typical ROM values are given below in Hex.



**TABLE 11: TYPICAL ROM VALUES**

| LINE DISTANCE | SEGMENT # |    |    |    |    |    |    |    |
|---------------|-----------|----|----|----|----|----|----|----|
|               | 1         | 2  | 3  | 4  | 5  | 6  | 7  | 8  |
| FEET          |           |    |    |    |    |    |    |    |
| 0 - 133       | 24        | 21 | 20 | 20 | 4C | 47 | 44 | 42 |
| 133 - 266     | 29        | 23 | 22 | 21 | 4E | 4A | 47 | 43 |
| 266 - 399     | 30        | 25 | 24 | 23 | 59 | 40 | 48 | 44 |
| 399 - 525     | 34        | 26 | 24 | 23 | 5F | 50 | 48 | 44 |
| 525 - 655     | 39        | 28 | 25 | 23 | 59 | 50 | 48 | 44 |
| E1            | 2C        | 2A | 2A | 00 | 00 | 00 | 00 | 00 |

**NOTE:** The same register bank (eight registers in total) holds the values for any given line length. In other words, the user can not load all the desired values for all the line lengths into the device at one time. If the line length is changed, a new code must be loaded into the register bank.

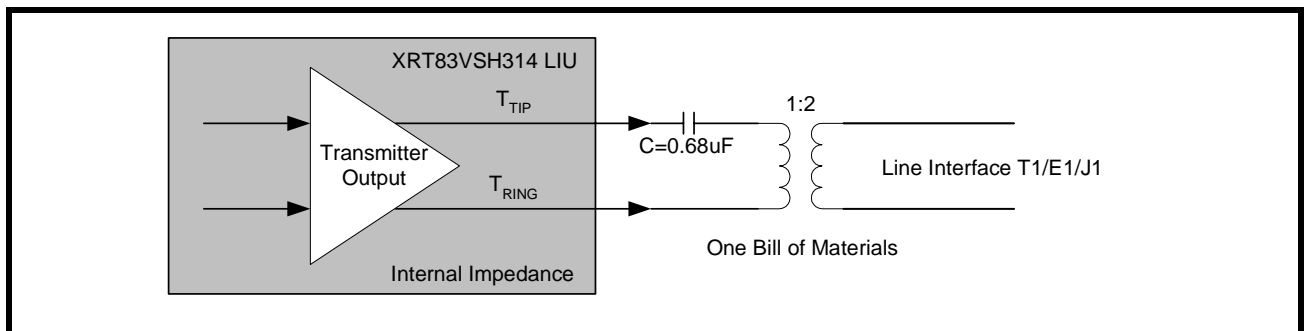
**4.7 DMO (Digital Monitor Output)**

The driver monitor circuit is used to detect transmit driver failures by monitoring the activities at TTIP/TRING outputs. Driver failure may be caused by a short circuit in the primary transformer or system problems at the transmit inputs. If the transmitter of a channel has no output for more than 128 clock cycles, DMO goes "High" until a valid transmit pulse is detected. If the DMO interrupt is enabled, the change in status of DMO will cause the interrupt pin to go "Low". Once the status register is read, the interrupt pin will return "High" and the status register will be reset (RUR).

**4.8 Line Termination (TTIP/TRING)**

The output stage of the transmit path generates standard return-to-zero (RZ) signals to the line interface for T1/E1/J1 twisted pair or E1 coaxial cable. The physical interface is optimized by placing the terminating impedance inside the LIU. This allows one bill of materials for all modes of operation reducing the number of external components necessary in system design. The transmitter outputs only require one DC blocking capacitor of 0.68μF. For redundancy applications (or simply to tri-state the transmitters), set TxTSEL to a "1" in the appropriate channel register. A typical transmit interface is shown in Figure 19.

**FIGURE 19. TYPICAL CONNECTION DIAGRAM USING INTERNAL TERMINATION**



**5.0 T1/E1 APPLICATIONS**

This applications section describes common T1/E1 system considerations along with references to application notes available for reference where applicable.

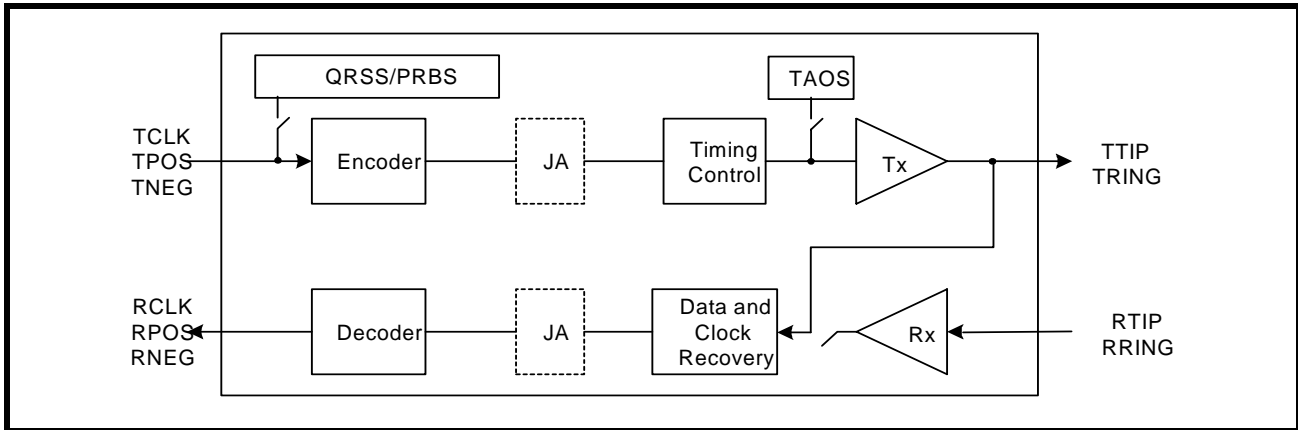
**5.1 Loopback Diagnostics**

The XRT83VSH314 supports several loopback modes for diagnostic testing. The following section describes the local analog loopback, remote loopback, digital loopback, and dual loopback modes.

**5.1.1 Local Analog Loopback**

With local analog loopback activated, the transmit output data at TTIP/TRING is internally looped back to the analog inputs at RTIP/RRING. External inputs at RTIP/RRING are ignored while valid transmit output data continues to be sent to the line. A simplified block diagram of local analog loopback is shown in Figure 20.

**FIGURE 20. SIMPLIFIED BLOCK DIAGRAM OF LOCAL ANALOG LOOPBACK**

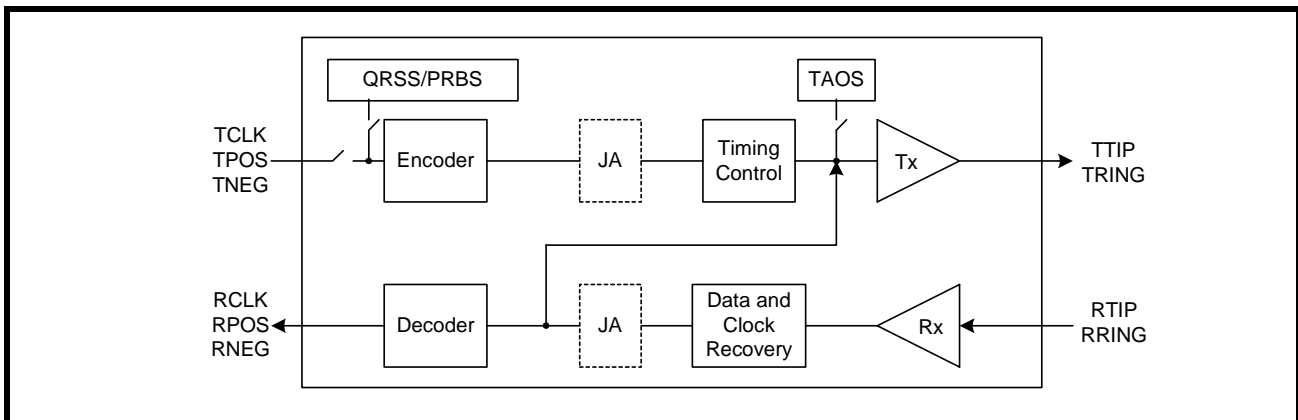


**NOTE:** The transmit diagnostic features such as TAOS and QRSS take priority over the transmit input data at TCLK/TPOS/TNEG.

**5.1.2 Remote Loopback**

With remote loopback activated, the receive input data at RTIP/RRING is internally looped back to the transmit output data at TTIP/TRING. The remote loopback includes the Receive JA (if enabled). The transmit input data at TCLK/TPOS/TNEG are ignored while valid receive output data continues to be sent to the system. A simplified block diagram of remote loopback is shown in Figure 21.

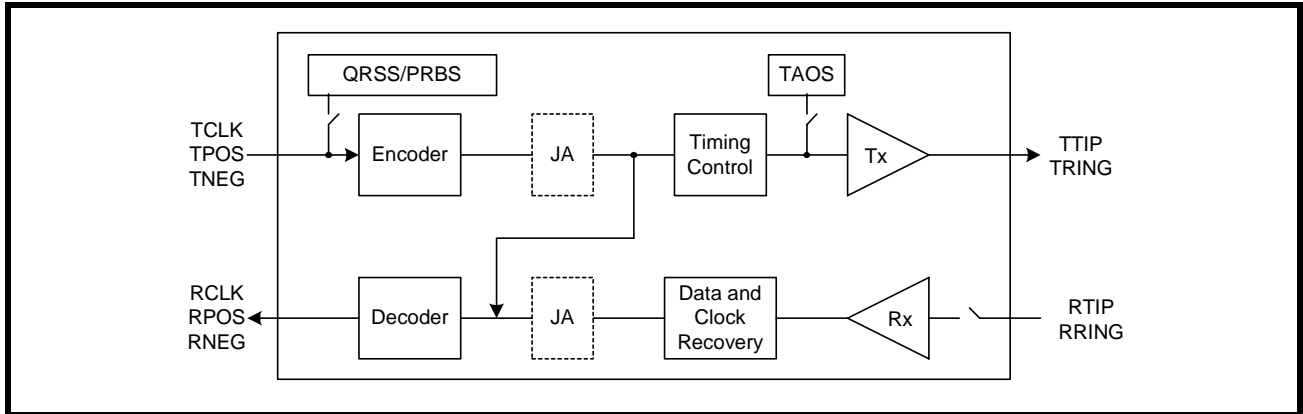
**FIGURE 21. SIMPLIFIED BLOCK DIAGRAM OF REMOTE LOOPBACK**



**5.1.3 Digital Loopback**

With digital loopback activated, the transmit input data at TCLK/TPOS/TNEG is looped back to the receive output data at RCLK/RPOS/RNEG. The digital loopback mode includes the Transmit JA (if enabled). The receive input data at RTIP/RRING is ignored while valid transmit output data continues to be sent to the line. A simplified block diagram of digital loopback is shown in Figure 22.

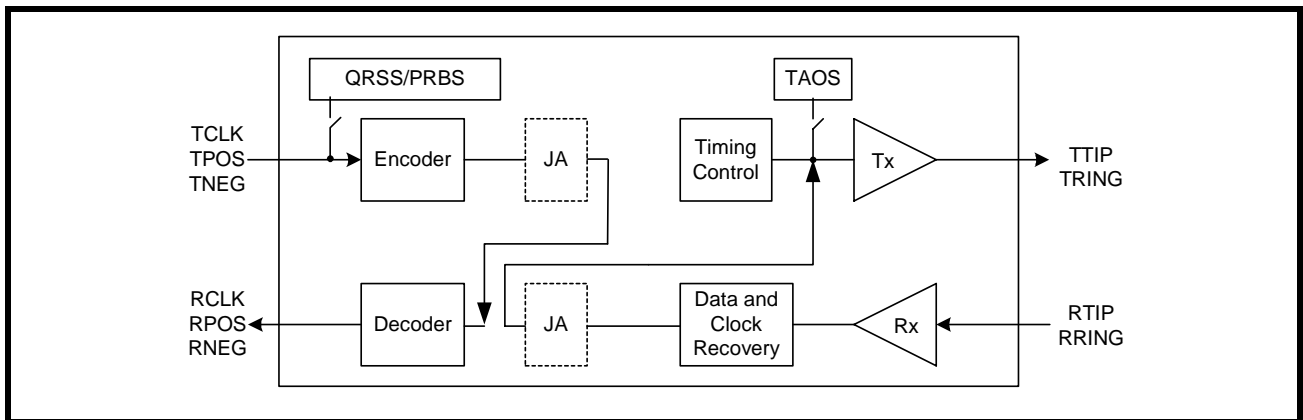
**FIGURE 22. SIMPLIFIED BLOCK DIAGRAM OF DIGITAL LOOPBACK**



**5.1.4 Dual Loopback**

With dual loopback activated, the remote loopback is combined with the digital loopback. A simplified block diagram of dual loopback is shown in Figure 23.

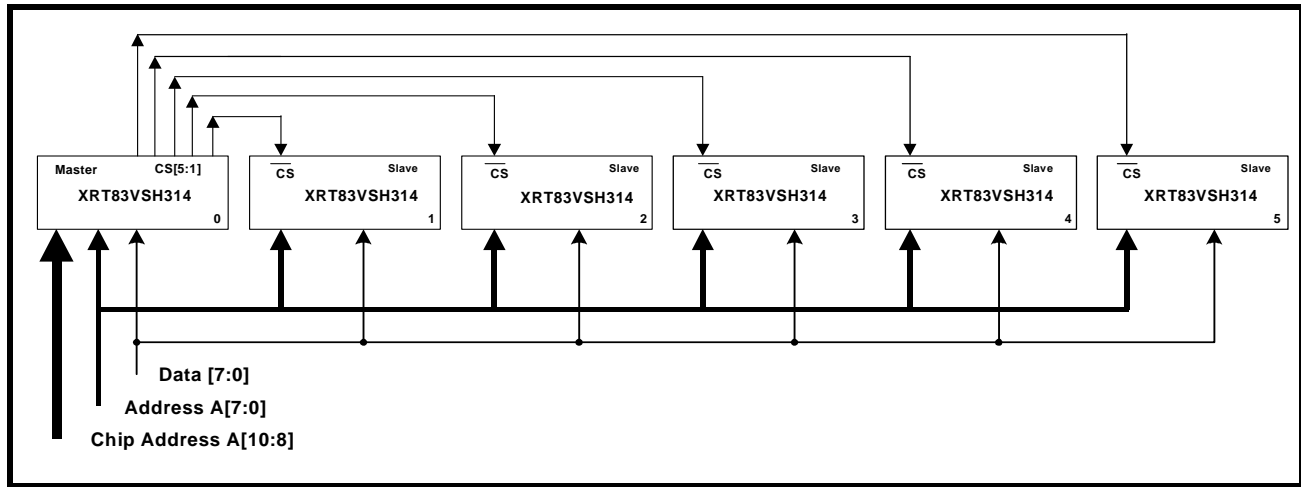
**FIGURE 23. SIMPLIFIED BLOCK DIAGRAM OF DUAL LOOPBACK**



**5.2 84-Channel T1/E1 Multiplexer/Mapper Applications**

The XRT83VSH314 has the capability of providing the necessary chip selects for multiple 14-channel LIU devices. The LIU is responsible for selecting itself, up to 5 additional LIU devices, or all 6 devices simultaneously for permitting access to internal registers. The state of the chip select output pins is determined by a chip select decoder controlled by the 3 MSBs of the address bus ADDR[10:8]. Only one LIU (Master) requires the ADDR[10:8]. The other 5 LIU devices use the 8 LSBs for the direct address bus ADDR[7:0]. Figure 24 is a simplified block diagram of connecting six 14-channel LIU devices for 84-channel applications. Selection of the chip select outputs using ADDR[10:8] is shown in Table 12.

**FIGURE 24. SIMPLIFIED BLOCK DIAGRAM OF AN 84-CHANNEL APPLICATION**



**TABLE 12: CHIP SELECT ASSIGNMENTS**

| ADDR[10:8] | ACTIVE CHIP SELECT      |
|------------|-------------------------|
| 0h (000)   | Current Device (Master) |
| 1h (001)   | Chip 1                  |
| 2h (010)   | Chip 2                  |
| 3h (011)   | Chip 3                  |
| 4h (100)   | Chip 4                  |
| 5h (101)   | Chip 5                  |
| 6h (110)   | Reserved                |
| 7h (111)   | All Devices Active      |

### 5.3 Line Card Redundancy

Telecommunication system design requires signal integrity and reliability. When a T1/E1 primary line card has a failure, it must be swapped with a backup line card while maintaining connectivity to a backplane without losing data. System designers can achieve this by implementing common redundancy schemes with the XRT83VSH314 LIU. EXAR offers features that are tailored to redundancy applications while reducing the number of components and providing system designers with solid reference designs.

#### RLOS and DMO

If an RLOS or DMO condition occurs, the XRT83VSH314 reports the alarm to the individual status registers on a per channel basis. However, for redundancy applications, an RLOS or DMO alarm can be used to initiate an automatic switch to the back up card. For this application, two global pins RLOS and DMO are used to indicate that one of the 14-channels has an RLOS or DMO condition.

#### Typical Redundancy Schemes

- 1:1 One backup card for every primary card (Facility Protection)
- 1+1 One backup card for every primary card (Line Protection)
- -N+1 One backup card for N primary cards

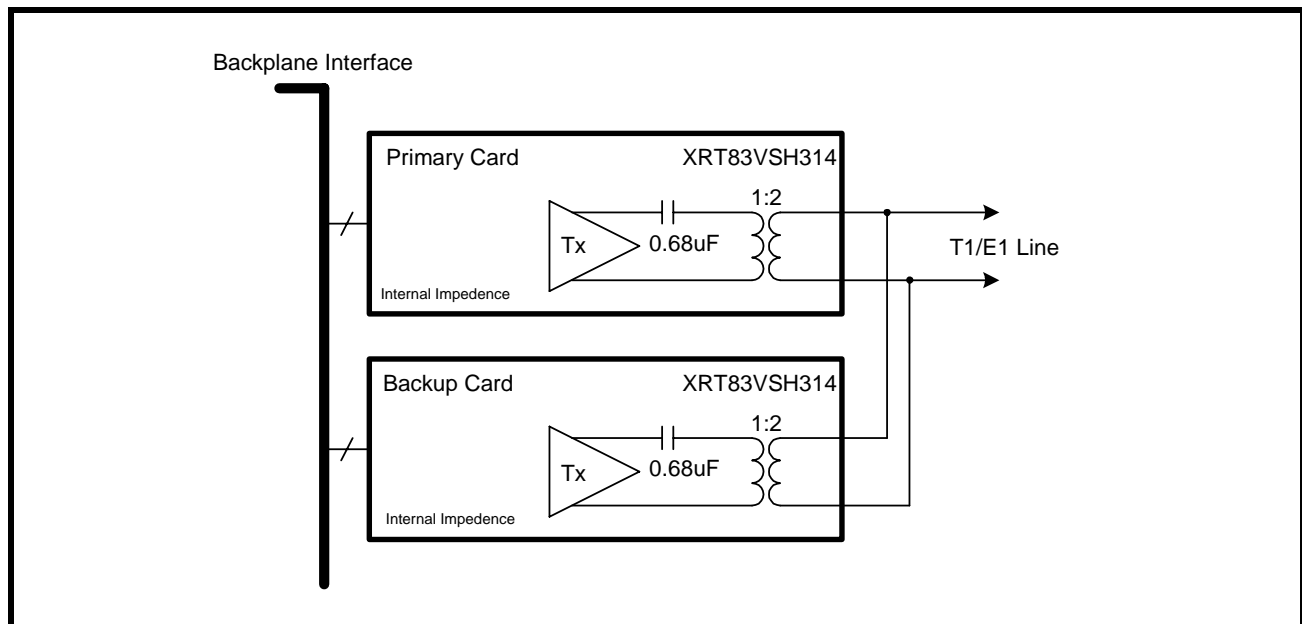
##### 5.3.1 1:1 and 1+1 Redundancy Without Relays

The 1:1 facility protection and 1+1 line protection have one backup card for every primary card. When using 1:1 or 1+1 redundancy, the backup card has its transmitters tri-stated and its receivers in high impedance. This eliminates the need for external relays and provides one bill of materials for all interface modes of operation. For 1+1 line protection, the receiver inputs on the backup card have the ability to monitor the line for bit errors while in high impedance. The transmit and receive sections of the LIU device are described separately.

##### 5.3.2 Transmit Interface with 1:1 and 1+1 Redundancy

The transmitters on the backup card should be tri-stated. Select the appropriate impedance for the desired mode of operation, T1/E1/J1. A 0.68uF capacitor is used in series with TTIP for blocking DC bias. See Figure 25. for a simplified block diagram of the transmit section for a 1:1 and 1+1 redundancy.

**FIGURE 25. SIMPLIFIED BLOCK DIAGRAM OF THE TRANSMIT INTERFACE FOR 1:1 AND 1+1 REDUNDANCY**



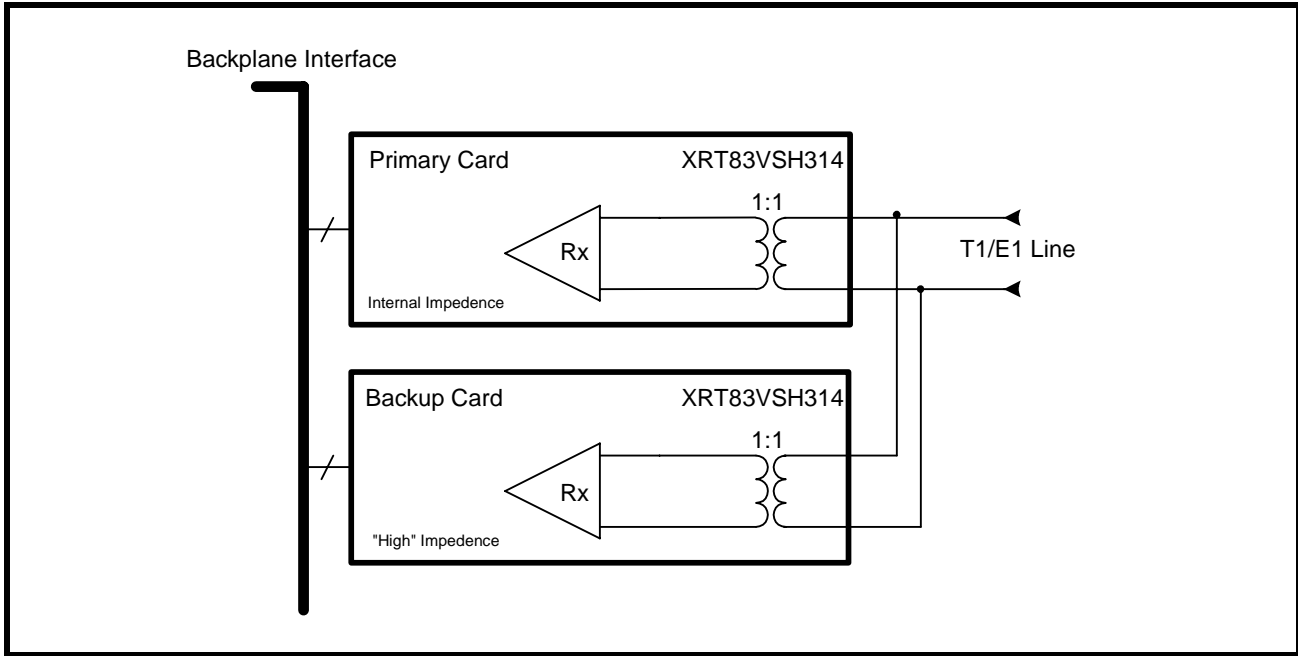
##### 5.3.3 Receive Interface with 1:1 and 1+1 Redundancy

The receivers on the backup card should be programmed for "High" impedance. Since there is no external resistor in the circuit, the receivers on the backup card will not load down the line interface. This key design feature eliminates the need for relays and provides one bill of materials for all interface modes of operation.

**14-CHANNEL T1/E1/J1 SHORT-HAUL LINE INTERFACE UNIT**

Select the impedance for the desired mode of operation, T1/E1/J1. To swap the primary card, set the backup card to internal impedance, then the primary card to "High" impedance. See Figure 26. for a simplified block diagram of the receive section for a 1:1 redundancy scheme.

**FIGURE 26. SIMPLIFIED BLOCK DIAGRAM OF THE RECEIVE INTERFACE FOR 1:1 AND 1+1 REDUNDANCY**



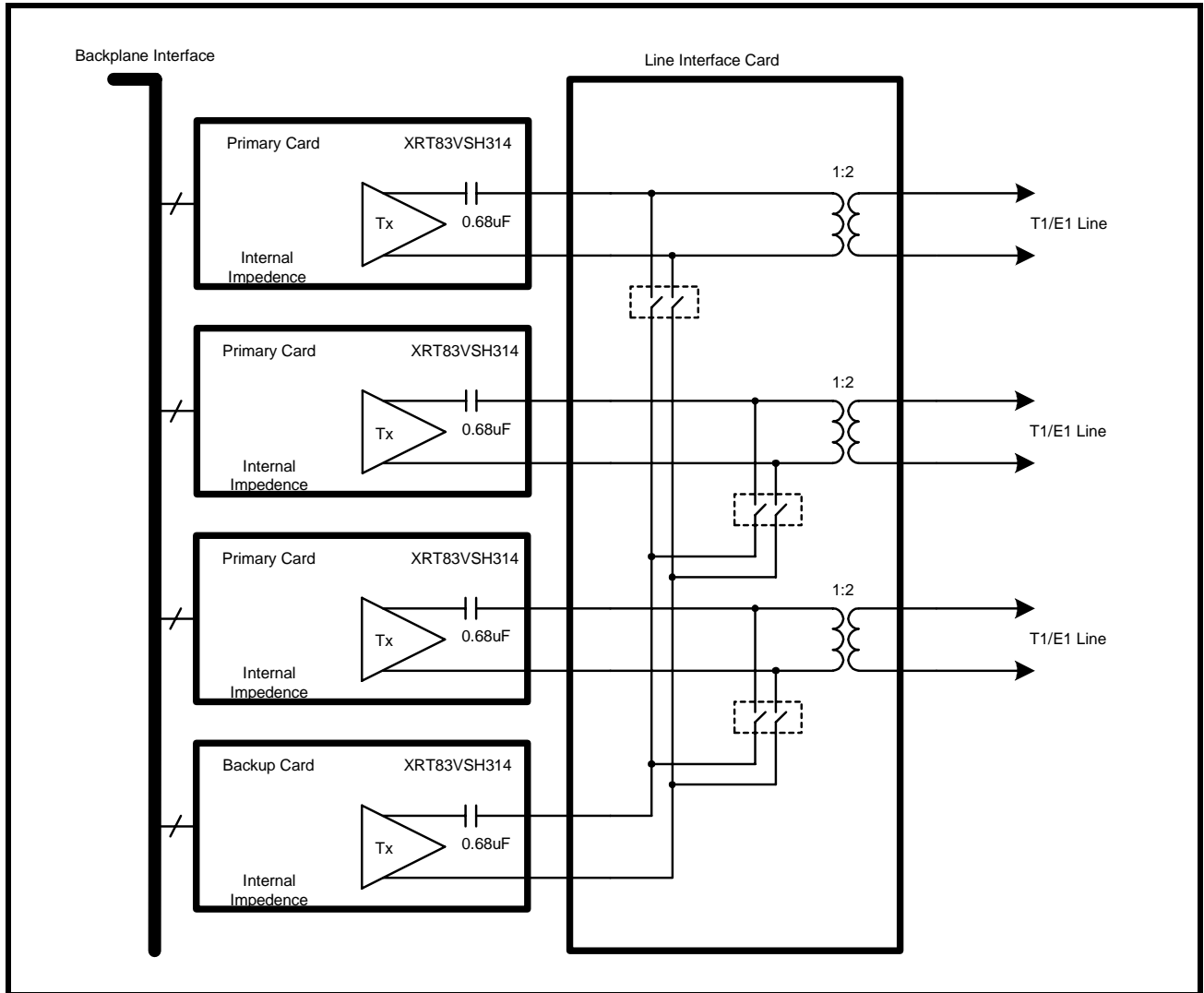
**5.3.4 N+1 Redundancy Using External Relays**

N+1 redundancy has one backup card for N primary cards. Due to impedance mismatch and signal contention, external relays are necessary when using this redundancy scheme. The relays create complete isolation between the primary cards and the backup card. This allows all transmitters and receivers on the primary cards to be configured in internal impedance, providing one bill of materials for all interface modes of operation. The transmit and receive sections of the LIU device are described separately.

**5.3.5 Transmit Interface with N+1 Redundancy**

For N+1 redundancy, the transmitters on all cards should be programmed for internal impedance. The transmitters on the backup card do not have to be tri-stated. To swap the primary card, close the desired relays, and tri-state the transmitters on the failed primary card. A 0.68uF capacitor is used in series with TTIP for blocking DC bias. See Figure 27 for a simplified block diagram of the transmit section for an N+1 redundancy scheme.

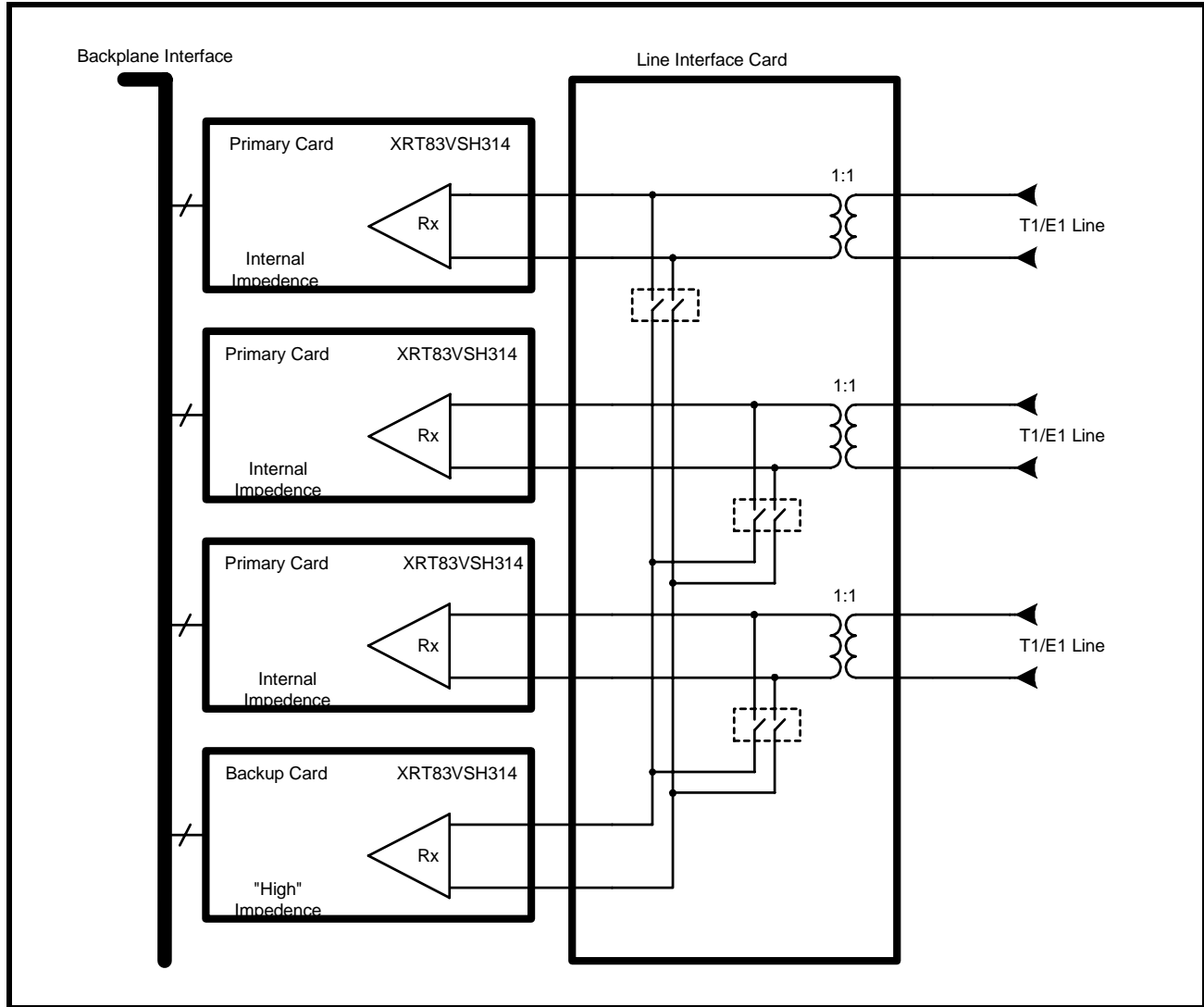
**FIGURE 27. SIMPLIFIED BLOCK DIAGRAM OF THE TRANSMIT INTERFACE FOR N+1 REDUNDANCY**



**5.3.6 Receive Interface with N+1 Redundancy**

For N+1 redundancy, the receivers on the primary cards should be programmed for internal impedance. The receivers on the backup card should be programmed for "High" impedance mode. To swap the primary card, set the backup card to internal impedance, then the primary card to "High" impedance. See Figure 28 for a simplified block diagram of the receive section for a N+1 redundancy scheme.

**FIGURE 28. SIMPLIFIED BLOCK DIAGRAM OF THE RECEIVE INTERFACE FOR N+1 REDUNDANCY**





**5.4 Power Failure Protection**

For 1:1 or 1+1 line card redundancy in T1/E1 applications, power failure could cause a line card to change the characteristics of the line impedance, causing a degradation in system performance. The XRT83VSH314 was designed to ensure reliability during power failures. The LIU has patented high impedance circuits that allow the receiver inputs and the transmitter outputs to be in "High" impedance when the LIU experiences a power failure or when the LIU is powered off.

**NOTE:** For power failure protection, a transformer must be used to couple to the line interface. See the TAN-56 application note for more details.

**5.5 Overvoltage and Overcurrent Protection**

Physical layer devices such as LIUs that interface to telecommunications lines are exposed to overvoltage transients posed by environmental threats. An Overvoltage transient is a pulse of energy concentrated over a small period of time, usually under a few milliseconds. These pulses are random and exceed the operating conditions of CMOS transceiver ICs. Electronic equipment connecting to data lines are susceptible to many forms of overvoltage transients such as lightning, AC power faults and electrostatic discharge (ESD). There are three important standards when designing a telecommunications system to withstand overvoltage transients.

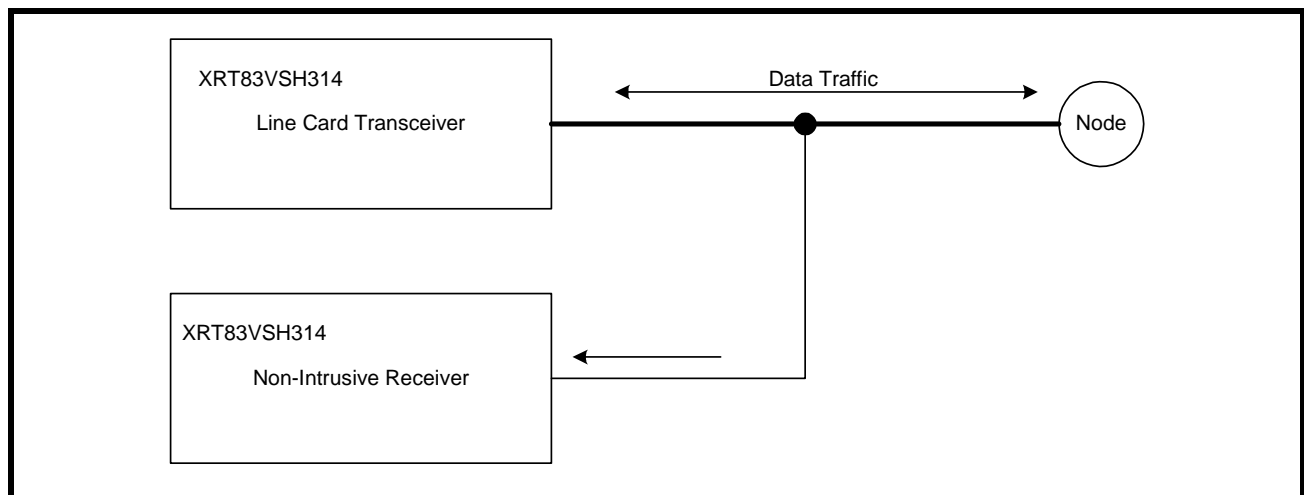
- UL1950 and FCC Part 68
- Telcordia (Bellcore) GR-1089
- ITU-T K.20, K.21 and K.41

**NOTE:** For a reference design and performance, see the TAN-54 application note for more details.

**5.6 Non-Intrusive Monitoring**

In non-intrusive monitoring applications, the transmitters are shut off by setting TxON "Low". The receivers must be actively receiving data without interfering with the line impedance. The XRT83VSH314's internal termination ensures that the line termination meets T1/E1 specifications for 75Ω, 100Ω or 120Ω while monitoring the data stream. System integrity is maintained by placing the non-intrusive receiver in "High" impedance, equivalent to that of a 1+1 redundancy application. A simplified block diagram of non-intrusive monitoring is shown in Figure 29.

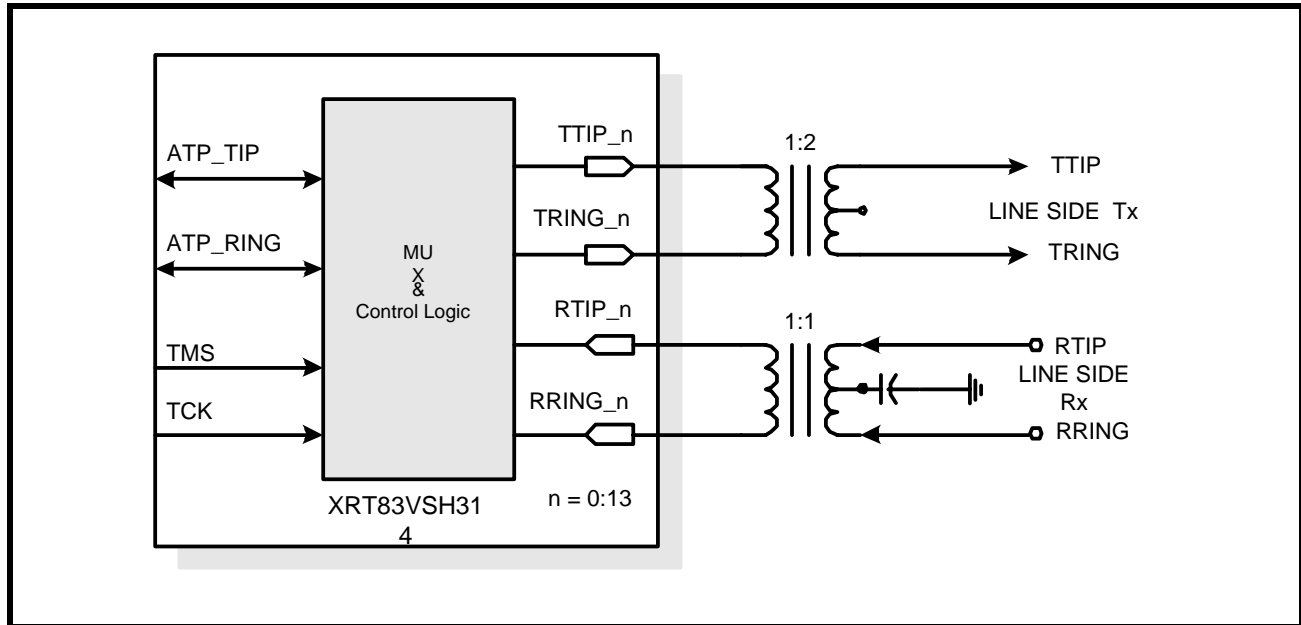
**FIGURE 29. SIMPLIFIED BLOCK DIAGRAM OF A NON-INTRUSIVE MONITORING APPLICATION**



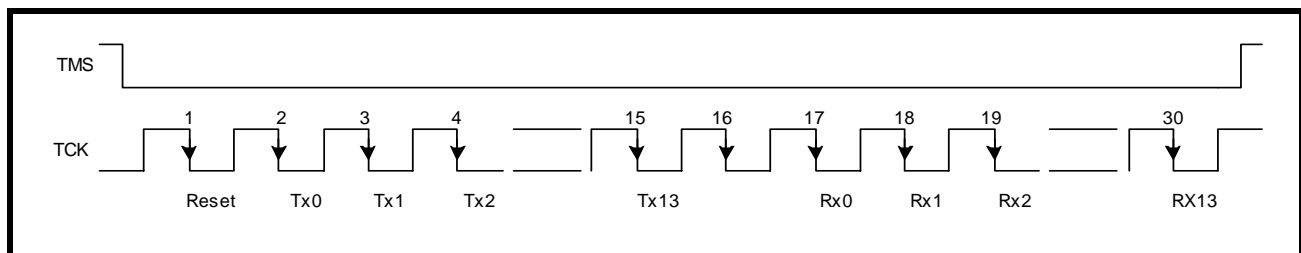
**5.7 Analog Board Continuity Check**

This test verifies the per-channel continuity from the Line Side of TIP and RING for both the transmitters and receivers, through the transformers on the assembly and LIU. Inside the LIU, a MUX and Control logic using TMS and TCK as reset and clock, successively connect each TIP and RING on the XRT83VSH314 side to two Analog Test Pins, (ATP\_TIP and ATP\_RING). Simplified block and timing diagrams are shown in Figure 30 and Figure 31.

**FIGURE 30. ATP TESTING BLOCK DIAGRAM**



**FIGURE 31. TIMING DIAGRAM FOR ATP TESTING**



**5.7.1 Transmitter TTIP and TRING Testing**

Testing of each channel must be done in sequence. With a clock signal applied to TCK, Setting TMS to “0” will begin the test sequence. On the falling edge of the 1st clock pulse after TMS is set to “0”, the sequence will reset as shown in Figure 31 above. On the 2nd falling clock edge the signal on ATP\_TIP and ATP\_RING will be TTIP\_0 and TRING\_0, respectively. On the falling edge of the 17th clock pulse the signal on ATP\_TIP and ATP\_RING will be connected to RTIP\_0 and RRING\_0, respectively. After the 30th clock pulse TMS can be returned to a “1” and all channels will return to their normal state.

Device side testing is implemented via the ATP\_TIP and ATP\_RING pins. The Line side Testing is done via the Line Side Receive and Transmit TIP and RING connections.

Each channel of the device can be tested from the line side by doing the following:

1. Apply a differential 2Vpp, 1MHz signal to the Tx Line Side channel TIP and RING pins.
2. Measure the signal at the device ATP\_TIP and ATP\_RING pins.
3. If the voltage measured ATP\_TTIP/TRING pins is 1Vpp±20%, your assembly is correct.

**NOTE:** *The Transmitter Line Side uses a 2:1 transformer.*

4. If the measured signal is absent, there is either an open or short on the board.
5. A 1MHz signal applied to the Line Side TTIP pin should appear unattenuated on the Line Side TRING pin if there is no open. This could also be indicative of a short.
6. A 1MHz signal applied to the ATP\_TIP pin should appear unattenuated on the ATP\_RING pin if the line side TTIP/TRING are appropriately terminated and there is no open. This could also be indicative of a short.

### **5.7.2 Receiver RTIP and RRING**

Each channel of the device can be tested from the line side by doing the following, using the TMS and TCK as describe above:

1. Apply a differential 2Vpp, 1MHz signal to the Rx Line Side channel TIP and RING pins.
2. Measure the signal at the device ATP\_TIP and ATP\_RING pins.
3. If the voltaged measured on the ATP\_TTIP ATP\_TRING pins is  $2V_{pp} \pm 20\%$ , your assembly is correct.

**NOTE:** *The Receiverr Line Side uses a 1:1 transformer.*

4. If the measured signal is absent, there is either an open or short on the board.
5. A 1 MHZ or 1KHZ signal applied to the Line Side RTIP pin should appear attenuated on the Line Side RRING pin if there is no open. This could also be indicative of a short.
6. A 1kHZ signal applied to the ATP\_TIP pin should appear slightly attenuated on the ATP\_RING pin if the line side RTIP/RRING are appropriately terminated and there is no open. This could also be indicative of a short.

The Receiver Device Side transformer is center tapped and capacitively connected to ground which would cause a 1MHz signal to be severely attenuated.

**6.0 MICROPROCESSOR INTERFACE BLOCK**

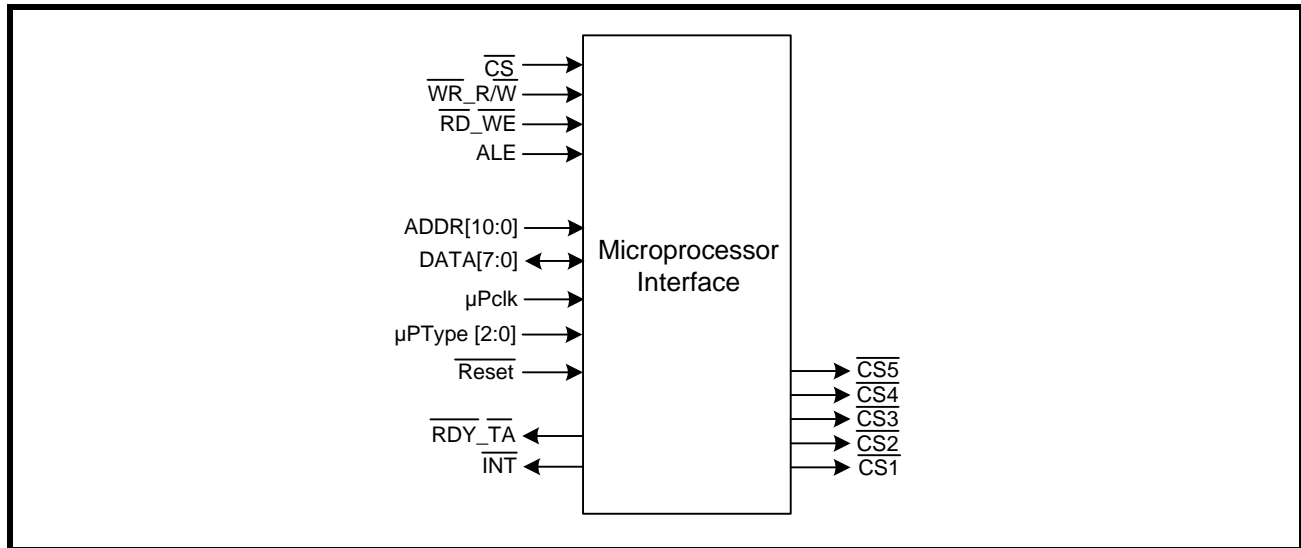
The Microprocessor Interface section supports communication between the local microprocessor ( $\mu$ P) and the LIU. The XRT83VSH314 supports an Intel asynchronous interface, Motorola 68K asynchronous, and a Motorola Power PC interface. The microprocessor interface is selected by the state of the  $\mu$ PTS[2:0] input pins. Selecting the microprocessor interface is shown in Table 13.

**TABLE 13: SELECTING THE MICROPROCESSOR INTERFACE MODE**

| $\mu$ PTS[2:0] | MICROPROCESSOR MODE                             |
|----------------|---|
| 0h (000)       | Intel 68HC11, 8051, 80C188 (Asynchronous)       |
| 1h (001)       | Motorola 68K (Asynchronous)                     |
| 7h (111)       | Motorola MPC8260, MPC860 Power PC (Synchronous) |

The XRT83VSH314 uses multipurpose pins to configure the device appropriately. The local  $\mu$ P configures the LIU by writing data into specific addressable, on-chip Read/Write registers. The microprocessor interface provides the signals which are required for a general purpose microprocessor to read or write data into these registers. The microprocessor interface also supports polled and interrupt driven environments. A simplified block diagram of the microprocessor is shown in Figure 32.

**FIGURE 32. SIMPLIFIED BLOCK DIAGRAM OF THE MICROPROCESSOR INTERFACE BLOCK**



## 6.1 The Microprocessor Interface Block Signals

The LIU may be configured into different operating modes and have its performance monitored by software through a standard microprocessor using data, address and control signals. These interface signals are described below in Table 14, Table 15, and Table 16. The microprocessor interface can be configured to operate in Intel mode or Motorola mode. When the microprocessor interface is operating in Intel mode, some of the control signals function in a manner required by the Intel 80xx family of microprocessors. Likewise, when the microprocessor interface is operating in Motorola mode, then these control signals function in a manner as required by the Motorola Power PC family of microprocessors. (For using a Motorola 68K asynchronous processor, see Figure 35 and Table 19) Table 14 lists and describes those microprocessor interface signals whose role is constant across the two modes. Table 15 describes the role of some of these signals when the microprocessor interface is operating in the Intel mode. Likewise, Table 16 describes the role of these signals when the microprocessor interface is operating in the Motorola Power PC mode.

**TABLE 14: XRT84SH314S MICROPROCESSOR INTERFACE SIGNALS COMMON TO BOTH INTEL AND MOTOROLA MODES**

| PIN NAME        | TYPE | DESCRIPTION   |
|-----------------|------|---|
| $\mu$ PTS[2:0]  | I    | <b>Microprocessor Interface Mode Select Input pins</b><br>These three pins are used to specify the microprocessor interface mode. The relationship between the state of these three input pins, and the corresponding microprocessor mode is presented in Table 13. |
| DATA[7:0]       | I/O  | <b>Bi-Directional Data Bus for register "Read" or "Write" Operations.</b>   |
| ADDR[10:8]      | I    | <b>Three-Bit Address Bus Inputs</b><br>The 3 MSBs of the address bits are used as a chip select decoder. The state of these 3 pins enable the Chip Selects for additional LIU devices.<br><i>NOTE: See the 84-Channel Application Section of this datasheet.</i>    |
| ADDR[7:0]       | I    | <b>Eight-Bit Address Bus Inputs</b><br>The XRT83VSH314 LIU microprocessor interface uses a direct address bus. This address bus is provided to permit the user to select an on-chip register for Read/Write access.   |
| $\overline{CS}$ | I    | <b>Chip Select Input</b><br>This active low signal selects the microprocessor interface of the XRT83VSH314 LIU and enables Read/Write operations with the on-chip register locations.   |

**TABLE 15: INTEL MODE: MICROPROCESSOR INTERFACE SIGNALS**

| XRT83VSH314<br>PIN NAME | INTEL<br>EQUIVALENT PIN | TYPE | DESCRIPTION   |
|-------------------------|-------------------------|------|---|
| ALE_TS                  | ALE                     | I    | <b>Address-Latch Enable:</b> This active high signal is used to latch the contents on the address bus ADDR[7:0]. The contents of the address bus are latched into the ADDR[7:0] inputs on the falling edge of ALE.  |
| $\overline{RD\_WE}$     | $\overline{RD}$         | I    | <b>Read Signal:</b> This active low input functions as the read signal from the local $\mu$ P. When this pin is pulled "Low" (if $\overline{CS}$ is "Low") the LIU is informed that a read operation has been requested and begins the process of the read cycle.     |
| $\overline{WR\_R/W}$    | $\overline{WR}$         | I    | <b>Write Signal:</b> This active low input functions as the write signal from the local $\mu$ P. When this pin is pulled "Low" (if $\overline{CS}$ is "Low") the LIU is informed that a write operation has been requested and begins the process of the write cycle. |
| $\overline{RDY\_TA}$    | $\overline{RDY}$        | O    | <b>Ready Output:</b> This active low signal is provided by the LIU device. It indicates that the current read or write cycle is complete, and the LIU is waiting for the next command.  |

TABLE 16: MOTOROLA MODE: MICROPROCESSOR INTERFACE SIGNALS

| XRT83VSH314<br>PIN NAME | MOTOROLA<br>EQUIVALENT PIN | TYPE | DESCRIPTION  |
|-------------------------|----------------------------|------|--|
| ALE_TS                  | TS                         | I    | <b>Transfer Start:</b> This active high signal is used to latch the contents on the address bus ADDR[7:0]. The contents of the address bus are latched into the ADDR[7:0] inputs on the falling edge of TS.  |
| $\overline{WR\_R/W}$    | R/W                        | I    | <b>Read/Write:</b> This input pin from the local $\mu$ P is used to inform the LIU whether a Read or Write operation has been requested. When this pin is pulled "High", $\overline{WE}$ will initiate a read operation. When this pin is pulled "Low", $\overline{WE}$ will initiate a write operation. |
| $\overline{RD\_WE}$     | $\overline{WE}$            | I    | <b>Write Enable:</b> This active low input functions as the read or write signal from the local $\mu$ P dependent on the state of R/W. When $\overline{WE}$ is pulled "Low" (If CS is "Low") the LIU begins the read or write operation.   |
| No Pin                  | $\overline{OE}$            | I    | <b>Output Enable:</b> This signal is not necessary for the XRT83VSH314 to interface to the MPC8260 or MPC860 Power PCs.  |
| $\mu$ PCLK              | CLKOUT                     | I    | <b>Synchronous Processor Clock:</b> This signal is used as the timing reference for the Power PC synchronous mode.   |
| $\overline{RDY\_TA}$    | $\overline{TA}$            | O    | <b>Transfer Acknowledge:</b> This active low signal is provided by the LIU device. It indicates that the current read or write cycle is complete, and the LIU is waiting for the next command.   |

## 6.2 Intel Mode Programmed I/O Access (Asynchronous)

If the LIU is interfaced to an Intel type  $\mu\text{P}$ , then it should be configured to operate in the Intel mode. Intel type Read and Write operations are described below.

### Intel Mode Read Cycle

Whenever an Intel-type  $\mu\text{P}$  wishes to read the contents of a register, it should do the following.

1. Place the address of the target register on the address bus input pins ADDR[10:0].
2. While the  $\mu\text{P}$  is placing this address value on the address bus, the address decoding circuitry should assert the  $\overline{\text{CS}}$  pin of the LIU, by toggling it "Low". This action enables further communication between the  $\mu\text{P}$  and the LIU microprocessor interface block.
3. Toggle the ALE input pin "High". This step enables the address bus input drivers, within the microprocessor interface block of the LIU.
4. The  $\mu\text{P}$  should then toggle the ALE pin "Low". This step causes the LIU to latch the contents of the address bus into its internal circuitry. At this point, the address of the register has now been selected.
5. Next, the  $\mu\text{P}$  should indicate that this current bus cycle is a Read operation by toggling the  $\overline{\text{RD}}$  input pin "Low". This action also enables the bi-directional data bus output drivers of the LIU.
6. After the  $\mu\text{P}$  toggles the Read signal "Low", the LIU will toggle the  $\overline{\text{RDY}}$  output pin "Low". The LIU does this in order to inform the  $\mu\text{P}$  that the data is available to be read by the  $\mu\text{P}$ , and that it is ready for the next command.
7. After the  $\mu\text{P}$  detects the  $\overline{\text{RDY}}$  signal and has read the data, it can terminate the Read Cycle by toggling the  $\overline{\text{RD}}$  input pin "High".

**NOTE:**  $\overline{\text{ALE}}$  can be tied "High" if this signal is not available.

### The Intel Mode Write Cycle

Whenever an Intel type  $\mu\text{P}$  wishes to write a byte or word of data into a register within the LIU, it should do the following.

1. Place the address of the target register on the address bus input pins ADDR[10:0].
2. While the  $\mu\text{P}$  is placing this address value on the address bus, the address decoding circuitry should assert the  $\overline{\text{CS}}$  pin of the LIU, by toggling it "Low". This action enables further communication between the  $\mu\text{P}$  and the LIU microprocessor interface block.
3. Toggle the ALE input pin "High". This step enables the address bus input drivers, within the microprocessor interface block of the LIU.
4. The  $\mu\text{P}$  should then toggle the ALE pin "Low". This step causes the LIU to latch the contents of the address bus into its internal circuitry. At this point, the address of the register has now been selected.
5. The  $\mu\text{P}$  should then place the byte or word that it intends to write into the target register, on the bi-directional data bus DATA[7:0].
6. Next, the  $\mu\text{P}$  should indicate that this current bus cycle is a Write operation by toggling the  $\overline{\text{WR}}$  input pin "Low". This action also enables the bi-directional data bus input drivers of the LIU.
7. After the  $\mu\text{P}$  toggles the Write signal "Low", the LIU will toggle the  $\overline{\text{RDY}}$  output pin "Low". The LIU does this in order to inform the  $\mu\text{P}$  that the data has been written into the internal register location, and that it is ready for the next command.

**NOTE:**  $\overline{\text{ALE}}$  can be tied "High" if this signal is not available.

The Intel Read and Write timing diagram is shown in Figure 33. The timing specifications are shown in Table 17.

FIGURE 33. INTEL  $\mu$ P INTERFACE SIGNALS DURING PROGRAMMED I/O READ AND WRITE OPERATIONS

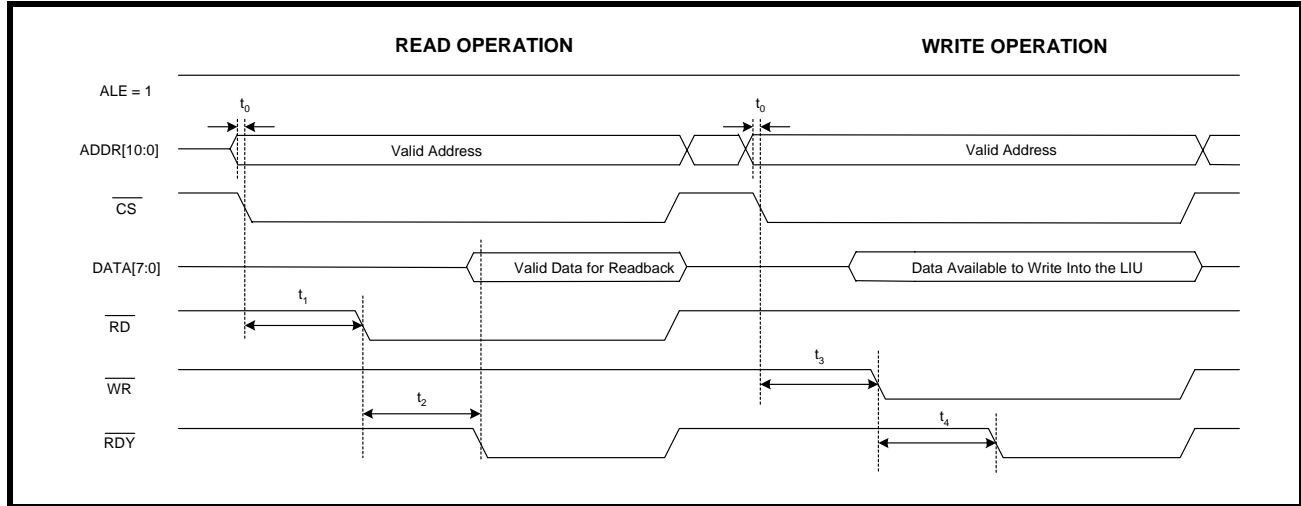


TABLE 17: INTEL MICROPROCESSOR INTERFACE TIMING SPECIFICATIONS

| SYMBOL | PARAMETER  | MIN | MAX | UNITS |
|--------|--|-----|-----|-------|
| $t_0$  | Valid Address to $\overline{CS}$ Falling Edge          | 0   | -   | ns    |
| $t_1$  | $\overline{CS}$ Falling Edge to $\overline{RD}$ Assert | 65  | -   | ns    |
| $t_2$  | $\overline{RD}$ Assert to $\overline{RDY}$ Assert      | -   | 90  | ns    |
| NA     | $\overline{RD}$ Pulse Width ( $t_2$ )                  | 90  | -   | ns    |
| $t_3$  | $\overline{CS}$ Falling Edge to $\overline{WR}$ Assert | 65  | -   | ns    |
| $t_4$  | $\overline{WR}$ Assert to $\overline{RDY}$ Assert      | -   | 90  | ns    |
| NA     | $\overline{WR}$ Pulse Width ( $t_4$ )                  | 90  | -   | ns    |



### 6.3 MPC86X Mode Programmed I/O Access (Synchronous)

If the LIU is interfaced to a MPC86X type  $\mu$ P, it should be configured to operate in the MPC86X mode. MPC86X Read and Write operations are described below.

#### MPC86X Mode Read Cycle

1. Place the address of the target register on the address bus input pins ADDR[10:0].
2. While the  $\mu$ P is placing this address value on the address bus, the address decoding circuitry should assert the  $\overline{CS}$  pin of the LIU, by toggling it "Low". This action enables further communication between the  $\mu$ P and the LIU microprocessor interface block.
3. Next, the  $\mu$ P should indicate that this current bus cycle is a Read operation by pulling the  $\overline{R/\overline{W}}$  input pin "High".
4. The LIU will toggle the  $\overline{TA}$  output pin "Low". The LIU does this in order to inform the  $\mu$ P that the data is available to be read by the  $\mu$ P.
5. After the  $\mu$ P detects the  $\overline{TA}$  signal and has read the data, it can terminate the Read Cycle by toggling the  $\overline{CS}$  input pin "High".

#### MPC86X Mode Write Cycle

1. Place the address of the target register on the address bus input pins ADDR[10:0].
2. While the  $\mu$ P is placing this address value on the address bus, the address decoding circuitry should assert the  $\overline{CS}$  pin of the LIU, by toggling it "Low". This action enables further communication between the  $\mu$ P and the LIU microprocessor interface block.
3. Next, the  $\mu$ P should indicate that this current bus cycle is a Write operation by pulling the  $\overline{R/\overline{W}}$  input pin "Low".
4. Toggle the  $\overline{WE}$  input pin "Low".
5. After the  $\mu$ P toggles the  $\overline{WE}$  signal "Low", the LIU will toggle the  $\overline{TA}$  output pin "Low". The LIU does this in order to inform the  $\mu$ P that the data has been written into the internal register location.
6. After the  $\mu$ P detects the  $\overline{TA}$  signal, the Write operation is completed by toggling both  $\overline{WE}$  and  $\overline{CS}$  pins "High".

The Motorola Read and Write timing diagram is shown in Figure 34. The timing specifications are shown in Table 18.

FIGURE 34. MOTOROLA MPC86X  $\mu$ P INTERFACE SIGNALS DURING PROGRAMMED I/O READ AND WRITE OPERATIONS

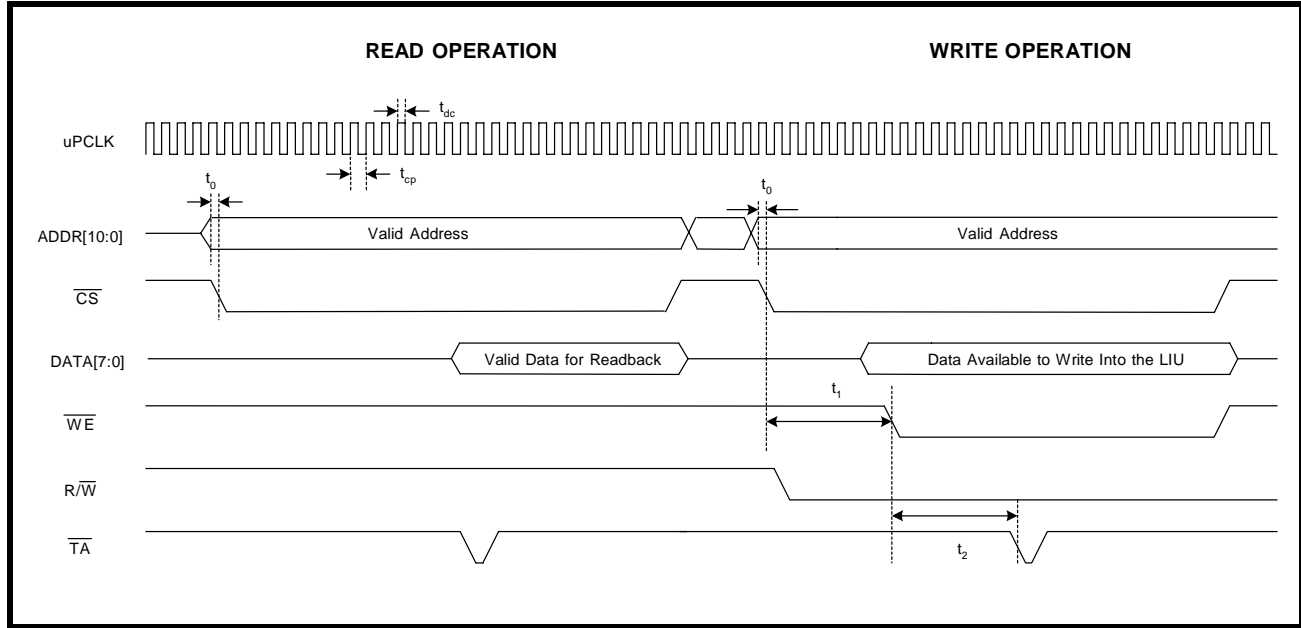


TABLE 18: MOTOROLA MPC86X MICROPROCESSOR INTERFACE TIMING SPECIFICATIONS

| SYMBOL   | PARAMETER  | MIN | MAX | UNITS |
|----------|--|-----|-----|-------|
| $t_0$    | Valid Address to $\overline{CS}$ Falling Edge          | 0   | -   | ns    |
| $t_1$    | $\overline{CS}$ Falling Edge to $\overline{WE}$ Assert | 0   | -   | ns    |
| $t_2$    | $\overline{WE}$ Assert to $\overline{TA}$ Assert       | -   | 90  | ns    |
| $t_{dc}$ | $\mu$ PCLK Duty Cycle                                  | 40  | 60  | %     |
| $t_{cp}$ | $\mu$ PCLK Clock Period                                | 20  |     | ns    |

FIGURE 35. MOTOROLA 68K  $\mu$ P INTERFACE SIGNALS DURING PROGRAMMED I/O READ AND WRITE OPERATIONS

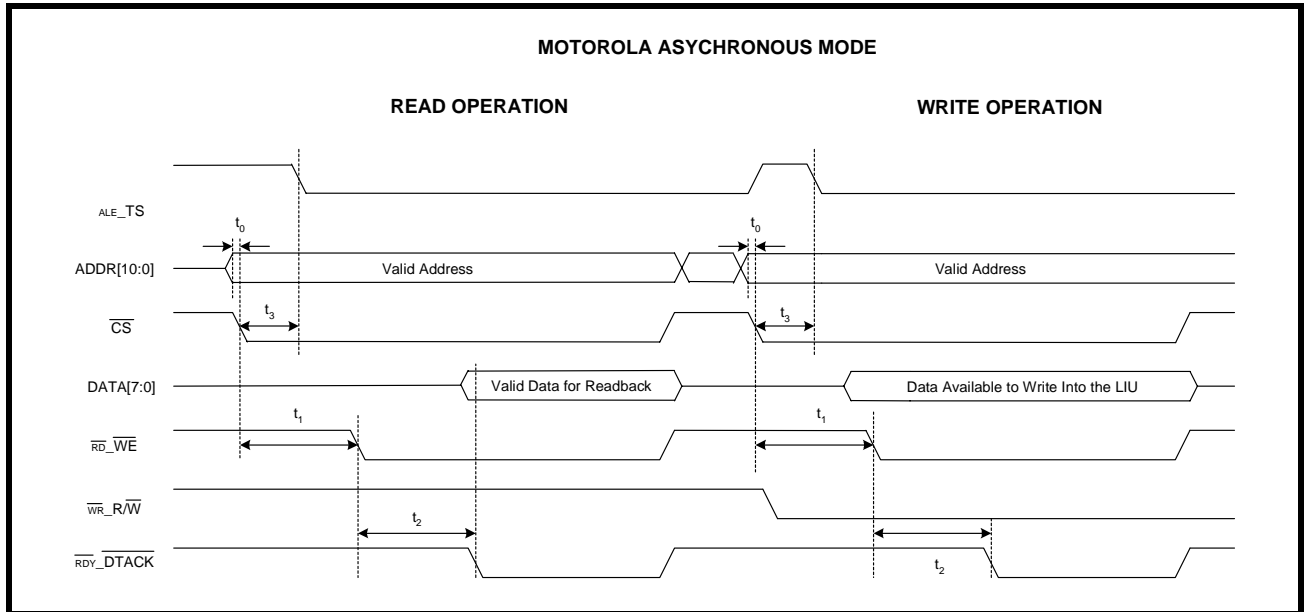


TABLE 19: MOTOROLA 68K MICROPROCESSOR INTERFACE TIMING SPECIFICATIONS

| SYMBOL | PARAMETER   | MIN | MAX | UNITS |
|--------|---|-----|-----|-------|
| $t_0$  | Valid Address to $\overline{CS}$ Falling Edge                                     | 0   | -   | ns    |
| $t_1$  | $\overline{CS}$ Falling Edge to $\overline{DS}$ (Pin $\overline{RD\_WE}$ ) Assert | 65  | -   | ns    |
| $t_2$  | $\overline{DS}$ Assert to $\overline{DTACK}$ Assert                               | -   | 90  | ns    |
| NA     | $\overline{DS}$ Pulse Width ( $t_2$ )   | 90  | -   | ns    |
| $t_3$  | $\overline{CS}$ Falling Edge to $\overline{AS}$ (Pin ALE_TS) Falling Edge         | 0   | -   | ns    |

## 7.0 REGISTER DESCRIPTIONS

TABLE 20: MICROPROCESSOR REGISTER ADDRESS (ADDR[7:0])

| REGISTER NUMBER | ADDRESS (HEX) | FUNCTION  |
|-----------------|---------------|---|
| 0 - 15          | 0x00 - 0x0F   | Channel 0 Control Registers                         |
| 16 - 31         | 0x10 - 0x1F   | Channel 1 Control Registers                         |
| 32 - 47         | 0x20 - 0x2F   | Channel 2 Control Registers                         |
| 48 - 63         | 0x30 - 0x3F   | Channel 3 Control Registers                         |
| 64 - 79         | 0x40 - 0x4F   | Channel 4 Control Registers                         |
| 80 - 95         | 0x50 - 0x5F   | Channel 5 Control Registers                         |
| 96 - 111        | 0x60 - 0x6F   | Channel 6 Control Registers                         |
| 112 - 127       | 0x70 - 0x7F   | Channel 7 Control Registers                         |
| 128 - 143       | 0x80 - 0x8F   | Channel 8 Control Registers                         |
| 144 - 159       | 0x90 - 0x9F   | Channel 9 Control Registers                         |
| 160 - 175       | 0xA0 - 0xAF   | Channel 10 Control Registers                        |
| 176 - 191       | 0xB0 - 0xBF   | Channel 11 Control Registers                        |
| 192 - 207       | 0xC0 - 0xCF   | Channel 12 Control Registers                        |
| 208 - 223       | 0xD0 - 0xDF   | Channel 13 Control Registers                        |
| 224 - 235       | 0xE0 - 0xEB   | Global Control Registers Applied to All 14 Channels |
| 236 - 237       | 0xEC - 0xED   | Registers Reserved                                  |
| 238             | 0xEE          | RCLKOUTPUT Control                                  |
| 239 - 242       | 0xEF - 0xF3   | Registers Reserved                                  |
| 244             | 0xF4          | Global Control Register                             |
| 245 - 253       | 0xF5 - 0xFD   | Registers Reserved for Testing                      |
| 254             | 0xFE          | Device "ID"   |
| 255             | 0xFF          | Device "Revision ID"                                |

TABLE 21: MICROPROCESSOR REGISTER CHANNEL DESCRIPTION

| REG  | ADDR | TYPE | D7            | D6             | D5      | D4      | D3     | D2     | D1     | D0       |
|--|------|------|---------------|----------------|---------|---------|--------|--------|--------|----------|
| <b>Channel 0 Control Registers (0x00 - 0x0F)</b> |      |      |               |                |         |         |        |        |        |          |
| 0  | 0x00 | R/W  | QRSS/<br>PRBS | PRBS_Rx/<br>Tx | RxON    | EQC4    | EQC3   | EQC2   | EQC1   | EQC0     |
| 1  | 0x01 | R/W  | RxTSEL        | TxTSEL         | TERSEL1 | TERSEL0 | JASEL1 | JASEL0 | JABW   | FIFOS    |
| 2  | 0x02 | R/W  | INVQRSS       | TxTEST2        | TxTEST1 | TxTEST0 | TxON   | LOOP2  | LOOP1  | LOOP0    |
| 3  | 0x03 | R/W  | Reserved      | Reserved       | CODES   | RxRES1  | RxRES0 | INSBPV | INSBER | Reserved |

**TABLE 21: MICROPROCESSOR REGISTER CHANNEL DESCRIPTION**

| REG   | ADDR | TYPE | D7       | D6       | D5       | D4       | D3       | D2       | D1       | D0       |
|---|------|------|----------|----------|----------|----------|----------|----------|----------|----------|
| 4   | 0x04 | R/W  | Reserved | DMOIE    | FLSIE    | LCV_OFIE | Reserved | AISDIE   | RLOSIE   | QRPDIE   |
| 5   | 0x05 | RO   | Reserved | DMO      | FLS      | LCV_OF   | Reserved | AISD     | RLOS     | QRPD     |
| 6   | 0x06 | RUR  | Reserved | DMOIS    | FLSIS    | LCV_OFIS | Reserved | AISDIS   | RLOIS    | QRPDIS   |
| 7   | 0x07 | RO   | Reserved | Reserved | Reserved | Reserved | Reserved | Reserved | Reserved | Reserved |
| 8   | 0x08 | R/W  | Reserved | 1SEG6    | 1SEG5    | 1SEG4    | 1SEG3    | 1SEG2    | 1SEG1    | 1SEG0    |
| 9   | 0x09 | R/W  | Reserved | 2SEG6    | 2SEG5    | 2SEG4    | 2SEG3    | 2SEG2    | 2SEG1    | 2SEG0    |
| 10  | 0x0A | R/W  | Reserved | 3SEG6    | 3SEG5    | 3SEG4    | 3SEG3    | 3SEG2    | 3SEG1    | 3SEG0    |
| 11  | 0x0B | R/W  | Reserved | 4SEG6    | 4SEG5    | 4SEG4    | 4SEG3    | 4SEG2    | 4SEG1    | 4SEG0    |
| 12  | 0x0C | R/W  | Reserved | 5SEG6    | 5SEG5    | 5SEG4    | 5SEG3    | 5SEG2    | 5SEG1    | 5SEG0    |
| 13  | 0x0D | R/W  | Reserved | 6SEG6    | 6SEG5    | 6SEG4    | 6SEG3    | 6SEG2    | 6SEG1    | 6SEG0    |
| 14  | 0x0E | R/W  | Reserved | 7SEG6    | 7SEG5    | 7SEG4    | 7SEG3    | 7SEG2    | 7SEG1    | 7SEG0    |
| 15  | 0x0F | R/W  | Reserved | 8SEG6    | 8SEG5    | 8SEG4    | 8SEG3    | 8SEG2    | 8SEG1    | 8SEG0    |
| <b>Channel (1 - 13) Control Registers (0xN0 - 0xNF) See Channel 0</b> |      |      |          |          |          |          |          |          |          |          |

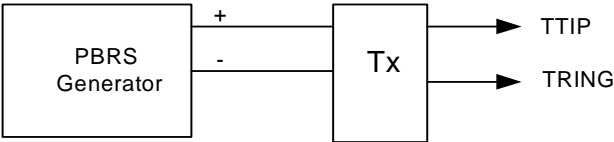
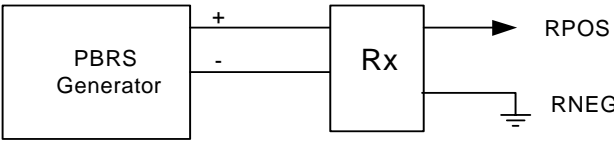
**TABLE 22: MICROPROCESSOR REGISTER GLOBAL DESCRIPTION**

| REG   | ADDR      | TYPE | D7         | D6         | D5         | D4         | D3                            | D2       | D1       | D0       |
|---|-----------|------|------------|------------|------------|------------|-------------------------------|----------|----------|----------|
| <b>Global Control Registers for All 14 Channels</b> |           |      |            |            |            |            |                               |          |          |          |
| 224   | 0xE0      | R/W  | SR/DR      | ATAOS      | RCLKE      | TCLKE      | DATAP                         | Reserved | GIE      | SRESET   |
| 225   | 0xE1      | R/W  | Reserved   | Reserved   | Reserved   | Reserved   | Reserved                      | RxMUTE   | EXLOS    | ICT      |
| 226   | 0xE2      | R/W  | Reserved   | RxTCNTL    | Reserved   | Reserved   | Reserved                      | Reserved | Reserved | Reserved |
| 227   | 0xE3      | R/W  | Reserved   | Reserved   | Reserved   | Reserved   | SL<1>                         | SL<0>    | Reserved | Reserved |
| 228   | 0xE4      | R/W  | MCLKT1out1 | MCLKT1out0 | MCLKE1out1 | MCLKE1out0 | Reserved                      | Reserved | Reserved | Reserved |
| 229   | 0xE5      | R/W  | LCV_OFLW   | CNTRDEN    | Reserved   | Reserved   | LCVCH3                        | LCVCH2   | LCVCH1   | LCVCH0   |
| 230   | 0xE6      | R/W  | Reserved   | Reserved   | Reserved   | allRST     | allUPDATE                     | BYTEsel  | chUPDATE | chRST    |
| 231   | 0xE7      | R/W  | Reserved   | Reserved   | Reserved   | Reserved   | Reserved                      | Reserved | Reserved | Reserved |
| 232   | 0xE8      | RO   | LCVCNT7    | LCVCNT6    | LCVCNT5    | LCVCNT4    | LCVCNT3                       | LCVCNT2  | LCVCNT1  | LCVCNT0  |
| 233   | 0xE9      | R/W  | Reserved   | Reserved   | Reserved   | TCLKCNL    | CLKSEL3                       | CLKSEL2  | CLKSEL1  | CLKSEL0  |
| 234   | 0xEA      | RUR  | GCHIS7     | GCHIS6     | GCHIS5     | GCHIS4     | GCHIS3                        | GCHIS2   | GCHIS1   | GCHIS0   |
| 235   | 0xEB      | RUR  | Reserved   | Reserved   | GCHIS13    | GCHIS12    | GCHIS11                       | GCHIS10  | GCHIS9   | GCHIS8   |
| 236-237   | 0xEC-0xED | RO   | Reserved   | Reserved   | Reserved   | Reserved   | Reserved                      | Reserved | Reserved | Reserved |
| 238   | 0xEE      | R/W  | Reserved   | Reserved   | Reserved   | Reserved   | Recovered Clock Selects [3:0] |          |          |          |

**TABLE 22: MICROPROCESSOR REGISTER GLOBAL DESCRIPTION**

| REG  | ADDR         | TYPE | D7                   | D6                   | D5                   | D4                   | D3                   | D2                   | D1                   | D0                   |
|--|--------------|------|----------------------|----------------------|----------------------|----------------------|----------------------|----------------------|----------------------|----------------------|
| 239-242  | 0xEF<br>0xF2 | R/W  | Reserved             | Reserved             | Reserved             | Reserved             | Reserved             | Reserved             | Reserved             | Reserved             |
| 244-245  | 0xF4<br>0xF5 | R/W  | Reserved             | Reserved             | Reserved             | Reserved             | Reserved             | Reserved             | Reserved             | E1Arben              |
| 246-253  | 0xF6<br>0xFD | R/W  | Reserved for Testing | Reserved for Testing | Reserved for Testing | Reserved for Testing | Reserved for Testing | Reserved for Testing | Reserved for Testing | Reserved for Testing |
| <b>R/W Registers Reserved for Testing (0xEC - 0xFD), Excluding 0xF4h</b> |              |      |                      |                      |                      |                      |                      |                      |                      |                      |
| 254  | 0xFE         | RO   | Device "ID"          |                      |                      |                      |                      |                      |                      |                      |
| 255  | 0xFF         | RO   | Device "Revision ID" |                      |                      |                      |                      |                      |                      |                      |

**TABLE 23: MICROPROCESSOR REGISTER 0X00H BIT DESCRIPTION**

| CHANNEL 0-13 (0X00H-0XD0H) |            |  |               |                          |
|----------------------------|------------|--|---------------|--------------------------|
| BIT                        | NAME       | FUNCTION   | Register Type | Default Value (HW reset) |
| D7                         | QRSS/PRBS  | <p><b>QRSS/PRBS Select Bits</b></p> <p>These bits are used to select between QRSS and PRBS.</p> <p>0 = PRBS</p> <p>1 = QRSS</p>  | R/W           | 0                        |
| D6                         | PRBS_Rx/Tx | <p><b>PRBS Receive/Transmit Select:</b></p> <p>This bit is used to select where the output of the PRBS Generator is directed if PRBS generation is enabled.</p> <p>0 = Normal Operation - PRBS generator is output on TTIP and TRING if PRBS generation is enabled.</p> <p>1 = PRBS Generator is output on RPOS; RNEG is internally grounded, if PRBS generation is enabled.</p> <p>Bit 6 = "0"</p>  <p>Bit 6 = "1"</p>  <p><b>NOTE:</b> If PRBS generation is disabled, user should set this bit to '0' for normal operation.</p> | R/W           | 0                        |

**TABLE 23: MICROPROCESSOR REGISTER 0x00H BIT DESCRIPTION**

| CHANNEL 0-13 (0x00H-0xD0H) |      |  |               |                          |
|----------------------------|------|--|---------------|--------------------------|
| BIT                        | NAME | FUNCTION   | Register Type | Default Value (HW reset) |
| D5                         | RxON | <b>Receiver ON/OFF</b><br>Upon power up, the receiver is powered OFF. RxON is used to turn the receiver ON or OFF if the hardware pin RxON is pulled "High". If the hardware pin is pulled "Low", all receivers are turned off.<br>0 = Receiver is Powered Off<br>1 = Receiver is Powered On | R/W           | 0                        |
| D4                         | EQC4 | <b>Cable Length Settings</b><br>The Cable Length Settting bits are shown in Table 24 below.  | R/W           | 0                        |
| D3                         | EQC3 |  |               | 0                        |
| D2                         | EQC2 |  |               | 0                        |
| D1                         | EQC1 |  |               | 0                        |
| D0                         | EQC0 |  |               | 0                        |

**TABLE 24: CABLE LENGTH SETTINGS**

| EQC[4:0] | T1/E1 MODE/RECEIVE SENSITIVITY | TRANSMIT LBO            | CABLE    | CODING |
|----------|--------------------------------|-------------------------|----------|--------|
| 0x08h    | T1 Short Haul                  | 0 to 133 feet (0.6dB)   | 100Ω TP  | B8ZS   |
| 0x09h    | T1 Short Haul                  | 133 to 266 feet (1.2dB) | 100Ω TP  | B8ZS   |
| 0x0Ah    | T1 Short Haul                  | 266 to 399 feet (1.8dB) | 100Ω TP  | B8ZS   |
| 0x0Bh    | T1 Short Haul                  | 399 to 533 feet (2.4dB) | 100Ω TP  | B8ZS   |
| 0x0Ch    | T1 Short Haul                  | 533 to 655 feet (3.0dB) | 100Ω TP  | B8ZS   |
| 0x0Dh    | T1 Short Haul                  | Arbitrary Pulse         | 100Ω TP  | B8ZS   |
| 0x1Ch    | E1 Short Haul                  | ITU G.703               | 75Ω Coax | HDB3   |
| 0x1Dh    | E1 Short Haul                  | ITU G.703               | 120Ω TP  | HDB3   |

**TABLE 25: MICROPROCESSOR REGISTER 0x01H BIT DESCRIPTION**

| CHANNEL 0-13 (0x01H-0xD1H) |                    |   |               |                          |                |   |   |          |   |   |               |   |   |              |   |   |              |     |        |
|----------------------------|--------------------|---|---------------|--------------------------|----------------|---|---|----------|---|---|---------------|---|---|--------------|---|---|--------------|-----|--------|
| BIT                        | NAME               | FUNCTION  | Register Type | Default Value (HW reset) |                |   |   |          |   |   |               |   |   |              |   |   |              |     |        |
| D7                         | RxTSEL             | <p><b>Receive Termination Select</b></p> <p>Upon power up, the receiver is in "High" impedance. RxTSEL is used to switch between the internal termination and "High" impedance.</p> <p>0 = External Termination<br/>1 = Internal Termination</p>  | R/W           | 0                        |                |   |   |          |   |   |               |   |   |              |   |   |              |     |        |
| D6                         | TxTSEL             | <p><b>Transmit Termination Select</b></p> <p>Upon power up, the transmitter is in "High" impedance. TxTSEL is used to switch between the internal termination and "High" impedance.</p> <p>0 = "High" Impedance<br/>1 = Internal Termination</p>  | R/W           | 0                        |                |   |   |          |   |   |               |   |   |              |   |   |              |     |        |
| D5<br>D4                   | TERSEL1<br>TERSEL0 | <p><b>Receive Line Impedance Select</b></p> <p>TERSEL[1:0] are used to select the line impedance for T1/J1/E1.</p> <table border="1" style="margin-left: auto; margin-right: auto;"> <thead> <tr> <th>TERSEL1</th> <th>TERSEL0</th> <th>LINE IMPEDANCE</th> </tr> </thead> <tbody> <tr> <td>0</td> <td>0</td> <td>100Ω</td> </tr> <tr> <td>0</td> <td>1</td> <td>110Ω</td> </tr> <tr> <td>1</td> <td>0</td> <td>75Ω</td> </tr> <tr> <td>1</td> <td>1</td> <td>120Ω</td> </tr> </tbody> </table>   | TERSEL1       | TERSEL0                  | LINE IMPEDANCE | 0 | 0 | 100Ω     | 0 | 1 | 110Ω          | 1 | 0 | 75Ω          | 1 | 1 | 120Ω         | R/W | 0<br>0 |
| TERSEL1                    | TERSEL0            | LINE IMPEDANCE  |               |                          |                |   |   |          |   |   |               |   |   |              |   |   |              |     |        |
| 0                          | 0                  | 100Ω  |               |                          |                |   |   |          |   |   |               |   |   |              |   |   |              |     |        |
| 0                          | 1                  | 110Ω  |               |                          |                |   |   |          |   |   |               |   |   |              |   |   |              |     |        |
| 1                          | 0                  | 75Ω   |               |                          |                |   |   |          |   |   |               |   |   |              |   |   |              |     |        |
| 1                          | 1                  | 120Ω  |               |                          |                |   |   |          |   |   |               |   |   |              |   |   |              |     |        |
| D3<br>D2                   | JASEL1<br>JASEL0   | <p><b>Jitter Attenuator Select</b></p> <p>JASEL[1:0] are used to enable the jitter attenuator in the receive or transmit path. By default, the jitter attenuator is disabled.</p> <table border="1" style="margin-left: auto; margin-right: auto;"> <thead> <tr> <th>JASEL1</th> <th>JASEL0</th> <th>JA PATH</th> </tr> </thead> <tbody> <tr> <td>0</td> <td>0</td> <td>Disabled</td> </tr> <tr> <td>0</td> <td>1</td> <td>Transmit Path</td> </tr> <tr> <td>1</td> <td>0</td> <td>Receive Path</td> </tr> <tr> <td>1</td> <td>1</td> <td>Receive Path</td> </tr> </tbody> </table> | JASEL1        | JASEL0                   | JA PATH        | 0 | 0 | Disabled | 0 | 1 | Transmit Path | 1 | 0 | Receive Path | 1 | 1 | Receive Path | R/W | 0      |
| JASEL1                     | JASEL0             | JA PATH   |               |                          |                |   |   |          |   |   |               |   |   |              |   |   |              |     |        |
| 0                          | 0                  | Disabled  |               |                          |                |   |   |          |   |   |               |   |   |              |   |   |              |     |        |
| 0                          | 1                  | Transmit Path   |               |                          |                |   |   |          |   |   |               |   |   |              |   |   |              |     |        |
| 1                          | 0                  | Receive Path  |               |                          |                |   |   |          |   |   |               |   |   |              |   |   |              |     |        |
| 1                          | 1                  | Receive Path  |               |                          |                |   |   |          |   |   |               |   |   |              |   |   |              |     |        |



**TABLE 25: MICROPROCESSOR REGISTER 0x01H BIT DESCRIPTION**

| CHANNEL 0-13 (0x01H-0xD1H) |       |  |               |                          |
|----------------------------|-------|--|---------------|--------------------------|
| BIT                        | NAME  | FUNCTION   | Register Type | Default Value (HW reset) |
| D1                         | JABW  | <p><b>Jitter Bandwidth (E1 Mode Only, T1 is permanently set to 3Hz)</b></p> <p>The jitter bandwidth is a global setting that is applied to both the receiver and transmitter jitter attenuator.</p> <p>0 = 10Hz<br/>1 = 1.5Hz</p>  | R/W           | 0                        |
| D0                         | FIFOS | <p><b>FIFO Depth Select</b></p> <p>The FIFO depth select is used to configure the part for a 32-bit or 64-bit FIFO (within the jitter attenuator blocks). The delay of the FIFO is equal to ½ the FIFO depth. This is a global setting that is applied to both the receiver and transmitter FIFO.</p> <p>0 = 32-Bit<br/>1 = 64-Bit</p> | R/W           | 0                        |

**TABLE 26: MICROPROCESSOR REGISTER 0x02H BIT DESCRIPTION**

| CHANNEL 0-13 (0x02H-0xD2H) |                               |   |               |                          |
|----------------------------|-------------------------------|---|---------------|--------------------------|
| BIT                        | NAME                          | FUNCTION  | Register Type | Default Value (HW reset) |
| D7                         | INVQRSS                       | <p><b>QRSS inversion</b></p> <p>INVQRSS is used to invert the transmit QRSS or PRBS pattern set by the TxTEST[2:0] bits. By default (bit D7=0), INVQRSS is disabled for PRBS and enabled for QRSS.</p> <p>0 = Disabled for PRBS<br/>0 = Enabled for QRSS<br/>1 = Disabled for QRSS<br/>1 = Enabled for PRBS</p> | R/W           | 0                        |
| D6<br>D5<br>D4             | TxTEST2<br>TxTEST1<br>TxTEST0 | <p><b>Test Code Pattern</b></p> <p>TxTEST[2:0] are used to select a diagnostic test pattern to the line (transmit outputs).</p> <p>0XX = No Pattern<br/>100 = Tx QRSS<br/>101 = Tx TAOS<br/>110 = Reserved<br/>111 = Reserved</p>   | R/W           | 0<br>0<br>0              |

TABLE 26: MICROPROCESSOR REGISTER 0x02H BIT DESCRIPTION

| CHANNEL 0-13 (0x02H-0xD2H) |                         |   |               |                          |
|----------------------------|-------------------------|---|---------------|--------------------------|
| BIT                        | NAME                    | FUNCTION  | Register Type | Default Value (HW reset) |
| D3                         | TxOn                    | <b>Transmit ON/OFF</b><br>Upon power up, the transmitters are powered off. This bit is used to turn the transmitter for this channel On or Off if the TxON pin is pulled "High". If the TxON pin is pulled "Low", all 14 transmitters are powered off.<br>0 = Transmitter is Powered OFF<br>1 = Transmitter is Powered ON | R/W           | 0                        |
| D2<br>D1<br>D0             | LOOP2<br>LOOP1<br>LOOP0 | <b>Loopback Diagnostic Select</b><br>LOOP[2:0] are used to select the loopback mode.<br>0XX = No Loopback<br>100 = Dual Loopback<br>101 = Analog Loopback<br>110 = Remote Loopback<br>111 = Digital Loopback  | R/W           | 0<br>0<br>0              |

TABLE 27: MICROPROCESSOR REGISTER 0x03H BIT DESCRIPTION

| CHANNEL 0-13 (0x03H-0xD3H) |                  |   |               |                          |
|----------------------------|------------------|---|---------------|--------------------------|
| BIT                        | NAME             | FUNCTION  | Register Type | Default Value (HW reset) |
| D7<br>D6                   | Reserved         | <b>These Bits are Reserved.</b>   | R/W           | 0<br>0                   |
| D5                         | CODES            | <b>Encoding/Decoding Select (Single Rail Mode Only)</b><br>0 = HDB3 (E1), B8ZS (T1)<br>1 = AMI Coding   | R/W           | 0                        |
| D4<br>D3                   | RxRES1<br>RxRES0 | <b>Receive External Fixed Resistor</b><br>RxRES[1:0] are used to select the value for a high precision external resistor to improve return loss.<br>00 = None<br>01 = 240Ω<br>10 = 210Ω<br>11 = 150Ω  | R/W           | 0<br>0                   |
| D2                         | INSBPV           | <b>Insert Bipolar Violation</b><br>When this bit transitions from a "0" to a "1", a bipolar violation will be inserted in the transmitted data from TPOS, QRSS/PRBS pattern. The state of this bit will be sampled on the rising edge of TCLK. To ensure proper operation, it is recommended to write a "0" to this bit before writing a "1". | R/W           | 0                        |

**TABLE 27: MICROPROCESSOR REGISTER 0x03H BIT DESCRIPTION**

| CHANNEL 0-13 (0x03H-0xD3H) |          |   |               |                          |
|----------------------------|----------|---|---------------|--------------------------|
| BIT                        | NAME     | FUNCTION  | Register Type | Default Value (HW reset) |
| D1                         | INSBER   | <b>Insert Bit Error</b><br>When this bit transitions from a "0" to a "1", a bit error will be inserted in the transmitted QRSS/PRBS pattern. The state of this bit will be sampled on the rising edge of TCLK. To ensure proper operation, it is recommended to write a "0" to this bit before writing a "1". | R/W           | 0                        |
| D0                         | Reserved | <b>This Bit is Reserved</b>   | R/W           | 0                        |

**TABLE 28: MICROPROCESSOR REGISTER 0x04H BIT DESCRIPTION**

| CHANNEL 0-13 (0x04H-0xD4H) |          |   |               |                          |
|----------------------------|----------|---|---------------|--------------------------|
| BIT                        | NAME     | FUNCTION  | Register Type | Default Value (HW reset) |
| D7                         | Reserved | <b>This Bit is Reserved</b>   | R/W           | 0                        |
| D6                         | DMOIE    | <b>Digital Monitor Output Interrupt Enable</b><br>0 = Masks the DMO function<br>1 = Enables Interrupt Generation                    | R/W           | 0                        |
| D5                         | FLSIE    | <b>FIFO Limit Status Interrupt Enable</b><br>0 = Masks the FLS function<br>1 = Enables Interrupt Generation                         | R/W           | 0                        |
| D4                         | LCV_OFIE | <b>Line Code Violation / Counter Overflow Interrupt Enable</b><br>0 = Masks the LCV/OF function<br>1 = Enables Interrupt Generation | R/W           | 0                        |
| D3                         | Reserved | <b>This Bit is Reserved</b>   | R/W           | 0                        |
| D2                         | AISDIE   | <b>Alarm Indication Signal Detection Interrupt Enable</b><br>0 = Masks the AIS function<br>1 = Enables Interrupt Generation         | R/W           | 0                        |
| D1                         | RLOSIE   | <b>Receiver Loss of Signal Interrupt Enable</b><br>0 = Masks the RLOS function<br>1 = Enables Interrupt Generation                  | R/W           | 0                        |
| D0                         | QRPDIE   | <b>Quasi Random Pattern Detect Interrupt Enable</b><br>0 = Masks the QRPD function<br>1 = Enables Interrupt Generation              | R/W           | 0                        |

14-CHANNEL T1/E1/J1 SHORT-HAUL LINE INTERFACE UNIT

**NOTE:** The GIE bit in the global register 0xE0h must be set to "1" in addition to the individual register bits to enable the interrupt pin.

**TABLE 29: MICROPROCESSOR REGISTER 0X05H BIT DESCRIPTION**

| CHANNEL 0-13 (0X05H-0XD5H) |          |   |               |                          |
|----------------------------|----------|---|---------------|--------------------------|
| BIT                        | NAME     | FUNCTION  | Register Type | Default Value (HW reset) |
| D7                         | Reserved | <b>This Bit is Reserved</b>   | RO            | 0                        |
| D6                         | DMO      | <b>Digital Monitor Output</b><br>The digital monitor output is always active regardless if the interrupt generation is disabled. This bit indicates the DMO activity. An interrupt will not occur unless the DMOIE is set to "1" in the channel register 0x04h and GIE is set to "1" in the global register 0xE0h.<br>0 = No Alarm<br>1 = Transmit output driver has failures   | RO            | 0                        |
| D5                         | FLS      | <b>FIFO Limit Status</b><br>The FIFO limit status is always active regardless if the interrupt generation is disabled. This bit indicates whether the RD/WR pointers are within 3-Bits. An interrupt will not occur unless the FLSIE is set to "1" in the channel register 0x04h and GIE is set to "1" in the global register 0xE0h.<br>0 = No Alarm<br>1 = RD/WR FIFO pointers are within ±3-Bits  | RO            | 0                        |
| D4                         | LCV_OF   | <b>Line Code Violation / Counter Overflow</b><br>This bit serves a dual purpose. By default, this bit monitors the line code violation activity. However, if bit 7 in register 0xE5h is set to a "1", this bit monitors the overflow status of the internal LCV counter. An interrupt will not occur unless the LCV_OFIE is set to "1" in the channel register 0x04h and GIE is set to "1" in the global register 0xE0h.<br>0 = No Alarm<br>1 = A line code violation, bipolar violation, or excessive zeros has occurred | RO            | 0                        |
| D3                         | Reserved | <b>This Bit is Reserved</b>   | RO            | 0                        |
| D2                         | AISD     | <b>Alarm Indication Signal Detection</b><br>The alarm indication signal detection is always active regardless if the interrupt generation is disabled. This bit indicates the AIS activity. An interrupt will not occur unless the AISIE is set to "1" in the channel register 0x04h and GIE is set to "1" in the global register 0xE0h.<br>0 = No Alarm<br>1 = An all ones signal is detected  | RO            | 0                        |

**NOTE:** The GIE bit in the global register 0xE0h must be set to "1" in addition to the individual register bits to enable the interrupt pin.

**TABLE 29: MICROPROCESSOR REGISTER 0X05H BIT DESCRIPTION**

| CHANNEL 0-13 (0X05H-0XD5H) |      |   |               |                          |
|----------------------------|------|---|---------------|--------------------------|
| BIT                        | NAME | FUNCTION  | Register Type | Default Value (HW reset) |
| D1                         | RLOS | <b>Receiver Loss of Signal</b><br>The receiver loss of signal detection is always active regardless if the interrupt generation is disabled. This bit indicates the RLOS activity. An interrupt will not occur unless the RLOSIE is set to "1" in the channel register 0x04h and GIE is set to "1" in the global register 0xE0h.<br>0 = No Alarm<br>1 = An RLOS condition is present      | RO            | 0                        |
| D0                         | QRPD | <b>Quasi Random Pattern Detection</b><br>The quasi random pattern detection is always active regardless if the interrupt generation is disabled. This bit indicates that a QRPD has been detected. An interrupt will not occur unless the QRPDIE is set to "1" in the channel register 0x04h and GIE is set to "1" in the global register 0xE0h.<br>0 = No Alarm<br>1 = A QRP is detected | RO            | 0                        |

**TABLE 30: MICROPROCESSOR REGISTER 0X06H BIT DESCRIPTION**

| CHANNEL 0-13 (0X06H-0XD6H) |          |   |               |                          |
|----------------------------|----------|---|---------------|--------------------------|
| BIT                        | NAME     | FUNCTION  | Register Type | Default Value (HW reset) |
| D7                         | Reserved | <b>This Bit is Reserved</b>   | RUR           | 0                        |
| D6                         | DMOIS    | <b>Digital Monitor Output Interrupt Status</b><br>0 = No change<br>1 = Change in status occurred            | RUR           | 0                        |
| D5                         | FLSIS    | <b>FIFO Limit Interrupt Status</b><br>0 = No change<br>1 = Change in status occurred                        | RUR           | 0                        |
| D4                         | LCV_OFIS | <b>Line Code Violation / Overflow Interrupt Status</b><br>0 = No change<br>1 = Change in status occurred    | RUR           | 0                        |
| D3                         | Reserved | <b>This Bit is Reserved</b>   | RUR           | 0                        |
| D2                         | AISDIS   | <b>Alarm Indication Signal Detection Interrupt Status</b><br>0 = No change<br>1 = Change in status occurred | RUR           | 0                        |

TABLE 30: MICROPROCESSOR REGISTER 0x06H BIT DESCRIPTION

| CHANNEL 0-13 (0x06H-0xD6H) |       |  |               |                          |
|----------------------------|-------|--|---------------|--------------------------|
| BIT                        | NAME  | FUNCTION   | Register Type | Default Value (HW reset) |
| D1                         | RLOIS | <b>Receiver Loss of Signal Interrupt Status</b><br>0 = No change<br>1 = Change in status occurred        | RUR           | 0                        |
| D0                         | QRDIS | <b>Quasi Random Pattern Detection Interrupt Status</b><br>0 = No change<br>1 = Change in status occurred | RUR           | 0                        |

**NOTE:** Any change in status will generate an interrupt (if enabled in channel register 0x04h and GIE is set to "1" in the global register 0xE0h). The status registers are reset upon read (RUR).

TABLE 31: MICROPROCESSOR REGISTER 0x07H BIT DESCRIPTION

| CHANNEL 0-13 (0x07H-0xD7H) |          |                                |               |                          |
|----------------------------|----------|--------------------------------|---------------|--------------------------|
| BIT                        | NAME     | FUNCTION                       | Register Type | Default Value (HW reset) |
| D[7:0]                     | Reserved | <b>These Bits are Reserved</b> | RO            | 0                        |

TABLE 32: MICROPROCESSOR REGISTER 0x08H BIT DESCRIPTION

| CHANNEL 0-13 (0x08H-0xD8H) |          |   |               |                          |
|----------------------------|----------|---|---------------|--------------------------|
| BIT                        | NAME     | FUNCTION  | Register Type | Default Value (HW reset) |
| D7                         | Reserved | This Register Bit is Not Used   | X             | 0                        |
| D6                         | 1SEG6    | <b>Arbitrary Pulse Generation</b><br>The transmit output pulse is divided into 8 individual segments. This register is used to program the first segment which corresponds to the overshoot of the pulse amplitude. There are four segments for the top portion of the pulse and four segments for the bottom portion of the pulse. Segment number 5 corresponds to the undershoot of the pulse. The MSB of each segment is the sign bit.<br><br>Bit 6 = 0 = Negative Direction<br>Bit 6 = 1 = Positive Direction | R/W           | 0                        |
| D5                         | 1SEG5    |   |               | 0                        |
| D4                         | 1SEG4    |   |               | 0                        |
| D3                         | 1SEG3    |   |               | 0                        |
| D2                         | 1SEG2    |   |               | 0                        |
| D1                         | 1SEG1    |   |               | 0                        |
| D0                         | 1SEG0    |   |               | 0                        |

**TABLE 33: MICROPROCESSOR REGISTER 0x09H BIT DESCRIPTION**

| CHANNEL 0-13 (0x09H-0xD9H) |           |   |               |                          |
|----------------------------|-----------|---|---------------|--------------------------|
| BIT                        | NAME      | FUNCTION  | Register Type | Default Value (HW reset) |
| D7                         | Reserved  | This Register Bit is Not Used                                 | X             | 0                        |
| D[6:0]                     | 2SEG[6:0] | <b>Segment Number Two, Same Description as Register 0x08h</b> | R/W           |                          |

**TABLE 34: MICROPROCESSOR REGISTER 0x0AH BIT DESCRIPTION**

| CHANNEL 0-13 (0x0AH-0xDAH) |           |   |               |                          |
|----------------------------|-----------|---|---------------|--------------------------|
| BIT                        | NAME      | FUNCTION  | Register Type | Default Value (HW reset) |
| D7                         | Reserved  | This Register Bit is Not Used                                   | X             | 0                        |
| D[6:0]                     | 3SEG[6:0] | <b>Segment Number Three, Same Description as Register 0x08h</b> | R/W           |                          |

**TABLE 35: MICROPROCESSOR REGISTER 0x0BH BIT DESCRIPTION**

| CHANNEL 0-13 (0x0BH-0xDBH) |           |  |               |                          |
|----------------------------|-----------|--|---------------|--------------------------|
| BIT                        | NAME      | FUNCTION   | Register Type | Default Value (HW reset) |
| D7                         | Reserved  | This Register Bit is Not Used                                  | X             | 0                        |
| D[6:0]                     | 4SEG[6:0] | <b>Segment Number Four, Same Description as Register 0x08h</b> | R/W           |                          |

**TABLE 36: MICROPROCESSOR REGISTER 0x0CH BIT DESCRIPTION**

| CHANNEL 0-13 (0x0CH-0xDCH) |           |  |               |                          |
|----------------------------|-----------|--|---------------|--------------------------|
| BIT                        | NAME      | FUNCTION   | Register Type | Default Value (HW reset) |
| D7                         | Reserved  | This Register Bit is Not Used                                  | X             | 0                        |
| D[6:0]                     | 5SEG[6:0] | <b>Segment Number Five, Same Description as Register 0x08h</b> | R/W           |                          |

**TABLE 37: MICROPROCESSOR REGISTER 0x0DH BIT DESCRIPTION**

| CHANNEL 0-13 (0x0DH-0xDDH) |           |   |               |                          |
|----------------------------|-----------|---|---------------|--------------------------|
| BIT                        | NAME      | FUNCTION  | Register Type | Default Value (HW reset) |
| D7                         | Reserved  | This Register Bit is Not Used                                 | X             | 0                        |
| D[6:0]                     | 6SEG[6:0] | <b>Segment Number Six, Same Description as Register 0x08h</b> | R/W           |                          |

**TABLE 38: MICROPROCESSOR REGISTER 0x0EH BIT DESCRIPTION**

| CHANNEL 0-13 (0x0EH-0xDEH) |           |   |               |                          |
|----------------------------|-----------|---|---------------|--------------------------|
| BIT                        | NAME      | FUNCTION  | Register Type | Default Value (HW reset) |
| D7                         | Reserved  | This Register Bit is Not Used                                   | X             | 0                        |
| D[6:0]                     | 7SEG[6:0] | <b>Segment Number Seven, Same Description as Register 0x08h</b> | R/W           |                          |

**TABLE 39: MICROPROCESSOR REGISTER 0x0FH BIT DESCRIPTION**

| CHANNEL 0-13 (0x0FH-0xDFH) |           |   |               |                          |
|----------------------------|-----------|---|---------------|--------------------------|
| BIT                        | NAME      | FUNCTION  | Register Type | Default Value (HW reset) |
| D7                         | Reserved  | This Register Bit is Not Used                                   | X             | 0                        |
| D[6:0]                     | 8SEG[6:0] | <b>Segment Number Eight, Same Description as Register 0x08h</b> | R/W           |                          |

**TABLE 40: MICROPROCESSOR REGISTER 0xE0H BIT DESCRIPTION**

| GLOBAL REGISTER (0xE0H) |       |   |               |                          |
|-------------------------|-------|---|---------------|--------------------------|
| BIT                     | NAME  | FUNCTION  | Register Type | Default Value (HW reset) |
| D7                      | SR/DR | <b>Single Rail/Dual Rail Mode</b><br>This bit sets the LIU to receive and transmit digital data in a single rail or a dual rail format.<br>0 = Dual Rail Mode<br>1 = Single Rail Mode   | R/W           | 0                        |
| D6                      | ATAOS | <b>Automatic Transmit All Ones</b><br>If ATAOS is selected, an all ones pattern will be transmitted on any channel that experiences an RLOS condition. If an RLOS condition does not occur, TAOS will remain inactive.<br>0 = Disabled<br>1 = Enabled | R/W           | 0                        |



**TABLE 40: MICROPROCESSOR REGISTER 0xE0H BIT DESCRIPTION**

| GLOBAL REGISTER (0xE0H) |          |  |               |                          |
|-------------------------|----------|--|---------------|--------------------------|
| BIT                     | NAME     | FUNCTION   | Register Type | Default Value (HW reset) |
| D5                      | RCLKE    | <b>Receive Clock Data</b><br>0 = RPOS/RNEG data is updated on the rising edge of RCLK<br>1 = RPOS/RNEG data is updated on the falling edge of RCLK   | R/W           | 0                        |
| D4                      | TCLKE    | <b>Transmit Clock Data</b><br>0 = TPOS/TNEG data is sampled on the falling edge of TCLK<br>1 = TPOS/TNEG data is sampled on the rising edge of TCLK  | R/W           | 0                        |
| D3                      | DATAP    | <b>Data Polarity</b><br>0 = Transmit input and receive output data is active "High"<br>1 = Transmit input and receive output data is active "Low"  | R/W           | 0                        |
| D2                      | Reserved | This Register Bit is Not Used  | R/W           | 0                        |
| D1                      | GIE      | <b>Global Interrupt Enable</b><br>The global interrupt enable is used to enable/disable all interrupt activity for all 14 channels. This bit must be set "High" for the interrupt pin to operate.<br>0 = Disable all interrupt generation<br>1 = Enable interrupt generation to the individual channel registers | R/W           | 0                        |
| D0                      | SRESET   | <b>Software Reset</b><br>Writing a "1" to this bit for more than 10µS initiates a device reset for all internal circuits except the microprocessor register bits. To reset the registers to their default setting, use the Hardware Reset pin (See the pin description for more details).                        | R/W           | 0                        |

**TABLE 41: MICROPROCESSOR REGISTER 0xE1H BIT DESCRIPTION**

| GLOBAL REGISTER (0xE1H) |          |  |               |                          |
|-------------------------|----------|--|---------------|--------------------------|
| BIT                     | NAME     | FUNCTION   | Register Type | Default Value (HW reset) |
| D7 - D3                 | Reserved | These Register Bits are Not Used   | R/W           | 0                        |
| D2                      | RxMUTE   | <b>Receiver Output Mute Enable</b><br>If RxMUTE is selected, RPOS/RNEG will be pulled "Low" for any channel that experiences an RLOS condition. If an RLOS condition does not occur, RxMUTE will remain inactive.<br>0 = Disabled<br>1 = Enabled | R/W           | 0                        |

TABLE 41: MICROPROCESSOR REGISTER 0xE1H BIT DESCRIPTION

| GLOBAL REGISTER (0xE1H) |       |   |               |                          |
|-------------------------|-------|---|---------------|--------------------------|
| BIT                     | NAME  | FUNCTION  | Register Type | Default Value (HW reset) |
| D1                      | EXLOS | <b>Extended Loss of Zeros</b><br>The number of zeros required to declare a Digital Loss of Signal is extended to 4,096.<br>0 = Normal Operation<br>1 = Enables the EXLOS function | R/W           | 0                        |
| D0                      | ICT   | <b>In Circuit Testing</b><br>0 = Normal Operation<br>1 = Sets all output pins to "High" impedance for in circuit testing  | R/W           | 0                        |

TABLE 42: MICROPROCESSOR REGISTER 0xE2H BIT DESCRIPTION

| GLOBAL REGISTER (0xE2H) |          |  |               |                          |
|-------------------------|----------|--|---------------|--------------------------|
| BIT                     | NAME     | FUNCTION   | Register Type | Default Value (HW reset) |
| D7                      | Reserved | This Register Bit is Not Used  | R/W           | 0                        |
| D6                      | RxTCNTL  | <b>Receive Termination Select Control</b><br>This bit sets the LIU to control the RxTSEL function with either the individual channel register bit or the global hardware pin.<br>0 = Control of the receive termination is set to the register bits<br>1 = Control of the receive termination is set to the hardware pin | R/W           | 0                        |
| D[5:0]                  | Reserved | <b>These Bits are Reserved</b>   | R/W           | 0                        |

TABLE 43: MICROPROCESSOR REGISTER 0xE3H BIT DESCRIPTION

| GLOBAL REGISTER (0xE3H) |                |  |               |                          |
|-------------------------|----------------|--|---------------|--------------------------|
| BIT                     | NAME           | FUNCTION   | Register Type | Default Value (HW reset) |
| D[7:4]                  | Reserved       | These Register Bits are Not Used   | R/W           | 0                        |
| D3<br>D2                | SL<1><br>SL<0> | <b>Slicer Level Select</b><br>00 = 60%<br>01 = 65%<br>10 = 70%<br>11 = 55% | R/W           | 0<br>0                   |
| D[7:0]                  | Reserved       | These Register Bits are Not Used   | R/W           | 0                        |

**TABLE 44: MICROPROCESSOR REGISTER 0XE4H BIT DESCRIPTION**

| GLOBAL REGISTER (0XE4H) |                          |  |               |                          |
|-------------------------|--------------------------|--|---------------|--------------------------|
| BIT                     | NAME                     | FUNCTION   | Register Type | Default Value (HW reset) |
| D7<br>D6                | MCLKT1out1<br>MCLKT1out0 | <b>MCLKT1Nout Select</b><br>MclkT1out[1:0] is used to program the MCLKT1out pin. By default, the output clock is 1.544MHz.<br>00 = 1.544MHz<br>01 = 3.088MHz<br>10 = 6.176MHz<br>11 = 12.352MHz  | R/W           | 0<br>0                   |
| D5<br>D4                | MCLKE1out1<br>MCLKE1out0 | <b>MCLKE1Nout Select</b><br>MclKE1out[1:0] is used to program the MCLKE1Nout pin. By default, the output clock is 2.048MHz.<br>00 = 2.048MHz<br>01 = 4.096MHz<br>10 = 8.192MHz<br>11 = 16.384MHz | R/W           | 0<br>0                   |
| D[3:0]                  | Reserved                 | These Register Bits are Not Used   | R/W           | 0                        |

**TABLE 45: MICROPROCESSOR REGISTER 0XE5H BIT DESCRIPTION**

| GLOBAL REGISTER (0XE5H) |          |  |               |                          |
|-------------------------|----------|--|---------------|--------------------------|
| BIT                     | NAME     | FUNCTION   | Register Type | Default Value (HW reset) |
| D7                      | LCV_OFLW | <b>Line Code Violation / Counter Overflow Monitor Select</b><br>This bit is used to select the monitoring activity between the LCV and the counter overflow status. When the 16-bit LCV counter saturates, the counter overflow condition is activated. By default, the LCV activity is monitored by bit D4 in register 0x05h.<br>0 = Monitoring LCV<br>1 = Monitoring the counter overflow status | R/W           | 0                        |
| D6                      | Reserved |  | R/W           | 0                        |
| D5                      | Reserved | This Register Bit is Not Used  | R/W           | 0                        |

TABLE 45: MICROPROCESSOR REGISTER 0xE5H BIT DESCRIPTION

| GLOBAL REGISTER (0xE5H) |          |   |               |                          |
|-------------------------|----------|---|---------------|--------------------------|
| BIT                     | NAME     | FUNCTION  | Register Type | Default Value (HW reset) |
| D4                      | Reserved | This Register Bit is Not Used   | R/W           | 0                        |
| D3                      | LCVCH3   | <b>Line Code Violation Counter Select</b><br>These bits are used to select which channel is to be addressed for reading the contents in register 0xE8h. It is also used to address the counter for a given channel when performing an update or reset on a per channel basis. By default, Channel 0 is selected.<br>0000, 1111 = None<br>0001 = Channel 0<br>0010 = Channel 1<br>0011 = Channel 2<br>0100 = Channel 3<br>0101 = Channel 4<br>0110 = Channel 5<br>0111 = Channel 6<br>1000 = Channel 7<br>1001 = Channel 8<br>1010 = Channel 9<br>1011 = Channel 10<br>1100 = Channel 11<br>1101 = Channel 12<br>1110 = Channel 13 | R/W           | 0                        |
| D2                      | LCVCH2   |   |               | 0                        |
| D1                      | LCVCH1   |   |               | 0                        |
| D0                      | LCVCH0   |   |               | 0                        |
|                         |          |   |               |                          |

TABLE 46: MICROPROCESSOR REGISTER 0xE6H BIT DESCRIPTION

| GLOBAL REGISTER (0xE6H) |           |  |               |                          |
|-------------------------|-----------|--|---------------|--------------------------|
| BIT                     | NAME      | FUNCTION   | Register Type | Default Value (HW reset) |
| D[7:5]                  | Reserved  | These Register Bits are Not Used   | R/W           | 0                        |
| D4                      | allRST    | <b>LCV Counter Reset for All Channels</b><br>This bit is used to reset all internal LCV counters to their default state 0000h. This bit must be set to "1" for 1μS.<br>0 = Normal Operation<br>1 = Resets all Counters   | R/W           | 0                        |
| D3                      | allUPDATE | <b>LCV Counter Update for All Channels</b><br>This bit is used to latch the contents of all 14 counters into holding registers so that the value of each counter can be read. The channel is addressed by using bits D[3:0] in register 0xE5h.<br>0 = Normal Operation<br>1 = Updates all Counters | R/W           | 0                        |

**TABLE 46: MICROPROCESSOR REGISTER 0xE6H BIT DESCRIPTION**

| GLOBAL REGISTER (0xE6H) |          |   |               |                          |
|-------------------------|----------|---|---------------|--------------------------|
| BIT                     | NAME     | FUNCTION  | Register Type | Default Value (HW reset) |
| D2                      | BYTEsel  | <p><b>LCV Counter Byte Select</b></p> <p>This bit is used to select the MSB or LSB for Reading the contents of the LCV counter for a given channel. The channel is addressed by using bits D[3:0] in register 0xE5h. By default, the LSB byte is selected.</p> <p>0 = Low Byte<br/>1 = High Byte</p>                                  | R/W           | 0                        |
| D1                      | chUPDATE | <p><b>LCV Counter Update Per Channel</b></p> <p>This bit is used to latch the contents of the counter for a given channel into a holding register so that the value of the counter can be read. The channel is addressed by using bits D[3:0] in register 0xE5h.</p> <p>0 = Normal Operation<br/>1 = Updates the Selected Channel</p> | R/W           | 0                        |
| D0                      | ChRST    | <p><b>LCV Counter Reset Per Channel</b></p> <p>This bit is used to reset the LCV counter of a given channel to its default state 0000h. The channel is addressed by using bits D[3:0] in register 0xE5h. This bit must be set to "1" for 1µS.</p> <p>0 = Normal Operation<br/>1 = Resets the Selected Channel</p>                     | R/W           | 0                        |

**TABLE 47: MICROPROCESSOR REGISTER 0xE7H BIT DESCRIPTION**

| GLOBAL REGISTER (0xE7H) |          |                                  |               |                          |
|-------------------------|----------|----------------------------------|---------------|--------------------------|
| BIT                     | NAME     | FUNCTION                         | Register Type | Default Value (HW reset) |
| D[7:0]                  | Reserved | These Register Bits are Not Used | R/W           | 0                        |

**TABLE 48: MICROPROCESSOR REGISTER 0xE8H BIT DESCRIPTION**

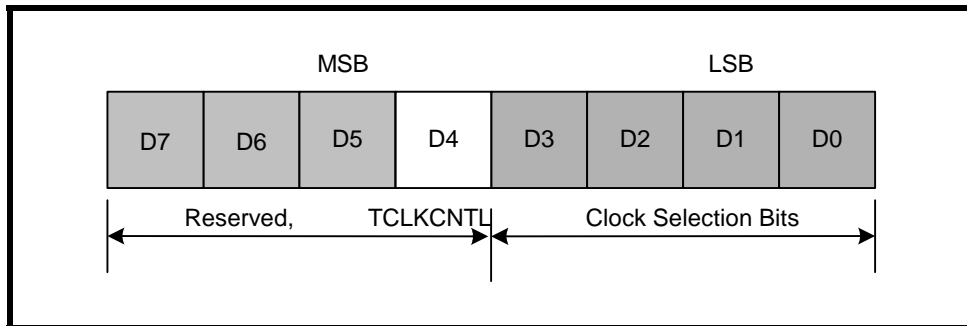
| GLOBAL REGISTER (0xE8H) |         |   |               |                          |
|-------------------------|---------|---|---------------|--------------------------|
| BIT                     | NAME    | FUNCTION  | Register Type | Default Value (HW reset) |
| D7                      | LCVCNT7 | <b>Line Code Violation Byte Contents</b><br>These bits contain the LCV counter contents of the Byte selected by bit D2 in register 0xE6h for a given channel. The channel is addressed by using bits D[3:0] in register 0xE5h. By default, the contents contain the LSB, however no channel is selected.. | R/W           | 0                        |
| D6                      | LCVCNT6 |   |               | 0                        |
| D5                      | LCVCNT5 |   |               | 0                        |
| D4                      | LCVCNT4 |   |               | 0                        |
| D3                      | LCVCNT3 |   |               | 0                        |
| D2                      | LCVCNT2 |   |               | 0                        |
| D1                      | LCVCNT1 |   |               | 0                        |
| D0                      | LCVCNT0 |   |               | 0                        |

**CLOCK SELECT REGISTER**

The input clock source is used to generate all the necessary clock references internally to the LIU. The microprocessor timing is derived from a PLL output which is chosen by programming the Clock Select Bits in register 0xE9h. Therefore, if the clock selection bits are being programmed, the frequency of the PLL output will be adjusted accordingly. During this adjustment, it is important to "Not" write to any other bit location within the same register while selecting the input/output clock frequency. For best results, register 0xE9h can be broken down into two sub-registers with the MSB being bit D4 and the LSB being bits D[3:0] as shown in Figure 36.

*NOTE: Bits D[7:5] are reserved.*

**FIGURE 36. REGISTER 0xE9H SUB REGISTERS**



Programming Examples:

**Example 1: Changing bits D[7:4]**

If bit D4 is the only values within the register that will change in a WRITE process, the microprocessor only needs to initiate ONE write operation.

**Example 2: Changing bits D[3:0]**

If bits D[3:0] are the only values within the register that will change in a WRITE process, the microprocessor only needs to initiate ONE write operation.

**Example 3: Changing bits within the MSB and LSB**

In this scenario, one must initiate TWO write operations such that the MSB and LSB do not change within ONE write cycle. It is recommended that the MSB and LSB be treated as two independent sub-registers. One can either change the clock selection bits D[3:0] (LSB) and then change bit D4 (MSB) on the SECOND write, or vice-versa. No order or sequence is necessary.

**TABLE 49: MICROPROCESSOR REGISTER 0XE9H BIT DESCRIPTION**

| GLOBAL REGISTER (0XE9H) |  |  |               |                          |
|-------------------------|--|--|---------------|--------------------------|
| BIT                     | NAME                                     | FUNCTION   | Register Type | Default Value (HW reset) |
| D7 - D5                 | Reserved                                 | These Register Bits are Not Used   | R/W           | 0                        |
| D4                      | TCLKCNL                                  | <b>Transmit Clock Control</b><br>When this bit is pulled "High" and there is no TCLK signal present on the transmit input path, TTIP/TRING will Transmit All "Ones" (TAOS). By default, TTIP/TRING will Transmit All Zeros.<br>0 = All Zeros<br>1 = All Ones   | R/W           | 0                        |
| D3<br>D2<br>D1<br>D0    | CLKSEL3<br>CLKSEL2<br>CLKSEL1<br>CLKSEL0 | <b>Clock Input Select</b><br>CLKSEL[3:0] is used to select the input clock source used as the internal timing reference.<br>0000 = 2.048 MHz<br>0001 = 1.544 MHz<br>1000 = 4.096 Mhz<br>1001 = 3.088 Mhz<br>1010 = 8.192 Mhz<br>1011 = 6.176 Mhz<br>1100 = 16.384 Mhz<br>1101 = 12.352 Mhz<br>1110 = 2.048 Mhz<br>1111 = 1.544 Mhz | R/W           | 0<br>0<br>0<br>0         |

**TABLE 50: MICROPROCESSOR REGISTER 0XEAH BIT DESCRIPTION**

| GLOBAL REGISTER (0XEAH) |        |  |               |                          |
|-------------------------|--------|--|---------------|--------------------------|
| BIT                     | NAME   | FUNCTION   | Register Type | Default Value (HW reset) |
| D7                      | GCHIS7 | <b>Global Channel Interrupt Status for Channel 7</b><br>0 = No interrupt activity from channel 7<br>1 = Interrupt was generated from channel 7 | RUR           | 0                        |
| D6                      | GCHIS6 | <b>Global Channel Interrupt Status for Channel 6</b><br>0 = No interrupt activity from channel 6<br>1 = Interrupt was generated from channel 6 | RUR           | 0                        |
| D5                      | GCHIS5 | <b>Global Channel Interrupt Status for Channel 5</b><br>0 = No interrupt activity from channel 5<br>1 = Interrupt was generated from channel 5 | RUR           | 0                        |
| D4                      | GCHIS4 | <b>Global Channel Interrupt Status for Channel 4</b><br>0 = No interrupt activity from channel 4<br>1 = Interrupt was generated from channel 4 | RUR           | 0                        |

TABLE 50: MICROPROCESSOR REGISTER 0XEAH BIT DESCRIPTION

| GLOBAL REGISTER (0XEAH) |        |  |               |                          |
|-------------------------|--------|--|---------------|--------------------------|
| BIT                     | NAME   | FUNCTION   | Register Type | Default Value (HW reset) |
| D3                      | GCHIS3 | <b>Global Channel Interrupt Status for Channel 3</b><br>0 = No interrupt activity from channel 3<br>1 = Interrupt was generated from channel 3 | RUR           | 0                        |
| D2                      | GCHIS2 | <b>Global Channel Interrupt Status for Channel 2</b><br>0 = No interrupt activity from channel 2<br>1 = Interrupt was generated from channel 2 | RUR           | 0                        |
| D1                      | GCHIS1 | <b>Global Channel Interrupt Status for Channel 1</b><br>0 = No interrupt activity from channel 1<br>1 = Interrupt was generated from channel 1 | RUR           | 0                        |
| D0                      | GCHIS0 | <b>Global Channel Interrupt Status for Channel 0</b><br>0 = No interrupt activity from channel 0<br>1 = Interrupt was generated from channel 0 | RUR           | 0                        |

TABLE 51: MICROPROCESSOR REGISTER 0xEBH BIT DESCRIPTION

| GLOBAL REGISTER (0xEBH) |          |   |               |                          |
|-------------------------|----------|---|---------------|--------------------------|
| BIT                     | NAME     | FUNCTION  | Register Type | Default Value (HW reset) |
| D7                      | Reserved | This Register Bit is Not Used   | RUR           | 0                        |
| D6                      | Reserved | This Register Bit is Not Used   | RUR           | 0                        |
| D5                      | GCHIS13  | <b>Global Channel Interrupt Status for Channel 13</b><br>0 = No interrupt activity from channel 13<br>1 = Interrupt was generated from channel 13 | RUR           | 0                        |
| D4                      | GCHIS12  | <b>Global Channel Interrupt Status for Channel 12</b><br>0 = No interrupt activity from channel 12<br>1 = Interrupt was generated from channel 12 | RUR           | 0                        |
| D3                      | GCHIS11  | <b>Global Channel Interrupt Status for Channel 11</b><br>0 = No interrupt activity from channel 11<br>1 = Interrupt was generated from channel 11 | RUR           | 0                        |
| D2                      | GCHIS10  | <b>Global Channel Interrupt Status for Channel 10</b><br>0 = No interrupt activity from channel 10<br>1 = Interrupt was generated from channel 10 | RUR           | 0                        |
| D1                      | GCHIS9   | <b>Global Channel Interrupt Status for Channel 9</b><br>0 = No interrupt activity from channel 9<br>1 = Interrupt was generated from channel 9    | RUR           | 0                        |
| D0                      | GCHIS8   | <b>Global Channel Interrupt Status for Channel 8</b><br>0 = No interrupt activity from channel 8<br>1 = Interrupt was generated from channel 8    | RUR           | 0                        |



**TABLE 52: RECOVERED CLOCK SELECT**

| RECOVERED CLOCK SELECT REGISTER (0xEEH) |                  |  |                             |                          |            |                  |      |        |      |        |      |        |      |        |      |        |      |        |      |        |      |        |      |        |      |        |      |         |      |         |      |         |      |         |     |   |
|---|------------------|--|-----------------------------|--------------------------|------------|------------------|------|--------|------|--------|------|--------|------|--------|------|--------|------|--------|------|--------|------|--------|------|--------|------|--------|------|---------|------|---------|------|---------|------|---------|-----|---|
| BIT                                     | NAME             | FUNCTION   | Register Type               | Default Value (HW reset) |            |                  |      |        |      |        |      |        |      |        |      |        |      |        |      |        |      |        |      |        |      |        |      |         |      |         |      |         |      |         |     |   |
| D[7:4]                                  | Reserved         |  |                             |                          |            |                  |      |        |      |        |      |        |      |        |      |        |      |        |      |        |      |        |      |        |      |        |      |         |      |         |      |         |      |         |     |   |
| D[3:0]                                  | RCLKOUT          | <p><b>Recovered Clock Select</b><br/>                     These register bits are used to select the recovered clock from one of the RCLK[13:0] lines and output it on the RCLKOUT pin.</p> <table border="1" style="margin-left: auto; margin-right: auto;"> <thead> <tr> <th>Recovered Clock Select[3:0]</th> <th>Selected RCLK</th> </tr> </thead> <tbody> <tr> <td>0000, 1111</td> <td>No RCLK Selected</td> </tr> <tr> <td>0001</td> <td>RCLK 0</td> </tr> <tr> <td>0010</td> <td>RCLK 1</td> </tr> <tr> <td>0011</td> <td>RCLK 2</td> </tr> <tr> <td>0100</td> <td>RCLK 3</td> </tr> <tr> <td>0101</td> <td>RCLK 4</td> </tr> <tr> <td>0110</td> <td>RCLK 5</td> </tr> <tr> <td>0111</td> <td>RCLK 6</td> </tr> <tr> <td>1000</td> <td>RCLK 7</td> </tr> <tr> <td>1001</td> <td>RCLK 8</td> </tr> <tr> <td>1010</td> <td>RCLK 9</td> </tr> <tr> <td>1011</td> <td>RCLK 10</td> </tr> <tr> <td>1100</td> <td>RCLK 11</td> </tr> <tr> <td>1101</td> <td>RCLK 12</td> </tr> <tr> <td>1110</td> <td>RCLK 13</td> </tr> </tbody> </table> | Recovered Clock Select[3:0] | Selected RCLK            | 0000, 1111 | No RCLK Selected | 0001 | RCLK 0 | 0010 | RCLK 1 | 0011 | RCLK 2 | 0100 | RCLK 3 | 0101 | RCLK 4 | 0110 | RCLK 5 | 0111 | RCLK 6 | 1000 | RCLK 7 | 1001 | RCLK 8 | 1010 | RCLK 9 | 1011 | RCLK 10 | 1100 | RCLK 11 | 1101 | RCLK 12 | 1110 | RCLK 13 | R/W | 0 |
| Recovered Clock Select[3:0]             | Selected RCLK    |  |                             |                          |            |                  |      |        |      |        |      |        |      |        |      |        |      |        |      |        |      |        |      |        |      |        |      |         |      |         |      |         |      |         |     |   |
| 0000, 1111                              | No RCLK Selected |  |                             |                          |            |                  |      |        |      |        |      |        |      |        |      |        |      |        |      |        |      |        |      |        |      |        |      |         |      |         |      |         |      |         |     |   |
| 0001                                    | RCLK 0           |  |                             |                          |            |                  |      |        |      |        |      |        |      |        |      |        |      |        |      |        |      |        |      |        |      |        |      |         |      |         |      |         |      |         |     |   |
| 0010                                    | RCLK 1           |  |                             |                          |            |                  |      |        |      |        |      |        |      |        |      |        |      |        |      |        |      |        |      |        |      |        |      |         |      |         |      |         |      |         |     |   |
| 0011                                    | RCLK 2           |  |                             |                          |            |                  |      |        |      |        |      |        |      |        |      |        |      |        |      |        |      |        |      |        |      |        |      |         |      |         |      |         |      |         |     |   |
| 0100                                    | RCLK 3           |  |                             |                          |            |                  |      |        |      |        |      |        |      |        |      |        |      |        |      |        |      |        |      |        |      |        |      |         |      |         |      |         |      |         |     |   |
| 0101                                    | RCLK 4           |  |                             |                          |            |                  |      |        |      |        |      |        |      |        |      |        |      |        |      |        |      |        |      |        |      |        |      |         |      |         |      |         |      |         |     |   |
| 0110                                    | RCLK 5           |  |                             |                          |            |                  |      |        |      |        |      |        |      |        |      |        |      |        |      |        |      |        |      |        |      |        |      |         |      |         |      |         |      |         |     |   |
| 0111                                    | RCLK 6           |  |                             |                          |            |                  |      |        |      |        |      |        |      |        |      |        |      |        |      |        |      |        |      |        |      |        |      |         |      |         |      |         |      |         |     |   |
| 1000                                    | RCLK 7           |  |                             |                          |            |                  |      |        |      |        |      |        |      |        |      |        |      |        |      |        |      |        |      |        |      |        |      |         |      |         |      |         |      |         |     |   |
| 1001                                    | RCLK 8           |  |                             |                          |            |                  |      |        |      |        |      |        |      |        |      |        |      |        |      |        |      |        |      |        |      |        |      |         |      |         |      |         |      |         |     |   |
| 1010                                    | RCLK 9           |  |                             |                          |            |                  |      |        |      |        |      |        |      |        |      |        |      |        |      |        |      |        |      |        |      |        |      |         |      |         |      |         |      |         |     |   |
| 1011                                    | RCLK 10          |  |                             |                          |            |                  |      |        |      |        |      |        |      |        |      |        |      |        |      |        |      |        |      |        |      |        |      |         |      |         |      |         |      |         |     |   |
| 1100                                    | RCLK 11          |  |                             |                          |            |                  |      |        |      |        |      |        |      |        |      |        |      |        |      |        |      |        |      |        |      |        |      |         |      |         |      |         |      |         |     |   |
| 1101                                    | RCLK 12          |  |                             |                          |            |                  |      |        |      |        |      |        |      |        |      |        |      |        |      |        |      |        |      |        |      |        |      |         |      |         |      |         |      |         |     |   |
| 1110                                    | RCLK 13          |  |                             |                          |            |                  |      |        |      |        |      |        |      |        |      |        |      |        |      |        |      |        |      |        |      |        |      |         |      |         |      |         |      |         |     |   |

TABLE 53: E1 ARBITRARY SELECT

| E1 ARBITRARY SELECT REGISTER (0xF4H) |          |   |               |                          |
|--------------------------------------|----------|---|---------------|--------------------------|
| BIT                                  | NAME     | FUNCTION  | Register Type | Default Value (HW reset) |
| D[7:1]                               | Reserved |   |               |                          |
| D0                                   | E1Arben  | <p><b>E1 Arbitrary Pulse Enable</b></p> <p>This bit is used to enable the Arbitrary Pulse Generators for shaping the transmit pulse shape when E1 mode is selected. If this bit is set to "1", all 14 channels will be configured for the Arbitrary Mode. However, each channel is individually controlled by programming the channel registers 0xn8 through 0xnF, where n is the number of the channel.</p> <p>"0" = Disabled (Normal E1 Pulse Shape ITU G.703)</p> <p>"1" = Arbitrary Pulse Enabled</p> | R/W           | 0                        |

TABLE 54: MICROPROCESSOR REGISTER 0xFEH BIT DESCRIPTION

| DEVICE "ID" REGISTER (0xFEH) |             |  |               |                          |
|------------------------------|-------------|--|---------------|--------------------------|
| BIT                          | NAME        | FUNCTION   | Register Type | Default Value (HW reset) |
| D7                           | Device "ID" | <p>The device "ID" of the XRT83VSH314 short haul LIU is 0xF2h. Along with the revision "ID", the device "ID" is used to enable software to identify the silicon adding flexibility for system control and debug.</p> | RO            | 1                        |
| D6                           |             |  |               | 1                        |
| D5                           |             |  |               | 1                        |
| D4                           |             |  |               | 1                        |
| D3                           |             |  |               | 0                        |
| D2                           |             |  |               | 0                        |
| D1                           |             |  |               | 1                        |
| D0                           |             |  |               | 0                        |

TABLE 55: MICROPROCESSOR REGISTER 0xFFH BIT DESCRIPTION

| REVISION "ID" REGISTER (0xFFH) |               |  |               |                          |
|--------------------------------|---------------|--|---------------|--------------------------|
| BIT                            | NAME          | FUNCTION   | Register Type | Default Value (HW reset) |
| D7                             | Revision "ID" | <p>The revision "ID" of the XRT83VSH314 LIU is used to enable software to identify which revision of silicon is currently being tested. The revision "ID" for the first revision of silicon will be 0x01h.</p> <p><b>NOTE:</b> The value contained in this register is subject to change when a newer revision of the silicon has been issued.</p> | RO            | 0                        |
| D6                             |               |  |               | 0                        |
| D5                             |               |  |               | 0                        |
| D4                             |               |  |               | 0                        |
| D3                             |               |  |               | 0                        |
| D2                             |               |  |               | 0                        |
| D1                             |               |  |               | 0                        |
| D0                             |               |  |               | 1                        |

**8.0 ELECTRICAL CHARACTERISTICS**

**TABLE 56: ABSOLUTE MAXIMUM RATINGS**

|                       |                 |
|-----------------------|-----------------|
| Storage Temperature   | -65°C to +150°C |
| Operating Temperature | -40°C to +85°C  |
| Supply Voltage        | -0.5V to +3.8V  |
| V <sub>in</sub>       | -0.5V to +5.5V  |

**TABLE 57: DC DIGITAL INPUT AND OUTPUT ELECTRICAL CHARACTERISTICS**

| VDD=3.3V ±5%, T <sub>A</sub> =25°C, UNLESS OTHERWISE SPECIFIED |                 |      |     |      |       |
|--|-----------------|------|-----|------|-------|
| PARAMETER  | SYMBOL          | MIN  | TYP | MAX  | UNITS |
| Power Supply Voltage   | VDD             | 3.13 | 3.3 | 3.46 | V     |
| Input High Voltage   | V <sub>IH</sub> | 2.0  | -   | 5.0  | V     |
| Input Low Voltage  | V <sub>IL</sub> | -0.5 | -   | 0.8  | V     |
| Output High Voltage I <sub>OH</sub> =-2.0mA                    | V <sub>OH</sub> | 2.4  | -   |      | V     |
| Output Low Voltage I <sub>OL</sub> =2.0mA                      | V <sub>OL</sub> | -    | -   | 0.4  | V     |
| Input Leakage Current  | I <sub>L</sub>  | -    | -   | ±10  | µA    |
| Input Capacitance  | C <sub>I</sub>  | -    | 5.0 |      | pF    |
| Output Lead Capacitance  | C <sub>L</sub>  | -    | -   | 25   | pF    |

*NOTE: Input leakage current excludes pins that are internally pulled "Low" or "High"*

**TABLE 58: AC ELECTRICAL CHARACTERISTICS**

| VDD=3.3V ±5%, T <sub>A</sub> =25°C, UNLESS OTHERWISE SPECIFIED |        |     |     |     |       |
|--|--------|-----|-----|-----|-------|
| PARAMETER  | SYMBOL | MIN | TYP | MAX | UNITS |
| MCLKin Clock Duty Cycle  |        | 40  | -   | 60  | %     |
| MCLKin Clock Tolerance   |        | -   | ±50 | -   | ppm   |

TABLE 59: POWER CONSUMPTION

| VDD=3.3V ±5%, TA=25°C, INTERNAL IMPEDANCE, UNLESS OTHERWISE SPECIFIED |                |           |          |             |                |     |      |                       |
|---|----------------|-----------|----------|-------------|----------------|-----|------|-----------------------|
| MODE  | SUPPLY VOLTAGE | IMPEDANCE | RECEIVER | TRANSMITTER | TYP            | MAX | UNIT | TEST CONDITION        |
| E1  | 3.3V           | 75Ω       | 1:1      | 1:2         | 2.145<br>1.551 |     | W    | 100% ones<br>50% ones |
| E1  | 3.3V           | 120Ω      | 1:1      | 1:2         | 1.881<br>1.419 |     | W    | 100% ones<br>50% ones |
| T1  | 3.3V           | 100Ω      | 1:1      | 1:2         | 2.937<br>1.881 |     | W    | 100% ones<br>50% ones |

**NOTE:** The typical power consumption of the 1.8V supply represents ~ 72mW of the above listed.

TABLE 60: E1 RECEIVER ELECTRICAL CHARACTERISTICS

| (VDD=3.3V±5%, TA=25°C UNLESS OTHERWISE SPECIFIED)                             |              |             |             |                                      |  |
|---|--------------|-------------|-------------|--------------------------------------|--|
| PARAMETER   | MIN          | TYP.        | MAX         | UNIT                                 | TEST CONDITIONS  |
| <b>Receiver loss of signal:</b>   |              |             |             |                                      |  |
| Number of consecutive zeros before LOS is set                                 | -            | 32          | -           | bit                                  | Cable attenuation @1024KHz<br>ITU-G.775, ETS1 300 233                        |
| Input signal level at LOS   | 13           | 16          | -           | dB                                   |  |
| RLOS Clear  | 12.5         | -           | -           | % ones                               |  |
| Receiver Sensitivity<br>Cable + Flat Loss                                     | 6+6          | -           | -           | dB                                   | With nominal pulse amplitude of 3.0V for 120Ω and 2.37V for 75Ω application. |
| Interference Margin   | -18          | -14         | -           | dB                                   | With 6dB cable loss  |
| Input Impedance   | 15           |             | -           | KΩ                                   |  |
| Jitter Tolerance:<br>1 Hz<br>10KHz---100KHz                                   | 37<br>0.3    | -<br>-      | -<br>-      | U <sub>lpp</sub><br>U <sub>lpp</sub> | ITU G.823  |
| Recovered Clock Jitter<br>Transfer Corner Frequency<br>Peaking Amplitude      | -            | 20          | 36<br>0.5   | KHz<br>dB                            | ITU G.736  |
| Jitter Attenuator Corner<br>Frequency(-3dB curve)<br>JABW=0<br>JSBW=1         | -<br>-       | 10<br>1.5   | -<br>-      | Hz<br>Hz                             | ITU G.736  |
| Return Loss:<br>51KHz --- 102KHz<br>102KHz --- 2048KHz<br>2048KHz --- 3072KHz | 12<br>8<br>8 | -<br>-<br>- | -<br>-<br>- | dB<br>dB<br>dB                       | ITU G.703  |

**TABLE 61: T1 RECEIVER ELECTRICAL CHARACTERISTICS**

| VDD <sub>IO</sub> = 3.3V ± 5% , VDD <sub>CORE</sub> = 1.8V ± 5%, T <sub>A</sub> =25°C, unless otherwise specified |      |      |      |        |   |
|---|------|------|------|--------|---|
| PARAMETER   | MIN. | TYP. | MAX. | UNIT   | TEST CONDITIONS   |
| Receiver loss of signal:  |      |      |      |        |   |
| Number of consecutive zeros before RLOS is set  |      | 175  |      |        |   |
| Input signal level at RLOS  | 13   | 16   | -    | dB     | Cable attenuation @772kHz                                 |
| RLOS Clear  | 12.5 | -    | -    | % ones | ITU-G.775, ETSI 300 233                                   |
| Receiver Sensitivity<br>Cable + Flat Loss   | 6+6  | -    | -    | dB     | With nominal pulse amplitude of 3.0V for 100Ω termination |
| Interference Margin   | -18  | -14  | -    | dB     | With 6db of cable loss                                    |
| Input Impedance   | 15   | -    | -    | kW     |   |
| Jitter Tolerance:   |      |      |      |        |   |
| 1Hz   | 138  | -    | -    | UIpp   | AT&T Pub 62411  |
| 10kHz - 100kHz  | 0.4  | -    | -    |        |   |
| Recovered Clock Jitter<br>Transfer Corner Frequency<br>Peaking Amplitude  | -    | 10   | -    | KHz    | TR-TSY-000499   |
|   | -    |      | 0.1  | dB     |   |
| Jitter Attenuator Corner Frequency<br>(-3dB curve)  | -    | 3    |      | Hz     | AT&T Pub 62411  |
| Return Loss:  |      |      |      |        |   |
| 51kHz - 102kHz  | 14   | -    | -    | dB     |   |
| 102kHz - 2048kHz  | 20   | -    | -    | dB     |   |
| 2048kHz - 3072kHz   | 16   | -    | -    | dB     |   |

**TABLE 62: E1 TRANSMITTER ELECTRICAL CHARACTERISTICS**

| VDD=3.3V ±5%, T <sub>A</sub> =25°C, UNLESS OTHERWISE SPECIFIED |      |      |      |      |                 |
|--|------|------|------|------|-----------------|
| PARAMETER  | MIN  | TYP  | MAX  | UNIT | TEST CONDITION  |
| <b>AMI Output Pulse Amplitude</b>                              |      |      |      |      |                 |
| 75Ω  | 2.13 | 2.37 | 2.60 | V    | 1:2 Transformer |
| 120Ω   | 2.70 | 3.00 | 3.30 | V    |                 |
| <b>Output Pulse Width</b>                                      | 224  | 244  | 264  | ns   |                 |
| <b>Output Pulse Width Ratio</b>                                | 0.95 | -    | 1.05 |      | ITU-G.703       |
| <b>Output Pulse Amplitude Ratio</b>                            | 0.95 | -    | 1.05 |      | ITU-G.703       |

TABLE 62: E1 TRANSMITTER ELECTRICAL CHARACTERISTICS

| VDD=3.3V ±5%, T <sub>A</sub> =25°C, UNLESS OTHERWISE SPECIFIED |     |       |      |                               |  |
|--|-----|-------|------|-------------------------------|--|
| PARAMETER  | MIN | TYP   | MAX  | UNIT                          | TEST CONDITION   |
| Jitter Added by the Transmitter Output                         | -   | 0.025 | 0.05 | U <sub>I</sub> <sub>p-p</sub> | Broad Band with jitter free TCLK applied to the input. |
| Output Return Loss   |     |       |      |                               |  |
| 51kHz - 102kHz   | 15  | -     | -    | dB                            | ETSI 300 166   |
| 102kHz - 2048kHz   | 9   | -     | -    | dB                            |  |
| 2048kHz - 3072kHz  | 8   | -     | -    | dB                            |  |

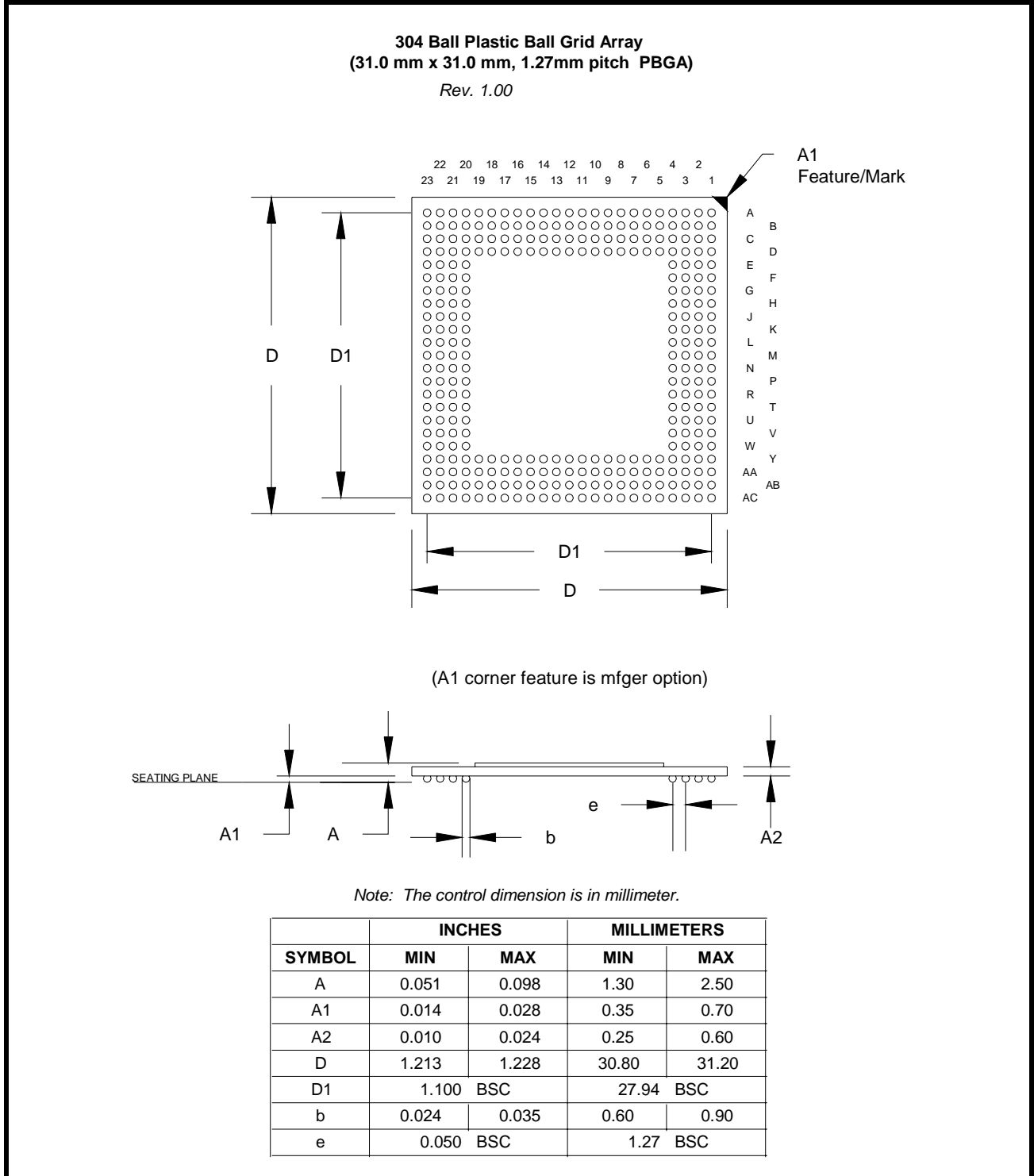
TABLE 63: T1 TRANSMITTER ELECTRICAL CHARACTERISTICS

| VDD=3.3V ±5%, T <sub>A</sub> =25°C, UNLESS OTHERWISE SPECIFIED |     |       |      |                               |  |
|--|-----|-------|------|-------------------------------|--|
| PARAMETER  | MIN | TYP   | MAX  | UNIT                          | TEST CONDITION   |
| AMI Output Pulse Amplitude                                     | 2.4 | 3.0   | 3.6  | V                             | 1:2 Transformer measured at DSX-1                      |
| Output Pulse Width   | 338 | 350   | 362  | ns                            | ANSI T1.102  |
| Output Pulse Width Imbalance                                   | -   | -     | 20   |                               | ANSI T1.102  |
| Output Pulse Amplitude Imbalance                               | -   | -     | ±200 | mV                            | ANSI T1.102  |
| Jitter Added by the Transmitter Output                         | -   | 0.025 | 0.05 | U <sub>I</sub> <sub>p-p</sub> | Broad Band with jitter free TCLK applied to the input. |
| Output Return Loss   |     |       |      |                               |  |
| 51kHz - 102kHz   | 17  | -     | -    | dB                            |  |
| 102kHz - 2048kHz   | 12  | -     | -    | dB                            |  |
| 2048kHz - 3072kHz  | 10  | -     | -    | dB                            |  |

**ORDERING INFORMATION**

| PRODUCT NUMBER | PACKAGE       | OPERATING TEMPERATURE RANGE |
|----------------|---------------|-----------------------------|
| XRT83VSH314IB  | 304 LEAD PBGA | -40°C to +85°C              |

**PACKAGE DIMENSIONS (BOTTOM VIEW)**



**REVISION HISTORY**

| REVISION # | DATE     | DESCRIPTION   |
|------------|----------|---|
| P1.0.0     | 06/22/04 | First release of the 14-Channel LIU Preliminary Datasheet   |
| P1.0.1     | 10/25/04 | Made changes to the pin-out, pin descriptions (RCLKOUT, CMPOUT, PhDIN, power pins swapped DVDD_PRE and DVDD_DRV, NC pins L4 and L21) and register tables. Modified table 3. |
| P1.0.2     | 12/08/04 | Made corrections to pinout diagram.   |
| P1.0.3     | 1/26/05  | Various text edits. Corrected register information. Added pull-up/pull-down information for some pins.  |
| P1.0.4     | 3/4/05   | Various text edits in Register Descriptions.  |
| P1.0.5     | 07/20/05 | Changed definition of pins D21 and K21. Added description for ATP_TIP and ATP_RING., section 3.6.3. Updated table 3, (receive terminations).                                |
| P1.0.6     | 07/27/05 | Corrected Device ID; Corrected Register 0x00, bit 6 description.  |
| P1.0.7     | 08/15/05 | Corrected Motorola Synchronous Microprocessor Mode PCLK timing.   |
| P1.0.8     | 01/19/06 | Corrected electrical tables. Removed 83sh314s references. Various edits and corrections.  |
| 1.0.0      | 07/11/06 | Corrected power consumption numbers. Removed reference to on chip frequency multiplier. Release to production.  |
| 1.0.1      | 09/27/06 | Edited QRSS/PRBS and INVQRSS definition in the register descriptions.   |

**NOTICE**

EXAR Corporation reserves the right to make changes to the products contained in this publication in order to improve design, performance or reliability. EXAR Corporation assumes no responsibility for the use of any circuits described herein, conveys no license under any patent or other right, and makes no representation that the circuits are free of patent infringement. Charts and schedules contained here in are only for illustration purposes and may vary depending upon a user's specific application. While the information in this publication has been carefully checked; no responsibility, however, is assumed for inaccuracies.

EXAR Corporation does not recommend the use of any of its products in life support applications where the failure or malfunction of the product can reasonably be expected to cause failure of the life support system or to significantly affect its safety or effectiveness. Products are not authorized for use in such applications unless EXAR Corporation receives, in writing, assurances to its satisfaction that: (a) the risk of injury or damage has been minimized; (b) the user assumes all such risks; (c) potential liability of EXAR Corporation is adequately protected under the circumstances.

Copyright 2006 EXAR Corporation

Datasheet September 2006.

Reproduction, in part or whole, without the prior written consent of EXAR Corporation is prohibited.



Компания «Океан Электроники» предлагает заключение долгосрочных отношений при поставках импортных электронных компонентов на взаимовыгодных условиях!

Наши преимущества:

- Поставка оригинальных импортных электронных компонентов напрямую с производств Америки, Европы и Азии, а так же с крупнейших складов мира;
- Широкая линейка поставок активных и пассивных импортных электронных компонентов (более 30 млн. наименований);
- Поставка сложных, дефицитных, либо снятых с производства позиций;
- Оперативные сроки поставки под заказ (от 5 рабочих дней);
- Экспресс доставка в любую точку России;
- Помощь Конструкторского Отдела и консультации квалифицированных инженеров;
- Техническая поддержка проекта, помощь в подборе аналогов, поставка прототипов;
- Поставка электронных компонентов под контролем ВП;
- Система менеджмента качества сертифицирована по Международному стандарту ISO 9001;
- При необходимости вся продукция военного и аэрокосмического назначения проходит испытания и сертификацию в лаборатории (по согласованию с заказчиком);
- Поставка специализированных компонентов военного и аэрокосмического уровня качества (Xilinx, Altera, Analog Devices, Intersil, Interpoint, Microsemi, Actel, Aeroflex, Peregrine, VPT, Syfer, Eurofarad, Texas Instruments, MS Kennedy, Miteq, Cobham, E2V, MA-COM, Hittite, Mini-Circuits, General Dynamics и др.);

Компания «Океан Электроники» является официальным дистрибьютором и эксклюзивным представителем в России одного из крупнейших производителей разъемов военного и аэрокосмического назначения «JONHON», а так же официальным дистрибьютором и эксклюзивным представителем в России производителя высокотехнологичных и надежных решений для передачи СВЧ сигналов «FORSTAR».



## JONHON

«JONHON» (основан в 1970 г.)

Разъемы специального, военного и аэрокосмического назначения:

(Применяются в военной, авиационной, аэрокосмической, морской, железнодорожной, горно- и нефтедобывающей отраслях промышленности)

«FORSTAR» (основан в 1998 г.)

ВЧ соединители, коаксиальные кабели, кабельные сборки и микроволновые компоненты:

(Применяются в телекоммуникациях гражданского и специального назначения, в средствах связи, РЛС, а так же военной, авиационной и аэрокосмической отраслях промышленности).



Телефон: 8 (812) 309-75-97 (многоканальный)

Факс: 8 (812) 320-03-32

Электронная почта: [ocean@oceanchips.ru](mailto:ocean@oceanchips.ru)

Web: <http://oceanchips.ru/>

Адрес: 198099, г. Санкт-Петербург, ул. Калинина, д. 2, корп. 4, лит. А