



## MPC5602D



### MPC5602D Microcontroller Data Sheet

- Single issue, 32-bit CPU core complex (e200z0h)
  - Compliant with the Power Architecture® embedded category
  - Includes an instruction set enhancement allowing variable length encoding (VLE) for code size footprint reduction. With the optional encoding of mixed 16-bit and 32-bit instructions, it is possible to achieve significant code size footprint reduction.
- Up to 256 KB on-chip Code Flash supported with Flash controller and ECC
- 64 KB on-chip Data Flash with ECC
- Up to 16 KB on-chip SRAM with ECC
- Interrupt controller (INTC) with multiple interrupt vectors, including 20 external interrupt sources and 18 external interrupt/wakeup sources
- Frequency modulated phase-locked loop (FMPLL)
- Crossbar switch architecture for concurrent access to peripherals, Flash, or SRAM from multiple bus masters
- Boot assist module (BAM) supports internal Flash programming via a serial link (CAN or SCI)
- Timer supports input/output channels providing a range of 16-bit input capture, output compare, and pulse width modulation functions (eMIOS-lite)
- Up to 33 channel 12-bit analog-to-digital converter (ADC)
- 2 serial peripheral interface (DSPI) modules
- 3 serial communication interface (LINFlex) modules
  - LINFlex 1 and 2: Master capable
  - LINFlex 0: Master capable and slave capable; connected to eDMA
- 1 enhanced full CAN (FlexCAN) module with configurable buffers
- Up to 79 configurable general purpose pins supporting input and output operations (package dependent)
- Real Time Counter (RTC) with clock source from 128 kHz or 16 MHz internal RC oscillator supporting autonomous wakeup with 1 ms resolution with max timeout of 2 seconds
- Up to 4 periodic interrupt timers (PIT) with 32-bit counter resolution
- 1 System Timer Module (STM)
- Nexus development interface (NDI) per IEEE-ISTO 5001-2003 Class 1 standard
- Device/board boundary Scan testing supported with per Joint Test Action Group (JTAG) of IEEE (IEEE 1149.1)
- On-chip voltage regulator (VREG) for regulation of input supply for all internal levels

This document contains information on a new product. Specifications and information herein are subject to change without notice.

# Table of Contents

1	Introduction	3	4.10	Power consumption	41
1.1	Document overview	3	4.11	Flash memory electrical characteristics	42
1.2	Description	3	4.11.1	Program/Erase characteristics	42
2	Block diagram	4	4.11.2	Flash power supply DC characteristics	44
3	Package pinouts and signal descriptions	7	4.11.3	Start-up/Switch-off timings	45
3.1	Package pinouts	7	4.12	Electromagnetic compatibility (EMC) characteristics	45
3.2	Pad configuration during reset phases	9	4.12.1	Designing hardened software to avoid noise problems	45
3.3	Voltage supply pins	9	4.12.2	Electromagnetic interference (EMI)	46
3.4	Pad types	10	4.12.3	Absolute maximum ratings (electrical sensitivity)	46
3.5	System pins	10	4.13	Fast external crystal oscillator (4 to 16 MHz) electrical characteristics	48
3.6	Functional ports	11	4.14	FMPLL electrical characteristics	51
4	Electrical characteristics	21	4.15	Fast internal RC oscillator (16 MHz) electrical characteristics	51
4.1	Introduction	21	4.16	Slow internal RC oscillator (128 kHz) electrical characteristics	52
4.2	Parameter classification	21	4.17	ADC electrical characteristics	54
4.3	NVUSRO register	21	4.17.1	Introduction	54
4.3.1	NVUSRO[PAD3V5V] field description	22	4.17.2	Input impedance and ADC accuracy	55
4.3.2	NVUSRO[OSCILLATOR_MARGIN] field description	22	4.17.3	ADC electrical characteristics	60
4.3.3	NVUSRO[WATCHDOG_EN] field description	22	4.18	On-chip peripherals	62
4.4	Absolute maximum ratings	22	4.18.1	Current consumption	62
4.5	Recommended operating conditions	23	4.18.2	DSPI characteristics	63
4.6	Thermal characteristics	26	4.18.3	JTAG characteristics	70
4.6.1	Package thermal characteristics	26	5	Package characteristics	70
4.6.2	Power considerations	26	5.1	Package mechanical data	70
4.7	I/O pad electrical characteristics	27	5.1.1	100 LQFP	70
4.7.1	I/O pad types	27	5.1.2	64 LQFP	74
4.7.2	I/O input DC characteristics	27	6	Ordering information	77
4.7.3	I/O output DC characteristics	28	7	Document revision history	78
4.7.4	Output pin transition times	31			
4.7.5	I/O pad current specification	31			
4.8	RESET electrical characteristics	35			
4.9	Power management electrical characteristics	37			
4.9.1	Voltage regulator electrical characteristics	37			
4.9.2	Low voltage detector electrical characteristics	40			

# 1 Introduction

## 1.1 Document overview

This document describes the device features and highlights the important electrical and physical characteristics.

## 1.2 Description

These 32-bit automotive microcontrollers are a family of system-on-chip (SoC) devices designed to be central to the development of the next wave of central vehicle body controller, smart junction box, front module, peripheral body, door control and seat control applications.

This family is one of a series of next-generation integrated automotive microcontrollers based on the Power Architecture technology and designed specifically for embedded applications.

The advanced and cost-efficient e200z0h host processor core of this automotive controller family complies with the Power Architecture technology and only implements the VLE (variable-length encoding) APU (auxiliary processing unit), providing improved code density. It operates at speeds of up to 48 MHz and offers high performance processing optimized for low power consumption. It capitalizes on the available development infrastructure of current Power Architecture devices and is supported with software drivers, operating systems and configuration code to assist with the user's implementations.

The device platform has a single level of memory hierarchy and can support a wide range of on-chip static random access memory (SRAM) and internal flash memory.

**Table 1. MPC5602D device comparison**

Feature	Device			
	MPC5601DxLH	MPC5601DxLL	MPC5602DxLH	MPC5602DxLL
CPU	e200z0h			
Execution speed	Static – up to 48 MHz			
Code flash memory	128 KB		256 KB	
Data flash memory	64 KB (4 x 16 KB)			
SRAM	12 KB		16 KB	
eDMA	16 ch			
ADC (12-bit)	16 ch	33 ch	16 ch	33 ch
CTU	16 ch			
Total timer I/O <sup>1</sup> eMIOS	14 ch, 16-bit	28 ch, 16-bit	14 ch, 16-bit	28 ch, 16-bit
• Type X <sup>2</sup>	2 ch	5 ch	2 ch	5 ch
• Type Y <sup>3</sup>	—	9 ch	—	9 ch
• Type G <sup>4</sup>	7 ch	7 ch	7 ch	7 ch
• Type H <sup>5</sup>	4 ch	7 ch	4 ch	7 ch
SCI (LINFlex)	3			
SPI (DSPI)	2			
CAN (FlexCAN)	1			
GPIO <sup>6</sup>	45	79	45	79

**Table 1. MPC5602D device comparison (continued)**

Feature	Device			
	MPC5601DxLH	MPC5601DxLL	MPC5602DxLH	MPC5602DxLL
Debug	JTAG			
Package	64 LQFP	100 LQFP	64 LQFP	100 LQFP

<sup>1</sup> Refer to eMIOS chapter of device reference manual for information on the channel configuration and functions.

<sup>2</sup> Type X = MC + MCB + OPWMT + OPWMB + OPWFMB + SAIC + SAOC

<sup>3</sup> Type Y = OPWMT + OPWMB + SAIC + SAOC

<sup>4</sup> Type G = MCB + IPWM + IPM + DAOC + OPWMT + OPWMB + OPWFMB + OPWMCB + SAIC + SAOC

<sup>5</sup> Type H = IPWM + IPM + DAOC + OPWMT + OPWMB + SAIC + SAOC

<sup>6</sup> I/O count based on multiplexing with peripherals

## 2 Block diagram

Figure 1 shows a top-level block diagram of the MPC5602D device series.



Figure 1. MPC5602D series block diagram

Table 2 summarizes the functions of all blocks present in the MPC5602D series of microcontrollers. Please note that the presence and number of blocks varies by device and package.

**Table 2. MPC5602D series block summary**

Block	Function
Analog-to-digital converter (ADC)	Multi-channel, 12-bit analog-to-digital converter
Boot assist module (BAM)	A block of read-only memory containing VLE code which is executed according to the boot mode of the device
Clock generation module (MC_CGM)	Provides logic and control required for the generation of system and peripheral clocks
Clock monitor unit (CMU)	Monitors clock source (internal and external) integrity
Cross triggering unit (CTU)	Enables synchronization of ADC conversions with a timer event from the eMIOS or from the PIT
Crossbar switch (XBAR)	Supports simultaneous connections between two master ports and three slave ports. The crossbar supports a 32-bit address bus width and a 64-bit data bus width.
Deserial serial peripheral interface (DSPI)	Provides a synchronous serial interface for communication with external devices
Enhanced direct memory access (eDMA)	Performs complex data transfers with minimal intervention from a host processor via "n" programmable channels.
Enhanced modular input output system (eMIOS)	Provides the functionality to generate or measure events
Error correction status module (ECSM)	Provides a myriad of miscellaneous control functions for the device including program-visible information about configuration and revision levels, a reset status register, wakeup control for exiting sleep modes, and optional features such as information on memory errors reported by error-correcting codes
Flash memory	Provides non-volatile storage for program code, constants and variables
FlexCAN (controller area network)	Supports the standard CAN communications protocol
Frequency-modulated phase-locked loop (FMPLL)	Generates high-speed system clocks and supports programmable frequency modulation
Internal multiplexer (IMUX) SIU subblock	Allows flexible mapping of peripheral interface on the different pins of the device
Interrupt controller (INTC)	Provides priority-based preemptive scheduling of interrupt requests
JTAG controller (JTAGC)	Provides the means to test chip functionality and connectivity while remaining transparent to system logic when not in test mode
LINFlex controller	Manages a high number of LIN (Local Interconnect Network protocol) messages efficiently with a minimum of CPU load
Mode entry module (MC_ME)	Provides a mechanism for controlling the device operational mode and mode transition sequences in all functional states; also manages the power control unit, reset generation module and clock generation module, and holds the configuration, control and status registers accessible for applications
Non-maskable interrupt (NMI)	Handles external events that must produce an immediate response, such as power down detection
Periodic interrupt timer (PIT)	Produces periodic interrupts and triggers
Power control unit (MC_PCU)	Reduces the overall power consumption by disconnecting parts of the device from the power supply via a power switching device; device components are grouped into sections called "power domains" which are controlled by the PCU

**Table 2. MPC5602D series block summary (continued)**

Block	Function
Real-time counter (RTC)	Provides a free-running counter and interrupt generation capability that can be used for timekeeping applications
Reset generation module (MC_RGM)	Centralizes reset sources and manages the device reset sequence of the device
Static random-access memory (SRAM)	Provides storage for program code, constants, and variables
System integration unit lite (SIUL)	Provides control over all the electrical pad controls and up to 32 ports with 16 bits of bidirectional, general-purpose input and output signals and supports up to 32 external interrupts with trigger event configuration
System status and configuration module (SSCM)	Provides system configuration and status data (such as memory size and status, device mode and security status), device identification data, debug status port enable and selection, and bus and peripheral abort enable/disable
System timer module (STM)	Provides a set of output compare events to support AUTOSAR (Automotive Open System Architecture) and operating system tasks
Software watchdog timer (SWT)	Provides protection from runaway code
Wakeup unit (WKPU)	Supports up to 18 external sources that can generate interrupts or wakeup events, of which 1 can cause non-maskable interrupt requests or wakeup events.

## 3 Package pinouts and signal descriptions

### 3.1 Package pinouts

The available LQFP pinouts are provided in the following figures. For pin signal descriptions, please refer to [Table 5](#).

## Package pinouts and signal descriptions

Figure 2 shows the MPC5602D in the 100 LQFP package.

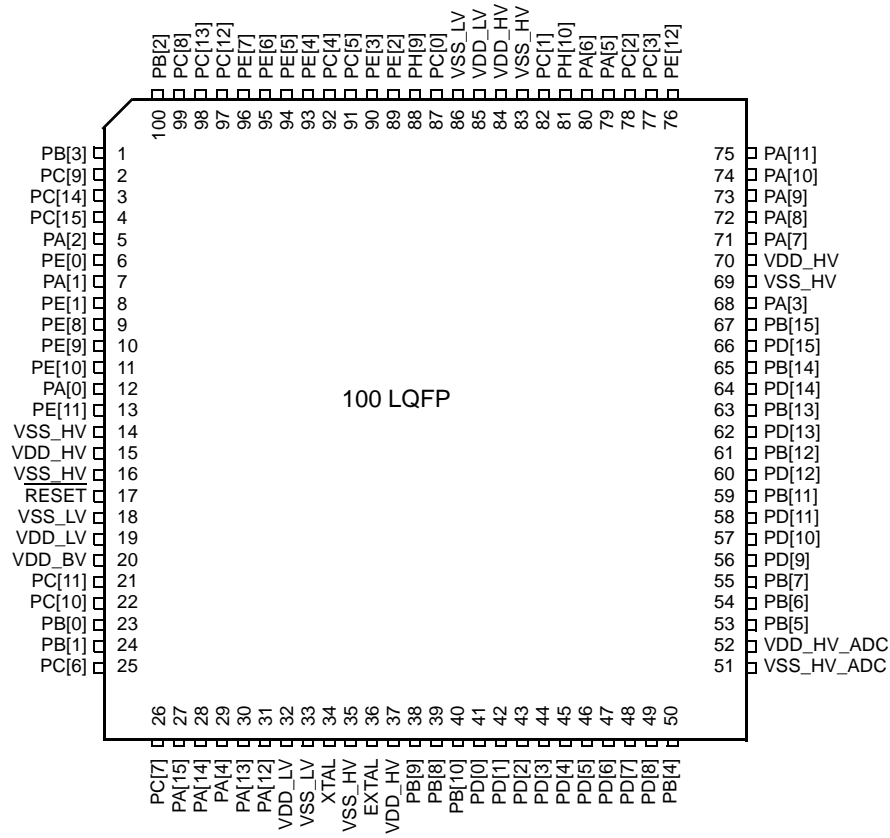


Figure 2. 100 LQFP pin configuration (top view)



Figure 3 shows the MPC5602D in the 64 LQFP package.

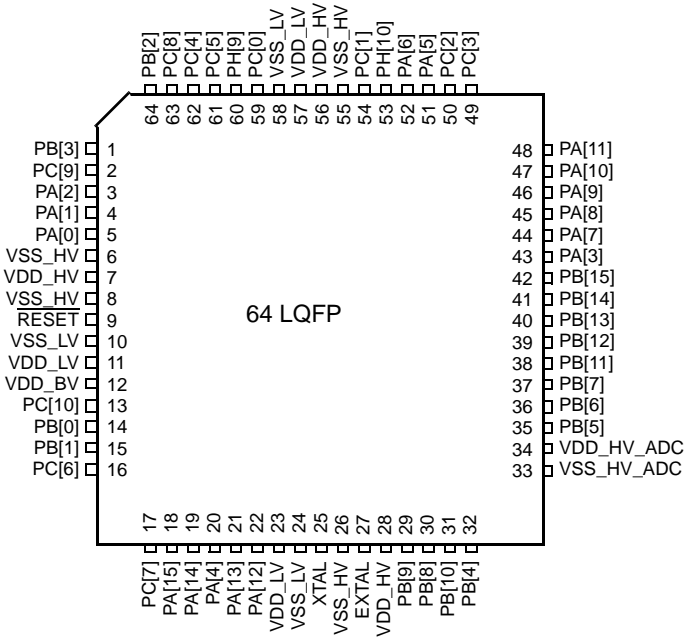


Figure 3. 64 LQFP pin configuration (top view)

### 3.2 Pad configuration during reset phases

All pads have a fixed configuration under reset.

During the power-up phase, all pads are forced to tristate.

After power-up phase, all pads are forced to tristate with the following exceptions:

- PA[9] (FAB) is pull-down. Without external strong pull-up the device starts fetching from flash.
- PA[8] (ABS[0]) is pull-up.
- RESET pad is driven low. This is pull-up only after PHASE2 reset completion.
- JTAG pads (TCK, TMS and TDI) are pull-up while TDO remains tristate.
- Precise ADC pads (PB[7:4] and PD[11:0]) are left tristate (no output buffer available).
- Main oscillator pads (EXTAL, XTAL) are tristate.

### 3.3 Voltage supply pins

Voltage supply pins are used to provide power to the device. Two dedicated pins are used for 1.2 V regulator stabilization.

**Table 3. Voltage supply pin descriptions**

Port pin	Function	Pin number	
		64 LQFP	100 LQFP
VDD_HV	Digital supply voltage	7, 28, 34, 56	15, 37, 52, 70, 84
VSS_HV	Digital ground	6, 8, 26, 33, 55	14, 16, 35, 51, 69, 83
VDD_LV	1.2V decoupling pins. Decoupling capacitor must be connected between these pins and the nearest V <sub>SS_LV</sub> pin. <sup>1</sup>	11, 23, 57	19, 32, 85
VSS_LV	1.2V decoupling pins. Decoupling capacitor must be connected between these pins and the nearest V <sub>DD_LV</sub> pin. <sup>1</sup>	10, 24, 58	18, 33, 86
VDD_BV	Internal regulator supply voltage	12	20

<sup>1</sup> A decoupling capacitor must be placed between each of the three VDD\_LV/VSS\_LV supply pairs to ensure stable voltage (see the recommended operating conditions in the device datasheet for details).

### 3.4 Pad types

In the device the following types of pads are available for system pins and functional port pins:

- S = Slow<sup>1</sup>
- M = Medium<sup>1 2</sup>
- F = Fast<sup>1 2</sup>
- I = Input only with analog feature<sup>1</sup>
- J = Input/Output ('S' pad) with analog feature
- X = Oscillator

### 3.5 System pins

The system pins are listed in [Table 4](#).

**Table 4. System pin descriptions**

Port pin	Function	I/O direction	Pad type	RESET configuration	Pin number	
					64 LQFP	100 LQFP
RESET	Bidirectional reset with Schmitt-Trigger characteristics and noise filter.	I/O	M	Input, weak pull-up only after PHASE2	9	17
EXTAL	Analog output of the oscillator amplifier circuit, when the oscillator is not in bypass mode. Analog input for the clock generator when the oscillator is in bypass mode. <sup>1</sup>	I/O	X	Tristate	27	36
XTAL	Analog input of the oscillator amplifier circuit. Needs to be grounded if oscillator is used in bypass mode. <sup>1</sup>	I	X	Tristate	25	34

<sup>1</sup> Refer to the relevant section of the device datasheet.

1. See the I/O pad electrical characteristics in the device datasheet for details.
2. All medium and fast pads are in slow configuration by default at reset and can be configured as fast or medium (see the PCR[SRC] description in the device reference manual).

## 3.6 Functional ports

The functional port pins are listed in [Table 5](#).

**Table 5. Functional port pin descriptions**

Port pin	PCR	Alternate function <sup>1</sup>	Function	Peripheral	I/O direction <sup>2</sup>	Pad type	RESET configuration	Pin number	
								64 LQFP	100 LQFP
<b>Port A</b>									
PA[0]	PCR[0]	AF0 AF1 AF2 AF3 —	GPIO[0] E0UC[0] CLKOUT E0UC[13] WKPU[19] <sup>3</sup>	SIUL eMIOS_0 CGL eMIOS_0 WKPU	I/O I/O O I/O I	M	Tristate	5	12
PA[1]	PCR[1]	AF0 AF1 AF2 AF3 — —	GPIO[1] E0UC[1] — — NMI <sup>4</sup> WKPU[2] <sup>3</sup>	SIUL eMIOS_0 — — WKPU WKPU	I/O I/O — — I I	S	Tristate	4	7
PA[2]	PCR[2]	AF0 AF1 AF2 AF3 —	GPIO[2] E0UC[2] — MA[2] WKPU[3] <sup>3</sup>	SIUL eMIOS_0 — ADC WKPU	I/O I/O — O I	S	Tristate	3	5
PA[3]	PCR[3]	AF0 AF1 AF2 AF3 — —	GPIO[3] E0UC[3] — CS4_0 EIRQ[0] ADC1_S[0]	SIUL eMIOS_0 — DSPI_0 SIUL ADC	I/O I/O — I/O I I	S	Tristate	43	68
PA[4]	PCR[4]	AF0 AF1 AF2 AF3 —	GPIO[4] E0UC[4] — CS0_1 WKPU[9] <sup>3</sup>	SIUL eMIOS_0 — DSPI_1 WKPU	I/O I/O — I/O I	S	Tristate	20	29
PA[5]	PCR[5]	AF0 AF1 AF2 AF3	GPIO[5] E0UC[5] — —	SIUL eMIOS_0 — —	I/O I/O — —	M	Tristate	51	79
PA[6]	PCR[6]	AF0 AF1 AF2 AF3 —	GPIO[6] E0UC[6] — CS1_1 EIRQ[1]	SIUL eMIOS_0 — DSPI_1 SIUL	I/O I/O — I/O I	S	Tristate	52	80

**Table 5. Functional port pin descriptions (continued)**

Port pin	PCR	Alternate function <sup>1</sup>	Function	Peripheral	I/O direction <sup>2</sup>	Pad type	RESET configuration	Pin number	
								64 LQFP	100 LQFP
PA[7]	PCR[7]	AF0 AF1 AF2 AF3 — —	GPIO[7] E0UC[7] — — EIRQ[2] ADC1_S[1]	SIUL eMIOS_0 — — SIUL ADC	I/O I/O — — I I	S	Tristate	44	71
PA[8]	PCR[8]	AF0 AF1 AF2 AF3 — N/A <sup>5</sup>	GPIO[8] E0UC[8] E0UC[14] — EIRQ[3] ABS[0]	SIUL eMIOS_0 eMIOS_0 — SIUL BAM	I/O I/O — — I I	S	Input, weak pull-up	45	72
PA[9]	PCR[9]	AF0 AF1 AF2 AF3 N/A <sup>5</sup>	GPIO[9] E0UC[9] — CS2_1 FAB	SIUL eMIOS_0 — DSPI_1 BAM	I/O I/O — I/O I	S	Pull-down	46	73
PA[10]	PCR[10]	AF0 AF1 AF2 AF3 —	GPIO[10] E0UC[10] — LIN2TX ADC1_S[2]	SIUL eMIOS_0 — LINFlex_2 ADC	I/O I/O — O I	S	Tristate	47	74
PA[11]	PCR[11]	AF0 AF1 AF2 AF3 — — —	GPIO[11] E0UC[11] — — EIRQ[16] ADC1_S[3] LIN2RX	SIUL eMIOS_0 — — SIUL ADC LINFlex_2	I/O I/O — — I I I	S	Tristate	48	75
PA[12]	PCR[12]	AF0 AF1 AF2 AF3 — —	GPIO[12] — — — EIRQ[17] SIN_0	SIUL — — — SIUL DSPI_0	I/O — — — I I	S	Tristate	22	31
PA[13]	PCR[13]	AF0 AF1 AF2 AF3	GPIO[13] SOUT_0 — CS3_1	SIUL DSPI_0 — DSPI_1	I/O O — I/O	M	Tristate	21	30
PA[14]	PCR[14]	AF0 AF1 AF2 AF3 —	GPIO[14] SCK_0 CS0_0 E0UC[0] EIRQ[4]	SIUL DSPI_0 DSPI_0 eMIOS_0 SIUL	I/O I/O I/O I/O I	M	Tristate	19	28

Table 5. Functional port pin descriptions (continued)

Port pin	PCR	Alternate function <sup>1</sup>	Function	Peripheral	I/O direction <sup>2</sup>	Pad type	RESET configuration	Pin number	
								64 LQFP	100 LQFP
PA[15]	PCR[15]	AF0 AF1 AF2 AF3 —	GPIO[15] CS0_0 SCK_0 E0UC[1] WKPU[10] <sup>3</sup>	SIUL DSPI_0 DSPI_0 eMIOS_0 WKPU	I/O I/O I/O I/O I	M	Tristate	18	27
<b>Port B</b>									
PB[0]	PCR[16]	AF0 AF1 AF2 AF3	GPIO[16] CAN0TX — LIN2TX	SIUL FlexCAN_0 — LINFlex_2	I/O O — O	M	Tristate	14	23
PB[1]	PCR[17]	AF0 AF1 AF2 AF3 — —	GPIO[17] — — LIN0RX WKPU[4] <sup>3</sup> CAN0RX	SIUL — — LINFlex_0 WKPU FlexCAN_0	I/O — — I I I	S	Tristate	15	24
PB[2]	PCR[18]	AF0 AF1 AF2 AF3	GPIO[18] LIN0TX — —	SIUL LINFlex_0 — —	I/O O — —	M	Tristate	64	100
PB[3]	PCR[19]	AF0 AF1 AF2 AF3 — —	GPIO[19] — — — WKPU[11] <sup>3</sup> LIN0RX	SIUL — — — WKPU LINFlex_0	I/O — — — I I	S	Tristate	1	1
PB[4]	PCR[20]	AF0 AF1 AF2 AF3 —	GPIO[20] — — — ADC1_P[0]	SIUL — — — ADC	I — — — I	I	Tristate	32	50
PB[5]	PCR[21]	AF0 AF1 AF2 AF3 —	GPIO[21] — — — ADC1_P[1]	SIUL — — — ADC	I — — — I	I	Tristate	35	53
PB[6]	PCR[22]	AF0 AF1 AF2 AF3 —	GPIO[22] — — — ADC1_P[2]	SIUL — — — ADC	I — — — I	I	Tristate	36	54

Table 5. Functional port pin descriptions (continued)

Port pin	PCR	Alternate function <sup>1</sup>	Function	Peripheral	I/O direction <sup>2</sup>	Pad type	RESET configuration	Pin number	
								64 LQFP	100 LQFP
PB[7]	PCR[23]	AF0 AF1 AF2 AF3 —	GPIO[23] — — — ADC1_P[3]	SIUL — — — ADC	I — — — I	I	Tristate	37	55
PB[8]	PCR[24]	AF0 AF1 AF2 AF3 — —	GPIO[24] — — — ADC1_S[4] WKPU[25] <sup>3</sup>	SIUL — — — ADC WKPU	I — — — I I	I	Tristate	30	39
PB[9]	PCR[25]	AF0 AF1 AF2 AF3 — —	GPIO[25] — — — ADC1_S[5] WKPU[26] <sup>3</sup>	SIUL — — — ADC WKPU	I — — — I I	I	Tristate	29	38
PB[10]	PCR[26]	AF0 AF1 AF2 AF3 — —	GPIO[26] — — — ADC1_S[6] WKPU[8] <sup>3</sup>	SIUL — — — ADC WKPU	I/O — — — I I	J	Tristate	31	40
PB[11]	PCR[27]	AF0 AF1 AF2 AF3 —	GPIO[27] E0UC[3] — CS0_0 ADC1_S[12]	SIUL eMIOS_0 — DSPI_0 ADC	I/O I/O — I/O I	J	Tristate	38	59
PB[12]	PCR[28]	AF0 AF1 AF2 AF3 —	GPIO[28] E0UC[4] — CS1_0 ADC1_X[0]	SIUL eMIOS_0 — DSPI_0 ADC	I/O I/O — O I	J	Tristate	39	61
PB[13]	PCR[29]	AF0 AF1 AF2 AF3 —	GPIO[29] E0UC[5] — CS2_0 ADC1_X[1]	SIUL eMIOS_0 — DSPI_0 ADC	I/O I/O — O I	J	Tristate	40	63
PB[14]	PCR[30]	AF0 AF1 AF2 AF3 —	GPIO[30] E0UC[6] — CS3_0 ADC1_X[2]	SIUL eMIOS_0 — DSPI_0 ADC	I/O I/O — O I	J	Tristate	41	65

Table 5. Functional port pin descriptions (continued)

Port pin	PCR	Alternate function <sup>1</sup>	Function	Peripheral	I/O direction <sup>2</sup>	Pad type	RESET configuration	Pin number	
								64 LQFP	100 LQFP
PB[15]	PCR[31]	AF0 AF1 AF2 AF3 —	GPIO[31] E0UC[7] — CS4_0 ADC1_X[3]	SIUL eMIOS_0 — DSPI_0 ADC	I/O I/O — O I	J	Tristate	42	67
<b>Port C</b>									
PC[0] <sup>6</sup>	PCR[32]	AF0 AF1 AF2 AF3	GPIO[32] — TDI —	SIUL — JTAGC —	I/O — I —	M	Input, weak pull-up	59	87
PC[1] <sup>6</sup>	PCR[33]	AF0 AF1 AF2 AF3	GPIO[33] — TDO —	SIUL — JTAGC —	I/O — O —	F	Tristate	54	82
PC[2]	PCR[34]	AF0 AF1 AF2 AF3 —	GPIO[34] SCK_1 — — EIRQ[5]	SIUL DSPI_1 — — SIUL	I/O I/O — — I	M	Tristate	50	78
PC[3]	PCR[35]	AF0 AF1 AF2 AF3 —	GPIO[35] CS0_1 MA[0] — EIRQ[6]	SIUL DSPI_1 ADC — SIUL	I/O I/O O — I	S	Tristate	49	77
PC[4]	PCR[36]	AF0 AF1 AF2 AF3 — —	GPIO[36] — — — SIN_1 EIRQ[18]	SIUL — — — DSPI_1 SIUL	I/O — — — I I	M	Tristate	62	92
PC[5]	PCR[37]	AF0 AF1 AF2 AF3 —	GPIO[37] SOUT_1 — — EIRQ[7]	SIUL DSPI_1 — — SIUL	I/O O — — I	M	Tristate	61	91
PC[6]	PCR[38]	AF0 AF1 AF2 AF3	GPIO[38] LIN1TX — —	SIUL LINFlex_1 — —	I/O O — —	S	Tristate	16	25

**Table 5. Functional port pin descriptions (continued)**

Port pin	PCR	Alternate function <sup>1</sup>	Function	Peripheral	I/O direction <sup>2</sup>	Pad type	RESET configuration	Pin number	
								64 LQFP	100 LQFP
PC[7]	PCR[39]	AF0 AF1 AF2 AF3 — —	GPIO[39] — — — LIN1RX WKPU[12] <sup>3</sup>	SIUL — — — LINFlex_1 WKPU	I/O — — — I I	S	Tristate	17	26
PC[8]	PCR[40]	AF0 AF1 AF2 AF3	GPIO[40] LIN2TX E0UC[3] —	SIUL LINFlex_2 eMIOS_0 —	I/O O I/O —	S	Tristate	63	99
PC[9]	PCR[41]	AF0 AF1 AF2 AF3 — —	GPIO[41] — E0UC[7] — LIN2RX WKPU[13] <sup>3</sup>	SIUL — eMIOS_0 — LINFlex_2 WKPU	I/O — I/O — I I	S	Tristate	2	2
PC[10]	PCR[42]	AF0 AF1 AF2 AF3	GPIO[42] — — MA[1]	SIUL — — ADC	I/O — — O	M	Tristate	13	22
PC[11]	PCR[43]	AF0 AF1 AF2 AF3 —	GPIO[43] — — MA[2] WKPU[5] <sup>3</sup>	SIUL — — ADC WKPU	I/O — — O I	S	Tristate	—	21
PC[12]	PCR[44]	AF0 AF1 AF2 AF3 —	GPIO[44] E0UC[12] — — EIRQ[19]	SIUL eMIOS_0 — — SIUL	I/O I/O — — I	M	Tristate	—	97
PC[13]	PCR[45]	AF0 AF1 AF2 AF3	GPIO[45] E0UC[13] — —	SIUL eMIOS_0 — —	I/O I/O — —	S	Tristate	—	98
PC[14]	PCR[46]	AF0 AF1 AF2 AF3 —	GPIO[46] E0UC[14] — — EIRQ[8]	SIUL eMIOS_0 — — SIUL	I/O I/O — — I	S	Tristate	—	3
PC[15]	PCR[47]	AF0 AF1 AF2 AF3 —	GPIO[47] E0UC[15] — — EIRQ[20]	SIUL eMIOS_0 — — SIUL	I/O I/O — — I	M	Tristate	—	4



Table 5. Functional port pin descriptions (continued)

Port pin	PCR	Alternate function <sup>1</sup>	Function	Peripheral	I/O direction <sup>2</sup>	Pad type	RESET configuration	Pin number	
								64 LQFP	100 LQFP
<b>Port D</b>									
PD[0]	PCR[48]	AF0 AF1 AF2 AF3 — —	GPIO[48] — — — — WKPU[27] <sup>3</sup> ADC1_P[4]	SIUL — — — — WKPU ADC	 — — — —   		Tristate	—	41
PD[1]	PCR[49]	AF0 AF1 AF2 AF3 — —	GPIO[49] — — — — WKPU[28] <sup>3</sup> ADC1_P[5]	SIUL — — — — WKPU ADC	 — — — —   		Tristate	—	42
PD[2]	PCR[50]	AF0 AF1 AF2 AF3 —	GPIO[50] — — — — ADC1_P[6]	SIUL — — — — ADC	 — — — — 		Tristate	—	43
PD[3]	PCR[51]	AF0 AF1 AF2 AF3 —	GPIO[51] — — — — ADC1_P[7]	SIUL — — — — ADC	 — — — — 		Tristate	—	44
PD[4]	PCR[52]	AF0 AF1 AF2 AF3 —	GPIO[52] — — — — ADC1_P[8]	SIUL — — — — ADC	 — — — — 		Tristate	—	45
PD[5]	PCR[53]	AF0 AF1 AF2 AF3 —	GPIO[53] — — — — ADC1_P[9]	SIUL — — — — ADC	 — — — — 		Tristate	—	46
PD[6]	PCR[54]	AF0 AF1 AF2 AF3 —	GPIO[54] — — — — ADC1_P[10]	SIUL — — — — ADC	 — — — — 		Tristate	—	47
PD[7]	PCR[55]	AF0 AF1 AF2 AF3 —	GPIO[55] — — — — ADC1_P[11]	SIUL — — — — ADC	 — — — — 		Tristate	—	48

**Table 5. Functional port pin descriptions (continued)**

Port pin	PCR	Alternate function <sup>1</sup>	Function	Peripheral	I/O direction <sup>2</sup>	Pad type	RESET configuration	Pin number	
								64 LQFP	100 LQFP
PD[8]	PCR[56]	AF0 AF1 AF2 AF3 —	GPIO[56] — — — ADC1_P[12]	SIUL — — — ADC	I — — — I	I	Tristate	—	49
PD[9]	PCR[57]	AF0 AF1 AF2 AF3 —	GPIO[57] — — — ADC1_P[13]	SIUL — — — ADC	I — — — I	I	Tristate	—	56
PD[10]	PCR[58]	AF0 AF1 AF2 AF3 —	GPIO[58] — — — ADC1_P[14]	SIUL — — — ADC	I — — — I	I	Tristate	—	57
PD[11]	PCR[59]	AF0 AF1 AF2 AF3 —	GPIO[59] — — — ADC1_P[15]	SIUL — — — ADC	I — — — I	I	Tristate	—	58
PD[12]	PCR[60]	AF0 AF1 AF2 AF3 —	GPIO[60] CS5_0 E0UC[24] — ADC1_S[8]	SIUL DSPI_0 eMIOS_0 — ADC	I/O O I/O — I	J	Tristate	—	60
PD[13]	PCR[61]	AF0 AF1 AF2 AF3 —	GPIO[61] CS0_1 E0UC[25] — ADC1_S[9]	SIUL DSPI_1 eMIOS_0 — ADC	I/O I/O I/O — I	J	Tristate	—	62
PD[14]	PCR[62]	AF0 AF1 AF2 AF3 —	GPIO[62] CS1_1 E0UC[26] — ADC1_S[10]	SIUL DSPI_1 eMIOS_0 — ADC	I/O O I/O — I	J	Tristate	—	64
PD[15]	PCR[63]	AF0 AF1 AF2 AF3 —	GPIO[63] CS2_1 E0UC[27] — ADC1_S[11]	SIUL DSPI_1 eMIOS_0 — ADC	I/O O I/O — I	J	Tristate	—	66
<b>Port E</b>									

Table 5. Functional port pin descriptions (continued)

Port pin	PCR	Alternate function <sup>1</sup>	Function	Peripheral	I/O direction <sup>2</sup>	Pad type	RESET configuration	Pin number	
								64 LQFP	100 LQFP
PE[0]	PCR[64]	AF0 AF1 AF2 AF3 —	GPIO[64] E0UC[16] — — WKPU[6] <sup>3</sup>	SIUL eMIOS_0 — — WKPU	I/O I/O — — I	S	Tristate	—	6
PE[1]	PCR[65]	AF0 AF1 AF2 AF3	GPIO[65] E0UC[17] — —	SIUL eMIOS_0 — —	I/O I/O — —	M	Tristate	—	8
PE[2]	PCR[66]	AF0 AF1 AF2 AF3 — —	GPIO[66] E0UC[18] — — — EIRQ[21] SIN_1	SIUL eMIOS_0 — — — SIUL DSPI_1	I/O I/O — — — I I	M	Tristate	—	89
PE[3]	PCR[67]	AF0 AF1 AF2 AF3	GPIO[67] E0UC[19] SOUT_1 —	SIUL eMIOS_0 DSPI_1 —	I/O I/O O —	M	Tristate	—	90
PE[4]	PCR[68]	AF0 AF1 AF2 AF3 —	GPIO[68] E0UC[20] SCK_1 — EIRQ[9]	SIUL eMIOS_0 DSPI_1 — SIUL	I/O I/O I/O — I	M	Tristate	—	93
PE[5]	PCR[69]	AF0 AF1 AF2 AF3	GPIO[69] E0UC[21] CS0_1 MA[2]	SIUL eMIOS_0 DSPI_1 ADC	I/O I/O I/O O	M	Tristate	—	94
PE[6]	PCR[70]	AF0 AF1 AF2 AF3 —	GPIO[70] E0UC[22] CS3_0 MA[1] EIRQ[22]	SIUL eMIOS_0 DSPI_0 ADC SIUL	I/O I/O O O O I	M	Tristate	—	95
PE[7]	PCR[71]	AF0 AF1 AF2 AF3 —	GPIO[71] E0UC[23] CS2_0 MA[0] EIRQ[23]	SIUL eMIOS_0 DSPI_0 ADC SIUL	I/O I/O O O O I	M	Tristate	—	96
PE[8]	PCR[72]	AF0 AF1 AF2 AF3	GPIO[72] — E0UC[22] —	SIUL — eMIOS_0 —	I/O — I/O —	M	Tristate	—	9

**Table 5. Functional port pin descriptions (continued)**

Port pin	PCR	Alternate function <sup>1</sup>	Function	Peripheral	I/O direction <sup>2</sup>	Pad type	RESET configuration	Pin number	
								64 LQFP	100 LQFP
PE[9]	PCR[73]	AF0 AF1 AF2 AF3 —	GPIO[73] — E0UC[23] — WKPU[7] <sup>3</sup>	SIUL — eMIOS_0 — WKPU	I/O — I/O — I	S	Tristate	—	10
PE[10]	PCR[74]	AF0 AF1 AF2 AF3 —	GPIO[74] — CS3_1 — EIRQ[10]	SIUL — DSPI_1 — SIUL	I/O — O — I	S	Tristate	—	11
PE[11]	PCR[75]	AF0 AF1 AF2 AF3 —	GPIO[75] E0UC[24] CS4_1 — WKPU[14] <sup>3</sup>	SIUL eMIOS_0 DSPI_1 — WKPU	I/O I/O O — I	S	Tristate	—	13
PE[12]	PCR[76]	AF0 AF1 AF2 AF3 — —	GPIO[76] — — — ADC1_S[7] EIRQ[11]	SIUL — — — ADC SIUL	I/O — — — I I	S	Tristate	—	76
<b>Port H</b>									
PH[9] <sup>6</sup>	PCR[121]	AF0 AF1 AF2 AF3	GPIO[121] — TCK —	SIUL — JTAGC —	I/O — I —	S	Input, weak pull-up	60	88
PH[10] <sup>6</sup>	PCR[122]	AF0 AF1 AF2 AF3	GPIO[122] — TMS —	SIUL — JTAGC —	I/O — I —	S	Input, weak pull-up	53	81

<sup>1</sup> Alternate functions are chosen by setting the values of the PCR.PA bitfields inside the SIUL module. PCR.PA = 00 → AF0; PCR.PA = 01 → AF1; PCR.PA = 10 → AF2; PCR.PA = 11 → AF3. This is intended to select the output functions; to use one of the input functions, the PCR.IBE bit must be written to '1', regardless of the values selected in the PCR.PA bitfields. For this reason, the value corresponding to an input only function is reported as "—".

<sup>2</sup> Multiple inputs are routed to all respective modules internally. The input of some modules must be configured by setting the values of the PSMIO.PADSELx bitfields inside the SIUL module.

<sup>3</sup> All WKPU pins also support external interrupt capability. See "wakeup unit" chapter of the device reference manual for further details.

<sup>4</sup> NMI has higher priority than alternate function. When NMI is selected, the PCR.AF field is ignored.

<sup>5</sup> "Not applicable" because these functions are available only while the device is booting. Refer to "BAM" chapter of the device reference manual for details.

- <sup>6</sup> Out of reset all the functional pins except PC[0:1] and PH[9:10] are available to the user as GPIO. PC[0:1] are available as JTAG pins (TDI and TDO respectively). PH[9:10] are available as JTAG pins (TCK and TMS respectively). If the user configures these JTAG pins in GPIO mode the device is no longer compliant with IEEE 1149.1 2001.

## 4 Electrical characteristics

### 4.1 Introduction

This section contains electrical characteristics of the device as well as temperature and power considerations.

This product contains devices to protect the inputs against damage due to high static voltages. However, it is advisable to take precautions to avoid application of any voltage higher than the specified maximum rated voltages.

To enhance reliability, unused inputs can be driven to an appropriate logic voltage level ( $V_{DD}$  or  $V_{SS}$ ). This can be done by the internal pull-up or pull-down, which is provided by the product for most general purpose pins.

The parameters listed in the following tables represent the characteristics of the device and its demands on the system.

In the tables where the device logic provides signals with their respective timing characteristics, the symbol “CC” for Controller Characteristics is included in the Symbol column.

In the tables where the external system must provide signals with their respective timing characteristics to the device, the symbol “SR” for System Requirement is included in the Symbol column.

### 4.2 Parameter classification

The electrical parameters shown in this supplement are guaranteed by various methods. To give the customer a better understanding, the classifications listed in [Table 6](#) are used and the parameters are tagged accordingly in the tables where appropriate.

**Table 6. Parameter classifications**

Classification tag	Tag description
P	Those parameters are guaranteed during production testing on each individual device.
C	Those parameters are achieved by the design characterization by measuring a statistically relevant sample size across process variations.
T	Those parameters are achieved by design characterization on a small sample size from typical devices under typical conditions unless otherwise noted. All values shown in the typical column are within this category.
D	Those parameters are derived mainly from simulations.

#### NOTE

The classification is shown in the column labeled “C” in the parameter tables where appropriate.

### 4.3 NVUSRO register

Bit values in the Non-Volatile User Options (NVUSRO) Register control portions of the device configuration, namely electrical parameters such as high voltage supply and oscillator margin, as well as digital functionality (watchdog enable/disable after reset).

For a detailed description of the NVUSRO register, please refer to the device reference manual.

## Electrical characteristics

### 4.3.1 NVUSRO[PAD3V5V] field description

The DC electrical characteristics are dependent on the PAD3V5V bit value. [Table 7](#) shows how NVUSRO[PAD3V5V] controls the device configuration.

**Table 7. PAD3V5V field description**

Value <sup>1</sup>	Description
0	High voltage supply is 5.0 V
1	High voltage supply is 3.3 V

<sup>1</sup> Default manufacturing value is '1'. Value can be programmed by customer in Shadow Flash.

### 4.3.2 NVUSRO[OSCILLATOR\_MARGIN] field description

The fast external crystal oscillator consumption is dependent on the OSCILLATOR\_MARGIN bit value. [Table 8](#) shows how NVUSRO[OSCILLATOR\_MARGIN] controls the device configuration.

**Table 8. OSCILLATOR\_MARGIN field description**

Value <sup>1</sup>	Description
0	Low consumption configuration (4 MHz/8 MHz)
1	High margin configuration (4 MHz/16 MHz)

<sup>1</sup> Default manufacturing value is '1'. Value can be programmed by customer in Shadow Flash.

### 4.3.3 NVUSRO[WATCHDOG\_EN] field description

The watchdog enable/disable configuration after reset is dependent on the WATCHDOG\_EN bit value. [Table 8](#) shows how NVUSRO[WATCHDOG\_EN] controls the device configuration.

**Table 9. WATCHDOG\_EN field description**

Value <sup>1</sup>	Description
0	Disable after reset
1	Enable after reset

<sup>1</sup> Default manufacturing value is '1'. Value can be programmed by customer in Shadow Flash.

## 4.4 Absolute maximum ratings

**Table 10. Absolute maximum ratings**

Symbol		Parameter	Conditions	Value		Unit
				Min	Max	
V <sub>SS</sub>	SR	Digital ground on VSS_HV pins	—	0	0	V
V <sub>DD</sub>	SR	Voltage on VDD_HV pins with respect to ground (V <sub>SS</sub> )	—	-0.3	6.0	V
V <sub>SS_LV</sub>	SR	Voltage on VSS_LV (low voltage digital supply) pins with respect to ground (V <sub>SS</sub> )	—	V <sub>SS</sub> - 0.1	V <sub>SS</sub> + 0.1	V

**Table 10. Absolute maximum ratings (continued)**

Symbol		Parameter	Conditions	Value		Unit
				Min	Max	
V <sub>DD_BV</sub>	SR	Voltage on VDD_BV (regulator supply) pin with respect to ground (V <sub>SS</sub> )	—	-0.3	6.0	V
			Relative to V <sub>DD</sub>	V <sub>DD</sub> - 0.3	V <sub>DD</sub> + 0.3	
V <sub>SS_ADC</sub>	SR	Voltage on VSS_HV_ADC (ADC reference) pin with respect to ground (V <sub>SS</sub> )	—	V <sub>SS</sub> - 0.1	V <sub>SS</sub> + 0.1	V
V <sub>DD_ADC</sub>	SR	Voltage on VDD_HV_ADC (ADC reference) pin with respect to ground (V <sub>SS</sub> )	—	-0.3	6.0	V
			Relative to V <sub>DD</sub>	V <sub>DD</sub> - 0.3	V <sub>DD</sub> + 0.3	
V <sub>IN</sub>	SR	Voltage on any GPIO pin with respect to ground (V <sub>SS</sub> )	—	-0.3	6.0	V
			Relative to V <sub>DD</sub>	V <sub>DD</sub> - 0.3	V <sub>DD</sub> + 0.3	
I <sub>INJPAD</sub>	SR	Injected input current on any pin during overload condition	—	-10	10	mA
I <sub>INJSUM</sub>	SR	Absolute sum of all injected input currents during overload condition	—	-50	50	mA
I <sub>AVGSEG</sub>	SR	Sum of all the static I/O current within a supply segment <sup>1</sup>	V <sub>DD</sub> = 5.0 V ± 10%, PAD3V5V = 0	—	70	mA
			V <sub>DD</sub> = 3.3 V ± 10%, PAD3V5V = 1	—	64	
I <sub>CORELV</sub>	SR	Low voltage static current sink through VDD_BV	—	—	150	mA
T <sub>STORAGE</sub>	SR	Storage temperature	—	-55	150	°C

<sup>1</sup> Supply segments are described in [Section 4.7.5, I/O pad current specification](#).

### NOTE

Stresses exceeding the recommended absolute maximum ratings may cause permanent damage to the device. This is a stress rating only and functional operation of the device at these or any other conditions above those indicated in the operational sections of this specification are not implied. Exposure to absolute maximum rating conditions for extended periods may affect device reliability. During overload conditions ( $V_{IN} > V_{DD}$  or  $V_{IN} < V_{SS}$ ), the voltage on pins with respect to ground (V<sub>SS</sub>) must not exceed the recommended values.

## 4.5 Recommended operating conditions

**Table 11. Recommended operating conditions (3.3 V)**

Symbol		C	Parameter	Conditions	Value		Unit
					Min	Max	
V <sub>SS</sub>	SR	—	Digital ground on VSS_HV pins	—	0	0	V
V <sub>DD</sub> <sup>1</sup>	SR	—	Voltage on VDD_HV pins with respect to ground (V <sub>SS</sub> )	—	3.0	3.6	V
V <sub>SS_LV</sub> <sup>2</sup>	SR	—	Voltage on VSS_LV (low voltage digital supply) pins with respect to ground (V <sub>SS</sub> )	—	V <sub>SS</sub> - 0.1	V <sub>SS</sub> + 0.1	V

**Table 11. Recommended operating conditions (3.3 V) (continued)**

Symbol	C	Parameter	Conditions	Value		Unit
				Min	Max	
$V_{DD\_BV}$ <sup>3</sup>	SR	Voltage on VDD_BV pin (regulator supply) with respect to ground ( $V_{SS}$ )	—	3.0	3.6	V
			Relative to $V_{DD}$	$V_{DD} - 0.1$	$V_{DD} + 0.1$	
$V_{SS\_ADC}$	SR	Voltage on VSS_HV_ADC (ADC reference) pin with respect to ground ( $V_{SS}$ )	—	$V_{SS} - 0.1$	$V_{SS} + 0.1$	V
$V_{DD\_ADC}$ <sup>4</sup>	SR	Voltage on VDD_HV_ADC pin (ADC reference) with respect to ground ( $V_{SS}$ )	—	3.0 <sup>5</sup>	3.6	V
			Relative to $V_{DD}$	$V_{DD} - 0.1$	$V_{DD} + 0.1$	
$V_{IN}$	SR	Voltage on any GPIO pin with respect to ground ( $V_{SS}$ )	—	$V_{SS} - 0.1$	—	V
			Relative to $V_{DD}$	—	$V_{DD} + 0.1$	
$I_{INJPAD}$	SR	Injected input current on any pin during overload condition	—	-5	5	mA
$I_{INJSUM}$	SR	Absolute sum of all injected input currents during overload condition	—	-50	50	mA
$TV_{DD}$	SR	$V_{DD}$ slope to ensure correct power up <sup>6</sup>	—	—	0.25	V/ $\mu$ s
$T_{A\ C-Grade\ Part}$	SR	Ambient temperature under bias	$f_{CPU} \leq 48\text{ MHz}$	-40	85	°C
$T_{J\ C-Grade\ Part}$	SR	Junction temperature under bias		-40	110	
$T_{A\ V-Grade\ Part}$	SR	Ambient temperature under bias		-40	105	
$T_{J\ V-Grade\ Part}$	SR	Junction temperature under bias		-40	130	
$T_{A\ M-Grade\ Part}$	SR	Ambient temperature under bias		-40	125	
$T_{J\ M-Grade\ Part}$	SR	Junction temperature under bias		-40	150	

<sup>1</sup> 100 nF capacitance needs to be provided between each  $V_{DD}/V_{SS}$  pair.

<sup>2</sup> 330 nF capacitance needs to be provided between each  $V_{DD\_LV}/V_{SS\_LV}$  supply pair.

<sup>3</sup> 470 nF capacitance needs to be provided between  $V_{DD\_BV}$  and the nearest  $V_{SS\_LV}$  (higher value may be needed depending on external regulator characteristics).

<sup>4</sup> 100 nF capacitance needs to be provided between  $V_{DD\_ADC}/V_{SS\_ADC}$  pair.

<sup>5</sup> Full electrical specification cannot be guaranteed when voltage drops below 3.0 V. In particular, ADC electrical characteristics and I/Os DC electrical specification may not be guaranteed. When voltage drops below  $V_{LVDHVL}$ , device is reset.

<sup>6</sup> Guaranteed by device validation

**Table 12. Recommended operating conditions (5.0 V)**

Symbol	C	Parameter	Conditions	Value		Unit
				Min	Max	
$V_{SS}$	SR	Digital ground on VSS_HV pins	—	0	0	V



**Table 12. Recommended operating conditions (5.0 V) (continued)**

Symbol	C	Parameter	Conditions	Value		Unit
				Min	Max	
$V_{DD}^1$	SR	Voltage on VDD_HV pins with respect to ground ( $V_{SS}$ )	—	4.5	5.5	V
			Voltage drop <sup>2</sup>	3.0	5.5	
$V_{SS\_LV}^3$	SR	Voltage on VSS_LV (low voltage digital supply) pins with respect to ground ( $V_{SS}$ )	—	$V_{SS} - 0.1$	$V_{SS} + 0.1$	V
$V_{DD\_BV}^4$	SR	Voltage on VDD_BV pin (regulator supply) with respect to ground ( $V_{SS}$ )	—	4.5	5.5	V
			Voltage drop <sup>(2)</sup>	3.0	5.5	
			Relative to $V_{DD}$	$V_{DD} - 0.1$	$V_{DD} + 0.1$	
$V_{SS\_ADC}$	SR	Voltage on VSS_HV_ADC (ADC reference) pin with respect to ground ( $V_{SS}$ )	—	$V_{SS} - 0.1$	$V_{SS} + 0.1$	V
$V_{DD\_ADC}^5$	SR	Voltage on VDD_HV_ADC pin (ADC reference) with respect to ground ( $V_{SS}$ )	—	4.5	5.5	V
			Voltage drop <sup>(2)</sup>	3.0	5.5	
			Relative to $V_{DD}$	$V_{DD} - 0.1$	$V_{DD} + 0.1$	
$V_{IN}$	SR	Voltage on any GPIO pin with respect to ground ( $V_{SS}$ )	—	$V_{SS} - 0.1$	—	V
			Relative to $V_{DD}$	—	$V_{DD} + 0.1$	
$I_{INJPAD}$	SR	Injected input current on any pin during overload condition	—	-5	5	mA
$I_{INJSUM}$	SR	Absolute sum of all injected input currents during overload condition	—	-50	50	mA
$TV_{DD}$	SR	$V_{DD}$ slope to ensure correct power up <sup>6</sup>	—	—	0.25	V/ $\mu$ s
$T_{A\ C-Grade\ Part}$	SR	Ambient temperature under bias	$f_{CPU} \leq 48\text{ MHz}$	-40	85	$^{\circ}\text{C}$
$T_{J\ C-Grade\ Part}$	SR	Junction temperature under bias		-40	110	
$T_{A\ V-Grade\ Part}$	SR	Ambient temperature under bias		-40	105	
$T_{J\ V-Grade\ Part}$	SR	Junction temperature under bias		-40	130	
$T_{A\ M-Grade\ Part}$	SR	Ambient temperature under bias		-40	125	
$T_{J\ M-Grade\ Part}$	SR	Junction temperature under bias		-40	150	

<sup>1</sup> 100 nF capacitance needs to be provided between each  $V_{DD}/V_{SS}$  pair.

<sup>2</sup> Full device operation is guaranteed by design when the voltage drops below 4.5 V down to 3.6 V. However, certain analog electrical characteristics will not be guaranteed to stay within the stated limits.

<sup>3</sup> 330 nF capacitance needs to be provided between each  $V_{DD\_LV}/V_{SS\_LV}$  supply pair.

<sup>4</sup> 470 nF capacitance needs to be provided between  $V_{DD\_BV}$  and the nearest  $V_{SS\_LV}$  (higher value may be needed depending on external regulator characteristics).

<sup>5</sup> 100 nF capacitance needs to be provided between  $V_{DD\_ADC}/V_{SS\_ADC}$  pair.

<sup>6</sup> Guaranteed by device validation

**NOTE**

SRAM data retention is guaranteed with  $V_{DD\_LV}$  not below 1.08 V.

## 4.6 Thermal characteristics

### 4.6.1 Package thermal characteristics

**Table 13. LQFP thermal characteristics<sup>1</sup>**

Symbol	C	D	Parameter	Conditions <sup>2</sup>		Value	Unit
$R_{\theta JA}$	CC	D	Thermal resistance, junction-to-ambient natural convection <sup>3</sup>	Single-layer board — 1s	LQFP64	72.1	°C/W
					LQFP100	65.2	
				Four-layer board — 2s2p	LQFP64	57.3	
					LQFP100	51.8	
$R_{\theta JB}$	CC	D	Thermal resistance, junction-to-board <sup>4</sup>	Four-layer board — 2s2p	LQFP64	44.1	°C/W
					LQFP100	41.3	
$R_{\theta JC}$	CC	D	Thermal resistance, junction-to-case <sup>5</sup>	Single-layer board — 1s	LQFP64	26.5	°C/W
					LQFP100	23.9	
				Four-layer board — 2s2p	LQFP64	26.2	
					LQFP100	23.7	
$\Psi_{JB}$	CC	D	Junction-to-board thermal characterization parameter, natural convection	Single-layer board — 1s	LQFP64	41	°C/W
					LQFP100	41.6	
				Four-layer board — 2s2p	LQFP64	43	
					LQFP100	43.4	
$\Psi_{JC}$	CC	D	Junction-to-case thermal characterization parameter, natural convection	Single-layer board — 1s	LQFP64	11.5	°C/W
					LQFP100	10.4	
				Four-layer board — 2s2p	LQFP64	11.1	
					LQFP100	10.2	

<sup>1</sup> Thermal characteristics are targets based on simulation that are subject to change per device characterization.

<sup>2</sup>  $V_{DD} = 3.3 \text{ V} \pm 10\% / 5.0 \text{ V} \pm 10\%$ ,  $T_A = -40$  to  $125 \text{ }^\circ\text{C}$

<sup>3</sup> Junction-to-ambient thermal resistance determined per JEDEC JESD51-3 and JESD51-7. Thermal test board meets JEDEC specification for this package. When Greek letters are not available, the symbols are typed as  $R_{thJA}$ .

<sup>4</sup> Junction-to-board thermal resistance determined per JEDEC JESD51-8. Thermal test board meets JEDEC specification for the specified package. When Greek letters are not available, the symbols are typed as  $R_{thJB}$ .

<sup>5</sup> Junction-to-case at the top of the package determined using MIL-STD 883 Method 1012.1. The cold plate temperature is used for the case temperature. Reported value includes the thermal resistance of the interface layer. When Greek letters are not available, the symbols are typed as  $R_{thJC}$ .

### 4.6.2 Power considerations

The average chip-junction temperature,  $T_J$ , in degrees Celsius, may be calculated using [Equation 1](#):

$$T_J = T_A + (P_D \times R_{\theta JA}) \quad \text{Eqn. 1}$$

Where:

$T_A$  is the ambient temperature in °C.

$R_{\theta JA}$  is the package junction-to-ambient thermal resistance, in °C/W.

$P_D$  is the sum of  $P_{INT}$  and  $P_{I/O}$  ( $P_D = P_{INT} + P_{I/O}$ ).

$P_{INT}$  is the product of  $I_{DD}$  and  $V_{DD}$ , expressed in watts. This is the chip internal power.

$P_{I/O}$  represents the power dissipation on input and output pins; user determined.

Most of the time for the applications,  $P_{I/O} < P_{INT}$  and may be neglected. On the other hand,  $P_{I/O}$  may be significant, if the device is configured to continuously drive external modules and/or memories.

An approximate relationship between  $P_D$  and  $T_J$  (if  $P_{I/O}$  is neglected) is given by:

$$P_D = K / (T_J + 273 \text{ °C}) \quad \text{Eqn. 2}$$

Therefore, solving equations 1 and 2:

$$K = P_D \times (T_A + 273 \text{ °C}) + R_{\theta JA} \times P_D^2 \quad \text{Eqn. 3}$$

Where:

$K$  is a constant for the particular part, which may be determined from [Equation 3](#) by measuring  $P_D$  (at equilibrium) for a known  $T_A$ . Using this value of  $K$ , the values of  $P_D$  and  $T_J$  may be obtained by solving equations 1 and 2 iteratively for any value of  $T_A$ .

## 4.7 I/O pad electrical characteristics

### 4.7.1 I/O pad types

The device provides four main I/O pad types depending on the associated alternate functions:

- Slow pads—These pads are the most common pads, providing a good compromise between transition time and low electromagnetic emission.
- Medium pads—These pads provide transition fast enough for the serial communication channels with controlled current to reduce electromagnetic emission.
- Input only pads—These pads are associated to ADC channels (ADC\_P[X]) providing low input leakage.

Medium pads can use slow configuration to reduce electromagnetic emission except for PC[1], that is medium only, at the cost of reducing AC performance.

### 4.7.2 I/O input DC characteristics

[Table 14](#) provides input DC electrical characteristics as described in [Figure 4](#).

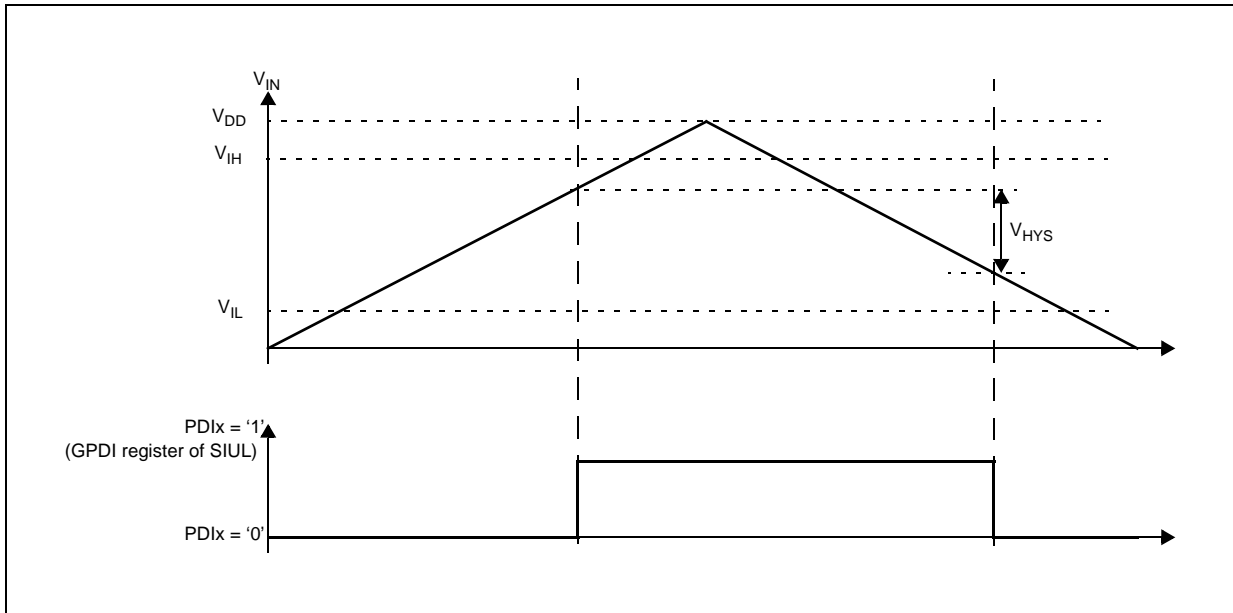


Figure 4. Input DC electrical characteristics definition

Table 14. I/O input DC electrical characteristics

Symbol	C	Parameter	Conditions <sup>1</sup>	Value			Unit		
				Min	Typ	Max			
V <sub>IH</sub>	SR	P	Input high level CMOS (Schmitt Trigger)	0.65V <sub>DD</sub>	—	V <sub>DD</sub> +0.4	V		
V <sub>IL</sub>	SR	P	Input low level CMOS (Schmitt Trigger)	-0.4	—	0.35V <sub>DD</sub>	V		
V <sub>HYS</sub>	CC	C	Input hysteresis CMOS (Schmitt Trigger)	0.1V <sub>DD</sub>	—	—	V		
I <sub>LKG</sub>	CC	D	Digital input leakage	No injection on adjacent pin	T <sub>A</sub> = -40 °C	—	2	200	nA
					T <sub>A</sub> = 25 °C	—	2	200	
					T <sub>A</sub> = 85 °C	—	5	300	
					T <sub>A</sub> = 105 °C	—	12	500	
					T <sub>A</sub> = 125 °C	—	70	1000	
W <sub>FI</sub> <sup>2</sup>	SR	P	Digital input filtered pulse	—	—	40	ns		
W <sub>NFI</sub> <sup>(2)</sup>	SR	P	Digital input not filtered pulse	—	1000	—	ns		

<sup>1</sup> V<sub>DD</sub> = 3.3 V ± 10% / 5.0 V ± 10%, T<sub>A</sub> = -40 to 125 °C, unless otherwise specified

<sup>2</sup> In the range from 40 to 1000 ns, pulses can be filtered or not filtered, according to operating temperature and voltage.

### 4.7.3 I/O output DC characteristics

The following tables provide DC characteristics for bidirectional pads:

- [Table 15](#) provides weak pull figures. Both pull-up and pull-down resistances are supported.

- Table 16 provides output driver characteristics for I/O pads when in SLOW configuration.
- Table 17 provides output driver characteristics for I/O pads when in MEDIUM configuration.

**Table 15. I/O pull-up/pull-down DC electrical characteristics**

Symbol	C	Parameter	Conditions <sup>1</sup>	Value			Unit		
				Min	Typ	Max			
I <sub>WPU</sub>	CC	P	Weak pull-up current absolute value	V <sub>IN</sub> = V <sub>IL</sub> , V <sub>DD</sub> = 5.0 V ± 10%	PAD3V5V = 0	10	—	150	μA
					PAD3V5V = 1 <sup>2</sup>	10	—	250	
				P	V <sub>IN</sub> = V <sub>IL</sub> , V <sub>DD</sub> = 3.3 V ± 10%	PAD3V5V = 1	10	—	
I <sub>WPD</sub>	CC	P	Weak pull-down current absolute value	V <sub>IN</sub> = V <sub>IH</sub> , V <sub>DD</sub> = 5.0 V ± 10%	PAD3V5V = 0	10	—	150	μA
					PAD3V5V = 1 <sup>(2)</sup>	10	—	250	
				P	V <sub>IN</sub> = V <sub>IH</sub> , V <sub>DD</sub> = 3.3 V ± 10%	PAD3V5V = 1	10	—	

<sup>1</sup> V<sub>DD</sub> = 3.3 V ± 10% / 5.0 V ± 10%, T<sub>A</sub> = -40 to 125 °C, unless otherwise specified.

<sup>2</sup> The configuration PAD3V5 = 1 when V<sub>DD</sub> = 5 V is only a transient configuration during power-up. All pads but RESET are configured in input or in high impedance state.

**Table 16. SLOW configuration output buffer electrical characteristics**

Symbol	C	Parameter	Conditions <sup>1</sup>	Value			Unit		
				Min	Typ	Max			
V <sub>OH</sub>	CC	P	Output high level SLOW configuration	Push Pull	I <sub>OH</sub> = -2 mA, V <sub>DD</sub> = 5.0 V ± 10%, PAD3V5V = 0 (recommended)	0.8V <sub>DD</sub>	—	—	V
					I <sub>OH</sub> = -2 mA, V <sub>DD</sub> = 5.0 V ± 10%, PAD3V5V = 1 <sup>2</sup>	0.8V <sub>DD</sub>	—	—	
					I <sub>OH</sub> = -1 mA, V <sub>DD</sub> = 3.3 V ± 10%, PAD3V5V = 1 (recommended)	V <sub>DD</sub> - 0.8	—	—	
V <sub>OL</sub>	CC	P	Output low level SLOW configuration	Push Pull	I <sub>OL</sub> = 2 mA, V <sub>DD</sub> = 5.0 V ± 10%, PAD3V5V = 0 (recommended)	—	—	0.1V <sub>DD</sub>	V
					I <sub>OL</sub> = 2 mA, V <sub>DD</sub> = 5.0 V ± 10%, PAD3V5V = 1 <sup>(2)</sup>	—	—	0.1V <sub>DD</sub>	
					I <sub>OL</sub> = 1 mA, V <sub>DD</sub> = 3.3 V ± 10%, PAD3V5V = 1 (recommended)	—	—	0.5	

<sup>1</sup> V<sub>DD</sub> = 3.3 V ± 10% / 5.0 V ± 10%, T<sub>A</sub> = -40 to 125 °C, unless otherwise specified

<sup>2</sup> The configuration PAD3V5 = 1 when V<sub>DD</sub> = 5 V is only a transient configuration during power-up. All pads but RESET are configured in input or in high impedance state.

Table 17. MEDIUM configuration output buffer electrical characteristics

Symbol	C	Parameter	Conditions <sup>1</sup>	Value			Unit	
				Min	Typ	Max		
V <sub>OH</sub>	CC	Output high level MEDIUM configuration	Push Pull	I <sub>OH</sub> = -3.8 mA, V <sub>DD</sub> = 5.0 V ± 10%, PAD3V5V = 0	0.8V <sub>DD</sub>	—	—	V
				I <sub>OH</sub> = -2 mA, V <sub>DD</sub> = 5.0 V ± 10%, PAD3V5V = 0 (recommended)	0.8V <sub>DD</sub>	—	—	
				I <sub>OH</sub> = -1 mA, V <sub>DD</sub> = 5.0 V ± 10%, PAD3V5V = 1 <sup>2</sup>	0.8V <sub>DD</sub>	—	—	
				I <sub>OH</sub> = -1 mA, V <sub>DD</sub> = 3.3 V ± 10%, PAD3V5V = 1 (recommended)	V <sub>DD</sub> - 0.8	—	—	
				I <sub>OH</sub> = -100 μA, V <sub>DD</sub> = 5.0 V ± 10%, PAD3V5V = 0	0.8V <sub>DD</sub>	—	—	
V <sub>OL</sub>	CC	Output low level MEDIUM configuration	Push Pull	I <sub>OL</sub> = 3.8 mA, V <sub>DD</sub> = 5.0 V ± 10%, PAD3V5V = 0	—	—	0.2V <sub>DD</sub>	V
				I <sub>OL</sub> = 2 mA, V <sub>DD</sub> = 5.0 V ± 10%, PAD3V5V = 0 (recommended)	—	—	0.1V <sub>DD</sub>	
				I <sub>OL</sub> = 1 mA, V <sub>DD</sub> = 5.0 V ± 10%, PAD3V5V = 1 <sup>(2)</sup>	—	—	0.1V <sub>DD</sub>	
				I <sub>OL</sub> = 1 mA, V <sub>DD</sub> = 3.3 V ± 10%, PAD3V5V = 1 (recommended)	—	—	0.5	
				I <sub>OL</sub> = 100 μA, V <sub>DD</sub> = 5.0 V ± 10%, PAD3V5V = 0	—	—	0.1V <sub>DD</sub>	

<sup>1</sup> V<sub>DD</sub> = 3.3 V ± 10% / 5.0 V ± 10%, T<sub>A</sub> = -40 to 125 °C, unless otherwise specified

<sup>2</sup> The configuration PAD3V5 = 1 when V<sub>DD</sub> = 5 V is only a transient configuration during power-up. All pads but RESET are configured in input or in high impedance state.

## 4.7.4 Output pin transition times

Table 18. Output pin transition times

Symbol	C	Parameter	Conditions <sup>1</sup>	Value			Unit		
				Min	Typ	Max			
t <sub>tr</sub>	CC	D Output transition time output pin <sup>2</sup> SLOW configuration	C <sub>L</sub> = 25 pF	V <sub>DD</sub> = 5.0 V ± 10%, PAD3V5V = 0	—	—	50	ns	
			C <sub>L</sub> = 50 pF		—	—	100		
			C <sub>L</sub> = 100 pF		—	—	125		
		T	D Output transition time output pin <sup>2</sup> SLOW configuration	C <sub>L</sub> = 25 pF	V <sub>DD</sub> = 3.3 V ± 10%, PAD3V5V = 1	—	—		50
				C <sub>L</sub> = 50 pF		—	—		100
				C <sub>L</sub> = 100 pF		—	—		125
t <sub>tr</sub>	CC	D Output transition time output pin <sup>(2)</sup> MEDIUM configuration	C <sub>L</sub> = 25 pF	V <sub>DD</sub> = 5.0 V ± 10%, PAD3V5V = 0 SIUL.PCRx.SRC = 1	—	—	10	ns	
			C <sub>L</sub> = 50 pF		—	—	20		
			C <sub>L</sub> = 100 pF		—	—	40		
		T	D Output transition time output pin <sup>(2)</sup> MEDIUM configuration	C <sub>L</sub> = 25 pF	V <sub>DD</sub> = 3.3 V ± 10%, PAD3V5V = 1 SIUL.PCRx.SRC = 1	—	—		12
				C <sub>L</sub> = 50 pF		—	—		25
				C <sub>L</sub> = 100 pF		—	—		40

<sup>1</sup> V<sub>DD</sub> = 3.3 V ± 10% / 5.0 V ± 10%, T<sub>A</sub> = -40 to 125 °C, unless otherwise specified

<sup>2</sup> C<sub>L</sub> includes device and package capacitances (C<sub>PKG</sub> < 5 pF).

## 4.7.5 I/O pad current specification

The I/O pads are distributed across the I/O supply segment. Each I/O supply segment is associated to a V<sub>DD</sub>/V<sub>SS</sub> supply pair as described in [Table 19](#).

[Table 20](#) provides I/O consumption figures.

In order to ensure device reliability, the average current of the I/O on a single segment should remain below the I<sub>AVGSEG</sub> maximum value.

Table 19. I/O supply segment

Package	Supply segment			
	1	2	3	4
100 LQFP	pin 16 – pin 35	pin 37 – pin 69	pin 70 – pin 83	pin 84 – pin 15
64 LQFP	pin 8 – pin 26	pin 28 – pin 55	pin 56 – pin 7	—

Table 20. I/O consumption

Symbol	C	Parameter	Conditions <sup>1</sup>		Value			Unit		
					Min	Typ	Max			
$I_{\text{SWTSLW}}^{(2)}$	CC	D	Dynamic I/O current for SLOW configuration	$C_L = 25 \text{ pF}$	$V_{\text{DD}} = 5.0 \text{ V} \pm 10\%$ , $\text{PAD3V5V} = 0$	—	—	20	mA	
					$V_{\text{DD}} = 3.3 \text{ V} \pm 10\%$ , $\text{PAD3V5V} = 1$	—	—	16		
$I_{\text{SWTMED}}^{(2)}$	CC	D	Dynamic I/O current for MEDIUM configuration	$C_L = 25 \text{ pF}$	$V_{\text{DD}} = 5.0 \text{ V} \pm 10\%$ , $\text{PAD3V5V} = 0$	—	—	29	mA	
					$V_{\text{DD}} = 3.3 \text{ V} \pm 10\%$ , $\text{PAD3V5V} = 1$	—	—	17		
$I_{\text{RMSLW}}$	CC	D	Root mean square I/O current for SLOW configuration	$C_L = 25 \text{ pF}$ , 2 MHz	$V_{\text{DD}} = 5.0 \text{ V} \pm 10\%$ , $\text{PAD3V5V} = 0$	—	—	2.3	mA	
						$C_L = 25 \text{ pF}$ , 4 MHz	—	—		3.2
						$C_L = 100 \text{ pF}$ , 2 MHz	—	—		6.6
				$C_L = 25 \text{ pF}$ , 2 MHz	$V_{\text{DD}} = 3.3 \text{ V} \pm 10\%$ , $\text{PAD3V5V} = 1$	—	—	1.6		
						$C_L = 25 \text{ pF}$ , 4 MHz	—	—		2.3
						$C_L = 100 \text{ pF}$ , 2 MHz	—	—		4.7
$I_{\text{RMSMED}}$	CC	D	Root mean square I/O current for MEDIUM configuration	$C_L = 25 \text{ pF}$ , 13 MHz	$V_{\text{DD}} = 5.0 \text{ V} \pm 10\%$ , $\text{PAD3V5V} = 0$	—	—	6.6	mA	
						$C_L = 25 \text{ pF}$ , 40 MHz	—	—		13.4
						$C_L = 100 \text{ pF}$ , 13 MHz	—	—		18.3
				$C_L = 25 \text{ pF}$ , 13 MHz	$V_{\text{DD}} = 3.3 \text{ V} \pm 10\%$ , $\text{PAD3V5V} = 1$	—	—	5		
						$C_L = 25 \text{ pF}$ , 40 MHz	—	—		8.5
						$C_L = 100 \text{ pF}$ , 13 MHz	—	—		11
$I_{\text{AVGSEG}}$	SR	D	Sum of all the static I/O current within a supply segment	$V_{\text{DD}} = 5.0 \text{ V} \pm 10\%$ , $\text{PAD3V5V} = 0$		—	—	70	mA	
				$V_{\text{DD}} = 3.3 \text{ V} \pm 10\%$ , $\text{PAD3V5V} = 1$		—	—	65		

<sup>1</sup>  $V_{\text{DD}} = 3.3 \text{ V} \pm 10\%$  /  $5.0 \text{ V} \pm 10\%$ ,  $T_A = -40$  to  $125 \text{ }^\circ\text{C}$ , unless otherwise specified

<sup>2</sup> Stated maximum values represent peak consumption that lasts only a few ns during I/O transition.

Table 21 provides the weight of concurrent switching I/Os.

In order to ensure device functionality, the sum of the weight of concurrent switching I/Os on a single segment should remain below 100%.



Table 21. I/O weight<sup>1</sup>

Pad	100 LQFP/64 LQFP			
	Weight 5 V		Weight 3.3 V	
	SRC <sup>2</sup> = 0	SRC = 1	SRC = 0	SRC = 1
PB[3]	9%	9%	10%	10%
PC[9]	8%	8%	10%	10%
PC[14]	8%	8%	10%	10%
PC[15]	8%	11%	9%	10%
PA[2]	8%	8%	9%	9%
PE[0]	7%	7%	9%	9%
PA[1]	7%	7%	8%	8%
PE[1]	7%	10%	8%	8%
PE[8]	6%	9%	8%	8%
PE[9]	6%	6%	7%	7%
PE[10]	6%	6%	7%	7%
PA[0]	5%	7%	6%	7%
PE[11]	5%	5%	6%	6%
PC[11]	7%	7%	9%	9%
PC[10]	8%	11%	9%	10%
PB[0]	8%	11%	9%	10%
PB[1]	8%	8%	10%	10%
PC[6]	8%	8%	10%	10%
PC[7]	8%	8%	10%	10%
PA[15]	8%	11%	9%	10%
PA[14]	7%	11%	9%	9%
PA[4]	7%	7%	8%	8%
PA[13]	7%	10%	8%	9%
PA[12]	7%	7%	8%	8%
PB[9]	1%	1%	1%	1%
PB[8]	1%	1%	1%	1%
PB[10]	5%	5%	6%	6%
PD[0]	1%	1%	1%	1%
PD[1]	1%	1%	1%	1%
PD[2]	1%	1%	1%	1%
PD[3]	1%	1%	1%	1%
PD[4]	1%	1%	1%	1%

Table 21. I/O weight<sup>1</sup> (continued)

Pad	100 LQFP/64 LQFP			
	Weight 5 V		Weight 3.3 V	
	SRC <sup>2</sup> = 0	SRC = 1	SRC = 0	SRC = 1
PD[5]	1%	1%	1%	1%
PD[6]	1%	1%	1%	1%
PD[7]	1%	1%	1%	1%
PD[8]	1%	1%	1%	1%
PB[4]	1%	1%	1%	1%
PB[5]	1%	1%	1%	1%
PB[6]	1%	1%	1%	1%
PB[7]	1%	1%	1%	1%
PD[9]	1%	1%	1%	1%
PD[10]	1%	1%	1%	1%
PD[11]	1%	1%	1%	1%
PB[11]	9%	9%	11%	11%
PD[12]	8%	8%	10%	10%
PB[12]	8%	8%	10%	10%
PD[13]	8%	8%	9%	9%
PB[13]	8%	8%	9%	9%
PD[14]	7%	7%	9%	9%
PB[14]	7%	7%	8%	8%
PD[15]	7%	7%	8%	8%
PB[15]	6%	6%	7%	7%
PA[3]	6%	6%	7%	7%
PA[7]	4%	4%	5%	5%
PA[8]	4%	4%	5%	5%
PA[9]	4%	4%	5%	5%
PA[10]	5%	5%	6%	6%
PA[11]	5%	5%	6%	6%
PE[12]	5%	5%	6%	6%
PC[3]	5%	5%	6%	6%
PC[2]	5%	7%	6%	6%
PA[5]	5%	6%	5%	6%
PA[6]	4%	4%	5%	5%
PC[1]	5%	17%	4%	12%

Table 21. I/O weight<sup>1</sup> (continued)

Pad	100 LQFP/64 LQFP			
	Weight 5 V		Weight 3.3 V	
	SRC <sup>2</sup> = 0	SRC = 1	SRC = 0	SRC = 1
PC[0]	6%	9%	7%	8%
PE[2]	7%	10%	8%	9%
PE[3]	7%	10%	9%	9%
PC[5]	8%	11%	9%	10%
PC[4]	8%	11%	9%	10%
PE[4]	8%	12%	10%	10%
PE[5]	8%	12%	10%	11%
PE[6]	9%	12%	10%	11%
PE[7]	9%	12%	10%	11%
PC[12]	9%	13%	11%	11%
PC[13]	9%	9%	11%	11%
PC[8]	9%	9%	11%	11%
PB[2]	9%	13%	11%	12%

<sup>1</sup>  $V_{DD} = 3.3\text{ V} \pm 10\% / 5.0\text{ V} \pm 10\%$ ,  $T_A = -40$  to  $125\text{ }^\circ\text{C}$ , unless otherwise specified

<sup>2</sup> SRC: "Slew Rate Control" bit in SIU\_PCR

## 4.8 RESET electrical characteristics

The device implements a dedicated bidirectional  $\overline{\text{RESET}}$  pin.

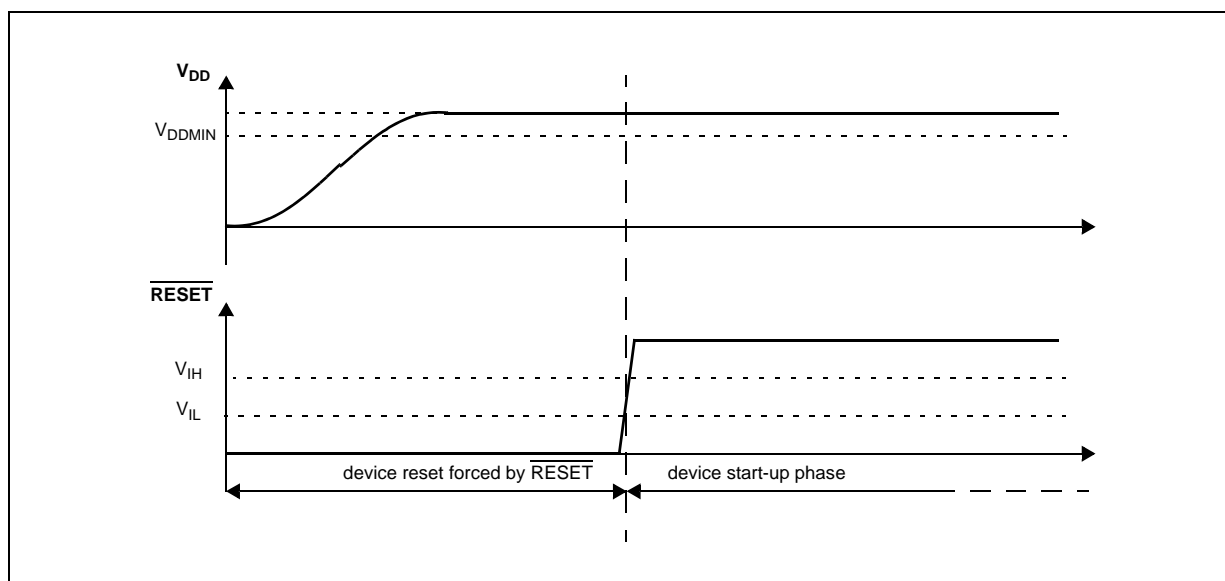


Figure 5. Start-up reset requirements



Table 22. Reset electrical characteristics (continued)

Symbol	C	Parameter	Conditions <sup>1</sup>	Value			Unit
				Min	Typ	Max	
$t_{tr}$	CC	D Output transition time output pin <sup>3</sup> MEDIUM configuration	$C_L = 25 \text{ pF}$ , $V_{DD} = 5.0 \text{ V} \pm 10\%$ , PAD3V5V = 0	—	—	10	ns
			$C_L = 50 \text{ pF}$ , $V_{DD} = 5.0 \text{ V} \pm 10\%$ , PAD3V5V = 0	—	—	20	
			$C_L = 100 \text{ pF}$ , $V_{DD} = 5.0 \text{ V} \pm 10\%$ , PAD3V5V = 0	—	—	40	
			$C_L = 25 \text{ pF}$ , $V_{DD} = 3.3 \text{ V} \pm 10\%$ , PAD3V5V = 1	—	—	12	
			$C_L = 50 \text{ pF}$ , $V_{DD} = 3.3 \text{ V} \pm 10\%$ , PAD3V5V = 1	—	—	25	
			$C_L = 100 \text{ pF}$ , $V_{DD} = 3.3 \text{ V} \pm 10\%$ , PAD3V5V = 1	—	—	40	
$W_{FRST}$	SR	P $\overline{\text{RESET}}$ input filtered pulse	—	—	—	40	ns
$W_{NFRST}$	SR	P $\overline{\text{RESET}}$ input not filtered pulse	—	1000	—	—	ns
$I_{WPU}$	CC	P Weak pull-up current absolute value	$V_{DD} = 3.3 \text{ V} \pm 10\%$ , PAD3V5V = 1	10	—	150	$\mu\text{A}$
			$V_{DD} = 5.0 \text{ V} \pm 10\%$ , PAD3V5V = 0	10	—	150	
			$V_{DD} = 5.0 \text{ V} \pm 10\%$ , PAD3V5V = 1 <sup>4</sup>	10	—	250	

<sup>1</sup>  $V_{DD} = 3.3 \text{ V} \pm 10\%$  /  $5.0 \text{ V} \pm 10\%$ ,  $T_A = -40$  to  $125 \text{ }^\circ\text{C}$ , unless otherwise specified

<sup>2</sup> This is a transient configuration during power-up, up to the end of reset PHASE2 (refer to RGM module section of the device reference manual).

<sup>3</sup>  $C_L$  includes device and package capacitance ( $C_{PKG} < 5 \text{ pF}$ ).

<sup>4</sup> The configuration PAD3V5 = 1 when  $V_{DD} = 5 \text{ V}$  is only transient configuration during power-up. All pads but RESET are configured in input or in high impedance state.

## 4.9 Power management electrical characteristics

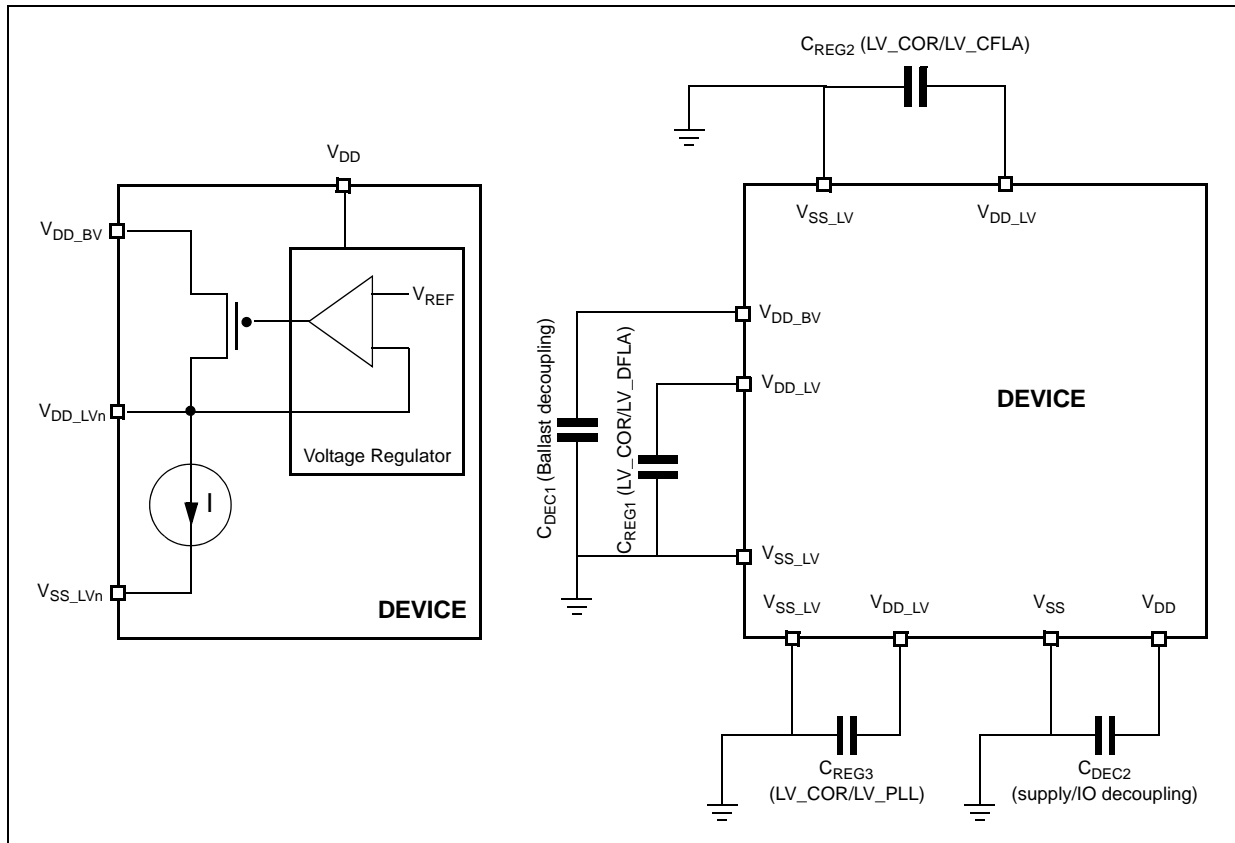
### 4.9.1 Voltage regulator electrical characteristics

The device implements an internal voltage regulator to generate the low voltage core supply  $V_{DD\_LV}$  from the high voltage ballast supply  $V_{DD\_BV}$ . The regulator itself is supplied by the common I/O supply  $V_{DD}$ . The following supplies are involved:

- HV: High voltage external power supply for voltage regulator module. This must be provided externally through  $V_{DD}$  power pin.
- BV: High voltage external power supply for internal ballast module. This must be provided externally through  $V_{DD\_BV}$  power pin. Voltage values should be aligned with  $V_{DD}$ .
- LV: Low voltage internal power supply for core, FMPLL and flash digital logic. This is generated by the internal voltage regulator but provided outside to connect stability capacitor. It is further split into four main domains to ensure noise isolation between critical LV modules within the device:
  - LV\_COR: Low voltage supply for the core. It is also used to provide supply for FMPLL through double bonding.

## Electrical characteristics

- LV\_CFLA: Low voltage supply for code flash module. It is supplied with dedicated ballast and shorted to LV\_COR through double bonding.
- LV\_DFLA: Low voltage supply for data flash module. It is supplied with dedicated ballast and shorted to LV\_COR through double bonding.
- LV\_PLL: Low voltage supply for FMPLL. It is shorted to LV\_COR through double bonding.



**Figure 7. Voltage regulator capacitance connection**

The internal voltage regulator requires external capacitance ( $C_{REGn}$ ) to be connected to the device in order to provide a stable low voltage digital supply to the device. Capacitances should be placed on the board as near as possible to the associated pins. Care should also be taken to limit the serial inductance of the board to less than 5 nH.

Each decoupling capacitor must be placed between each of the three  $V_{DD\_LV}/V_{SS\_LV}$  supply pairs to ensure stable voltage (see [Section 4.5, Recommended operating conditions](#)).

**Table 23. Voltage regulator electrical characteristics**

Symbol	C	Parameter	Conditions <sup>1</sup>	Value			Unit
				Min	Typ	Max	
$C_{REGn}$	SR	Internal voltage regulator external capacitance	—	200	—	500	nF
$R_{REG}$	SR	Stability capacitor equivalent serial resistance	Range: 10 kHz to 20 MHz	—	—	0.2	$\Omega$

**Table 23. Voltage regulator electrical characteristics (continued)**

Symbol	C	Parameter	Conditions <sup>1</sup>	Value			Unit
				Min	Typ	Max	
C <sub>DEC1</sub>	SR	Decoupling capacitance <sup>2</sup> ballast	V <sub>DD_BV</sub> /V <sub>SS_LV</sub> pair: V <sub>DD_BV</sub> = 4.5 V to 5.5 V	100 <sup>3</sup>	470 <sup>4</sup>	—	nF
			V <sub>DD_BV</sub> /V <sub>SS_LV</sub> pair: V <sub>DD_BV</sub> = 3 V to 3.6 V	400		—	
C <sub>DEC2</sub>	SR	Decoupling capacitance regulator supply	V <sub>DD</sub> /V <sub>SS</sub> pair	10	100	—	nF
V <sub>MREG</sub>	CC	Main regulator output voltage	Before exiting from reset	—	1.32	—	V
			After trimming	1.16	1.28	—	
I <sub>MREG</sub>	SR	Main regulator current provided to V <sub>DD_LV</sub> domain	—	—	—	150	mA
I <sub>MREGINT</sub>	CC	Main regulator module current consumption	I <sub>MREG</sub> = 200 mA	—	—	2	mA
			I <sub>MREG</sub> = 0 mA	—	—	1	
V <sub>LPREG</sub>	CC	Low-power regulator output voltage	After trimming	1.16	1.28	—	V
I <sub>LPREG</sub>	SR	Low power regulator current provided to V <sub>DD_LV</sub> domain	—	—	—	15	mA
I <sub>LPREGINT</sub>	CC	Low-power regulator module current consumption	I <sub>LPREG</sub> = 15 mA; T <sub>A</sub> = 55 °C	—	—	600	μA
			I <sub>LPREG</sub> = 0 mA; T <sub>A</sub> = 55 °C	—	5	—	
V <sub>ULPREG</sub>	CC	Ultra low power regulator output voltage	After trimming	1.16	1.28	—	V
I <sub>ULPREG</sub>	SR	Ultra low power regulator current provided to V <sub>DD_LV</sub> domain	—	—	—	5	mA
I <sub>ULPREGINT</sub>	CC	Ultra low power regulator module current consumption	I <sub>ULPREG</sub> = 5 mA; T <sub>A</sub> = 55 °C	—	—	100	μA
			I <sub>ULPREG</sub> = 0 mA; T <sub>A</sub> = 55 °C	—	2	—	
I <sub>DD_BV</sub>	CC	In-rush average current on V <sub>DD_BV</sub> during power-up <sup>5</sup>	—	—	—	300 <sup>6</sup>	mA

<sup>1</sup> V<sub>DD</sub> = 3.3 V ± 10% / 5.0 V ± 10%, T<sub>A</sub> = -40 to 125 °C, unless otherwise specified.

<sup>2</sup> This capacitance value is driven by the constraints of the external voltage regulator supplying the V<sub>DD\_BV</sub> voltage. A typical value is in the range of 470 nF.

<sup>3</sup> This value is acceptable to guarantee operation from 4.5 V to 5.5 V.

<sup>4</sup> External regulator and capacitance circuitry must be capable of providing I<sub>DD\_BV</sub> while maintaining supply V<sub>DD\_BV</sub> in operating range.

<sup>5</sup> In-rush average current is seen only for short time during power-up and on standby exit (maximum 20 μs, depending on external capacitances to be loaded).

<sup>6</sup> The duration of the in-rush current depends on the capacitance placed on LV pins. BV decoupling capacitors must be sized accordingly. Refer to I<sub>MREG</sub> value for minimum amount of current to be provided in cc.

### 4.9.2 Low voltage detector electrical characteristics

The device implements a power-on reset (POR) module to ensure correct power-up initialization, as well as five low voltage detectors (LVDs) to monitor the  $V_{DD}$  and the  $V_{DD\_LV}$  voltage while device is supplied:

- POR monitors  $V_{DD}$  during the power-up phase to ensure device is maintained in a safe reset state (refer to RGM Destructive Event Status (RGM\_DES) Register flag F\_POR in device reference manual)
- LVDHV3 monitors  $V_{DD}$  to ensure device reset below minimum functional supply (refer to RGM Destructive Event Status (RGM\_DES) Register flag F\_LVD27 in device reference manual)
- LVDHV3B monitors  $V_{DD\_BV}$  to ensure device reset below minimum functional supply (refer to RGM Destructive Event Status (RGM\_DES) Register flag F\_LVD27\_VREG in device reference manual)
- LVDHV5 monitors  $V_{DD}$  when application uses device in the  $5.0\text{ V} \pm 10\%$  range (refer to RGM Functional Event Status (RGM\_FES) Register flag F\_LVD45 in device reference manual)
- LVDLVCOR monitors power domain No. 1 (refer to RGM Destructive Event Status (RGM\_DES) Register flag F\_LVD12\_PD1 in device reference manual)
- LVDLVBKP monitors power domain No. 0 (refer to RGM Destructive Event Status (RGM\_DES) Register flag F\_LVD12\_PD0 in device reference manual)



Figure 8. Low voltage detector vs reset



Table 24. Low voltage detector electrical characteristics

Symbol	C	Parameter	Conditions <sup>1</sup>	Value			Unit	
				Min	Typ	Max		
V <sub>PORUP</sub>	SR	P	Supply for functional POR module	T <sub>A</sub> = 25 °C, after trimming	1.0	—	5.5	V
V <sub>PORH</sub>	CC	P	Power-on reset threshold		1.5	—	2.6	V
V <sub>LVDHV3H</sub>	CC	T	LVDHV3 low voltage detector high threshold		—	—	2.95	V
V <sub>LVDHV3L</sub>	CC	P	LVDHV3 low voltage detector low threshold		2.6	—	2.9	V
V <sub>LVDHV3BH</sub>	CC	P	LVDHV3B low voltage detector high threshold		—	—	2.95	V
V <sub>LVDHV3BL</sub>	CC	P	LVDHV3B low voltage detector low threshold		2.6	—	2.9	V
V <sub>LVDHV5H</sub>	CC	T	LVDHV5 low voltage detector high threshold		—	—	4.5	V
V <sub>LVDHV5L</sub>	CC	P	LVDHV5 low voltage detector low threshold		3.8	—	4.4	V
V <sub>LVDLVCORL</sub>	CC	P	LVDLVCOR low voltage detector low threshold		1.08	—	1.16	V
V <sub>LVDLVBKPL</sub>	CC	P	LVDLVBKP low voltage detector low threshold		1.08	—	1.16	V

<sup>1</sup> V<sub>DD</sub> = 3.3 V ± 10% / 5.0 V ± 10%, T<sub>A</sub> = -40 to 125 °C, unless otherwise specified

## 4.10 Power consumption

Table 25 provides DC electrical characteristics for significant application modes. These values are indicative values; actual consumption depends on the application.

Table 25. Power consumption on VDD\_BV and VDD\_HV

Symbol	C	Parameter	Conditions <sup>1</sup>	Value			Unit		
				Min	Typ	Max			
I <sub>DDMAX</sub> <sup>2</sup>	CC	D	RUN mode maximum average current	—	90	130 <sup>3</sup>	mA		
I <sub>DDRUN</sub> <sup>4</sup>	CC	T	RUN mode typical average current <sup>5</sup>	f <sub>CPU</sub> = 8 MHz	—	7	—	mA	
				f <sub>CPU</sub> = 16 MHz	—	18	—		
				f <sub>CPU</sub> = 32 MHz	—	29	—		
				f <sub>CPU</sub> = 48 MHz	—	40	100		
I <sub>DDHALT</sub>	CC	C	HALT mode current <sup>6</sup>	Slow internal RC oscillator (128 kHz) running	T <sub>A</sub> = 25 °C	—	8	15	mA
					T <sub>A</sub> = 125 °C	—	14	25	
I <sub>DDSTOP</sub>	CC	P	STOP mode current <sup>7</sup>	Slow internal RC oscillator (128 kHz) running	T <sub>A</sub> = 25 °C	—	180	700 <sup>8</sup>	μA
					T <sub>A</sub> = 55 °C	—	500	—	
					T <sub>A</sub> = 85 °C	—	1	6 <sup>(8)</sup>	mA
					T <sub>A</sub> = 105 °C	—	2	9 <sup>(8)</sup>	
					T <sub>A</sub> = 125 °C	—	4.5	12 <sup>(8)</sup>	

**Table 25. Power consumption on VDD\_BV and VDD\_HV (continued) (continued)**

Symbol	C	Parameter	Conditions <sup>1</sup>	Value			Unit	
				Min	Typ	Max		
I <sub>DDSTDBY</sub>	CC	P	STANDBY mode current <sup>9</sup> Slow internal RC oscillator (128 kHz) running	T <sub>A</sub> = 25 °C	—	30	100	μA
		D		T <sub>A</sub> = 55 °C	—	75	—	
		D		T <sub>A</sub> = 85 °C	—	180	700	
		D		T <sub>A</sub> = 105 °C	—	315	1000	
		P		T <sub>A</sub> = 125 °C	—	560	1700	

<sup>1</sup> V<sub>DD</sub> = 3.3 V ± 10% / 5.0 V ± 10%, T<sub>A</sub> = -40 to 125 °C, unless otherwise specified

<sup>2</sup> Running consumption does not include I/Os toggling which is highly dependent on the application. The given value is thought to be a worst case value with all peripherals running, and code fetched from code flash while modify operation ongoing on data flash. Notice that this value can be significantly reduced by application: switch off not used peripherals (default), reduce peripheral frequency through internal prescaler, fetch from RAM most used functions, use low power mode when possible.

<sup>3</sup> Higher current may be sunk by device during power-up and standby exit. Please refer to in-rush average current on [Table 23](#).

<sup>4</sup> RUN current measured with typical application with accesses on both flash memory and SRAM.

<sup>5</sup> Only for the “P” classification: Code fetched from SRAM: serial IPs CAN and LIN in loop-back mode, DSPI as Master, PLL as system clock (3 × Multiplier) peripherals on (eMIOS/CTU/ADC) and running at maximum frequency, periodic SW/WDG timer reset enabled.

<sup>6</sup> Data flash power down. Code flash in low power. SIRC (128 kHz) and FIRC (16 MHz) on. 10 MHz XTAL clock. FlexCAN: 0 ON (clocked but no reception or transmission). LINFlex: instances: 0, 1, 2 ON (clocked but no reception or transmission), instance: 3 clocks gated. eMIOS: instance: 0 ON (16 channels on PA[0]–PA[11] and PC[12]–PC[15]) with PWM 20 kHz, instance: 1 clock gated. DSPI: instance: 0 (clocked but no communication). RTC/API ON. PIT ON. STM ON. ADC ON but no conversion except 2 analog watchdogs.

<sup>7</sup> Only for the “P” classification: No clock, FIRC (16 MHz) off, SIRC (128 kHz) on, PLL off, HPVreg off, ULPVreg/LPVreg on. All possible peripherals off and clock gated. Flash in power down mode.

<sup>8</sup> When going from RUN to STOP mode and the core consumption is > 6 mA, it is normal operation for the main regulator module to be kept on by the on-chip current monitoring circuit. This is most likely to occur with junction temperatures exceeding 125 °C and under these circumstances, it is possible for the current to initially exceed the maximum STOP specification by up to 2 mA. After entering stop, the application junction temperature will reduce to the ambient level and the main regulator will be automatically switched off when the load current is below 6 mA.

<sup>9</sup> Only for the “P” classification: ULPVreg on, HP/LPVreg off, 16 KB SRAM on, device configured for minimum consumption, all possible modules switched off.

## 4.11 Flash memory electrical characteristics

The data flash operation depends strongly on the code flash operation. If code flash is switched-off, the data flash is disabled.

### 4.11.1 Program/Erase characteristics

[Table 26](#) shows the program and erase characteristics.

**Table 26. Program and erase specifications (code flash)**

Symbol	C	Parameter	Value				Unit	
			Min	Typ <sup>1</sup>	Initial max <sup>2</sup>	Max <sup>3</sup>		
t <sub>dwprogram</sub>	CC	C	Double word (64 bits) program time <sup>4</sup>	—	22	50	500	μs
t <sub>16Kpperase</sub>	CC	C	16 KB block preprogram and erase time	—	300	500	5000	ms
t <sub>32Kpperase</sub>	CC	C	32 KB block preprogram and erase time	—	400	600	5000	ms
t <sub>128Kpperase</sub>	CC	C	128 KB block preprogram and erase time	—	800	1300	7500	ms
t <sub>esus</sub>	CC	C	Erase suspend latency	—	—	30	30	μs

<sup>1</sup> Typical program and erase times assume nominal supply values and operation at 25 °C. All times are subject to change pending device characterization.

<sup>2</sup> Initial factory condition: < 100 program/erase cycles, 25 °C, typical supply voltage.

<sup>3</sup> The maximum program and erase times occur after the specified number of program/erase cycles. These maximum values are characterized but not guaranteed.

<sup>4</sup> Actual hardware programming times. This does not include software overhead.

**Table 27. Program and erase specifications (data flash)**

Symbol	C	Parameter	Value				Unit	
			Min	Typ <sup>1</sup>	Initial max <sup>2</sup>	Max <sup>3</sup>		
t <sub>swprogram</sub>	CC	C	Single word (32 bits) program time <sup>4</sup>	—	30	70	300	μs
t <sub>16Kpperase</sub>	CC	C	16 KB block preprogram and erase time	—	700	800	1500	ms
t <sub>Bank_D</sub>	CC	C	64 KB block preprogram and erase time	—	1900	2300	4800	ms

<sup>1</sup> Typical program and erase times assume nominal supply values and operation at 25 °C. All times are subject to change pending device characterization.

<sup>2</sup> Initial factory condition: < 100 program/erase cycles, 25 °C, typical supply voltage.

<sup>3</sup> The maximum program and erase times occur after the specified number of program/erase cycles. These maximum values are characterized but not guaranteed.

<sup>4</sup> Actual hardware programming times. This does not include software overhead.

**Table 28. Flash module life**

Symbol	C	Parameter	Conditions	Value			Unit
				Min	Typ	Max	
P/E	CC	Number of program/erase cycles per block over the operating temperature range (T <sub>J</sub> )	16 KB blocks	100,000	—	—	cycles
			32 KB blocks	10,000	100,000	—	cycles
			128 KB blocks	1,000	100,000	—	cycles
Retention	CC	Minimum data retention at 85 °C average ambient temperature <sup>1</sup>	Blocks with 0–1,000 P/E cycles	20	—	—	years
			Blocks with 1,001–10,000 P/E cycles	10	—	—	
			Blocks with 10,001–100,000 P/E cycles	5	—	—	

<sup>1</sup> Ambient temperature averaged over application duration. It is recommended not to exceed the product operating temperature range.

ECC circuitry provides correction of single bit faults and is used to improve further automotive reliability results. Some units will experience single bit corrections throughout the life of the product with no impact to product reliability.

**Table 29. Flash memory read access timing**

Symbol	C	Parameter	Conditions <sup>1</sup>	Max	Unit
f <sub>CFREAD</sub>	CC	Maximum working frequency for reading code flash memory at given number of wait states in worst conditions	2 wait states	48	MHz
			0 wait states	20	
f <sub>DFREAD</sub>	CC	Maximum working frequency for reading data flash memory at given number of wait states in worst conditions	6 wait states	48	MHz

<sup>1</sup> V<sub>DD</sub> = 3.3 V ± 10% / 5.0 V ± 10%, T<sub>A</sub> = –40 to 125 °C, unless otherwise specified

### 4.11.2 Flash power supply DC characteristics

Table 30 shows the power supply DC characteristics on external supply.

**NOTE**

Power supply for data flash is actually provided by code flash; this means that data flash cannot work if code flash is not powered.

**Table 30. Flash power supply DC electrical characteristics**

Symbol	C	Parameter	Conditions <sup>1</sup>	Value			Unit	
				Min	Typ	Max		
I <sub>CFREAD</sub>	CC	Sum of the current consumption on V <sub>DDHV</sub> and V <sub>DDBV</sub> on read access	Flash module read f <sub>CPU</sub> = 48 MHz	Code flash	—	—	33	mA
I <sub>DFREAD</sub>	CC			Data flash	—	—	4	
I <sub>CFMOD</sub>	CC	Sum of the current consumption on V <sub>DDHV</sub> and V <sub>DDBV</sub> on matrix modification (program/erase)	Program/Erase on-going while reading flash registers, f <sub>CPU</sub> = 48 MHz	Code flash	—	—	33	mA
I <sub>DFMOD</sub>	CC			Data flash	—	—	6	

Table 30. Flash power supply DC electrical characteristics

Symbol	C	Parameter	Conditions <sup>1</sup>	Value			Unit	
				Min	Typ	Max		
I <sub>FLPW</sub>	CC	D	Sum of the current consumption on V <sub>DDHV</sub> and V <sub>DDBV</sub> during flash low-power mode	—	—	910	μA	
I <sub>CFPWD</sub>	CC	D	Sum of the current consumption on V <sub>DDHV</sub> and V <sub>DDBV</sub> during flash power-down mode	Code flash	—	—	125	μA
I <sub>DFPWD</sub>	CC	D		Data flash	—	—	25	μA

<sup>1</sup> V<sub>DD</sub> = 3.3 V ± 10% / 5.0 V ± 10%, T<sub>A</sub> = -40 to 125 °C, unless otherwise specified

### 4.11.3 Start-up/Switch-off timings

Table 31. Start-up time/Switch-off time

Symbol	C	Parameter	Conditions <sup>1</sup>	Value			Unit	
				Min	Typ	Max		
t <sub>FLARSTEXIT</sub>	CC	T	Delay for flash module to exit reset mode	Code flash	—	—	125	μs
				Data flash	—	—	150	μs
t <sub>FLALPEXIT</sub>	CC	T	Delay for flash module to exit low-power mode <sup>2</sup>	Code flash	—	—	0.5	μs
t <sub>FLAPDEXIT</sub>	CC	T	Delay for flash module to exit power-down mode	Code flash	—	—	30	μs
				Data flash	—	—	30 <sup>3</sup>	μs
t <sub>FLALPENTRY</sub>	CC	T	Delay for flash module to enter low-power mode	Code flash	—	—	0.5	μs
t <sub>FLAPDENTRY</sub>	CC	T	Delay for flash module to enter power-down mode	Code flash	—	—	1.5	μs
				Data flash	—	—	4 <sup>(3)</sup>	μs

<sup>1</sup> V<sub>DD</sub> = 3.3 V ± 10% / 5.0 V ± 10%, T<sub>A</sub> = -40 to 125 °C, unless otherwise specified

<sup>2</sup> Data flash does not support low-power mode

<sup>3</sup> If code flash is already switched-on.

## 4.12 Electromagnetic compatibility (EMC) characteristics

Susceptibility tests are performed on a sample basis during product characterization.

### 4.12.1 Designing hardened software to avoid noise problems

EMC characterization and optimization are performed at component level with a typical application environment and simplified MCU software. It should be noted that good EMC performance is highly dependent on the user application and the software in particular.

Therefore it is recommended that the user apply EMC software optimization and prequalification tests in relation with the EMC level requested for his application.

- Software recommendations – The software flowchart must include the management of runaway conditions such as:

## Electrical characteristics

- Corrupted program counter
- Unexpected reset
- Critical data corruption (control registers...)
- Prequalification trials – Most of the common failures (unexpected reset and program counter corruption) can be reproduced by manually forcing a low state on the reset pin or the oscillator pins for 1 second.  
To complete these trials, ESD stress can be applied directly on the device. When unexpected behavior is detected, the software can be hardened to prevent unrecoverable errors occurring.

### 4.12.2 Electromagnetic interference (EMI)

The product is monitored in terms of emission based on a typical application. This emission test conforms to the IEC 61967-1 standard, which specifies the general conditions for EMI measurements.

**Table 32. EMI radiated emission measurement<sup>1 2</sup>**

Symbol	C	Parameter	Conditions	Value			Unit		
				Min	Typ	Max			
—	SR	Scan range	—	0.150	—	1000	MHz		
f <sub>CPU</sub>	SR	Operating frequency	—	—	48	—	MHz		
V <sub>DD_LV</sub>	SR	LV operating voltages	—	—	1.28	—	V		
S <sub>EMI</sub>	CC	T	Peak level	V <sub>DD</sub> = 5 V, T <sub>A</sub> = 25 °C, 100 LQFP package Test conforming to IEC 61967-2, f <sub>OSC</sub> = 8 MHz/f <sub>CPU</sub> = 48 MHz	No PLL frequency modulation	—	—	18	dBμV
				± 2% PLL frequency modulation	—	—	14	dBμV	

<sup>1</sup> EMI testing and I/O port waveforms per IEC 61967-1, -2, -4

<sup>2</sup> For information on conducted emission and susceptibility measurement (norm IEC 61967-4), please contact your local marketing representative.

### 4.12.3 Absolute maximum ratings (electrical sensitivity)

Based on two different tests (ESD and LU) using specific measurement methods, the product is stressed in order to determine its performance in terms of electrical sensitivity.

#### 4.12.3.1 Electrostatic discharge (ESD)

Electrostatic discharges (a positive then a negative pulse separated by 1 second) are applied to the pins of each sample according to each pin combination. The sample size depends on the number of supply pins in the device (3 parts × (n + 1) supply pin). This test conforms to the AEC-Q100-002/-003/-011 standard.

**Table 33. ESD absolute maximum ratings<sup>1 2</sup>**

Symbol		C	Ratings	Conditions	Class	Max value	Unit
$V_{ESD(HBM)}$	CC	T	Electrostatic discharge voltage (Human Body Model)	$T_A = 25\text{ °C}$ conforming to AEC-Q100-002	H1C	2000	V
$V_{ESD(MM)}$	CC	T	Electrostatic discharge voltage (Machine Model)	$T_A = 25\text{ °C}$ conforming to AEC-Q100-003	M2	200	V
$V_{ESD(CDM)}$	CC	T	Electrostatic discharge voltage (Charged Device Model)	$T_A = 25\text{ °C}$ conforming to AEC-Q100-011	C3A	500	V
						750 (corners)	V

<sup>1</sup> All ESD testing is in conformity with CDF-AEC-Q100 Stress Test Qualification for Automotive Grade Integrated Circuits.

<sup>2</sup> A device will be defined as a failure if after exposure to ESD pulses the device no longer meets the device specification requirements. Complete DC parametric and functional testing shall be performed per applicable device specification at room temperature followed by hot temperature, unless specified otherwise in the device specification.

### 4.12.3.2 Static latch-up (LU)

Two complementary static tests are required on six parts to assess the latch-up performance:

- A supply overvoltage is applied to each power supply pin.
- A current injection is applied to each input, output and configurable I/O pin.

These tests are compliant with the EIA/JESD 78 IC latch-up standard.

**Table 34. Latch-up results**

Symbol		C	Parameter	Conditions	Class
LU	CC	T	Static latch-up class	$T_A = 125\text{ °C}$ conforming to JESD 78	II level A

### 4.13 Fast external crystal oscillator (4 to 16 MHz) electrical characteristics

The device provides an oscillator/resonator driver. Figure 9 describes a simple model of the internal oscillator driver and provides an example of a connection for an oscillator or a resonator.

Table 35 provides the parameter description of 4 MHz to 16 MHz crystals used for the design simulations.



Figure 9. Crystal oscillator and resonator connection scheme



Table 35. Crystal description

Nominal frequency (MHz)	NDK crystal reference	Crystal equivalent series resistance (ESR) $\Omega$	Crystal motional capacitance ( $C_m$ ) fF	Crystal motional inductance ( $L_m$ ) mH	Load on xtalin/xtalout $C_1 = C_2$ (pF) <sup>1</sup>	Shunt capacitance between xtalout and xtalin $C_0^2$ (pF)
4	NX8045GB	300	2.68	591.0	21	2.93
8	NX5032GA	300	2.46	160.7	17	3.01
10		150	2.93	86.6	15	2.91
12		120	3.11	56.5	15	2.93
16		120	3.90	25.3	10	3.00

<sup>1</sup> The values specified for C1 and C2 are the same as used in simulations. It should be ensured that the testing includes all the parasitics (from the board, probe, crystal, etc.) as the AC / transient behavior depends upon them.

<sup>2</sup> The value of C0 specified here includes 2 pF additional capacitance for parasitics (to be seen with bond-pads, package, etc.).



Figure 10. Fast external crystal oscillator (4 to 16 MHz) timing diagram

Table 36. Fast external crystal oscillator (4 to 16 MHz) electrical characteristics

Symbol	C	Parameter	Conditions <sup>1</sup>	Value			Unit	
				Min	Typ	Max		
f <sub>FXOSC</sub>	SR	—	Fast external crystal oscillator frequency	—	4.0	—	16.0	MHz
g <sub>mFXOSC</sub>	CC	C	Fast external crystal oscillator transconductance	V <sub>DD</sub> = 3.3 V ± 10%, PAD3V5V = 1 OSCILLATOR_MARGIN = 0	2.2	—	8.2	mA/V
	CC	P		V <sub>DD</sub> = 5.0 V ± 10%, PAD3V5V = 0 OSCILLATOR_MARGIN = 0	2.0	—	7.4	
	CC	C		V <sub>DD</sub> = 3.3 V ± 10%, PAD3V5V = 1 OSCILLATOR_MARGIN = 1	2.7	—	9.7	
	CC	C		V <sub>DD</sub> = 5.0 V ± 10%, PAD3V5V = 0 OSCILLATOR_MARGIN = 1	2.5	—	9.2	
V <sub>FXOSC</sub>	CC	T	Oscillation amplitude at EXTAL	f <sub>OSC</sub> = 4 MHz, OSCILLATOR_MARGIN = 0	1.3	—	—	V
				f <sub>OSC</sub> = 16 MHz, OSCILLATOR_MARGIN = 1	1.3	—	—	
V <sub>FXOSCOPI</sub>	CC	P	Oscillation operating point	—	—	0.95	—	V
I <sub>FXOSC</sub> <sup>2</sup>	CC	T	Fast external crystal oscillator consumption	—	—	2	3	mA
t <sub>FXOSCSU</sub>	CC	T	Fast external crystal oscillator start-up time	f <sub>OSC</sub> = 4 MHz, OSCILLATOR_MARGIN = 0	—	—	6	ms
				f <sub>OSC</sub> = 16 MHz, OSCILLATOR_MARGIN = 1	—	—	1.8	
V <sub>IH</sub>	SR	P	Input high level CMOS (Schmitt Trigger)	Oscillator bypass mode	0.65V <sub>DD</sub>	—	V <sub>DD</sub> +0.4	V
V <sub>IL</sub>	SR	P	Input low level CMOS (Schmitt Trigger)	Oscillator bypass mode	-0.4	—	0.35V <sub>DD</sub>	V

<sup>1</sup> V<sub>DD</sub> = 3.3 V ± 10% / 5.0 V ± 10%, T<sub>A</sub> = -40 to 125 °C, unless otherwise specified

<sup>2</sup> Stated values take into account only analog module consumption but not the digital contributor (clock tree and enabled peripherals)

## 4.14 FMPLL electrical characteristics

The device provides a frequency-modulated phase-locked loop (FMPLL) module to generate a fast system clock from the main oscillator driver.

**Table 37. FMPLL electrical characteristics**

Symbol	C	Parameter	Conditions <sup>1</sup>	Value			Unit
				Min	Typ	Max	
$f_{PLLIN}$	SR	—	FMPLL reference clock <sup>2</sup>	—	—	—	MHz
$\Delta_{PLLIN}$	SR	—	FMPLL reference clock duty cycle <sup>(2)</sup>	—	—	—	%
$f_{PULLOUT}$	CC	D	FMPLL output clock frequency	—	—	—	MHz
$f_{VCO}$ <sup>3</sup>	CC	P	VCO frequency without frequency modulation	—	—	—	MHz
			VCO frequency with frequency modulation	—	—	—	
$f_{CPU}$	SR	—	System clock frequency	—	—	—	MHz
$f_{FREE}$	CC	P	Free-running frequency	—	—	—	MHz
$t_{LOCK}$	CC	P	FMPLL lock time	Stable oscillator ( $f_{PLLIN} = 16$ MHz)			$\mu$ s
$\Delta t_{LTJIT}$	CC	—	FMPLL long term jitter	$f_{PLLIN} = 16$ MHz (resonator), $f_{PLLCLK}$ at 48 MHz, 4,000 cycles			ns
$I_{PLL}$	CC	C	FMPLL consumption	$T_A = 25$ °C			mA

<sup>1</sup>  $V_{DD} = 3.3$  V  $\pm$  10% / 5.0 V  $\pm$  10%,  $T_A = -40$  to 125 °C, unless otherwise specified.

<sup>2</sup> PLLIN clock retrieved directly from FXOSC clock. Input characteristics are granted when oscillator is used in functional mode. When bypass mode is used, oscillator input clock should verify  $f_{PLLIN}$  and  $\Delta_{PLLIN}$ .

<sup>3</sup> Frequency modulation is considered  $\pm$ 4%.

## 4.15 Fast internal RC oscillator (16 MHz) electrical characteristics

The device provides a 16 MHz fast internal RC oscillator (FIRC). This is used as the default clock at the power-up of the device.

**Table 38. Fast internal RC oscillator (16 MHz) electrical characteristics**

Symbol	C	Parameter	Conditions <sup>1</sup>	Value			Unit
				Min	Typ	Max	
$f_{FIRC}$	CC	P	Fast internal RC oscillator high frequency	$T_A = 25$ °C, trimmed			MHz
	SR			—	—	—	
$I_{FIRCUN}$ <sup>2</sup>	CC	T	Fast internal RC oscillator high frequency current in running mode	$T_A = 25$ °C, trimmed			$\mu$ A
$I_{FIRCPWD}$	CC	D	Fast internal RC oscillator high frequency current in power down mode	$T_A = 25$ °C			$\mu$ A

**Table 38. Fast internal RC oscillator (16 MHz) electrical characteristics (continued)**

Symbol	C	Parameter	Conditions <sup>1</sup>	Value			Unit		
				Min	Typ	Max			
I <sub>FIRCSTOP</sub>	CC	T	Fast internal RC oscillator high frequency and system clock current in stop mode	T <sub>A</sub> = 25 °C	sysclk = off	—	500	—	μA
					sysclk = 2 MHz	—	600	—	
					sysclk = 4 MHz	—	700	—	
					sysclk = 8 MHz	—	900	—	
					sysclk = 16 MHz	—	1250	—	
t <sub>FIRCSU</sub>	CC	C	Fast internal RC oscillator start-up time	V <sub>DD</sub> = 5.0 V ± 10%		—	1.1	2.0	μs
Δ <sub>FIRC</sub> PRE	CC	C	Fast internal RC oscillator precision after software trimming of f <sub>FIRC</sub>	T <sub>A</sub> = 25 °C		-1	—	1	%
Δ <sub>FIRC</sub> TRIM	CC	C	Fast internal RC oscillator trimming step	T <sub>A</sub> = 25 °C		—	1.6		%
Δ <sub>FIRC</sub> VAR	CC	C	Fast internal RC oscillator variation in temperature and supply with respect to f <sub>FIRC</sub> at T <sub>A</sub> = 55 °C in high-frequency configuration	—		-5	—	5	%

<sup>1</sup> V<sub>DD</sub> = 3.3 V ± 10% / 5.0 V ± 10%, T<sub>A</sub> = -40 to 125 °C, unless otherwise specified.

<sup>2</sup> This does not include consumption linked to clock tree toggling and peripherals consumption when RC oscillator is ON.

## 4.16 Slow internal RC oscillator (128 kHz) electrical characteristics

The device provides a 128 kHz slow internal RC oscillator (SIRC). This can be used as the reference clock for the RTC module.

**Table 39. Slow internal RC oscillator (128 kHz) electrical characteristics**

Symbol	C	Parameter	Conditions <sup>1</sup>	Value			Unit	
				Min	Typ	Max		
f <sub>SIRC</sub>	CC	P	Slow internal RC oscillator low frequency	T <sub>A</sub> = 25 °C, trimmed	—	128	—	kHz
	SR			—	100	—	150	
I <sub>SIRC</sub> <sup>2</sup>	CC	C	Slow internal RC oscillator low frequency current	T <sub>A</sub> = 25 °C, trimmed	—	—	5	μA
t <sub>SIRCSU</sub>	CC	P	Slow internal RC oscillator start-up time	T <sub>A</sub> = 25 °C, V <sub>DD</sub> = 5.0 V ± 10%	—	8	12	μs
Δ <sub>SIRC</sub> PRE	CC	C	Slow internal RC oscillator precision after software trimming of f <sub>SIRC</sub>	T <sub>A</sub> = 25 °C	-2	—	2	%
Δ <sub>SIRC</sub> TRIM	CC	C	Slow internal RC oscillator trimming step	—	—	2.7	—	

**Table 39. Slow internal RC oscillator (128 kHz) electrical characteristics (continued)**

Symbol	C	Parameter	Conditions <sup>1</sup>	Value			Unit	
				Min	Typ	Max		
$\Delta_{\text{SIRCVAR}}$	CC	P	Slow internal RC oscillator variation in temperature and supply with respect to $f_{\text{SIRC}}$ at $T_A = 55\text{ }^\circ\text{C}$ in high frequency configuration	High frequency configuration	-10	—	10	%

<sup>1</sup>  $V_{\text{DD}} = 3.3\text{ V} \pm 10\% / 5.0\text{ V} \pm 10\%$ ,  $T_A = -40\text{ to }125\text{ }^\circ\text{C}$ , unless otherwise specified.

<sup>2</sup> This does not include consumption linked to clock tree toggling and peripherals consumption when RC oscillator is ON.

## 4.17 ADC electrical characteristics

### 4.17.1 Introduction

The device provides a 12-bit Successive Approximation Register (SAR) analog-to-digital converter.

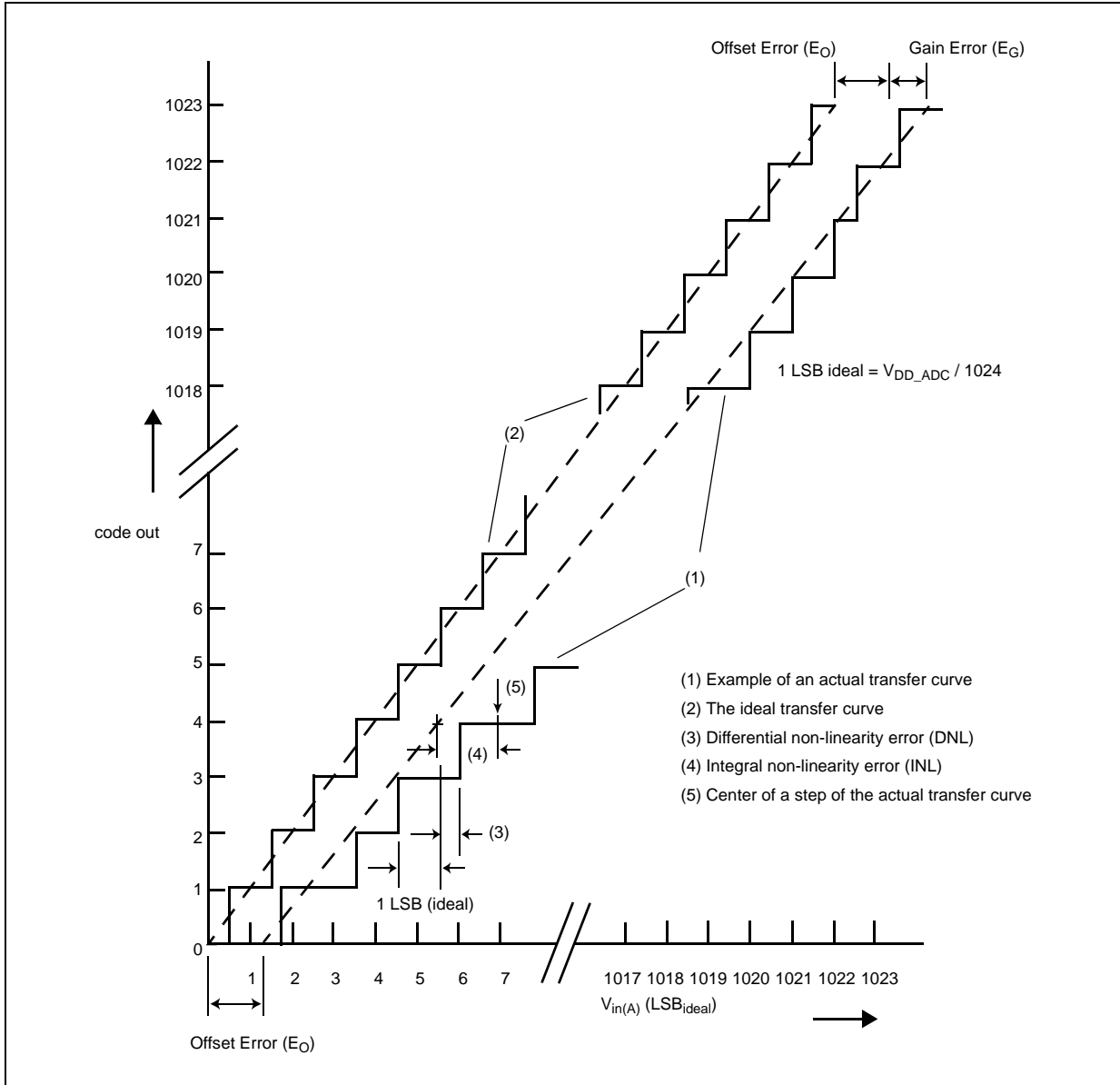


Figure 11. ADC characteristics and error definitions

## 4.17.2 Input impedance and ADC accuracy

In the following analysis, the input circuit corresponding to the precise channels is considered.

To preserve the accuracy of the A/D converter, it is necessary that analog input pins have low AC impedance. Placing a capacitor with good high frequency characteristics at the input pin of the device can be effective: the capacitor should be as large as possible, ideally infinite. This capacitor contributes to attenuating the noise present on the input pin; furthermore, it sources charge during the sampling phase, when the analog signal source is a high-impedance source.

A real filter can typically be obtained by using a series resistance with a capacitor on the input pin (simple RC filter). The RC filtering may be limited according to the value of source impedance of the transducer or circuit supplying the analog signal to be measured. The filter at the input pins must be designed taking into account the dynamic characteristics of the input signal (bandwidth) and the equivalent input impedance of the ADC itself.

In fact a current sink contributor is represented by the charge sharing effects with the sampling capacitance: being  $C_S$  and  $C_{p2}$  substantially two switched capacitances, with a frequency equal to the conversion rate of the ADC, it can be seen as a resistive path to ground. For instance, assuming a conversion rate of 1 MHz, with  $C_S+C_{p2}$  equal to 3 pF, a resistance of 330 k $\Omega$  is obtained ( $R_{EQ} = 1 / (f_c \times (C_S+C_{p2}))$ ), where  $f_c$  represents the conversion rate at the considered channel). To minimize the error induced by the voltage partitioning between this resistance (sampled voltage on  $C_S+C_{p2}$ ) and the sum of  $R_S + R_F$ , the external circuit must be designed to respect the [Equation 4](#):

**Eqn. 4**

$$V_A \cdot \frac{R_S + R_F}{R_{EQ}} < \frac{1}{2} \text{LSB}$$

[Equation 4](#) generates a constraint for external network design, in particular on a resistive path.

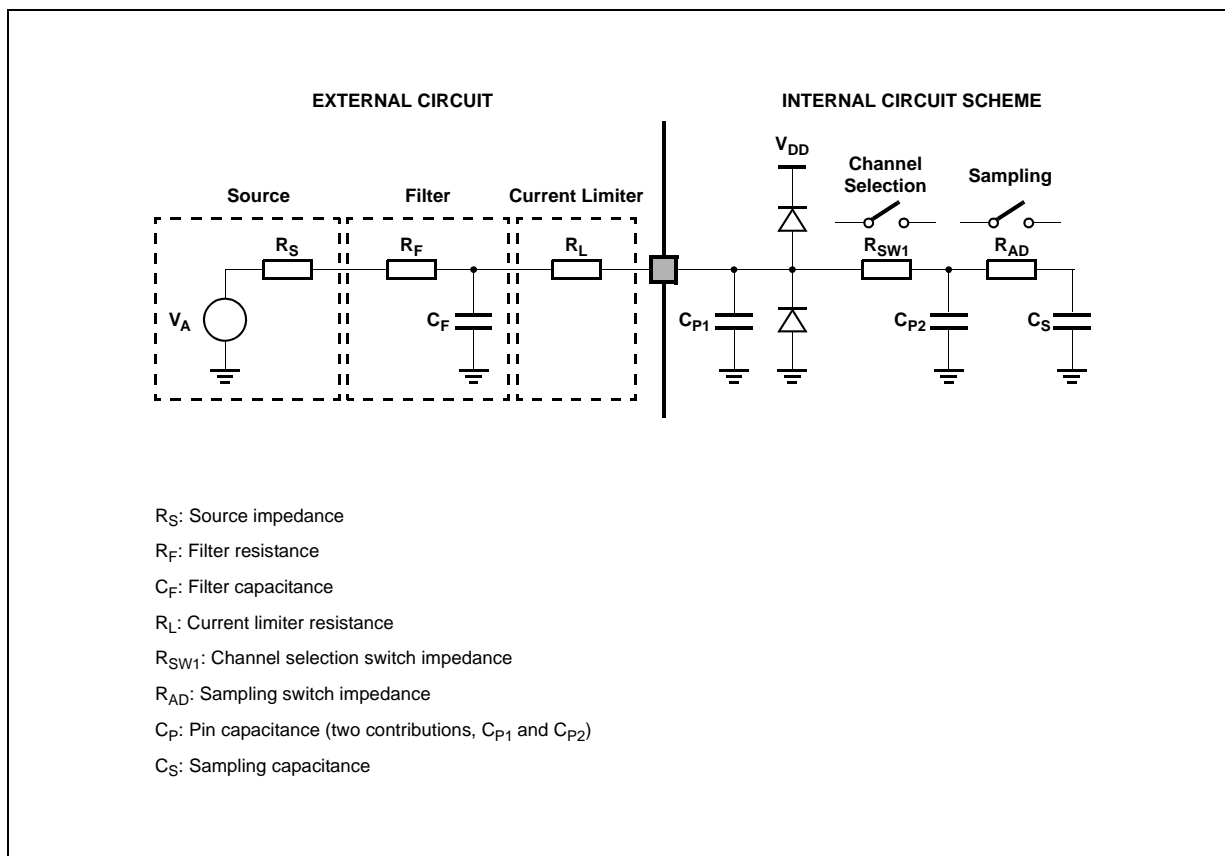
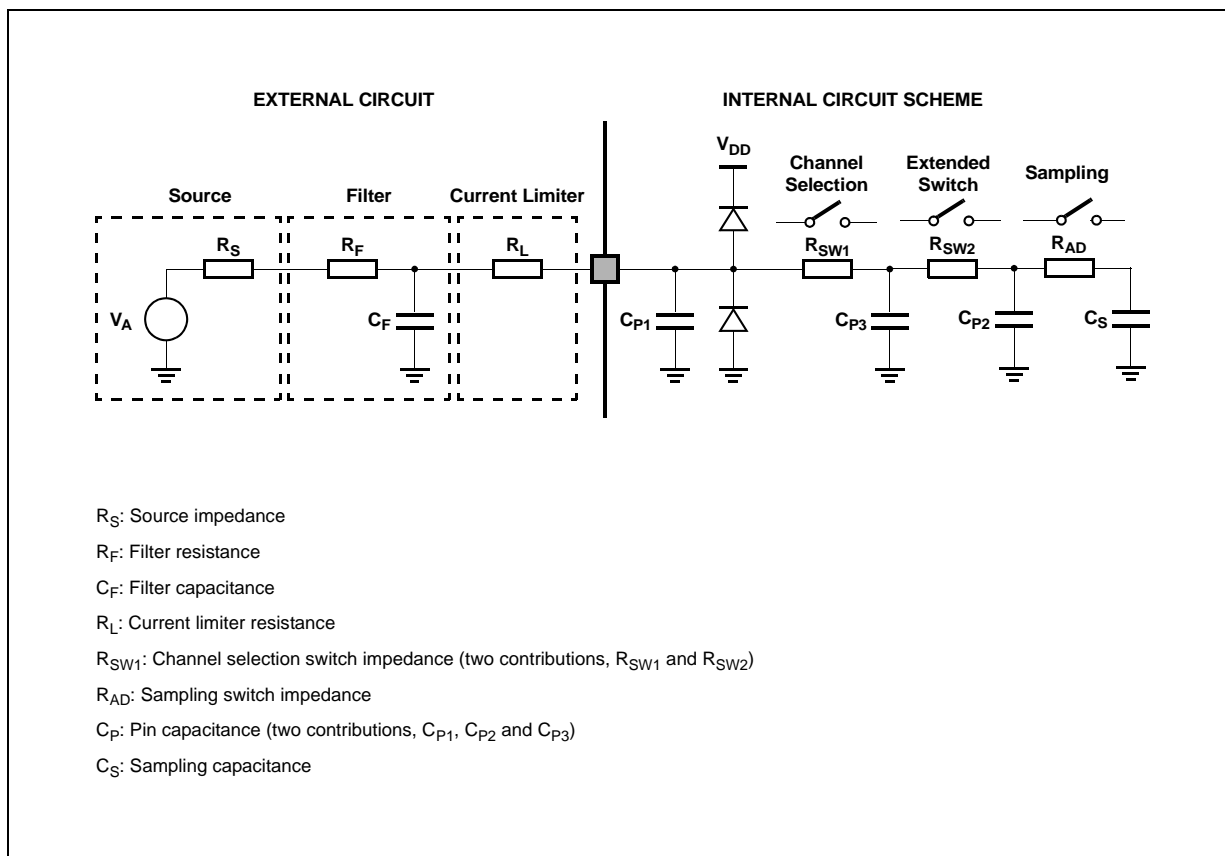


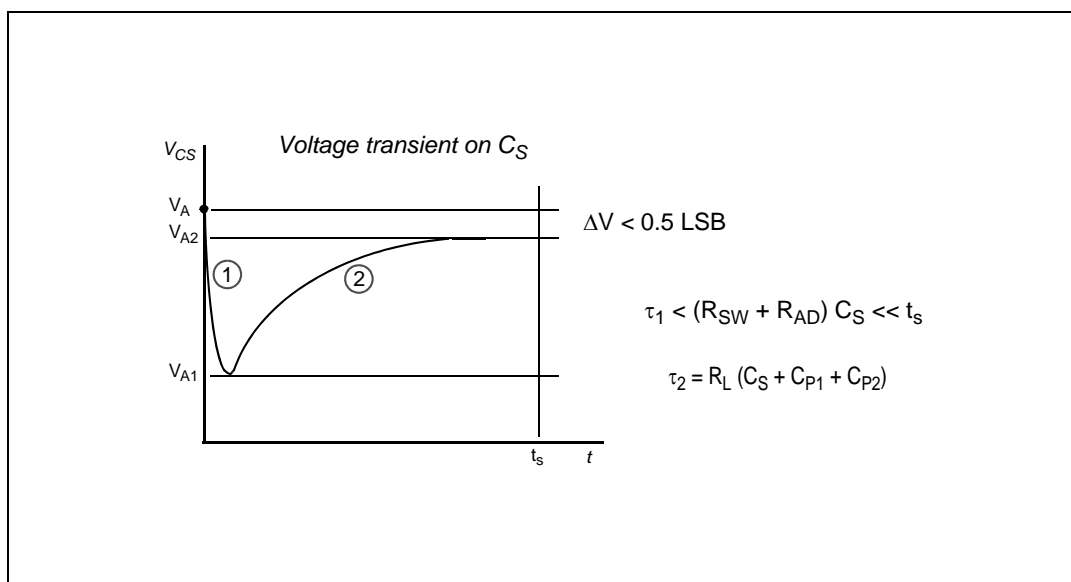
Figure 12. Input equivalent circuit (precise channels)





**Figure 13. Input equivalent circuit (extended channels)**

A second aspect involving the capacitance network shall be considered. Assuming the three capacitances  $C_F$ ,  $C_{P1}$  and  $C_{P2}$  are initially charged at the source voltage  $V_A$  (refer to the equivalent circuit in Figure 13): A charge sharing phenomenon is installed when the sampling phase is started (A/D switch close).



**Figure 14. Transient behavior during sampling phase**

## Electrical characteristics

In particular two different transient periods can be distinguished:

1. A first and quick charge transfer from the internal capacitance  $C_{P1}$  and  $C_{P2}$  to the sampling capacitance  $C_S$  occurs ( $C_S$  is supposed initially completely discharged): considering a worst case (since the time constant in reality would be faster) in which  $C_{P2}$  is reported in parallel to  $C_{P1}$  (call  $C_P = C_{P1} + C_{P2}$ ), the two capacitances  $C_P$  and  $C_S$  are in series, and the time constant is

$$\tau_1 = (R_{SW} + R_{AD}) \cdot \frac{C_P \cdot C_S}{C_P + C_S}$$

**Eqn. 5**

Equation 5 can again be simplified considering only  $C_S$  as an additional worst condition. In reality, the transient is faster, but the A/D converter circuitry has been designed to be robust also in the very worst case: the sampling time  $t_s$  is always much longer than the internal time constant:

$$\tau_1 < (R_{SW} + R_{AD}) \cdot C_S \ll t_s$$

**Eqn. 6**

The charge of  $C_{P1}$  and  $C_{P2}$  is redistributed also on  $C_S$ , determining a new value of the voltage  $V_{A1}$  on the capacitance according to Equation 7:

$$V_{A1} \cdot (C_S + C_{P1} + C_{P2}) = V_A \cdot (C_{P1} + C_{P2})$$

**Eqn. 7**

2. A second charge transfer involves also  $C_F$  (that is typically bigger than the on-chip capacitance) through the resistance  $R_L$ : again considering the worst case in which  $C_{P2}$  and  $C_S$  were in parallel to  $C_{P1}$  (since the time constant in reality would be faster), the time constant is:

$$\tau_2 < R_L \cdot (C_S + C_{P1} + C_{P2})$$

**Eqn. 8**

In this case, the time constant depends on the external circuit: in particular imposing that the transient is completed well before the end of sampling time  $t_s$ , a constraints on  $R_L$  sizing is obtained:

$$10 \cdot \tau_2 = 10 \cdot R_L \cdot (C_S + C_{P1} + C_{P2}) < t_s$$

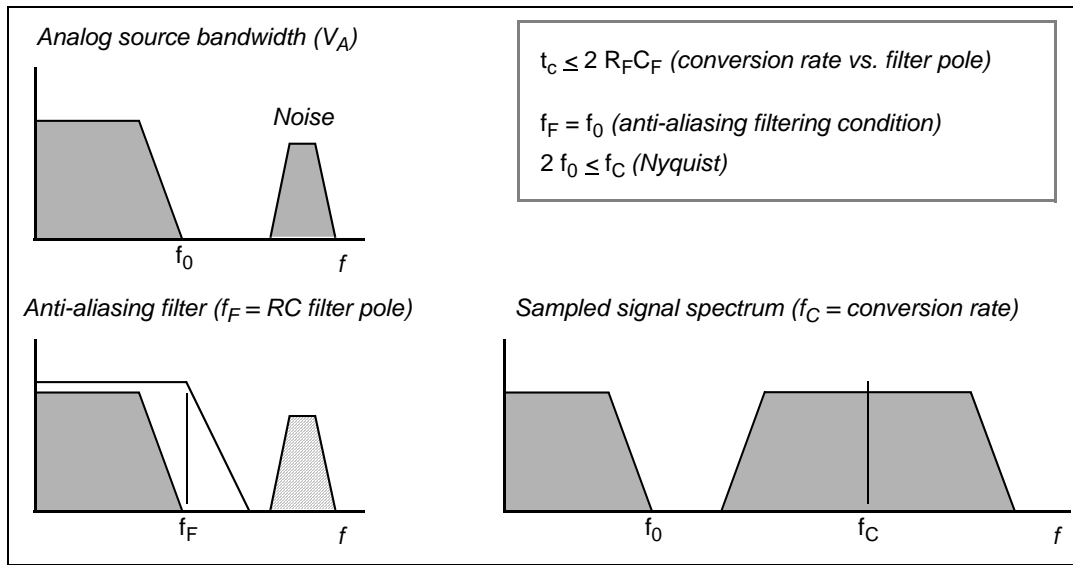
**Eqn. 9**

Of course,  $R_L$  shall be sized also according to the current limitation constraints, in combination with  $R_S$  (source impedance) and  $R_F$  (filter resistance). Being  $C_F$  definitively bigger than  $C_{P1}$ ,  $C_{P2}$  and  $C_S$ , then the final voltage  $V_{A2}$  (at the end of the charge transfer transient) will be much higher than  $V_{A1}$ . Equation 10 must be respected (charge balance assuming now  $C_S$  already charged at  $V_{A1}$ ):

$$V_{A2} \cdot (C_S + C_{P1} + C_{P2} + C_F) = V_A \cdot C_F + V_{A1} \cdot (C_{P1} + C_{P2} + C_S)$$

**Eqn. 10**

The two transients above are not influenced by the voltage source that, due to the presence of the  $R_F C_F$  filter, is not able to provide the extra charge to compensate the voltage drop on  $C_S$  with respect to the ideal source  $V_A$ ; the time constant  $R_F C_F$  of the filter is very high with respect to the sampling time ( $t_s$ ). The filter is typically designed to act as anti-aliasing.



**Figure 15. Spectral representation of input signal**

Calling  $f_0$  the bandwidth of the source signal (and as a consequence the cut-off frequency of the anti-aliasing filter,  $f_F$ ), according to the Nyquist theorem the conversion rate  $f_C$  must be at least  $2f_0$ ; it means that the constant time of the filter is greater than or at least equal to twice the conversion period ( $t_c$ ). Again the conversion period  $t_c$  is longer than the sampling time  $t_s$ , which is just a portion of it, even when fixed channel continuous conversion mode is selected (fastest conversion rate at a specific channel): in conclusion it is evident that the time constant of the filter  $R_F C_F$  is definitively much higher than the sampling time  $t_s$ , so the charge level on  $C_S$  cannot be modified by the analog signal source during the time in which the sampling switch is closed.

The considerations above lead to impose new constraints on the external circuit, to reduce the accuracy error due to the voltage drop on  $C_S$ ; from the two charge balance equations above, it is simple to derive [Equation 11](#) between the ideal and real sampled voltage on  $C_S$ :

**Eqn. 11**

$$\frac{V_{A2}}{V_A} = \frac{C_{P1} + C_{P2} + C_F}{C_{P1} + C_{P2} + C_F + C_S}$$

From this formula, in the worst case (when  $V_A$  is maximum, that is for instance 5 V), assuming to accept a maximum error of half a count, a constraint is evident on  $C_F$  value:

**Eqn. 12**

$$C_F > 2048 \cdot C_S$$

### 4.17.3 ADC electrical characteristics

**Table 40. ADC input leakage current**

Symbol	C	Parameter	Conditions	Value			Unit	
				Min	Typ	Max		
I <sub>LKG</sub>	CC	Input leakage current	T <sub>A</sub> = -40 °C	No current injection on adjacent pin	—	1	—	nA
			T <sub>A</sub> = 25 °C		—	1	—	
			T <sub>A</sub> = 105 °C		—	8	200	
			T <sub>A</sub> = 125 °C		—	45	400	

**Table 41. ADC conversion characteristics**

Symbol	C	Parameter	Conditions <sup>1</sup>	Value			Unit	
				Min	Typ	Max		
V <sub>SS_ADC</sub>	SR	—	Voltage on VSS_HV_ADC (ADC reference) pin with respect to ground (V <sub>SS</sub> ) <sup>2</sup>	—	-0.1	—	0.1	V
V <sub>DD_ADC</sub>	SR	—	Voltage on VDD_HV_ADC pin (ADC reference) with respect to ground (V <sub>SS</sub> )	—	V <sub>DD</sub> - 0.1	—	V <sub>DD</sub> + 0.1	V
V <sub>AINx</sub>	SR	—	Analog input voltage <sup>3</sup>	—	V <sub>SS_ADC</sub> - 0.1	—	V <sub>DD_ADC</sub> + 0.1	V
f <sub>ADC</sub>	SR	—	ADC analog frequency	V <sub>DD</sub> = 5.0 V	3.33	—	32 + 4%	MHz
				V <sub>DD</sub> = 3.3 V	3.33	—	20 + 4%	
Δ <sub>ADC_SYS</sub>	SR	—	ADC clock duty cycle (ipg_clk)	ADCLKSEL = 1 <sup>4</sup>	45	—	55	%
t <sub>ADC_PU</sub>	SR	—	ADC power up delay	—	—	—	1.5	μs
t <sub>s</sub>	CC	T	Sampling time <sup>5</sup> V <sub>DD</sub> = 3.3 V	f <sub>ADC</sub> = 20 MHz, INPSAMP = 12	600	—	—	ns
				f <sub>ADC</sub> = 3.33 MHz, INPSAMP = 255	—	—	76.2	μs
		T	Sampling time <sup>(5)</sup> V <sub>DD</sub> = 5.0 V	f <sub>ADC</sub> = 24 MHz, INPSAMP = 13	500	—	—	ns
				f <sub>ADC</sub> = 3.33 MHz, INPSAMP = 255	—	—	76.2	μs

Table 41. ADC conversion characteristics (continued)

Symbol	C	Parameter	Conditions <sup>1</sup>	Value			Unit		
				Min	Typ	Max			
t <sub>c</sub>	CC	P	Conversion time <sup>6</sup> V <sub>DD</sub> = 3.3 V	f <sub>ADC</sub> = 20 MHz, INPCMP = 0	2.4	—	—	μs	
				f <sub>ADC</sub> = 13.33 MHz, INPCMP = 0	—	—	3.6		
	P	Conversion time <sup>(6)</sup> V <sub>DD</sub> = 5.0 V	f <sub>ADC</sub> = 32 MHz, INPCMP = 0	1.5	—	—	μs		
			f <sub>ADC</sub> = 13.33 MHz, INPCMP = 0	—	—	3.6			
C <sub>S</sub>	CC	D	ADC input sampling capacitance	—	5			pF	
C <sub>P1</sub>	CC	D	ADC input pin capacitance 1	—	3			pF	
C <sub>P2</sub>	CC	D	ADC input pin capacitance 2	—	1			pF	
C <sub>P3</sub>	CC	D	ADC input pin capacitance 3	—	1.5			pF	
R <sub>SW1</sub>	CC	D	Internal resistance of analog source	—	—	—	1	kΩ	
R <sub>SW2</sub>	CC	D	Internal resistance of analog source	—	—	—	2	kΩ	
R <sub>AD</sub>	CC	D	Internal resistance of analog source	—	—	—	0.3	kΩ	
I <sub>INJ</sub>	SR	—	Input current Injection	Current injection on one ADC input, different from the converted one	V <sub>DD</sub> = 3.3 V ± 10%	—5	—	5	mA
					V <sub>DD</sub> = 5.0 V ± 10%	—5	—	5	
INLP	CC	T	Absolute Integral non-linearity-precise channels	No overload	—	1	3	LSB	
INLX	CC	T	Absolute Integral non-linearity-extended channels	No overload	—	1.5	5	LSB	
DNL	CC	T	Absolute Differential non-linearity	No overload	—	0.5	1	LSB	
E <sub>O</sub>	CC	T	Absolute Offset error	—	—	2	—	LSB	
E <sub>G</sub>	CC	T	Absolute Gain error	—	—	2	—	LSB	
TUEP <sup>7</sup>	CC	P	Total unadjusted error for precise channels, input only pins	Without current injection	—6	—	6	LSB	
		T		With current injection	—8	—	8		

**Table 41. ADC conversion characteristics (continued)**

Symbol	C	Parameter	Conditions <sup>1</sup>	Value			Unit	
				Min	Typ	Max		
TUEX <sup>(7)</sup>	CC	T	Total unadjusted error for extended channel	Without current injection	-10		10	LSB
				With current injection	-12		12	

<sup>1</sup>  $V_{DD} = 3.3\text{ V} \pm 10\% / 5.0\text{ V} \pm 10\%$ ,  $T_A = -40$  to  $125\text{ }^\circ\text{C}$ , unless otherwise specified.

<sup>2</sup> Analog and digital  $V_{SS}$  **must** be common (to be tied together externally).

<sup>3</sup>  $V_{AINx}$  may exceed  $V_{SS\_ADC}$  and  $V_{DD\_ADC}$  limits, remaining on absolute maximum ratings, but the results of the conversion will be clamped respectively to 0x000 or 0xFFFF.

<sup>4</sup> Duty cycle is ensured by using system clock without prescaling. When ADCLKSEL = 0, the duty cycle is ensured by internal divider by 2.

<sup>5</sup> During the sampling time the input capacitance  $C_S$  can be charged/discharged by the external source. The internal resistance of the analog source must allow the capacitance to reach its final voltage level within  $t_S$ . After the end of the sampling time  $t_S$ , changes of the analog input voltage have no effect on the conversion result. Values for the sample clock  $t_S$  depend on programming.

<sup>6</sup> This parameter does not include the sampling time  $t_S$ , but only the time for determining the digital result and the time to load the result's register with the conversion result.

<sup>7</sup> Total Unadjusted Error: The maximum error that occurs without adjusting Offset and Gain errors. This error is a combination of Offset, Gain and Integral Linearity errors.

## 4.18 On-chip peripherals

### 4.18.1 Current consumption

**Table 42. On-chip peripherals current consumption<sup>1</sup>**

Symbol	C	Parameter	Conditions	Typical value <sup>2</sup>	Unit		
$I_{DD\_BV(CAN)}$	CC	T	CAN (FlexCAN) supply current on $V_{DD\_BV}$	500 Kbyte/s	Total (static + dynamic) consumption: <ul style="list-style-type: none"> <li>FlexCAN in loop-back mode</li> <li>XTAL at 8 MHz used as CAN engine clock source</li> <li>Message sending period is 580 <math>\mu\text{s}</math></li> </ul>	$8 \times f_{\text{periph}} + 85$	$\mu\text{A}$
				125 Kbyte/s		$8 \times f_{\text{periph}} + 27$	$\mu\text{A}$
$I_{DD\_BV(eMIOS)}$	CC	T	eMIOS supply current on $V_{DD\_BV}$	Static consumption: <ul style="list-style-type: none"> <li>eMIOS channel OFF</li> <li>Global prescaler enabled</li> </ul>	$29 \times f_{\text{periph}}$	$\mu\text{A}$	
				Dynamic consumption: <ul style="list-style-type: none"> <li>It does not change varying the frequency (0.003 mA)</li> </ul>	3	$\mu\text{A}$	
$I_{DD\_BV(SCI)}$	CC	T	SCI (LINFlex) supply current on $V_{DD\_BV}$	Total (static + dynamic) consumption: <ul style="list-style-type: none"> <li>LIN mode</li> <li>Baudrate: 20 Kbyte/s</li> </ul>	$5 \times f_{\text{periph}} + 31$	$\mu\text{A}$	

**Table 42. On-chip peripherals current consumption<sup>1</sup> (continued)**

Symbol	C	Parameter	Conditions		Typical value <sup>2</sup>	Unit	
I <sub>DD_BV(SPI)</sub>	CC	T	SPI (DSPI) supply current on V <sub>DD_BV</sub>	Ballast static consumption (only clocked)	1	μA	
				Ballast dynamic consumption (continuous communication):	16 × f <sub>periph</sub>	μA	
				<ul style="list-style-type: none"> <li>• Baudrate: 2 Mbit/s</li> <li>• Transmission every 8 μs</li> <li>• Frame: 16 bits</li> </ul>			
I <sub>DD_BV(ADC)</sub>	CC	T	ADC supply current on V <sub>DD_BV</sub>	V <sub>DD</sub> = 5.5 V	Ballast static consumption (no conversion)	41 × f <sub>periph</sub>	μA
					Ballast dynamic consumption (continuous conversion) <sup>3</sup>	5 × f <sub>periph</sub>	μA
I <sub>DD_HV_ADC(ADC)</sub>	CC	T	ADC supply current on V <sub>DD_HV_ADC</sub>	V <sub>DD</sub> = 5.5 V	Analog static consumption (no conversion)	2 × f <sub>periph</sub>	μA
					Analog dynamic consumption (continuous conversion)	75 × f <sub>periph</sub> + 32	μA
I <sub>DD_HV(FLASH)</sub>	CC	T	CFlash + DFlash supply current on V <sub>DD_HV</sub>	V <sub>DD</sub> = 5.5 V	—	8.21	mA
I <sub>DD_HV(PLL)</sub>	CC	T	PLL supply current on V <sub>DD_HV</sub>	V <sub>DD</sub> = 5.5 V	—	30 × f <sub>periph</sub>	μA

<sup>1</sup> Operating conditions: T<sub>A</sub> = 25 °C, f<sub>periph</sub> = 8 MHz to 48 MHz

<sup>2</sup> f<sub>periph</sub> is an absolute value.

<sup>3</sup> During the conversion, the total current consumption is given from the sum of the static and dynamic consumption, i.e., (41 + 5) × f<sub>periph</sub>.

## 4.18.2 DSPI characteristics

**Table 43. DSPI characteristics<sup>1</sup>**

No.	Symbol	C	Parameter		DSPI0/DSPI1			Unit	
					Min	Typ	Max		
1	t <sub>SCK</sub>	SR	D	SCK cycle time	Master mode (MTFE = 0)	125	—	—	ns
					Slave mode (MTFE = 0)	125	—	—	
					Master mode (MTFE = 1)	83	—	—	
					Slave mode (MTFE = 1)	83	—	—	
—	f <sub>DSPI</sub>	SR	D	DSPI digital controller frequency	—	—	f <sub>CPU</sub>	MHz	

Table 43. DSPI characteristics<sup>1</sup> (continued)

No.	Symbol	C	D	Parameter	DSPI0/DSPI1			Unit	
					Min	Typ	Max		
—	$\Delta t_{CSC}$	CC	D	Internal delay between pad associated to SCK and pad associated to CSn in master mode	Master mode	—	—	130 <sup>2</sup>	ns
—	$\Delta t_{ASC}$	CC	D	Internal delay between pad associated to SCK and pad associated to CSn in master mode for CSn1→1	Master mode	—	—	130 <sup>(2)</sup>	ns
2	$t_{CSCext}$ <sup>3</sup>	SR	D	CS to SCK delay	Slave mode	32	—	—	ns
3	$t_{ASCext}$ <sup>4</sup>	SR	D	After SCK delay	Slave mode	$1/f_{DSPI} + 5$	—	—	ns
4	$t_{SDC}$	CC	D	SCK duty cycle	Master mode	—	$t_{SCK}/2$	—	ns
		SR	D		Slave mode	$t_{SCK}/2$	—	—	
5	$t_A$	SR	D	Slave access time	—	$1/f_{DSPI} + 70$	—	—	ns
6	$t_{DI}$	SR	D	Slave SOUT disable time	—	7	—	—	ns
7	$t_{PCSC}$	SR	D	PCSx to $\overline{PCSS}$ time	—	0	—	—	ns
8	$t_{PASC}$	SR	D	$\overline{PCSS}$ to PCSx time	—	0	—	—	ns
9	$t_{SUI}$	SR	D	Data setup time for inputs	Master mode	43	—	—	ns
					Slave mode	5	—	—	
10	$t_{HI}$	SR	D	Data hold time for inputs	Master mode	0	—	—	ns
					Slave mode	2 <sup>5</sup>	—	—	
11	$t_{SUO}$ <sup>6</sup>	CC	D	Data valid after SCK edge	Master mode	—	—	32	ns
					Slave mode	—	—	52	
12	$t_{HO}$ <sup>(6)</sup>	CC	D	Data hold time for outputs	Master mode	0	—	—	ns
					Slave mode	8	—	—	

<sup>1</sup> Operating conditions:  $C_{OUT} = 10$  to  $50$  pF,  $Slew_{IN} = 3.5$  to  $15$  ns

<sup>2</sup> Maximum is reached when CSn pad is configured as SLOW pad while SCK pad is configured as MEDIUM pad

<sup>3</sup> The  $t_{CSC}$  delay value is configurable through a register. When configuring  $t_{CSC}$  (using PCSSCK and CSSCK fields in DSPI\_CTARx registers), delay between internal CS and internal SCK must be higher than  $\Delta t_{CSC}$  to ensure positive  $t_{CSCext}$ .

<sup>4</sup> The  $t_{ASC}$  delay value is configurable through a register. When configuring  $t_{ASC}$  (using PASC and ASC fields in DSPI\_CTARx registers), delay between internal CS and internal SCK must be higher than  $\Delta t_{ASC}$  to ensure positive  $t_{ASCext}$ .

<sup>5</sup> This delay value corresponds to SMPL\_PT = 00b which is bit field 9 and 8 of DSPI\_MCR.

<sup>6</sup> SCK and SOUT configured as MEDIUM pad



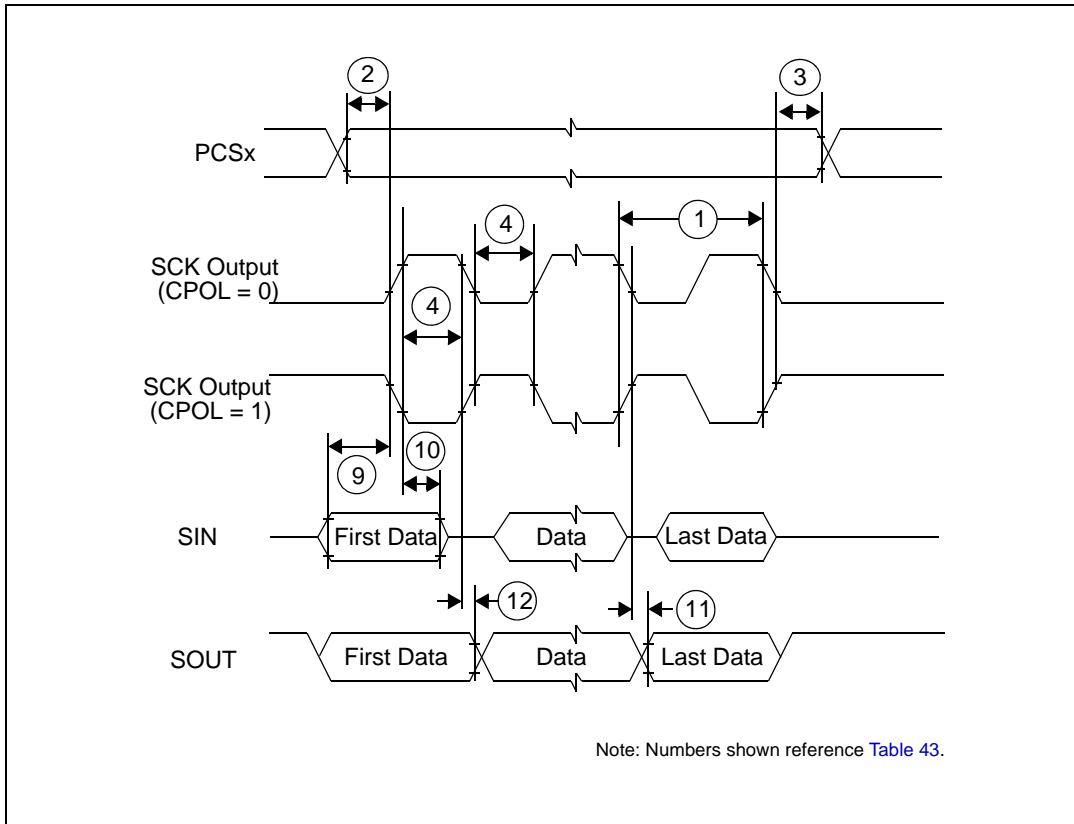


Figure 16. DSPI classic SPI timing – master, CPHA = 0

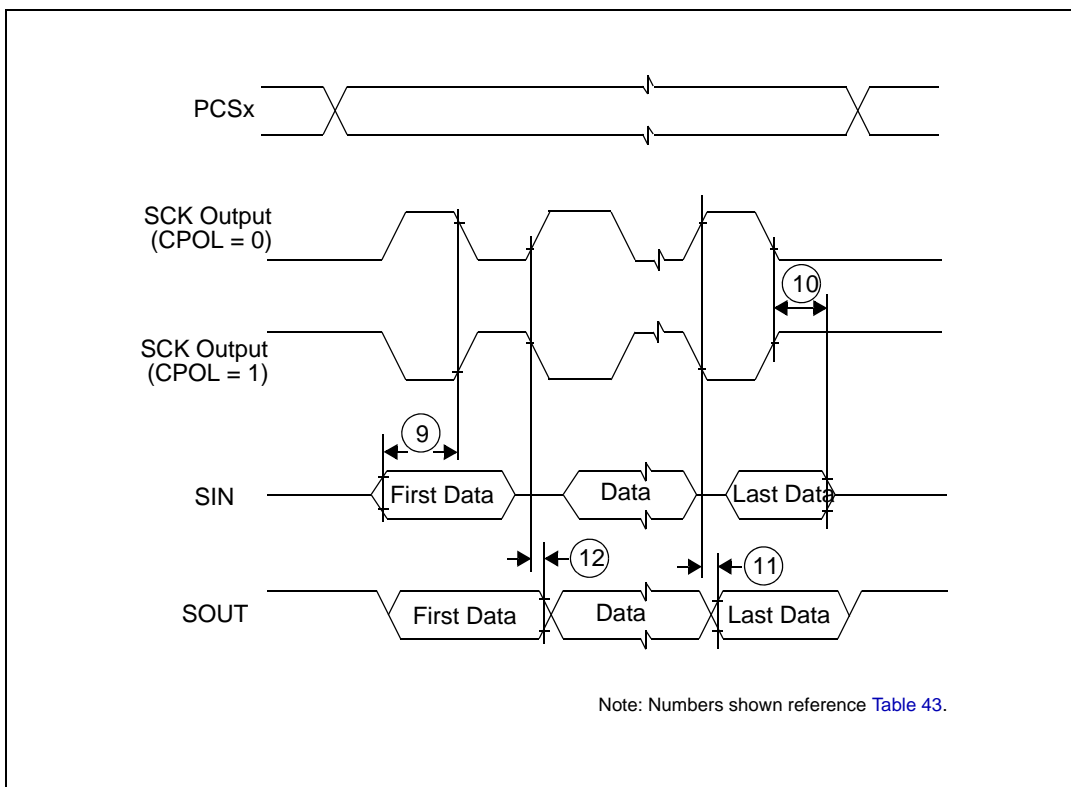


Figure 17. DSPI classic SPI timing – master, CPHA = 1

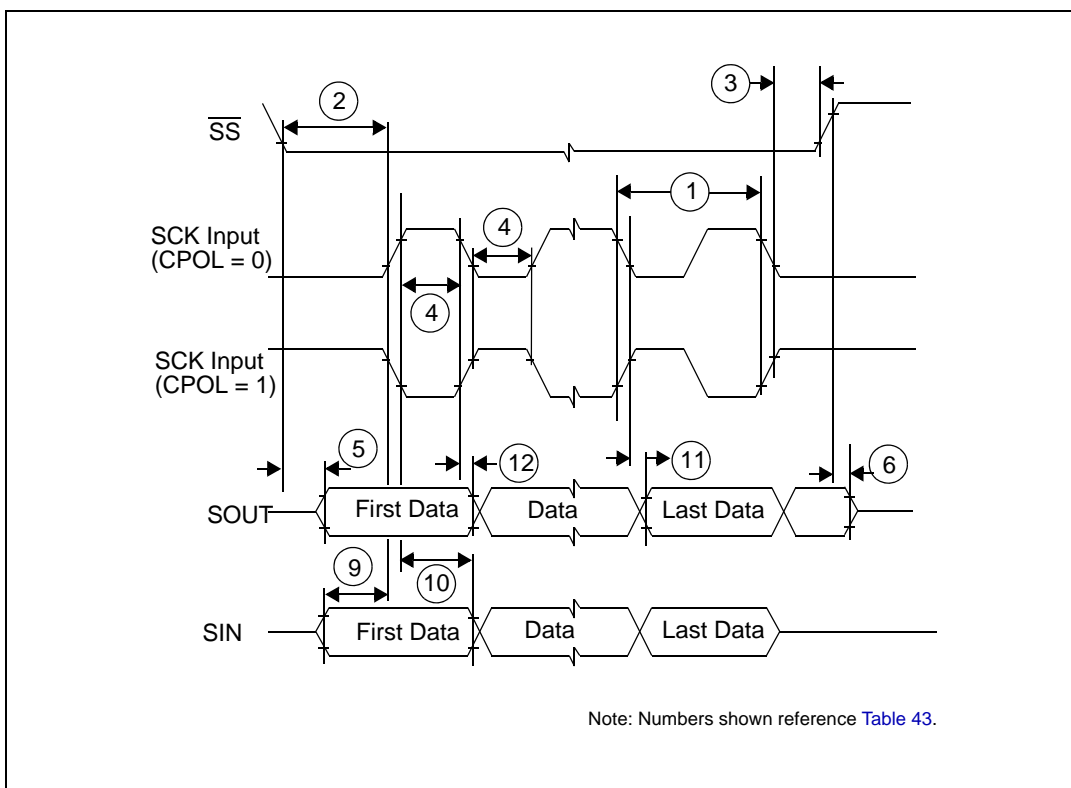


Figure 18. DSPI classic SPI timing – slave, CPHA = 0



**Figure 19. DSPI classic SPI timing – slave, CPHA = 1**



**Figure 20. DSPI modified transfer format timing – master, CPHA = 0**

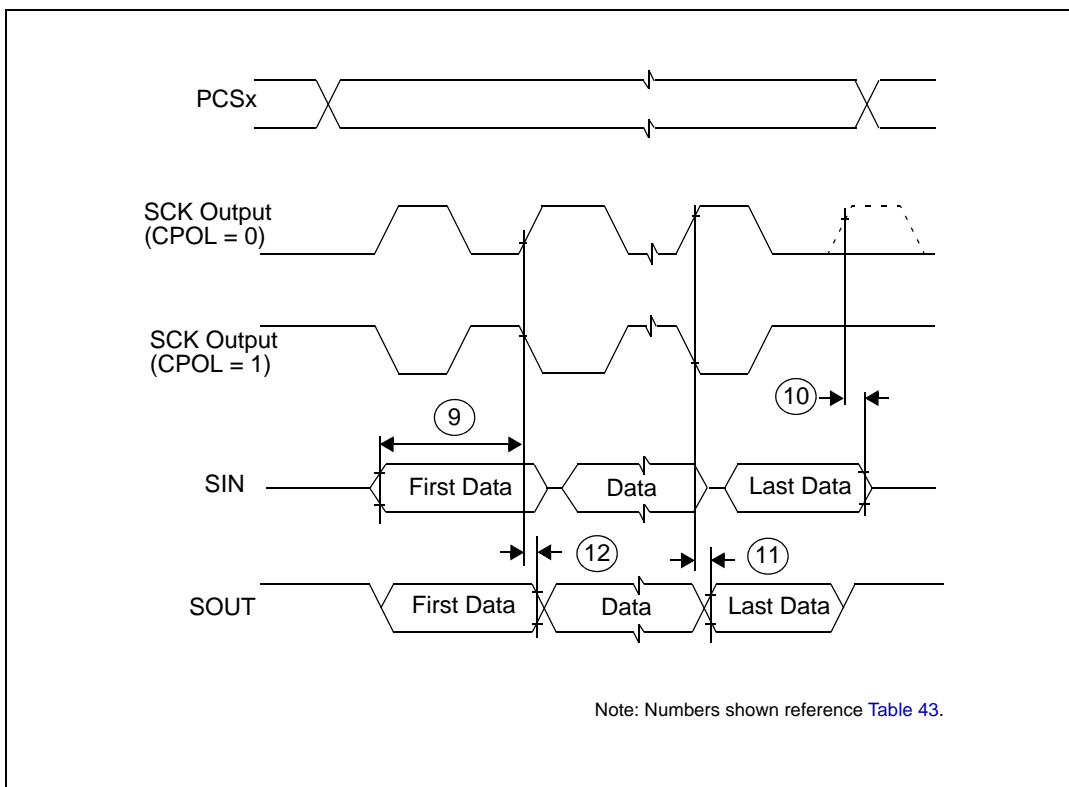


Figure 21. DSPI modified transfer format timing – master, CPHA = 1

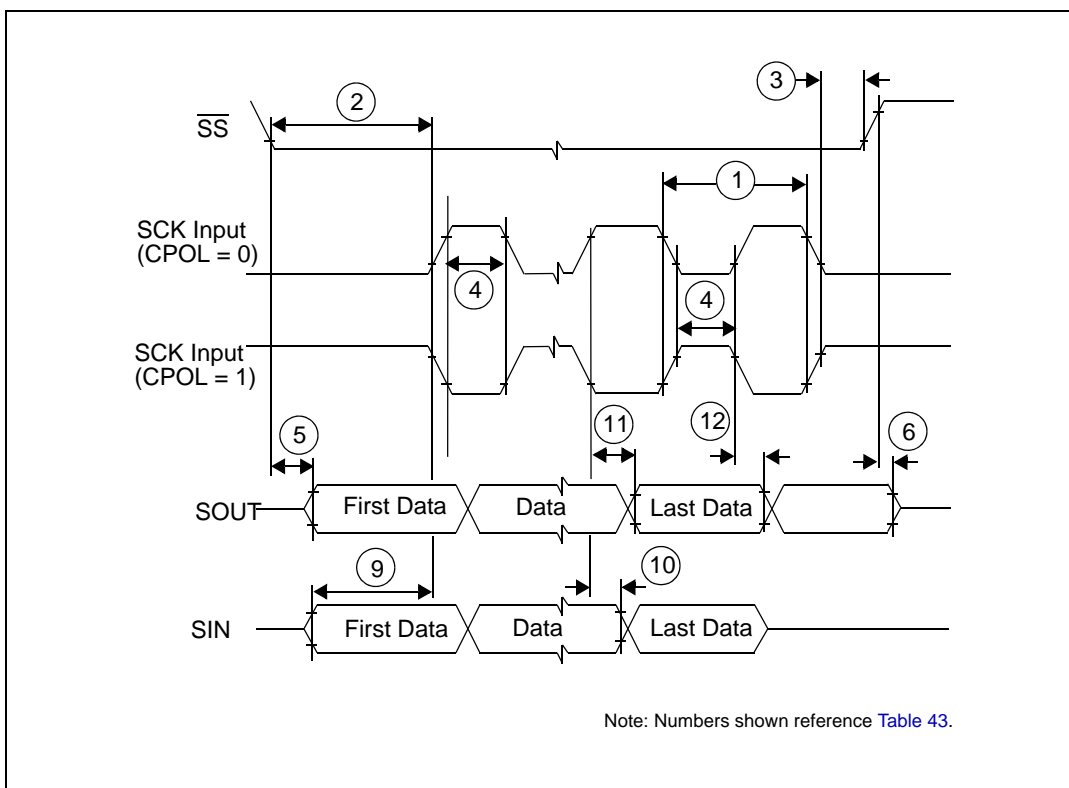


Figure 22. DSPI modified transfer format timing – slave, CPHA = 0

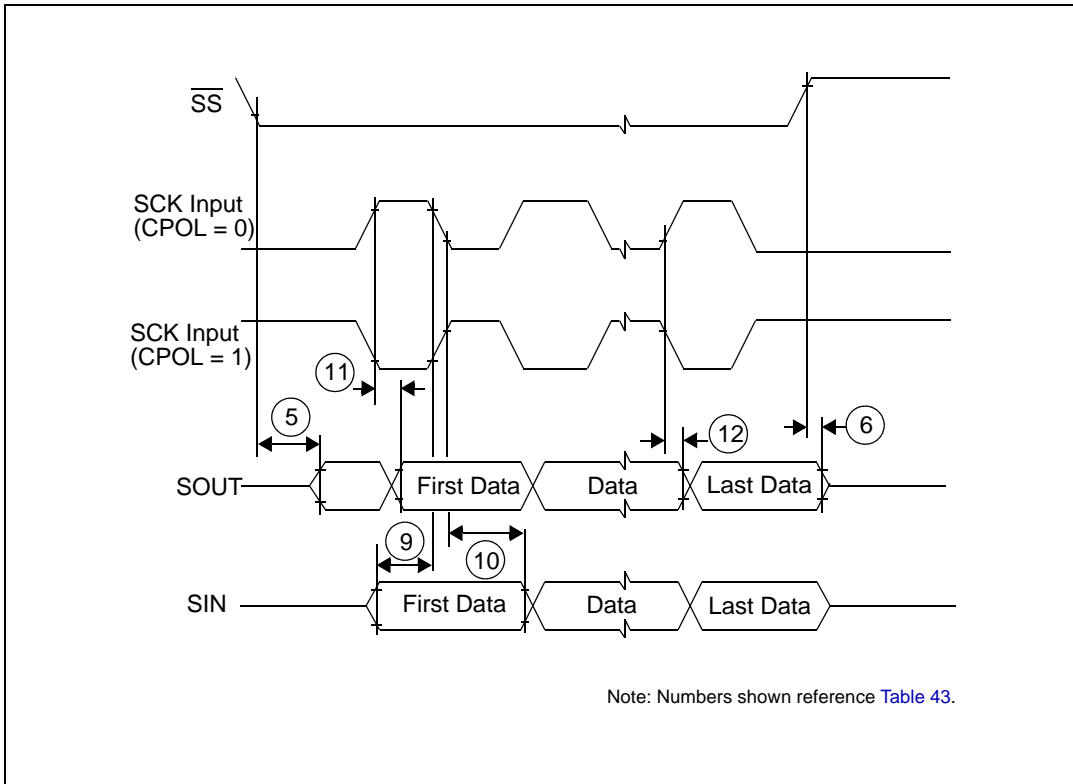


Figure 23. DSPI modified transfer format timing – slave, CPHA = 1

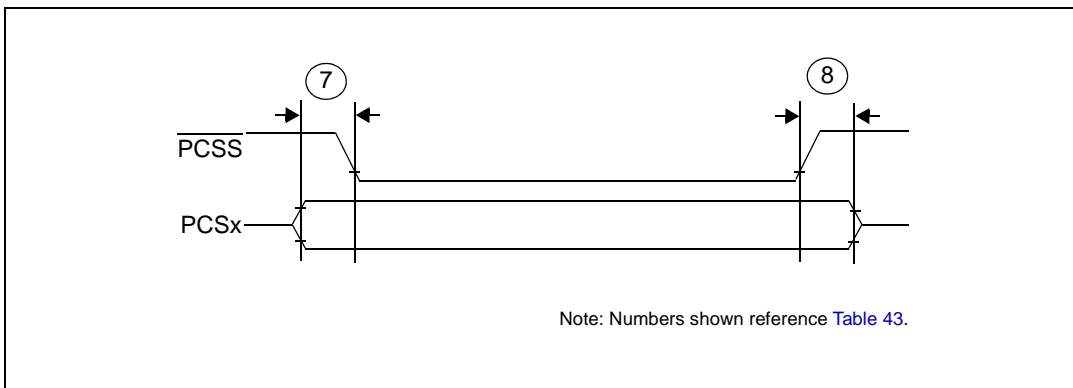


Figure 24. DSPI PCS strobe (PCSS) timing

### 4.18.3 JTAG characteristics

Table 44. JTAG characteristics

No.	Symbol	C	Parameter	Value			Unit	
				Min	Typ	Max		
1	$t_{JCYC}$	CC	D	TCK cycle time	83.33	—	—	ns
2	$t_{TDIS}$	CC	D	TDI setup time	15	—	—	ns
3	$t_{TDIH}$	CC	D	TDI hold time	5	—	—	ns
4	$t_{TMSS}$	CC	D	TMS setup time	15	—	—	ns
5	$t_{TMSH}$	CC	D	TMS hold time	5	—	—	ns
6	$t_{TDOV}$	CC	D	TCK low to TDO valid	—	—	49	ns
7	$t_{TDOI}$	CC	D	TCK low to TDO invalid	6	—	—	ns



Figure 25. Timing diagram – JTAG boundary scan

## 5 Package characteristics

### 5.1 Package mechanical data

#### 5.1.1 100 LQFP



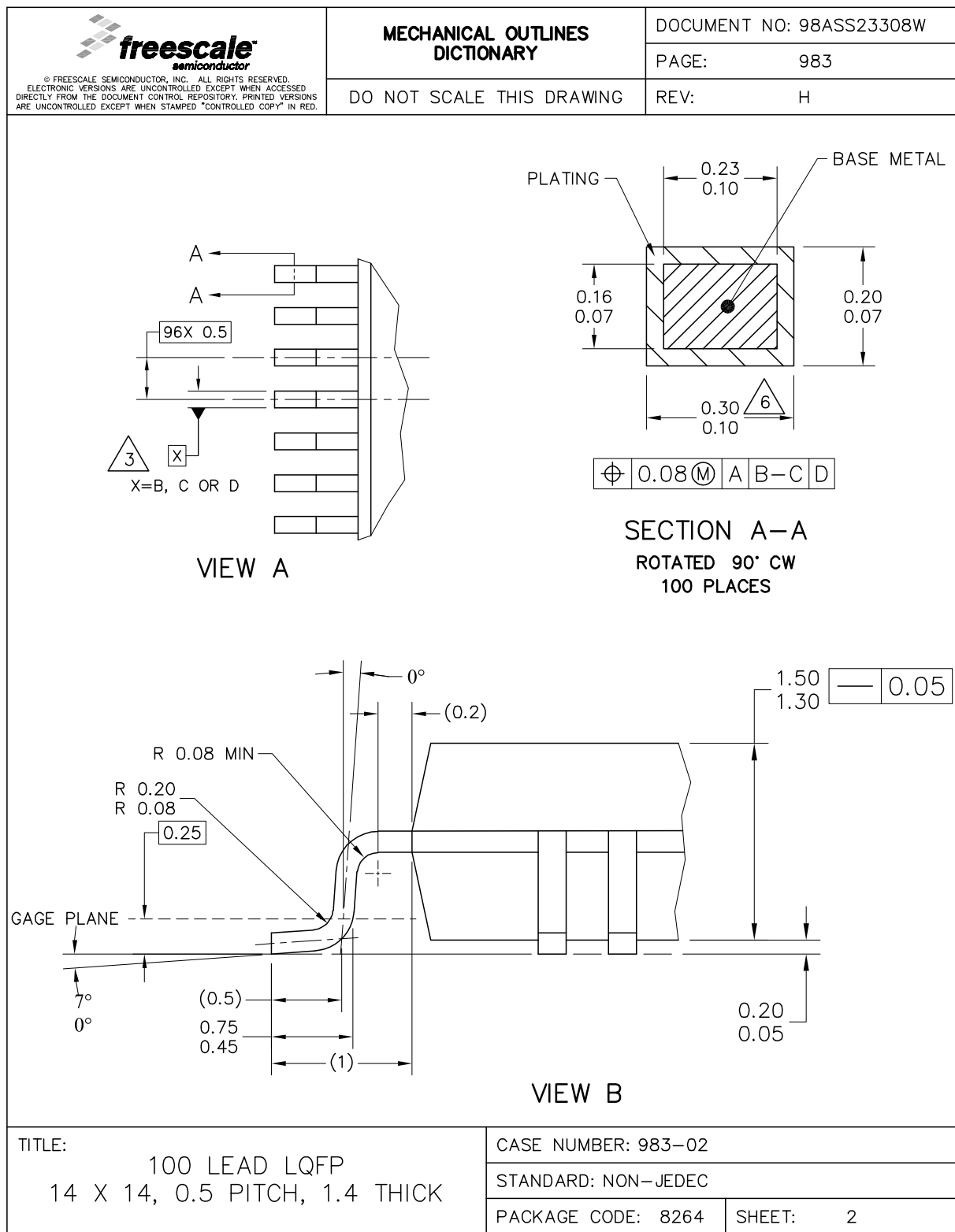


Figure 27. 100 LQFP package mechanical drawing (Part 2 of 3)



<p>© FREESCALE SEMICONDUCTOR, INC. ALL RIGHTS RESERVED. ELECTRONIC VERSIONS ARE UNCONTROLLED EXCEPT WHEN ACCESSED DIRECTLY FROM THE DOCUMENT CONTROL REPOSITORY. PRINTED VERSIONS ARE UNCONTROLLED EXCEPT WHEN STAMPED "CONTROLLED COPY" IN RED.</p>	<b>MECHANICAL OUTLINES DICTIONARY</b>		DOCUMENT NO: 98ASS23308W	
			PAGE:	983
	DO NOT SCALE THIS DRAWING		REV:	H
<p>NOTES:</p> <ol style="list-style-type: none"> <li>1. ALL DIMENSIONS ARE IN MILLIMETERS.</li> <li>2. INTERPRET DIMENSIONS AND TOLERANCES PER ASME Y14.5M-1994.</li> <li>3. DATUMS B, C AND D TO BE DETERMINED AT DATUM PLANE H.</li> <li>4. THE TOP PACKAGE BODY SIZE MAY BE SMALLER THAN THE BOTTOM PACKAGE SIZE BY A MAXIMUM OF 0.1 MM.</li> <li>5. DIMENSIONS DO NOT INCLUDE MOLD PROTRUSIONS. THE MAXIMUM ALLOWABLE PROTRUSION IS 0.25 mm PER SIDE. THE DIMENSIONS ARE MAXIMUM BODY SIZE DIMENSIONS INCLUDING MOLD MISMATCH.</li> <li>6. DIMENSION DOES NOT INCLUDE DAM BAR PROTRUSION. PROTRUSIONS SHALL NOT CAUSE THE LEAD WIDTH TO EXCEED 0.35. MINIMUM SPACE BETWEEN PROTRUSION AND AN ADJACENT LEAD SHALL BE 0.07 MM.</li> <li>7. DIMENSIONS ARE DETERMINED AT THE SEATING PLANE, DATUM A.</li> </ol>				
TITLE:		CASE NUMBER: 983-02		
<p style="text-align: center;">100 LEAD LQFP 14 X 14, 0.5 PITCH, 1.4 THICK</p>		STANDARD: NON-JEDEC		
		PACKAGE CODE: 8264	SHEET:	3

**Figure 28. 100 LQFP package mechanical drawing (Part 3 of 3)**

### 5.1.2 64 LQFP

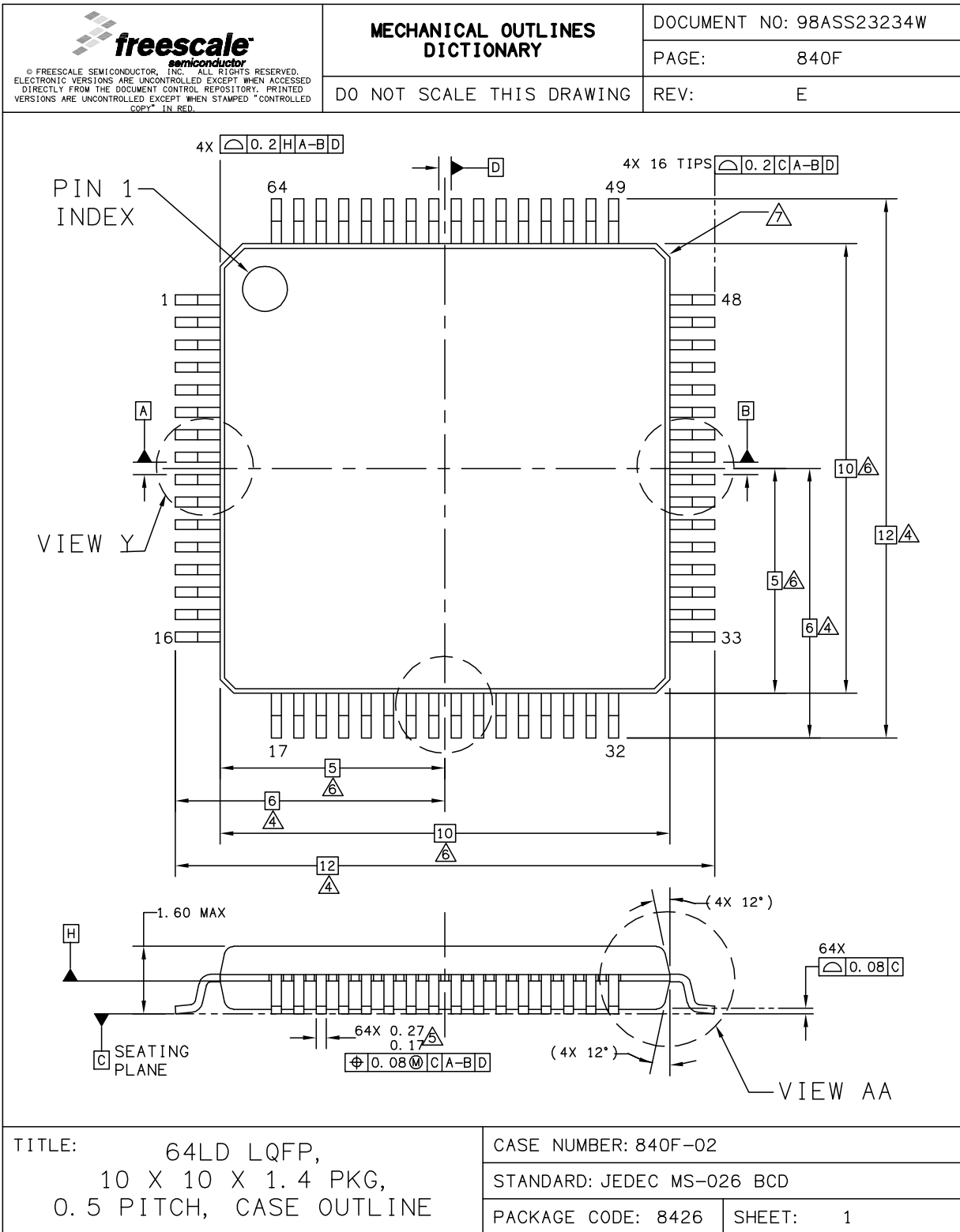


Figure 29. 64 LQFP mechanical drawing (part 1 of 3)

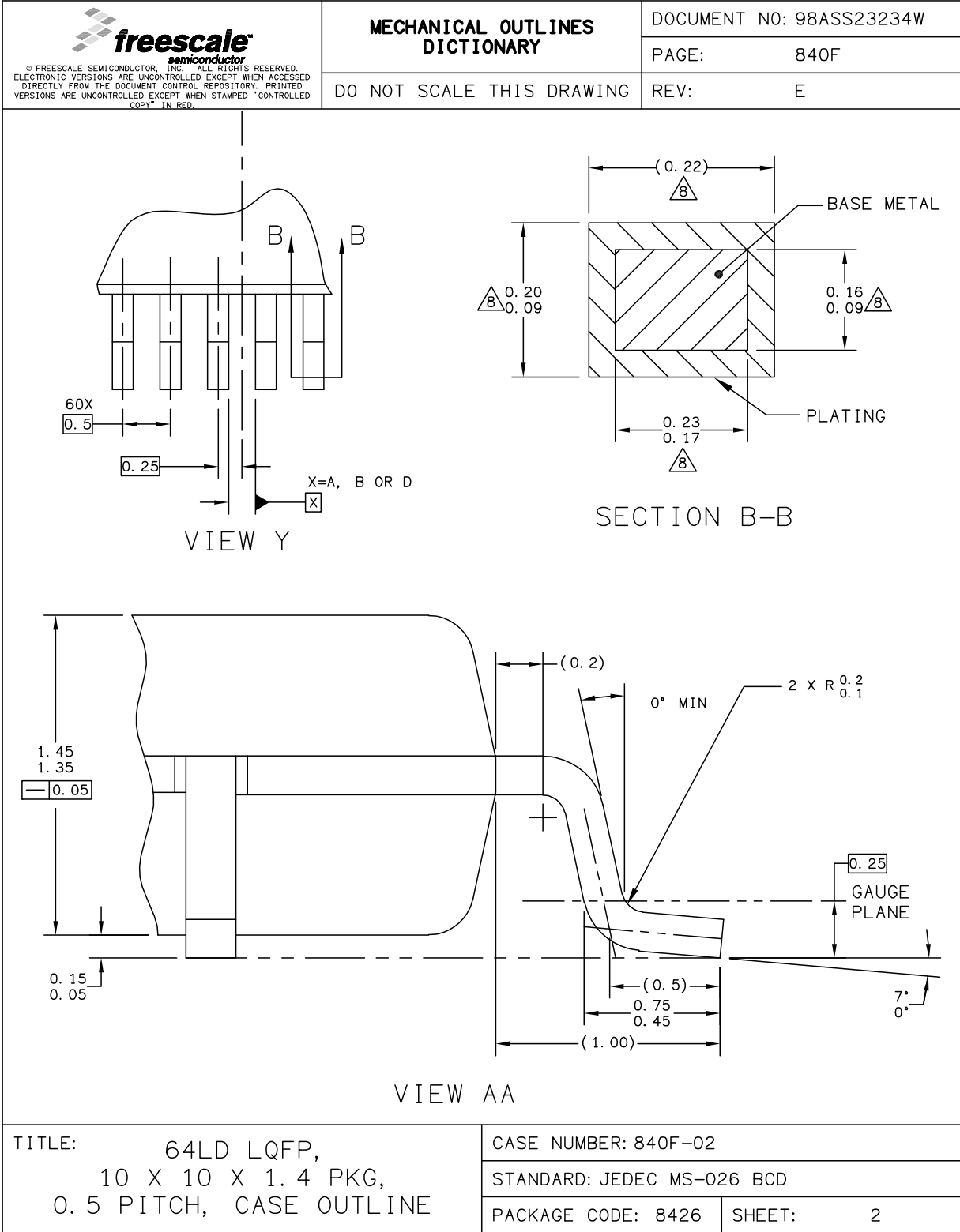


Figure 30. 64 LQFP mechanical drawing (part 2 of 3)

Package characteristics

<p>© FREESCALE SEMICONDUCTOR, INC. ALL RIGHTS RESERVED. ELECTRONIC VERSIONS ARE UNCONTROLLED EXCEPT WHEN ACCESSED DIRECTLY FROM THE DOCUMENT CONTROL REPOSITORY. PRINTED VERSIONS ARE UNCONTROLLED EXCEPT WHEN STAMPED "CONTROLLED COPY" IN RED.</p>	<b>MECHANICAL OUTLINES DICTIONARY</b>	DOCUMENT NO: 98ASS23234W	
	<b>DO NOT SCALE THIS DRAWING</b>	PAGE:	840F
		REV:	E
<p>NOTES:</p> <ol style="list-style-type: none"> <li>1. DIMENSIONS ARE IN MILLIMETERS.</li> <li>2. DIMENSIONING AND TOLERANCING PER ASME Y14.5M-1994.</li> <li>3. DATUMS A, B AND D TO BE DETERMINED AT DATUM PLANE H.</li> <li>4. DIMENSIONS TO BE DETERMINED AT SEATING PLANE C.</li> <li>5. THIS DIMENSION DOES NOT INCLUDE DAMBAR PROTRUSION. ALLOWABLE DAMBAR PROTRUSION SHALL NOT CAUSE THE LEAD WIDTH TO EXCEED THE UPPER LIMIT BY MORE THAN 0.08 mm AT MAXIMUM MATERIAL CONDITION. DAMBAR CANNOT BE LOCATED ON THE LOWER RADIUS OR THE FOOT. MINIMUM SPACE BETWEEN PROTRUSION AND ADJACENT LEAD SHALL NOT BE LESS THAN 0.07 mm.</li> <li>6. THIS DIMENSION DOES NOT INCLUDE MOLD PROTRUSION. ALLOWABLE PROTRUSION IS 0.25 mm PER SIDE. THIS DIMENSION IS MAXIMUM PLASTIC BODY SIZE DIMENSION INCLUDING MOLD MISMATCH.</li> <li>7. EXACT SHAPE OF EACH CORNER IS OPTIONAL.</li> <li>8. THESE DIMENSIONS APPLY TO THE FLAT SECTION OF THE LEAD BETWEEN 0.1 mm AND 0.25 mm FROM THE LEAD TIP.</li> </ol>			
TITLE: 64LD LQFP, 10 X 10 X 1.4 PKG, 0.5 PITCH, CASE OUTLINE		CASE NUMBER: 840F-02	
		STANDARD: JEDEC MS-026 BCD	
		PACKAGE CODE: 8426	SHEET: 3

Figure 31. 64 LQFP mechanical drawing (part 3 of 3)



## 7 Document revision history

Table 45 summarizes revisions to this document.

**Table 45. Revision history**

Revision	Date	Description of Changes
1	30 Sep 2009	Initial release
2	18 Feb 2010	Updated the following tables: <ul style="list-style-type: none"> <li>- Absolute maximum ratings</li> <li>- Low voltage power domain electrical characteristics;</li> <li>- On-chip peripherals current consumption</li> <li>- DSPI characteristics;</li> <li>- JTAG characteristics;</li> <li>- ADC conversion characteristics;</li> </ul> Inserted a note on “Flash power supply DC characteristics” section.
3	10 Aug 2010	<p>“Features” section: Updated information concerning eMIOS, ADC, LINFlex, Nexus and low power capabilities</p> <p>“MPC5602D device comparison” table: updated the “Execution speed” row</p> <p>“MPC5602D series block diagram” figure:</p> <ul style="list-style-type: none"> <li>• updated max number of Crossbar Switches</li> <li>• updated Legend</li> </ul> <p>“MPC5602D series block summary” table: added contents concernig the eDMA block</p> <p>“100 LQFP pin configuration (top view)” figure:</p> <ul style="list-style-type: none"> <li>• removed alternate functions</li> <li>• updated supply pins</li> </ul> <p>“64 LQFP pin configuration (top view)” figure: removed alternate functions</p> <p>Added “Pin muxing” section</p> <p>“NVUSRO register” section: Deleted “NVUSRO[WATCHDOG_EN] field description” section</p> <p>“Recommended operating conditions (3.3 V)” table:</p> <ul style="list-style-type: none"> <li>• <math>T_{V_{DD}}</math>: deleted min value</li> <li>• In footnote No. 3, changed capacitance value between <math>V_{DD\_BV}</math> and <math>V_{SS\_LV}</math></li> </ul> <p>“Recommended operating conditions (5.0 V)” table: deleted <math>T_{V_{DD}}</math> min value</p> <p>“LQFP thermal characteristics” table: changed <math>R_{\theta_{JC}}</math> values</p> <p>“I/O input DC electrical characteristics” table:</p> <ul style="list-style-type: none"> <li>• <math>W_{FI}</math>: updated max value</li> <li>• <math>W_{NFI}</math>: updated min value</li> </ul> <p>“I/O consumption” table: removed <math>I_{DYNSEG}</math> row</p> <p>Added “I/O weight” table</p> <p>“Program and erase specifications (Code Flash)” table: deleted <math>T_{Bank\_C}</math> row</p> <p>Updated the following tables:</p> <ul style="list-style-type: none"> <li>• “Voltage regulator electrical characteristics”</li> <li>• “Low voltage monitor electrical characteristics”</li> <li>• “Low voltage power domain electrical characteristics”</li> <li>• “Start-up time/Switch-off time”</li> <li>• “Fast external crystal oscillator (4 to 16 MHz) electrical characteristics”</li> <li>• “FMPLL electrical characteristics”</li> <li>• “Fast internal RC oscillator (16 MHz) electrical characteristics”</li> <li>• “ADC conversion characteristics”</li> <li>• “On-chip peripherals current consumption”</li> <li>• “DSPI characteristics”</li> </ul> <p>“DSPI characteristics” section: removed “DSPI PCS strobe (PCSS) timing” figure</p>
3 (continued)	10 Aug 2010	“Ordering information” section: removed “Orderable part number summary” table

**Table 45. Revision history (continued)**

Revision	Date	Description of Changes
3.1	23 Feb 2011	Deleted the "Freescale Confidential Proprietary" label (the document is public)

**Table 45. Revision history (continued)**

Revision	Date	Description of Changes
4	14 Jul 2011	<p>Formatting and editorial changes throughout</p> <p>Device comparison table: for the "Total timer I/O eMIOS", changed "13 ch" to "14 ch"</p> <p>Features: Replaced "e200z0" with "e200z0h"; added an explanation of which LINFlex modules support master mode and slave</p> <p>MPC5601D/MPC5602D series block summary:</p> <ul style="list-style-type: none"> <li>added definition for "AUTOSAR" acronym</li> </ul> <p>changed "System watchdog timer" to "Software watchdog timer"</p> <p>64 LQFP pin configuration (top view): changed pin 6 from VPP_TEST to VSS_HV</p> <p>Added section "Pad configuration during reset phases"</p> <p>Added section "Voltage supply pins"</p> <p>Added section "Pad types"</p> <p>Added section "System pins"</p> <p>Renamed and updated section "Functional ports" (was previously section "Pin muxing"); update includes replacing all instances of WKUP with WKPU (WKPU is the correct abbreviation for Wakeup Unit)</p> <p>Section "NVUSRO register": edited content to separate configuration into electrical parameters and digital functionality</p> <p>Added section "NVUSRO[WATCHDOG_EN] field description"</p> <p>Absolute maximum ratings: Removed "C" column from table</p> <p>Replaced "TBD" with "—" in <math>T_{VDD}</math> min value cell of 3.3 V and 5 V recommended operating conditions tables</p> <p>LQFP thermal characteristics: removed <math>R_{\theta JB}</math> single layer board conditions; updated footnote 4</p> <p>I/O input DC electrical characteristics: removed footnote "All values need to be confirmed during device validation"; updated <math>I_{LKG}</math> characteristics</p> <p>MEDIUM configuration output buffer electrical characteristics: changed "<math>I_{OH} = 100 \mu A</math>" to "<math>I_{OL} = 100 \mu A</math>" in <math>V_{OL}</math> conditions</p> <p>I/O consumption: replaced instances of "Root medium square" with "Root mean square"</p> <p>Updated section "Voltage regulator electrical characteristics"</p> <p>Section "Low voltage detector electrical characteristics": changed title (was "Voltage monitor electrical characteristics"); added a fifth LVD (LVDHV3B); added event status flag names found in RGM chapter of device reference manual to POR module and LVD descriptions; replaced instances of "Low voltage monitor" with "Low voltage detector"; deleted note referencing power domain No. 2 (this domain is not present on the device); updated electrical characteristics table</p> <p>Updated and renamed section "Power consumption" (was previously section "Low voltage domain power consumption")</p> <p>Program and erase specifications (code flash): updated symbols; updated <math>t_{ESUS}</math> values</p> <p>Updated Flash memory read access timing</p> <p>EMI radiated emission measurement: updated <math>S_{EMI}</math> values</p> <p>Updated FMPLL electrical characteristics</p> <p>Crystal oscillator and resonator connection scheme: inserted footnote about possibly requiring a series resistor</p> <p>Fast internal RC oscillator (16 MHz) electrical characteristics: updated <math>t_{FIRCSU}</math> values</p> <p>Section "Input impedance and ADC accuracy": changed "<math>V_A/V_{A2}</math>" to "<math>V_{A2}/V_A</math>" in Equation 13</p> <p>ADC conversion characteristics:</p> <ul style="list-style-type: none"> <li>updated conditions for sampling time <math>V_{DD} = 5.0 V</math></li> <li>updated conditions for conversion time <math>V_{DD} = 5.0 V</math></li> </ul> <p>Commercial product code structure: added character for frequency; updated optional fields character and description</p> <p>Restored the revision history table and added an entry for Rev. 3.1</p> <p>Updated Abbreviations</p>



**Table 45. Revision history (continued)**

Revision	Date	Description of Changes
5	—	Rev. 5 not published.
6	29 Jan 2013	Removed all instances of table footnote “All values need to be confirmed during device validation” Section 4.1, “Introduction, removed Caution note. In Table 42, On-chip peripherals current consumption, replaced “TBD” with “8.21 mA” in $I_{DD\_HV(FLASH)}$ cell. Updated Section 4.17.2, “Input impedance and ADC accuracy In Table 24, changed $V_{LVDHV3L}$ , $V_{LVDHV3BL}$ from 2.7 V to 2.6 V. Revised the Table 28 (Flash module life) Updated Table 43, DSPI characteristics, to add specifications 7 and 8, $t_{PCSC}$ and $t_{PASC}$ . Inserted Figure 24, DSPI PCS strobe (PCSS) timing.

## Appendix A Abbreviations

Table A-1 lists abbreviations used in this document.

**Table A-1. Abbreviations**

Abbreviation	Meaning
APU	Auxilliary processing unit
CMOS	Complementary metal–oxide–semiconductor
CPHA	Clock phase
CPOL	Clock polarity
CS	Peripheral chip select
DAOC	Double action output compare
ECC	Error code correction
EVTO	Event out
GPIO	General purpose input/output
IPM	Input period measurement
IPWM	Input pulse width measurement
MB	Message buffer
MC	Modulus counter
MCB	Modulus counter buffered (up / down)
MCKO	Message clock out
MDO	Message data out
MSEO	Message start/end out
MTFE	Modified timing format enable
NVUSRO	Non-volatile user options register
OPWFMB	Output pulse width and frequency modulation buffered
OPWMB	Output pulse width modulation buffered

**Table A-1. Abbreviations (continued)**

Abbreviation	Meaning
OPWMCB	Center aligned output pulse width modulation buffered with dead time
OPWMT	Output pulse width modulation trigger
PWM	Pulse width modulation
SAIC	Single action input capture
SAOC	Single action output compare
SCK	Serial communications clock
SOUT	Serial data out
TBD	To be defined
TCK	Test clock input
TDI	Test data input
TDO	Test data output
TMS	Test mode select

**How to Reach Us:****Home Page:**

[www.freescale.com](http://www.freescale.com)

**Web Support:**

<http://www.freescale.com/support>

**USA/Europe or Locations Not Listed:**

Freescale Semiconductor, Inc.  
Technical Information Center, EL516  
2100 East Elliot Road  
Tempe, Arizona 85284  
+1-800-521-6274 or +1-480-768-2130  
[www.freescale.com/support](http://www.freescale.com/support)

**Europe, Middle East, and Africa:**

Freescale Halbleiter Deutschland GmbH  
Technical Information Center  
Schatzbogen 7  
81829 Muenchen, Germany  
+44 1296 380 456 (English)  
+46 8 52200080 (English)  
+49 89 92103 559 (German)  
+33 1 69 35 48 48 (French)  
[www.freescale.com/support](http://www.freescale.com/support)

**Japan:**

Freescale Semiconductor Japan Ltd.  
Headquarters  
ARCO Tower 15F  
1-8-1, Shimo-Meguro, Meguro-ku,  
Tokyo 153-0064  
Japan  
0120 191014 or +81 3 5437 9125  
[support.japan@freescale.com](mailto:support.japan@freescale.com)

**Asia/Pacific:**

Freescale Semiconductor China Ltd.  
Exchange Building 23F  
No. 118 Jianguo Road  
Chaoyang District  
Beijing 100022  
China  
+86 10 5879 8000  
[support.asia@freescale.com](mailto:support.asia@freescale.com)

**For Literature Requests Only:**

Freescale Semiconductor Literature Distribution Center  
1-800-441-2447 or 303-675-2140  
Fax: 303-675-2150  
[LDCForFreescaleSemiconductor@hibbertgroup.com](mailto:LDCForFreescaleSemiconductor@hibbertgroup.com)

Information in this document is provided solely to enable system and software implementers to use Freescale Semiconductor products. There are no express or implied copyright licenses granted hereunder to design or fabricate any integrated circuits or integrated circuits based on the information in this document.

Freescale Semiconductor reserves the right to make changes without further notice to any products herein. Freescale Semiconductor makes no warranty, representation or guarantee regarding the suitability of its products for any particular purpose, nor does Freescale Semiconductor assume any liability arising out of the application or use of any product or circuit, and specifically disclaims any and all liability, including without limitation consequential or incidental damages. "Typical" parameters that may be provided in Freescale Semiconductor data sheets and/or specifications can and do vary in different applications and actual performance may vary over time. All operating parameters, including "Typicals", must be validated for each customer application by customer's technical experts. Freescale Semiconductor does not convey any license under its patent rights nor the rights of others. Freescale Semiconductor products are not designed, intended, or authorized for use as components in systems intended for surgical implant into the body, or other applications intended to support or sustain life, or for any other application in which the failure of the Freescale Semiconductor product could create a situation where personal injury or death may occur. Should Buyer purchase or use Freescale Semiconductor products for any such unintended or unauthorized application, Buyer shall indemnify and hold Freescale Semiconductor and its officers, employees, subsidiaries, affiliates, and distributors harmless against all claims, costs, damages, and expenses, and reasonable attorney fees arising out of, directly or indirectly, any claim of personal injury or death associated with such unintended or unauthorized use, even if such claim alleges that Freescale Semiconductor was negligent regarding the design or manufacture of the part.

RoHS-compliant and/or Pb-free versions of Freescale products have the functionality and electrical characteristics as their non-RoHS-compliant and/or non-Pb-free counterparts. For further information, see <http://www.freescale.com> or contact your Freescale sales representative.

For information on Freescale's Environmental Products program, go to <http://www.freescale.com/epp>.

Freescale™ and the Freescale logo are trademarks of Freescale Semiconductor, Inc. All other product or service names are the property of their respective owners. The Power Architecture and Power.org word marks and the Power and Power.org logos and related marks are trademarks and service marks licensed by Power.org

© Freescale Semiconductor, Inc. 2009–2013. All rights reserved.

Document Number: MPC5602D

Rev. 6

01/2013

Компания «Океан Электроники» предлагает заключение долгосрочных отношений при поставках импортных электронных компонентов на взаимовыгодных условиях!

Наши преимущества:

- Поставка оригинальных импортных электронных компонентов напрямую с производств Америки, Европы и Азии, а так же с крупнейших складов мира;
- Широкая линейка поставок активных и пассивных импортных электронных компонентов (более 30 млн. наименований);
- Поставка сложных, дефицитных, либо снятых с производства позиций;
- Оперативные сроки поставки под заказ (от 5 рабочих дней);
- Экспресс доставка в любую точку России;
- Помощь Конструкторского Отдела и консультации квалифицированных инженеров;
- Техническая поддержка проекта, помощь в подборе аналогов, поставка прототипов;
- Поставка электронных компонентов под контролем ВП;
- Система менеджмента качества сертифицирована по Международному стандарту ISO 9001;
- При необходимости вся продукция военного и аэрокосмического назначения проходит испытания и сертификацию в лаборатории (по согласованию с заказчиком);
- Поставка специализированных компонентов военного и аэрокосмического уровня качества (Xilinx, Altera, Analog Devices, Intersil, Interpoint, Microsemi, Actel, Aeroflex, Peregrine, VPT, Syfer, Eurofarad, Texas Instruments, MS Kennedy, Miteq, Cobham, E2V, MA-COM, Hittite, Mini-Circuits, General Dynamics и др.);

Компания «Океан Электроники» является официальным дистрибьютором и эксклюзивным представителем в России одного из крупнейших производителей разъемов военного и аэрокосмического назначения «JONHON», а так же официальным дистрибьютором и эксклюзивным представителем в России производителя высокотехнологичных и надежных решений для передачи СВЧ сигналов «FORSTAR».



## JONHON

«JONHON» (основан в 1970 г.)

Разъемы специального, военного и аэрокосмического назначения:

(Применяются в военной, авиационной, аэрокосмической, морской, железнодорожной, горно- и нефтедобывающей отраслях промышленности)

«FORSTAR» (основан в 1998 г.)

ВЧ соединители, коаксиальные кабели, кабельные сборки и микроволновые компоненты:

(Применяются в телекоммуникациях гражданского и специального назначения, в средствах связи, РЛС, а так же военной, авиационной и аэрокосмической отраслях промышленности).



Телефон: 8 (812) 309-75-97 (многоканальный)

Факс: 8 (812) 320-03-32

Электронная почта: [ocean@oceanchips.ru](mailto:ocean@oceanchips.ru)

Web: <http://oceanchips.ru/>

Адрес: 198099, г. Санкт-Петербург, ул. Калинина, д. 2, корп. 4, лит. А