

QWL – accessories cabling information

The Amphenol® QWL series of electrical connectors has been designed with the problems of multi-conductor cable users in mind. Two of these problems, namely water proofing and strain relief, are solved by the radial inward compression of an internal neoprene gland in the various cable accessories shown on the following pages. For additional strain relief beyond that provided by the gland, both cable grips and bar clamps are available. Since the glands close down from .094” to .145” (depending on shell size), the optimum condition for cable users is to select a gland with an I.D. only slightly larger than the maximum O.D. of the cable. The inside diameter of the accessory housing determines the maximum diameter of the cable as shown in the tabulation below. Smaller sizes than those shown in each shell size can be accommodated by smaller compression glands.

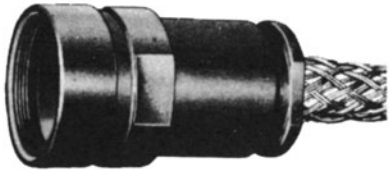
Different cable manufacturers use different constructions and cable lays in manufacturing multi-conductor cable. The specific cabling manufacturing specification should be known by the customer in detail in order to properly figure each QWL application. This knowledge can save many individual wire crossovers in any given run of cable. Crossovers add materially to the cable diameter without a cable accessory. In those cases where diameter buildup is impossible to avoid, special cable accessories with longer barrels are available.

How to order information is covered in detail on pages 4 and 5. In selecting the base number below, care should be used, as some of the cable accessories are provided with protection cap attachment rings, while others are provided with the Kellems strain relief grip as shown. If a type or cable accommodation size is not found herein that fulfills your application, please contact Amphenol, Sidney, NY.

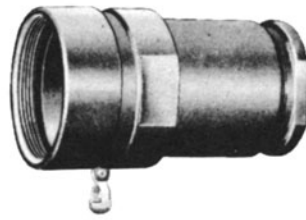
All dimensions for reference only.

| Shell Size | QWL Connector Accessory Thd. | Approx. Work Length (Internal) | | Minimum Housing Inner Diameter | Maximum Cable Outer Diameter |
|------------|------------------------------|--------------------------------|-------|--------------------------------|------------------------------|
| | | Short | Long | | |
| 10 | .500-28 | .250 | | .359 | .359 |
| 12 | .625-24 | .375 | | .484 | .484 |
| 14 | .750-20 | .401 | | .609 | .609 |
| 16 | .875-20 | .500 | | .734 | .734 |
| 18 | 1.000-20 | 1.120 | | .859 | .859 |
| 20 | 1.125-18 | 1.370 | | .984 | .984 |
| 22 | 1.250-18 | 1.370 | | 1.109 | 1.109 |
| 24 | 1.375-18 | 1.370 | | 1.234 | 1.234 |
| 28 | 1.625-18 | 1.370 | 5.000 | 1.427 | 1.427 |
| 32 | 1.875-16 | 1.370 | 6.000 | 1.708 | 1.708 |
| 36 | 2.062-16 | 1.370 | 5.000 | 1.895 | 1.895 |
| 40 | 2.312-16 | 1.370 | 6.000 | 2.130 | 2.130 |
| 44 | 2.625-16 | | | 2.375 | 2.375 |
| 48 | 2.875-16 | 2.218 | 6.000 | 2.630 | 2.630 |

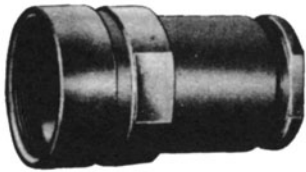
QWL – cable accessories



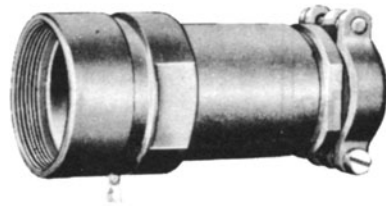
10-101332
Short barrel with grip



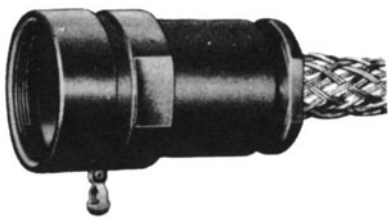
10-101335
Short barrel with attachment ring



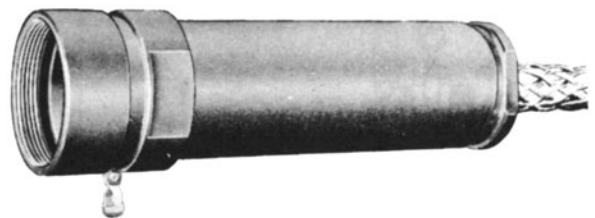
10-101333
Short barrel without grip



10-130380
Short barrel length with attachment ring & strain relief bars



10-101334
Short barrel with grip & attachment ring

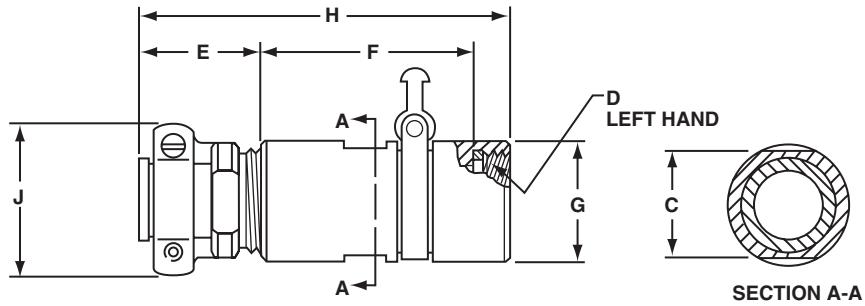
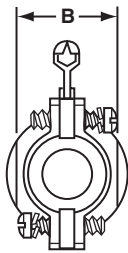


10-113637
Long barrel with attachment ring and grip

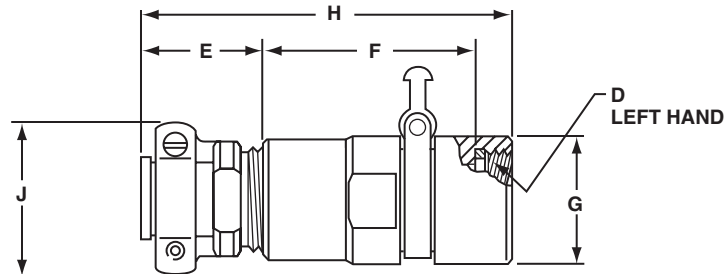
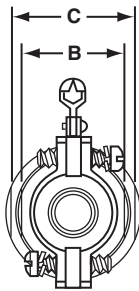
QWL – accessories

10-130380

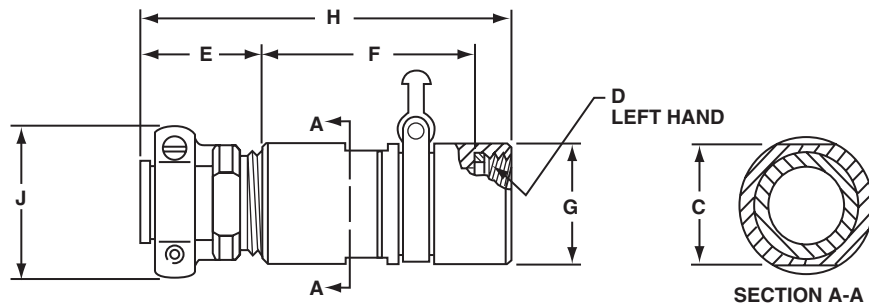
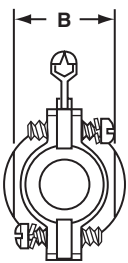
cable sealing adapter (with clamp bars)



Type I Straight



Type II Step Down



Type III Step Up

QWL – accessories

10-130380

cable sealing adapter (with clamp bars)

All dimensions are for reference only.

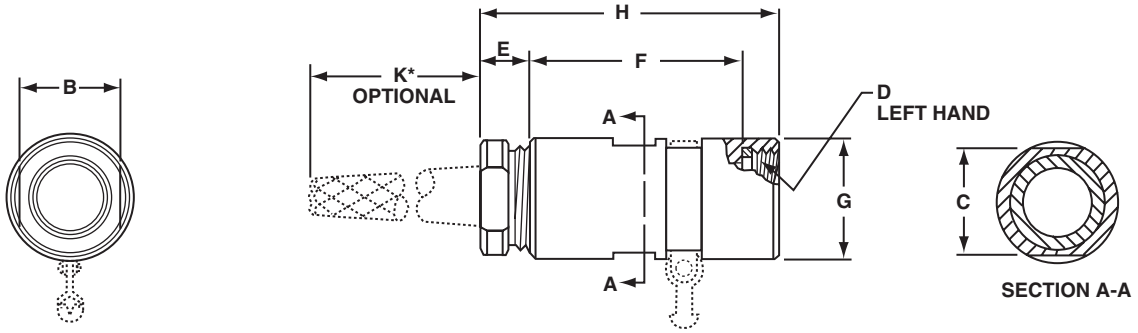
| Part Number* | Used With Shell Size | Cable Range | | B +.000 -.010 | C +.010 -.000 | D Thread Class 2B-LH | E Free Max | F +.010 -.020 | G Dia. +.010 -.020 | H Max. | J Max. | Type |
|---------------|----------------------|--------------|--------------|---------------------|---------------------|-------------------------|------------------|---------------------|-----------------------------|-----------|-----------|------|
| | | Max. Dia. | Min. Dia. | | | | | | | | | |
| 10-130380-141 | 14S | .460 | .366 | .750 | .812 | .750-20UNEF | 1.125 | 1.782 | .938 | 3.229 | 1.062 | I |
| 10-130380-142 | 14S | .438 | .344 | .875 | .938 | .750-20UNEF | 1.125 | 2.126 | .938 | 3.573 | 1.125 | III |
| 10-130380-143 | 14S | .375 | .306 | .875 | .938 | .750-20UNEF | 1.125 | 2.126 | .938 | 3.573 | 1.125 | III |
| 10-130380-161 | 16S | .530 | .436 | 1.000 | 1.062 | .875-20UNEF | 1.250 | 2.282 | 1.062 | 3.854 | 1.375 | III |
| 10-130380-162 | 16S | .605 | .511 | 1.000 | 1.062 | .875-20UNEF | 1.250 | 2.282 | 1.062 | 3.854 | 1.375 | III |
| 10-130380-171 | 16 | .500 | .406 | .875 | .938 | .875-20UNEF | 1.125 | 2.215 | 1.062 | 3.834 | 1.125 | I |
| 10-130380-181 | 18 | .828 | .715 | 1.188 | 1.250 | 1.000-20UNEF | 1.250 | 3.032 | 1.188 | 4.776 | 1.688 | III |
| 10-130380-182 | 18 | .699 | .605 | 1.062 | 1.125 | 1.000-20UNEF | 1.250 | 2.933 | 1.188 | 4.677 | 1.562 | III |
| 10-130380-183 | 18 | .500 | .406 | .875 | 1.094 | 1.000-20UNEF | 1.125 | 2.485 | 1.188 | 4.104 | 1.125 | II |
| 10-130380-184 | 18 | .562 | .449 | 1.188 | 1.250 | 1.000-20UNEF | 1.250 | 3.032 | 1.188 | 4.776 | 1.688 | III |
| 10-130380-185 | 18 | .750 | .637 | 1.312 | 1.000 | 1.000-20UNEF | 1.250 | 3.063 | 1.188 | 4.607 | 1.812 | III |
| 10-130380-186 | 18 | .530 | .436 | 1.000 | 1.062 | 1.000-20UNEF | 1.250 | 2.621 | 1.188 | 4.365 | 1.375 | I |
| 10-130380-201 | 20 | .625 | .531 | 1.062 | 1.125 | 1.125-18UNEF | 1.250 | 2.933 | 1.312 | 4.677 | 1.562 | I |
| 10-130380-202 | 20 | .605 | .511 | 1.000 | 1.125 | 1.125-18UNEF | 1.250 | 2.631 | 1.312 | 4.365 | 1.375 | II |
| 10-130380-203 | 20 | .628 | .715 | 1.188 | 1.125 | 1.125-18UNEF | 1.250 | 2.996 | 1.312 | 4.740 | 1.688 | III |
| 10-130380-204 | 20 | .720 | .626 | 1.062 | 1.125 | 1.125-18UNEF | 1.250 | 2.933 | 1.312 | 4.677 | 1.562 | I |
| 10-130380-205 | 20 | .900 | .787 | 1.312 | 1.250 | 1.125-18UNEF | 1.250 | 3.062 | 1.312 | 4.807 | 1.812 | III |
| 10-130380-206 | 20 | .625 | .531 | 1.062 | 1.125 | 1.125-18UNEF | 1.250 | 2.933 | 1.312 | 4.677 | 1.562 | I |
| 10-130380-207 | 20 | .750 | .637 | 1.312 | 1.250 | 1.125-18UNEF | 1.250 | 3.063 | 1.312 | 4.807 | 1.812 | III |
| 10-130380-221 | 22 | .790 | .696 | 1.062 | 1.250 | 1.250-18UNEF | 1.250 | 2.933 | 1.438 | 4.677 | 1.562 | II |
| 10-130380-222 | 22 | .720 | .626 | 1.062 | 1.250 | 1.250-18UNEF | 1.250 | 2.933 | 1.438 | 4.677 | 1.562 | II |
| 10-130380-223 | 22 | 1.130 | 1.005 | 1.780 | 1.375 | 1.250-18UNEF | 1.500 | 3.266 | 1.438 | 5.250 | 2.469 | III |
| 10-130380-224 | 22 | .680 | .567 | 1.312 | 1.375 | 1.250-18UNEF | 1.250 | 3.059 | 1.438 | 4.803 | 1.812 | III |
| 10-130380-242 | 24 | .900 | .787 | 1.312 | 1.375 | 1.375-18UNEF | 1.250 | 3.059 | 1.562 | 4.803 | 1.812 | I |
| 10-130380-243 | 24 | 1.180 | 1.055 | 1.780 | 1.812 | 1.375-18UNEF | 1.500 | 3.204 | 1.562 | 5.198 | 2.469 | III |
| 10-130380-244 | 24 | .680 | .567 | 1.312 | 1.375 | 1.375-18UNEF | 1.250 | 3.059 | 1.562 | 4.803 | 1.812 | I |
| 10-130380-245 | 24 | .630 | .517 | 1.312 | 1.375 | 1.375-18UNEF | 1.250 | 3.059 | 1.562 | 4.803 | 1.812 | I |
| 10-130380-246 | 24 | 1.000 | .875 | 1.546 | 1.625 | 1.375-18UNEF | 1.500 | 3.121 | 1.562 | 5.115 | 2.125 | III |
| 10-130380-247 | 24 | .805 | .692 | 1.312 | 1.375 | 1.375-18UNEF | 1.250 | 3.059 | 1.562 | 4.803 | 1.812 | I |
| 10-130380-281 | 28 | 1.310 | 1.185 | 1.780 | 1.875 | 1.625-18UNEF | 1.500 | 3.184 | 1.812 | 5.178 | 2.469 | III |
| 10-130380-282 | 28 | .970 | .857 | 1.312 | 1.625 | 1.625-18UNEF | 1.250 | 3.059 | 1.812 | 4.803 | 1.812 | II |
| 10-130380-283 | 28 | .880 | .755 | 1.546 | 1.625 | 1.625-18UNEF | 1.500 | 3.121 | 1.812 | 5.115 | 2.125 | I |
| 10-130380-284 | 28 | 1.427 | 1.320 | 2.000 | 1.875 | 1.625-18UNEF | 1.500 | 3.184 | 1.812 | 5.178 | 2.625 | III |
| 10-130380-321 | 32 | .970 | .875 | 1.312 | 1.875 | 1.875-16UN | 1.250 | 3.059 | 2.062 | 4.803 | 1.812 | II |
| 10-130380-322 | 32 | 1.230 | 1.105 | 1.780 | 1.875 | 1.875-16UN | 1.500 | 3.184 | 2.062 | 5.178 | 2.469 | I |
| 10-130380-323 | 32 | 1.328 | 1.240 | 1.780 | 1.875 | 1.875-16UN | 1.500 | 3.184 | 2.062 | 5.178 | 2.469 | I |
| 10-130380-324 | 32 | .750 | .637 | 1.312 | 1.875 | 1.875-16UN | 1.250 | 3.059 | 2.062 | 4.803 | 1.812 | II |
| 10-130380-325 | 32 | 1.055 | .958 | 1.546 | 1.875 | 1.875-16UN | 1.500 | 3.121 | 2.062 | 5.115 | 2.125 | II |
| 10-130380-326 | 32 | 1.375 | 1.250 | 2.000 | 2.062 | 1.875-16UN | 1.500 | 3.246 | 2.062 | 5.240 | 2.625 | III |
| 10-130380-361 | 36 | 1.310 | 1.185 | 1.780 | 2.062 | 2.0625-16UN | 1.500 | 3.184 | 2.312 | 5.178 | 2.469 | II |
| 10-130380-362 | 36 | 1.900 | 1.775 | 2.438 | 2.312 | 2.0625-16UN | 1.625 | 3.500 | 2.312 | 5.619 | 3.171 | III |
| 10-130380-363 | 36 | 1.530 | 1.406 | 2.000 | 2.062 | 2.0625-16UN | 1.500 | 3.246 | 2.312 | 5.240 | 2.625 | I |
| 10-130380-364 | 36 | 1.445 | 1.320 | 2.000 | 2.062 | 2.0625-16UN | 1.500 | 3.246 | 2.312 | 5.240 | 2.625 | I |
| 10-130380-365 | 36 | .805 | .692 | 1.312 | 2.062 | 2.0625-16UN | 1.250 | 3.059 | 2.312 | 4.803 | 1.812 | II |
| 10-130380-366 | 36 | .603 | .511 | 1.000 | 2.000 | 2.0625-16UN | 1.250 | 2.875 | 2.312 | 4.619 | 1.375 | II |
| 10-130380-367 | 36 | 1.000 | .875 | 1.546 | 2.062 | 2.0625-16UN | 1.500 | 3.121 | 2.312 | 5.115 | 2.125 | II |
| 10-130380-401 | 40 | 1.730 | 1.605 | 2.438 | 2.500 | 2.3125-16UN | 1.625 | 3.469 | 2.562 | 5.588 | 3.171 | III |
| 10-130380-402 | 40 | 1.310 | 1.185 | 1.780 | 2.312 | 2.3125-16UN | 1.500 | 3.184 | 2.562 | 5.178 | 2.469 | II |
| 10-130380-403 | 40 | 1.180 | 1.055 | 1.780 | 2.312 | 2.3125-16UN | 1.500 | 3.184 | 2.562 | 5.178 | 2.469 | II |
| 10-130380-404 | 40 | 1.109 | .984 | 1.546 | 2.312 | 2.3125-16UN | 1.500 | 3.121 | 2.562 | 5.115 | 2.125 | II |
| 10-130380-441 | 44 | 1.900 | 1.775 | 2.438 | 2.750 | 2.625-16UN | 1.625 | 4.281 | 2.875 | 6.588 | 3.171 | II |

*For complete order number see pages 4 and 5.

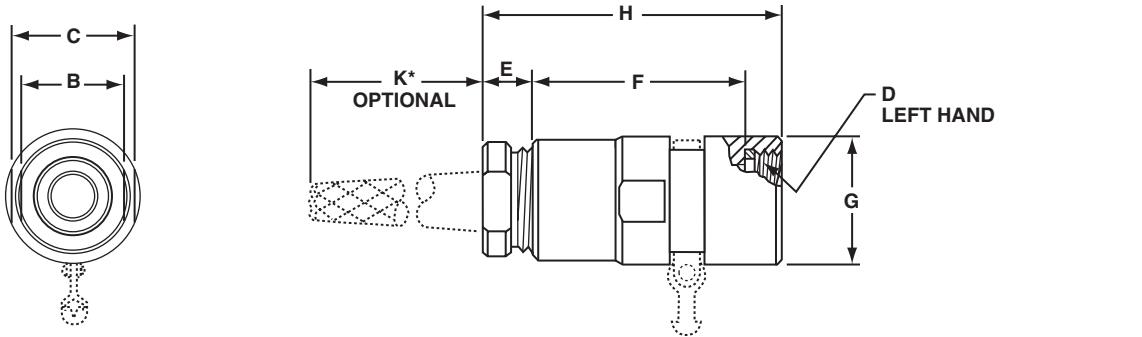
QWL – accessories

10-10133X

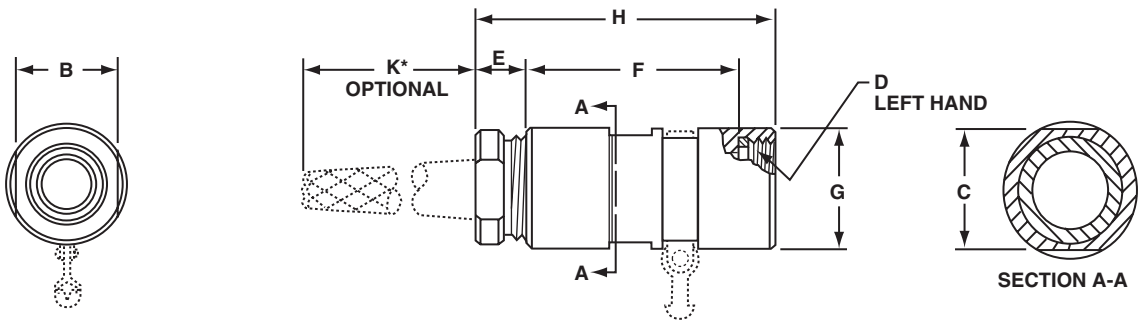
cable sealing adapter



Type I Straight



Type II Step Down



Type III Step Up

*Wire grip dimensions (K) apply to 10-101332 and 10-101334 assemblies only.

QWL – accessories

10-10133X

cable sealing adapter

All dimensions are for reference only.

| Part Number* | Used With Shell Size | Cable Range | | B +.000 -.010 | C +.010 -.000 | D Thread Class 2B-LH | E Free Max. | F +.010 -.020 | G Dia. +.010 -.020 | H ±.045 | K Free Approx. | Type |
|---------------|----------------------|-------------|-----------|---------------------|---------------------|-------------------------|-------------------|---------------------|-----------------------------|------------|----------------------|------|
| | | Max. Dia. | Min. Dia. | | | | | | | | | |
| 10-10133X-121 | 12S | .281 | .219 | .750 | .812 | .6250-24NEF | .500 | 1.938 | .812 | 2.750 | 2.844 | III |
| 10-10133X-122 | 12S | .500 | .406 | 1.062 | 1.000 | .6250-24NEF | .562 | 2.875 | .812 | 3.750 | 4.688 | III |
| 10-10133X-123 | 12S | .405 | .316 | 1.000 | .812 | .6250-24NEF | .562 | 2.548 | .812 | 3.422 | 3.688 | III |
| 10-10133X-141 | 14S | .337 | .281 | .750 | .812 | .7500-20UNEF | .500 | 1.782 | .938 | 2.594 | 3.344 | I |
| 10-10133X-142 | 14S | .222 | .160 | .625 | .812 | .7500-20UNEF | .562 | 1.782 | .938 | 2.532 | 2.406 | II |
| 10-10133X-143 | 14S | .281 | .219 | .750 | .812 | .7500-20UNEF | .500 | 1.782 | .938 | 2.594 | 2.844 | I |
| 10-10133X-144 | 14S | .530 | .441 | 1.000 | .812 | .7500-20UNEF | .562 | 2.719 | .938 | 3.594 | 4.688 | III |
| 10-10133X-145 | 14S | .463 | .406 | .875 | .938 | .7500-20UNEF | .500 | 2.126 | .938 | 2.938 | 4.344 | III |
| 10-10133X-146 | 14S | .405 | .316 | 1.000 | .812 | .7500-20UNEF | .562 | 2.719 | .938 | 3.594 | 3.688 | III |
| 10-10133X-151 | 14 | .405 | .316 | 1.000 | .812 | .7500-20UNEF | .562 | 2.719 | .938 | 3.765 | 3.688 | III |
| 10-10133X-161 | 16S | .463 | .406 | .875 | .938 | .8750-20UNEF | .500 | 1.844 | 1.062 | 2.656 | 4.344 | I |
| 10-10133X-162 | 16S | .589 | .511 | 1.000 | 1.062 | .8750-20UNEF | .562 | 2.282 | 1.062 | 3.156 | 5.188 | III |
| 10-10133X-163 | 16S | .625 | .580 | 1.062 | 1.125 | .8750-20UNEF | .562 | 2.933 | 1.062 | 3.807 | 6.188 | III |
| 10-10133X-164 | 16S | .405 | .316 | 1.000 | 1.062 | .8750-20UNEF | .562 | 2.282 | 1.062 | 3.156 | 3.688 | III |
| 10-10133X-165 | 16S | .530 | .441 | 1.000 | 1.062 | .8750-20UNEF | .562 | 2.282 | 1.062 | 3.156 | 4.688 | III |
| 10-10133X-166 | 16S | .699 | .605 | 1.062 | 1.125 | .8750-20UNEF | .562 | 2.933 | 1.062 | 3.807 | 6.188 | III |
| 10-10133X-167 | 16S | .281 | .219 | .750 | .938 | .8750-20UNEF | .500 | 1.844 | 1.062 | 2.656 | 2.844 | II |
| 10-10133X-171 | 16 | .589 | .511 | 1.000 | 1.062 | .8750-20UNEF | .562 | 2.621 | 1.062 | 3.667 | 5.188 | III |
| 10-10133X-172 | 16 | .438 | .400 | .875 | .938 | .8750-20UNEF | .500 | 2.215 | 1.062 | 3.199 | 4.344 | I |
| 10-10133X-173 | 16 | .625 | .580 | 1.062 | 1.125 | .8750-20UNEF | .562 | 2.933 | 1.062 | 3.979 | 6.188 | III |
| 10-10133X-174 | 16 | .530 | .441 | 1.000 | 1.062 | .8750-20UNEF | .562 | 2.621 | 1.062 | 3.667 | 4.688 | III |
| 10-10133X-175 | 16 | .405 | .316 | 1.000 | 1.062 | .8750-20UNEF | .562 | 2.621 | 1.062 | 3.667 | 3.688 | III |
| 10-10133X-181 | 18 | .589 | .511 | 1.000 | 1.062 | 1.0000-20UNEF | .562 | 2.621 | 1.188 | 3.667 | 5.188 | I |
| 10-10133X-182 | 18 | .625 | .580 | 1.062 | 1.125 | 1.0000-20UNEF | .562 | 2.933 | 1.188 | 3.979 | 6.188 | III |
| 10-10133X-183 | 18 | .530 | .441 | 1.000 | 1.062 | 1.0000-20UNEF | .562 | 2.621 | 1.188 | 3.667 | 4.688 | I |
| 10-10133X-184 | 18 | .699 | .605 | 1.062 | 1.125 | 1.0000-20UNEF | .562 | 2.933 | 1.188 | 3.979 | 6.188 | III |
| 10-10133X-185 | 18 | .405 | .316 | 1.000 | 1.062 | 1.0000-20UNEF | .562 | 2.621 | 1.188 | 3.667 | 3.688 | I |
| 10-10133X-186 | 18 | .455 | .361 | 1.062 | 1.125 | 1.0000-20UNEF | .562 | 2.933 | 1.188 | 3.979 | 4.188 | III |
| 10-10133X-187 | 18 | .750 | .637 | 1.250 | 1.000 | 1.0000-20UNEF | .562 | 3.063 | 1.188 | 4.109 | 6.688 | III |
| 10-10133X-188 | 18 | .172 | .078 | .750 | .938 | 1.0000-20UNEF | .500 | 2.407 | 1.188 | 3.391 | 2.844 | II |
| 10-10133X-190 | 18 | .805 | .692 | 1.250 | 1.000 | 1.0000-20UNEF | .562 | 3.063 | 1.188 | 4.109 | 6.688 | III |
| 10-10133X-201 | 20 | .625 | .580 | 1.062 | 1.125 | 1.1250-18NEF | .562 | 2.933 | 1.312 | 3.979 | 6.188 | I |
| 10-10133X-202 | 20 | .699 | .605 | 1.062 | 1.125 | 1.1250-18NEF | .562 | 2.933 | 1.312 | 3.979 | 6.188 | I |
| 10-10133X-203 | 20 | .500 | .406 | 1.062 | 1.125 | 1.1250-18NEF | .562 | 2.933 | 1.312 | 3.979 | 4.688 | I |
| 10-10133X-204 | 20 | .337 | .281 | .750 | 1.125 | 1.1250-18NEF | .500 | 2.438 | 1.312 | 3.422 | 3.344 | II |
| 10-10133X-205 | 20 | .828 | .715 | 1.125 | 1.250 | 1.1250-18NEF | .547 | 2.996 | 1.312 | 4.042 | 6.688 | III |
| 10-10133X-206 | 20 | .375 | .312 | .875 | 1.125 | 1.1250-18NEF | .500 | 2.469 | 1.312 | 3.453 | 3.844 | II |
| 10-10133X-207 | 20 | .281 | .219 | .750 | 1.125 | 1.1250-18NEF | .500 | 2.438 | 1.312 | 3.422 | 2.844 | II |
| 10-10133X-208 | 20 | .455 | .361 | 1.062 | 1.125 | 1.1250-18NEF | .562 | 2.933 | 1.312 | 3.979 | 4.188 | I |
| 10-10133X-209 | 20 | .589 | .511 | 1.000 | 1.125 | 1.1250-18NEF | .562 | 2.621 | 1.312 | 3.667 | 5.188 | II |
| 10-10133X-210 | 20 | .530 | .441 | 1.000 | 1.125 | 1.1250-18NEF | .562 | 2.621 | 1.312 | 3.667 | 4.688 | II |
| 10-10133X-211 | 20 | .900 | .791 | 1.250 | 1.250 | 1.1250-18NEF | .562 | 3.063 | 1.312 | 4.109 | 7.188 | III |

*For complete order number see pages 4 and 5.

QWL – accessories

10-10133X

cable sealing adapter

All dimensions are for reference only.

| Part Number* | Used With Shell Size | Cable Range | | B +.000 -.010 | C +.000 -.010 | D Thread Class 2B-LH | E Free ±.010 | F +.010 -.020 | G Dia. +.010 -.020 | H ±.045 | K Free Approx. | Type |
|---------------|----------------------|----------------|--------------|---------------------|---------------------|-------------------------|--------------------|---------------------|-----------------------------|------------|----------------------|------|
| | | Max. Dia. | Min. Dia. | | | | | | | | | |
| 10-10133X-221 | 22 | .699 | .605 | 1.062 | 1.250 | 1.2500-18NEF | .562 | 2.933 | 1.438 | 3.979 | 6.188 | II |
| 10-10133X-222 | 22 | .750 | .637 | 1.250 | 1.375 | 1.2500-18NEF | .562 | 3.059 | 1.438 | 4.105 | 6.688 | III |
| 10-10133X-223 | 22 | .445 | .367 | 1.062 | 1.250 | 1.2500-18NEF | .562 | 2.933 | 1.438 | 3.979 | 4.188 | II |
| 10-10133X-224 | 22 | 1.000 | .875 | 1.500 | 1.375 | 1.2500-18NEF | .562 | 3.121 | 1.438 | 4.167 | 7.188 | III |
| 10-10133X-225 | 22 | .828 | .715 | 1.125 | 1.250 | 1.2500-18NEF | .594 | 2.996 | 1.438 | 4.072 | 6.688 | I |
| 10-10133X-226 | 22 | .900 | .791 | 1.250 | 1.375 | 1.2500-18NEF | .562 | 3.059 | 1.438 | 4.105 | 7.188 | III |
| 10-10133X-227 | 22 | .562 | .453 | 1.125 | 1.250 | 1.2500-18NEF | .594 | 2.996 | 1.438 | 4.074 | 5.188 | I |
| 10-10133X-228 | 22 | 1.101 | .984 | 1.500 | 1.375 | 1.2500-18NEF | .562 | 3.121 | 1.438 | 4.167 | 7.688 | III |
| 10-10133X-229 | 22 | .589 | .511 | 1.000 | 1.250 | 1.2500-18NEF | .562 | 2.750 | 1.438 | 3.796 | 5.188 | II |
| 10-10133X-231 | 22 | 1.055 | .958 | 1.500 | 1.375 | 1.2500-18NEF | .562 | 3.121 | 1.438 | 4.167 | 7.688 | III |
| 10-10133X-241 | 24 | 1.000 | .875 | 1.500 | 1.625 | 1.3750-18NEF | .562 | 3.121 | 1.562 | 4.167 | 7.188 | III |
| 10-10133X-242 | 24 | .562 | .453 | 1.125 | 1.406 | 1.3750-18NEF | .562 | 2.996 | 1.562 | 4.042 | 5.188 | II |
| 10-10133X-243 | 24 | .750 | .637 | 1.250 | 1.375 | 1.3750-18NEF | .562 | 3.059 | 1.562 | 4.105 | 6.688 | I |
| 10-10133X-244 | 24 | .900 | .791 | 1.250 | 1.375 | 1.3750-18NEF | .562 | 3.059 | 1.562 | 4.105 | 7.188 | I |
| 10-10133X-245 | 24 | 1.101 | .984 | 1.500 | 1.625 | 1.3750-18NEF | .562 | 3.121 | 1.562 | 4.167 | 7.688 | III |
| 10-10133X-246 | 24 | .405 | .316 | 1.000 | 1.375 | 1.3750-18NEF | .562 | 2.750 | 1.562 | 3.796 | 3.688 | II |
| 10-10133X-247 | 24 | .828 | .715 | 1.125 | 1.406 | 1.3750-18NEF | .562 | 2.996 | 1.562 | 4.042 | 6.688 | II |
| 10-10133X-248 | 24 | .805 | .692 | 1.250 | 1.375 | 1.3750-18NEF | .562 | 3.059 | 1.562 | 4.105 | 6.688 | I |
| 10-10133X-249 | 24 | 1.130 | 1.005 | 1.750 | 1.812 | 1.3750-18NEF | .562 | 3.204 | 1.562 | 4.250 | 7.188 | III |
| 10-10133X-281 | 28 | 1.055 | .958 | 1.500 | 1.625 | 1.6250-18NEF | .562 | 3.121 | 1.812 | 4.167 | 7.688 | I |
| 10-10133X-282 | 28 | .900 | .791 | 1.250 | 1.625 | 1.6250-18NEF | .562 | 3.059 | 1.812 | 4.105 | 7.188 | II |
| 10-10133X-283 | 28 | 1.000 | .875 | 1.500 | 1.625 | 1.6250-18NEF | .562 | 3.121 | 1.812 | 4.167 | 7.188 | I |
| 10-10133X-284 | 28 | .630 | .535 | 1.250 | 1.625 | 1.6250-18NEF | .562 | 3.059 | 1.812 | 4.105 | 5.688 | II |
| 10-10133X-285 | 28 | .750 | .637 | 1.250 | 1.625 | 1.6250-18NEF | .562 | 3.059 | 1.812 | 4.105 | 6.688 | II |
| 10-10133X-286 | 28 | 1.180 | 1.099 | 1.750 | 1.875 | 1.6250-18NEF | .562 | 3.184 | 1.812 | 4.230 | 8.188 | III |
| 10-10133X-287 | 28 | 1.101 | .984 | 1.500 | 1.625 | 1.6250-18NEF | .562 | 3.121 | 1.812 | 4.167 | 7.688 | I |
| 10-10133X-288 | 28 | 1.310 | 1.200 | 1.750 | 1.875 | 1.6250-18NEF | .562 | 3.184 | 1.812 | 4.230 | 8.688 | III |
| 10-10133X-289 | 28 | 1.230 | 1.105 | 1.750 | 1.875 | 1.6250-18NEF | .562 | 3.184 | 1.812 | 4.230 | 8.188 | III |
| 10-10133X-290 | 28 | .880 | .755 | 1.500 | 1.625 | 1.6250-18NEF | .562 | 3.121 | 1.812 | 4.167 | 6.688 | I |
| 10-10133X-291 | 28 | .957 | .857 | 1.250 | 1.625 | 1.6250-18NEF | .547 | 3.059 | 1.812 | 4.090 | 7.188 | II |
| 10-10133X-292 | 28 | .828 | .715 | 1.125 | 1.625 | 1.6250-18NEF | .562 | 2.954 | 1.812 | 4.000 | 6.688 | II |
| 10-10133X-293 | 28 | 1.375 | 1.250 | 2.000 | 1.875 | 1.6250-18NEF | .562 | 3.184 | 1.812 | 4.230 | 9.688 | III |
| 10-10133X-294 | 28 | 1.445 | 1.320 | 2.000 | 1.875 | 1.6250-18NEF | .562 | 3.184 | 1.812 | 4.230 | 9.688 | III |
| 10-10133X-295 | 28 | .805 | .692 | 1.250 | 1.625 | 1.6250-18NEF | .562 | 3.059 | 1.812 | 4.105 | 6.688 | II |
| 10-10133X-321 | 32 | .880 | .755 | 1.500 | 1.875 | 1.8750-16N | .562 | 3.121 | 2.062 | 4.167 | 6.688 | II |
| 10-10133X-322 | 32 | 1.101 | .984 | 1.500 | 1.875 | 1.8750-16N | .562 | 3.121 | 2.062 | 4.167 | 7.688 | II |
| 10-10133X-323 | 32 | .750 | .637 | 1.250 | 1.875 | 1.8750-16N | .562 | 3.059 | 2.062 | 4.105 | 6.688 | II |
| 10-10133X-324 | 32 | 1.445 | 1.320 | 2.000 | 2.062 | 1.8750-16N | .672 | 3.246 | 2.062 | 4.292 | 9.688 | III |
| 10-10133X-325 | 32 | 1.180 | 1.099 | 1.750 | 1.875 | 1.8750-16N | .562 | 3.184 | 2.062 | 4.230 | 8.188 | I |
| 10-10133X-326 | 32 | .375 | .312 | .875 | 1.875 | 1.8750-16N | .500 | 2.766 | 2.062 | 3.750 | 3.844 | II |
| 10-10133X-327 | 32 | .957 | .857 | 1.250 | 1.875 | 1.8750-16N | .562 | 3.059 | 2.062 | 4.105 | 7.188 | II |
| 10-10133X-328 | 32 | 1.230 | 1.105 | 1.750 | 1.875 | 1.8750-16N | .562 | 3.184 | 2.062 | 4.230 | 8.188 | I |
| 10-10133X-329 | 32 | 1.530 | 1.406 | 2.000 | 2.062 | 1.8750-16N | .562 | 3.246 | 2.062 | 4.292 | 10.688 | III |
| 10-10133X-330 | 32 | 1.000 | .875 | 1.500 | 1.875 | 1.8750-16N | .562 | 3.121 | 2.062 | 4.167 | 7.188 | II |
| 10-10133X-331 | 32 | 1.375 | 1.250 | 2.000 | 2.062 | 1.8750-16N | .562 | 3.246 | 2.062 | 4.292 | 9.688 | III |
| 10-10133X-332 | 32 | 1.310 | 1.200 | 1.750 | 1.875 | 1.8750-16N | .562 | 3.184 | 2.062 | 4.230 | 8.688 | I |
| 10-10133X-333 | 32 | .580 x .825 | (Oval) | 1.500 | 1.875 | 1.8750-16N | .562 | 3.121 | 2.062 | 4.167 | 6.688 | II |
| 10-10133X-334 | 32 | .500 x .705 | (Oval) | 1.500 | 1.875 | 1.8750-16N | .562 | 3.121 | 2.062 | 4.167 | 6.688 | II |

*For complete order number see pages 4 and 5.

QWL – accessories

10-10133X

cable sealing adapter

All dimensions are for reference only.

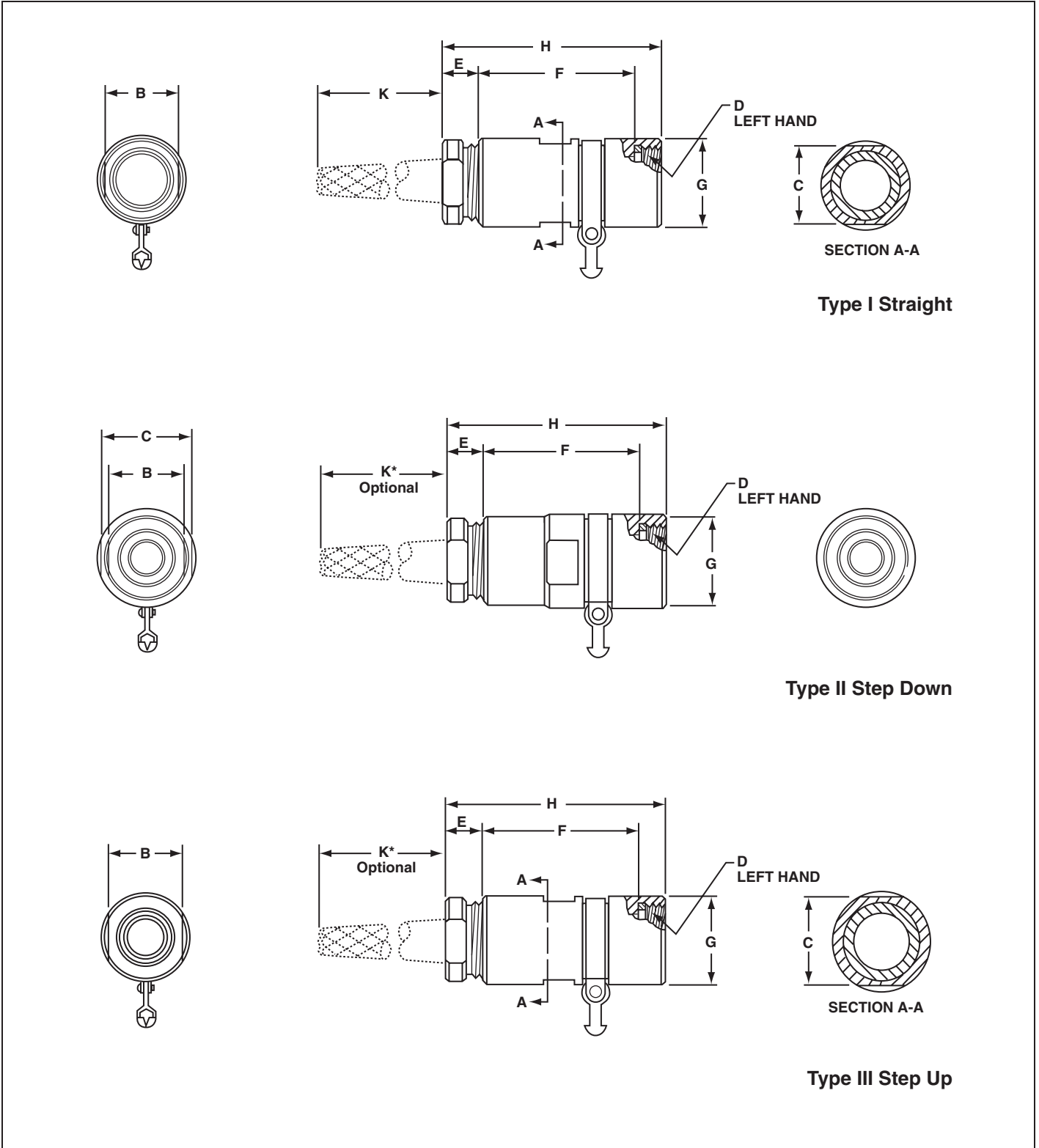
| Part Number* | Used With Shell Size | Cable Range | | B +.000 -.010 | C +.000 -.010 | D Thread Class 2B-LH | E Free ±.035 | F +.010 -.020 | G Dia. +.010 -.020 | H ±.045 | K Free Approx. | Type |
|---------------|----------------------|--------------|--------------|---------------------|---------------------|-------------------------|--------------------|---------------------|-----------------------------|------------|----------------------|------|
| | | Max. Dia. | Min. Dia. | | | | | | | | | |
| 10-10133X-335 | 32 | .530 | .441 | 1.000 | 1.625 | 1.8750-16N | .562 | 2.875 | 2.062 | 3.921 | 4.688 | II |
| 10-10133X-336 | 32 | .680 | .567 | 1.250 | 1.875 | 1.8750-16N | .562 | 3.059 | 2.062 | 4.105 | 6.688 | II |
| 10-10133X-337 | 32 | .463 | .406 | .875 | 1.875 | 1.8750-16N | .500 | 2.766 | 2.062 | 3.750 | 4.344 | II |
| 10-10133X-361 | 36 | 1.055 | .958 | 1.500 | 2.062 | 2.0625-16N | .562 | 3.121 | 2.312 | 4.167 | 7.688 | II |
| 10-10133X-362 | 36 | 1.445 | 1.320 | 2.000 | 2.062 | 2.0625-16N | .562 | 3.246 | 2.312 | 4.292 | 9.688 | I |
| 10-10133X-363 | 36 | 1.530 | 1.406 | 2.000 | 2.062 | 2.0625-16N | .562 | 3.246 | 2.312 | 4.292 | 10.688 | I |
| 10-10133X-364 | 36 | 1.230 | 1.105 | 1.750 | 2.062 | 2.0625-16N | .562 | 3.184 | 2.312 | 4.230 | 8.188 | II |
| 10-10133X-365 | 36 | .750 | .637 | 1.250 | 2.062 | 2.0625-16N | .562 | 3.059 | 2.312 | 4.105 | 6.688 | II |
| 10-10133X-366 | 36 | .880 | .755 | 1.500 | 2.062 | 2.0625-16N | .562 | 3.121 | 2.312 | 4.167 | 6.688 | II |
| 10-10133X-367 | 36 | 1.656 | 1.531 | 2.250 | 2.312 | 2.0625-16N | .562 | 3.308 | 2.312 | 4.354 | 12.688 | III |
| 10-10133X-368 | 36 | 1.101 | .984 | 1.500 | 2.062 | 2.0625-16N | .562 | 3.121 | 2.312 | 4.167 | 7.688 | II |
| 10-10133X-369 | 36 | .957 | .857 | 1.250 | 2.062 | 2.0625-16N | .672 | 3.059 | 2.312 | 4.090 | 7.188 | II |
| 10-10133X-370 | 36 | 1.900 | 1.775 | 2.438 | 2.312 | 2.0625-16N | .500 | 3.500 | 2.312 | 4.656 | 13.688 | III |
| 10-10133X-371 | 36 | .375 | .312 | .875 | 2.062 | 2.0625-16N | .500 | 2.813 | 2.312 | 3.797 | 3.844 | II |
| 10-10133X-372 | 36 | 1.825 | 1.700 | 2.438 | 2.312 | 2.0625-16N | .672 | 3.500 | 2.312 | 4.656 | 13.688 | III |
| 10-10133X-373 | 36 | 1.375 | 1.250 | 2.000 | 2.062 | 2.0625-16N | .562 | 3.246 | 2.312 | 4.292 | 9.688 | I |
| 10-10133X-374 | 36 | 1.562 | 1.437 | 2.250 | 2.312 | 2.0625-16N | .562 | 3.308 | 2.312 | 4.354 | 11.188 | III |
| 10-10133X-375 | 36 | 1.730 | 1.605 | 2.438 | 2.312 | 2.0625-16N | .672 | 3.500 | 2.312 | 4.656 | 13.688 | III |
| 10-10133X-376 | 36 | .530 | .441 | 1.000 | 1.875 | 2.0625-16N | .562 | 2.875 | 2.312 | 3.921 | 4.688 | II |
| 10-10133X-377 | 36 | 1.130 | 1.005 | 1.750 | 2.062 | 2.0625-16N | .562 | 3.184 | 2.312 | 4.230 | 7.188 | II |
| 10-10133X-378 | 36 | 1.180 | 1.055 | 1.750 | 2.062 | 2.0625-16N | .562 | 3.184 | 2.312 | 4.230 | 8.188 | II |
| 10-10133X-379 | 36 | 1.595 | 1.470 | 2.250 | 2.312 | 2.0625-16N | .562 | 3.308 | 2.312 | 4.354 | 11.688 | III |
| 10-10133X-401 | 40 | 1.310 | 1.200 | 1.750 | 2.312 | 2.3125-16N | .562 | 3.184 | 2.562 | 4.230 | 8.688 | II |
| 10-10133X-402 | 40 | 1.656 | 1.531 | 2.250 | 2.312 | 2.3125-16N | .562 | 3.308 | 2.562 | 4.354 | 12.688 | I |
| 10-10133X-403 | 40 | 1.101 | .984 | 1.500 | 2.312 | 2.3125-16N | .438 | 3.121 | 2.562 | 4.167 | 7.688 | II |
| 10-10133X-404 | 40 | 1.562 | 1.437 | 2.250 | 2.312 | 2.3125-16N | .562 | 3.308 | 2.562 | 4.354 | 11.188 | I |
| 10-10133X-405 | 40 | 1.375 | 1.250 | 2.000 | 2.312 | 2.3125-16N | .562 | 3.246 | 2.562 | 4.292 | 9.688 | II |
| 10-10133X-406 | 40 | 1.180 | 1.099 | 1.750 | 2.312 | 2.3125-16N | .562 | 3.184 | 2.562 | 4.230 | 8.188 | II |
| 10-10133X-407 | 40 | 1.900 | 1.775 | 2.438 | 2.500 | 2.3125-16N | .672 | 3.469 | 2.562 | 4.625 | 13.688 | III |
| 10-10133X-408 | 40 | 1.730 | 1.605 | 2.438 | 2.500 | 2.3125-16N | .672 | 3.469 | 2.562 | 4.625 | 13.688 | III |
| 10-10133X-409 | 40 | 1.825 | 1.700 | 2.438 | 2.500 | 2.3125-16N | .672 | 3.469 | 2.562 | 4.625 | 13.688 | III |
| 10-10133X-410 | 40 | 1.984 | 1.859 | 2.438 | 2.500 | 2.3125-16N | .672 | 3.469 | 2.562 | 4.625 | 13.688 | III |
| 10-10133X-411 | 40 | 1.445 | 1.320 | 2.000 | 2.312 | 2.3125-16N | .562 | 3.246 | 2.562 | 4.292 | 9.688 | II |
| 10-10133X-412 | 40 | 2.062 | 1.937 | 2.750 | 2.500 | 2.3125-16N | .672 | 3.500 | 2.562 | 4.656 | 14.188 | III |
| 10-10133X-413 | 40 | 2.100 | 1.955 | 2.750 | 2.500 | 2.3125-16N | .672 | 3.500 | 2.562 | 4.656 | 14.188 | III |
| 10-10133X-414 | 40 | 2.145 | 2.000 | 2.750 | 2.500 | 2.3125-16N | .672 | 3.500 | 2.562 | 4.656 | 14.188 | III |
| 10-10133X-415 | 40 | .957 | .857 | 1.250 | 2.125 | 2.3125-16N | .562 | 3.063 | 2.562 | 4.109 | 7.188 | II |
| 10-10133X-416 | 40 | 1.230 | 1.103 | 1.750 | 2.312 | 2.3125-16N | .562 | 3.184 | 2.562 | 4.230 | 8.188 | II |
| 10-10133X-417 | 40 | 1.055 | .958 | 1.500 | 2.312 | 2.3125-16N | .562 | 3.121 | 2.562 | 4.167 | 7.688 | II |
| 10-10133X-418 | 40 | .630 | .567 | 1.250 | 2.250 | 2.3125-16UN | .562 | 3.063 | 2.562 | 4.109 | 6.688 | II |
| 10-10133X-441 | 44 | 2.170 | 2.025 | 2.750 | 2.625 | 2.6250-16UN | .672 | 3.609 | 2.875 | 4.953 | 17.188 | III |
| 10-10133X-442 | 44 | 2.145 | 2.000 | 2.750 | 2.625 | 2.6250-16UN | .672 | 3.547 | 2.875 | 4.891 | 14.188 | III |
| 10-10133X-443 | 44 | 2.250 | 2.105 | 2.750 | 2.625 | 2.6250-16UN | .672 | 3.609 | 2.875 | 4.953 | 17.188 | III |
| 10-10133X-445 | 44 | 1.130 | 1.005 | 1.750 | 2.625 | 2.6250-16UN | .562 | 3.969 | 2.875 | 5.203 | 7.188 | II |
| 10-10133X-446 | 44 | 1.109 | .984 | 1.500 | 2.500 | 2.6250-16UN | .562 | 3.905 | 2.875 | 5.140 | 7.688 | II |
| 10-10133X-449 | 44 | 1.445 | 1.320 | 2.000 | 2.562 | 2.6250-16UN | .562 | 4.031 | 2.875 | 5.265 | 9.688 | II |
| 10-10133X-481 | 48 | 1.900 | 1.775 | 2.438 | 2.812 | 2.8750-16N | .562 | 3.203 | 3.125 | 4.547 | 13.688 | II |
| 10-10133X-482 | 48 | 2.000 | 1.867 | 2.750 | 2.969 | 2.8750-16N | .672 | 4.281 | 3.125 | 5.625 | 14.188 | II |
| 10-10133X-483 | 48 | 2.250 | 2.105 | 2.750 | 2.750 | 2.8750-16N | .672 | 4.406 | 3.125 | 5.750 | 17.188 | I |
| 10-10133X-484 | 48 | 2.170 | 2.025 | 2.750 | 2.750 | 2.8750-16N | .672 | 4.406 | 3.125 | 5.750 | 17.188 | I |

*For complete order number see pages 4 and 5.

QWL – accessories

10-113637

cable sealing adapter (with woven strain relief)



QWL – accessories

10-113637

cable sealing adapter (with woven strain relief)

All dimensions are for reference only.

| Part Number* | Used With Shell Size | Cable Range | | B +.000 -.010 | C +.010 -.000 | D Thread Class 2B-LH | E Free ±.035 | F +.010 -.020 | G Dia. +.010 -.020 | H ±.045 | K Free Approx. | Type |
|---------------|----------------------|-------------|-----------|---------------------|---------------------|-------------------------|--------------------|---------------------|-----------------------------|------------|----------------------|------|
| | | Max. Dia. | Min. Dia. | | | | | | | | | |
| 10-113637-141 | 14S | .337 | .281 | .750 | .750 | .7500-20UNEF | .500 | 5.282 | .938 | 6.094 | 3.344 | I |
| 10-113637-142 | 14S | .405 | .316 | 1.000 | 1.000 | .7500-20UNEF | .562 | 5.500 | .938 | 6.374 | 3.688 | III |
| 10-113637-143 | 14S | .530 | .441 | 1.000 | 1.000 | .7500-20UNEF | .562 | 5.500 | .938 | 6.374 | 4.688 | III |
| 10-113637-144 | 14S | .463 | .406 | .875 | .938 | .7500-20UNEF | .500 | 5.344 | .938 | 6.156 | 4.344 | III |
| 10-113637-171 | 16 | .699 | .605 | 1.062 | 1.125 | .8750-20UNEF | .562 | 5.563 | 1.062 | 6.609 | 6.188 | III |
| 10-113637-172 | 16 | .530 | .441 | 1.000 | 1.000 | .8750-20UNEF | .562 | 5.500 | 1.062 | 6.546 | 4.688 | III |
| 10-113637-181 | 18 | .828 | .715 | 1.125 | 1.250 | 1.0000-20UNEF | .562 | 6.657 | 1.188 | 7.703 | 6.688 | III |
| 10-113637-201 | 20 | .750 | .637 | 1.250 | 1.312 | 1.1250-18NEF | .562 | 6.000 | 1.312 | 7.046 | 6.688 | III |
| 10-113637-202 | 20 | .984 | .875 | 1.500 | 1.625 | 1.1250-18NEF | .562 | 6.750 | 1.312 | 7.796 | 7.188 | III |
| 10-113637-203 | 20 | .900 | .791 | 1.250 | 1.312 | 1.1250-18UNEF | .562 | 6.000 | 1.312 | 7.046 | 7.188 | III |
| 10-113637-221 | 22 | .750 | .637 | 1.250 | 1.312 | 1.2500-18NEF | .562 | 6.000 | 1.438 | 7.046 | 6.688 | III |
| 10-113637-222 | 22 | .699 | .605 | 1.062 | 1.312 | 1.2500-18NEF | .562 | 5.063 | 1.438 | 6.109 | 6.188 | II |
| 10-113637-223 | 22 | 1.055 | .958 | 1.500 | 1.625 | 1.2500-18NEF | .562 | 6.750 | 1.438 | 7.796 | 7.688 | III |
| 10-113637-224 | 22 | 1.828 | .715 | 1.125 | 1.250 | 1.2500-18NEF | .562 | 5.625 | 1.438 | 6.671 | 6.688 | I |
| 10-113637-225 | 22 | .589 | .511 | 1.000 | 1.250 | 1.2500-18NEF | .562 | 5.500 | 1.438 | 6.546 | 5.188 | II |
| 10-113637-241 | 24 | .957 | .857 | 1.250 | 1.375 | 1.3750-18NEF | .562 | 6.000 | 1.562 | 7.046 | 7.188 | I |
| 10-113637-242 | 24 | .750 | .637 | 1.250 | 1.375 | 1.3750-18NEF | .562 | 6.000 | 1.562 | 7.046 | 6.688 | I |
| 10-113637-243 | 24 | 1.101 | .984 | 1.500 | 1.625 | 1.3750-18NEF | .562 | 6.750 | 1.562 | 7.796 | 7.688 | III |
| 10-113637-244 | 24 | 1.000 | .875 | 1.500 | 1.625 | 1.3750-18NEF | .562 | 6.750 | 1.562 | 7.796 | 7.188 | III |
| 10-113637-245 | 24 | 1.180 | 1.055 | 1.750 | 1.812 | 1.3750-18NEF | .562 | 6.813 | 1.562 | 7.859 | 8.188 | III |
| 10-113637-246 | 24 | .805 | .692 | 1.250 | 1.375 | 1.3750-18NEF | .562 | 6.000 | 1.562 | 7.046 | 6.688 | I |
| 10-113637-281 | 28 | 1.000 | .875 | 1.500 | 1.562 | 1.6250-18NEF | .562 | 6.750 | 1.812 | 7.796 | 7.188 | I |
| 10-113637-282 | 28 | 1.900 | 1.775 | 2.438 | 2.438 | 1.6250-18NEF | .672 | 8.125 | 1.812 | 9.281 | 13.688 | III |
| 10-113637-283 | 28 | 1.375 | 1.250 | 2.000 | 2.000 | 1.6250-18NEF | .562 | 6.875 | 1.812 | 7.921 | 9.688 | III |
| 10-113637-284 | 28 | .750 | .637 | 1.250 | 1.562 | 1.6250-18NEF | .562 | 5.750 | 1.812 | 6.796 | 6.688 | II |
| 10-113637-285 | 28 | 1.101 | .984 | 1.500 | 1.562 | 1.6250-18NEF | .562 | 6.750 | 1.812 | 7.796 | 7.688 | I |
| 10-113637-286 | 28 | 1.130 | 1.005 | 1.750 | 1.875 | 1.6250-18NEF | .562 | 6.813 | 1.812 | 7.859 | 7.188 | III |
| 10-113637-287 | 28 | .900 | .791 | 1.250 | 1.562 | 1.6250-18NEF | .562 | 5.750 | 1.812 | 6.796 | 7.188 | II |
| 10-113637-288 | 28 | 1.427 | 1.320 | 2.000 | 2.000 | 1.6250-18NEF | .562 | 6.875 | 1.812 | 7.921 | 9.688 | III |
| 10-113637-289 | 28 | 1.180 | 1.099 | 1.750 | 1.875 | 1.6250-18NEF | .562 | 6.812 | 1.812 | 7.858 | 8.188 | III |
| 10-113637-290 | 28 | 1.055 | .958 | 1.500 | 1.562 | 1.6250-18NEF | .562 | 6.750 | 1.812 | 7.796 | 7.688 | I |
| 10-113637-291 | 28 | .957 | .857 | 1.250 | 1.562 | 1.6250-18NEF | .562 | 5.750 | 1.812 | 6.796 | 7.188 | II |
| 10-113637-292 | 28 | 1.310 | 1.200 | 1.750 | 1.875 | 1.6250-18NEF | .562 | 6.813 | 1.812 | 7.859 | 8.688 | III |
| 10-113637-293 | 28 | .530 | .441 | 1.000 | 1.625 | 1.6250-18NEF | .562 | 6.500 | 1.812 | 7.546 | 4.688 | II |
| 10-113637-294 | 28 | 1.230 | 1.105 | 1.750 | 1.875 | 1.6250-18NEF | .562 | 6.813 | 1.812 | 7.859 | 8.188 | III |
| 10-113637-295 | 28 | .630 | .535 | 1.250 | 1.562 | 1.6250-18NEF | .562 | 5.750 | 1.812 | 6.796 | 5.688 | II |

*For complete order number see pages 4 and 5.

QWL – accessories

10-113637

cable sealing adapter (with woven strain relief)

All dimensions are for reference only.

| Part Number* | Used With Shell Size | Cable Range | | B +.000 -.010 | C +.010 -.000 | D Thread Class 2B-LH | E Free ±.035 | F +.010 -.020 | G Dia. +.010 -.020 | H ±.045 | K Free Approx. | Type |
|---------------|----------------------|-----------------------|-----------------------|---------------------|---------------------|-------------------------|--------------------|---------------------|-----------------------------|------------|----------------------|------|
| | | Max. Dia. | Min. Dia. | | | | | | | | | |
| 10-113637-321 | 32 | .828 | .715 | 1.125 | 1.844 | 1.8750-16N | .594 | 7.625 | 2.062 | 8.703 | 6.688 | II |
| 10-113637-322 | 32 | 1.310 | 1.200 | 1.750 | 1.812 | 1.8750-16UN | .562 | 6.812 | 2.062 | 7.858 | 8.688 | I |
| 10-113637-323 | 32 | 1.130 | 1.005 | 1.750 | 1.812 | 1.8750-16UN | .562 | 6.812 | 2.062 | 7.858 | 7.188 | I |
| 10-113637-324 | 32 | 1.375 | 1.250 | 2.000 | 2.000 | 1.8750-16UN | .562 | 7.875 | 2.062 | 8.921 | 9.688 | III |
| 10-113637-325 | 32 | 1.445 | 1.320 | 2.000 | 2.000 | 1.8750-16UN | .562 | 7.875 | 2.062 | 8.921 | 9.688 | III |
| 10-113637-326 | 32 | 1.180 | 1.099 | 1.750 | 1.812 | 1.8750-16UN | .562 | 6.812 | 2.062 | 7.858 | 8.188 | I |
| 10-113637-327 | 32 | 1.656 | 1.531 | 2.250 | 2.250 | 1.8750-16UN | .562 | 7.141 | 2.062 | 8.187 | 12.688 | III |
| 10-113637-328 | 32 | .970 | .857 | 1.250 | 1.844 | 1.8750-16UN | .562 | 6.688 | 2.062 | 7.734 | 7.188 | II |
| 10-113637-361 | 36 | 1.375 | 1.250 | 2.000 | 2.000 | 2.0625-16N | .562 | 6.875 | 2.312 | 7.921 | 9.688 | I |
| 10-113637-362 | 36 | 1.000 | .875 | 1.500 | 2.000 | 2.0625-16N | .562 | 6.750 | 2.312 | 7.796 | 7.188 | II |
| 10-113637-363 | 36 | 1.920 x 1.140 oval | 1.920 x 1.140 oval | 2.438 | 2.438 | 2.0625-16N | .672 | 8.125 | 2.312 | 9.281 | 13.688 | III |
| 10-113637-364 | 36 | 1.230 | 1.105 | 1.750 | 2.000 | 2.0625-16N | .562 | 6.813 | 2.312 | 7.859 | 8.188 | II |
| 10-113637-365 | 36 | 1.562 | 1.437 | 2.250 | 2.250 | 2.0625-16N | .562 | 6.938 | 2.312 | 7.984 | 11.188 | III |
| 10-113637-366 | 36 | 1.656 | 1.531 | 2.250 | 2.250 | 2.0625-16N | .562 | 6.938 | 2.312 | 7.984 | 11.188 | III |
| 10-113637-367 | 36 | 1.445 | 1.320 | 2.000 | 2.000 | 2.0625-16N | .562 | 6.875 | 2.312 | 7.921 | 9.688 | I |
| 10-113637-368 | 36 | 1.825 | 1.700 | 2.438 | 2.500 | 2.0625-16N | .672 | 9.125 | 2.312 | 9.281 | 13.688 | III |
| 10-113637-369 | 36 | 1.895 | 1.775 | 2.438 | 2.438 | 2.0625-16N | .672 | 8.125 | 2.312 | 9.281 | 13.688 | III |
| 10-113637-370 | 36 | 1.730 | 1.605 | 2.438 | 2.438 | 2.0625-16N | .672 | 8.125 | 2.312 | 9.281 | 13.688 | III |
| 10-113637-371 | 36 | 1.310 | 1.200 | 1.750 | 2.000 | 2.0625-16N | .562 | 6.813 | 2.312 | 7.859 | 8.688 | II |
| 10-113637-401 | 40 | 1.906 | 1.761 | 2.750 | 2.438 | 2.3125-16N | .672 | 8.125 | 2.562 | 9.281 | 14.188 | III |
| 10-113637-402 | 40 | 1.940 | 1.815 | 2.438 | 2.438 | 2.3125-16N | .672 | 8.125 | 2.562 | 9.281 | 13.688 | III |
| 10-113637-403 | 40 | 1.900 | 1.775 | 2.438 | 2.438 | 2.3125-16N | .672 | 8.125 | 2.562 | 9.281 | 13.688 | III |
| 10-113637-404 | 40 | 1.825 | 1.700 | 2.438 | 2.438 | 2.3125-16N | .672 | 8.125 | 2.562 | 9.281 | 13.688 | III |
| 10-113637-405 | 40 | 1.310 | 1.200 | 1.750 | 2.250 | 2.3125-16N | .562 | 7.813 | 2.562 | 8.859 | 8.688 | II |
| 10-113637-406 | 40 | 1.180 | 1.099 | 1.750 | 2.250 | 2.3125-16N | .562 | 7.813 | 2.562 | 8.859 | 8.188 | II |
| 10-113637-407 | 40 | 1.230 | 1.105 | 1.750 | 2.250 | 2.3125-16N | .562 | 7.813 | 2.562 | 8.859 | 8.188 | II |
| 10-113637-408 | 40 | 1.656 | 1.531 | 2.250 | 2.250 | 2.3125-16N | .562 | 7.938 | 2.562 | 8.984 | 11.188 | I |
| 10-113637-410 | 40 | 2.145 | 2.000 | 2.750 | 2.438 | 2.3125-16N | .672 | 8.125 | 2.562 | 9.281 | 14.188 | III |
| 10-113637-411 | 40 | 1.984 | 1.859 | 2.438 | 2.438 | 2.3125-16N | .672 | 8.125 | 2.562 | 9.281 | 13.688 | III |
| 10-113637-412 | 40 | 1.940 | 1.815 | 2.438 | 2.438 | 2.3125-16N | .672 | 11.125 | 2.562 | 12.281 | 13.688 | III |
| 10-113637-413 | 40 | 1.984 | 1.859 | 2.438 | 2.438 | 2.3125-16N | .672 | 11.125 | 2.562 | 12.281 | 13.688 | III |
| 10-113637-414 | 40 | 2.100 | 1.955 | 2.750 | 2.625 | 2.3125-16N | .672 | 12.000 | 2.562 | 13.156 | 14.188 | III |
| 10-113637-415 | 40 | 1.562 | 1.437 | 2.250 | 2.250 | 2.3125-16N | .562 | 7.938 | 2.562 | 8.984 | 11.188 | I |
| 10-113637-416 | 40 | 1.445 | 1.320 | 2.000 | 2.312 | 2.3125-16N | .562 | 6.875 | 2.562 | 7.921 | 9.688 | II |
| 10-113637-417 | 40 | 1.375 | 1.250 | 2.000 | 2.312 | 2.3125-16N | .562 | 6.875 | 2.562 | 7.921 | 9.688 | II |

*For complete order number see pages 4 and 5.

QWL – accessories

10-113637

cable sealing adapter (with woven strain relief)

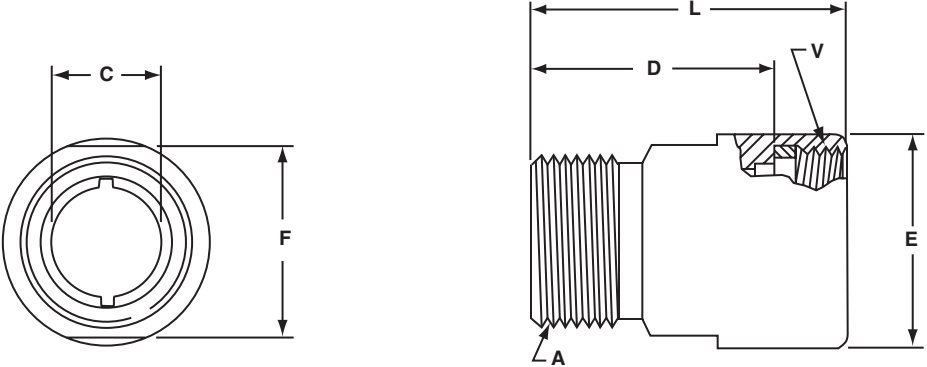
All dimensions are for reference only.

| Part Number* | Used With Shell Size | Cable Range | | B +.000 -.010 | C +.010 -.000 | D Thread Class 2B-LH | E Free ±.035 | F +.010 -.020 | G Dia +.010 -.020 | H ±.045 | K Free† Approx. | Type |
|---------------|----------------------|-------------|---------|---------------------|---------------------|-------------------------|--------------------|---------------------|----------------------------|------------|-----------------------|------|
| | | Max Dia | Min Dia | | | | | | | | | |
| 10-113637-441 | 44 | 2.100 | 1.955 | 2.750 | 2.750 | 2.6250-16UN | .672 | 8.125 | 2.875 | 9.469 | 14.188 | III |
| 10-113637-442 | 44 | 2.250 | 2.105 | 2.750 | 2.875 | 2.6250-16UN | .672 | 8.188 | 2.875 | 9.531 | 17.188 | III |
| 10-113637-443 | 44 | 2.000 | 1.867 | 2.750 | 2.750 | 2.6250-16UN | .672 | 8.125 | 2.875 | 9.469 | 14.188 | III |
| 10-113637-444 | 44 | 1.500 | 1.375 | 2.250 | 2.500 | 2.6250-16UN | .562 | 7.938 | 2.875 | 9.171 | 11.188 | II |
| 10-113637-445 | 44 | 1.730 | 1.605 | 2.438 | 2.750 | 2.6250-16UN | .672 | 8.125 | 2.875 | 9.469 | 13.688 | II |
| 10-113637-446 | 44 | .750 | .637 | 1.250 | 2.625 | 2.6250-16UN | .562 | 6.688 | 2.875 | 7.921 | 6.688 | II |
| 10-113637-447 | 44 | 1.825 | 1.700 | 2.438 | 2.750 | 2.6250-16UN | .672 | 8.125 | 2.875 | 9.469 | 13.688 | II |
| 10-113637-448 | 44 | 2.145 | 2.000 | 2.750 | 2.750 | 2.6250-16UN | .672 | 8.125 | 2.875 | 9.469 | 14.188 | III |
| 10-113637-449 | 44 | 2.170 | 2.025 | 2.750 | 2.875 | 2.6250-16UN | .672 | 8.188 | 2.875 | 9.532 | 17.188 | III |
| 10-113637-450 | 44 | 1.375 | 1.250 | 2.000 | 2.625 | 2.6250-16UN | .562 | 7.875 | 2.875 | 9.109 | 9.688 | II |
| 10-113637-481 | 48 | 2.250 | 2.105 | 2.750 | 2.750 | 2.8750-16N | .672 | 8.188 | 3.125 | 9.532 | 14.688 | I |
| 10-113637-482 | 48 | 2.500 | 2.355 | 2.875 | 2.875 | 2.8750-16N | .672 | 8.188 | 3.125 | 9.532 | 18.188 | III |
| 10-113637-483 | 48 | 2.375 | 2.230 | 2.875 | 2.875 | 2.8750-16N | .672 | 8.188 | 3.125 | 9.532 | 18.188 | III |
| 10-113637-484 | 48 | 2.145 | 2.000 | 2.750 | 2.875 | 2.8750-16N | .672 | 8.125 | 3.125 | 9.469 | 14.188 | II |
| 10-113637-485 | 48 | 2.000 | 1.867 | 2.750 | 2.875 | 2.8750-16N | .672 | 8.125 | 3.125 | 9.469 | 14.188 | II |
| 10-113637-486 | 48 | 1.656 | 1.531 | 2.250 | 2.750 | 2.8750-16UN | .562 | 7.937 | 3.125 | 9.171 | 12.688 | II |

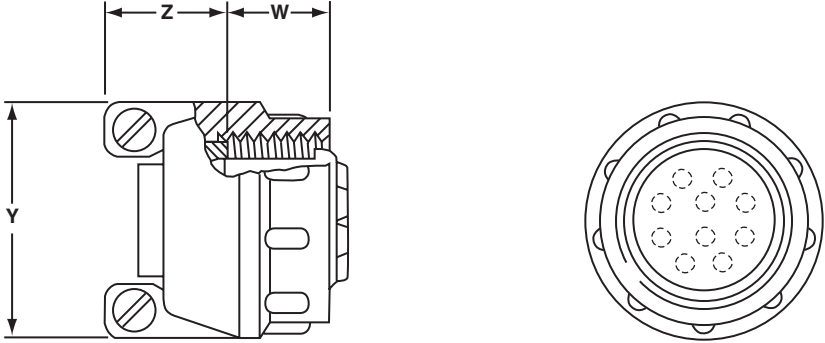
*For complete order number see pages 4 and 5.

QWL – accessories adapter, cable clamp

**10-113196-XX
adapter**



**10-749XX-()
cable clamp**



This cable clamp is designed to be used with specific QWL insert arrangements. The locations, quantity, and sizes of holes in the clamp grommet must correspond to those in the connector for an effective moisture seal without wire crossing. Contact Amphenol, Sidney, NY, for grommet availability. Example: 10-107618-4P must use 10-74918-4 clamp.

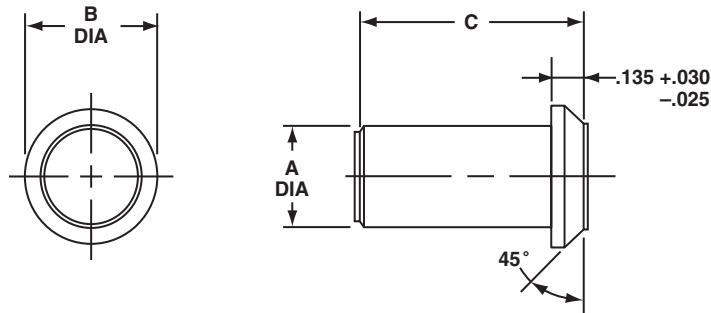
QWL – accessories

adapter, cable clamp, sealing plugs

All dimensions for reference only.

| Shell Size | Adapter Part Number* | Clamp Part Number* | A Thread Class 2A | C +.010 -.000 | D Dia. +.010 -.020 | E Dia. +.010 -.020 | F ±.010 | L ±.010 | V Thread Class 2B-LH | W Min. Thd. Engage | Y Max. | Z Max. |
|------------|----------------------|--------------------|-------------------|---------------------|--------------------------|--------------------------|------------|------------|----------------------|--------------------|--------|--------|
| 10S | 10-113196-10 | 10-74910-() | .500-28UNEF | .203 | .922 | .625 | .562 | 1.234 | .500-28UNEF | .519 | .807 | .529 |
| 12S | 10-113196-12 | 10-74912-() | .625-24NEF | .328 | .969 | .750 | .688 | 1.281 | .625-24NEF | .519 | .901 | .524 |
| 12 | 10-113196-13 | 10-74913-() | .625-24NEF | .328 | .954 | .750 | .688 | 1.438 | .625-24NEF | .519 | .901 | .524 |
| 14S | 10-113196-14 | 10-74914-() | .750-20UNEF | .453 | 1.094 | .875 | .812 | 1.406 | .750-20UNEF | .519 | 1.026 | .524 |
| 14 | 10-113196-15 | 10-74915-() | .750-20UNEF | .453 | .954 | .875 | .812 | 1.438 | .750-20UNEF | .519 | 1.026 | .524 |
| 16S | 10-113196-16 | 10-74916-() | .875-20UNEF | .578 | 1.094 | 1.000 | .938 | 1.406 | .875-20UNEF | .519 | 1.119 | .524 |
| 16 | 10-113196-17 | 10-74917-() | .875-20UNEF | .578 | 1.016 | 1.000 | .938 | 1.500 | .875-20UNEF | .519 | 1.119 | .524 |
| 18 | 10-113196-18 | 10-74918-() | 1.000-20UNEF | .676 | 1.141 | 1.188 | 1.062 | 1.625 | 1.000-20UNEF | .519 | 1.229 | .556 |
| 20 | 10-113196-20 | 10-74920-() | 1.1875-18NEF | .801 | 1.094 | 1.312 | 1.250 | 1.578 | 1.125-18NEF | .505 | 1.479 | .666 |
| 22 | 10-113196-22 | 10-74922-() | 1.1875-18NEF | .906 | 1.141 | 1.438 | 1.250 | 1.625 | 1.250-18NEF | .519 | 1.479 | .666 |
| 24 | 10-113196-24 | 10-74924-() | 1.4375-18NEF | 1.016 | 1.094 | 1.562 | 1.500 | 1.578 | 1.375-18NEF | .519 | 1.666 | .666 |
| 28 | 10-113196-28 | 10-74928-() | 1.4375-18NEF | 1.130 | 1.235 | 1.812 | 1.500 | 1.719 | 1.625-18NEF | .519 | 1.666 | .666 |
| 32 | 10-113196-32 | 10-74932-() | 1.7500-18NS | 1.438 | 1.204 | 2.062 | 1.875 | 1.688 | 1.875-16N | .519 | 2.135 | .805 |
| 36 | 10-113196-36 | 10-74936-() | 2.000-18NS | 1.678 | 1.266 | 2.250 | 2.125 | 1.750 | 2.0625-16N | .738 | 2.260 | .805 |
| 40 | 10-113196-40 | 10-74940-() | 2.2500-16UN | 1.914 | 1.266 | 2.500 | 2.375 | 1.750 | 2.3125-16N | .738 | 2.510 | .805 |

*For complete order number see page 5. Clamp 10-749XX-() has a bright cadmium finish. An olive drab cadmium plate finish is available by order number 71-749XX-(). To complete clamp order number, add connector insert arrangement number.



SEALING PLUG MS27488-XX 10-405996-XX

| Order No. | Contact Size | MS Number | Wire Size | Color Code | B ±.005 | C ±.010 | A Dia. ±.010 |
|--------------|--------------|-----------|-----------|------------|------------|------------|--------------------|
| 10-405996-16 | 16 | 27488-16 | 20-16 | Blue | .133 | .564* | .083 |
| 10-405996-12 | 12 | 27488-12 | 14-12 | Yellow | .171 | .564* | .121 |
| 10-405996-8 | 8 | 27488-8 | 10-8 | White | .315 | .470 | .185 |
| 10-405996-4 | 4 | 27488-4 | 4-6 | Blue | .415 | .470 | .310 |
| 10-405996-0 | 0 | 27488-0 | 0-2 | Yellow | .605 | 1.000 | .440 |

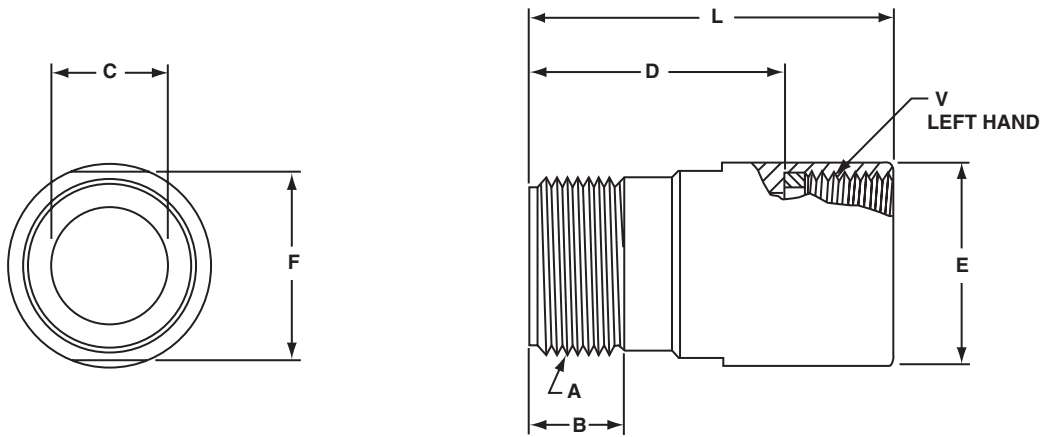
*±.020

Sealing plugs are used to fill unused holes in multi-holed grommet configurations

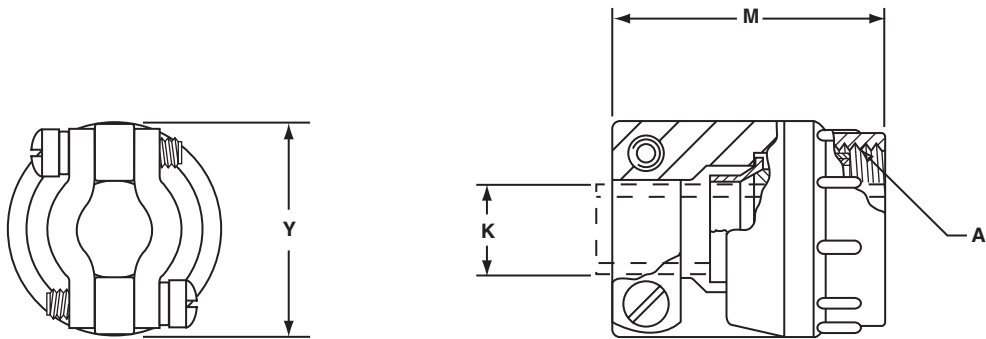
QWL – accessories

adapter, cable clamp

10-113138-XX
adapter



M85049/2-()C
cable clamp

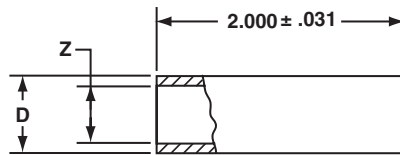


QWL – accessories

adapter, cable clamp, sleeve

| Shell Size | Adapter Part Number* | Clamp MS Part Number* | A Thread Class 2A (Plated) | B Min Full Thd | C Dia +.000 - .010 | D ±.020 | E Dia +.010 - .020 | F ±.010 | K Dia Cable Range | | L Max | M Max | V Thread Class 2B-LH | Y Max |
|------------|----------------------|-----------------------|----------------------------|----------------|--------------------|---------|--------------------|---------|-------------------|--------|-------|-------|----------------------|-------|
| | | | | | | | | | Free | Closed | | | | |
| 12 | 10-113138-12 | M85049/2-4C | .625-24UNEF | .422 | .386 | 1.078 | .750 | .688 | .302 | .094 | 1.390 | 1.375 | .625-24NEF | .906 |
| | 10-113138-13 | M85049/2-4C | .625-24NEF | .422 | .386 | 1.125 | .750 | .688 | | | 1.609 | | .625-24NEF | |
| 14 | 10-113138-14 | M85049/2-6C | .750-20UNEF | .422 | .500 | 1.078 | .875 | .812 | .428 | .230 | 1.390 | 1.375 | .750-20UNEF | 1.031 |
| | 10-113138-15 | M85049/2-6C | .750-20UNEF | .422 | .500 | 1.125 | .875 | .812 | | | 1.609 | | .750-20UNEF | |
| 16 | 10-113138-16 | M85049/2-8C | .875-20UNEF | .422 | .625 | 1.078 | 1.000 | .938 | .515 | .316 | 1.390 | 1.375 | .875-20UNEF | 1.125 |
| | 10-113138-17 | M85049/2-8C | .875-20UNEF | .422 | .625 | 1.125 | 1.000 | .938 | | | 1.609 | | .875-20UNEF | |
| 18 | 10-113138-18 | M85049/2-10C | 1.000-20UNEF | .422 | .752 | 1.125 | 1.188 | 1.062 | .614 | .378 | 1.609 | 1.437 | 1.000-20UNEF | 1.234 |
| 20 | 10-113138-20 | M85049/2-12C | 1.1875-18UNEF | .422 | .891 | 1.125 | 1.312 | 1.250 | .738 | .445 | 1.609 | 1.437 | 1.125-18NEF | 1.484 |
| 22 | 10-113138-22 | M85049/2-12C | 1.1875-18NEF | .422 | .891 | 1.125 | 1.438 | 1.250 | .738 | .445 | 1.609 | 1.437 | 1.250-18NEF | 1.484 |
| 24 | 10-113138-24 | M85049/2-16C | 1.4375-18UNEF | .422 | 1.111 | 1.125 | 1.562 | 1.500 | .926 | .611 | 1.609 | 1.562 | 1.375-18NEF | 1.671 |
| 28 | 10-113138-28 | M85049/2-16C | 1.4375-18NEF | .422 | 1.111 | 1.297 | 1.812 | 1.500 | .926 | .611 | 1.781 | 1.562 | 1.625-18NEF | 1.671 |
| 32 | 10-113138-32 | M85049/2-20C | 1.750-18UNS | .484 | 1.422 | 1.297 | 2.062 | 1.875 | 1.200 | .922 | 1.781 | 1.812 | 1.875-16UN | 2.188 |
| 36 | 10-113138-36 | M85049/2-24C | 2.000-18UNS | .562 | 1.672 | 1.297 | 2.250 | 2.125 | 1.363 | .922 | 1.781 | 2.062 | 2.0625-16N | 2.344 |
| 40 | 10-113138-40 | M85049/2-28C | 2.250-16UN | .562 | 1.914 | 1.297 | 2.500 | 2.375 | 1.611 | 1.180 | 1.781 | 2.062 | 2.3125-16N | 2.594 |
| 44 | 10-113138-44 | M85049/2-32C | 2.500-16UN | .562 | 2.142 | 1.297 | 2.812 | 2.625 | 1.865 | 1.427 | 1.781 | 2.188 | 2.625-16UN | 2.812 |

MS3420-()A sleeve



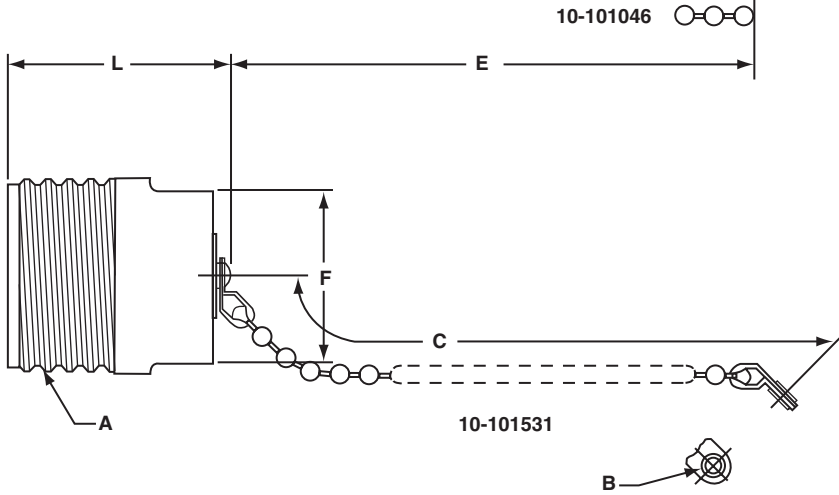
| Shell Size | Sleeve MS Part Number | D Dia. ±.016 | Z Dia | |
|------------|-----------------------|--------------|------------|--------|
| | | | Free ±.016 | Closed |
| 12 | MS3420-4A | .302 | .219 | .010 |
| 14 | MS3420-4A | .302 | .219 | .020 |
| | MS3420-6A | .427 | .312 | .114 |
| 16 | MS3420-6A | .427 | .312 | .085 |
| | MS3420-8A | .531 | .438 | .220 |
| 18 | MS3420-6A | .427 | .312 | .085 |
| | MS3420-10A | .615 | .438 | .200 |
| 20 | MS3420-10A | .615 | .438 | .177 |
| | MS3420-12A | .740 | .541 | .270 |
| 22 | MS3420-10A | .615 | .438 | .177 |
| | MS3420-12A | .740 | .541 | .270 |
| 24 | MS3420-8A | .531 | .438 | .186 |
| | MS3420-12A | .740 | .541 | .260 |
| | MS3420-16A | .927 | .750 | .433 |
| 26 | MS3420-8A | .531 | .438 | .186 |
| | MS3420-12A | .740 | .541 | .260 |
| | MS3420-16A | .927 | .750 | .433 |
| 32 | MS3420-12A | .740 | .541 | .273 |
| | MS3420-16A | .927 | .750 | .442 |
| | MS3420-20A | 1.240 | .938 | .620 |
| 36 | MS3420-16A | .927 | .750 | .358 |
| | MS3420-20A | 1.240 | .938 | .504 |
| | MS3420-24A | 1.365 | 1.125 | .682 |
| 40 | MS3420-16A | .927 | .750 | .368 |
| | MS3420-20A | 1.240 | .938 | .514 |
| | MS3420-28A | 1.614 | 1.250 | .816 |
| 44 | MS3420-20A | 1.240 | .938 | .638 |
| | MS3420-28A | 1.614 | 1.250 | .897 |
| | MS3420-32A | 1.865 | 1.625 | 1.229 |

Sleeve not supplied as part of MS3057-()C assembly. Order separately by part number shown.

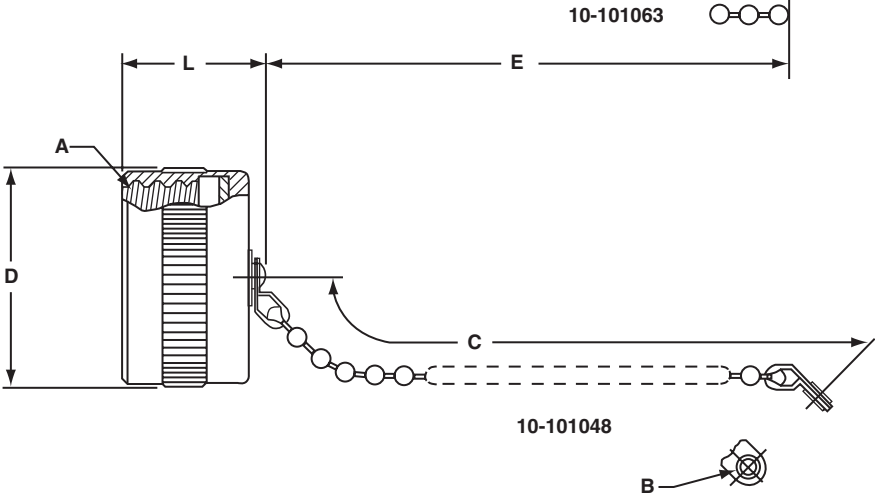
QWL – accessories

protection caps

10-101046-(), 10-101531-()
plug protective covers



10-101063-(), 10-101048-()
receptacle protective covers



QWL – accessories

protection caps

All dimensions for reference only.

| Shell Size | Without Eyelet End Part Number* | With Eyelet End Part Number* | A Thread Class 2A | B Dia +.010 -.000 | C Approx. | E Approx. | F Flat ±.010 | L Max. |
|------------|---------------------------------|------------------------------|---------------------|-------------------------|-----------|-----------|--------------|--------|
| 10 | 10-101046-10 | 10-101531-10 | .6250-0.05P-0.1L-DS | .125 | 3.000 | 3.375 | .500 | 1.250 |
| 12 | 10-101046-12 | 10-101531-12 | .7500-0.1P-0.2L-DS | .125 | 3.500 | 3.875 | .625 | 1.438 |
| 14 | 10-101046-14 | 10-101531-14 | .8750-0.1P-0.2L-DS | .125 | 3.500 | 3.875 | .750 | 1.438 |
| 16 | 10-101046-16 | 10-101531-16 | 1.0000-0.1P-0.2L-DS | .140 | 3.500 | 3.875 | .875 | 1.438 |
| 18 | 10-101046-18 | 10-101531-18 | 1.1250-0.1P-0.2L-DS | .140 | 3.500 | 4.000 | 1.000 | 1.438 |
| 20 | 10-101046-20 | 10-101531-20 | 1.2500-0.1P-0.2L-DS | .193 | 4.000 | 4.500 | 1.062 | 1.438 |
| 22 | 10-101046-22 | 10-101531-22 | 1.3750-0.1P-0.2L-DS | .193 | 4.000 | 4.500 | 1.125 | 1.438 |
| 24 | 10-101046-24 | 10-101531-24 | 1.5000-0.1P-0.2L-DS | .193 | 4.500 | 5.000 | 1.250 | 1.438 |
| 28 | 10-101046-28 | 10-101531-28 | 1.7500-0.1P-0.2L-DS | .193 | 4.500 | 5.000 | 1.500 | 1.438 |
| 32 | 10-101046-32 | 10-101531-32 | 2.0000-0.1P-0.2L-DS | .193 | 5.000 | 5.500 | 1.750 | 1.438 |
| 36 | 10-101046-36 | 10-101531-36 | 2.2500-0.1P-0.2L-DS | .193 | 5.000 | 5.500 | 2.000 | 1.438 |
| 40 | 10-101046-40 | 10-101531-40 | 2.5000-0.1P-0.2L-DS | .193 | 5.000 | 5.500 | 2.250 | 1.438 |
| 44 | 10-101046-44 | 10-101531-44 | 2.7500-0.1P-0.2L-DS | .193 | 6.000 | 6.000 | 2.500 | 1.438 |
| 48 | 10-101046-48 | 10-101531-48 | 3.0000-0.1P-0.2L-DS | .193 | 6.000 | 6.000 | 2.750 | 1.438 |

*For complete order number see page 5.

All dimensions for reference only.

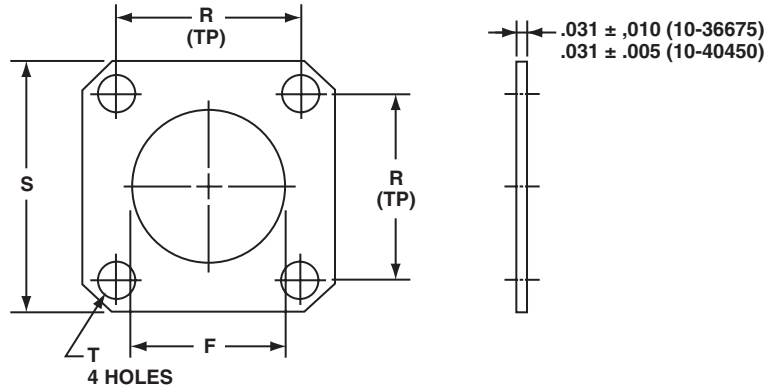
| Shell Size | Without Eyelet End Part Number* | With Eyelet End Part Number* | A Thread Class 2B | B Dia +.010 -.000 | C Approx. | D Dia. Max. | E Approx. | L Max. |
|------------|---------------------------------|------------------------------|---------------------|-------------------------|-----------|-------------|-----------|--------|
| 10 | 10-101063-10 | 10-101048-10 | .6250-0.05P-0.1L-DS | .140 | 3.000 | .844 | 3.375 | .750 |
| 12 | 10-101063-12 | 10-101048-12 | .7500-0.1P-0.2L-DS | .140 | 3.500 | .969 | 3.875 | .750 |
| 14 | 10-101063-14 | 10-101048-14 | .8750-0.1P-0.2L-DS | .140 | 3.500 | 1.094 | 3.875 | .750 |
| 16 | 10-101063-16 | 10-101048-16 | 1.0000-0.1P-0.2L-DS | .140 | 3.500 | 1.219 | 3.875 | .750 |
| 18 | 10-101063-18 | 10-101048-18 | 1.1250-0.1P-0.2L-DS | .193 | 3.500 | 1.344 | 4.000 | .969 |
| 20 | 10-101063-20 | 10-101048-20 | 1.2500-0.1P-0.2L-DS | .193 | 4.000 | 1.469 | 4.500 | .969 |
| 22 | 10-101063-22 | 10-101048-22 | 1.3750-0.1P-0.2L-DS | .193 | 4.000 | 1.562 | 4.500 | .969 |
| 24 | 10-101063-24 | 10-101048-24 | 1.5000-0.1P-0.2L-DS | .193 | 4.500 | 1.688 | 5.000 | .969 |
| 28 | 10-101063-28 | 10-101048-28 | 1.7500-0.1P-0.2L-DS | .193 | 4.500 | 1.938 | 5.000 | .969 |
| 32 | 10-101063-32 | 10-101048-32 | 2.0000-0.1P-0.2L-DS | .193 | 5.000 | 2.219 | 5.500 | .969 |
| 36 | 10-101063-36 | 10-101048-36 | 2.2500-0.1P-0.2L-DS | .193 | 5.000 | 2.469 | 5.500 | .969 |
| 40 | 10-101063-40 | 10-101048-40 | 2.5000-0.1P-0.2L-DS | .193 | 5.000 | 2.719 | 5.500 | .969 |
| 44 | 10-101063-44 | 10-101048-44 | 2.7500-0.1P-0.2L-DS | .193 | 6.000 | 2.969 | 6.000 | .969 |
| 48 | 10-101063-48 | 10-101048-48 | 3.0000-0.1P-0.2L-DS | .193 | 6.000 | 3.219 | 6.000 | .969 |

*For complete order number see page 5.

QWL – accessories

flange gasket, grip banding clamp

10-36675-()
10-40450-()
flange gaskets

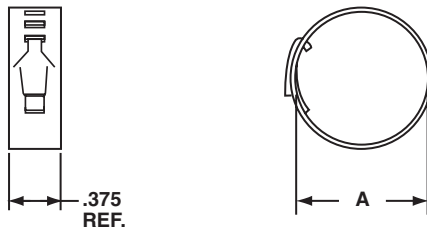


All dimensions for reference only.

| Part Number* | Part Number* | Shell Size | F Dia. +.016 -.000 | R ±.010 | S +.016 -.000 | T Dia. ±.010 |
|--------------|--------------|------------|--------------------------|------------|---------------------|-----------------|
| 10-36675-10 | 10-40450-10 | 10 | .625 | .719 | 1.000 | .172 |
| 10-36675-12 | 10-40450-12 | 12 | .750 | .813 | 1.094 | .172 |
| 10-36675-14 | 10-40450-14 | 14 | .875 | .906 | 1.188 | .172 |
| 10-36675-16 | 10-40450-16 | 16 | 1.000 | .969 | 1.281 | .172 |
| 10-36675-18 | 10-40450-18 | 18 | 1.125 | 1.063 | 1.375 | .203 |
| 10-36675-20 | 10-40450-20 | 20 | 1.250 | 1.156 | 1.500 | .203 |
| 10-36675-22 | 10-40450-22 | 22 | 1.375 | 1.250 | 1.625 | .203 |
| 10-36675-24 | 10-40450-24 | 24 | 1.500 | 1.375 | 1.750 | .203 |
| 10-36675-28 | 10-40450-28 | 28 | 1.750 | 1.563 | 2.000 | .203 |
| 10-36675-32 | 10-40450-32 | 32 | 2.000 | 1.750 | 2.250 | .219 |
| 10-36675-36 | 10-40450-36 | 36 | 2.188 | 1.938 | 2.500 | .219 |
| 10-36675-40 | 10-40450-40 | 40 | 2.438 | 2.188 | 2.750 | .219 |
| 10-36675-44 | 10-40450-44 | 44 | 2.688 | 2.375 | 3.000 | .219 |
| 10-36675-48 | 10-40450-48 | 48 | 2.938 | 2.625 | 3.250 | .219 |

*For complete order number see page 5.

10-183249-()
grip banding clamp



All dimensions for reference only.

| Part Number* | A Dia. | |
|--------------|--------|-------|
| | Max. | Min. |
| 10-183249-10 | 1.125 | .812 |
| 10-183249-11 | 1.312 | .938 |
| 10-183249-12 | 1.500 | 1.125 |
| 10-183249-13 | 1.688 | 1.312 |
| 10-183249-14 | 1.875 | 1.500 |
| 10-183249-15 | 2.062 | 1.688 |
| 10-183249-16 | 2.250 | 1.875 |
| 10-183249-17 | 2.438 | 2.062 |
| 10-183249-18 | 2.625 | 2.250 |
| 10-183249-19 | 2.812 | 2.438 |
| 10-183249-20 | 3.000 | 2.625 |

*For complete order number see page 5.

Компания «Океан Электроники» предлагает заключение долгосрочных отношений при поставках импортных электронных компонентов на взаимовыгодных условиях!

Наши преимущества:

- Поставка оригинальных импортных электронных компонентов напрямую с производств Америки, Европы и Азии, а так же с крупнейших складов мира;
- Широкая линейка поставок активных и пассивных импортных электронных компонентов (более 30 млн. наименований);
- Поставка сложных, дефицитных, либо снятых с производства позиций;
- Оперативные сроки поставки под заказ (от 5 рабочих дней);
- Экспресс доставка в любую точку России;
- Помощь Конструкторского Отдела и консультации квалифицированных инженеров;
- Техническая поддержка проекта, помощь в подборе аналогов, поставка прототипов;
- Поставка электронных компонентов под контролем ВП;
- Система менеджмента качества сертифицирована по Международному стандарту ISO 9001;
- При необходимости вся продукция военного и аэрокосмического назначения проходит испытания и сертификацию в лаборатории (по согласованию с заказчиком);
- Поставка специализированных компонентов военного и аэрокосмического уровня качества (Xilinx, Altera, Analog Devices, Intersil, Interpoint, Microsemi, Actel, Aeroflex, Peregrine, VPT, Syfer, Eurofarad, Texas Instruments, MS Kennedy, Miteq, Cobham, E2V, MA-COM, Hittite, Mini-Circuits, General Dynamics и др.);

Компания «Океан Электроники» является официальным дистрибьютором и эксклюзивным представителем в России одного из крупнейших производителей разъемов военного и аэрокосмического назначения «JONHON», а так же официальным дистрибьютором и эксклюзивным представителем в России производителя высокотехнологичных и надежных решений для передачи СВЧ сигналов «FORSTAR».



JONHON

«JONHON» (основан в 1970 г.)

Разъемы специального, военного и аэрокосмического назначения:

(Применяются в военной, авиационной, аэрокосмической, морской, железнодорожной, горно- и нефтедобывающей отраслях промышленности)

«FORSTAR» (основан в 1998 г.)

ВЧ соединители, коаксиальные кабели, кабельные сборки и микроволновые компоненты:

(Применяются в телекоммуникациях гражданского и специального назначения, в средствах связи, РЛС, а так же военной, авиационной и аэрокосмической отраслях промышленности).



Телефон: 8 (812) 309-75-97 (многоканальный)

Факс: 8 (812) 320-03-32

Электронная почта: ocean@oceanchips.ru

Web: <http://oceanchips.ru/>

Адрес: 198099, г. Санкт-Петербург, ул. Калинина, д. 2, корп. 4, лит. А