



FCIconnect.com

Copyright FCI.

1

2

List of "SFW\_\_R-1/2STAE1LF" customer document

| DOCUMENT NO. | LIST   |
|--------------|--|
| SC-SFW14     | SPEC.  |
| JSA95886     | CAT.NO.TABLE FOR 1mm SPACING SMT CONNECTOR (SFW__R-1/2STA__LF)                       |
| JSA95887     | 1mm SPACING SMT CONNECTOR (SFW__R-1STA__LF)  |
| JSA96111     | 1mm SPACING SMT CONNECTOR (SFW__R-2STA__LF)  |
| JSA95888     | CAT.NO.TABLE FOR PLASTIC TAPE PACKAGED 1mm SPACING SMT CONNECTOR (SFW__R-1/2STAE1LF) |
| JSA95889     | PLASTIC TAPE PACKAGED 1mm SPACING SMT CONNECTOR (SFW__R-1STAE1LF)                    |
| JSA96112     | PLASTIC TAPE PACKAGED 1mm SPACING SMT CONNECTOR (SFW__R-2STAE1LF)                    |
| JSA95890     | RECOMMENDED CABLE (FPC) (SFW__R-1/2ST__)   |
| GS-20-129    | HANDLING PROCEDURES  |

|               |  |  |  |                       |  |                            |  |            |  |                                       |  |   |  |
|---------------|--|--|--|-----------------------|--|----------------------------|--|------------|--|---------------------------------------|--|---|--|
| mat'l. code - |  |  |  | surface ISO 1302 58 ✓ |  | tolerance ISO 406 ISO 1101 |  | projection |  | product family 58RF                   |  | CODE JP                                 |  |
| ltr           |  |  |  | ecn no                |  | dr                         |  | date       |  | tolerances unless otherwise specified |  | title                                   |  |
| A             |  |  |  | J05-0055              |  | H.T                        |  | '05/2/4    |  | angles linear                         |  | 1mm SPACING FPC CONNECTOR DOCUMENT LIST |  |
| B             |  |  |  | J06-0398              |  | H.T                        |  | 9/26/'06   |  | mm                                    |  | (Cat. No. : SFW__R-1/2STAE1LF)          |  |
| C             |  |  |  | J09-0358              |  | M.Y                        |  | 2009-10-5  |  | scale X                               |  | dwg no                                  |  |
| D             |  |  |  | J09-0380              |  | M.Y                        |  | 2009-10-27 |  |                                       |  | sheet 1 of 1 size                       |  |
|               |  |  |  |                       |  |                            |  |            |  |                                       |  | JSA96337 A4                             |  |
|               |  |  |  |                       |  |                            |  |            |  |                                       |  | type Product Customer Drawing           |  |
| sheet index   |  |  |  | revision sheet        |  | D                          |  | 1          |  |                                       |  | Rev. D                                  |  |

form: A4

1

2

CAT. NO. & DIMENSIONS

| NO. OF CONTACTS (n) | CAT. NO.          | DIMENSIONS (NOTE2) |         |         |         |
|---------------------|-------------------|--------------------|---------|---------|---------|
|                     |                   | A ± 0.2            | B ± 0.2 | C ± 0.2 | D ± 0.1 |
| 4                   | SFW4R-1/2STA__LF  | 9.8                | 8.6     | 3.0     | 5.3     |
| 5                   | SFW5R-1/2STA__LF  | 10.8               | 9.6     | 4.0     | 6.3     |
| 6                   | SFW6R-1/2STA__LF  | 11.8               | 10.6    | 5.0     | 7.3     |
| 7                   | SFW7R-1/2STA__LF  | 12.8               | 11.6    | 6.0     | 8.3     |
| 8                   | SFW8R-1/2STA__LF  | 13.8               | 12.6    | 7.0     | 9.3     |
| 9                   | SFW9R-1/2STA__LF  | 14.8               | 13.6    | 8.0     | 10.3    |
| 10                  | SFW10R-1/2STA__LF | 15.8               | 14.6    | 9.0     | 11.3    |
| 11                  | SFW11R-1/2STA__LF | 16.8               | 15.6    | 10.0    | 12.3    |
| 12                  | SFW12R-1/2STA__LF | 17.8               | 16.6    | 11.0    | 13.3    |
| 13                  | SFW13R-1/2STA__LF | 18.8               | 17.6    | 12.0    | 14.3    |
| 14                  | SFW14R-1/2STA__LF | 19.8               | 18.6    | 13.0    | 15.3    |
| 15                  | SFW15R-1/2STA__LF | 20.8               | 19.6    | 14.0    | 16.3    |
| 16                  | SFW16R-1/2STA__LF | 21.8               | 20.6    | 15.0    | 17.3    |
| 17                  | SFW17R-1/2STA__LF | 22.8               | 21.6    | 16.0    | 18.3    |
| 18                  | SFW18R-1/2STA__LF | 23.8               | 22.6    | 17.0    | 19.3    |
| 19                  | SFW19R-1/2STA__LF | 24.8               | 23.6    | 18.0    | 20.3    |
| 20                  | SFW20R-1/2STA__LF | 25.8               | 24.6    | 19.0    | 21.3    |
| 21                  | SFW21R-1/2STA__LF | 26.8               | 25.6    | 20.0    | 22.3    |
| 22                  | SFW22R-1/2STA__LF | 27.8               | 26.6    | 21.0    | 23.3    |
| 23                  | SFW23R-1/2STA__LF | 28.8               | 27.6    | 22.0    | 24.3    |
| 24                  | SFW24R-1/2STA__LF | 29.8               | 28.6    | 23.0    | 25.3    |
| 25                  | SFW25R-1/2STA__LF | 30.8               | 29.6    | 24.0    | 26.3    |
| 26                  | SFW26R-1/2STA__LF | 31.8               | 30.6    | 25.0    | 27.3    |
| 27                  | SFW27R-1/2STA__LF | 32.8               | 31.6    | 26.0    | 28.3    |
| 28                  | SFW28R-1/2STA__LF | 33.8               | 32.6    | 27.0    | 29.3    |
| 29                  | SFW29R-1/2STA__LF | 34.8               | 33.6    | 28.0    | 30.3    |
| 30                  | SFW30R-1/2STA__LF | 35.8               | 34.6    | 29.0    | 31.3    |

CAT. NO. SFW (n) R - 1 ST A \_\_ LF

SERIES NAME

NO. OF CONTACTS

RIGHT ANGLE TYPE

FOR FPC/FFC, CONTACT DIRECTION  
1. LOWER CONTACT TYPE  
2. UPPER CONTACT TYPE

FOR AUTOMATIC MOUNTING (SMT)


GOLD PLATING

PACKAGE STYLE

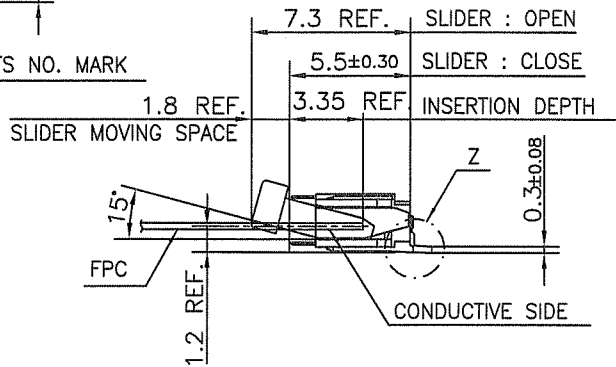
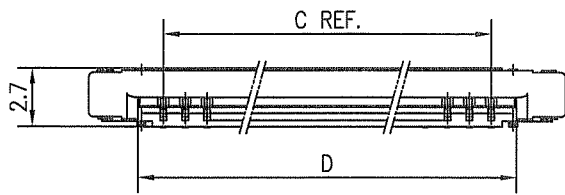
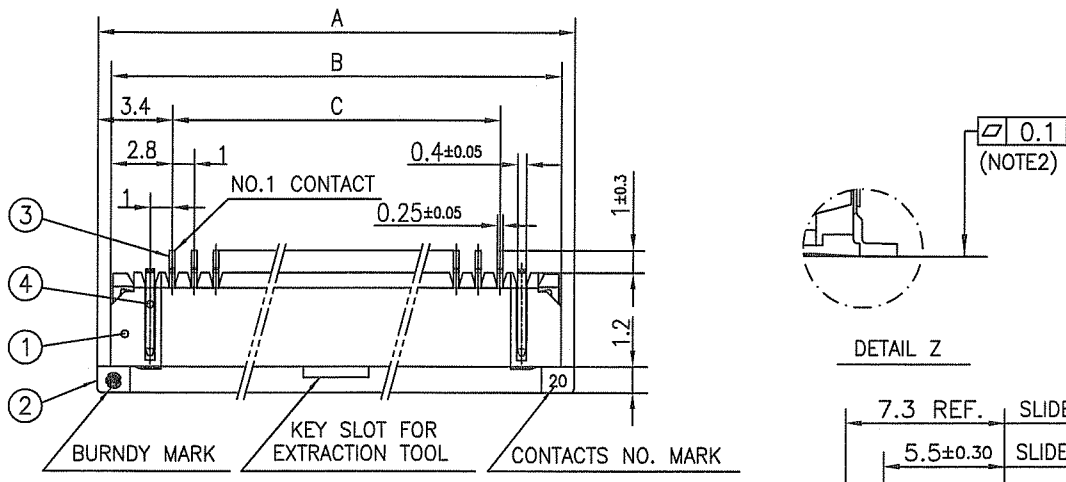
LEAD FREE

NOTES

- THIS PRODUCT IS THE CONNECTOR USED FOR FPC AND COPE WITH AUTOMATIC MOUNTING (SMT).
- SEE PART DRAWINGS FOR DIMENSIONS A~D.

|             |                |     |           |                                       |                              |   |  |         |         |
|-------------|----------------|-----|-----------|---------------------------------------|------------------------------|---|--|---------|---------|
| mat'l. code |                |     |           | surface 58 / ISO 1302                 | tolerance ISO 406 / ISO 1101 | projection  | product family 58RF  | CODE JP |         |
| ltr         | ecn no         | dr  | date      | tolerances unless otherwise specified |                              | mm  | title  |         |         |
| AA          | J04-0413       | H.T | 11/16/04  | angles                                | linear                       |   | CAT NO. TABLE FOR 1mm SPACING SMT CONNECTOR (Cat. No. SFW__R-1/2STA__LF) |         |         |
| AB          | J05-0055       | H.T | 2/4/05    |                                       |                              | scale X   | dwg no   |         |         |
| AC          | J06-0398       | H.T | 9/26/06   |                                       |                              |  | sheet 1 of 1 size  |         |         |
| AD          | J09-0358       | M.Y | 2009-10-5 | dr                                    | M.YAMASHITA 2009-10-5        |   | JSA 95886  |         | A4      |
|             |                |     |           | enr                                   | M.YAMASHITA 2009-10-5        |   | type Product Customer Drawing  |         |         |
|             |                |     |           | chr                                   | S. Nishiwaki 2009-10-6       |   |  |         |         |
|             |                |     |           | appd                                  | S. Oudayan 2009-10-6         |   |  |         |         |
| sheet index | revision sheet | AD  | 1         |                                       |                              |   |  |         | Rev. AD |

SC-SFW14 JSA95887 96111 95888 95889 96112 95890 form: A4



| PT. NO. | PARTS NAME     | MATERIAL                             | Q'TY | NOTE                                       |
|---------|----------------|--------------------------------------|------|--|
| 1       | HOUSING        | PPS RESIN GLASS REINFORCED (UL94V-0) | 1    | COLOR : BROWN                              |
| 2       | SLIDER         | PPS RESIN GLASS REINFORCED (UL94V-0) | 1    | COLOR : BLACK                              |
| 3       | CONTACT        | PHOSPHOR BRONZE                      | n    | CONTACT AREA : GOLD<br>TARMINAL AREA : TIN |
| 4       | MOUNTING PLATE |                                      | 2    | PLATING : TIN                              |

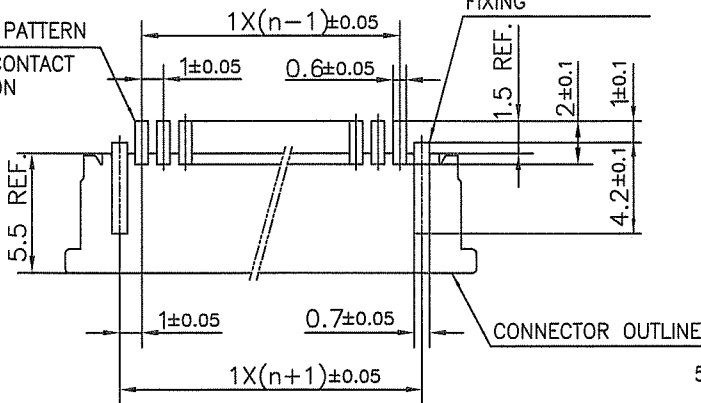
n : NO. OF CONTACTS

NOTES

1. THIS PRODUCT IS THE CONNECTOR USED FOR FPC AND COPE WITH AUTOMATIC MOUNTING (SMT).
2. FLATNESS FOR CONTACT TERMINAL HOUSING MUST BE WITHIN TOLERANCE IN Z PORTION DETAILED DRAWING.
3. THIS PRODUCT IS LOWER CONTACT TYPE CONNECTOR.
4. THIS PRODUCT MEETS EUROPEAN UNION DIRECTIVES AND OTHER?COUNTRY REGULATIONS AS DESCRIBED IN GS-22-008

RECOMMENDED PC BOARD LAYOUT (COMPONENT SIDE)

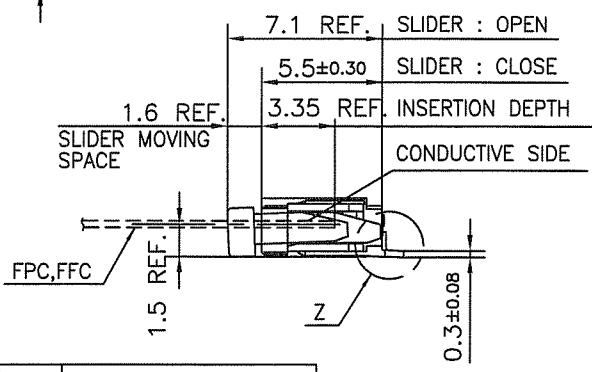
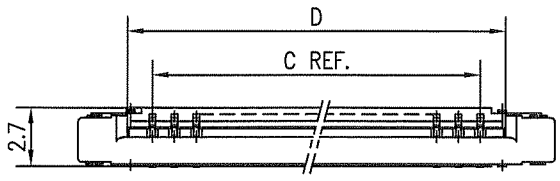
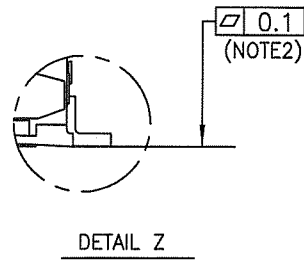
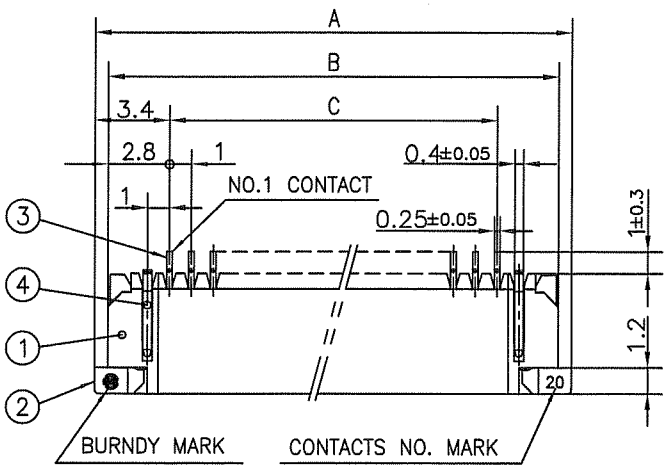
BASIC PATTERN  
NO.1 CONTACT POSITION



5. THE HOUSING WILL WITHSTAND EXPOSURE TO 260°C PEAK TEMPERATURE FOR 10 SECONDS IN A REFLOW SOLDERING OVEN.

|             |          |  |           |                                       |                        |                     |  |                               |         |
|-------------|----------|--|-----------|---------------------------------------|------------------------|---------------------|--|-------------------------------|---------|
| mat'l. code |          | surface 58 / tolerance ISO 1302 / ISO 406 / ISO 1101 |           | projection                            |                        | product family 58RF |  | CODE JP                       |         |
| ltr         | ecn no   | dr   | date      | tolerances unless otherwise specified |                        | mm                  |  | title                         |         |
| AA          | J04-0329 | H.T  | 9/27/04   | ±0.2                                  |                        | mm                  |  | 1mm SPACING SMT CONNECTOR     |         |
| AB          | J05-0055 | H.T  | 2/4/05    | linear                                |                        | mm                  |  | (Cat. No. SFW__R-1STA__LF)    |         |
| AC          | J05-0736 | H.T  | 10/28/05  |                                       |                        | scale X             |  | dwg no sheet 1 of 1 size      |         |
| AD          | J06-0398 | H.T  | 9/26/06   | dr                                    | N. YAMASAKI 2007-10-5  | FCI                 |  | JSA 95887 A4                  |         |
| AE          | J09-0358 | M.Y  | 2009-10-5 | enr                                   | N. YAMASAKI 2009-10-5  |                     |  | type Product Customer Drawing |         |
|             |          |  |           | chr                                   | S. W. ... 2009-10-6    |                     |  |                               |         |
|             |          |  |           | appd                                  | S. Chaudhary 2009-10-6 |                     |  |                               |         |
| sheet index | revision | AE   |           |                                       |                        |                     |  |                               | Rev. AE |

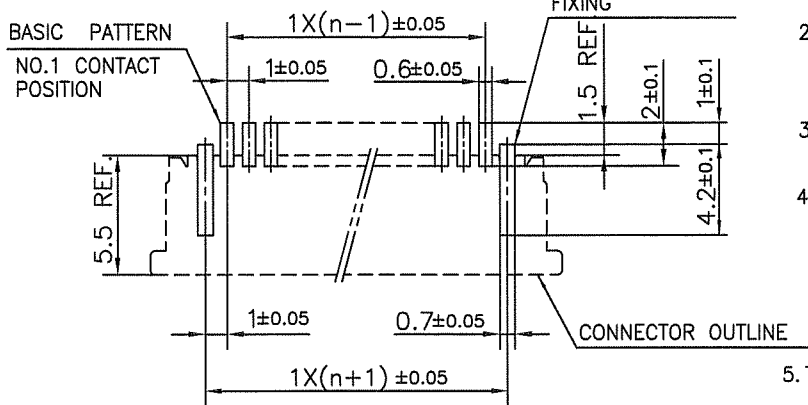
SC\_SFW14 form: A4 JSA95886



| PT. NO. | PARTS NAME     | MATERIAL                             | Q'TY | NOTE                                       |
|---------|----------------|--------------------------------------|------|--|
| 1       | HOUSING        | PPS RESIN GLASS REINFORCED (UL94V-0) | 1    | COLOR : BROWN                              |
| 2       | SLIDER         | PPS RESIN GLASS REINFORCED (UL94V-0) | 1    | COLOR : BLACK                              |
| 3       | CONTACT        | PHOSPHOR BRONZE                      | n    | CONTACT AREA : GOLD<br>TARMINAL AREA : TIN |
| 4       | MOUNTING PLATE | PHOSPHOR BRONZE                      | 2    | PLATING : TIN                              |

n : NO. OF CONTACTS

RECOMMENDED PC BOARD LAYOUT  
(COMPONENT SIDE)



NOTES

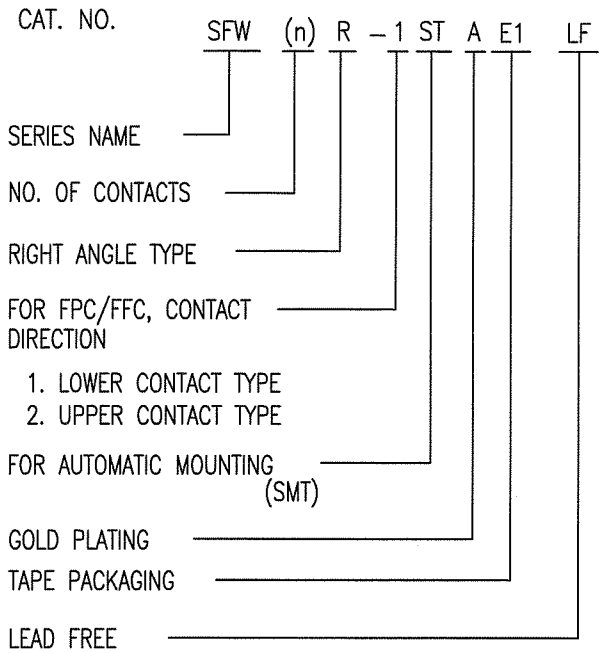
1. THIS PRODUCT IS THE CONNECTOR USED FOR FPC AND COPES WITH AUTOMATIC MOUNTING (SMT).
2. FLATNESS FOR CONTACT TERMINAL HOUSING MUST BE WITHIN TOLERANCE IN Z PORTION DETAILED DRAWING.
3. THIS PRODUCT IS UPPER CONTACT TYPE CONNECTOR.
4. THIS PRODUCT MEETS EUROPEAN UNION DIRECTIVES AND OTHER?COUNTRY REGULATIONS AS DESCRIBED IN GS-22-008
5. THE HOUSING WILL WITHSTAND EXPOSURE TO 260°C PEAK TEMPERATURE FOR 10 SECONDS IN A REFLOW SOLDERING OVEN.

|                          |  |                |                                       |     |            |  |                               |  |   |  |  |
|--------------------------|--|----------------|---------------------------------------|-----|------------|--|-------------------------------|--|---|--|--|
| mat'l. code              |  |                | surface 58 / tolerance ISO 1302       |     | projection |  | product family 58RF           |  | CODE JP   |  |  |
| ltr ecn no dr date       |  |                | tolerances unless otherwise specified |     | mm         |  | title                         |  | 1mm SPACING SMT CONNECTOR<br>(Cat. No. SFW__R-2STA__LF) |  |  |
| A J04-0413 H.T 11/16/04  |  |                | angles linear ±0.2                    |     | scale      |  | dwg no                        |  | sheet 1 of 1 size                                       |  |  |
| B J05-0055 H.T 2/4/05    |  |                |                                       |     | FCI        |  | JSA 96111                     |  | A4  |  |  |
| C J05-0736 H.T 10/28/05  |  |                |                                       |     |            |  | type Product Customer Drawing |  |   |  |  |
| D J06-0398 H.T 9/26/06   |  |                | dr H.YAMASHITA 2009-10-5              |     |            |  |                               |  | Rev. E  |  |  |
| E J09-0358 M.Y 2009-10-5 |  |                | enr H.YAMASHITA 2009-10-5             |     |            |  |                               |  |   |  |  |
|                          |  |                | chr S.W.K. 2009-10-6                  |     |            |  |                               |  |   |  |  |
|                          |  |                | appd J. Dadani 2009-10-6              |     |            |  |                               |  |   |  |  |
| sheet index              |  | revision sheet |                                       | E 1 |            |  |                               |  |   |  |  |

SC\_SF14 JSA95886 form: A4

CAT. NO. & DIMENSIONS

| NO. OF CONTACTS (n) | CAT. NO. (NOTE2)   | DIMENSIONS (NOTE3) |         |         |
|---------------------|--------------------|--------------------|---------|---------|
|                     |                    | E ± 5              | F ± 0.3 | G ± 0.1 |
| 4                   | SFW4R-1/2STAE1 LF  | 20.4               | 16      | —       |
| 5                   | SFW5R-1/2STAE1 LF  | 28.4               | 24      | —       |
| 6                   | SFW6R-1/2STAE1 LF  | 28.4               | 24      | —       |
| 7                   | SFW7R-1/2STAE1 LF  | 28.4               | 24      | —       |
| 8                   | SFW8R-1/2STAE1 LF  | 28.4               | 24      | —       |
| 9                   | SFW9R-1/2STAE1 LF  | 28.4               | 24      | —       |
| 10                  | SFW10R-1/2STAE1 LF | 28.4               | 24      | —       |
| 11                  | SFW11R-1/2STAE1 LF | 28.4               | 24      | —       |
| 12                  | SFW12R-1/2STAE1 LF | 28.4               | 24      | —       |
| 13                  | SFW13R-1/2STAE1 LF | 36.4               | 32      | 28.4    |
| 14                  | SFW14R-1/2STAE1 LF | 36.4               | 32      | 28.4    |
| 15                  | SFW15R-1/2STAE1 LF | 36.4               | 32      | 28.4    |
| 16                  | SFW16R-1/2STAE1 LF | 36.4               | 32      | 28.4    |
| 17                  | SFW17R-1/2STAE1 LF | 48.4               | 44      | 40.4    |
| 18                  | SFW18R-1/2STAE1 LF | 48.4               | 44      | 40.4    |
| 19                  | SFW19R-1/2STAE1 LF | 48.4               | 44      | 40.4    |
| 20                  | SFW20R-1/2STAE1 LF | 48.4               | 44      | 40.4    |
| 21                  | SFW21R-1/2STAE1 LF | 48.4               | 44      | 40.4    |
| 22                  | SFW22R-1/2STAE1 LF | 48.4               | 44      | 40.4    |
| 23                  | SFW23R-1/2STAE1 LF | 48.4               | 44      | 40.4    |
| 24                  | SFW24R-1/2STAE1 LF | 48.4               | 44      | 40.4    |
| 25                  | SFW25R-1/2STAE1 LF | 48.4               | 44      | 40.4    |
| 26                  | SFW26R-1/2STAE1 LF | 48.4               | 44      | 40.4    |
| 27                  | SFW27R-1/2STAE1 LF | 48.4               | 44      | 40.4    |
| 28                  | SFW28R-1/2STAE1 LF | 60.4               | 56      | 52.4    |
| 29                  | SFW29R-1/2STAE1 LF | 60.4               | 56      | 52.4    |
| 30                  | SFW30R-1/2STAE1 LF | 60.4               | 56      | 52.4    |

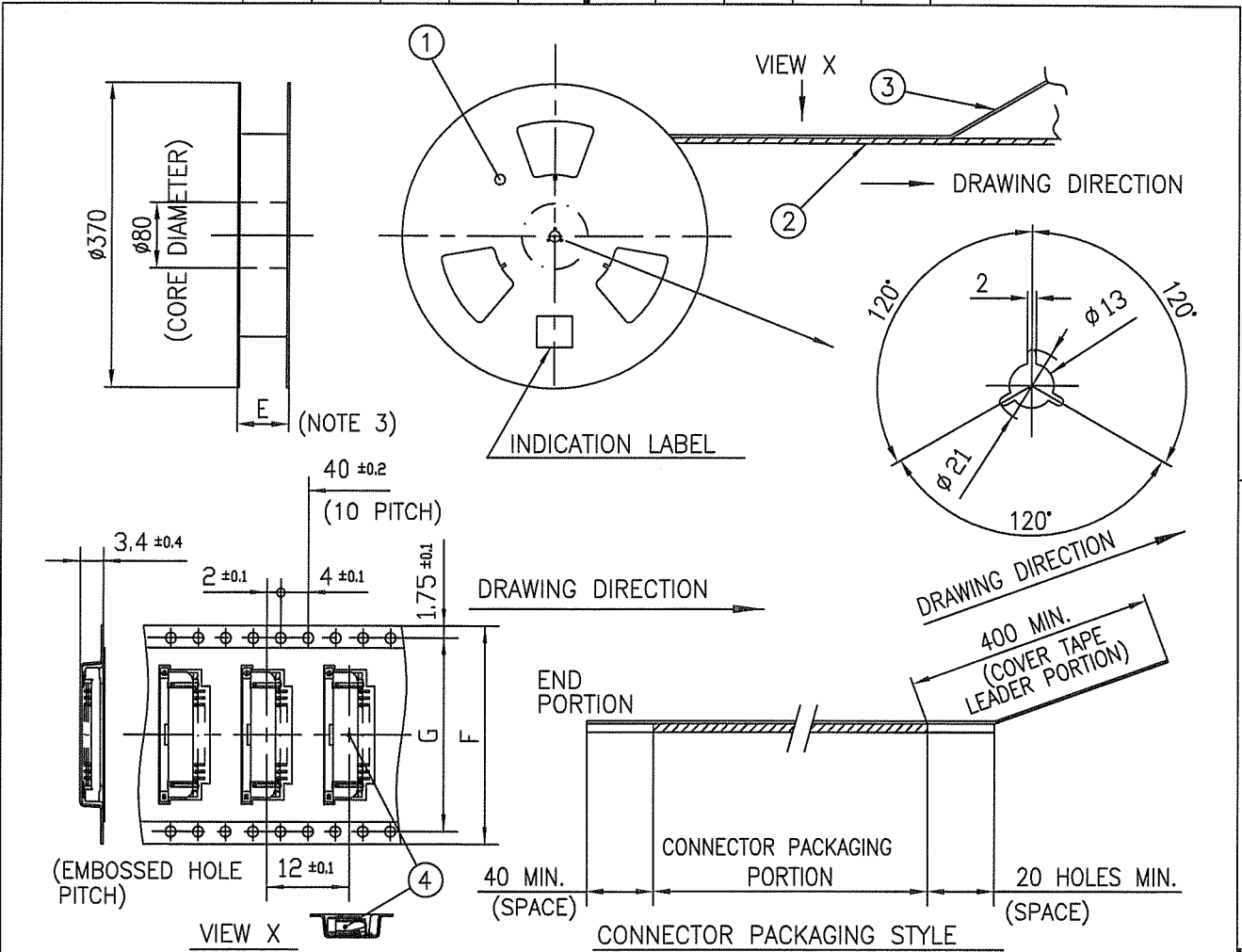


NOTES

1. THIS PRODUCT IS THE CONNECTOR USED FOR FPC AND COPEs WITH AUTOMATIC MOUNTING (SMT).
2. THIS CATALOG NO. INDICATES PLASTIC TAPE PACKAGED CONNECTOR.
3. SEE PART DRAWINGS FOR DIMENSIONS E~G.

|             |                |  |           |                                       |   |         |
|-------------|----------------|--|-----------|---------------------------------------|---|---------|
| mat'l. code |                | surface 58 / tolerance ISO 1302 / ISO 406 / ISO 1101 |           | projection                            | product family 58RF   | CODE JP |
| ltr         | ecn no         | dr   | date      | tolerances unless otherwise specified | title   |         |
| AA          | J04-0413       | H.T  | 11/16/04  | angles linear                         | CAT NO. TABLE FOR PLASTIC TAPE PACKAGED 1mm SPACING SMT CONNECTOR (Cat. No. SFW__R-1/2STAE1 LF) |         |
| AB          | J05-0055       | H.T  | 2/4/05    |                                       | dwg no sheet 1 of 1 size  |         |
| AC          | J06-0398       | H.T  | 9/26/06   |                                       | JSA 95888 A4  |         |
| AD          | J09-0358       | M.Y  | 2009-10-5 | dr M.YAMAMOTO 2009-10-5               | type Product Customer Drawing   |         |
|             |                |  |           | enr M.YAMAMOTO 2009-10-5              | Rev. AD   |         |
|             |                |  |           | chr S. W. H. 2009-10-6                |   |         |
|             |                |  |           | appd J. Chidambaram 2009-10-6         |   |         |
| sheet index | revision sheet | AD   | 1         |                                       |   |         |

SC\_SFW14 form: A4 JSA95886 95889 96112



| PT. NO. | PARTS NAME            | CAT. NO.      | MATERIAL          | Q'TY  | NOTE               |
|---------|-----------------------|---------------|-------------------|-------|--------------------|
| 1       | REEL                  | _____         | CARDBOARD         | 1     | COLOR:WHITE        |
| 2       | PLASTIC (EMBOSS) TAPE | _____         | PET               | _____ | COLOR:TRANSPARENCY |
| 3       | COVER                 | _____         | POLYESTER         | _____ | COLOR:TRANSPARENCY |
| 4       | CONNECTOR             | SFW_R-1STA_LF | SEE ATTACHED DWG. | 2000  | LOWER CONTACT TYPE |

NOTES

- THIS IS PLASTIC TAPE PACKAGED CONNECTOR USED FOR FPC AND COPEs WITH AUTOMATIC MOUNTING (SMT).
- SEE JIS C 0806 (PACKING OF ELECTRONIC COMPONENTS ON CONTINUOUS TAPES (SURFACE MOUNTING DEVICES)) FOR SHAPE AND DIMENSIONS OF PLASTIC (EMBOSS) TAPE AND REEL.
- E DIMENSION IS PORTION OF THE CORE.

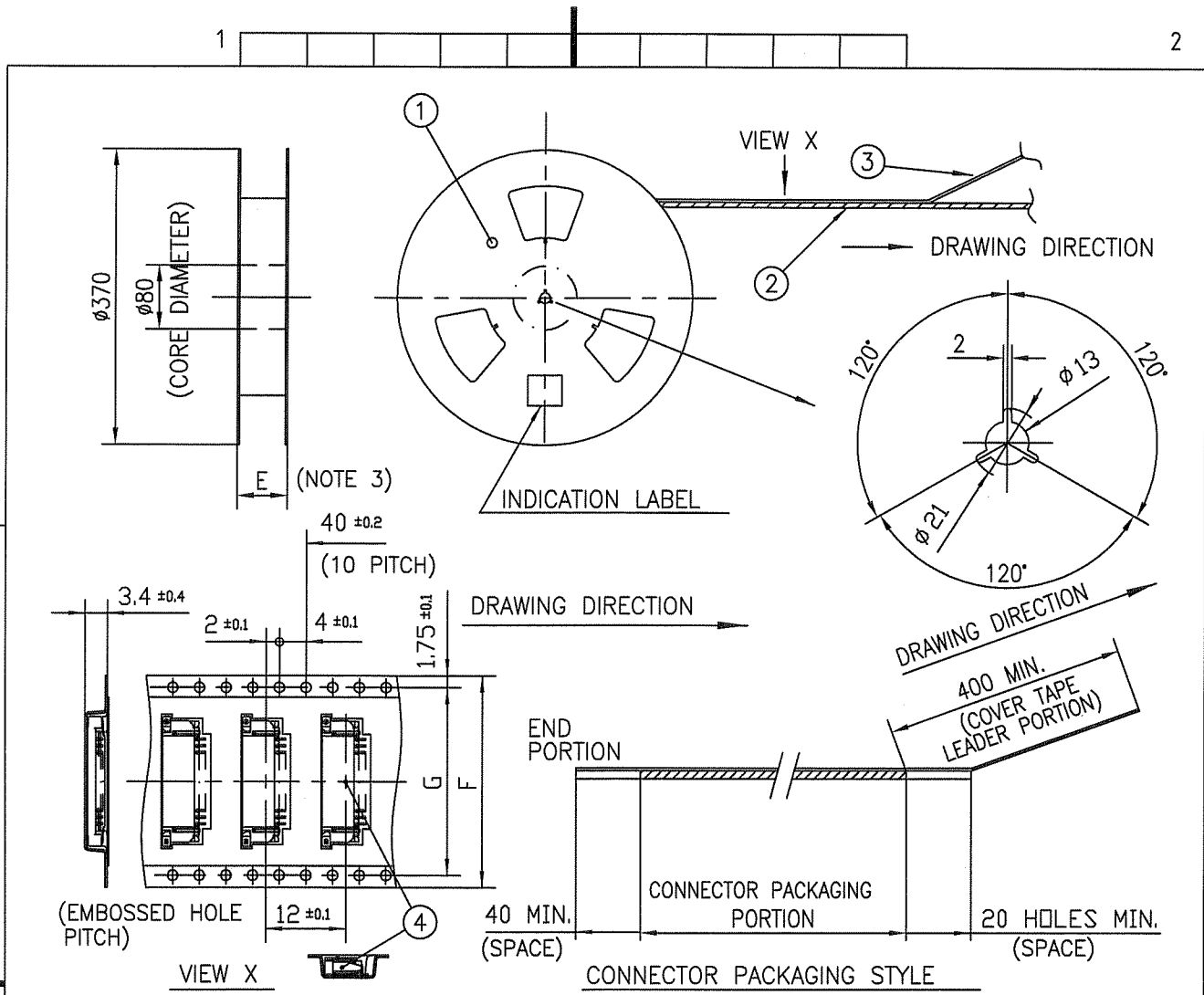
|                           |  |  |  |                            |  |                        |  |  |  |                               |  |
|---------------------------|--|--|--|----------------------------|--|------------------------|--|--|--|-------------------------------|--|
| mat'l. code               |  | surface ISO 1302 <input checked="" type="checkbox"/> |  | tolerance ISO 406 ISO 1101 |  | projection             |  | product family 58RF  |  | CODE JP                       |  |
| ltr ecn no dr date        |  | tolerances unless otherwise specified                |  | ±5                         |  | mm                     |  | title<br>PLASTIC TAPE PACKAGED<br>1mm SPACING SMT CONNECTOR<br>(Cat. No. SFW__R-1STAE1 LF) |  |                               |  |
| AA J05-0055 H.T 2/4/'05   |  | angles linear  |  |                            |  | scale X                |  | dwg no   |  | sheet 1 of 1 size             |  |
| AB J06-0398 H.T 9/26/'06  |  | ±5'  |  |                            |  | FCJ                    |  | JSA 95889  |  | A4                            |  |
| AC J09-0358 M.Y 2009-10-5 |  | dr M.YAMASHITA 2009-10-5                             |  | enr M.YAMASHITA 2009-10-5  |  | chr S. W. K. 2009-10-6 |  | appd J. Chidambaram 2009-10-6  |  | type Product Customer Drawing |  |
| sheet index               |  | revision AC  |  | sheet 1                    |  |                        |  |  |  | Rev. AC                       |  |

SC\_SFW14 JSA95888 form: A4



FCIconnect.com

Copyright FCI.



| PT. NO. | PARTS NAME            | CAT. NO.      | MATERIAL          | Q'TY | NOTE               |
|---------|-----------------------|---------------|-------------------|------|--------------------|
| 1       | REEL                  | _____         | CARDBOARD         | 1    | COLOR:WHITE        |
| 2       | PLASTIC (EMBOSS) TAPE | _____         | PET               | —    | COLOR:TRANSPARENCY |
| 3       | COVER                 | _____         | POLYESTER         | —    | COLOR:TRANSPARENCY |
| 4       | CONNECTOR             | SFW_R-2STA_LF | SEE ATTACHED DWG. | 2000 | UPPER CONTACT TYPE |

NOTES

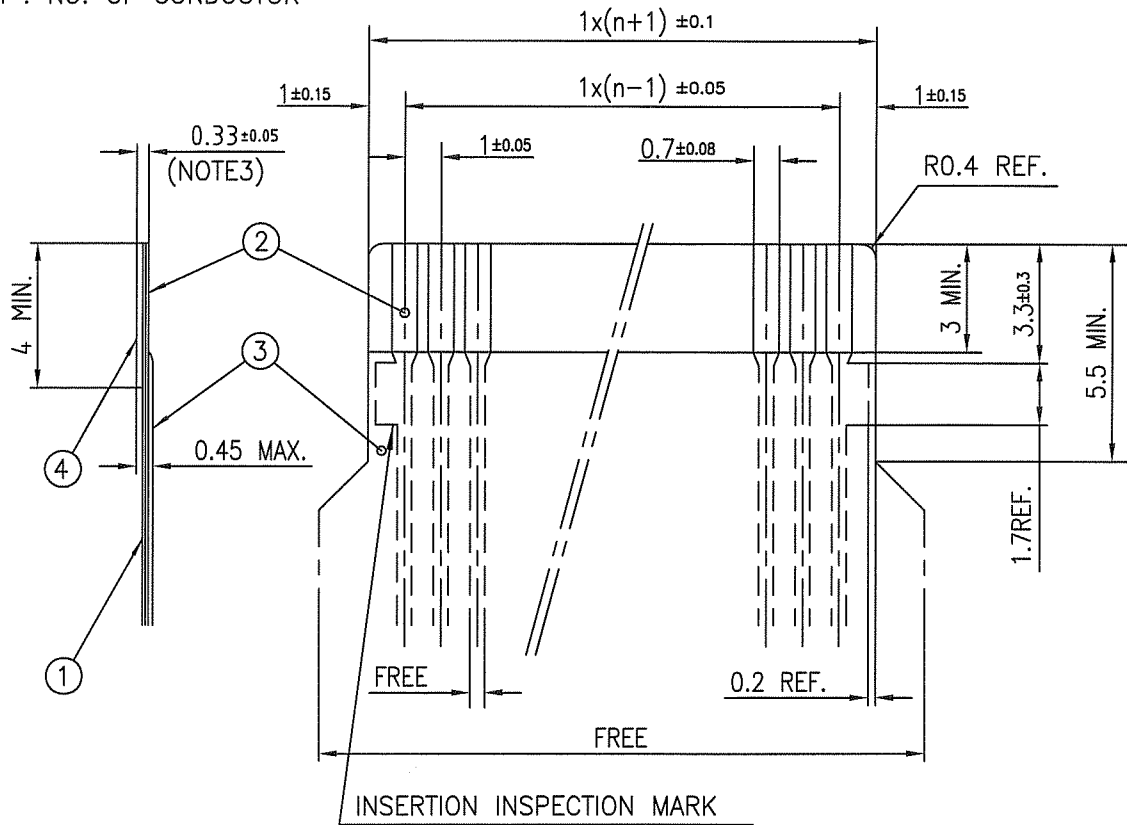
1. THIS IS PLASTIC TAPE PACKAGED CONNECTOR USED FOR FPC AND COPES WITH AUTOMATIC MOUNTING (SMT).
2. SEE JIS C 0806 (PACKING OF ELECTRONIC COMPONENTS ON CONTINUOUS TAPES (SURFACE MOUNTING DEVICES)) FOR SHAPE AND DIMENSIONS OF PLASTIC (EMBOSS) TAPE AND REEL.
3. E DIMENSION IS PORTION OF THE CORE.

|             |  |                  |  |                            |  |            |  |                               |  |   |  |
|-------------|--|------------------|--|----------------------------|--|------------|--|-------------------------------|--|---|--|
| mat'l. code |  | surface ISO 1302 |  | tolerance ISO 406 ISO 1101 |  | projection |  | product family 58RF           |  | CODE JP   |  |
| ltr         |  | ecn no           |  | dr                         |  | date       |  | title                         |  | PLASTIC TAPE PACKAGED<br>1mm SPACING SMT CONNECTOR<br>(Cat. No. SFW__R-2STAE1 LF) |  |
| A           |  | J04-0413         |  | H.T                        |  | 11/16/04   |  | mm                            |  | sheet 1 of 1 size   |  |
| B           |  | J05-0055         |  | H.T                        |  | 2/4/05     |  | scale X                       |  | sheet 1 of 1 size   |  |
| C           |  | J06-0398         |  | H.T                        |  | 9/26/06    |  | FCI                           |  | sheet 1 of 1 size   |  |
| D           |  | J09-0358         |  | M.Y                        |  | 2009-10-5  |  | type Product Customer Drawing |  | sheet 1 of 1 size   |  |
| sheet index |  | revision sheet   |  | D                          |  | 1          |  | JSA 96112                     |  | A4  |  |

SC\_SFW14 JSA95888 form: A4

RECOMMENDED CABLE (FPC)

n : NO. OF CONDUCTOR



| PT. NO. | PARTS NAME      | MATERIAL   | THICKNESS (um) |
|---------|-----------------|--|----------------|
| 1       | BASE FILM       | POLYIMIDE OR POLYESTER OR EQUAL                            | 25             |
| 2       | CONDUCTOR       | COPPER FOIL<br>(PLATING : Ni UNDER PLATING GOLD0.5um MIN.) | 35             |
| 3       | OVERLAY         | POLYIMIDE OR POLYESTER OR EQUAL                            | —              |
| 4       | SUPPORTING TAPE | POLYESTER OR POLYIMIDE OR EQUAL                            | 188            |

- NOTES
1. NO BURR AT EACH PORTION.
  2. NO PEELING IN COMMON USE.
  3. TOTAL THICKNESS LIMIT OF EACH MATERIAL (INCLUDING ADHESIVE AGENT) IS SPECIFIED.

|             |                |                        |               |                                       |  |                |  |   |  |                   |  |
|-------------|----------------|------------------------|---------------|---------------------------------------|--|----------------|--|---|--|-------------------|--|
| mat'l. code |                | surface 58<br>ISO 1302 |               | tolerance<br>ISO 406<br>ISO 1101      |  | projection<br> |  | product family<br>58RF                                  |  | CODE<br>JP        |  |
| ltr         | ecn no         | dr                     | date          | tolerances unless otherwise specified |  |                |  | title<br>RECOMMENDED CABLE<br>(Cat. No. SFW__R-1/2STA_) |  |                   |  |
| AA          | J04-0413       | H.T                    | 11/16/04      | angles                                |  | linear         |  | mm  |  |                   |  |
| AB          | J06-0398       | H.T                    | 9/26/06       |                                       |  |                |  | scale   |  |                   |  |
| AC          | J09-0358       | M.Y                    | 2009-10-5     |                                       |  |                |  |   |  |                   |  |
|             |                | dr                     | M.SAYANISHITA | 2009-10-5                             |  |                |  | dwg no  |  | sheet 1 of 1 size |  |
|             |                | enr                    | M.SAYANISHITA | 2009-10-5                             |  |                |  | JSA 95890   |  | A4                |  |
|             |                | chr                    | S. W. ...     | 2009-10-6                             |  |                |  |   |  |                   |  |
|             |                | appd                   | S. Chudani    | 2009-10-6                             |  |                |  |   |  |                   |  |
| sheet index | revision sheet | AC                     | 1             |                                       |  |                |  |   |  | Rev. AC           |  |



Компания «Океан Электроники» предлагает заключение долгосрочных отношений при поставках импортных электронных компонентов на взаимовыгодных условиях!

Наши преимущества:

- Поставка оригинальных импортных электронных компонентов напрямую с производств Америки, Европы и Азии, а так же с крупнейших складов мира;
- Широкая линейка поставок активных и пассивных импортных электронных компонентов (более 30 млн. наименований);
- Поставка сложных, дефицитных, либо снятых с производства позиций;
- Оперативные сроки поставки под заказ (от 5 рабочих дней);
- Экспресс доставка в любую точку России;
- Помощь Конструкторского Отдела и консультации квалифицированных инженеров;
- Техническая поддержка проекта, помощь в подборе аналогов, поставка прототипов;
- Поставка электронных компонентов под контролем ВП;
- Система менеджмента качества сертифицирована по Международному стандарту ISO 9001;
- При необходимости вся продукция военного и аэрокосмического назначения проходит испытания и сертификацию в лаборатории (по согласованию с заказчиком);
- Поставка специализированных компонентов военного и аэрокосмического уровня качества (Xilinx, Altera, Analog Devices, Intersil, Interpoint, Microsemi, Actel, Aeroflex, Peregrine, VPT, Syfer, Eurofarad, Texas Instruments, MS Kennedy, Miteq, Cobham, E2V, MA-COM, Hittite, Mini-Circuits, General Dynamics и др.);

Компания «Океан Электроники» является официальным дистрибьютором и эксклюзивным представителем в России одного из крупнейших производителей разъемов военного и аэрокосмического назначения «JONHON», а так же официальным дистрибьютором и эксклюзивным представителем в России производителя высокотехнологичных и надежных решений для передачи СВЧ сигналов «FORSTAR».



## JONHON

«JONHON» (основан в 1970 г.)

Разъемы специального, военного и аэрокосмического назначения:

(Применяются в военной, авиационной, аэрокосмической, морской, железнодорожной, горно- и нефтедобывающей отраслях промышленности)

«FORSTAR» (основан в 1998 г.)

ВЧ соединители, коаксиальные кабели, кабельные сборки и микроволновые компоненты:

(Применяются в телекоммуникациях гражданского и специального назначения, в средствах связи, РЛС, а так же военной, авиационной и аэрокосмической отраслях промышленности).



Телефон: 8 (812) 309-75-97 (многоканальный)

Факс: 8 (812) 320-03-32

Электронная почта: [ocean@oceanchips.ru](mailto:ocean@oceanchips.ru)

Web: <http://oceanchips.ru/>

Адрес: 198099, г. Санкт-Петербург, ул. Калинина, д. 2, корп. 4, лит. А