

THIS DRAWING IS UNPUBLISHED. RELEASED FOR PUBLICATION
 © COPYRIGHT - By - ALL RIGHTS RESERVED.

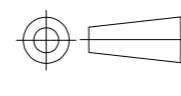
| LOC | DIST | REVISIONS | | | | | |
|-----|------|-----------|-----|---------------------------|---------|-----|------|
| | | P | LTR | DESCRIPTION | DATE | DWN | APVD |
| - | - | H2 | | REVISED PER ECO-11-004587 | 11MAR11 | RK | HMR |

| | | | | | | | | | | | | | | | | | | |
|----------------------|---|---|---|----|---|---|---|---|---|----|----|---|---|---|-------|-------|----|-------------|
| - | - | - | - | - | - | - | - | - | - | - | - | - | - | - | 180.7 | 188.2 | 18 | 1-1546306-8 |
| - | - | - | - | - | - | - | - | - | - | - | - | - | - | - | 171.2 | 178.7 | 17 | 1-1546306-7 |
| - | - | - | - | - | - | - | - | - | - | - | - | - | - | - | 161.7 | 169.2 | 16 | 1-1546306-6 |
| △△△△ | - | - | - | - | - | - | - | - | - | - | - | - | - | - | 152.2 | 159.7 | 15 | 6-1546306-2 |
| - | - | - | - | - | - | - | - | - | - | - | - | - | - | - | 152.2 | 159.7 | 15 | 1-1546306-5 |
| - | - | - | - | - | - | - | - | - | - | - | - | - | - | - | 142.7 | 150.2 | 14 | 1-1546306-4 |
| - | - | - | - | - | - | - | - | - | - | - | - | - | - | - | 133.2 | 140.7 | 13 | 1-1546306-3 |
| △△ | - | - | - | - | - | - | - | - | - | - | - | - | - | - | 123.7 | 131.2 | 12 | 4-1546306-0 |
| △△ | - | - | - | - | - | - | - | - | - | - | - | - | - | - | 123.7 | 131.2 | 12 | 3-1546306-3 |
| - | - | - | - | - | - | - | - | - | - | - | - | - | - | - | 123.7 | 131.2 | 12 | 1-1546306-2 |
| △ | - | - | - | 11 | - | - | - | - | - | - | - | - | - | - | 114.2 | 121.7 | 11 | 5-1546306-2 |
| △△ | - | - | - | - | 2 | - | - | - | - | - | 11 | - | - | - | 114.2 | 121.7 | 11 | 3-1546306-4 |
| △ | - | - | - | - | - | - | - | - | - | - | 11 | - | - | - | 114.2 | 121.7 | 11 | 3-1546306-1 |
| - | - | - | - | - | - | - | - | - | - | - | - | - | - | - | 114.2 | 121.7 | 11 | 1-1546306-1 |
| △ | - | - | - | - | - | - | - | - | - | 10 | 3 | - | - | - | 104.7 | 112.2 | 10 | 6-1546306-0 |
| △△ | - | - | - | - | - | - | - | - | - | - | - | - | - | - | 104.7 | 112.2 | 10 | 5-1546306-8 |
| - | - | - | - | - | - | - | - | - | - | - | - | - | - | - | 104.7 | 112.2 | 10 | 1-1546306-0 |
| △△△ | - | 4 | 9 | - | - | - | - | - | - | - | - | - | - | - | 95.2 | 102.7 | 9 | 6-1546306-3 |
| △△ | - | - | - | - | - | - | - | - | - | - | - | - | - | - | 95.2 | 102.7 | 9 | 5-1546306-6 |
| - | - | - | - | - | - | - | - | - | - | - | - | - | - | - | 95.2 | 102.7 | 9 | 1546306-9 |
| - | - | - | - | - | - | - | - | - | - | 8 | - | - | - | - | 85.7 | 93.2 | 8 | 5-1546306-9 |
| △△ | - | - | - | - | - | - | - | - | - | - | - | - | - | - | 85.7 | 93.2 | 8 | 3-1546306-9 |
| - | - | - | - | - | - | - | - | - | - | - | - | - | - | - | 85.7 | 93.2 | 8 | 1546306-8 |
| △△ | - | - | - | - | - | - | - | - | - | - | - | - | - | - | 76.2 | 83.7 | 7 | 5-1546306-5 |
| △ | - | - | - | - | 1 | - | - | - | 7 | - | - | - | - | - | 76.2 | 83.7 | 7 | 5-1546306-0 |
| - | - | - | - | - | - | - | - | - | - | - | - | 7 | 7 | 7 | 76.2 | 83.7 | 7 | 4-1546306-5 |
| △ | - | - | - | - | - | - | - | - | - | - | - | 7 | - | - | 76.2 | 83.7 | 7 | 3-1546306-7 |
| - | - | - | - | - | - | - | - | - | - | - | - | - | - | - | 76.2 | 83.7 | 7 | 1546306-7 |
| △△ | - | - | - | - | - | - | - | - | - | - | - | - | - | - | 66.7 | 74.2 | 6 | 5-1546306-4 |
| △△ | - | - | - | - | - | - | - | - | - | - | - | - | - | - | 66.7 | 74.2 | 6 | 4-1546306-9 |
| - | - | - | - | - | - | 6 | - | - | - | - | - | - | - | - | 66.7 | 74.2 | 6 | 4-1546306-8 |
| - | - | - | - | - | - | - | - | - | - | - | - | 6 | 6 | 6 | 66.7 | 74.2 | 6 | 4-1546306-4 |
| △ | - | - | - | - | - | - | - | - | - | - | - | 6 | - | - | 66.7 | 74.2 | 6 | 3-1546306-6 |
| - | - | - | - | - | - | - | - | - | - | - | - | - | - | - | 66.7 | 74.2 | 6 | 1546306-6 |
| △ | - | - | - | - | - | - | - | - | - | 5 | - | - | - | - | 57.2 | 64.7 | 5 | 5-1546306-7 |
| △ | - | 5 | 5 | - | - | - | - | - | - | - | - | - | - | - | 57.2 | 64.7 | 5 | 5-1546306-3 |
| △△ SCREW ON ONE SIDE | - | - | - | - | - | - | - | - | - | - | - | - | - | - | 57.2 | 64.7 | 5 | 4-1546306-7 |
| - | - | - | - | - | - | - | - | - | - | - | - | 5 | 5 | 5 | 57.2 | 64.7 | 5 | 4-1546306-3 |
| △ | - | - | - | - | - | - | - | - | - | - | - | 5 | - | - | 57.2 | 64.7 | 5 | 3-1546306-5 |
| - | - | - | - | - | - | - | - | - | - | - | - | - | - | - | 57.2 | 64.7 | 5 | 1546306-5 |
| - | - | - | - | - | - | - | - | - | - | - | - | - | - | - | 47.7 | 55.2 | 4 | 4-1546306-2 |
| △△ | - | - | - | - | - | - | - | - | - | - | - | - | - | - | 47.7 | 55.2 | 4 | 3-1546306-8 |
| - | - | - | - | - | - | - | - | - | - | - | - | - | - | - | 47.7 | 55.2 | 4 | 1546306-4 |
| - | 3 | 3 | - | - | - | - | - | - | - | - | - | - | - | - | 38.2 | 45.7 | 3 | 6-1546306-1 |
| - | - | - | - | - | - | - | - | - | - | - | - | - | - | - | 38.2 | 45.7 | 3 | 5-1546306-1 |
| - | - | - | - | - | - | - | - | - | - | - | - | - | - | - | 38.2 | 45.7 | 3 | 1546306-3 |
| △ | - | - | - | - | - | - | - | - | 2 | 2 | 2 | - | - | - | 28.7 | 36.2 | 2 | 4-1546306-6 |
| - | - | - | - | - | - | 2 | 2 | 2 | - | - | - | - | - | - | 28.7 | 36.2 | 2 | 4-1546306-1 |
| - | - | - | - | - | - | - | - | - | - | - | - | - | - | - | 28.7 | 36.2 | 2 | 1546306-2 |

| NOTES | 13 | 12 | 11 | 10 | 9 | 8 | 7 | 6 | 5 | 4 | 3 | 2 | 1 | DIM B | DIM A | NO. OF POS. | PART NO. |
|-------|---------------------|---------------------|--------------------|--------|--------------------------|--------------------------|---------------------------|--------------------------|--------------------------|---------------------------|----------------------|--------------------------|---------------------------|-------|-------|-------------|----------|
| | QC TAB .187 SS FLAT | QC TAB .187 SS FLAT | QC TAB .187 SS 90° | JUMPER | QC TAB DBL SIDE 90° .250 | QC TAB DBL SIDE 45° .250 | QC TAB DBL SIDE FLAT .250 | QC TAB DBL SIDE 90° .187 | QC TAB DBL SIDE 45° .187 | QC TAB DBL SIDE FLAT .187 | QC TAB SGL SIDE .250 | QC TAB SGL SIDE 45° .250 | QC TAB SGL SIDE FLAT .250 | | | | |

THIS DRAWING IS A CONTROLLED DOCUMENT.

DIMENSIONS: MM




TOLERANCES UNLESS OTHERWISE SPECIFIED:

| | | | |
|---|--------|---|------|
| 0 | PLC | ± | - |
| 1 | PLC | ± | 0.3 |
| 2 | PLC | ± | 0.25 |
| 3 | PLC | ± | - |
| 4 | PLC | ± | - |
| | ANGLES | ± | 2° |

MATERIAL: - FINISH: -

| | | |
|------------------|------------|-----------|
| DWN | S SCHLEGEL | 20AUG2002 |
| CHK | C RICHARD | 8/20/02 |
| APVD | C RICHARD | 8/20/02 |
| PRODUCT SPEC | - | |
| APPLICATION SPEC | - | |
| WEIGHT | - | - |

CUSTOMER DRAWING



TE Connectivity

9.50MM (.374) DBL ROW BARRIER STRIP W/O WASHER

SIZE: A2 CAGE CODE: 00779 DRAWING NO: C=1546306 RESTRICTED TO: -

SCALE: NTS SHEET: 1 OF 3 REV: H2

D

C

B

A

D

C

B

A

1546306

THIS DRAWING IS UNPUBLISHED. RELEASED FOR PUBLICATION
 © COPYRIGHT - By - ALL RIGHTS RESERVED.

| LOC | | DIST | | REVISIONS | | | |
|-----|-----|-------------|------|-----------|------|--|--|
| P | LTR | DESCRIPTION | DATE | DWN | APVD | | |
| - | - | SEE SHEET 1 | - | - | - | | |

PHYSICAL PROPERTIES:
 HOUSING MATERIAL: THERMOPLASTIC, PC
 FLAMMABILITY: UL94V-0 COLOR: BLACK
 MAX BOW/WARP: .0056 IN/IN.

TERMINAL:
 TERMINALS: BRASS, TIN PLATED
 SCREWS: 6-32, STEEL, NICKEL PLATED

MECHANICAL:
 PITCH (TERMINAL SPACING): 9.50mm(.374")
 WIRE RANGE: 12-22 AWG
 RECOMMENDED TIGHTENING TORQUE: 12IN-LBS MAX.

ELECTRICAL PROPERTIES:
 MAXIMUM CURRENT: 20A
 OPERATING VOLTAGE: 300V


ENVIRONMENTAL PROPERTIES:
 OPERATING TEMP RANGE: -40°C TO +120°C.

- 1 SEE FIGURE.
- 2 MARKED WITH WHITE INK.
- 3 PRELIMINARY PART NUMBER.
- 4 SCREWS AND TERMINALS ARE NICKEL PLATED BRASS.
- 5 STAINLESS STEEL SCREWS.
- 6 SCREWS ARE NICKEL PLATED BRASS.
- 7 WIRE CLAMP SCREWS TO BE USED ONLY ON SIDE OPPOSITE QC TABS.
- 8 TE CONNECTIVITY LOGO LOCATED APPROXIMATE AREA SHOWN.

-- SELECT LOAD CHART --

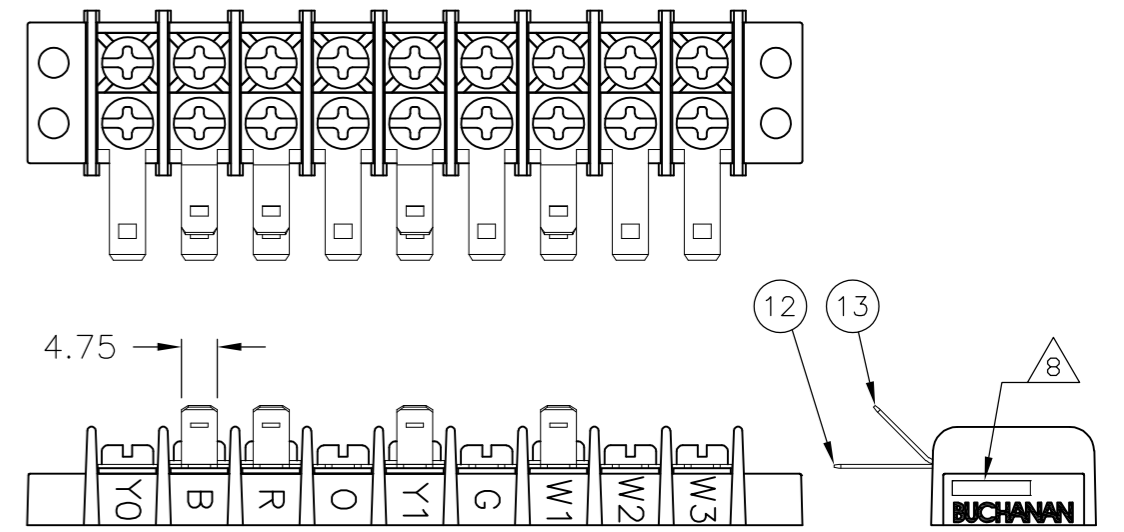
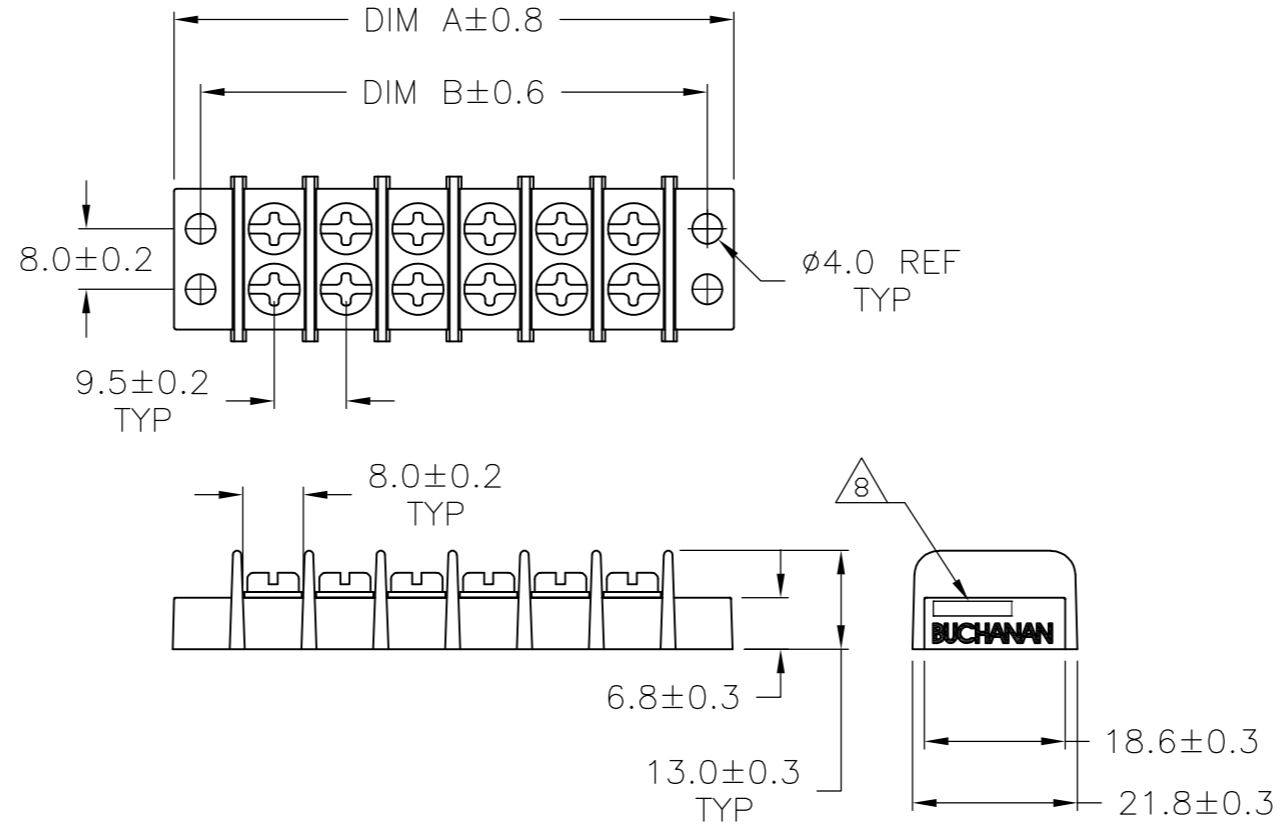
| | | | | | | | | | | | | | | | | | | | | | | | | | |
|------------------|---------------------|---------|--------------------|----|--------|-----|--------------------------|-----|--------------------------|---|---------------------------|----|--------------------------|---|--------------------------|---|---------------------------|---|--------------------------|---|--------------------------|---|---------------------------|-------------|-------------|
| - | - | 4-5,5-6 | - | - | - | - | ALL | - | - | - | - | 11 | 3-1546306-4 | | | | | | | | | | | | |
| - | - | - | - | - | - | - | ALL | 1-3 | - | - | - | 10 | 6-1546306-0 | | | | | | | | | | | | |
| - | - | 1,2 | - | - | - | ALL | - | - | - | - | - | 7 | 5-1546306-0 | | | | | | | | | | | | |
| - | - | - | - | - | 1 | ALL | - | - | - | - | - | 6 | 4-1546306-9 | | | | | | | | | | | | |
| 12 | QC TAB .187 SS FLAT | 11 | QC TAB .187 SS 90° | 10 | JUMPER | 9 | QC TAB DBL SIDE 90° .250 | 8 | QC TAB DBL SIDE 45° .250 | 7 | QC TAB DBL SIDE FLAT .250 | 6 | QC TAB DBL SIDE 90° .187 | 5 | QC TAB DBL SIDE 45° .187 | 4 | QC TAB DBL SIDE FLAT .187 | 3 | QC TAB SGL SIDE 90° .250 | 2 | QC TAB SGL SIDE 45° .250 | 1 | QC TAB SGL SIDE FLAT .250 | NO. OF POS. | PART NUMBER |
| POSITIONS LOADED | | | | | | | | | | | | | | | | | | | | | | | | | |

| | | | | | | | | | | | | | | | | | | | | | | | | | | | | | | |
|-------|-------------|---------------------|----|---------------------|----|--------------------|----|--------|---|--------------------------|---|--------------------------|---|---------------------------|---|--------------------------|---|--------------------------|-------|---------------------------|-------------|--------------------------|---|--------------------------|---|---------------------------|-------|-------|-------------|----------|
| - | - | - | - | - | - | - | - | - | - | - | - | - | - | - | - | - | - | 294.7 | 302.2 | 30 | 3-1546306-0 | | | | | | | | | |
| - | - | - | - | - | - | - | - | - | - | - | - | - | - | - | - | - | - | - | 285.2 | 292.7 | 29 | 2-1546306-9 | | | | | | | | |
| - | - | - | - | - | - | - | - | - | - | - | - | - | - | - | - | - | - | - | 275.7 | 283.2 | 28 | 2-1546306-8 | | | | | | | | |
| - | - | - | - | - | - | - | - | - | - | - | - | - | - | - | - | - | - | - | 266.2 | 273.7 | 27 | 2-1546306-7 | | | | | | | | |
| - | - | - | - | - | - | - | - | - | - | - | - | - | - | - | - | - | - | - | 256.7 | 264.2 | 26 | 2-1546306-6 | | | | | | | | |
| - | - | - | - | - | - | - | - | - | - | - | - | - | - | - | - | - | - | - | 247.2 | 254.7 | 25 | 2-1546306-5 | | | | | | | | |
| - | - | - | - | - | - | - | - | - | - | - | - | - | - | - | - | - | - | - | 237.7 | 245.2 | 24 | 2-1546306-4 | | | | | | | | |
| - | - | - | - | - | - | - | - | - | - | - | - | - | - | - | - | - | - | - | 228.2 | 235.7 | 23 | 2-1546306-3 | | | | | | | | |
| - | - | - | - | - | - | - | - | - | - | - | - | - | - | - | - | - | - | - | 218.7 | 226.2 | 22 | 2-1546306-2 | | | | | | | | |
| - | - | - | - | - | - | - | - | - | - | - | - | - | - | - | - | - | - | - | 209.2 | 216.7 | 21 | 2-1546306-1 | | | | | | | | |
| 1 | SPL MARKING | - | - | - | - | - | - | - | - | - | - | - | - | - | - | - | - | - | 199.7 | 207.2 | 20 | 3-1546306-2 | | | | | | | | |
| - | - | - | - | - | - | - | - | - | - | - | - | - | - | - | - | - | - | - | 199.7 | 207.2 | 20 | 2-1546306-0 | | | | | | | | |
| - | - | - | - | - | - | - | - | - | - | - | - | - | - | - | - | - | - | - | 190.2 | 197.7 | 19 | 1-1546306-9 | | | | | | | | |
| NOTES | 13 | QC TAB .187 SS FLAT | 12 | QC TAB .187 SS FLAT | 11 | QC TAB .187 SS 90° | 10 | JUMPER | 9 | QC TAB DBL SIDE 90° .250 | 8 | QC TAB DBL SIDE 45° .250 | 7 | QC TAB DBL SIDE FLAT .250 | 6 | QC TAB DBL SIDE 90° .187 | 5 | QC TAB DBL SIDE 45° .187 | 4 | QC TAB DBL SIDE FLAT .187 | 3 | QC TAB SGL SIDE 90° .250 | 2 | QC TAB SGL SIDE 45° .250 | 1 | QC TAB SGL SIDE FLAT .250 | DIM B | DIM A | NO. OF POS. | PART NO. |

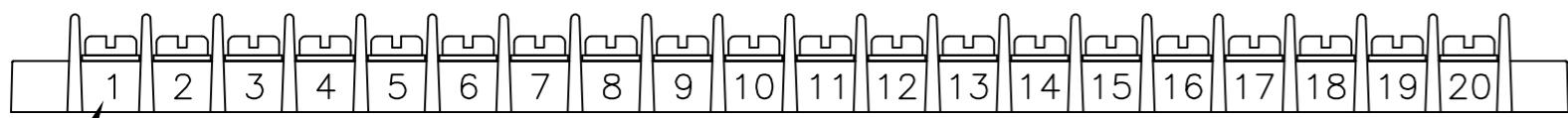
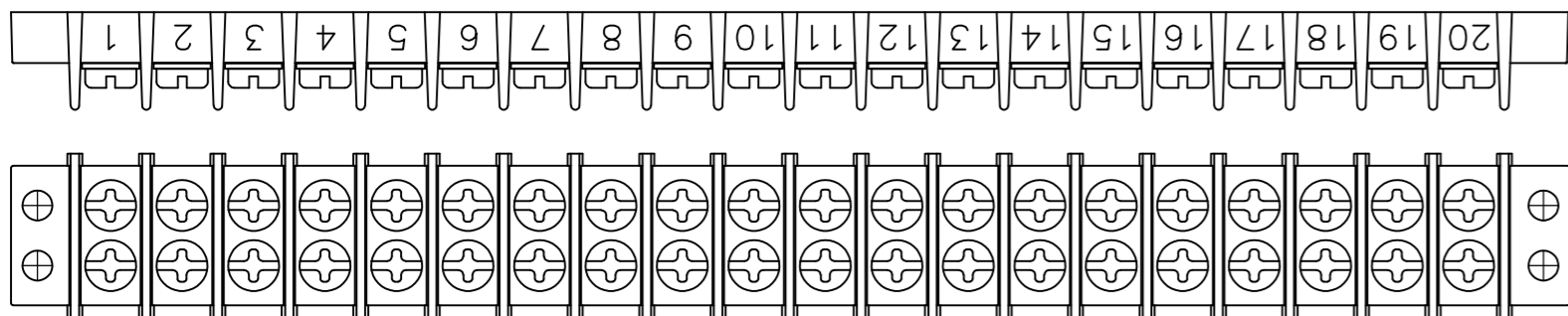
| | | | | |
|---|--|--------------------------------|---|-----------------------|
| THIS DRAWING IS A CONTROLLED DOCUMENT. | | DWN S SCHLEGEL 20AUG2002 |  TE Connectivity | |
| DIMENSIONS: MM | | CHK C RICHARD 8/20/02 | | |
| TOLERANCES UNLESS OTHERWISE SPECIFIED: | | APVD C RICHARD 8/20/02 | NAME 9.50MM (.374) DBL ROW BARRIER STRIP W/O WASHER | |
| 0 PLC ± - 1 PLC ± 0.3 2 PLC ± 0.25 3 PLC ± - 4 PLC ± - ANGLES ± 2° | | PRODUCT SPEC - | SIZE A2 | |
| MATERIAL | | APPLICATION SPEC - | CAGE CODE 00779 | DRAWING NO 1546306 |
| FINISH | | WEIGHT - | RESTRICTED TO - | SCALE NTS |
| CUSTOMER DRAWING | | | SHEET 2 of 3 | REV H2 |

THIS DRAWING IS UNPUBLISHED. RELEASED FOR PUBLICATION
 © COPYRIGHT - By - ALL RIGHTS RESERVED.

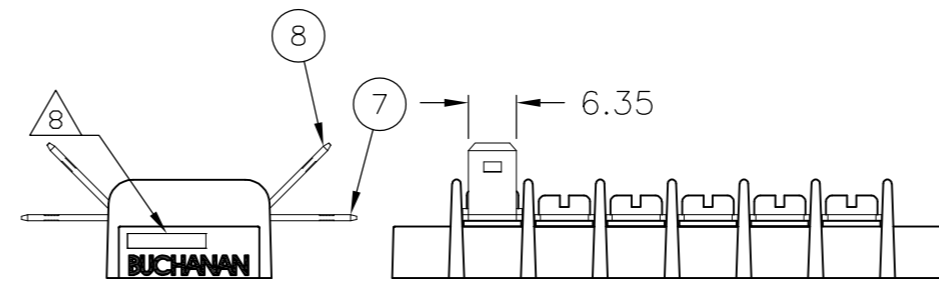
| LOC | | DIST | | REVISIONS | | | |
|-----|-----|-------------|------|-----------|------|---|---|
| P | LTR | DESCRIPTION | DATE | DWN | APVD | | |
| - | - | SEE SHEET 1 | - | - | - | - | - |



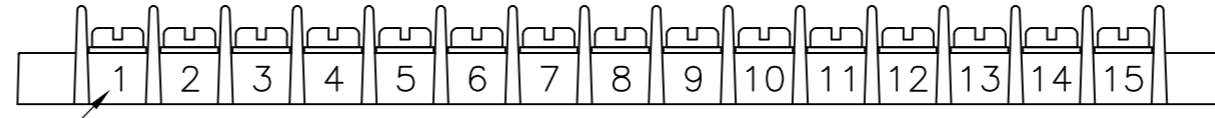
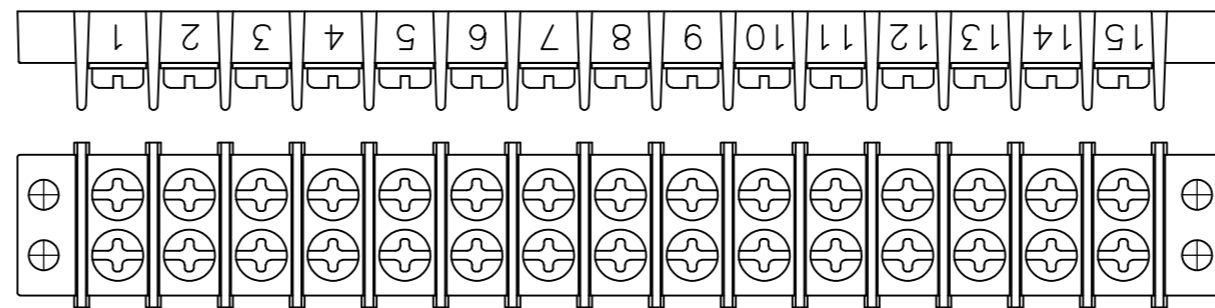
6-1546306-3



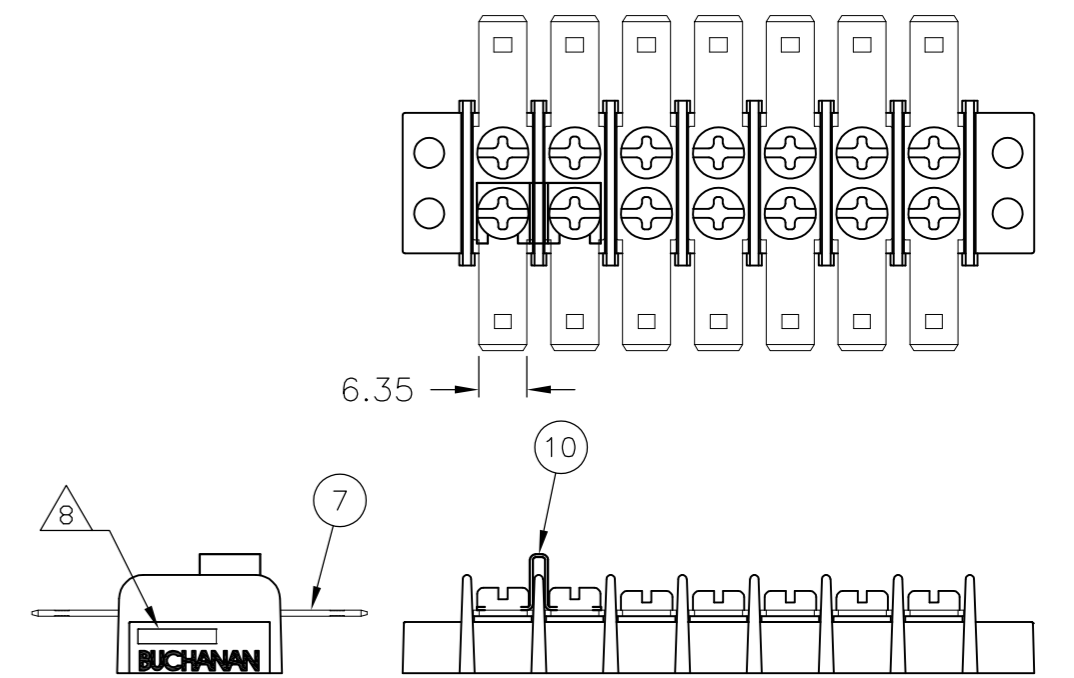
3-1546306-2



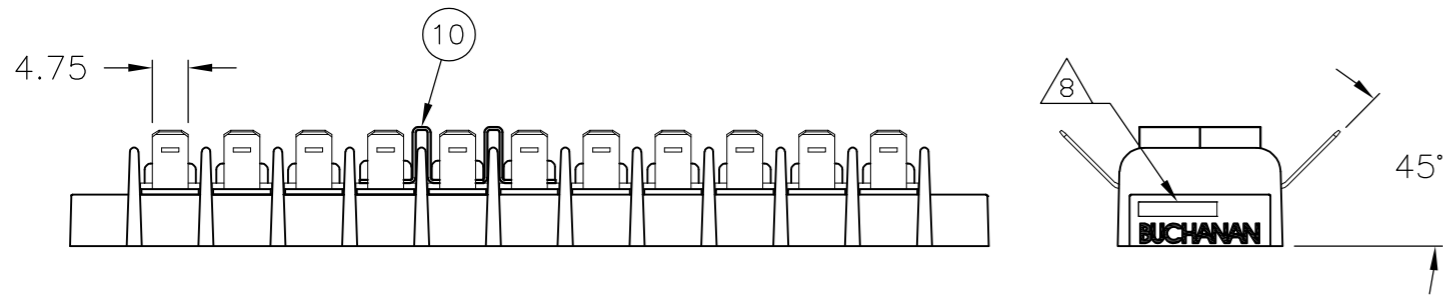
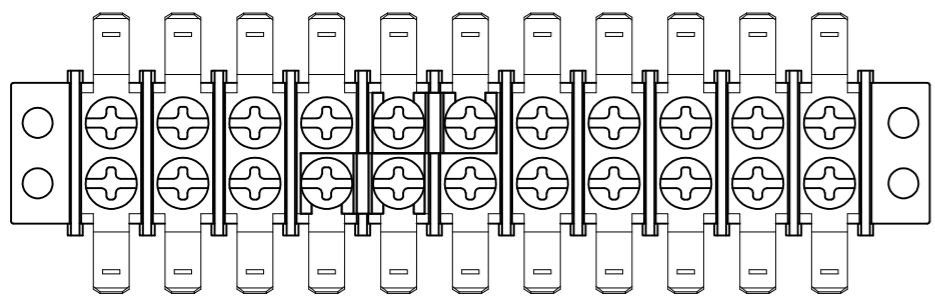
4-1546306-9



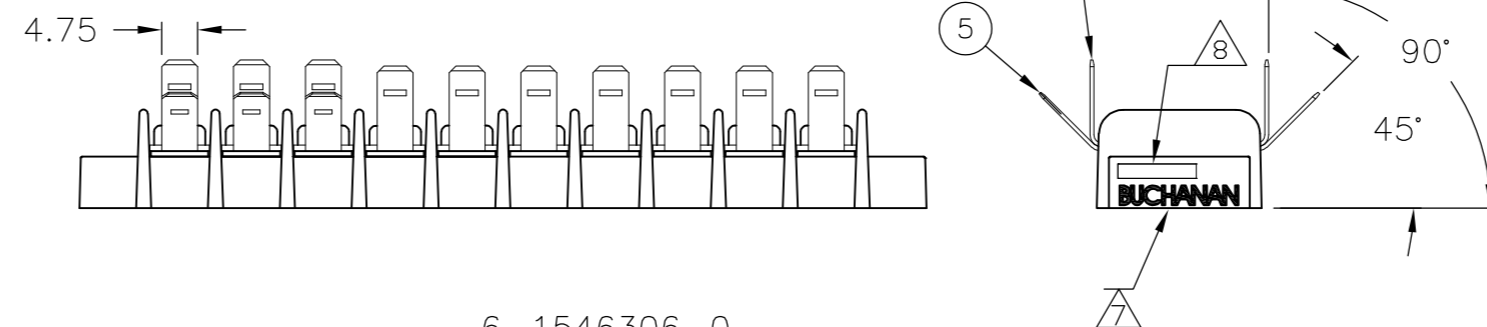
6-1546306-2



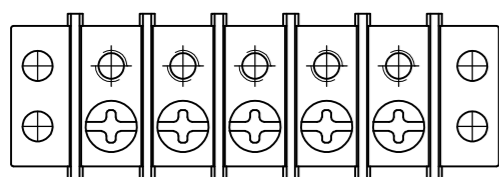
5-1546306-0



3-1546306-4



6-1546306-0



4-1546306-7

| | | | | | |
|--|--|------------------|-----------|--|--|
| THIS DRAWING IS A CONTROLLED DOCUMENT. | | DWN | 20AUG2002 | TE TE Connectivity | |
| DIMENSIONS: MM | | S | SCHLEGEL | | |
| TOLERANCES UNLESS OTHERWISE SPECIFIED: | | CHK | 8/20/02 | NAME 9.50MM (.374) DBL ROW BARRIER STRIP W/O WASHER | |
| 0 PLC ± - | | C | RICHARD | | |
| 1 PLC ± 0.3 | | APVD | 8/20/02 | SIZE A2 | |
| 2 PLC ± 0.25 | | C | RICHARD | | |
| 3 PLC ± - | | PRODUCT SPEC | | CAGE CODE 00779 | |
| 4 PLC ± - | | APPLICATION SPEC | | | |
| ANGLES ± 2° | | WEIGHT | - | DRAWING NO C=1546306 | |
| FINISH | | | | | |
| MATERIAL | | CUSTOMER DRAWING | | RESTRICTED TO - | |
| | | SCALE | NTS | | |
| | | | | REV H2 | |

Компания «Океан Электроники» предлагает заключение долгосрочных отношений при поставках импортных электронных компонентов на взаимовыгодных условиях!

Наши преимущества:

- Поставка оригинальных импортных электронных компонентов напрямую с производств Америки, Европы и Азии, а так же с крупнейших складов мира;
- Широкая линейка поставок активных и пассивных импортных электронных компонентов (более 30 млн. наименований);
- Поставка сложных, дефицитных, либо снятых с производства позиций;
- Оперативные сроки поставки под заказ (от 5 рабочих дней);
- Экспресс доставка в любую точку России;
- Помощь Конструкторского Отдела и консультации квалифицированных инженеров;
- Техническая поддержка проекта, помощь в подборе аналогов, поставка прототипов;
- Поставка электронных компонентов под контролем ВП;
- Система менеджмента качества сертифицирована по Международному стандарту ISO 9001;
- При необходимости вся продукция военного и аэрокосмического назначения проходит испытания и сертификацию в лаборатории (по согласованию с заказчиком);
- Поставка специализированных компонентов военного и аэрокосмического уровня качества (Xilinx, Altera, Analog Devices, Intersil, Interpoint, Microsemi, Actel, Aeroflex, Peregrine, VPT, Syfer, Eurofarad, Texas Instruments, MS Kennedy, Miteq, Cobham, E2V, MA-COM, Hittite, Mini-Circuits, General Dynamics и др.);

Компания «Океан Электроники» является официальным дистрибьютором и эксклюзивным представителем в России одного из крупнейших производителей разъемов военного и аэрокосмического назначения «JONHON», а так же официальным дистрибьютором и эксклюзивным представителем в России производителя высокотехнологичных и надежных решений для передачи СВЧ сигналов «FORSTAR».



JONHON

«JONHON» (основан в 1970 г.)

Разъемы специального, военного и аэрокосмического назначения:

(Применяются в военной, авиационной, аэрокосмической, морской, железнодорожной, горно- и нефтедобывающей отраслях промышленности)

«FORSTAR» (основан в 1998 г.)

ВЧ соединители, коаксиальные кабели, кабельные сборки и микроволновые компоненты:

(Применяются в телекоммуникациях гражданского и специального назначения, в средствах связи, РЛС, а так же военной, авиационной и аэрокосмической отраслях промышленности).



Телефон: 8 (812) 309-75-97 (многоканальный)

Факс: 8 (812) 320-03-32

Электронная почта: ocean@oceanchips.ru

Web: <http://oceanchips.ru/>

Адрес: 198099, г. Санкт-Петербург, ул. Калинина, д. 2, корп. 4, лит. А