

MC74AC273, MC74ACT273

Octal D Flip-Flop

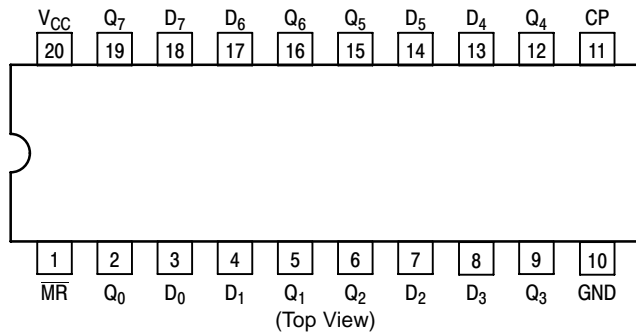
The MC74AC273/74ACT273 has eight edge-triggered D-type flip-flops with individual D inputs and Q outputs. The common buffered Clock (CP) and Master Reset (\overline{MR}) inputs load and reset (clear) all flip-flops simultaneously.

The register is fully edge-triggered. The state of each D input, one setup time before the LOW-to-HIGH clock transition, is transferred to the corresponding flip-flop's Q output.

All outputs will be forced LOW independently of Clock or Data inputs by a LOW voltage level on the \overline{MR} input. The device is useful for applications where the true output only is required and the Clock and Master Reset are common to all storage elements.

Features

- Ideal Buffer for MOS Microprocessor or Memory
- Eight Edge-Triggered D Flip-Flops
- Buffered Common Clock
- Buffered, Asynchronous Master Reset
- See MC74AC377 for Clock Enable Version
- See MC74AC373 for Transparent Latch Version
- See MC74AC374 for 3-State Version
- Outputs Source/Sink 24 mA
- 'ACT273 Has TTL Compatible Inputs
- Pb-Free Packages are Available*



Pinout: 20-Lead Packages Conductors

MODE SELECT-FUNCTION TABLE

| Operating Mode | Inputs | | | Outputs |
|----------------|--------|----|----------------|----------------|
| | MR | CP | D _n | Q _n |
| Reset (Clear) | L | X | X | L |
| Load '1' | H | ┐ | H | H |
| Load '0' | H | ┐ | L | L |

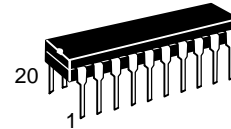
H = HIGH Voltage Level
 L = LOW Voltage Level
 X = Immaterial
 ┐ = LOW-to-HIGH Clock Transition

*For additional information on our Pb-Free strategy and soldering details, please download the ON Semiconductor Soldering and Mounting Techniques Reference Manual, SOLDERRM/D.

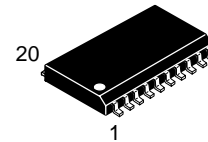


ON Semiconductor®

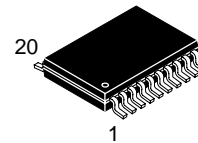
<http://onsemi.com>



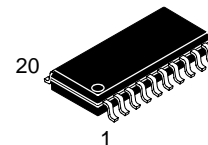
PDIP-20
 SUFFIX N
 CASE 738



SOIC-20WB
 SUFFIX DW
 CASE 751D



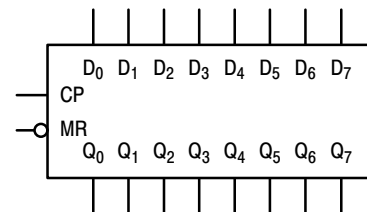
TSSOP-20
 SUFFIX DT
 CASE 948E



SOEIAJ-20
 SUFFIX M
 CASE 967

PIN ASSIGNMENT

| PIN | FUNCTION |
|--------------------------------|-------------------|
| D ₀ -D ₇ | Data Inputs |
| \overline{MR} | Master Reset |
| CP | Clock Pulse Input |
| Q ₀ -Q ₇ | Data Outputs |



Logic Symbol

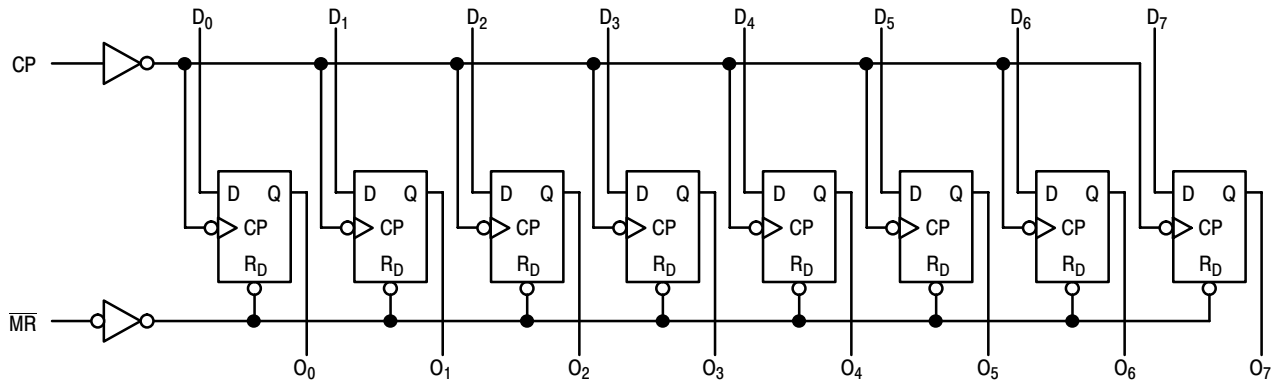
ORDERING INFORMATION

See detailed ordering and shipping information in the package dimensions section on page 5 of this data sheet.

DEVICE MARKING INFORMATION

See general marking information in the device marking section on page 6 of this data sheet.

MC74AC273, MC74ACT273



NOTE: That this diagram is provided only for the understanding of logic operations and should not be used to estimate propagation delays.

Figure 1. Logic Diagram

MAXIMUM RATINGS

| Symbol | Parameter | Value | Unit |
|-----------|---|-------------------------|-------------|
| V_{CC} | DC Supply Voltage (Referenced to GND) | - 0.5 to + 7.0 | V |
| V_{IN} | DC Input Voltage (Referenced to GND) | - 0.5 to $V_{CC} + 0.5$ | V |
| V_{OUT} | DC Output Voltage (Referenced to GND) | - 0.5 to $V_{CC} + 0.5$ | V |
| I_{IN} | DC Input Current, per Pin | ± 20 | mA |
| I_{OUT} | DC Output Sink/Source Current, per Pin | ± 50 | mA |
| I_{CC} | DC V_{CC} or GND Current per Output Pin | ± 50 | mA |
| T_{stg} | Storage Temperature | - 65 to + 150 | $^{\circ}C$ |

Maximum ratings are those values beyond which device damage can occur. Maximum ratings applied to the device are individual stress limit values (not normal operating conditions) and are not valid simultaneously. If these limits are exceeded, device functional operation is not implied, damage may occur and reliability may be affected.

RECOMMENDED OPERATING CONDITIONS

| Symbol | Parameter | Min | Typ | Max | Unit | |
|-------------------|---|------------------|-----|----------|-------------|------|
| V_{CC} | Supply Voltage | 'AC | 2.0 | 5.0 | 6.0 | V |
| | | 'ACT | 4.5 | 5.0 | 5.5 | |
| V_{in}, V_{out} | DC Input Voltage, Output Voltage (Ref. to GND) | 0 | - | V_{CC} | V | |
| t_r, t_f | Input Rise and Fall Time (Note 1) 'AC Devices except Schmitt Inputs | V_{CC} @ 3.0 V | - | 150 | - | ns/V |
| | | V_{CC} @ 4.5 V | - | 40 | - | |
| | | V_{CC} @ 5.5 V | - | 25 | - | |
| t_r, t_f | Input Rise and Fall Time (Note 2) 'ACT Devices except Schmitt Inputs | V_{CC} @ 4.5 V | - | 10 | - | ns/V |
| | | V_{CC} @ 5.5 V | - | 8.0 | - | |
| T_J | Junction Temperature (PDIP) | - | - | 140 | $^{\circ}C$ | |
| T_A | Operating Ambient Temperature Range | -40 | 25 | 85 | $^{\circ}C$ | |
| I_{OH} | Output Current - High | - | - | -24 | mA | |
| I_{OL} | Output Current - Low | - | - | 24 | mA | |

- V_{IN} from 30% to 70% V_{CC} ; see individual Data Sheets for devices that differ from the typical input rise and fall times.
- V_{IN} from 0.8 V to 2.0 V; see individual Data Sheets for devices that differ from the typical input rise and fall times.

MC74AC273, MC74ACT273

DC CHARACTERISTICS

| Symbol | Parameter | V _{CC} (V) | 74AC | | 74AC | | Unit | Conditions | | | | | |
|--------------------------------------|-----------------------------------|------------------------|------------------------|-------------------|---------------------------------|------|------|--|---|---|------|------|------|
| | | | T _A = +25°C | | T _A = -40°C to +85°C | | | | | | | | |
| | | | Typ | Guaranteed Limits | | | | | | | | | |
| V _{IH} | Minimum High Level Input Voltage | 3.0 | 1.5 | 2.1 | 2.1 | | V | V _{OUT} = 0.1 V or V _{CC} - 0.1 V | | | | | |
| | | 4.5 | 2.25 | 3.15 | 3.15 | | | | | | | | |
| | | 5.5 | 2.75 | 3.85 | 3.85 | | | | | | | | |
| V _{IL} | Maximum Low Level Input Voltage | 3.0 | 1.5 | 0.9 | 0.9 | | V | V _{OUT} = 0.1 V or V _{CC} - 0.1 V | | | | | |
| | | 4.5 | 2.25 | 1.35 | 1.35 | | | | | | | | |
| | | 5.5 | 2.75 | 1.65 | 1.65 | | | | | | | | |
| V _{OH} | Minimum High Level Output Voltage | 3.0 | 2.99 | 2.9 | 2.9 | | V | I _{OUT} = -50 μA | | | | | |
| | | 4.5 | 4.49 | 4.4 | 4.4 | | | | | | | | |
| | | 5.5 | 5.49 | 5.4 | 5.4 | | | | | | | | |
| | 3.0 | - | 4.5 | - | 5.5 | 2.56 | 3.86 | 4.76 | V | *V _{IN} = V _{IL} or V _{IH} -12 mA I _{OH} -24 mA -24 mA | | | |
| | | | | | | | | | | | 2.46 | 3.76 | 4.76 |
| | | | | | | | | | | | 2.46 | 3.76 | 4.76 |
| V _{OL} | Maximum Low Level Output Voltage | 3.0 | 0.002 | 0.1 | 0.1 | | V | I _{OUT} = 50 μA | | | | | |
| | | 4.5 | 0.001 | 0.1 | 0.1 | | | | | | | | |
| | | 5.5 | 0.001 | 0.1 | 0.1 | | | | | | | | |
| | 3.0 | - | 4.5 | - | 5.5 | 0.36 | 0.36 | 0.44 | V | *V _{IN} = V _{IL} or V _{IH} 12 mA I _{OL} 24 mA 24 mA | | | |
| | | | | | | | | | | | 0.36 | 0.36 | 0.44 |
| | | | | | | | | | | | 0.36 | 0.36 | 0.44 |
| I _{IN} | Maximum Input Leakage Current | 5.5 | - | ±0.1 | ±1.0 | | μA | V _I = V _{CC} , GND | | | | | |
| I _{OLD} I _{OHD} | †Minimum Dynamic Output Current | 5.5 | - | - | 75 | | mA | V _{OLD} = 1.65 V Max V _{OHD} = 3.85 V Min | | | | | |
| | | 5.5 | - | - | -75 | | | | | | | | |
| I _{CC} | Maximum Quiescent Supply Current | 5.5 | - | 8.0 | 80 | | μA | V _{IN} = V _{CC} or GND | | | | | |

*All outputs loaded; thresholds on input associated with output under test.

†Maximum test duration 2.0 ms, one output loaded at a time.

NOTE: Note: I_{IN} and I_{CC} @ 3.0 V are guaranteed to be less than or equal to the respective limit @ 5.5 V V_{CC}.

AC CHARACTERISTICS (For Figures and Waveforms – See Section 3 of the ON Semiconductor FACT Data Book, DL138/D)

| Symbol | Parameter | V _{CC} * (V) | 74AC | | | 74AC | | Unit | Figure No. |
|------------------|-----------------------------------|--------------------------|---|------------|--------------|--|--------------|------|------------|
| | | | T _A = +25°C C _L = 50 pF | | | T _A = -40°C to +85°C C _L = 50 pF | | | |
| | | | Min | Typ | Max | Min | Max | | |
| f _{max} | Maximum Clock Frequency | 3.3 5.0 | 90 140 | 125 175 | - - | 75 125 | - - | Mhz | 3-3 |
| t _{PLH} | Propagation Delay Clock to Output | 3.3 5.0 | 4.0 3.0 | 7.0 5.5 | 12.5 9.0 | 3.0 2.5 | 14.0 10.0 | ns | 3-6 |
| t _{PHL} | Propagation Delay Clock to Output | 3.3 5.0 | 4.0 3.0 | 7.0 5.0 | 13.0 10.0 | 3.5 2.5 | 14.5 11.0 | ns | 3-6 |
| t _{PHL} | Propagation Delay MR to Output | 3.3 5.0 | 4.0 3.0 | 7.0 5.0 | 13.0 10.0 | 3.5 2.5 | 14.0 10.5 | ns | 3-6 |

*Voltage Range 3.3 V is 3.3 V ±0.3 V. Voltage Range 5.0 V is 5.0 V ±0.5 V.

AC OPERATING REQUIREMENTS

| Symbol | Parameter | V _{CC} * (V) | 74AC | | 74AC | | Unit | Figure No. |
|------------------|------------------------------------|--------------------------|---|--------------------|--|--|------|------------|
| | | | T _A = +25°C C _L = 50 pF | | T _A = -40°C to +85°C C _L = 50 pF | | | |
| | | | Typ | Guaranteed Minimum | | | | |
| t _s | Setup Time, HIGH or LOW Data to CP | 3.3 5.0 | 3.5 2.5 | 5.5 4.0 | 6.0 4.5 | | ns | 3-9 |
| t _h | Hold Time, HIGH or LOW Data to CP | 3.3 5.0 | -2.0 -1.0 | 0 1.0 | 0 1.0 | | ns | 3-9 |
| t _w | Clock Pulse Width HIGH or LOW | 3.3 5.0 | 3.5 2.5 | 5.5 4.0 | 6.0 4.5 | | ns | 3-6 |
| t _w | MR Pulse Width HIGH or LOW | 3.3 5.0 | 2.0 1.5 | 5.5 4.0 | 6.0 4.5 | | ns | 3-6 |
| t _{rec} | Recovery Time MR to CP | 3.3 5.0 | 1.5 1.0 | 3.5 2.0 | 4.5 3.0 | | ns | 3-9 |

*Voltage Range 3.3 V is 3.3 V ±0.3 V. Voltage Range 5.0 V is 5.0 V ±0.5 V.

MC74AC273, MC74ACT273

DC CHARACTERISTICS

| Symbol | Parameter | V _{CC} (V) | 74ACT | | 74ACT | | Unit | Conditions |
|--------------------------------------|--|---------------------|-------------------------------|-------------------|---------------------------------|------|------|---|
| | | | T _A = +25°C | | T _A = -40°C to +85°C | | | |
| | | | Typ | Guaranteed Limits | | | | |
| V _{IH} | Minimum High Level Input Voltage | 4.5 5.5 | 1.5 1.5 | 2.0 2.0 | 2.0 2.0 | | V | V _{OUT} = 0.1 V or V _{CC} - 0.1 V |
| V _{IL} | Maximum Low Level Input Voltage | 4.5 5.5 | 1.5 1.5 | 0.8 0.8 | 0.8 0.8 | | V | V _{OUT} = 0.1 V or V _{CC} - 0.1 V |
| V _{OH} | Minimum High Level Output Voltage | 4.5 5.5 | 4.49 5.49 | 4.4 5.4 | 4.4 5.4 | | V | I _{OUT} = -50 μA |
| | | 4.5 5.5 | - - | 3.86 4.86 | 3.76 4.76 | | V | *V _{IN} = V _{IL} or V _{IH} I _{OH} -24 mA -24 mA |
| V _{OL} | Maximum Low Level Output Voltage | 4.5 5.5 | 0.001 0.001 | 0.1 0.1 | 0.1 0.1 | | V | I _{OUT} = 50 μA |
| | | 4.5 5.5 | - - | 0.36 0.36 | 0.44 0.44 | | V | *V _{IN} = V _{IL} or V _{IH} 24 mA I _{OL} 24 mA |
| | | I _{IN} | Maximum Input Leakage Current | 5.5 | - | ±0.1 | ±1.0 | |
| ΔI _{CCT} | Additional Max. I _{CC} /Input | 5.5 | 0.6 | - | 1.5 | | mA | V _I = V _{CC} - 2.1 V |
| I _{OLD} I _{OHD} | †Minimum Dynamic Output Current | 5.5 5.5 | - - | - - | 75 -75 | | mA | V _{OLD} = 1.65 V Max V _{OHD} = 3.85 V Min |
| I _{CC} | Maximum Quiescent Supply Current | 5.5 | - | 8.0 | 80 | | μA | V _{IN} = V _{CC} or GND |

*All outputs loaded; thresholds on input associated with output under test.

†Maximum test duration 2.0 ms, one output loaded at a time.

AC CHARACTERISTICS (For Figures and Waveforms – See Section 3 of the ON Semiconductor FACT Data Book, DL138/D)

| Symbol | Parameter | V _{CC} * (V) | 74ACT | | | 74ACT | | Unit | Figure No. |
|------------------|---|-----------------------|---|-----|-----|---|------|------|------------|
| | | | T _A = +25°C C _L = 50 pF | | | T _A = -40°C to +85°C C _L = 50 pF | | | |
| | | | Min | Typ | Max | Min | Max | | |
| f _{max} | Maximum Clock Frequency | 5.0 | 125 | 200 | - | 125 | - | MHz | 3-3 |
| t _{PHL} | Propagation Delay Clock to Output | 5.0 | 3.0 | 6.0 | 10 | 2.5 | 11.0 | ns | 3-6 |
| t _{PLH} | Propagation Delay Clock to Output | 5.0 | 3.0 | 6.5 | 11 | 2.5 | 12.0 | ns | 3-6 |
| t _{PHL} | Propagation Delay \overline{MR} to Output | 5.0 | 3.0 | 7.0 | 11 | 2.5 | 11.5 | ns | 3-6 |

*Voltage Range 5.0 V is 5.0 V ±0.5 V.

AC OPERATING REQUIREMENTS

| Symbol | Parameter | V _{CC} * (V) | 74ACT | | 74ACT | | Unit | Figure No. |
|------------------|---|-----------------------|---|--------------------|---|--|------|------------|
| | | | T _A = +25°C C _L = 50 pF | | T _A = -40°C to +85°C C _L = 50 pF | | | |
| | | | Typ | Guaranteed Minimum | | | | |
| t _s | Setup Time, HIGH or LOW – Data to CP | 5.0 | 3.0 | 4.5 | 5.0 | | ns | 3-9 |
| t _h | Hold Time, HIGH or LOW – Data to CP | 5.0 | -2.5 | 2.0 | 2.0 | | ns | 3-9 |
| t _w | Clock Pulse Width – HIGH or LOW | 5.0 | 2.5 | 4.0 | 4.5 | | ns | 3-6 |
| t _w | \overline{MR} Pulse Width – HIGH or LOW | 5.0 | 2.5 | 4.0 | 4.5 | | ns | 3-6 |
| t _{rec} | Recovery Time – \overline{MR} to CP | 5.0 | -1.0 | 2.0 | 3.0 | | ns | 3-6 |

*Voltage Range 5.0 V is 5.0 V ±0.5 V.

CAPACITANCE

| Symbol | Parameter | Value Typ | Unit | Test Conditions |
|-----------------|-------------------------------|-----------|------|-------------------------|
| C _{IN} | Input Capacitance | 4.5 | pF | V _{CC} = 5.0 V |
| C _{PD} | Power Dissipation Capacitance | 50 | pF | V _{CC} = 5.0 V |

MC74AC273, MC74ACT273

ORDERING INFORMATION

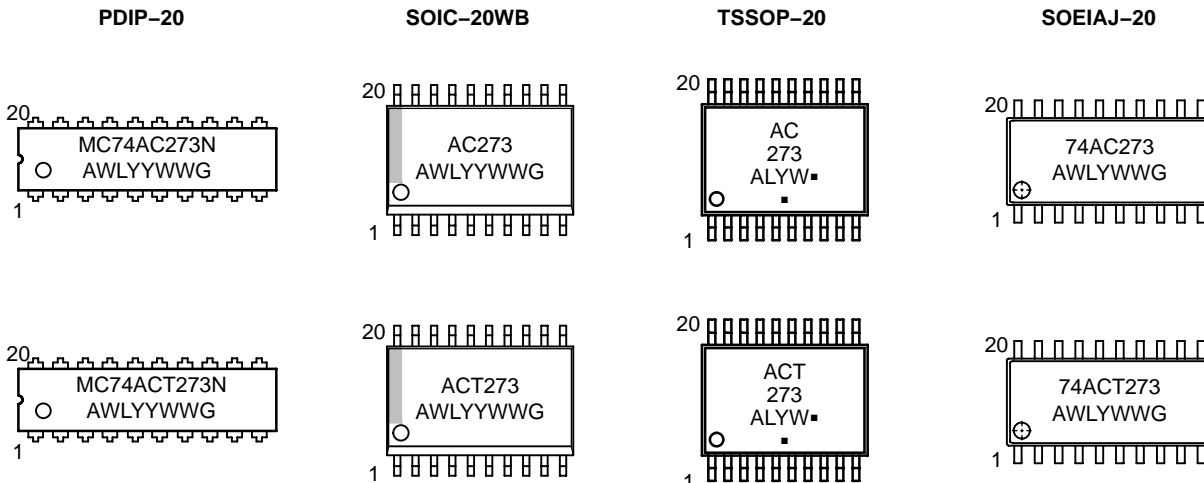
| Device | Package | Shipping† |
|-----------------|------------------------|--------------------|
| MC74AC273N | PDIP-20 | 18 Units / Rail |
| MC74AC273NG | PDIP-20 (Pb-Free) | 18 Units / Rail |
| MC74ACT273N | PDIP-20 | 18 Units / Rail |
| MC74ACT273NG | PDIP-20 (Pb-Free) | 18 Units / Rail |
| MC74AC273DW | SOIC-20WB | 38 Units / Rail |
| MC74AC273DWG | SOIC-20WB (Pb-Free) | 38 Units / Rail |
| MC74AC273DWR2 | SOIC-20WB | 1000 / Tape & Reel |
| MC74AC273DWR2G | SOIC-20WB (Pb-Free) | 1000 / Tape & Reel |
| MC74AC273DTR2 | TSSOP-20* | 2500 / Tape & Reel |
| MC74AC273DTR2G | TSSOP-20* | 2500 / Tape & Reel |
| MC74ACT273DW | SOIC-20WB | 38 Units / Rail |
| MC74ACT273DWG | SOIC-20WB (Pb-Free) | 38 Units / Rail |
| MC74ACT273DWR2 | SOIC-20WB | 1000 / Tape & Reel |
| MC74ACT273DWR2G | SOIC-20WB (Pb-Free) | 1000 / Tape & Reel |
| MC74ACT273DTR2 | TSSOP-20* | 2500 / Tape & Reel |
| MC74ACT273DTR2G | TSSOP-20* | 2500 / Tape & Reel |
| MC74AC273MEL | SOEIAJ-20 | 2000 / Tape & Reel |
| MC74AC273MELG | SOEIAJ-20 (Pb-Free) | 2000 / Tape & Reel |
| MC74ACT273M | SOEIAJ-20 | 40 Units / Rail |
| MC74ACT273MG | SOEIAJ-20 (Pb-Free) | 40 Units / Rail |
| MC74ACT273MEL | SOEIAJ-20 | 2000 / Tape & Reel |
| MC74ACT273MELG | SOEIAJ-20 (Pb-Free) | 2000 / Tape & Reel |

†For information on tape and reel specifications, including part orientation and tape sizes, please refer to our Tape and Reel Packaging Specifications Brochure, BRD8011/D.

*This package is inherently Pb-Free.

MC74AC273, MC74ACT273

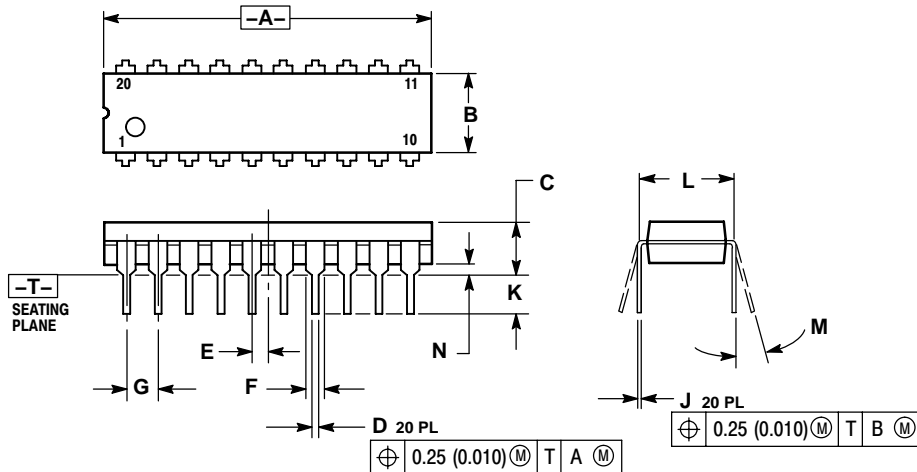
MARKING DIAGRAMS



A = Assembly Location
 WL, L = Wafer Lot
 YY, Y = Year
 WW, W = Work Week
 G or ▪ = Pb-Free Package
 (Note: Microdot may be in either location)

PACKAGE DIMENSIONS

PDIP-20
 N SUFFIX
 CASE 738-03
 ISSUE E



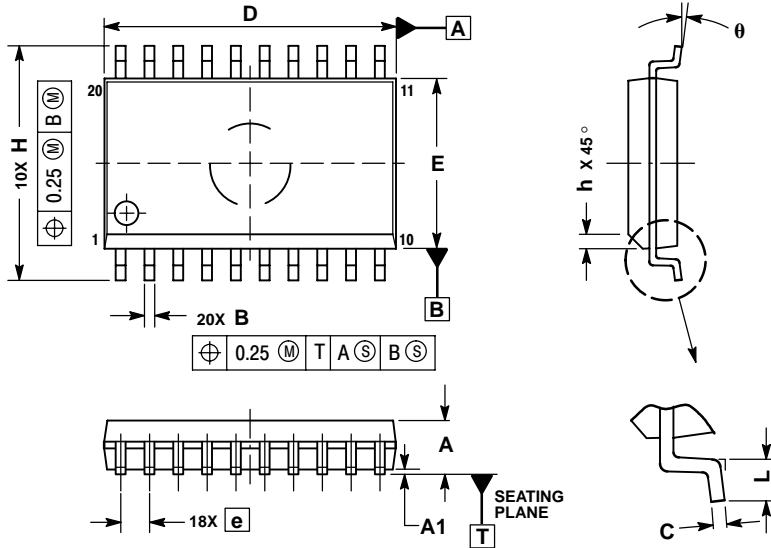
- NOTES:
- DIMENSIONING AND TOLERANCING PER ANSI Y14.5M, 1982.
 - CONTROLLING DIMENSION: INCH.
 - DIMENSION L TO CENTER OF LEAD WHEN FORMED PARALLEL.
 - DIMENSION B DOES NOT INCLUDE MOLD FLASH.

| DIM | INCHES | | MILLIMETERS | |
|-----|-----------|-------|-------------|-------|
| | MIN | MAX | MIN | MAX |
| A | 1.010 | 1.070 | 25.66 | 27.17 |
| B | 0.240 | 0.260 | 6.10 | 6.60 |
| C | 0.150 | 0.180 | 3.81 | 4.57 |
| D | 0.015 | 0.022 | 0.39 | 0.55 |
| E | 0.050 BSC | | 1.27 BSC | |
| F | 0.050 | 0.070 | 1.27 | 1.77 |
| G | 0.100 BSC | | 2.54 BSC | |
| J | 0.008 | 0.015 | 0.21 | 0.38 |
| K | 0.110 | 0.140 | 2.80 | 3.55 |
| L | 0.300 BSC | | 7.62 BSC | |
| M | 0° | 15° | 0° | 15° |
| N | 0.020 | 0.040 | 0.51 | 1.01 |

MC74AC273, MC74ACT273

PACKAGE DIMENSIONS

SOIC-20 WB
DW SUFFIX
CASE 751D-05
ISSUE G

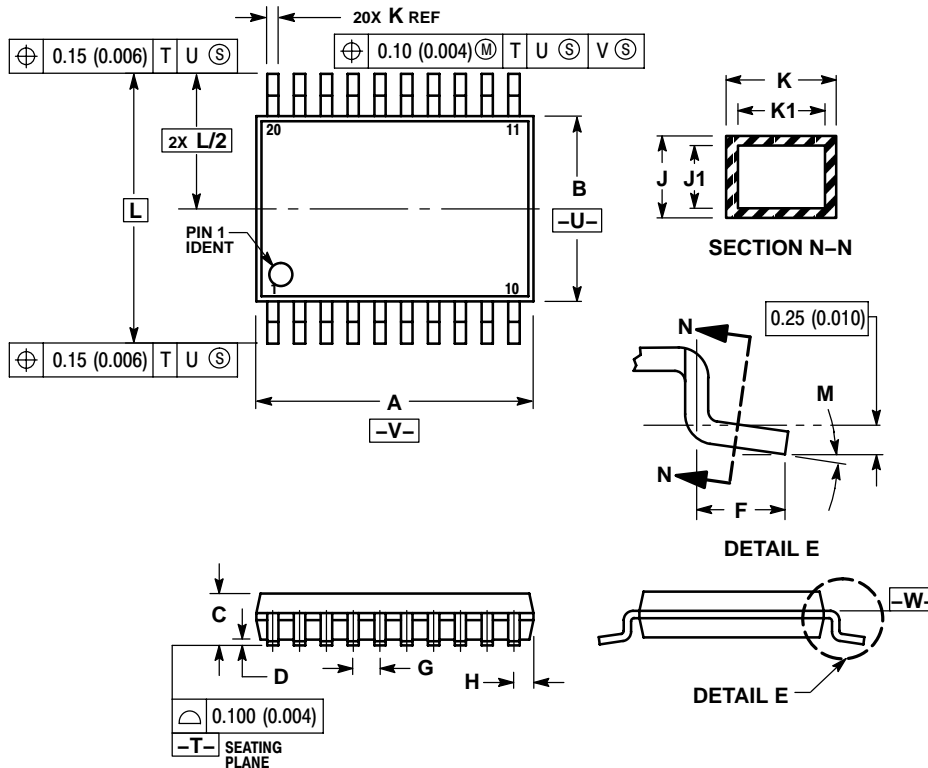


NOTES:

1. DIMENSIONS ARE IN MILLIMETERS.
2. INTERPRET DIMENSIONS AND TOLERANCES PER ASME Y14.5M, 1994.
3. DIMENSIONS D AND E DO NOT INCLUDE MOLD PROTRUSION.
4. MAXIMUM MOLD PROTRUSION 0.15 PER SIDE.
5. DIMENSION B DOES NOT INCLUDE DAMBAR PROTRUSION. ALLOWABLE PROTRUSION SHALL BE 0.13 TOTAL IN EXCESS OF B DIMENSION AT MAXIMUM MATERIAL CONDITION.

| DIM | MILLIMETERS | |
|-----|-------------|-------|
| | MIN | MAX |
| A | 2.35 | 2.65 |
| A1 | 0.10 | 0.25 |
| B | 0.35 | 0.49 |
| C | 0.23 | 0.32 |
| D | 12.65 | 12.95 |
| E | 7.40 | 7.60 |
| e | 1.27 BSC | |
| H | 10.05 | 10.55 |
| h | 0.25 | 0.75 |
| L | 0.50 | 0.90 |
| θ | 0° | 7° |

TSSOP-20
D5 SUFFIX
CASE 948E-02
ISSUE B



NOTES:

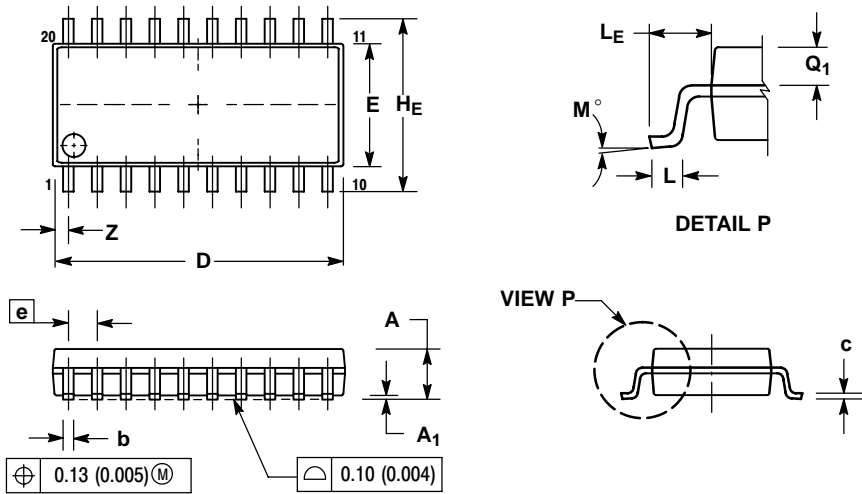
1. DIMENSIONING AND TOLERANCING PER ANSI Y14.5M, 1982.
2. CONTROLLING DIMENSION: MILLIMETER.
3. DIMENSION A DOES NOT INCLUDE MOLD FLASH, PROTRUSIONS OR GATE BURRS. MOLD FLASH OR GATE BURRS SHALL NOT EXCEED 0.15 (0.006) PER SIDE.
4. DIMENSION B DOES NOT INCLUDE INTERLEAD FLASH OR PROTRUSION. INTERLEAD FLASH OR PROTRUSION SHALL NOT EXCEED 0.25 (0.010) PER SIDE.
5. DIMENSION K DOES NOT INCLUDE DAMBAR PROTRUSION. ALLOWABLE DAMBAR PROTRUSION SHALL BE 0.08 (0.003) TOTAL IN EXCESS OF THE K DIMENSION AT MAXIMUM MATERIAL CONDITION.
6. TERMINAL NUMBERS ARE SHOWN FOR REFERENCE ONLY.
7. DIMENSION A AND B ARE TO BE DETERMINED AT DATUM PLANE -W-.

| DIM | MILLIMETERS | | INCHES | |
|-----|-------------|------|-----------|-------|
| | MIN | MAX | MIN | MAX |
| A | 6.40 | 6.60 | 0.252 | 0.260 |
| B | 4.30 | 4.50 | 0.169 | 0.177 |
| C | --- | 1.20 | --- | 0.047 |
| D | 0.05 | 0.15 | 0.002 | 0.006 |
| F | 0.50 | 0.75 | 0.020 | 0.030 |
| G | 0.65 BSC | | 0.026 BSC | |
| H | 0.27 | 0.37 | 0.011 | 0.015 |
| J | 0.09 | 0.20 | 0.004 | 0.008 |
| J1 | 0.09 | 0.16 | 0.004 | 0.006 |
| K | 0.19 | 0.30 | 0.007 | 0.012 |
| K1 | 0.19 | 0.25 | 0.007 | 0.010 |
| L | 6.40 BSC | | 0.252 BSC | |
| M | 0° | 8° | 0° | 8° |

MC74AC273, MC74ACT273

PACKAGE DIMENSIONS

SOEIAJ-20
M SUFFIX
CASE 967-01
ISSUE A



NOTES:

1. DIMENSIONING AND TOLERANCING PER ANSI Y14.5M, 1982.
2. CONTROLLING DIMENSION: MILLIMETER.
3. DIMENSIONS D AND E DO NOT INCLUDE MOLD FLASH OR PROTRUSIONS AND ARE MEASURED AT THE PARTING LINE. MOLD FLASH OR PROTRUSIONS SHALL NOT EXCEED 0.15 (0.006) PER SIDE.
4. TERMINAL NUMBERS ARE SHOWN FOR REFERENCE ONLY.
5. THE LEAD WIDTH DIMENSION (b) DOES NOT INCLUDE DAMBAR PROTRUSION. ALLOWABLE DAMBAR PROTRUSION SHALL BE 0.08 (0.003) TOTAL IN EXCESS OF THE LEAD WIDTH DIMENSION AT MAXIMUM MATERIAL CONDITION. DAMBAR CANNOT BE LOCATED ON THE LOWER RADIUS OR THE FOOT. MINIMUM SPACE BETWEEN PROTRUSIONS AND ADJACENT LEAD TO BE 0.46 (0.018).

| DIM | MILLIMETERS | | INCHES | |
|----------------|-------------|-------|-----------|-------|
| | MIN | MAX | MIN | MAX |
| A | --- | 2.05 | --- | 0.081 |
| A ₁ | 0.05 | 0.20 | 0.002 | 0.008 |
| b | 0.35 | 0.50 | 0.014 | 0.020 |
| c | 0.15 | 0.25 | 0.006 | 0.010 |
| D | 12.35 | 12.80 | 0.486 | 0.504 |
| E | 5.10 | 5.45 | 0.201 | 0.215 |
| e | 1.27 BSC | | 0.050 BSC | |
| HE | 7.40 | 8.20 | 0.291 | 0.323 |
| L | 0.50 | 0.85 | 0.020 | 0.033 |
| LE | 1.10 | 1.50 | 0.043 | 0.059 |
| M | 0° | 10° | 0° | 10° |
| Q ₁ | 0.70 | 0.90 | 0.028 | 0.035 |
| Z | --- | 0.81 | --- | 0.032 |

ON Semiconductor and are registered trademarks of Semiconductor Components Industries, LLC (SCILLC). SCILLC reserves the right to make changes without further notice to any products herein. SCILLC makes no warranty, representation or guarantee regarding the suitability of its products for any particular purpose, nor does SCILLC assume any liability arising out of the application or use of any product or circuit, and specifically disclaims any and all liability, including without limitation special, consequential or incidental damages. "Typical" parameters which may be provided in SCILLC data sheets and/or specifications can and do vary in different applications and actual performance may vary over time. All operating parameters, including "Typicals" must be validated for each customer application by customer's technical experts. SCILLC does not convey any license under its patent rights nor the rights of others. SCILLC products are not designed, intended, or authorized for use as components in systems intended for surgical implant into the body, or other applications intended to support or sustain life, or for any other application in which the failure of the SCILLC product could create a situation where personal injury or death may occur. Should Buyer purchase or use SCILLC products for any such unintended or unauthorized application, Buyer shall indemnify and hold SCILLC and its officers, employees, subsidiaries, affiliates, and distributors harmless against all claims, costs, damages, and expenses, and reasonable attorney fees arising out of, directly or indirectly, any claim of personal injury or death associated with such unintended or unauthorized use, even if such claim alleges that SCILLC was negligent regarding the design or manufacture of the part. SCILLC is an Equal Opportunity/Affirmative Action Employer. This literature is subject to all applicable copyright laws and is not for resale in any manner.

PUBLICATION ORDERING INFORMATION

LITERATURE FULFILLMENT:
Literature Distribution Center for ON Semiconductor
P.O. Box 61312, Phoenix, Arizona 85082-1312 USA
Phone: 480-829-7710 or 800-344-3860 Toll Free USA/Canada
Fax: 480-829-7709 or 800-344-3867 Toll Free USA/Canada
Email: orderlit@onsemi.com

N. American Technical Support: 800-282-9855 Toll Free
USA/Canada

Japan: ON Semiconductor, Japan Customer Focus Center
2-9-1 Kamimeguro, Meguro-ku, Tokyo, Japan 153-0051
Phone: 81-3-5773-3850

ON Semiconductor Website: <http://onsemi.com>

Order Literature: <http://www.onsemi.com/litorder>

For additional information, please contact your local Sales Representative.

Компания «Океан Электроники» предлагает заключение долгосрочных отношений при поставках импортных электронных компонентов на взаимовыгодных условиях!

Наши преимущества:

- Поставка оригинальных импортных электронных компонентов напрямую с производств Америки, Европы и Азии, а так же с крупнейших складов мира;
- Широкая линейка поставок активных и пассивных импортных электронных компонентов (более 30 млн. наименований);
- Поставка сложных, дефицитных, либо снятых с производства позиций;
- Оперативные сроки поставки под заказ (от 5 рабочих дней);
- Экспресс доставка в любую точку России;
- Помощь Конструкторского Отдела и консультации квалифицированных инженеров;
- Техническая поддержка проекта, помощь в подборе аналогов, поставка прототипов;
- Поставка электронных компонентов под контролем ВП;
- Система менеджмента качества сертифицирована по Международному стандарту ISO 9001;
- При необходимости вся продукция военного и аэрокосмического назначения проходит испытания и сертификацию в лаборатории (по согласованию с заказчиком);
- Поставка специализированных компонентов военного и аэрокосмического уровня качества (Xilinx, Altera, Analog Devices, Intersil, Interpoint, Microsemi, Actel, Aeroflex, Peregrine, VPT, Syfer, Eurofarad, Texas Instruments, MS Kennedy, Miteq, Cobham, E2V, MA-COM, Hittite, Mini-Circuits, General Dynamics и др.);

Компания «Океан Электроники» является официальным дистрибьютором и эксклюзивным представителем в России одного из крупнейших производителей разъемов военного и аэрокосмического назначения «JONHON», а так же официальным дистрибьютором и эксклюзивным представителем в России производителя высокотехнологичных и надежных решений для передачи СВЧ сигналов «FORSTAR».



JONHON

«JONHON» (основан в 1970 г.)

Разъемы специального, военного и аэрокосмического назначения:

(Применяются в военной, авиационной, аэрокосмической, морской, железнодорожной, горно- и нефтедобывающей отраслях промышленности)

«FORSTAR» (основан в 1998 г.)

ВЧ соединители, коаксиальные кабели, кабельные сборки и микроволновые компоненты:

(Применяются в телекоммуникациях гражданского и специального назначения, в средствах связи, РЛС, а так же военной, авиационной и аэрокосмической отраслях промышленности).



Телефон: 8 (812) 309-75-97 (многоканальный)

Факс: 8 (812) 320-03-32

Электронная почта: ocean@oceanchips.ru

Web: <http://oceanchips.ru/>

Адрес: 198099, г. Санкт-Петербург, ул. Калинина, д. 2, корп. 4, лит. А