

1.3V/1.5V to $V_{CC}-1V$, 2A 1ch Ultra Low Drop Linear Regulators

BD35230HFN BD35231HFN

General Description

BD3523xHFN is an ultra-low-dropout linear chipset regulator that operates from a very low input supply. It offers ideal performance in low input voltage to low output voltage applications. The input-to-output voltage difference is minimized by using a built-in N-Channel power MOSFET with a maximum ON-Resistance of $R_{ON}=150m\Omega(\text{Max})$. By lowering the dropout voltage, the regulator achieves high output current of up to ($I_{OUTMAX}=2.0A$) thereby reducing conversion loss, making it comparable to a switching regulator and its power transistor, choke coil, and rectifier diode constituents. It is a low-cost design and is available in significantly downsized package profiles.

Features

- Internal High-Precision Output Voltage Circuit ($1.0V/1.2V\pm 1\%$)
- Built-in VCC Undervoltage Lockout Circuit ($V_{CC}=3.80V$)
- NRCS (Soft start) Function Reduces the Magnitude of In-rush Current
- Internal N-Channel MOSFET
- Built-in Short Circuit Protection (SCP)
- Built-in Current Limit Circuit (2.0A min)
- Built-in Thermal Shutdown (TSD) Circuit
- Tracking Function

Key Specifications

- IN Input Voltage Range:

| | |
|------------|---------------------|
| BD35230HFN | 1.3V to $V_{CC}-1V$ |
| BD35231HFN | 1.5V to $V_{CC}-1V$ |
- VCC Input Voltage Range: 4.3V to 5.5V
- Output Voltage:

| | |
|------------|--------------|
| BD35230HFN | 1.0V (fixed) |
| BD35231HFN | 1.2V (fixed) |
- Output Current: 2.0A (Max)
- ON-Resistance: 100m Ω (Typ)
- Standby Current: 0 μ A (Typ)
- Operating Temperature Range: -10°C to +100°C

Package

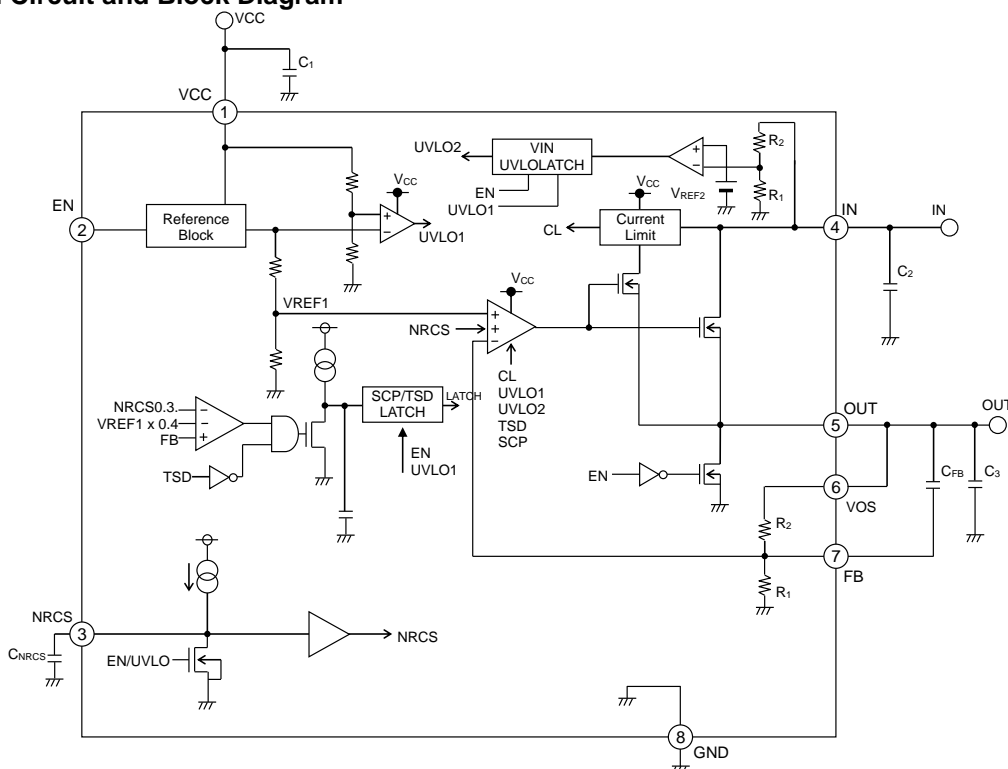
W(Typ) x D(Typ) x H(Max)



Applications

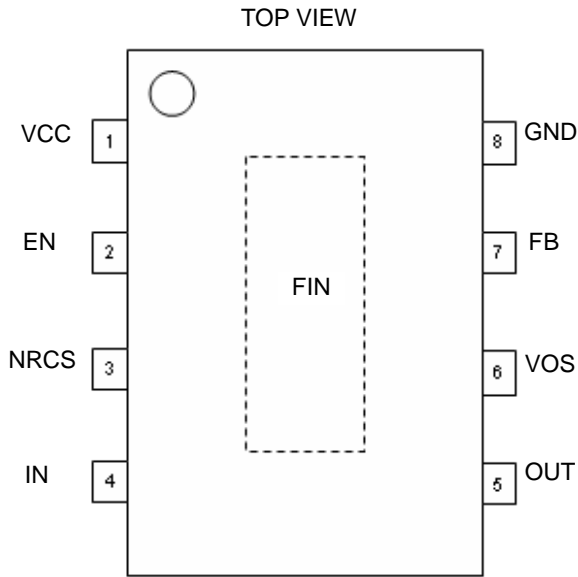
Notebook computers, Desktop computers, LCD-TV, DVD, Digital appliance

Typical Application Circuit and Block Diagram



○Product structure : Silicon monolithic integrated circuit ○This product has no designed protection against radioactive rays

Pin Configuration



Pin Descriptions

| Pin No. | Pin Name | Pin Function |
|---------|----------|--|
| 1 | VCC | Power supply pin |
| 2 | EN | Enable input pin |
| 3 | NRCS | In-rush current protection (NRCS) capacitor connection pin |
| 4 | IN | Input voltage pin |
| 5 | OUT | Output voltage pin |
| 6 | VOS | Output voltage control pin |
| 7 | FB | Reference voltage feedback pin |
| 8 | GND | Ground pin |
| - | FIN | Connected to heatsink and GND |

Description of Blocks

- AMP**
 This is an error amp that compares the reference voltage (0.65V) with FB voltage to drive the output N-Channel FET. Frequency optimization aids in attaining rapid transient response, and to support the use of ceramic capacitors on the output. AMP output ranges from GND to VCC. When EN is OFF, or when UVLO is active, output goes LOW and the output of the N-Channel FET switches to OFF state.
- EN**
 The EN block controls the ON and OFF state of the regulator via the EN logic input pin. During OFF state, circuit voltage stabilizes at 0μA which minimizes the current consumption during standby mode. The FET is switched ON to enable the discharge of the NRCS and OUT, thereby draining the excess charge and preventing the load side of an IC from malfunctioning. Since there is no electrical connection required (e.g. between the VCC pin and the ESD prevention diode), module operation is independent of the input sequence.
- VCCUVLO**
 To prevent malfunctions that can occur during sudden decrease in VCC, the UVLO circuit switches the output to OFF state, and (like the EN block) discharges NRCS and OUT. Once the UVLO threshold voltage (TYP3.80V) is reached, the power-on reset is triggered and output is restored.
- INUVLO**
 When IN voltage exceeds the threshold voltage, INUVLO becomes active. Once active, the status of output voltage remains ON even if IN voltage drops. (When IN voltage drops, SCP engages and output switches OFF.) Unlike EN and VCC, it is active at output startup. INUVLO can be restored either by reconnecting the EN pin or VCC pin.
- CURRENT LIMIT**
 During ON state, the current limit function monitors the output current of the IC against the current limit value. When the output current exceeds this value, this block lowers the output current to protect the load IC. When it overcomes the overcurrent state, output voltage is restored to the normal value. However, when output voltage falls below the SCP startup voltage, the SCP function becomes active and the output switches OFF.
- NRCS (Non Rush Current on Start-up)**
 The soft start function enabled by connecting an external capacitor between the NRCS pin and GND. Output ramp-up can be set for any period up to the time the NRCS pin reaches V_{FB} (0.65V). During startup, the NRCS pin serves as a 20μA (TYP) constant current source to charge the external capacitor. Output start time is calculated by the formula below.

$$T_{NRCS}(typ) = \frac{C_{NRCS} \times V_{FB}}{I_{NRCS}}$$

Description of Blocks - continued

7. TSD (Thermal Shut down)
The shutdown (TSD) circuit is automatically latched OFF when the chip temperature exceeds the threshold temperature after the programmed time period elapses, thus protecting the IC against "thermal runaway" and heat damage. Since the TSD circuit is designed only to shut down the IC in the occurrence of extreme heat, it is important that the T_j (max) parameter should not be exceeded in the thermal design, in order to avoid potential problems with the TSD.
8. IN
The IN line acts as the major current supply line, and is connected to the output N-Channel FET drain. Since there is no electrical connection (such as between the VCC pin and the ESD protection diode) required, IN operates independent of the input sequence. However, since an output N-Channel FET body diode exists between IN and OUT, a IN-OUT electric (diode) connection is present. Therefore, when output is switched ON or OFF, reverse current may flow from IN to OUT.
9. SCP
When output voltage (OUT) drops, the IC assumes that OUT pin is shorted to GND and switches the output voltage OFF. After the GND short has been detected and the programmed delay time has elapsed, the output is latched OFF. SCP is also effective during output startup. SCP condition can be cleared either by reconnecting the EN pin or VCC pin. Delay time is calculated by the formula below.

Absolute Maximum Ratings ($T_a=25^\circ\text{C}$)

| Parameter | Symbol | Limit | Unit |
|------------------------------|------------------|---------------|------|
| Input Voltage 1 | V _{CC} | +6.0 (Note 1) | V |
| Input Voltage 2 | V _{IN} | +6.0 (Note 1) | V |
| Maximum Output Current | I _{OUT} | 2 (Note 1) | A |
| Enable Input Voltage | V _{EN} | -0.3 to +6.0 | V |
| Power Dissipation 1 | Pd1 | 0.63 (Note 2) | W |
| Power Dissipation 2 | Pd2 | 1.35 (Note 3) | W |
| Power Dissipation 3 | Pd3 | 1.75 (Note 4) | W |
| Operating Temperature Range | Topr | -10 to +100 | °C |
| Storage Temperature Range | Tstg | -55 to +125 | °C |
| Maximum Junction Temperature | Tjmax | +150 | °C |

(Note 1) Should not exceed Pd.

(Note 2) Derate by 5.04mW/°C Ta above 25°C (when mounted on a 70mm x 70mm x 1.6mm glass-epoxy board, 1-layer, copper foil area : less than 0.2%)

(Note 3) Derate by 10.8mW/°C Ta above 25°C (when mounted on a 70mm x 70mm x 1.6mm glass-epoxy board, 1-layer, copper foil area : less than 7.0%)

(Note 4) Derate by 14.0mW/°C Ta above 25°C (when mounted on a 70mm x 70mm x 1.6mm glass-epoxy board, 1-layer, copper foil area : less than 65.0%)

Caution: Operating the IC over the absolute maximum ratings may damage the IC. The damage can either be a short circuit between pins or an open circuit between pins and the internal circuitry. Therefore, it is important to consider circuit protection measures, such as adding a fuse, in case the IC is operated over the absolute maximum ratings.

Recommended Operating Conditions ($T_a=25^\circ\text{C}$)

| Parameter | Symbol | BD35230HFN | | BD35231HFN | | Unit |
|------------------------------|-------------------|-------------|-----------------------------|-------------|-----------------------------|------|
| | | Min | Max | Min | Max | |
| Input Voltage 1 | V _{CC} | 4.3 | 5.5 | 4.3 | 5.5 | V |
| Input Voltage 2 | V _{IN} | 1.3 | V _{CC} -1 (Note 5) | 1.5 | V _{CC} -1 (Note 5) | V |
| Output Voltage Setting Range | V _{OUT} | 1.0 (fixed) | | 1.2 (fixed) | | V |
| Enable Input Voltage | V _{EN} | -0.3 | +5.5 | -0.3 | +5.5 | V |
| NRCS Capacity | C _{NRCS} | 0.001 | 1 | 0.001 | 1 | μF |

(Note 5) V_{CC} and IN do not have to be implemented in the order listed.

Electrical Characteristics

BD35230HFN (Unless otherwise specified, Ta=25°C, V_{CC}=5V, V_{EN}=3V, V_{IN}=1.7V)

| Parameter | Symbol | Limit | | | Unit | Conditions |
|---|---------------------|------------------------|------------------------|------------------------|------|--|
| | | Min | Typ | Max | | |
| Bias Current | I _{CC} | - | 0.7 | 1.2 | mA | |
| VCC Shutdown Mode Current | I _{ST} | - | 0 | 10 | μA | V _{EN} =0V |
| Output Current | I _{OUT} | 2.0 | - | - | A | |
| Feedback Voltage 1 | V _{VOS1} | 0.990 | 1.000 | 1.010 | V | |
| Feedback Voltage 2 | V _{VOS2} | 0.980 | 1.000 | 1.020 | V | T _J =-10°C to +100°C |
| Line Regulation 1 | Reg.I1 | - | 0.1 | 0.5 | %/V | V _{CC} =4.3V to 5.5V |
| Line Regulation 2 | Reg.I2 | - | 0.1 | 0.5 | %/V | V _{IN} =1.3V to 3.3V |
| Load Regulation | Reg.L | - | 0.5 | 10 | mV | I _{OUT} =0A to 2A |
| Output ON-Resistance | R _{ON} | - | 100 | 150 | mΩ | I _{OUT} =2A, V _{IN} =1.0V, T _J =-10°C to +100°C |
| Standby Discharge Current | I _{DN} | 1 | - | - | mA | V _{EN} =0V, V _{OUT} =1V |
| [ENABLE] | | | | | | |
| Enable Pin Input Voltage High | V _{ENHIGH} | 2 | - | - | V | |
| Enable Pin Input Voltage Low | V _{ENLOW} | 0 | - | 0.8 | V | |
| Enable Input Bias Current | I _{EN} | - | 7 | 10 | μA | V _{EN} =3V |
| [NRCS] | | | | | | |
| NRCS Charge Current | I _{NRCS} | 12 | 20 | 28 | μA | |
| NRCS Standby Voltage | V _{STB} | - | 0 | 50 | mV | V _{EN} =0V |
| [UVLO] | | | | | | |
| VCC Undervoltage Lockout Threshold Voltage | V _{CCUVLO} | 3.5 | 3.8 | 4.1 | V | V _{CC} : Sweep-up |
| VCC Undervoltage Lockout Hysteresis Voltage | V _{CCHYS} | 100 | 160 | 220 | mV | V _{CC} : Sweep-down |
| IN Undervoltage Lockout Threshold Voltage | V _{INUVLO} | 0.60 | 0.70 | 0.80 | V | IN: Sweep-up |
| [SCP] | | | | | | |
| SCP Start-up Voltage | V _{OUTSCP} | V _{OUT} x 0.3 | V _{OUT} x 0.4 | V _{OUT} x 0.5 | V | |
| SCP Threshold Voltage | t _{SCP} | 45 | 90 | 200 | μsec | |

Electrical Characteristics – continued

BD35231HFN (Unless otherwise specified, $T_a=25^{\circ}\text{C}$, $V_{CC}=5\text{V}$, $V_{EN}=3\text{V}$, $V_{IN}=1.7\text{V}$)

| Parameter | Symbol | Limit | | | Unit | Conditions |
|---|--------------|----------------------|----------------------|----------------------|------------------|---|
| | | Min | Typ | Max | | |
| Bias Current | I_{CC} | - | 0.7 | 1.2 | mA | |
| VCC Shutdown Mode Current | I_{ST} | - | 0 | 10 | μA | $V_{EN}=0\text{V}$ |
| Output Current | I_{OUT} | 2.0 | - | - | A | |
| Feedback Voltage 1 | V_{VOS1} | 1.188 | 1.200 | 1.212 | V | |
| Feedback Voltage 2 | V_{VOS2} | 1.176 | 1.200 | 1.224 | V | $T_j=-10^{\circ}\text{C}$ to $+100^{\circ}\text{C}$ |
| Line Regulation 1 | Reg.I1 | - | 0.1 | 0.5 | %/V | $V_{CC}=4.3\text{V}$ to 5.5V |
| Line Regulation 2 | Reg.I2 | - | 0.1 | 0.5 | %/V | $V_{IN}=1.5\text{V}$ to 3.3V |
| Load Regulation | Reg.L | - | 0.5 | 10 | mV | $I_{OUT}=0\text{A}$ to 2A |
| Output ON-Resistance | R_{ON} | - | 100 | 150 | $\text{m}\Omega$ | $I_{OUT}=2\text{A}$, $V_{IN}=1.2\text{V}$, $T_j=-10^{\circ}\text{C}$ to $+100^{\circ}\text{C}$ |
| Standby Discharge Current | I_{DEN} | 1 | - | - | mA | $V_{EN}=0\text{V}$, $V_{OUT}=1\text{V}$ |
| [ENABLE] | | | | | | |
| Enable Pin Input Voltage High | V_{ENHIGH} | 2 | - | - | V | |
| Enable Pin Input Voltage Low | V_{ENLOW} | 0 | - | 0.8 | V | |
| Enable Input Bias Current | I_{EN} | - | 7 | 10 | μA | $V_{EN}=3\text{V}$ |
| [NRCS] | | | | | | |
| NRCS Charge Current | I_{NRCS} | 12 | 20 | 28 | μA | |
| NRCS Standby Voltage | V_{STB} | - | 0 | 50 | mV | $V_{EN}=0\text{V}$ |
| [UVLO] | | | | | | |
| VCC Undervoltage Lockout Threshold Voltage | V_{CCUVLO} | 3.5 | 3.8 | 4.1 | V | VCC: Sweep-up |
| VCC Undervoltage Lockout Hysteresis Voltage | V_{CCHYS} | 100 | 160 | 220 | mV | VCC: Sweep-down |
| IN Undervoltage Lockout Threshold Voltage | V_{INUVLO} | 0.72 | 0.84 | 0.96 | V | IN: Sweep-up |
| [SCP] | | | | | | |
| SCP Start up Voltage | V_{OUTSCP} | $V_{OUT} \times 0.3$ | $V_{OUT} \times 0.4$ | $V_{OUT} \times 0.5$ | V | |
| SCP Threshold Voltage | t_{SCP} | 45 | 90 | 200 | μsec | |

Typical Waveforms

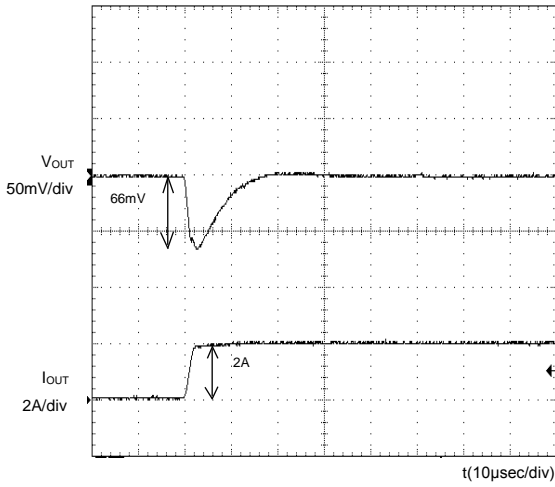


Figure 1. Transient Response
(0A to 2A)
 $C_{OUT}=100\mu F$
 $C_{FB}=1000pF$

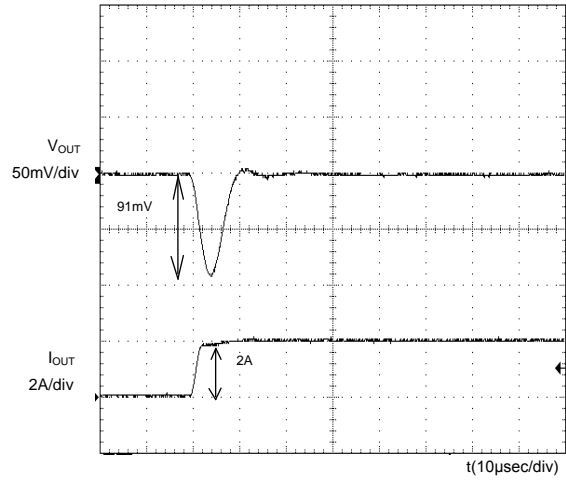


Figure 2. Transient Response
(0A to 2A)
 $C_{OUT}=47\mu F$
 $C_{FB}=1000pF$

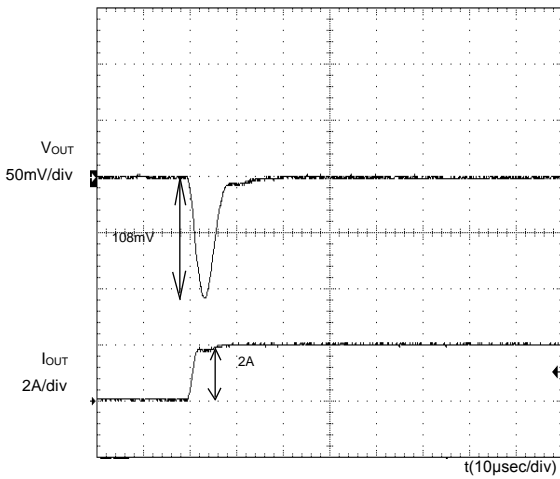


Figure 3. Transient Response
(0A to 2A)
 $C_{OUT}=22\mu F$
 $C_{FB}=1000pF$

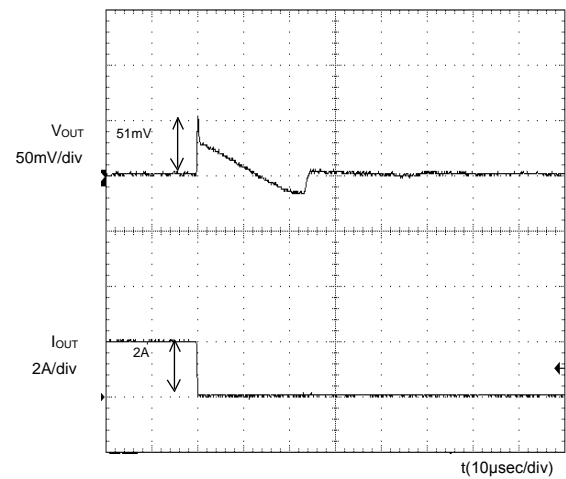


Figure 4. Transient Response
(2A to 0A)
 $C_{OUT}=100\mu F$
 $C_{FB}=1000pF$

Typical Waveforms – continued

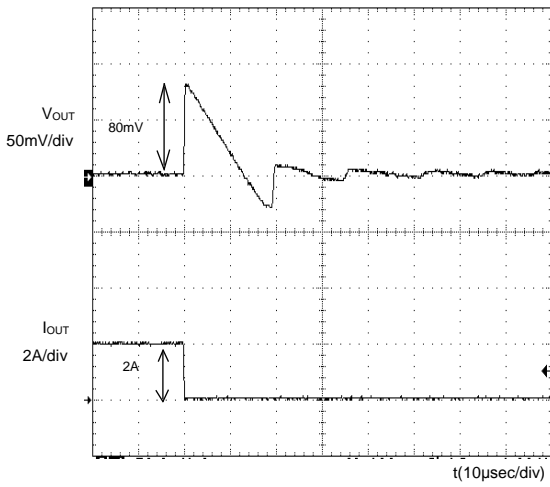


Figure 5. Transient Response
(2A to 0A)
 $C_{OUT}=47\mu F$
 $C_{FB}=1000pF$

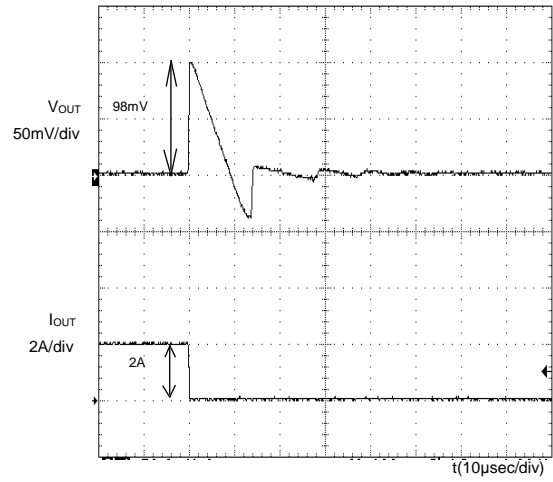


Figure 6. Transient Response
(2A to 0A)
 $C_{OUT}=22\mu F$
 $C_{FB}=1000pF$

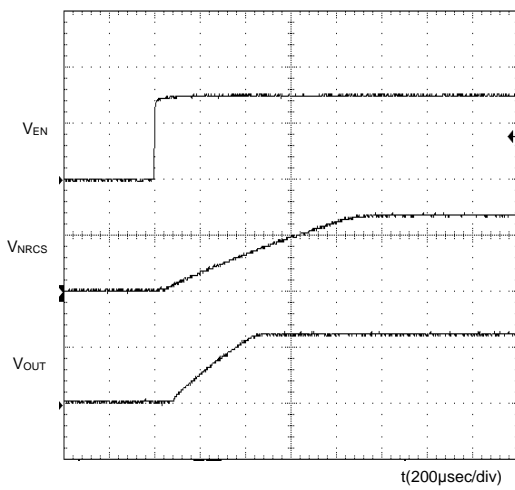


Figure 7. Waveform at Output Start

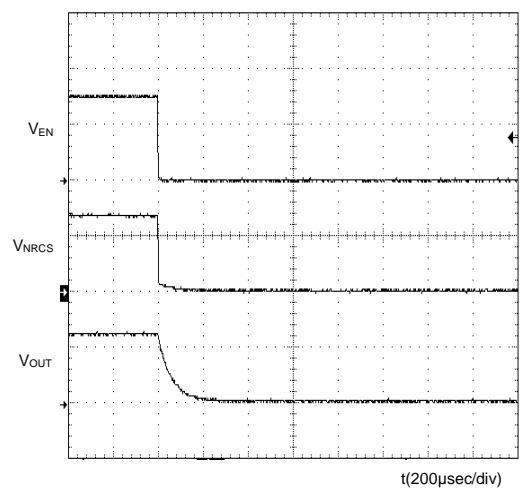


Figure 8. Waveform at Output OFF

Typical Waveforms – continued

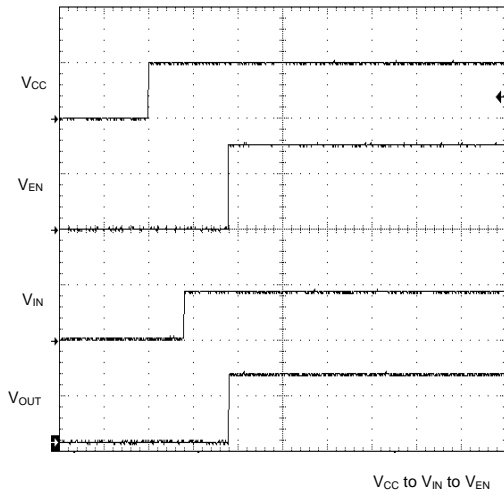


Figure 9. Input Sequence

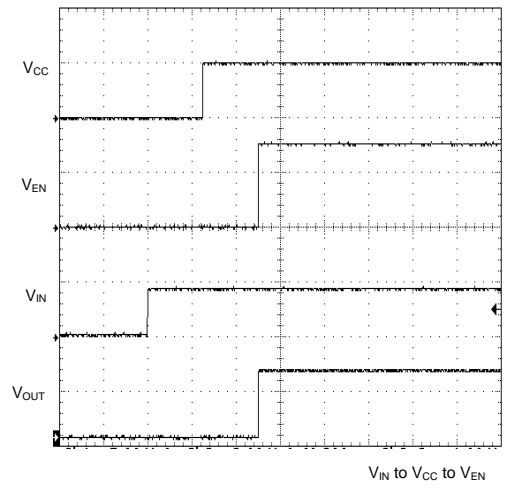


Figure 10. Input Sequence

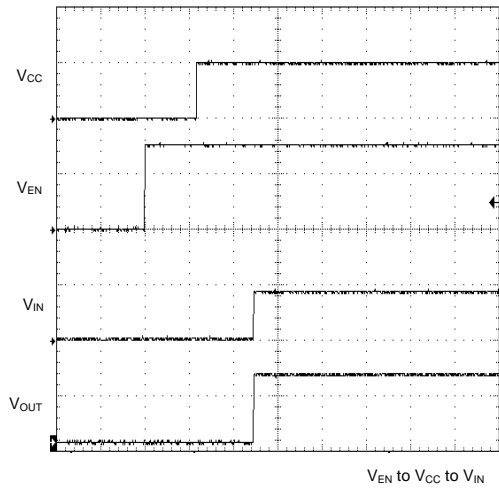


Figure 11. Input Sequence

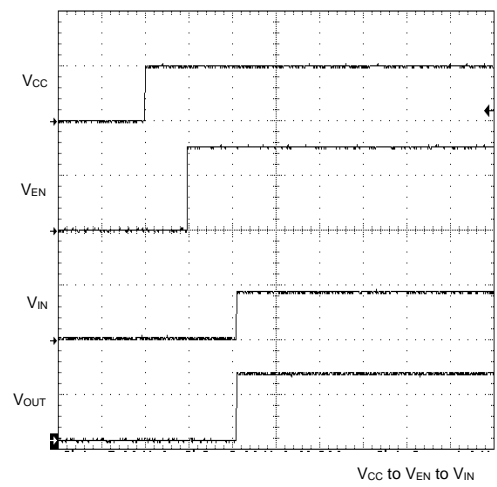


Figure 12. Input Sequence

Typical Waveforms – continued

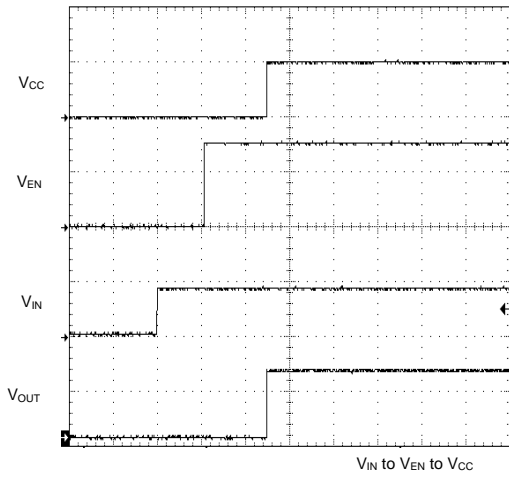


Figure 13. Input Sequence

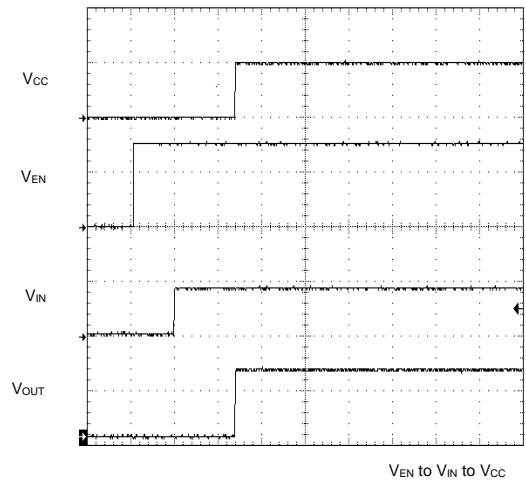


Figure 14. Input Sequence

Typical Performance Curve

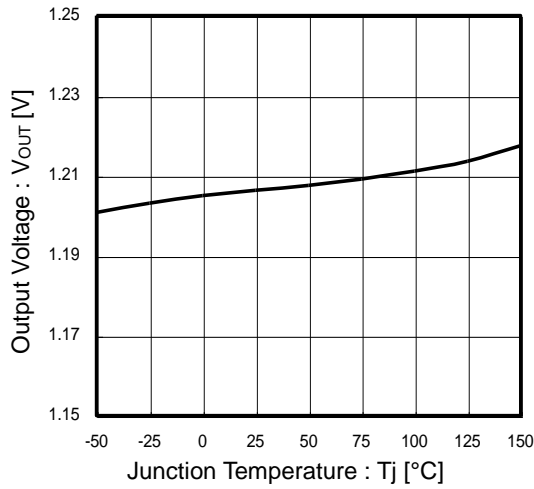


Figure 15. Output Voltage vs Junction Temperature (I_{OUT}=0mA)

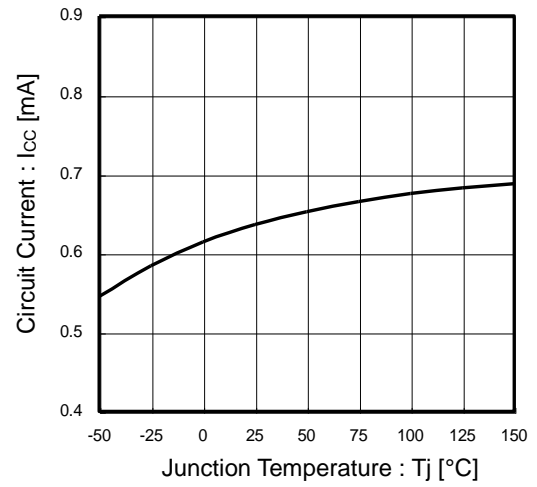


Figure 16. Circuit Current vs Junction Temperature

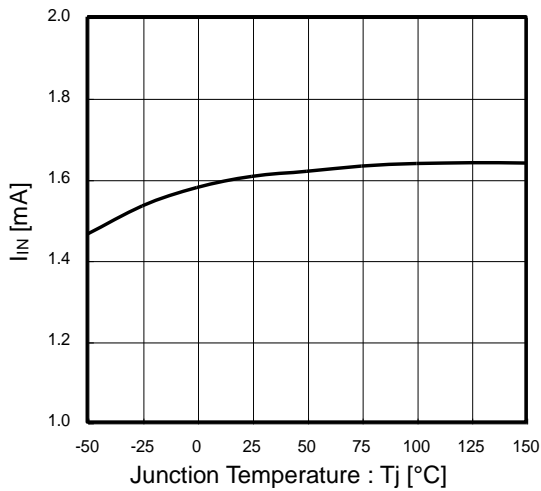


Figure 17. I_{IN} vs Junction Temperature

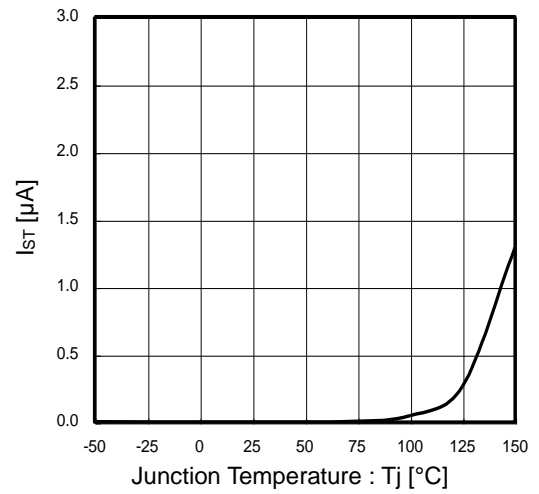


Figure 18. I_{ST} vs Junction Temperature

Typical Performance Curve – continued

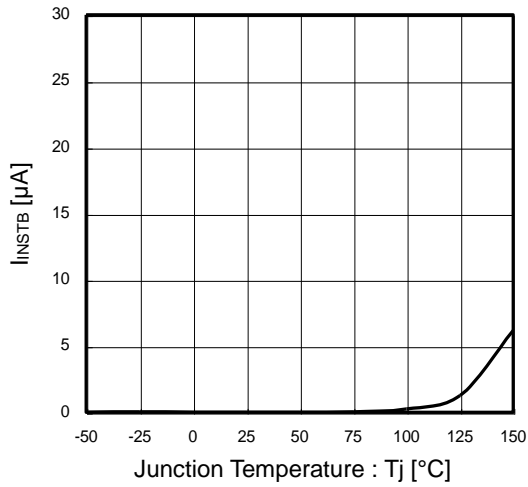


Figure 19. I_{INSTB} vs Junction Temperature

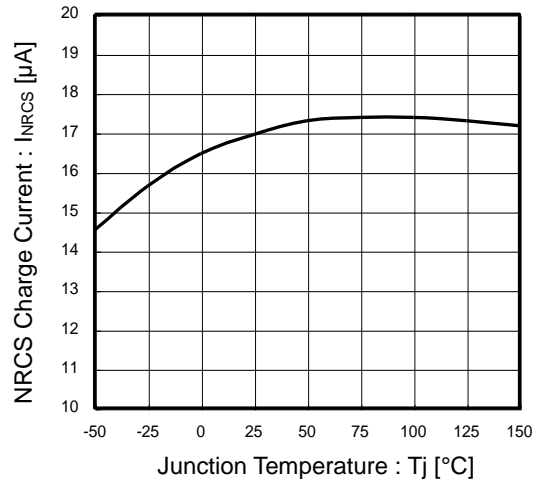


Figure 20. NRCS Charge Current vs Junction Temperature

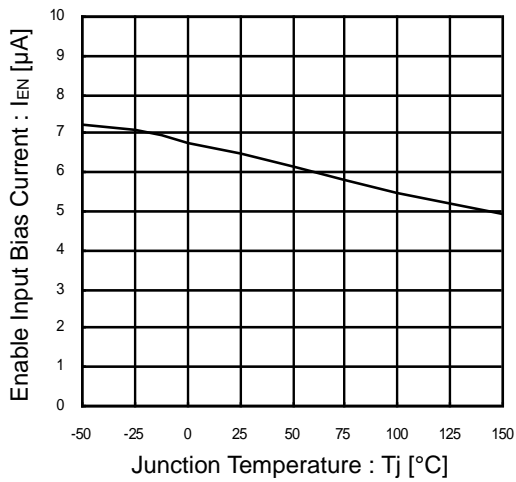


Figure 21. Enable Input Bias Current vs Junction Temperature

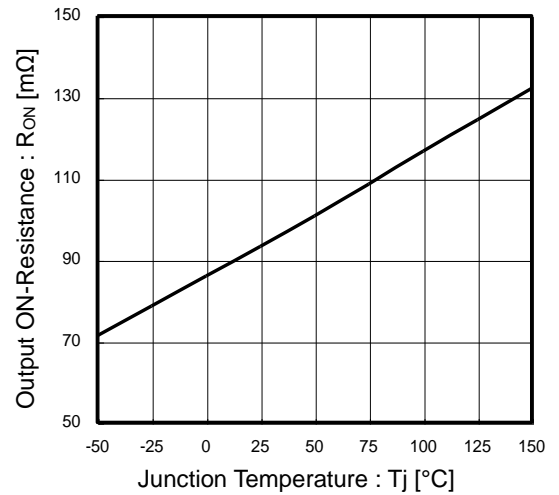


Figure 22. Output ON-Resistance vs Junction Temperature (V_{CC}=5V/V_{OUT}=1.2V)

Typical Performance Curve – continued

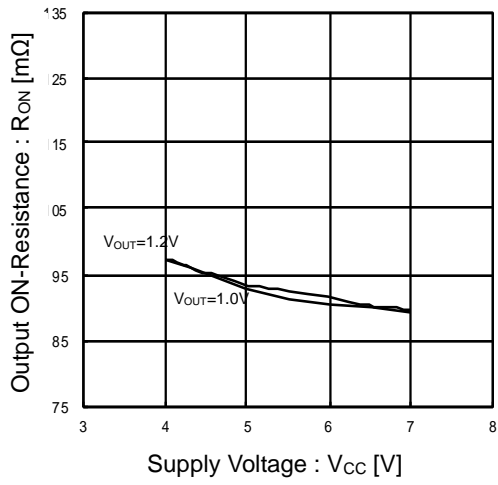
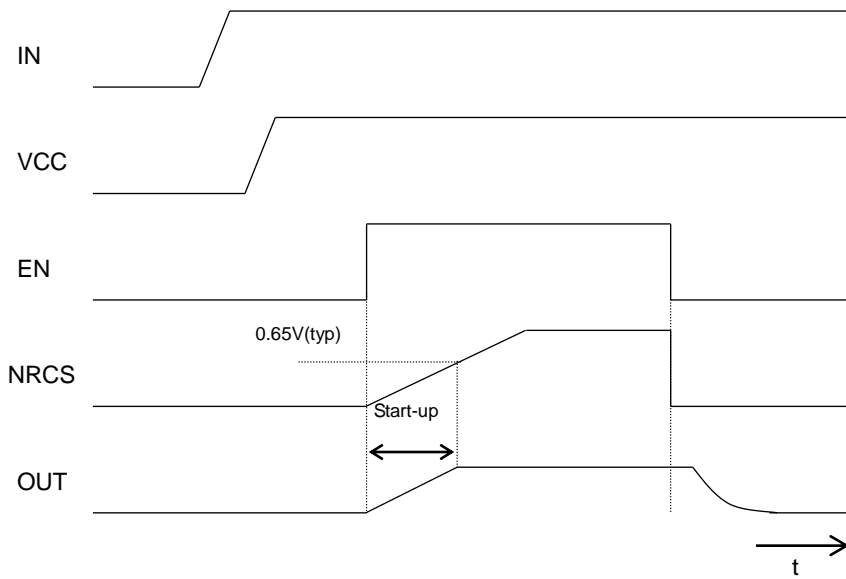


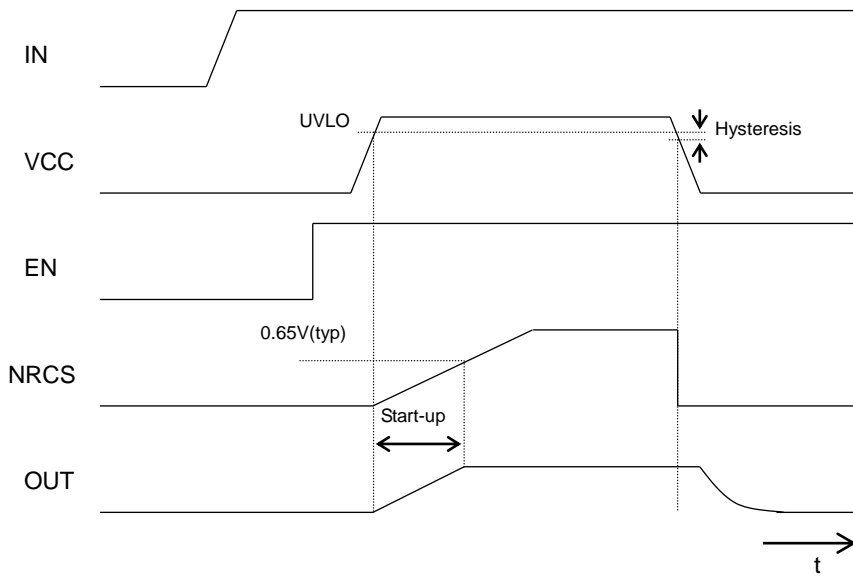
Figure 23. Output ON-Resistance vs V_{CC}

Timing Chart

EN ON/OFF

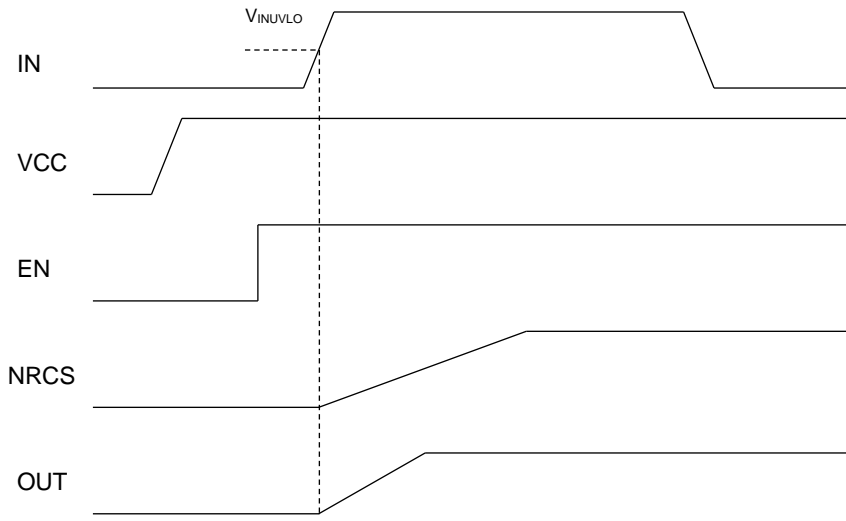


VCC ON/OFF

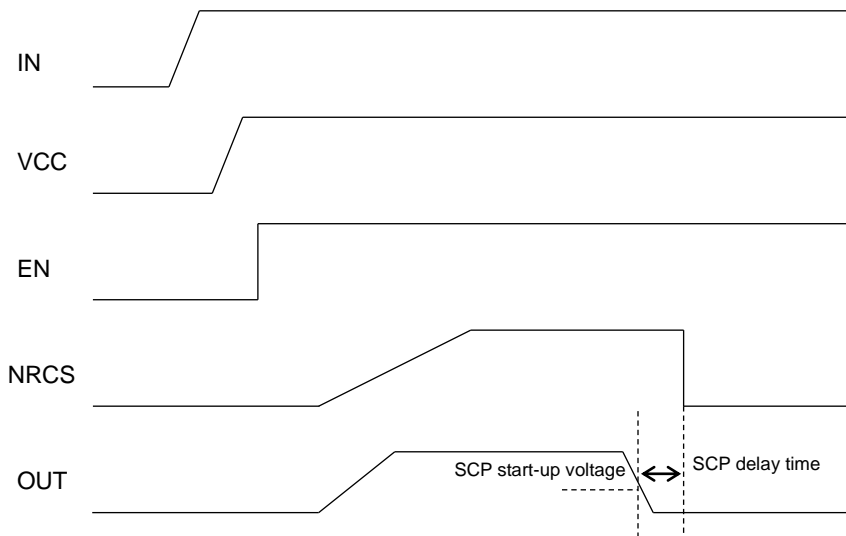


Timing Chart - continued

IN ON



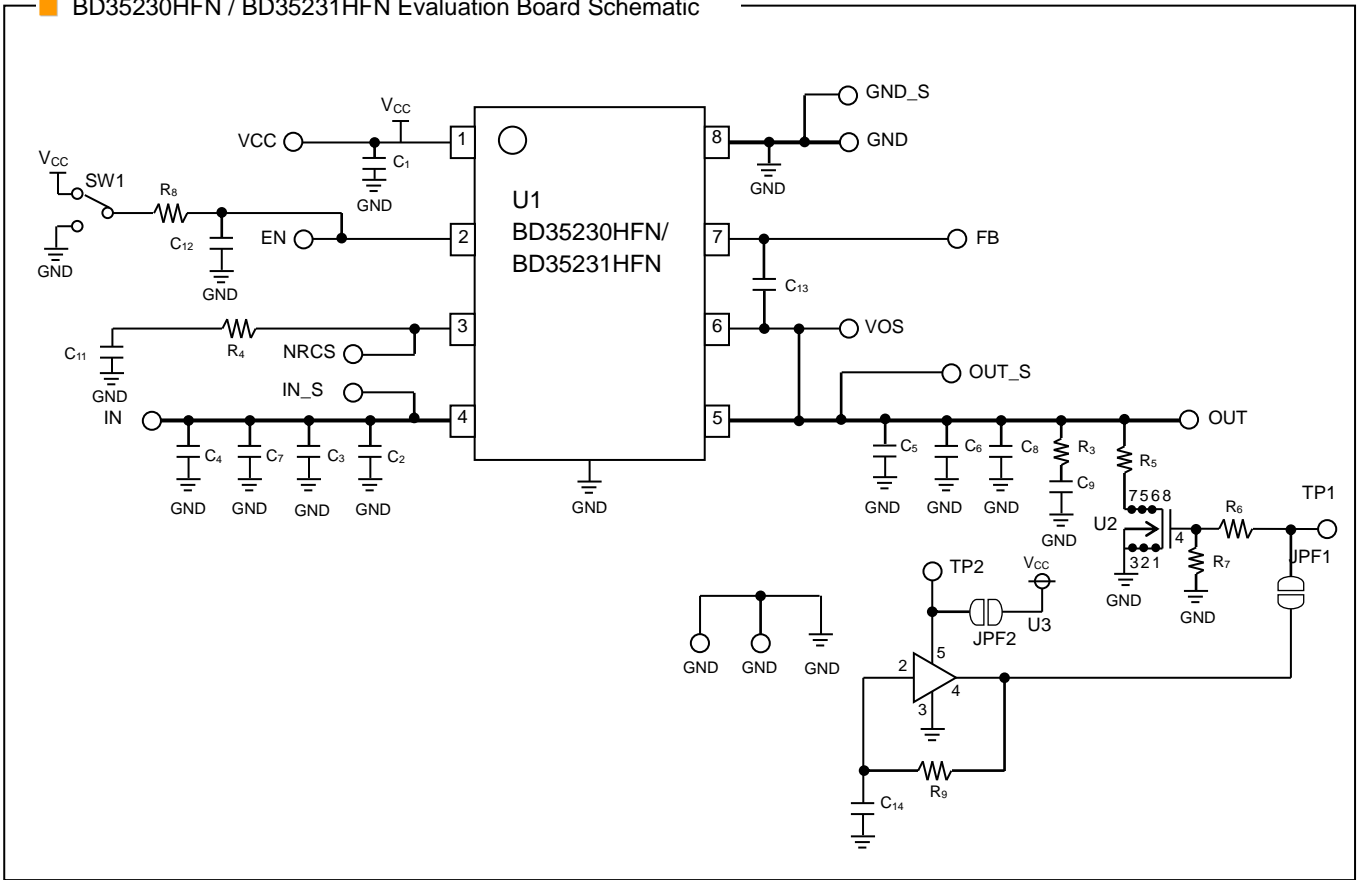
SCP OFF



Application Information

1. Evaluation Board

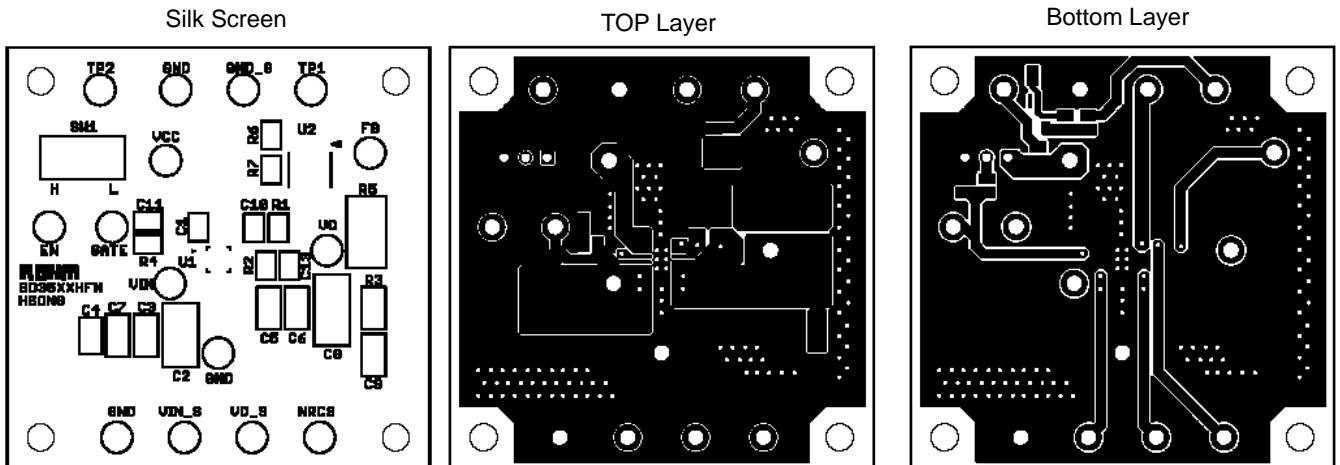
BD35230HFN / BD35231HFN Evaluation Board Schematic



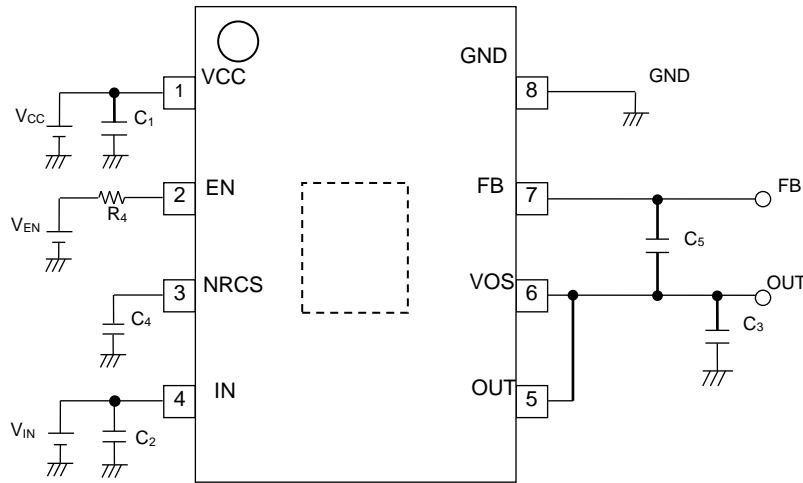
BD35230HFN / BD35231HFN Evaluation Board List

| Component | Rating | Manufacturer | Product Name | Component | Rating | Manufacturer | Product Name |
|-----------|--------|--------------|-----------------|-----------|--------|--------------|-----------------|
| U1 | - | ROHM | BD3523xHFN | C11 | 0.01μF | MURATA | GRM188B11H103KD |
| C1 | 1μF | MURATA | GRM188B11A105KD | C13 | 1000pF | MURATA | GRM188B11H102KD |
| C3 | 10μF | KYOCERA | CM32X5R106M10A | R4 | 0Ω | - | Jumper |
| C5 | 22μF | KYOCERA | CM32X5R226M10A | R8 | 0Ω | - | Jumper |

BD35230HFN / BD35231HFN Evaluation Board Layout (2nd layer and 3rd layer are GND line.)



2. Recommended Circuit Example



| Component | Recommended Value | Programming Notes and Precautions |
|--------------------------------|-------------------|--|
| C ₃ | 22μF | To assure output voltage stability, ensure that the output capacitors are connected between OUT pin and GND. Output capacitors play a role in loop gain phase compensation and in mitigating output fluctuation during rapid changes in load level. Insufficient capacitance may cause oscillation, while high equivalent series resistance (ESR) will exacerbate output voltage fluctuation under rapid load change conditions. While a 22μF ceramic capacitor is recommended, actual stability is highly dependent on temperature and load conditions. Also, note that connecting different types of capacitors in series may result in insufficient total phase compensation, thus causing oscillation. Please confirm operation across a variety of temperature and load conditions. |
| C ₁ /C ₂ | 1μF/10μF | Input capacitors reduce the output impedance of the voltage supply source connected to the input pins (VCC, IN). If the impedance of this power supply were to increase, input voltage (V _{CC} , V _{IN}) could become unstable, leading to oscillation or lowered ripple rejection function. While a low-ESR 1μF/10μF capacitor with minimal susceptibility to temperature is recommended, stability is highly dependent on the input power supply characteristics and the substrate wiring pattern. In light of this information, please confirm operation across a variety of temperature and load conditions. |
| C ₄ | 0.01μF | The Non-Rush Current on Startup (NRCS) function is built into the IC to prevent rush current from going through the load (IN to OUT) and affects output capacitors at power supply start-up. Constant current comes from the NRCS pin when EN is HIGH or when the UVLO function is deactivated. The temporary reference voltage is proportional to time, due to the current charge of the NRCS pin capacitor, and output voltage start-up is proportional to this reference voltage. Capacitors with low susceptibility to temperature are recommended, ensure a stable soft-start time. |
| C ₅ | 1000pF | This component is employed when the C ₃ capacitor causes, or may cause, oscillation. It provides more precise internal phase correction. |

3. Power Dissipation

In thermal design, consider the temperature range wherein the IC is guaranteed to operate and apply appropriate margins. The temperature conditions that need to be considered are listed below:

- (1) Ambient temperature T_a can be no higher than 100°C.
- (2) Chip junction temperature (T_j) can be no higher than 150°C.

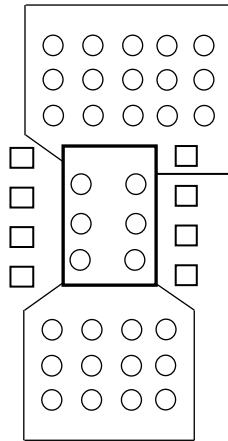
Chip junction temperature can be determined as follows:

- ① Calculation based on ambient temperature (T_a)
 $T_j = T_a + \theta_j - a \times W$

<Reference values>

| | | |
|------------------------|---|---|
| $\theta_j - a$: HSON8 | 198.4°C/W | 1-layer substrate (copper foil area : below 0.2%) |
| | 92.4°C/W | 1-layer substrate (copper foil area : 7%) |
| | 71.4°C/W | 2-layer substrate (copper foil area : 65%) |
| | Substrate size: 70 x 70 x 1.6mm ³ (substrate with thermal via) | |

It is recommended to layout the VIA for heat radiation in the GND pattern of reverse (of IC) when there is the GND pattern in the inner layer (in using multilayer substrate). This package is so small (size: 2.9mm x 3.0mm) that it is not available to layout the VIA in the bottom of IC. Spreading the pattern and increasing the number of VIA as shown in the figure below, enable to achieve superior heat radiation characteristic. (This figure is an image only. It is recommended that the VIA size and number are designed suitable for the actual situation.)



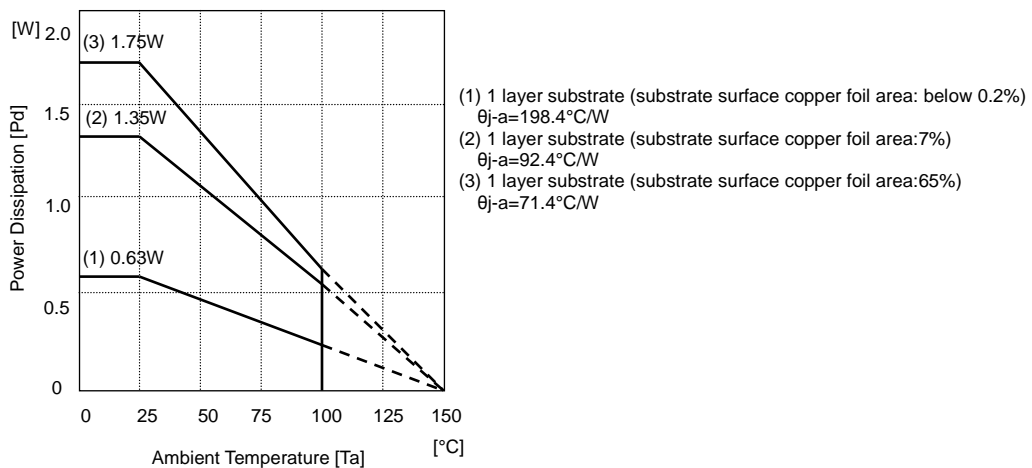
Most of the heat loss in BD3523xHFN occurs at the output N-Channel FET. Power loss is determined by the total $V_{IN} - V_{OUT}$ voltage and output current. Be sure to confirm the system input and output voltage and the output current conditions in relation to the heat dissipation characteristics of the IN and OUT in the design. Bearing in mind that heat dissipation may vary substantially depending on the substrate employed (due to the power package incorporated in the BD3523xHFN) make sure to factor in conditions such as substrate size into the thermal design.

$$\text{Power consumption (W)} = \{ \text{Input voltage (V}_{IN}) - \text{Output voltage (V}_{OUT}) \} \times I_{OUT(Ave)}$$

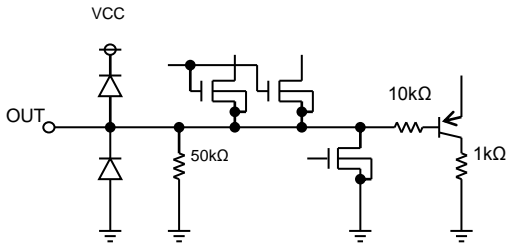
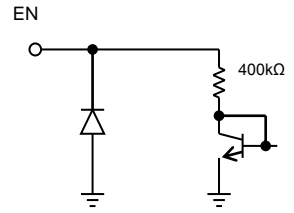
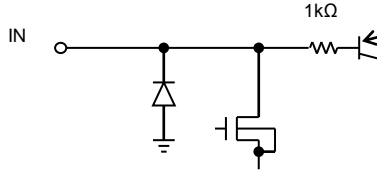
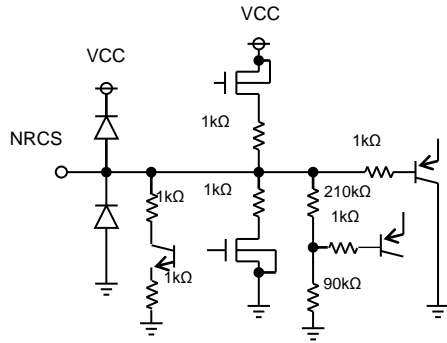
Example) Where $V_{IN}=1.7V$, $V_{OUT}=1.2V$, $I_{OUT(Ave)} = 2A$,

$$\begin{aligned} \text{Power consumption (W)} &= \{1.7(V) - 1.2(V)\} \times 2.0(A) \\ &= 1.0(W) \end{aligned}$$

©HSON8

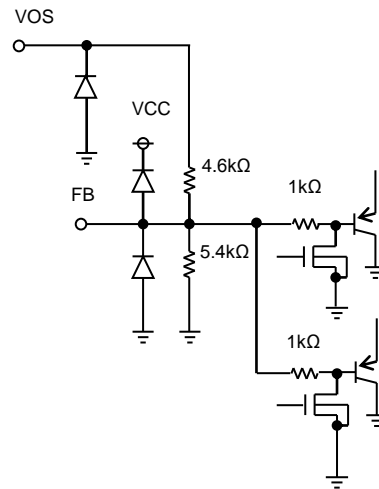
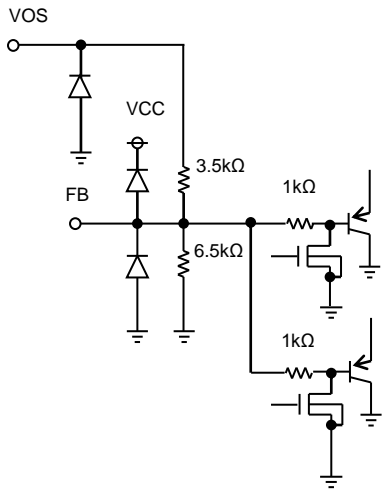


I/O Equivalent Circuits



BD35230HFN

BD35231HFN



Operational Notes

1. Reverse Connection of Power Supply

Connecting the power supply in reverse polarity can damage the IC. Take precautions against reverse polarity when connecting the power supply, such as mounting an external diode between the power supply and the IC's power supply pins.

2. Power Supply Lines

Design the PCB layout pattern to provide low impedance supply lines. Separate the ground and supply lines of the digital and analog blocks to prevent noise in the ground and supply lines of the digital block from affecting the analog block. Furthermore, connect a capacitor to ground at all power supply pins. Consider the effect of temperature and aging on the capacitance value when using electrolytic capacitors.

3. Ground Voltage

Ensure that no pins are at a voltage below that of the ground pin at any time, even during transient condition.

4. Ground Wiring Pattern

When using both small-signal and large-current ground traces, the two ground traces should be routed separately but connected to a single ground at the reference point of the application board to avoid fluctuations in the small-signal ground caused by large currents. Also ensure that the ground traces of external components do not cause variations on the ground voltage. The ground lines must be as short and thick as possible to reduce line impedance.

5. Thermal Consideration

Should by any chance the power dissipation rating be exceeded the rise in temperature of the chip may result in deterioration of the properties of the chip. In case of exceeding this absolute maximum rating, increase the board size and copper area to prevent exceeding the Pd rating.

6. Recommended Operating Conditions

These conditions represent a range within which the expected characteristics of the IC can be approximately obtained. The electrical characteristics are guaranteed under the conditions of each parameter.

7. Inrush Current

When power is first supplied to the IC, it is possible that the internal logic may be unstable and inrush current may flow instantaneously due to the internal powering sequence and delays, especially if the IC has more than one power supply. Therefore, give special consideration to power coupling capacitance, power wiring, width of ground wiring, and routing of connections.

8. Operation Under Strong Electromagnetic Field

Operating the IC in the presence of a strong electromagnetic field may cause the IC to malfunction.

9. Testing on Application Boards

When testing the IC on an application board, connecting a capacitor directly to a low-impedance output pin may subject the IC to stress. Always discharge capacitors completely after each process or step. The IC's power supply should always be turned off completely before connecting or removing it from the test setup during the inspection process. To prevent damage from static discharge, ground the IC during assembly and use similar precautions during transport and storage.

10. Inter-pin Short and Mounting Errors

Ensure that the direction and position are correct when mounting the IC on the PCB. Incorrect mounting may result in damaging the IC. Avoid nearby pins being shorted to each other especially to ground, power supply and output pin. Inter-pin shorts could be due to many reasons such as metal particles, water droplets (in very humid environment) and unintentional solder bridge deposited in between pins during assembly to name a few.

11. Unused Input Pins

Input pins of an IC are often connected to the gate of a MOS transistor. The gate has extremely high impedance and extremely low capacitance. If left unconnected, the electric field from the outside can easily charge it. The small charge acquired in this way is enough to produce a significant effect on the conduction through the transistor and cause unexpected operation of the IC. So unless otherwise specified, unused input pins should be connected to the power supply or ground line.

Operational Notes – continued

12. Regarding the Input Pin of the IC

This monolithic IC contains P+ isolation and P substrate layers between adjacent elements in order to keep them isolated. P-N junctions are formed at the intersection of the P layers with the N layers of other elements, creating a parasitic diode or transistor. For example (refer to figure below):

When GND > Pin A and GND > Pin B, the P-N junction operates as a parasitic diode.
 When GND > Pin B, the P-N junction operates as a parasitic transistor.

Parasitic diodes inevitably occur in the structure of the IC. The operation of parasitic diodes can result in mutual interference among circuits, operational faults, or physical damage. Therefore, conditions that cause these diodes to operate, such as applying a voltage lower than the GND voltage to an input pin (and thus to the P substrate) should be avoided.

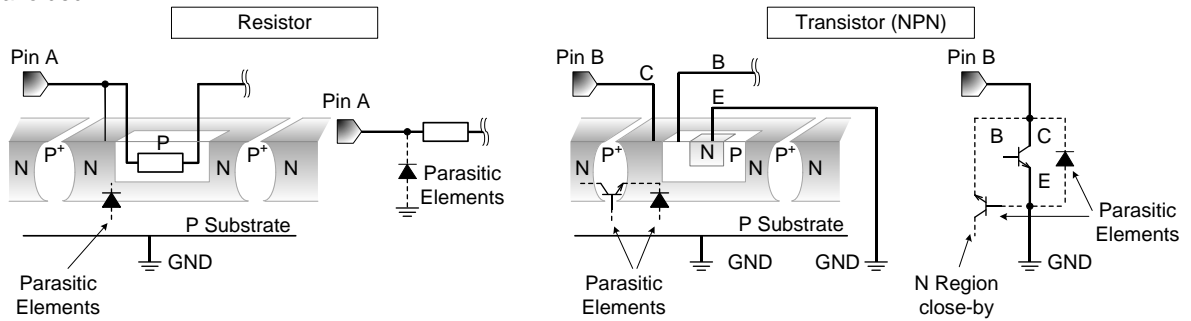


Figure 24. Example of monolithic IC structure

13. Area of Safe Operation (ASO)

Operate the IC such that the output voltage, output current, and power dissipation are all within the Area of Safe Operation (ASO).

14. Thermal Shutdown Circuit(TSD)

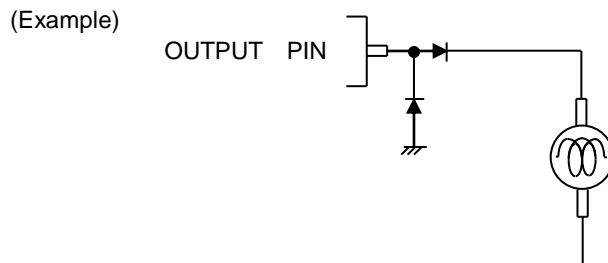
This IC has a built-in thermal shutdown circuit that prevents heat damage to the IC. Normal operation should always be within the IC's power dissipation rating. If however the rating is exceeded for a continued period, the junction temperature (Tj) will rise which will activate the TSD circuit that will turn OFF all output pins. The IC should be powered down and turned ON again to resume normal operation because the TSD circuit keeps the outputs at the OFF state even if the Tj falls below the TSD threshold.

Note that the TSD circuit operates in a situation that exceeds the absolute maximum ratings and therefore, under no circumstances, should the TSD circuit be used in a set design or for any purpose other than protecting the IC from heat damage.

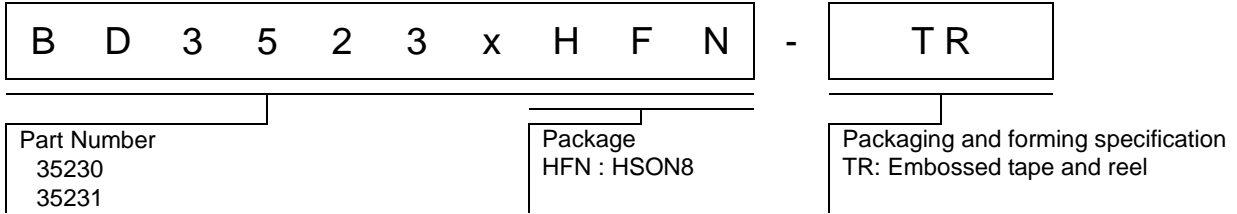
| | TSD on temperature [°C] (typ) |
|-------------------------|-------------------------------|
| BD35230HFN / BD35231HFN | 175 |

15. Output Pin

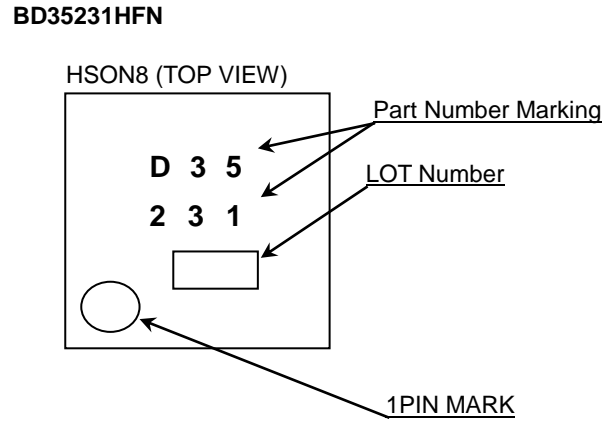
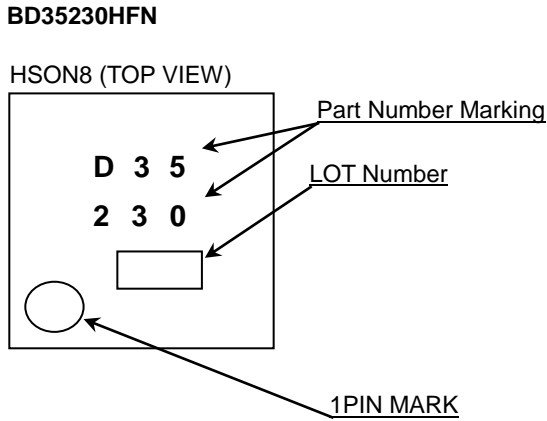
Design PCB layout pattern to provide low impedance GND and supply lines. To obtain a low noise ground and supply line, separate the ground section and supply lines of the digital and analog blocks. Furthermore, for all power supply terminals to ICs, connect a capacitor between the power supply and the GND terminal. When applying electrolytic capacitors in the circuit, not that capacitance characteristic values are reduced at low temperatures.



Ordering Information

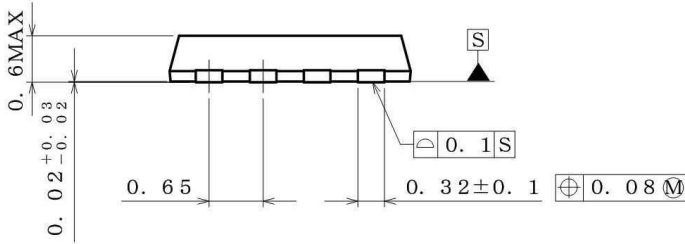
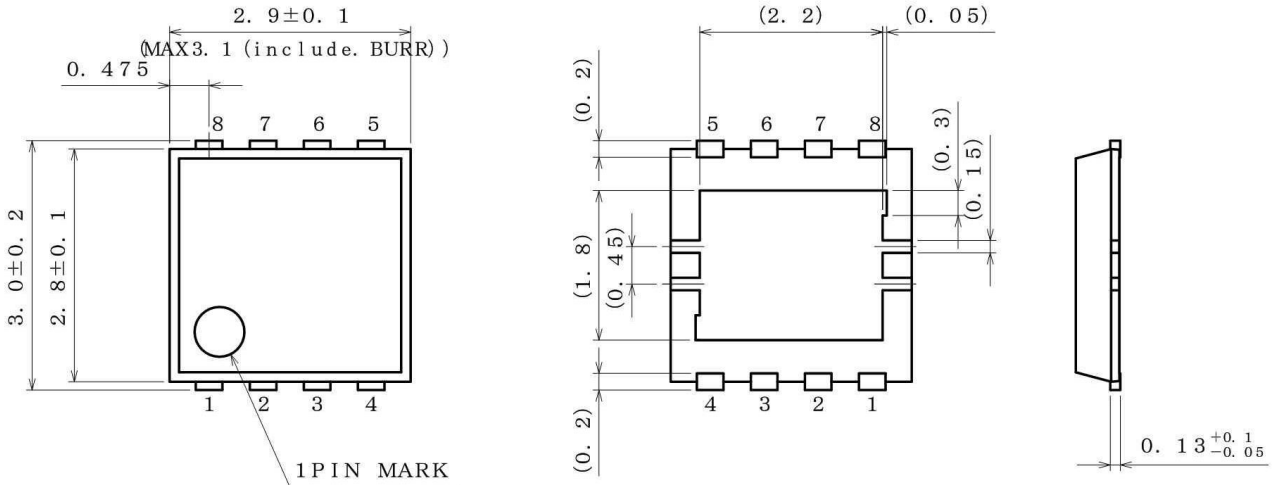


Marking Diagram

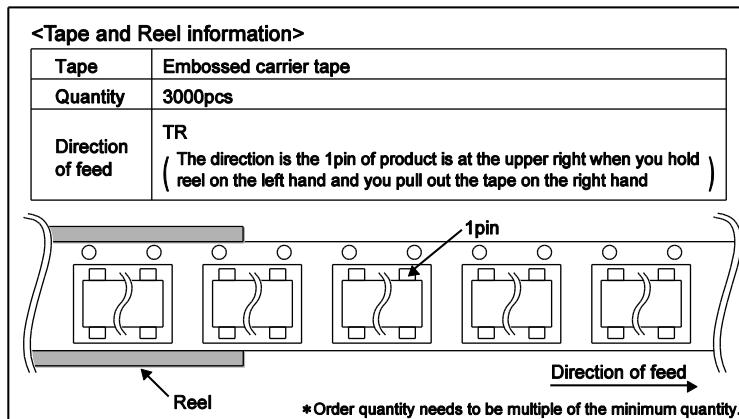


Physical Dimension, Tape and Reel Information

| | |
|--------------|------|
| Package Name | HSO8 |
|--------------|------|



(UNIT : mm)
 PKG : HSO8
 Drawing No. EX163-5002



Revision History

| Date | Revision | Changes |
|-------------|----------|-------------|
| 02.Nov.2015 | 001 | New Release |

Notice

Precaution on using ROHM Products

- Our Products are designed and manufactured for application in ordinary electronic equipments (such as AV equipment, OA equipment, telecommunication equipment, home electronic appliances, amusement equipment, etc.). If you intend to use our Products in devices requiring extremely high reliability (such as medical equipment ^(Note 1), transport equipment, traffic equipment, aircraft/spacecraft, nuclear power controllers, fuel controllers, car equipment including car accessories, safety devices, etc.) and whose malfunction or failure may cause loss of human life, bodily injury or serious damage to property ("Specific Applications"), please consult with the ROHM sales representative in advance. Unless otherwise agreed in writing by ROHM in advance, ROHM shall not be in any way responsible or liable for any damages, expenses or losses incurred by you or third parties arising from the use of any ROHM's Products for Specific Applications.

(Note1) Medical Equipment Classification of the Specific Applications

| JAPAN | USA | EU | CHINA |
|-----------|-----------|------------|-----------|
| CLASS III | CLASS III | CLASS II b | CLASS III |
| CLASS IV | | CLASS III | |

- ROHM designs and manufactures its Products subject to strict quality control system. However, semiconductor products can fail or malfunction at a certain rate. Please be sure to implement, at your own responsibilities, adequate safety measures including but not limited to fail-safe design against the physical injury, damage to any property, which a failure or malfunction of our Products may cause. The following are examples of safety measures:
 - Installation of protection circuits or other protective devices to improve system safety
 - Installation of redundant circuits to reduce the impact of single or multiple circuit failure
- Our Products are designed and manufactured for use under standard conditions and not under any special or extraordinary environments or conditions, as exemplified below. Accordingly, ROHM shall not be in any way responsible or liable for any damages, expenses or losses arising from the use of any ROHM's Products under any special or extraordinary environments or conditions. If you intend to use our Products under any special or extraordinary environments or conditions (as exemplified below), your independent verification and confirmation of product performance, reliability, etc. prior to use, must be necessary:
 - Use of our Products in any types of liquid, including water, oils, chemicals, and organic solvents
 - Use of our Products outdoors or in places where the Products are exposed to direct sunlight or dust
 - Use of our Products in places where the Products are exposed to sea wind or corrosive gases, including Cl₂, H₂S, NH₃, SO₂, and NO₂
 - Use of our Products in places where the Products are exposed to static electricity or electromagnetic waves
 - Use of our Products in proximity to heat-producing components, plastic cords, or other flammable items
 - Sealing or coating our Products with resin or other coating materials
 - Use of our Products without cleaning residue of flux (even if you use no-clean type fluxes, cleaning residue of flux is recommended); or Washing our Products by using water or water-soluble cleaning agents for cleaning residue after soldering
 - Use of the Products in places subject to dew condensation
- The Products are not subject to radiation-proof design.
- Please verify and confirm characteristics of the final or mounted products in using the Products.
- In particular, if a transient load (a large amount of load applied in a short period of time, such as pulse. is applied, confirmation of performance characteristics after on-board mounting is strongly recommended. Avoid applying power exceeding normal rated power; exceeding the power rating under steady-state loading condition may negatively affect product performance and reliability.
- De-rate Power Dissipation depending on ambient temperature. When used in sealed area, confirm that it is the use in the range that does not exceed the maximum junction temperature.
- Confirm that operation temperature is within the specified range described in the product specification.
- ROHM shall not be in any way responsible or liable for failure induced under deviant condition from what is defined in this document.

Precaution for Mounting / Circuit board design

- When a highly active halogenous (chlorine, bromine, etc.) flux is used, the residue of flux may negatively affect product performance and reliability.
- In principle, the reflow soldering method must be used on a surface-mount products, the flow soldering method must be used on a through hole mount products. If the flow soldering method is preferred on a surface-mount products, please consult with the ROHM representative in advance.

For details, please refer to ROHM Mounting specification

Precautions Regarding Application Examples and External Circuits

1. If change is made to the constant of an external circuit, please allow a sufficient margin considering variations of the characteristics of the Products and external components, including transient characteristics, as well as static characteristics.
2. You agree that application notes, reference designs, and associated data and information contained in this document are presented only as guidance for Products use. Therefore, in case you use such information, you are solely responsible for it and you must exercise your own independent verification and judgment in the use of such information contained in this document. ROHM shall not be in any way responsible or liable for any damages, expenses or losses incurred by you or third parties arising from the use of such information.

Precaution for Electrostatic

This Product is electrostatic sensitive product, which may be damaged due to electrostatic discharge. Please take proper caution in your manufacturing process and storage so that voltage exceeding the Products maximum rating will not be applied to Products. Please take special care under dry condition (e.g. Grounding of human body / equipment / solder iron, isolation from charged objects, setting of Ionizer, friction prevention and temperature / humidity control).

Precaution for Storage / Transportation

1. Product performance and soldered connections may deteriorate if the Products are stored in the places where:
 - [a] the Products are exposed to sea winds or corrosive gases, including Cl₂, H₂S, NH₃, SO₂, and NO₂
 - [b] the temperature or humidity exceeds those recommended by ROHM
 - [c] the Products are exposed to direct sunshine or condensation
 - [d] the Products are exposed to high Electrostatic
2. Even under ROHM recommended storage condition, solderability of products out of recommended storage time period may be degraded. It is strongly recommended to confirm solderability before using Products of which storage time is exceeding the recommended storage time period.
3. Store / transport cartons in the correct direction, which is indicated on a carton with a symbol. Otherwise bent leads may occur due to excessive stress applied when dropping of a carton.
4. Use Products within the specified time after opening a humidity barrier bag. Baking is required before using Products of which storage time is exceeding the recommended storage time period.

Precaution for Product Label

QR code printed on ROHM Products label is for ROHM's internal use only.

Precaution for Disposition

When disposing Products please dispose them properly using an authorized industry waste company.

Precaution for Foreign Exchange and Foreign Trade act

Since concerned goods might be fallen under listed items of export control prescribed by Foreign exchange and Foreign trade act, please consult with ROHM in case of export.

Precaution Regarding Intellectual Property Rights

1. All information and data including but not limited to application example contained in this document is for reference only. ROHM does not warrant that foregoing information or data will not infringe any intellectual property rights or any other rights of any third party regarding such information or data.
2. ROHM shall not have any obligations where the claims, actions or demands arising from the combination of the Products with other articles such as components, circuits, systems or external equipment (including software).
3. No license, expressly or implied, is granted hereby under any intellectual property rights or other rights of ROHM or any third parties with respect to the Products or the information contained in this document. Provided, however, that ROHM will not assert its intellectual property rights or other rights against you or your customers to the extent necessary to manufacture or sell products containing the Products, subject to the terms and conditions herein.

Other Precaution

1. This document may not be reprinted or reproduced, in whole or in part, without prior written consent of ROHM.
2. The Products may not be disassembled, converted, modified, reproduced or otherwise changed without prior written consent of ROHM.
3. In no event shall you use in any way whatsoever the Products and the related technical information contained in the Products or this document for any military purposes, including but not limited to, the development of mass-destruction weapons.
4. The proper names of companies or products described in this document are trademarks or registered trademarks of ROHM, its affiliated companies or third parties.

General Precaution

1. Before you use our Products, you are requested to carefully read this document and fully understand its contents. ROHM shall not be in any way responsible or liable for failure, malfunction or accident arising from the use of any ROHM's Products against warning, caution or note contained in this document.
2. All information contained in this document is current as of the issuing date and subject to change without any prior notice. Before purchasing or using ROHM's Products, please confirm the latest information with a ROHM sales representative.
3. The information contained in this document is provided on an "as is" basis and ROHM does not warrant that all information contained in this document is accurate and/or error-free. ROHM shall not be in any way responsible or liable for any damages, expenses or losses incurred by you or third parties resulting from inaccuracy or errors of or concerning such information.

Mouser Electronics

Authorized Distributor

Click to View Pricing, Inventory, Delivery & Lifecycle Information:

[ROHM Semiconductor:](#)

[BD35230HFN-TR](#)

Компания «Океан Электроники» предлагает заключение долгосрочных отношений при поставках импортных электронных компонентов на взаимовыгодных условиях!

Наши преимущества:

- Поставка оригинальных импортных электронных компонентов напрямую с производств Америки, Европы и Азии, а так же с крупнейших складов мира;
- Широкая линейка поставок активных и пассивных импортных электронных компонентов (более 30 млн. наименований);
- Поставка сложных, дефицитных, либо снятых с производства позиций;
- Оперативные сроки поставки под заказ (от 5 рабочих дней);
- Экспресс доставка в любую точку России;
- Помощь Конструкторского Отдела и консультации квалифицированных инженеров;
- Техническая поддержка проекта, помощь в подборе аналогов, поставка прототипов;
- Поставка электронных компонентов под контролем ВП;
- Система менеджмента качества сертифицирована по Международному стандарту ISO 9001;
- При необходимости вся продукция военного и аэрокосмического назначения проходит испытания и сертификацию в лаборатории (по согласованию с заказчиком);
- Поставка специализированных компонентов военного и аэрокосмического уровня качества (Xilinx, Altera, Analog Devices, Intersil, Interpoint, Microsemi, Actel, Aeroflex, Peregrine, VPT, Syfer, Eurofarad, Texas Instruments, MS Kennedy, Miteq, Cobham, E2V, MA-COM, Hittite, Mini-Circuits, General Dynamics и др.);

Компания «Океан Электроники» является официальным дистрибьютором и эксклюзивным представителем в России одного из крупнейших производителей разъемов военного и аэрокосмического назначения «JONHON», а так же официальным дистрибьютором и эксклюзивным представителем в России производителя высокотехнологичных и надежных решений для передачи СВЧ сигналов «FORSTAR».



JONHON

«JONHON» (основан в 1970 г.)

Разъемы специального, военного и аэрокосмического назначения:

(Применяются в военной, авиационной, аэрокосмической, морской, железнодорожной, горно- и нефтедобывающей отраслях промышленности)

«FORSTAR» (основан в 1998 г.)

ВЧ соединители, коаксиальные кабели, кабельные сборки и микроволновые компоненты:

(Применяются в телекоммуникациях гражданского и специального назначения, в средствах связи, РЛС, а так же военной, авиационной и аэрокосмической отраслях промышленности).



Телефон: 8 (812) 309-75-97 (многоканальный)

Факс: 8 (812) 320-03-32

Электронная почта: ocean@oceanchips.ru

Web: <http://oceanchips.ru/>

Адрес: 198099, г. Санкт-Петербург, ул. Калинина, д. 2, корп. 4, лит. А