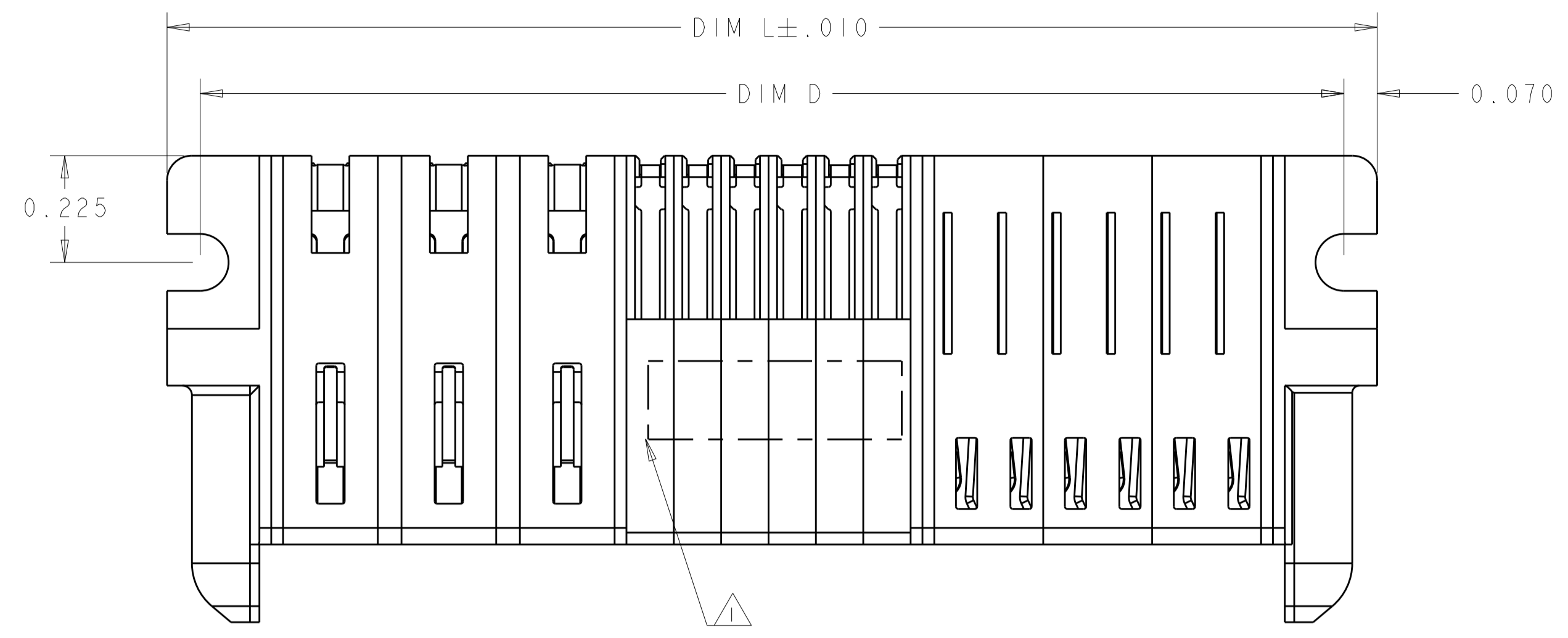
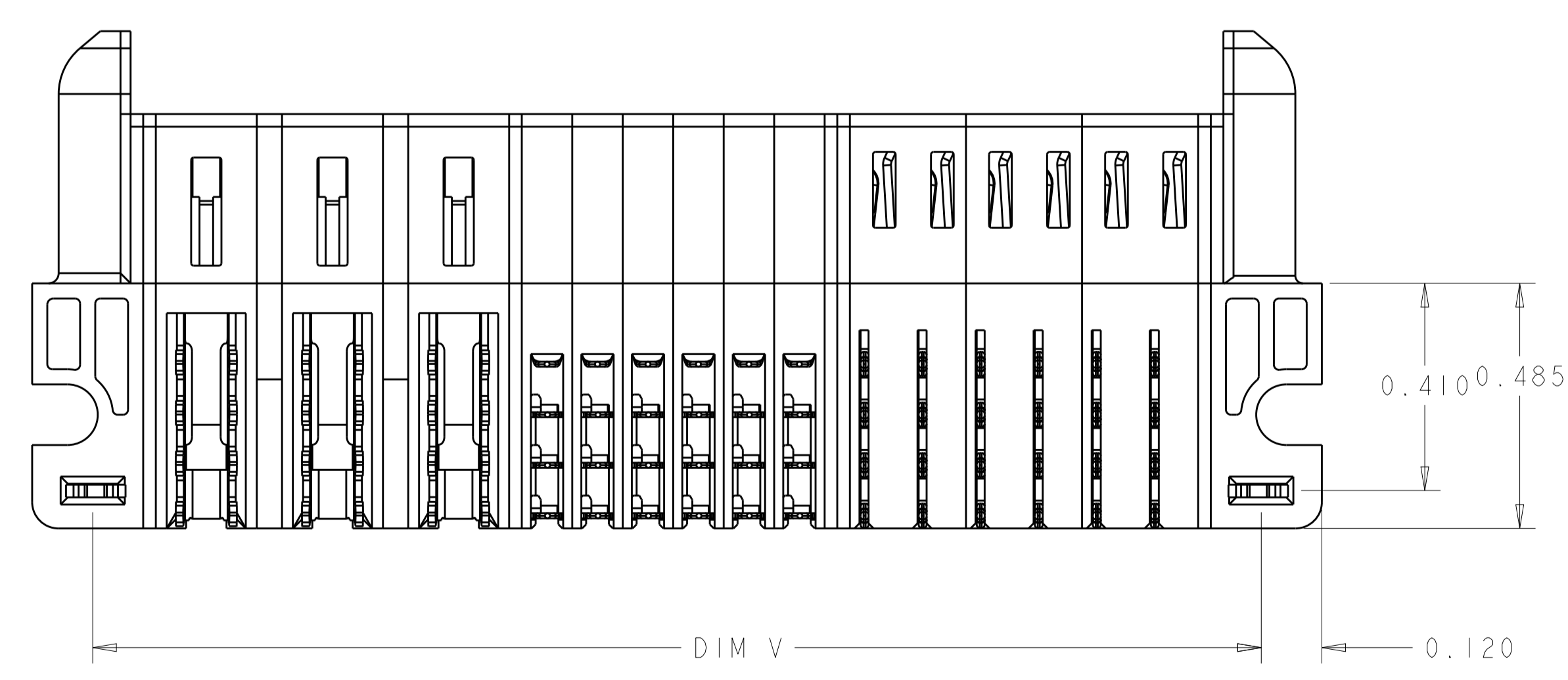
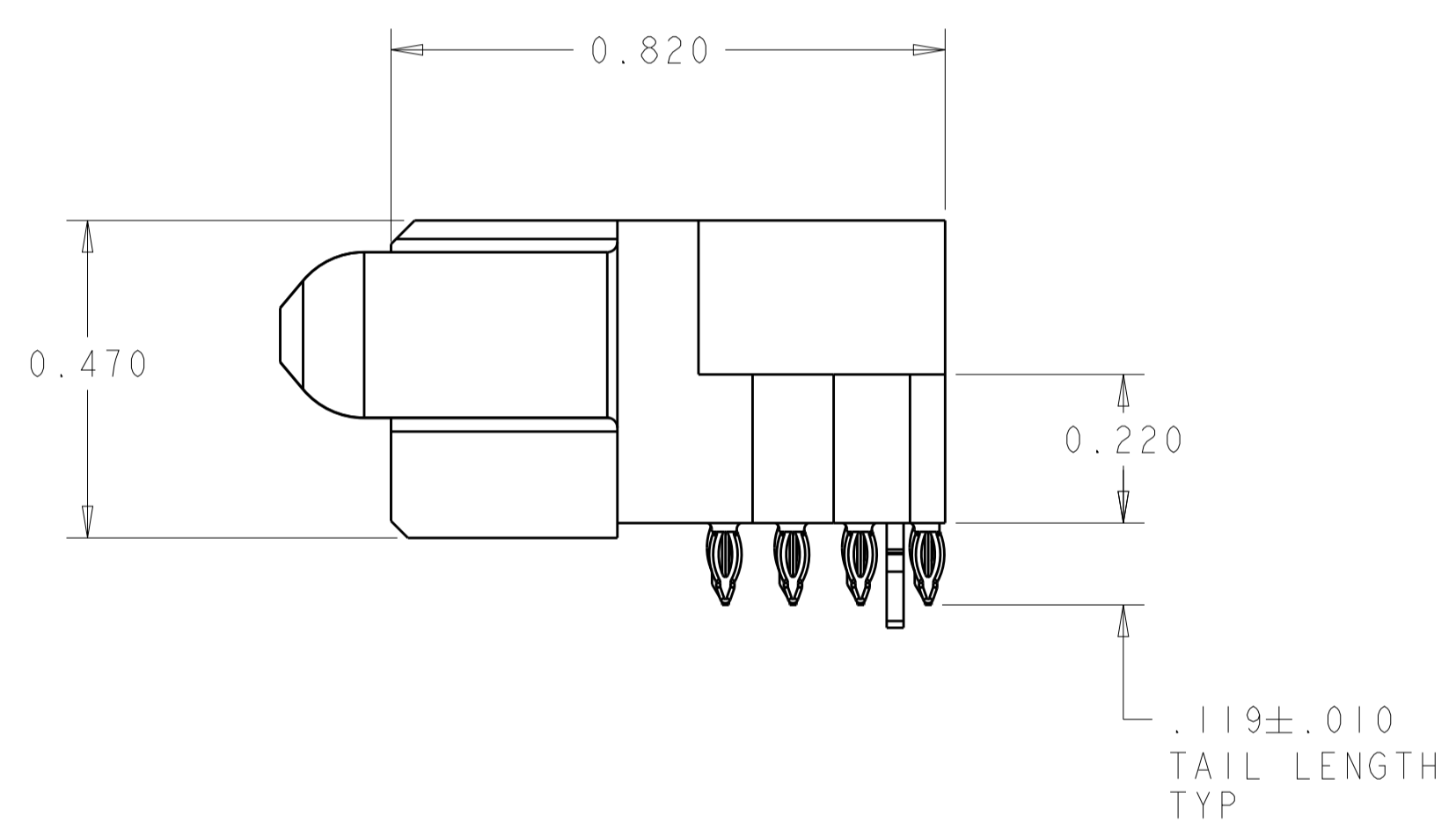
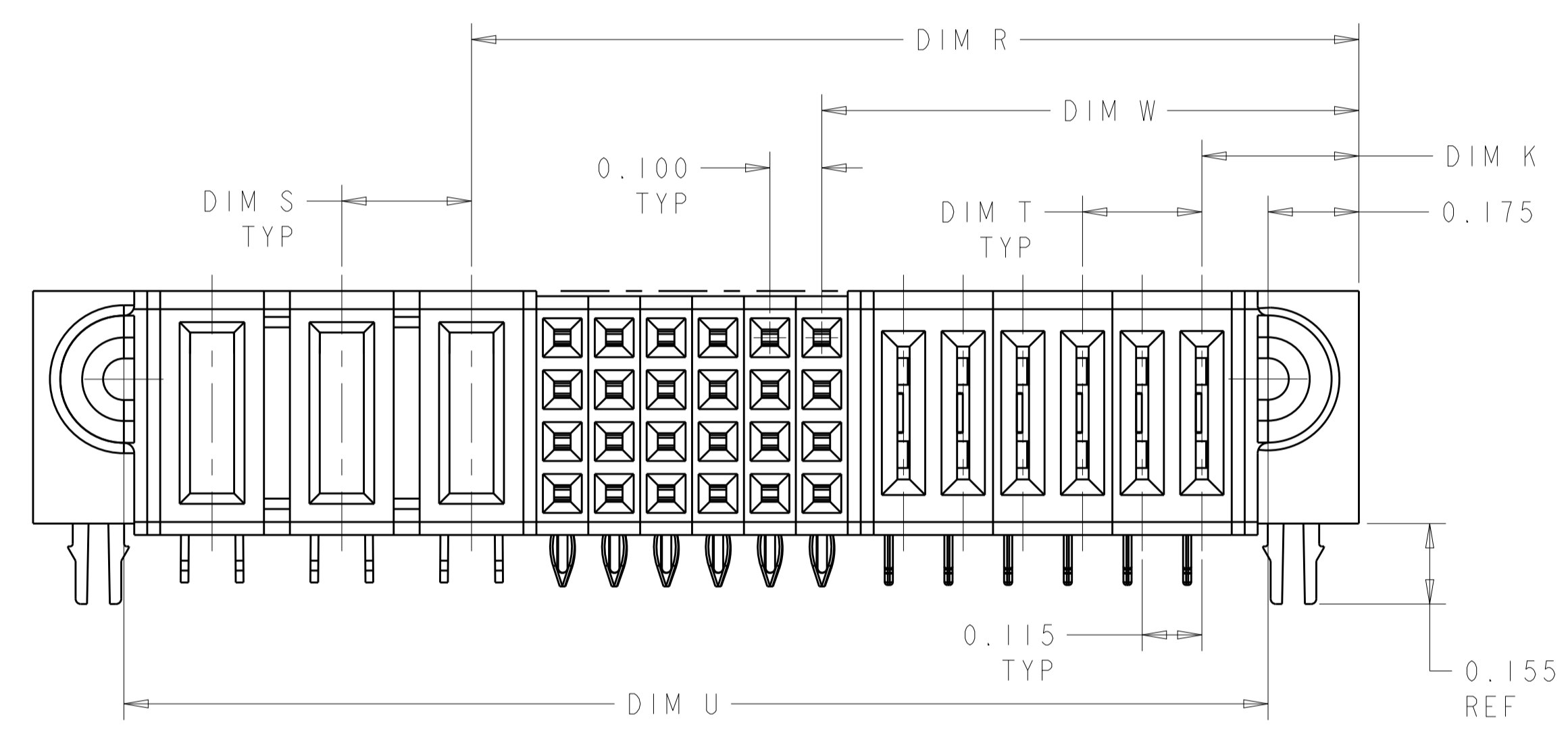


LOC	DIST	REVISIONS					
		P	LTN	DESCRIPTION	DATE	DMN	APVD
ES	00	F5		REMOVED 2-8			



- △ "AMP", PART NUMBER, AND DATE CODE TO BE MARKED IN AREA SHOWN PARTS UNDER 2.000 MAY BE MARKED ON BOTH SIDES.
- △ MATERIAL: HOUSING - GLASS FILLED HIGH TEMP THERMO PLASTIC, UL94 V-0  
SIGNAL CONTACT - COPPER ALLOY  
POWER CONTACT - HIGH CONDUCTIVITY COPPER ALLOY
- △ CONTACT PLATING: NOBLE METAL PLATING ON CONTACT FUNCTIONAL AREA OF POWER AND SIGNAL CONTACTS
- △ MECHANICAL CONNECTOR KEEP OUT ZONE
- △ DATUM AND BASIC DIMENSIONS ESTABLISHED BY CUSTOMER
- △ PCB - ALL HOLE DIAMETERS ARE FINISHED HOLE SIZES
- △ PCB - .0453 ±.0010 DRILLED HOLE PLATED WITH .0003 MIN Sn OVER .001-.003 PLATING TO ACHIEVE A .040 HOLE
- △ FOR P/S/P, P/S/LP CONFIGURATION, PLEASE REFER TO SHEET 2
- △ CONTACTS LUBRICATED WITH HMI5 AFTER PLATING.



.240	.165	1.980	2.080	1.870	2.220	1.4225	.990	.2775	3LP + 16S + 4LP	2-6450880-7
.250	.250	1.750	1.850	1.640	1.990	1.345	.845	.395	2P + 16S + 2P	2-6450880-6
.230	.250	-	5.595	5.385	5.735	4.6025	3.345	.370	12P + 48S + 12LP	2-6450880-3
-	-	.880	.980	.770	1.120	.8425	.435	.2775	1LP + 16S + 1LP	2-6450880-0
.200	.200	2.350	2.450	2.240	2.590	1.670	1.095	.320	4HDP + 20S + 4HDP	1-6450880-9
.250	.250	3.900	4.000	3.790	4.140	2.820	1.520	.320	5P + 48S + 5P	1-6450880-8
.250	.250	3.300	3.400	3.190	3.540	2.195	1.520	.345	5P + 24S + 5P	1-6450880-7
.250	.250	1.750	1.850	1.640	1.990	1.370	.845	.370	2P + 16S + 2P	1-6450880-5
.250	.250	6.000	6.100	5.890	6.240	4.145	2.270	.345	8P + 72S + 8P	1-6450880-1
-	-	.600	.700	.490	.840	-	.270	-	16S	1-6450880-0
.230	.250	5.495	5.595	5.385	5.735	4.6025	3.345	.370	12P+ 48S+ 8LP	6450880-8
.250	.250	4.400	4.500	4.290	4.640	2.545	2.270	.345	8P + 8S + 8P	6450880-7
.230	-	1.190	1.290	1.080	1.430	-	1.060	.3775	6LP + 8S	6450880-6
-	-	1.475	1.575	1.365	1.715	1.320	.595	.370	1P + 24S + 1P	6450880-5
.230	.250	-	5.595	5.385	5.735	4.6025	3.345	.370	12P+ 48S+ 8LP	6450880-4
.300	.200	5.150	5.250	5.040	5.390	2.845	1.520	.370	4ACP + 48S + 12HDP	6450880-3
.230	.250	2.315	2.415	2.205	2.555	1.710	1.035	.3025	6LP + 24S + 3P	6450880-1
DIM T	DIM S	DIM V	DIM D	DIM U	DIM L	DIM R	DIM W	DIM K	DESCRIPTION	PART NUMBER

THIS DRAWING IS A CONTROLLED DOCUMENT.

DMN S. ZHAO 25MAY2007  
CHK S. ZHAO 25MAY2007  
APVD S. ZHAO 25MAY2007

DIMENSIONS: INCHES

TOLERANCES UNLESS OTHERWISE SPECIFIED:

0 PLC	±.01
1 PLC	±.01
2 PLC	±.01
3 PLC	±.005
4 PLC	±.002
ANGLES	±.002

MATERIAL: 2

FINISH: \*

PRODUCT SPEC: 108-2292  
APPLICATION SPEC: 114-13251

WEIGHT: -

CUSTOMER DRAWING

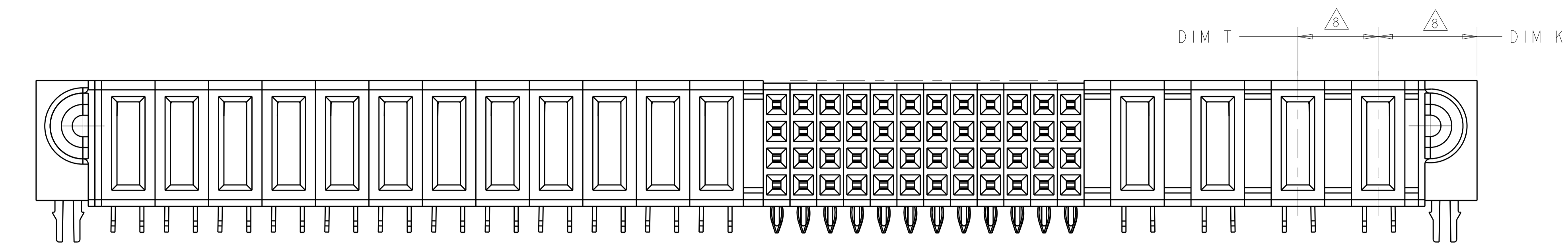
SCALE: 4:1 SHEET 13 OF 13 REV F5

RESTRICTED TO: A100779

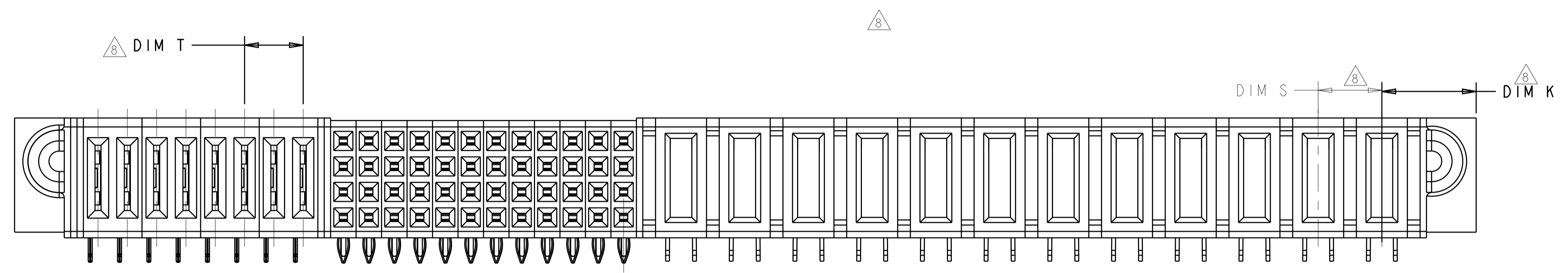
SIZE: CAGE CODE DRAWING NO: 6450880

NAME: RIGHT ANGLE RECEPTACLE WITH LP CONTACT AND SHORT END MODULES MULTI-BEAM XLE

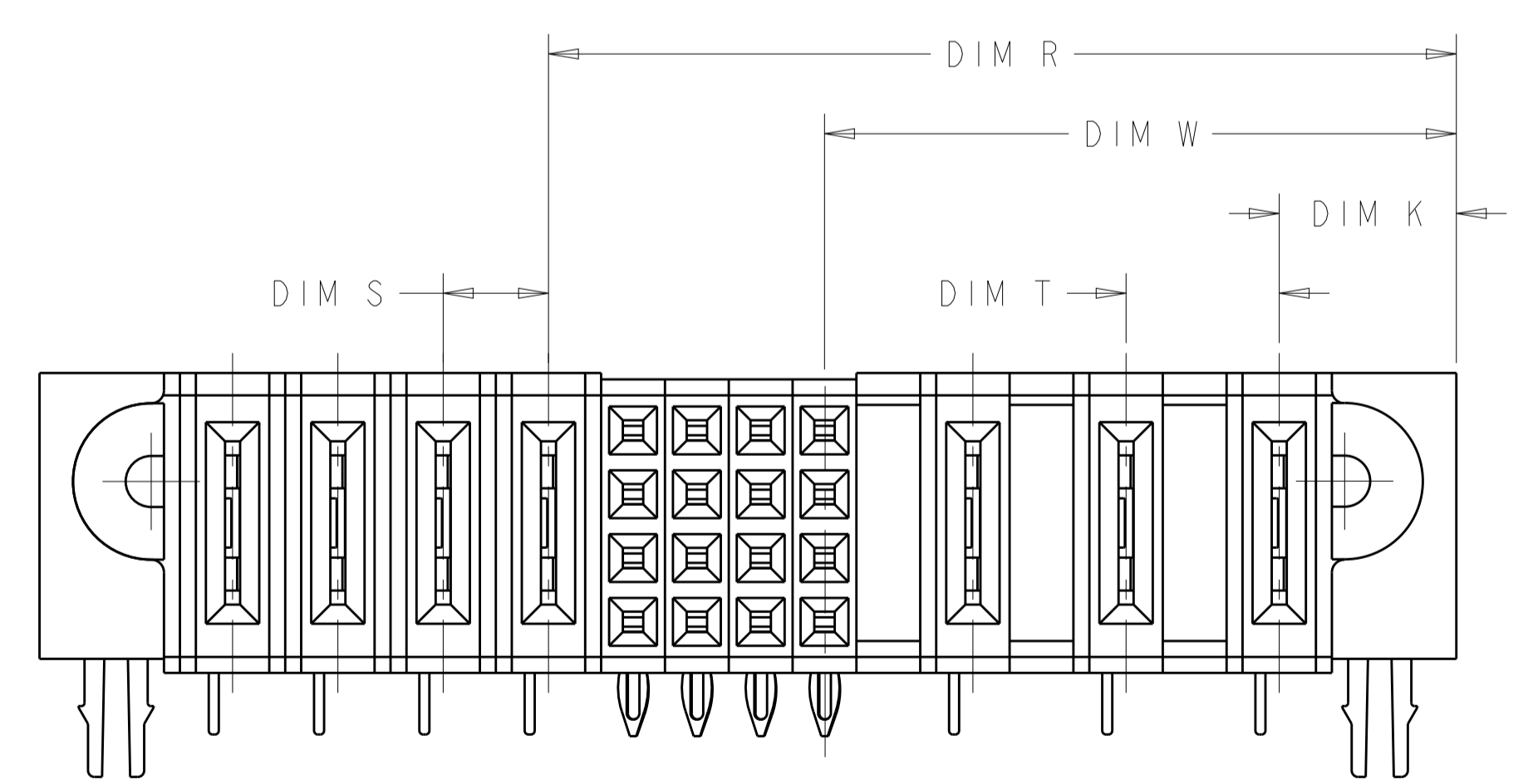
LOC	DIST	REVISIONS					
ES	00	P	LTN	DESCRIPTION	DATE	DWN	APVD
		-		SEE SHEET 1	-	-	-



PART NUMBER 6450880-3  
 UNSPECIFIED DIM REFER TO SHEET 1  
 SCALE 7:2



PART NUMBER 6450880-4, 2-6450880-3  
 UNSPECIFIED DIM REFER TO SHEET 1  
 SCALE 7:2

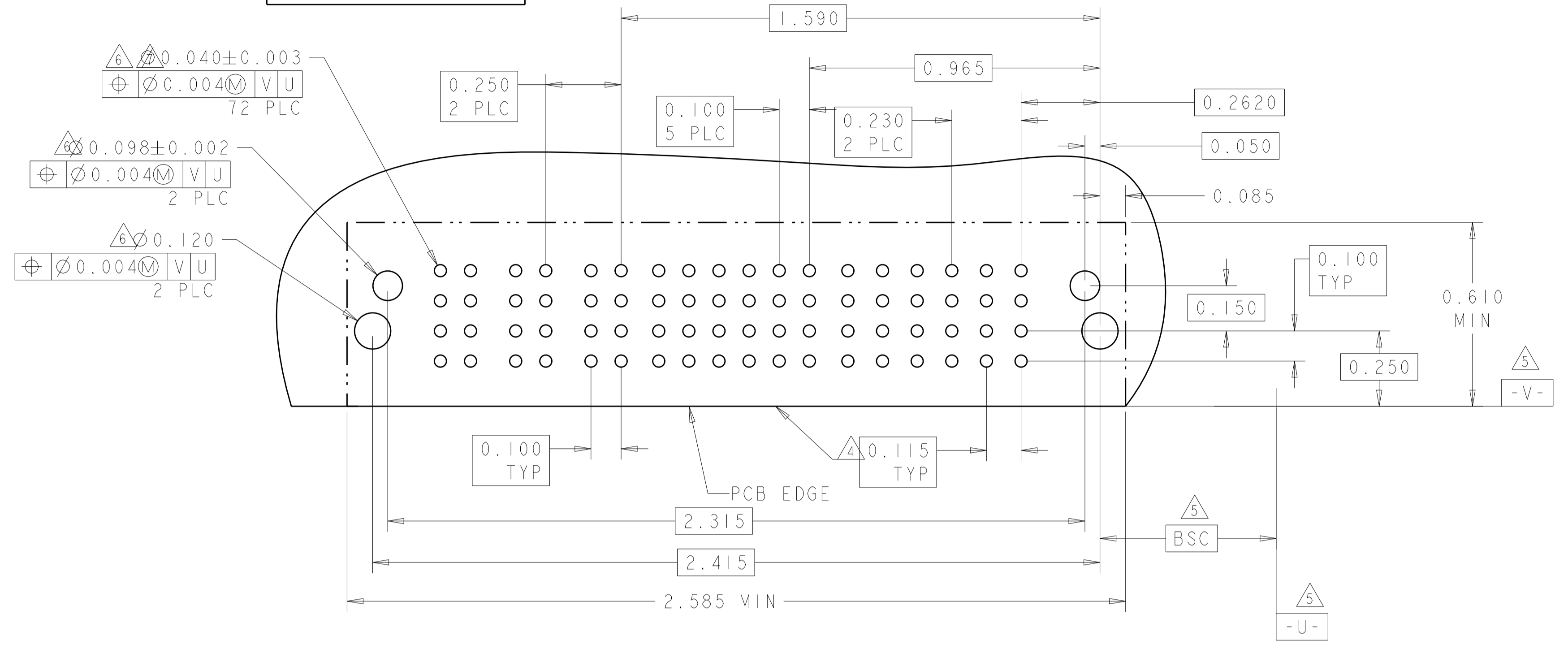


PART NUMBER 2-6450880-0, 2-6450880-7  
 UNSPECIFIED DIM REFER TO SHEET 1  
 FOR CONFIGURATION LP/S/LP

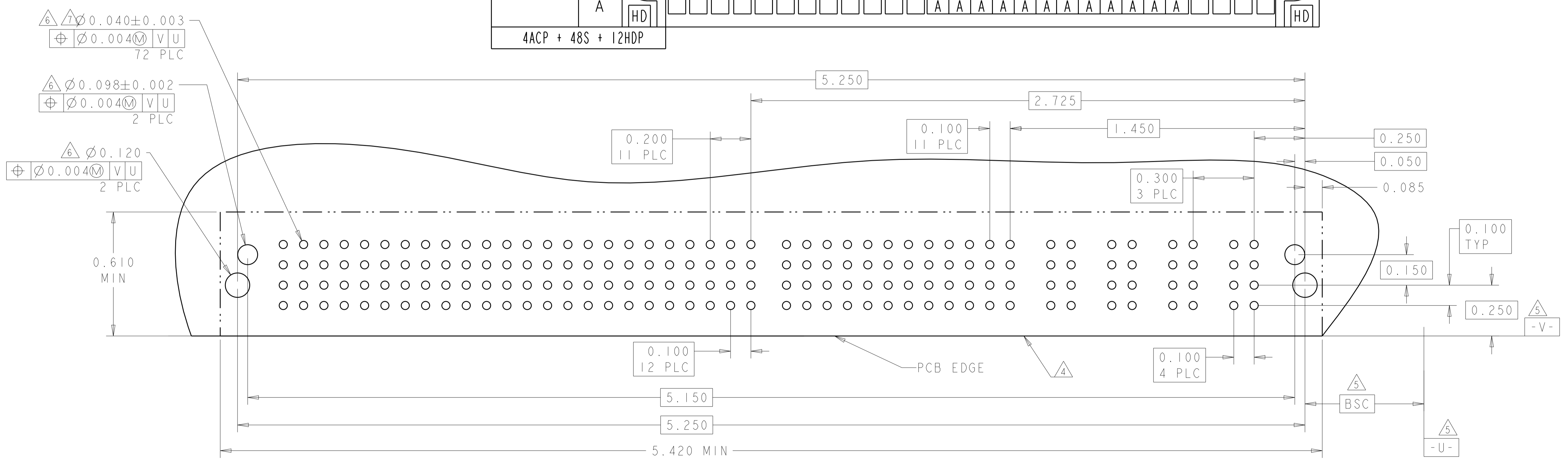
THIS DRAWING IS A CONTROLLED DOCUMENT.		DWN S. ZHAO 25MAY2007	
DIMENSIONS: INCHES		CHK S. ZHAO 25MAY2007	
		APVD S. ZHAO 25MAY2007	
TOLERANCES UNLESS OTHERWISE SPECIFIED: 0 PLC ±.1 1 PLC ±.01 2 PLC ±.005 3 PLC ±.002 4 PLC ±.0020 ANGLES ±.2° FINISH		NAME RIGHT ANGLE RECEPTACLE WITH LP CONTACT AND SHORT END MODULES MULTI-BEAM XLE PRODUCT SPEC 108-2292 APPLICATION SPEC 114-13251 WEIGHT SCALE 4:1 SHEET 2 OF 13 REV F5	
MATERIAL		SIZE CAGE CODE DRAWING NO. A100779C=6450880 CUSTOMER DRAWING	

LOC		DIST		REVISIONS			
ES	00	P	LTH	DESCRIPTION	DATE	DWN	APVD
		-		SEE SHEET 1		-	-

PART NUMBER	ROWS	POWER						SIGNAL						POWER									
		P3	P2	P1	6	5	4	3	2	1	LP6	LP5	LP4	LP3	LP2	LP1	LP6	LP5	LP4	LP3	LP2	LP1	
6450880-1	D C B A	RP	RS	RS	D	D	D	D	D	D	LS	LS	LS	LS	LS	LS	LS	LS	LS	LS	LS	LS	
					C	C	C	C	C	C													
					B	B	B	B	B	B	B												
					A	A	A	A	A	A	A												
6LP + 24S + 3P																							



PART NUMBER	ROWS	POWER												SIGNAL												POWER									
		P16	P15	P14	P13	P12	P11	P10	P9	P8	P7	P6	P5	12	11	10	9	8	7	6	5	4	3	2	1	P4	P3	P2	P1						
6450880-3	D C B A	RS	RS	RS	RS	RS	RS	RS	RS	RS	RS	RS	RS	D	D	D	D	D	D	D	D	D	D	D	D	D	D	D	D	D	D	RS	RS	RS	RS
														C	C	C	C	C	C	C	C	C	C	C	C	C	C	C	C	C	C	C	C		
														B	B	B	B	B	B	B	B	B	B	B	B	B	B	B	B	B	B	B	B	B	
														A	A	A	A	A	A	A	A	A	A	A	A	A	A	A	A	A	A	A	A	A	
4ACP + 48S + 12HDP																																			



SIGNAL CONTACT ROW D	D
SIGNAL CONTACT ROW C	C
SIGNAL CONTACT ROW B	B
SIGNAL CONTACT ROW A	A
STD LP CONTACT	LS
MFBL POWER CONTACT	RP
STD POWER CONTACT	RS
DESCRIPTION	CODE

THIS DRAWING IS A CONTROLLED DOCUMENT. DWN S. ZHAO 25MAY2007  
 CH S. ZHAO 25MAY2007  
 APVD S. ZHAO 25MAY2007

TE Connectivity

NAME: RIGHT ANGLE RECEPTACLE WITH LP CONTACT AND SHORT END MODULES MULTI-BEAM XLE  
 PRODUCT SPEC: 108-2292  
 APPLICATION SPEC: 114-13251  
 WEIGHT: -  
 CUSTOMER DRAWING

SCALE: 4:1 SHEET 3 OF 13 REV: F5

LOC		DIST		REVISIONS			
ES	00	P	LTN	DESCRIPTION	DATE	DMN	APVD
		-		SEE SHEET 1			

PART NUMBER	ROWS	POWER								SIGNAL												POWER											
		LP8	LP7	LP6	LP5	LP4	LP3	LP2	LP1	I2	I1	I0	9	8	7	6	5	4	3	2	1	PI2	PI1	PI0	P9	P8	P7	P6	P5	P4	P3	P2	PI
6450880-4	D									D	D	D	D	D	D	D	D	D	D	D	D	RS	RS	RS	RS	RS	RS	RS	RS	RS	RS	RS	
	C	LS	LS	LS	LS	LS	LS	LS	LS	C	C	C	C	C	C	C	C	C	C	C	C	RS	RS	RS	RS	RS	RS	RS	RS	RS	RS	RS	
	B									B	B	B	B	B	B	B	B	B	B	B	B												
	A									A	A	A	A	A	A	A	A	A	A	A	A												

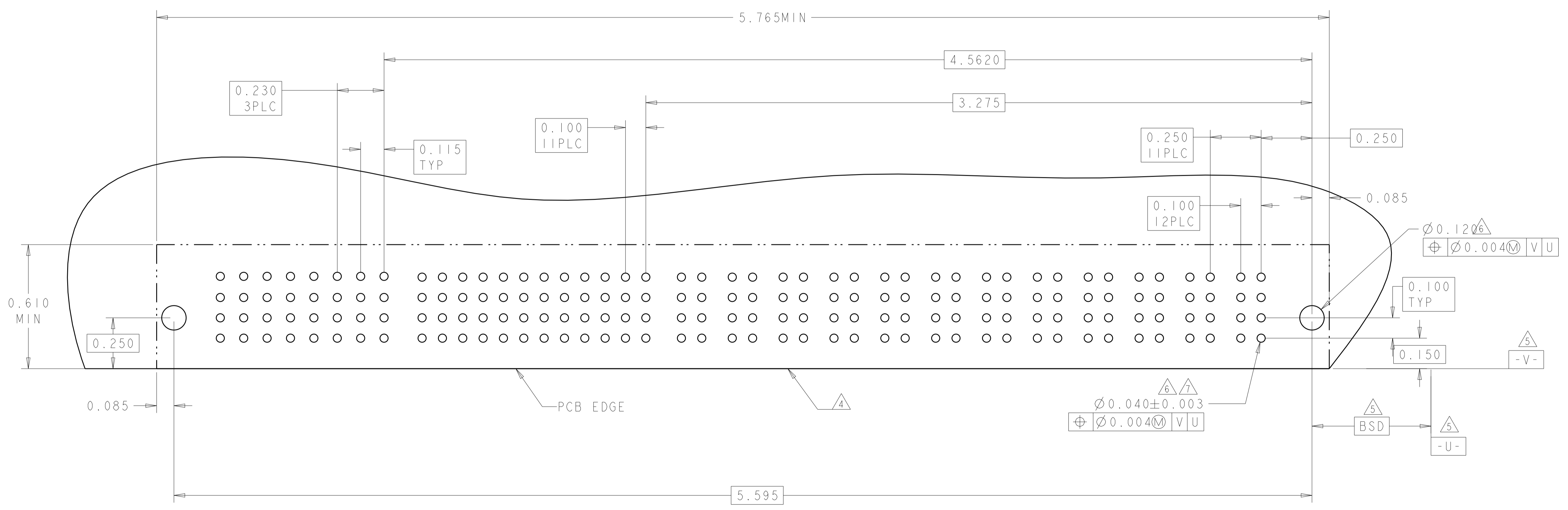
12P + 48S + 8LP

PART NUMBER	ROWS	POWER								SIGNAL												POWER											
		LP8	LP7	LP6	LP5	LP4	LP3	LP2	LP1	I2	I1	I0	9	8	7	6	5	4	3	2	1	PI2	PI1	PI0	P9	P8	P7	P6	P5	P4	P3	P2	PI
6450880-8	D									D	D	D	D	D	D	D	D	D	D	D	D	RS	RS	RS	RS	RS	RS	RS	RS	RS	RS	RS	
	C	LS	LS	LS	LS	LS	LS	LS	LS	C	C	C	C	C	C	C	C	C	C	C	C	RS	RS	RS	RS	RS	RS	RS	RS	RS	RS	RS	
	B									B	B	B	B	B	B	B	B	B	B	B	B												
	A									A	A	A	A	A	A	A	A	A	A	A	A												

12P + 48S + 8LP

PART NUMBER	ROWS	POWER								SIGNAL												POWER											
		LP8	LP7	LP6	LP5	LP4	LP3	LP2	LP1	I2	I1	I0	9	8	7	6	5	4	3	2	1	PI2	PI1	PI0	P9	P8	P7	P6	P5	P4	P3	P2	PI
2-6450880-3	D									D	D	D	D	D	D	D	D	D	D	D	D	RS	RS	RS	RS	RS	RS	RS	RS	RS	RS	RS	
	C	LS	LS	LS	LS	LS	LS	LS	LS	C	C	C	C	C	C	C	C	C	C	C	C	RS	RS	RS	RS	RS	RS	RS	RS	RS	RS	RS	
	B									B	B	B	B	B	B	B	B	B	B	B	B												
	A									A	A	A	A	A	A	A	A	A	A	A	A												

12P + 48S + 8LP



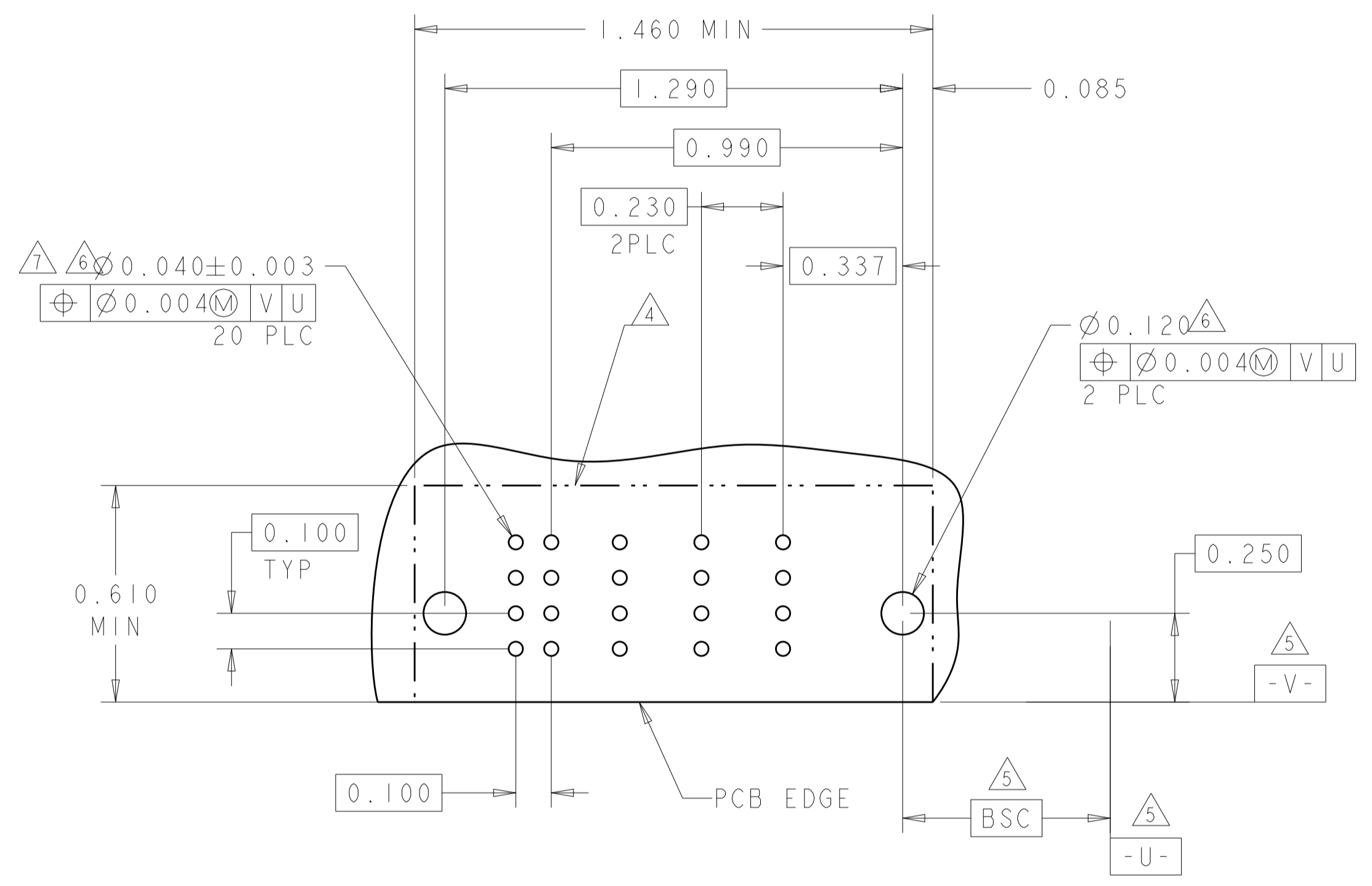
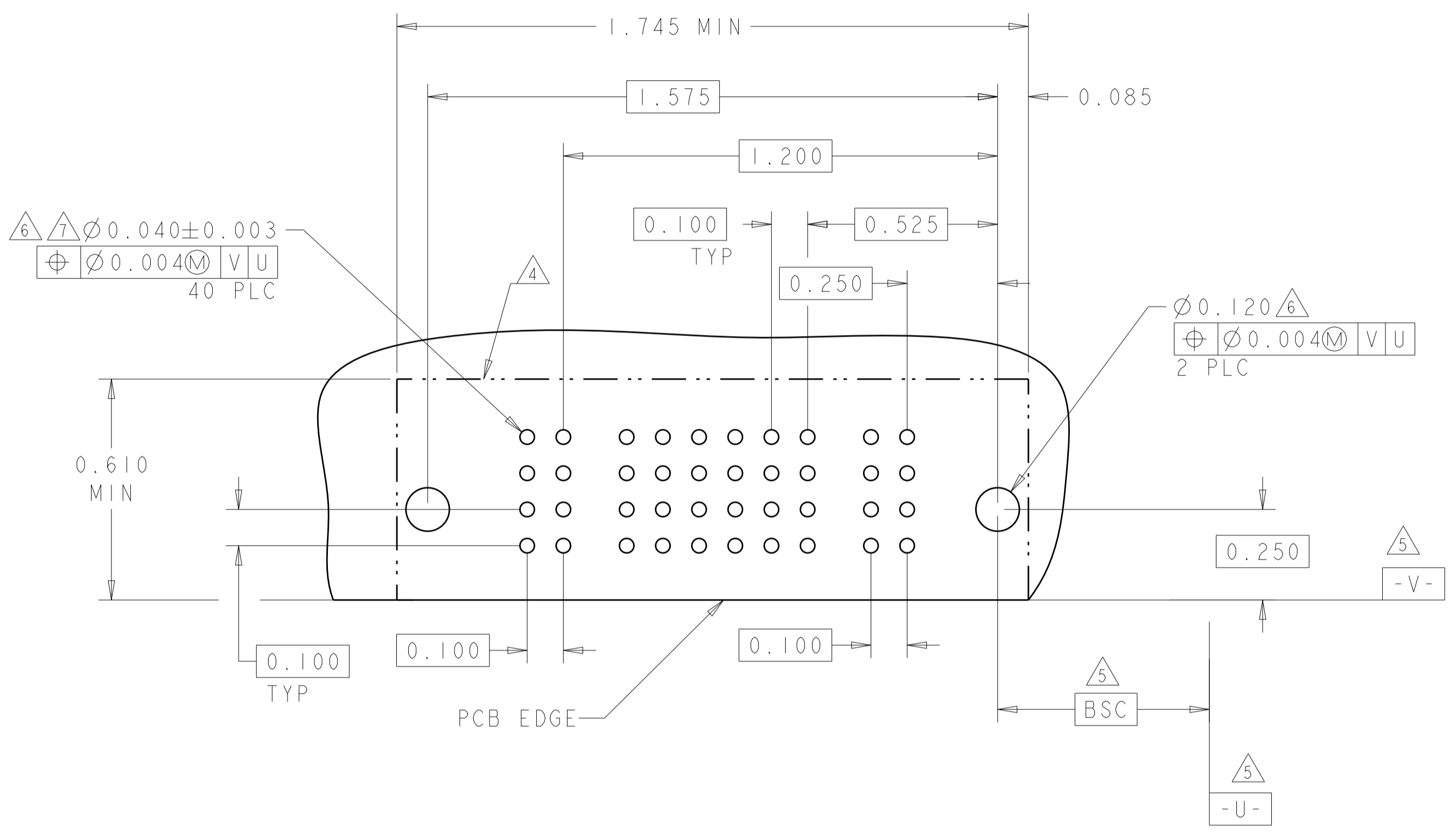
PCB LAYOUT FOR P/N: 6450880-4 ; 6450880-8 AND 2-6450880-3

THIS DRAWING IS A CONTROLLED DOCUMENT.		DMN S. ZHAO 25MAY2007	TE Connectivity
DIMENSIONS: INCHES		CHK S. ZHAO 25MAY2007	
TOLERANCES UNLESS OTHERWISE SPECIFIED:		APVD S. ZHAO 25MAY2007	NAME
0 PLC ±.1	1 PLC ±.01	PRODUCT SPEC	RIGHT ANGLE RECEPTACLE WITH LP CONTACT AND SHORT END MODULES MULTI-BEAM XLE
2 PLC ±.01	3 PLC ±.005	APPLICATION SPEC	SIZE CAGE CODE DRAWING NO
4 PLC ±.0020	ANGLES ±.0020	114-13251	A100779C=6450880
MATERIAL	FINISH	WEIGHT	RESTRICTED TO
			CUSTOMER DRAWING
		SCALE 4:1	SHEET 4 OF 13 REV F5

LOC	DIST	REV	DATE	BY	APPV
ES	00				
REVISIONS			DESCRIPTION	DATE	BY
			SEE SHEET 1		

PART NUMBER	ROWS	POWER		SIGNAL						POWER		
		P2	P1	6	5	4	3	2	1	P2	P1	
6450880-5	D	RS	RS	D	D	D	D	D	D	D	RS	RS
	C			C	C	C	C	C				
	B			B	B	B	B	B				
	A			A	A	A	A	A				
IP + 24S + IP												

PART NUMBER	ROWS	SIGNAL		POWER					
		2	1	LP6	LP5	LP4	LP3	LP2	LP1
6450880-6	D	D	D	LS	LS	LS	LS	LS	LS
	C	C							
	B	B							
	A	A							
6LP + 8S									



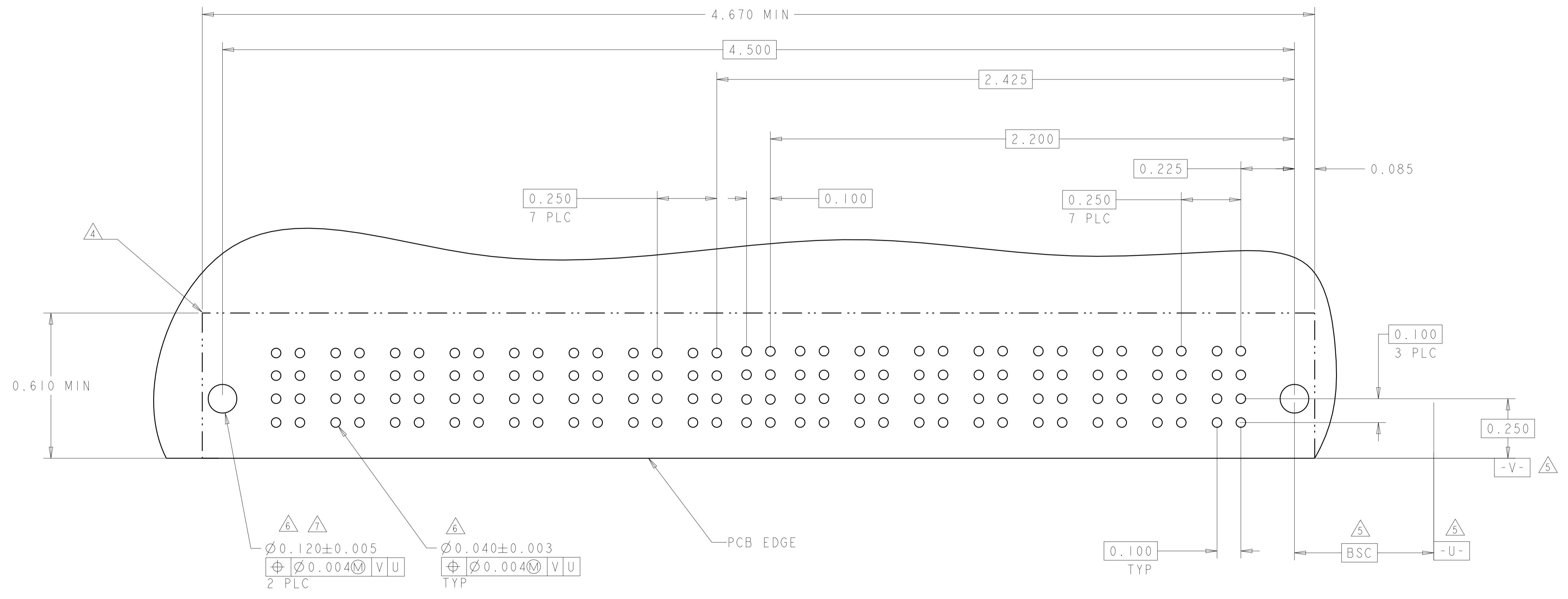
THIS DRAWING IS A CONTROLLED DOCUMENT.

DIMENSIONS:	TOLERANCES UNLESS OTHERWISE SPECIFIED:	OWN: S. ZHAO 25MAY2007	CHK: S. ZHAO 25MAY2007		TE Connectivity NAME: RIGHT ANGLE RECEPTACLE WITH LP CONTACT AND SHORT END MODULES MULTI-BEAM XLE
INCHES	0 PLC ±.1	APVD: S. ZHAO 25MAY2007	PRODUCT SPEC: 108-2292		
	1 PLC ±.01	APPLICATION SPEC: 114-13251	SIZE: A100779		
	2 PLC ±.005	WEIGHT: -	CAGE CODE: C=6450880		
	3 PLC ±.002	CUSTOMER DRAWING	SCALE: 4:1	SHEET: 5 OF 13	REV: F5
	4 PLC ±.0020				
	ANGLES ±.2°				
MATERIAL:	FINISH:				

LOC		DIST		REVISIONS			
ES	00	P	LTH	DESCRIPTION	DATE	DWN	APVD
		-		SEE SHEET 1			

PART NUMBER	ROWS	POWER									SIGNAL		POWER							
		P16	P15	P14	P13	P12	P11	P10	P9	2	1	P8	P7	P6	P5	P4	P3	P2	P1	
6450880-7	D C B A	RS	RS	RS	RS	RS	RS	RS	RS	RS	D	D	RS	RS	RS	RS	RS	RS	RS	
											C	C								
											B	B								
											A	A								
8P + 8S + 8P																				

(DI)



THIS DRAWING IS A CONTROLLED DOCUMENT.

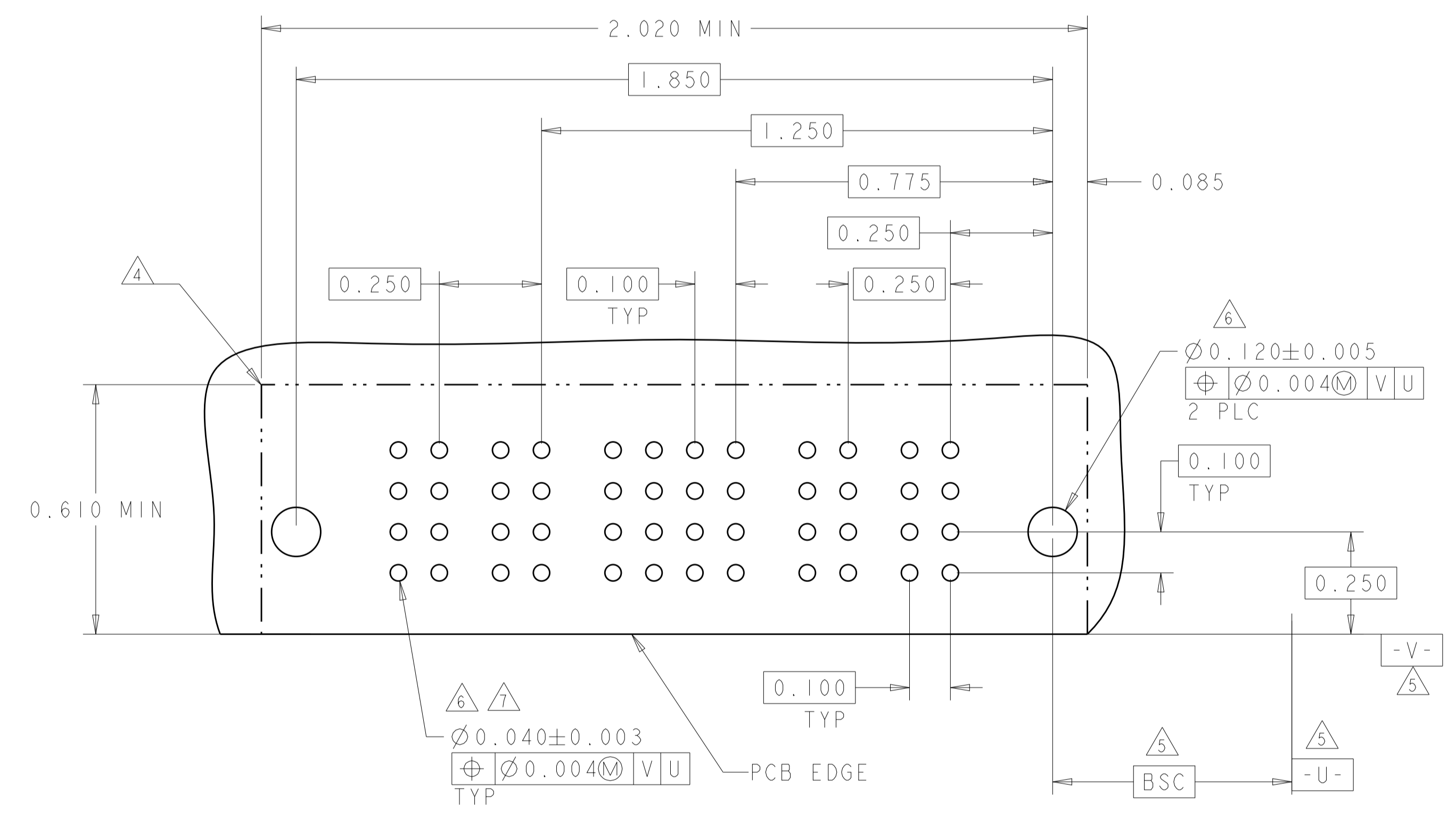
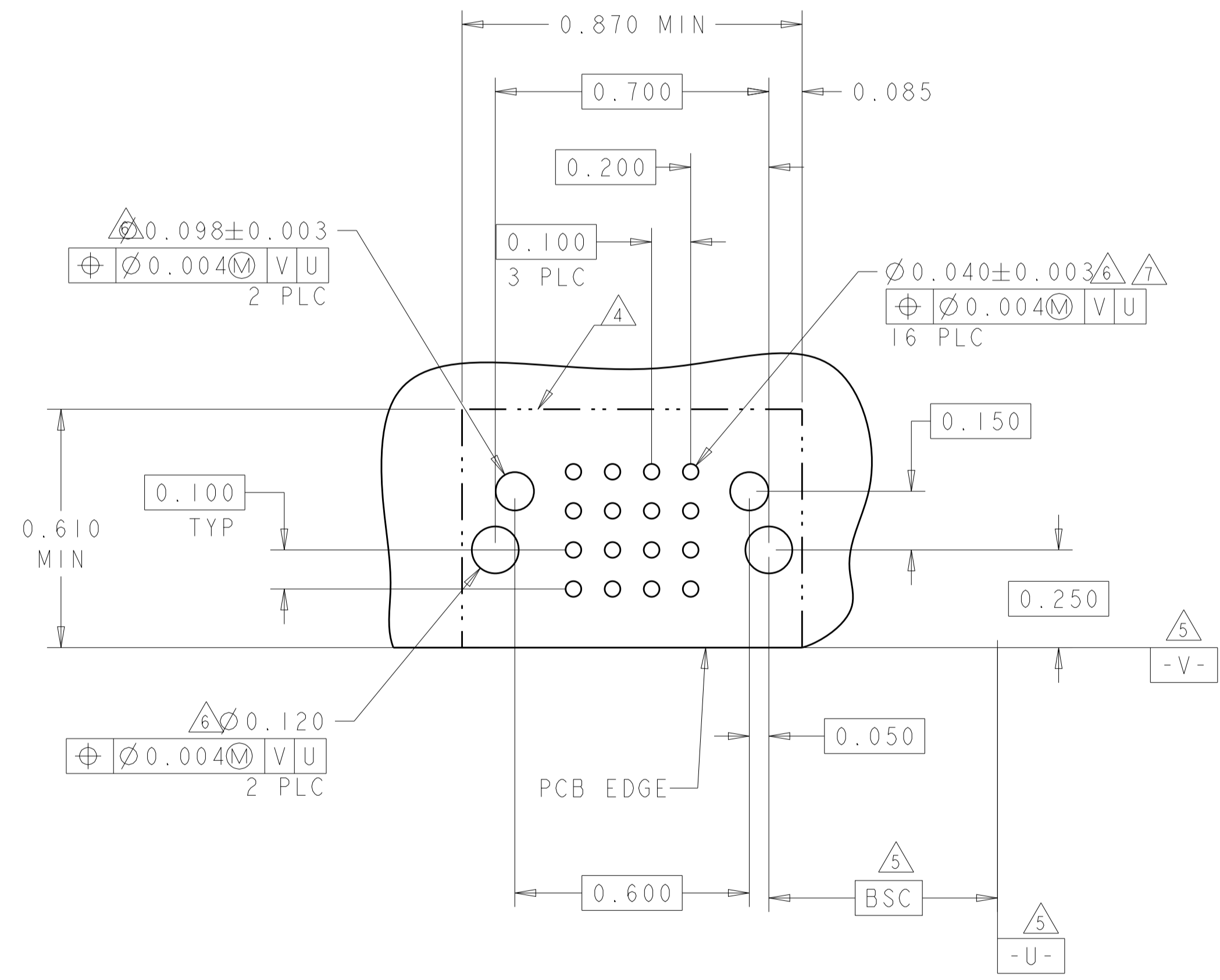
DWN: S. ZHAO	25MAY2007	TE Connectivity NAME: RIGHT ANGLE RECEPTACLE WITH LP CONTACT AND SHORT END MODULES MULTI-BEAM XLE
CHK: S. ZHAO	25MAY2007	
APVD: S. ZHAO	25MAY2007	
DIMENSIONS: INCHES TOLERANCES UNLESS OTHERWISE SPECIFIED: 0 PLC ±.1 1 PLC ±.01 2 PLC ±.01 3 PLC ±.005 4 PLC ±.002 ANGLES ±.020 FINISH		

PRODUCT SPEC	108-2292	SIZE	CAGE CODE	DRAWING NO	RESTRICTED TO
APPLICATION SPEC	114-13251	SCALE	4:1	SHEET 6 OF 13	REV F5
WEIGHT		A100779C=6450880			
CUSTOMER DRAWING					

LOC	DIST	REVISIONS			
P	LTH	DESCRIPTION	DATE	DNW	APVD
-	-	SEE SHEET 1	-	-	-

PART NUMBER	ROWS	SIGNAL			
		4	3	2	1
I-6450880-0	D	D	D	D	D
	C	C	C	C	C
	B	B	B	B	B
	A	A	A	A	A
16S		HD			HD

PART NUMBER	ROWS	POWER		SIGNAL				POWER	
		P4	P3	4	3	2	1	P2	P1
I-6450880-5	D	RS	RS	D	D	D	D	RS	RS
	C			C	C	C			
	B			B	B	B			
	A			A	A	A			
2P + 16S + 2P									

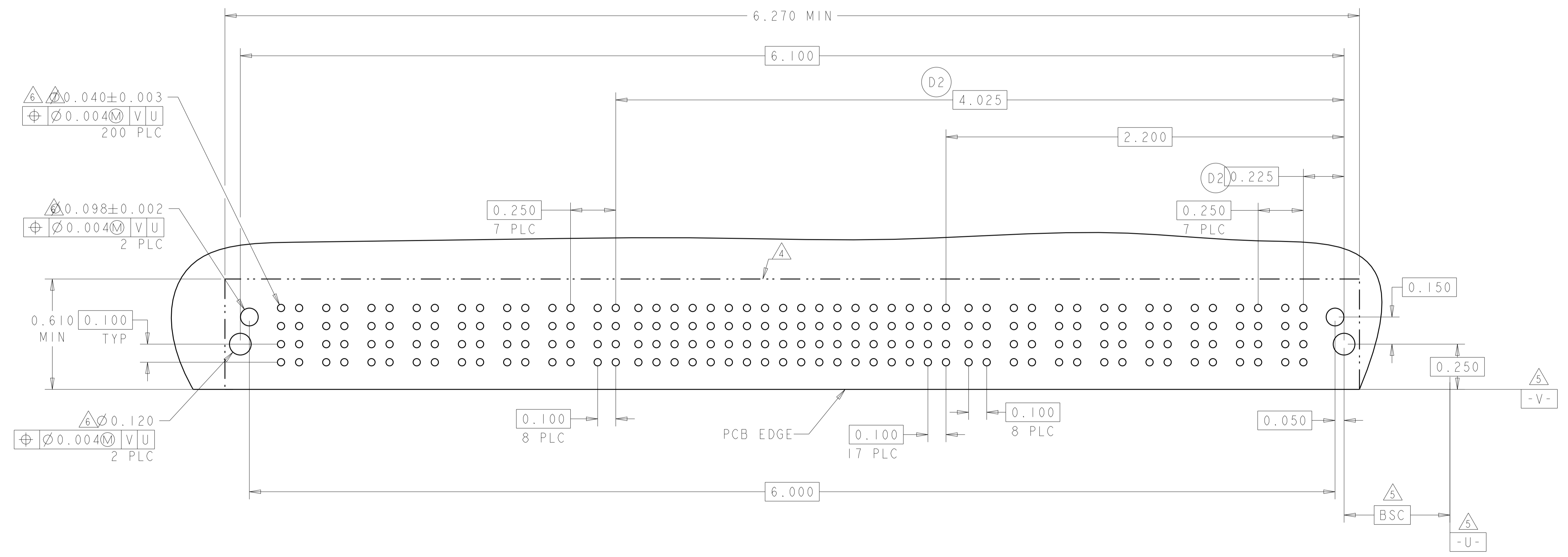


THIS DRAWING IS A CONTROLLED DOCUMENT.

DIMENSIONS: INCHES	TOLERANCES UNLESS OTHERWISE SPECIFIED:	DNW S. ZHAO 25MAY2007	CHK S. ZHAO 25MAY2007	TE Connectivity
	0 PLC ±. 1 PLC ±.1 2 PLC ±.01 3 PLC ±.005 4 PLC ±.0020 ANGLES ±.7°	APVD S. ZHAO 25MAY2007	NAME	
MATERIAL	FINISH	PRODUCT SPEC	108-2292	RIGHT ANGLE RECEPTACLE WITH LP CONTACT AND SHORT END MODULES MULTI-BEAM XLE
		APPLICATION SPEC	114-13251	SIZE CAGE CODE DRAWING NO
		RESTRICTED TO	A100779	6450880
		CUSTOMER DRAWING	SCALE 4:1	SHEET 7 OF 13 REV F5

LOC	DIST	REV	DATE	BY	APPV
ES	00				

PART NUMBER	ROWS	POWER							SIGNAL														POWER																	
		P16	P15	P14	P13	P12	P11	P10	P9	18	17	16	15	14	13	12	11	10	9	8	7	6	5	4	3	2	1	P8	P7	P6	P5	P4	P3	P2	P1					
I-6450880-1	D	RP	RS	RS	RS	RS	RS	RS	D	D	D	D	D	D	D	D	D	D	D	D	D	D	D	D	D	D	D	RS	RS	RS	RS	RS	RS	RS	RP					
	C								C	C	C	C	C	C	C	C	C	C	C	C	C	C	C	C	C	C	C	C	C	C	C	C	C	C	C	C	C	C	C	
	B								B	B	B	B	B	B	B	B	B	B	B	B	B	B	B	B	B	B	B	B	B	B	B	B	B	B	B	B	B	B	B	B
	A								A	A	A	A	A	A	A	A	A	A	A	A	A	A	A	A	A	A	A	A	A	A	A	A	A	A	A	A	A	A	A	A
8P + 72S + 8P																																			HD					



THIS DRAWING IS A CONTROLLED DOCUMENT.

DIMENSIONS: INCHES	TOLERANCES UNLESS OTHERWISE SPECIFIED:	0 PLC ±.1	1 PLC ±.1	2 PLC ±.01	3 PLC ±.005	4 PLC ±.0020	ANGLES ±.5°	FINISH
-----------------------	--	-----------	-----------	------------	-------------	--------------	-------------	--------

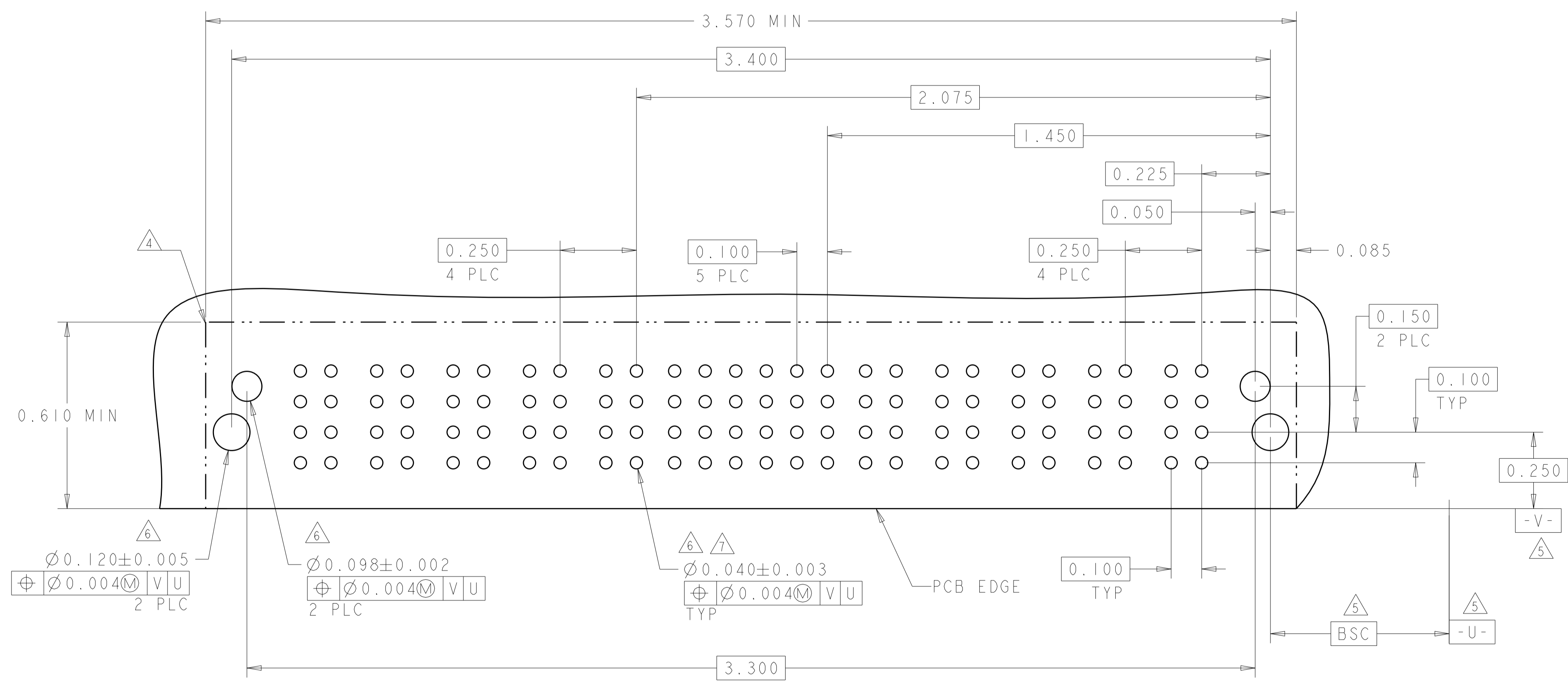
OWN: S. ZHAO	25MAY2007	<b>TE</b> Connectivity
CHK: S. ZHAO	25MAY2007	
APPV: S. ZHAO	25MAY2007	
PRODUCT SPEC	108-2292	NAME: RIGHT ANGLE RECEPTACLE WITH LP CONTACT AND SHORT END MODULES MULTI-BEAM XLE
APPLICATION SPEC	114-13251	RESTRICTED TO: -
WEIGHT	-	SCALE: 4:1
CUSTOMER DRAWING	SCALE: 4:1	SHEET 8 OF 13

REV: F5



LOC	DIST	REVISIONS					
		P	LTN	DESCRIPTION	DATE	DMN	APVD
ES	00	-	-	SEE SHEET 1	-	-	-

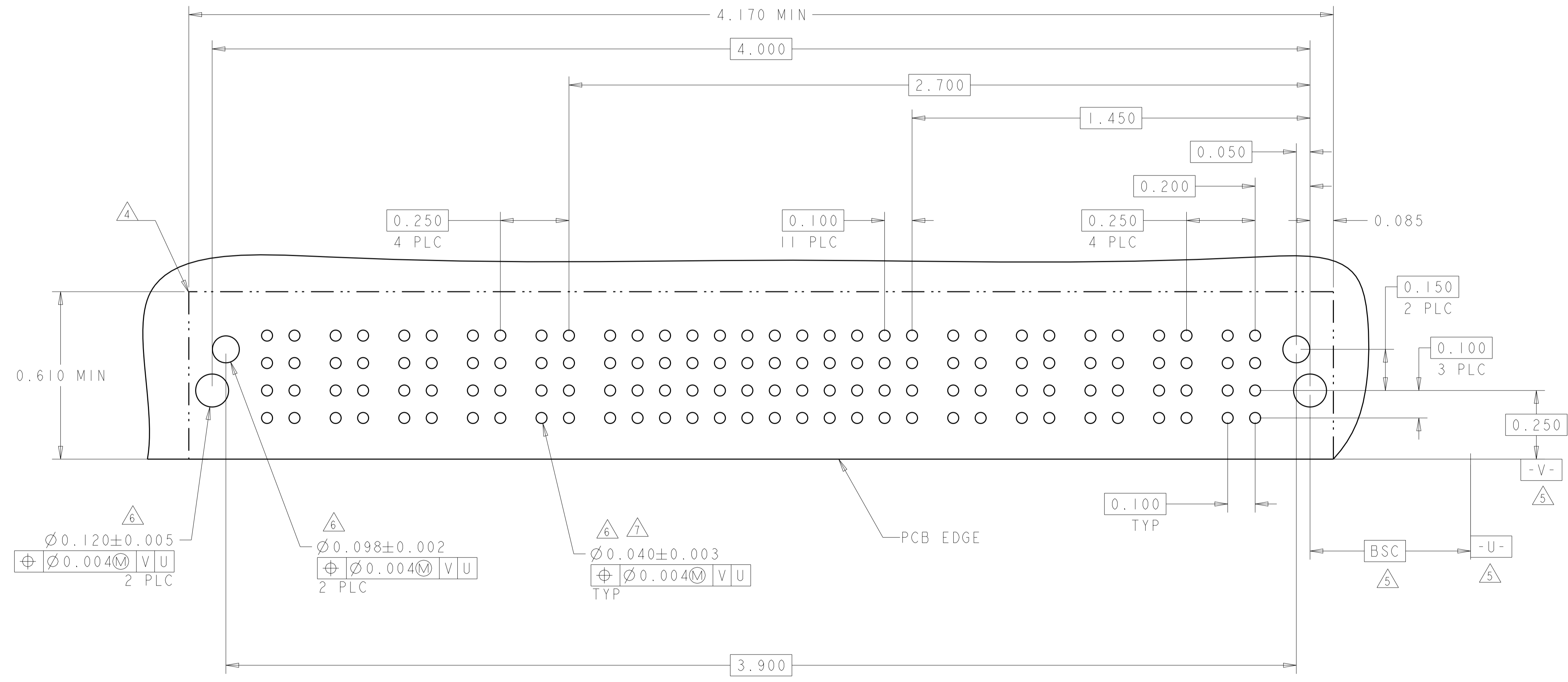
PART NUMBER	ROWS	POWER					SIGNAL						POWER				
		P10	P9	P8	P7	P6	6	5	4	3	2	1	P5	P4	P3	P2	P1
1-6450880-7	D	RS	RS	RS	RS	RS	D	D	D	D	D	D	RS	RS	RS	RS	RS
	C						C	C	C	C	C						
	B						B	B	B	B	B						
	A						A	A	A	A	A						
5P + 24S + 5P																	



THIS DRAWING IS A CONTROLLED DOCUMENT.		DMN S. ZHAO 25MAY2007	<b>STE</b> TE Connectivity
DIMENSIONS: INCHES		CHK S. ZHAO 25MAY2007	
TOLERANCES UNLESS OTHERWISE SPECIFIED:		APVD S. ZHAO 25MAY2007	NAME RIGHT ANGLE RECEPTACLE WITH LP CONTACT AND SHORT END MODULES MULTI-BEAM XLE
0 PLC ±.1		PRODUCT SPEC 108-2292	SIZE CAGE CODE DRAWING NO. A100779C=6450880
1 PLC ±.01		APPLICATION SPEC 114-13251	RESTRICTED TO
2 PLC ±.005		WEIGHT	SCALE 4:1 SHEET 9 OF 13 REV F5
3 PLC ±.0020		FINISH	
4 PLC ±.0020		CUSTOMER DRAWING	
ANGLES ±.2°			

LOC	DIST	REVISIONS					
ES	00	P	LTN	DESCRIPTION	DATE	DWN	APVD
		-		SEE SHEET 1			

PART NUMBER	ROWS	POWER					SIGNAL										POWER										
		P10	P9	P8	P7	P6	12	11	10	9	8	7	6	5	4	3	2	1	P5	P4	P3	P2	P1				
I-6450880-8	D	RS	RS	RS	RS	RS	D	D	D	D	D	D	D	D	D	D	D	D	D	RS	RS	RS	RS	RS			
	C						C	C	C	C	C	C	C	C	C	C	C	C	C						C	C	
	B						B	B	B	B	B	B	B	B	B	B	B	B	B						B	B	B
	A						A	A	A	A	A	A	A	A	A	A	A	A	A						A	A	A
5P + 48S + 5P																											



THIS DRAWING IS A CONTROLLED DOCUMENT.

DWN	S. ZHAO	25MAY2007
CHK	S. ZHAO	25MAY2007
APVD	S. ZHAO	25MAY2007

TE Connectivity

RIGHT ANGLE RECEPTACLE WITH LP CONTACT AND SHORT END MODULES MULTI-BEAM XLE

108-2292

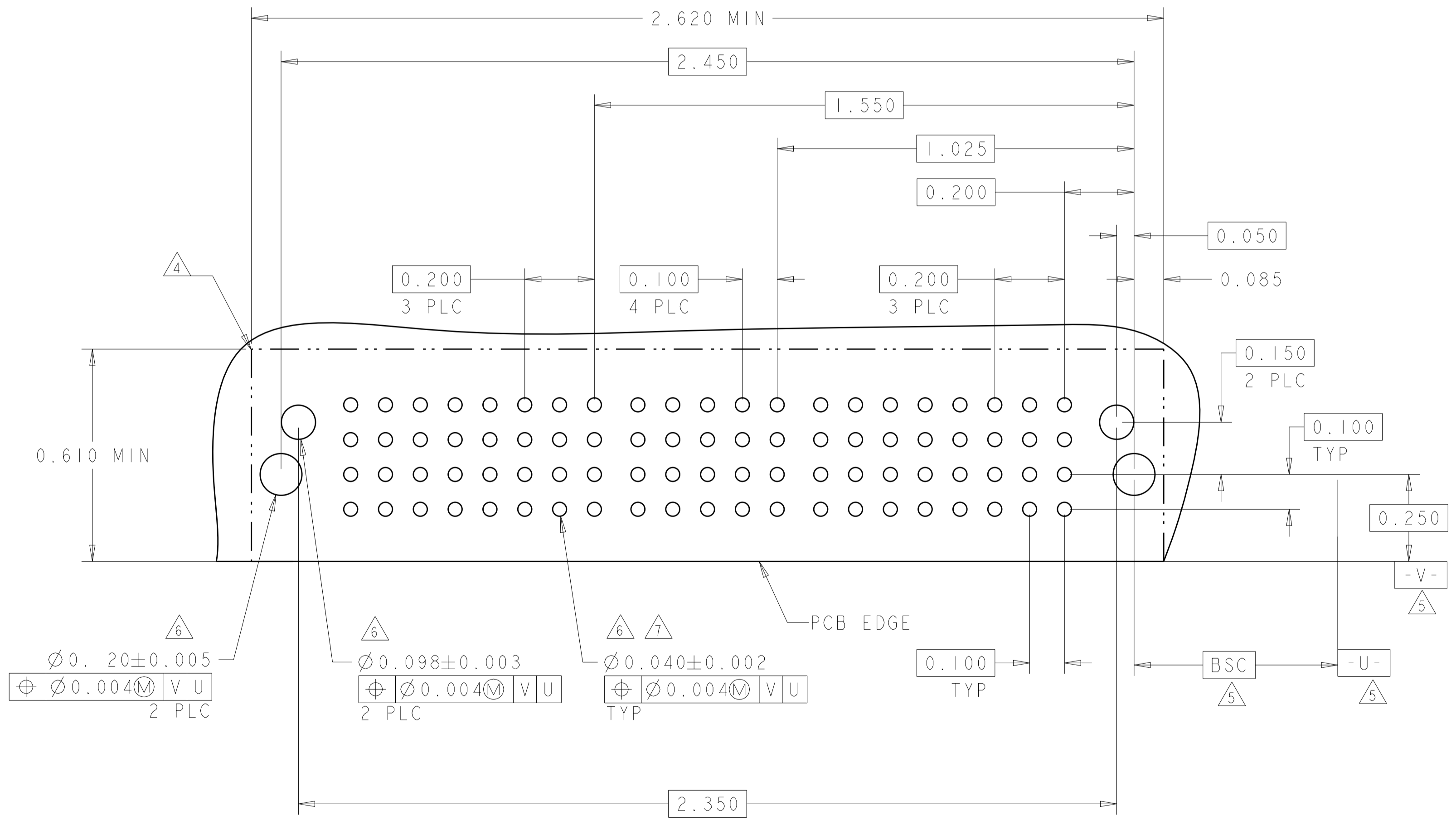
114-13251

100779C=6450880

SCALE 4:1 SHEET 10 OF 13 REV F5

LOC	DIST	REVISIONS					
		P	LTH	DESCRIPTION	DATE	DWN	APVD
ES	00	-	-	SEE SHEET 1	-	-	-

PART NUMBER	ROWS		POWER				SIGNAL					POWER				
			P8	P7	P6	P5	5	4	3	2	1	P4	P3	P2	P1	
1-6450880-9	D	HD	RS	RS	RS	RS	D	D	D	D	D	RS	RS	RS	RS	HD
	C						C	C	C	C						
	B						B	B	B	B						
	A						A	A	A	A						
4HDP + 20S + 4HDP																



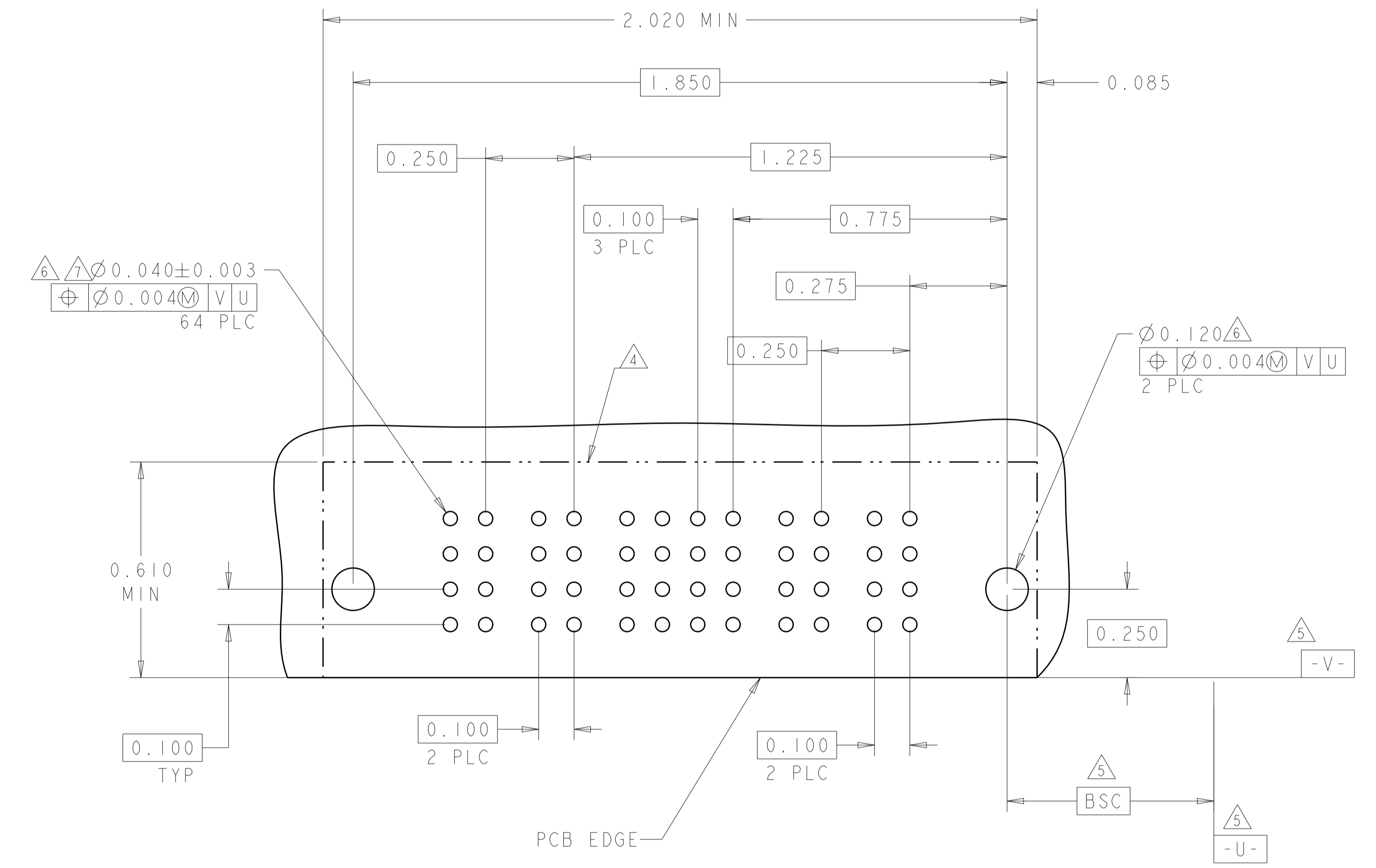
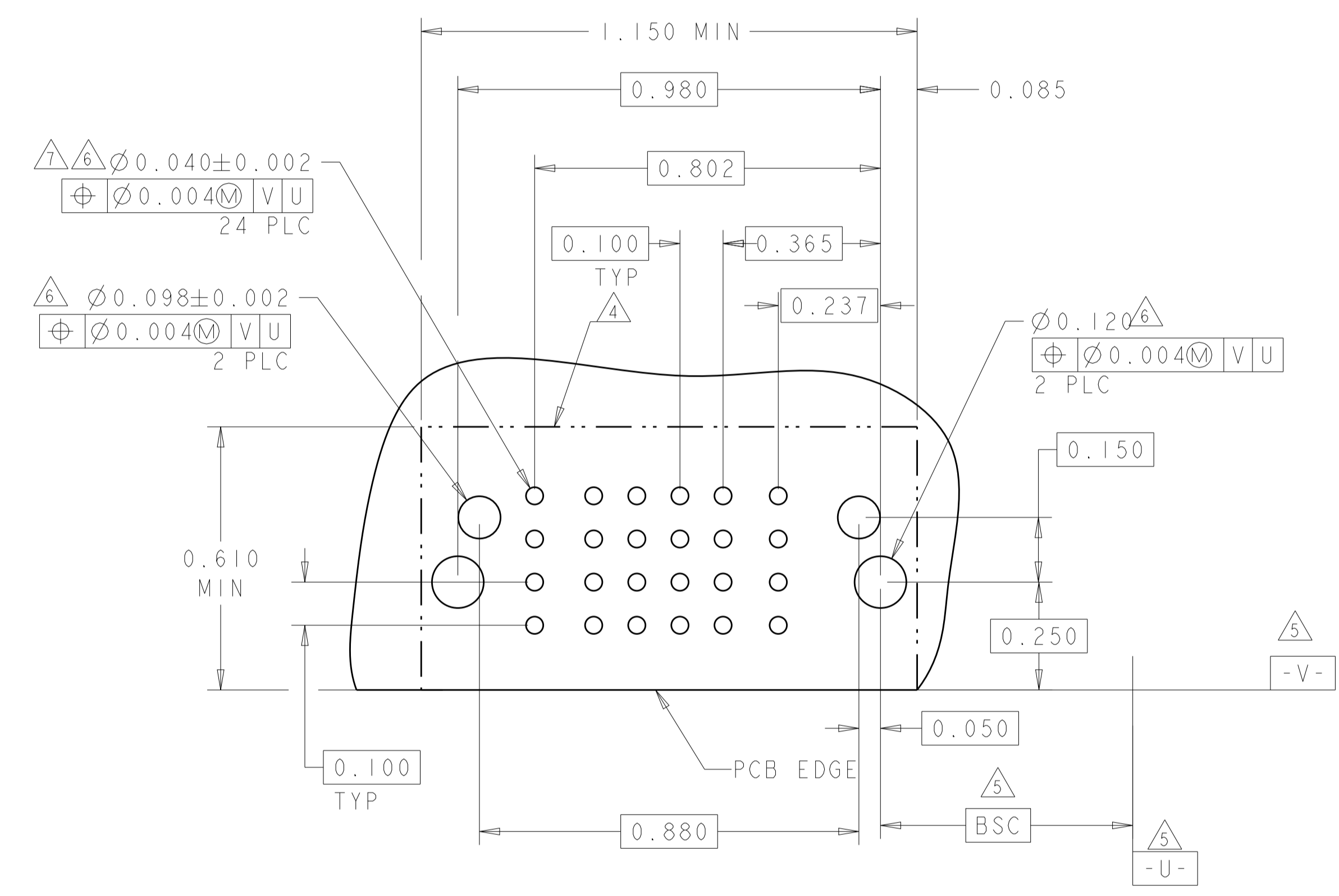
THIS DRAWING IS A CONTROLLED DOCUMENT.		DWN S. ZHAO 25MAY2007	
DIMENSIONS: INCHES		CHK S. ZHAO 25MAY2007	
		APVD S. ZHAO 25MAY2007	
TOLERANCES UNLESS OTHERWISE SPECIFIED: 0 PLC ±. 1 PLC ±.1 2 PLC ±.01 3 PLC ±.005 4 PLC ±.002 ANGLES ±.7°		NAME RIGHT ANGLE RECEPTACLE WITH LP CONTACT AND SHORT END MODULES MULTI-BEAM XLE	
MATERIAL	FINISH	PRODUCT SPEC 108-2292	SIZE CAGE CODE DRAWING NO. A100779C=6450880
CUSTOMER DRAWING		APPLICATION SPEC 114-13251	RESTRICTED TO
		WEIGHT	SCALE 4:1 SHEET 11 OF 13 REV F5

LOC	DIST	REVISIONS			
P	LTH	DESCRIPTION	DATE	DNW	APVD
-	-	SEE SHEET 1	-	-	-

PART NUMBER	ROWS	POWER	SIGNAL				POWER
			P2	4	3	2	
2-6450880-0	D	LS	D	D	D	D	LS
	C		C	C	C		
	B		B	B	B		
	A		A	A	A		
ILP + 16S + ILP							

PART NUMBER	ROWS	POWER	SIGNAL				POWER
			P4	P3	4	3	
2-6450880-6	D	RS	D	D	D	D	RS
	C		C	C	C		
	B		B	B	B		
	A		A	A	A		
2P + 16S + 2P							

E7



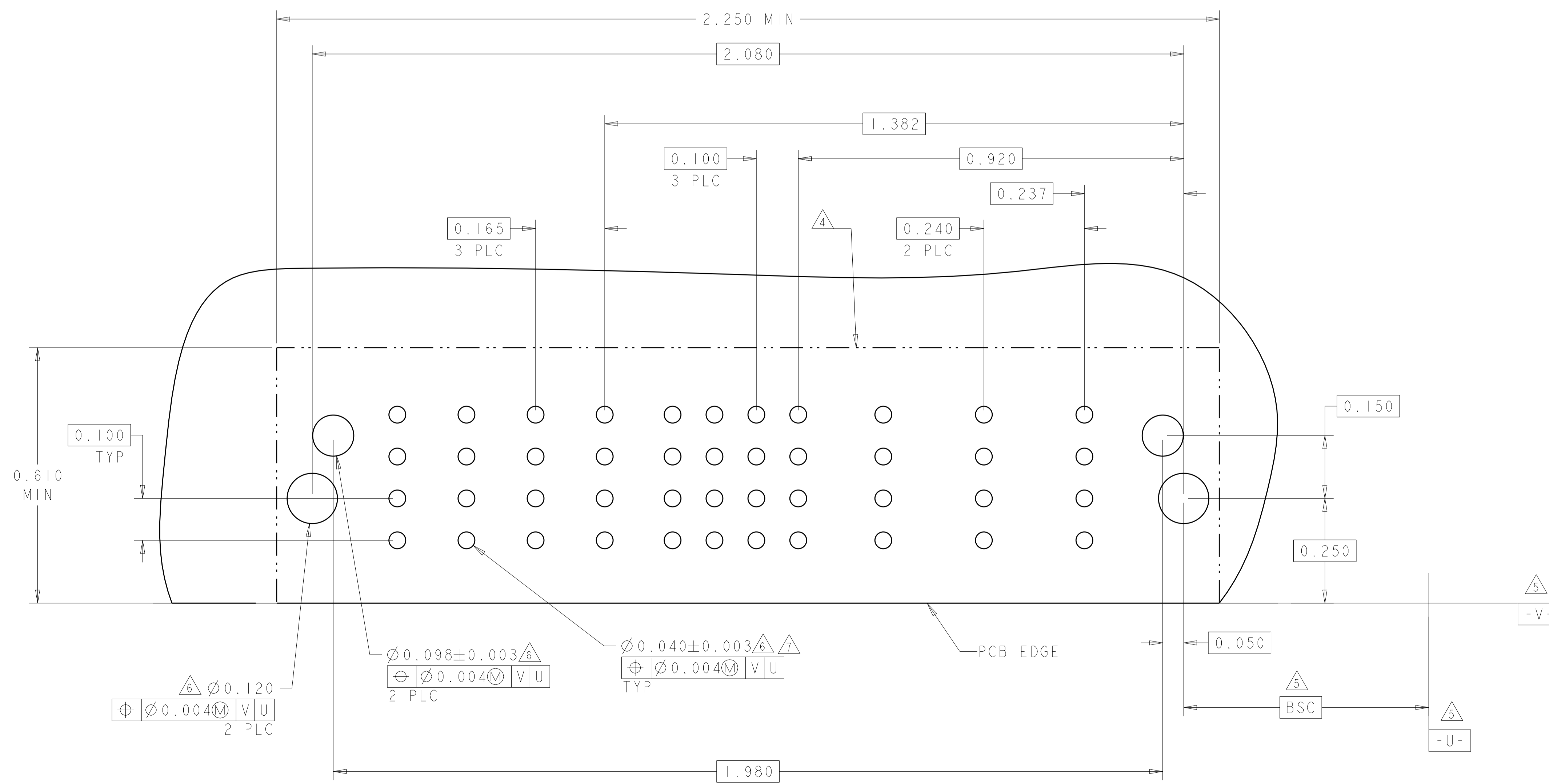
THIS DRAWING IS A CONTROLLED DOCUMENT.

DIMENSIONS:	TOLERANCES UNLESS OTHERWISE SPECIFIED:	DNW S. ZHAO 25MAY2007	 TE Connectivity
INCHES	0 PLC ±.1	CHK S. ZHAO 25MAY2007	
	1 PLC ±.01	APVD S. ZHAO 25MAY2007	
	2 PLC ±.005	NAME	
	3 PLC ±.002	PRODUCT SPEC	RIGHT ANGLE RECEPTACLE WITH LP CONTACT AND SHORT END MODULES MULTI-BEAM XLE
	4 PLC ±.0020	APPLICATION SPEC	
	ANGLES ±.2°	SIZE	
MATERIAL	FINISH	114-13251	
		WEIGHT	
		CUSTOMER DRAWING	

SCALE 4:1 SHEET 12 OF 13 REV F5

LOC	DIST	REVISIONS					
		P.	LTH	DESCRIPTION	DATE	OWN	APVD
ES	00	-	-	SEE SHEET 1	-	-	-

PART NUMBER	ROWS	POWER				SIGNAL				POWER		
		LP7	LP6	LP5	LP4	4	3	2	1	LP3	LP2	LP1
2-6450880-7	D	LS	LS	LS	LS	D	D	D	D	LS	LS	LS
	C					C	C	C				
	B					B	B	B				
	A					A	A	A				
3LP + 16S + 4LP		HD										



THIS DRAWING IS A CONTROLLED DOCUMENT.		OWN: S. ZHAO 25MAY2007	 TE Connectivity
DIMENSIONS: INCHES		CHK: S. ZHAO 25MAY2007	
 TOLERANCES UNLESS OTHERWISE SPECIFIED: 0 PLC ±.1 1 PLC ±.1 2 PLC ±.01 3 PLC ±.005 4 PLC ±.002 ANGLES ±.2°		APVD: S. ZHAO 25MAY2007	
MATERIAL: -		FINISH: -	
NAME: RIGHT ANGLE RECEPTACLE WITH LP CONTACT AND SHORT END MODULES MULTI-BEAM XLE		PRODUCT SPEC: 108-2292	RESTRICTED TO: -
APPLICATION SPEC: 114-13251		SIZE: A1	CAGE CODE: 6450880
CUSTOMER DRAWING		SCALE: 4:1	SHEET 13 OF 13

Компания «Океан Электроники» предлагает заключение долгосрочных отношений при поставках импортных электронных компонентов на взаимовыгодных условиях!

Наши преимущества:

- Поставка оригинальных импортных электронных компонентов напрямую с производств Америки, Европы и Азии, а так же с крупнейших складов мира;
- Широкая линейка поставок активных и пассивных импортных электронных компонентов (более 30 млн. наименований);
- Поставка сложных, дефицитных, либо снятых с производства позиций;
- Оперативные сроки поставки под заказ (от 5 рабочих дней);
- Экспресс доставка в любую точку России;
- Помощь Конструкторского Отдела и консультации квалифицированных инженеров;
- Техническая поддержка проекта, помощь в подборе аналогов, поставка прототипов;
- Поставка электронных компонентов под контролем ВП;
- Система менеджмента качества сертифицирована по Международному стандарту ISO 9001;
- При необходимости вся продукция военного и аэрокосмического назначения проходит испытания и сертификацию в лаборатории (по согласованию с заказчиком);
- Поставка специализированных компонентов военного и аэрокосмического уровня качества (Xilinx, Altera, Analog Devices, Intersil, Interpoint, Microsemi, Actel, Aeroflex, Peregrine, VPT, Syfer, Eurofarad, Texas Instruments, MS Kennedy, Miteq, Cobham, E2V, MA-COM, Hittite, Mini-Circuits, General Dynamics и др.);

Компания «Океан Электроники» является официальным дистрибьютором и эксклюзивным представителем в России одного из крупнейших производителей разъемов военного и аэрокосмического назначения «JONHON», а так же официальным дистрибьютором и эксклюзивным представителем в России производителя высокотехнологичных и надежных решений для передачи СВЧ сигналов «FORSTAR».



## JONHON

«JONHON» (основан в 1970 г.)

Разъемы специального, военного и аэрокосмического назначения:

(Применяются в военной, авиационной, аэрокосмической, морской, железнодорожной, горно- и нефтедобывающей отраслях промышленности)

«FORSTAR» (основан в 1998 г.)

ВЧ соединители, коаксиальные кабели,  
кабельные сборки и микроволновые компоненты:

(Применяются в телекоммуникациях гражданского и специального назначения, в средствах связи, РЛС, а так же военной, авиационной и аэрокосмической отраслях промышленности).



Телефон: 8 (812) 309-75-97 (многоканальный)

Факс: 8 (812) 320-03-32

Электронная почта: [ocean@oceanchips.ru](mailto:ocean@oceanchips.ru)

Web: <http://oceanchips.ru/>

Адрес: 198099, г. Санкт-Петербург, ул. Калинина, д. 2, корп. 4, лит. А