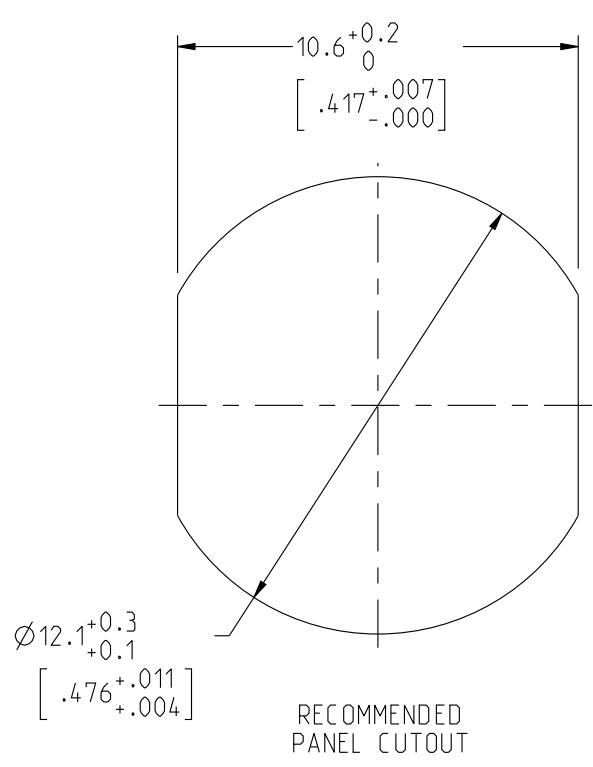


JBXE1C

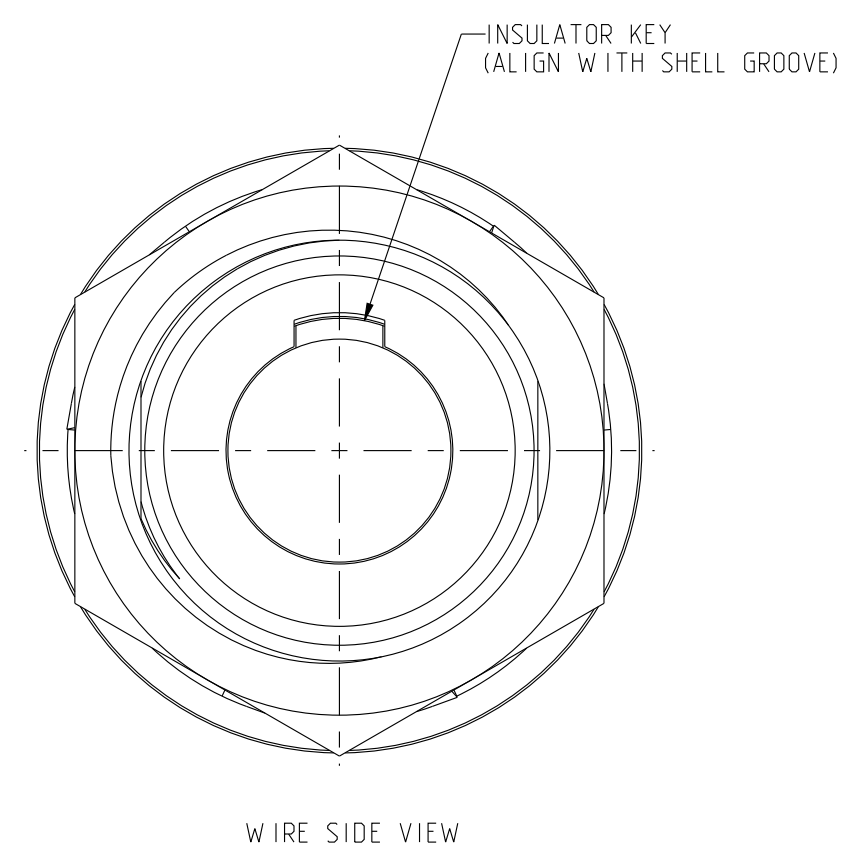
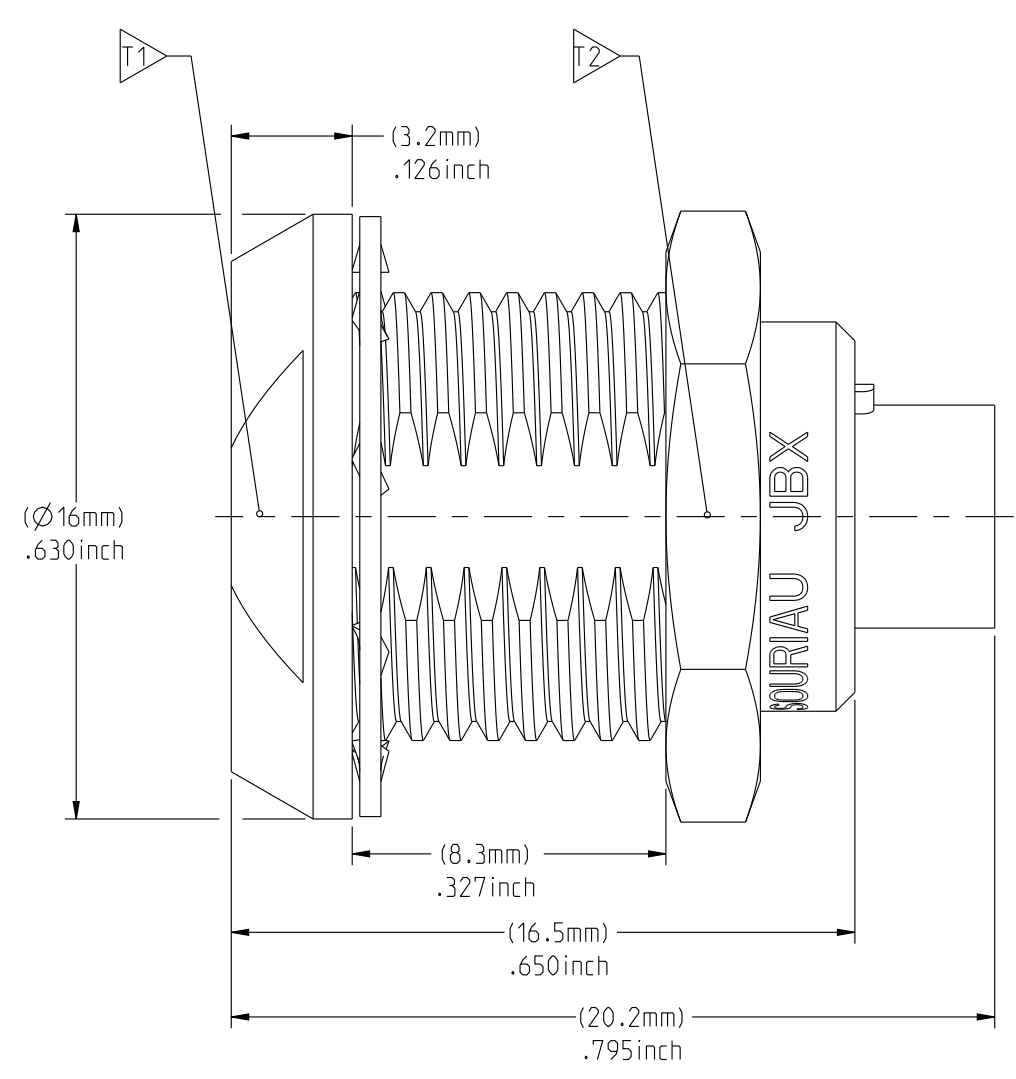
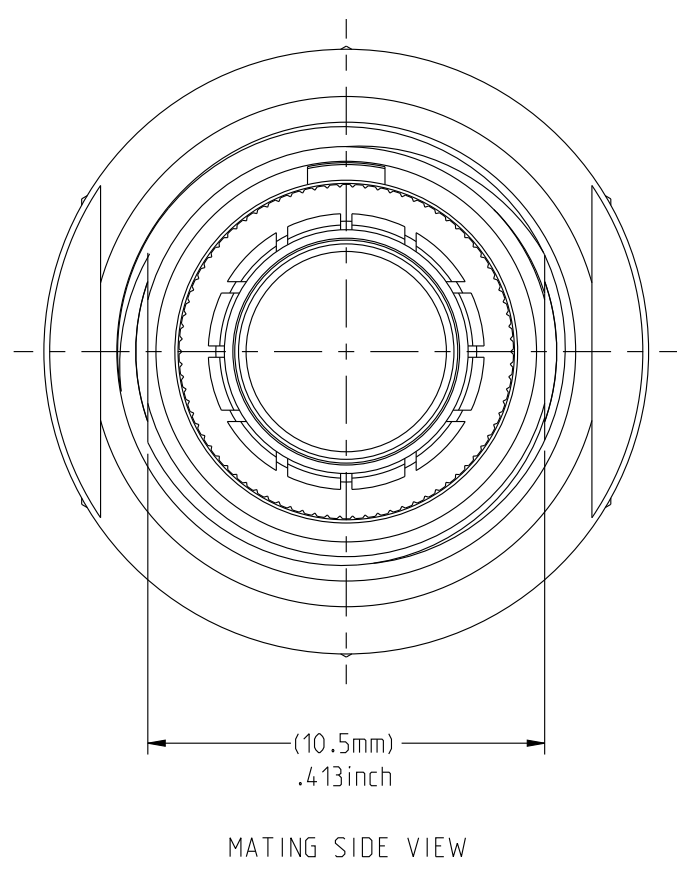
MASS (g)	VOLUME (mm ³)
8.9	1531

ELECTRICAL :
 EMI SHIELDING : SHIELDED FOR THE RANGE 55dB UP TO 100MHz
 INSULATION RESISTANCE : >500MΩ PER ANSI-EIA-364-D METHOD 21
 MAX. CURRENT RATING : SEE INSULATOR DRAWING
 CONNECTOR TESTING : SEE INSULATOR DRAWING
 VOLTAGE
 CONNECTOR WORKING : SEE INSULATOR DRAWING
 VOLTAGE

ENVIRONMENTAL :
 ENDURANCE: 1000 CYCLES AS PER MIL-STD 1344A, METHOD 2016.1
 SHOCK: 50 g , DURATION 6 ms; AS PER MIL-STD 1344A, METHOD 2004.1
 VIBRATIONS: 10 TO 2000Hz g = 20g, AS PER MIL-STD 1344A, METHOD 2005.1
 PROTECTION INDEX: IP 40 AS PER IEC 529
 ROHS COMPLIANT
 SALT MIST : 48hr PER SAE AS 1344 METHOD 1001.1 CEI 529
 OPERATING TEMPERATURE: -55°C TO +125°C (-67°F TO +257°F)



NOTES:
MATERIAL:
 OUTER SHELL & PANEL NUT : BRASS
 SHIELD RING & NUT :
FINISH:
 OUTER SHELL & PANEL NUT : CHROME
 OTHER BRASS PARTS : NICKEL
TOOLS



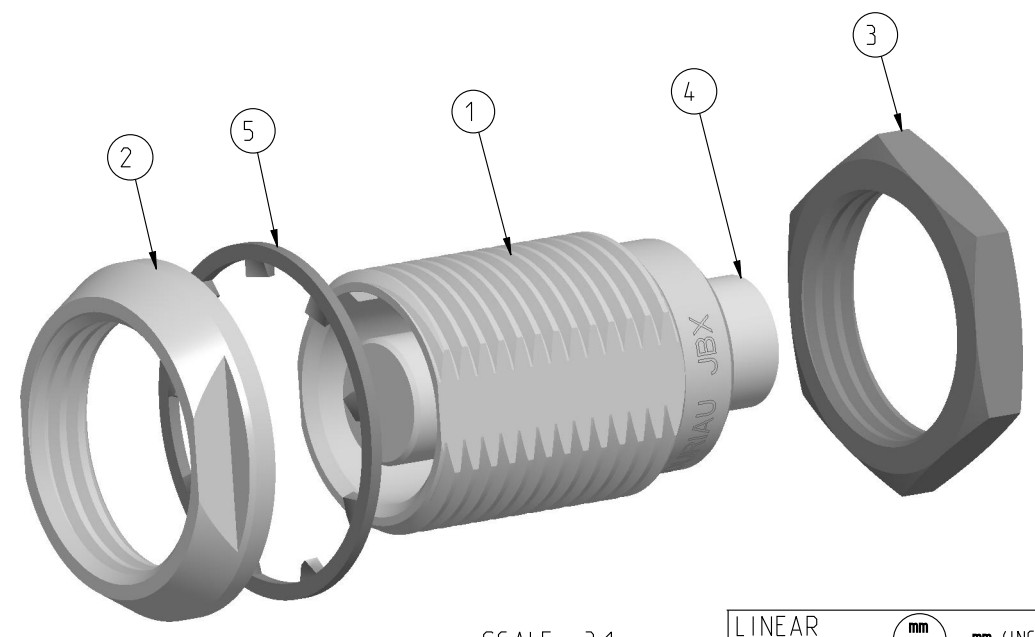
PART LIST	
ITEM NO.	DESCRIPTION
1	SHELL
2	PANEL NUT
3	HEX NUT
4	INSULATOR
5	LOCK WASHER

	TOOLS (JAW DIMENSION)	ADVISED TORQUE IN Nm
T1	13	1.3
T2	14	1.3

CATALOG NUMBER DESCRIPTION

JBX EA 1 XXXXXDX -

BASIC SERIES _____ **OPTION**
SHELL TYPE _____ **INSERT MATERIAL**
SHELL SIZE _____ **COLLET OPTION**
KEYING _____ **SURFACE PLATING**
SEE INSULATOR DRAWING



SCALE 3:1

ORIGIN	COUNTRY	JURISDICTION	CLASSIFICATION
X	FR	Not listed	N/A
	US	EAR	ECCN =EAR99

LINEAR MEASURE: mm (INCH)

THIRD ANGLE PROJECTION

TOLERANCES UNLESS OTHERWISE SPECIFIED

No. OF PLACES	mm [INCH]
WHOLE No.	±0.5 [±.02]
ONE PLACE	±0.2 [±.008]
TWO PLACES	±0.1 [±.004]

ANGLES ±1°

DRAWING TITLE
JBX, SIZE 1, DOUBLE NUT RECEPTACLE

CAT NO. **JBXE1C**

CAGE NO: 09922 SIZE: C

CUSTOMER

SOURIAU
 WWW.SOURIAU.COM

INTERPRET THIS DRAWING IN ACCORDANCE WITH ASME Y14.5M - 1994.

APPROVAL	DRAWN: TJS	01-07-15
	CHKD : EV	01-07-15
	DSGN : EV	01-07-15
	MFG : DH	01-07-15
	QC : BB	01-07-15
	DRAWING SCALE: 5:1	
	DRAWING NO.	REV
	JBXE1C	A

1 OF 1

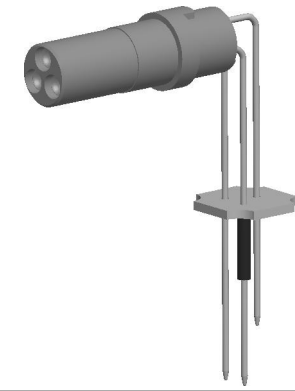
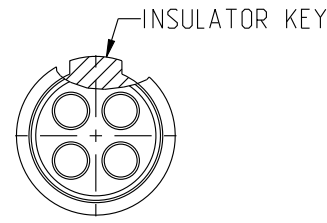
THIS DRAWING IS A CONTROLLED DOCUMENT FOR SOURIAU USA, INC. IT IS SUBJECT TO CHANGE WITHOUT NOTIFICATION. CONTACT THE DOCUMENT CONTROL CENTER FOR THE LATEST REVISION.

THE INFORMATION CONTAINED IN THIS DRAWING IS CONFIDENTIAL AND MAY NOT BE DISCLOSED WITHOUT WRITTEN CONSENT FROM SOURIAU USA, INC.

DWG. NO.
JBX1INSFQC

FEMALE INSULATOR, 90° PCB CONTACT

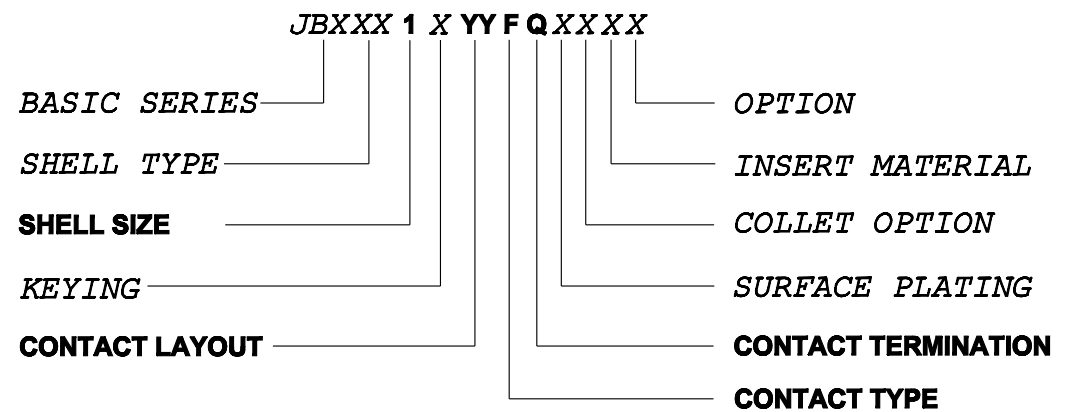
CONTACT LAYOUT	03	04	05
FRONT SIDE VIEW			
REAR SIDE VIEW			
CONTACT			
ISO VIEW			
CONTACT	ØC	1.3	0.9
	ØF	0.58	0.58
	MAX. AWG	-	-
	MAX. CURRENT RATING (A)	15	10
	CONTACT RESISTANCE (mΩ)	3	3.5
INSULATOR	NUMBER OF CAVITY	3	4
	MAX. CURRENT RATING	12	10
	TEST VOLTAGE (Vrms)	1300	1900
	WORKING VOLTAGE (Vdc/Vrms)	600/420	900/630



CONTACTS WILL BE ASSEMBLED TO INSULATOR BEFORE SHIPPING

CONTACT TYPE : F (FEMALE)
CONTACT TERMINATION : Q (90° PCB)
MATERIAL :
 CONTACT: CUPRO NICKEL
 CLIP: COPPER ALLOY
 INSULATOR: PEEK
FINISH :
 CONTACTS : GOLD

CATALOG NUMBER DESCRIPTION



B	REVISED PER ECN 12286	RSK 06-10-15	EV 06-10-15
A	RELEASED PER ECN 12264	TJS 03-10-15	EV 03-10-15
REV	DESCRIPTION	BY DATE	CHKD DATE

DRAWING TITLE
JBX, SIZE 1, FEMALE INSULATOR, 90° PCB CONTACT

CAT NO. **JBX1INSFQ**

CAGE NO: 09922 SIZE: B

CUSTOMER	SOURIAU	APPROVAL	DRAWN: SKV	02-02-15
			CHKD : EV	02-02-15
INTERPRET THIS DRAWING IN ACCORDANCE WITH ASME Y14.5M - 1994.	WWW.SOURIAU.COM		DSGN : EV	02-02-15
			MFG : DH	02-02-15
			QC : BB	02-02-15
			DRAWING SCALE: NA	
			DRAWING NO.	REV
			JBX1INSFQC	B
			1 OF 3	

THIS DRAWING IS A CONTROLLED DOCUMENT FOR SOURIAU USA, INC. IT IS SUBJECT TO CHANGE WITHOUT NOTIFICATION. CONTACT THE DOCUMENT CONTROL CENTER FOR THE LATEST REVISION.

THE INFORMATION CONTAINED IN THIS DRAWING IS CONFIDENTIAL AND MAY NOT BE DISCLOSED WITHOUT WRITTEN CONSENT FROM SOURIAU USA, INC.

ORIGIN	COUNTRY	JURISDICTION	CLASSIFICATION
X	FR	Not listed	N/A
	US	EAR	ECCN =EAR99

These commodities, technology or software are exported from the United States in accordance with the Export Administration Regulations. Diversion contrary to U.S. law is prohibited.

LINEAR MEASURE: $\frac{mm}{INCH}$ mm (INCH)

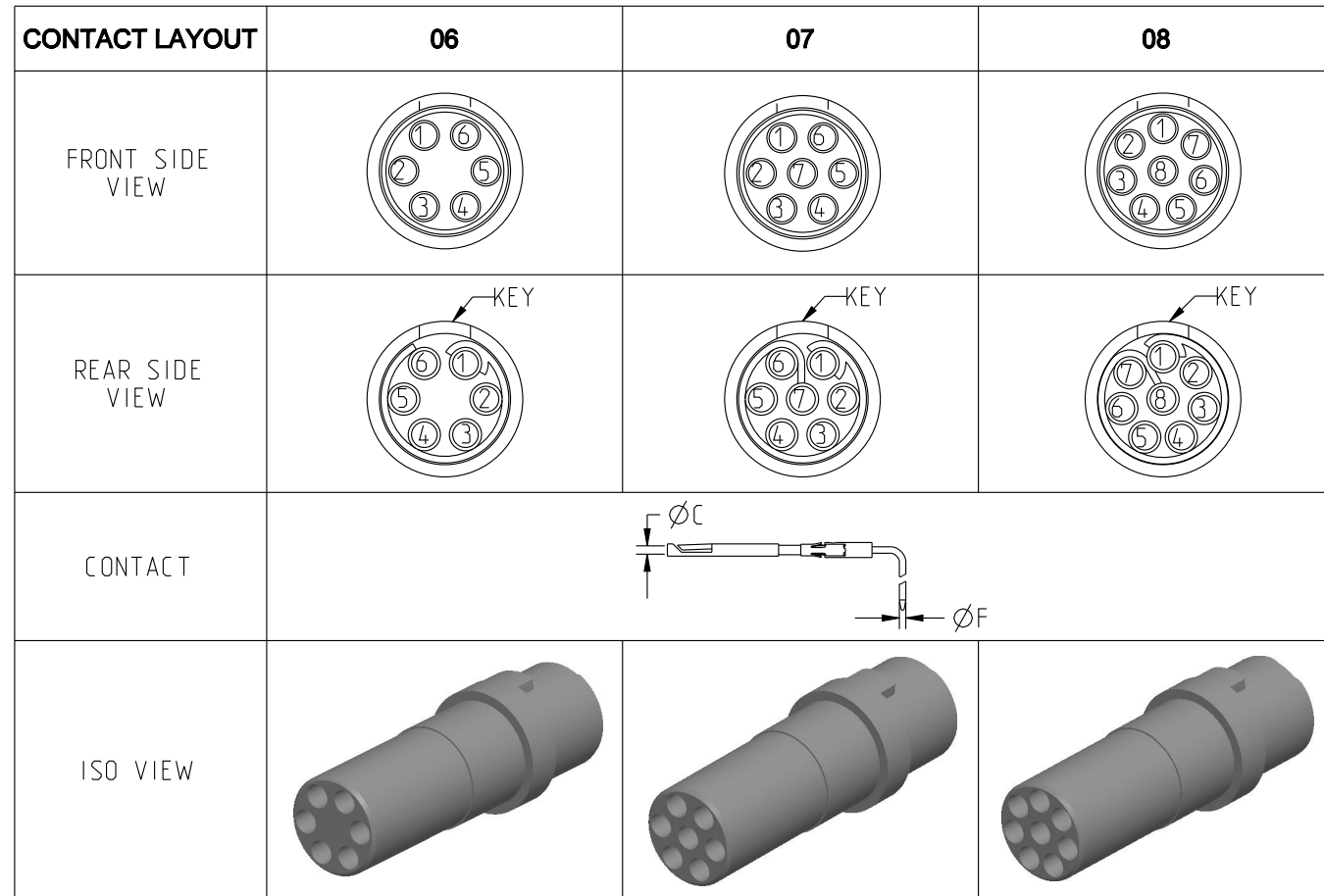
THIRD ANGLE PROJECTION

TOLERANCES UNLESS OTHERWISE SPECIFIED

No. OF PLACES	mm [INCH]
ONE PLACE	±3 [±.1]
TWO PLACES	±0.5 [±.02]
THREE PLACES	±0.25 [±.010]

ANGLES ±1°

DWG. NO.
JBX1INSFQC



CONTACT	ØC	0.7	0.7	0.7
	ØF	0.58	0.58	0.58
	MAX. AWG	-	-	-
	MAX. CURRENT RATING (A)	7	7	7
CONTACT RESISTANCE (mΩ)	5	5	5	
INSULATOR	NUMBER OF CAVITY	6	7	8
	MAX. CURRENT RATING	7	7	5
	TEST VOLTAGE (Vrms)	1400	1400	1200
	WORKING VOLTAGE (Vdc/Vrms)	660/460	660/460	600/420

THIS DRAWING IS A CONTROLLED DOCUMENT FOR SOURIAU USA, INC. IT IS SUBJECT TO CHANGE WITHOUT NOTIFICATION. CONTACT THE DOCUMENT CONTROL CENTER FOR THE LATEST REVISION.

THE INFORMATION CONTAINED IN THIS DRAWING IS CONFIDENTIAL AND MAY NOT BE DISCLOSED WITHOUT WRITTEN CONSENT FROM SOURIAU USA, INC.

B

A

DRAWING TITLE
JBX, SIZE 1, FEMALE INSULATOR, 90° PCB CONTACT

CAT NO. **JBX1INSFQ**

CAGE NO: 09922 SIZE: B

CUSTOMER	SOURIAU	APPROVAL	DRAWN: SKV 02-02-15
		CHKD : EV 02-02-15	DSGN : EV 02-02-15
INTERPRET THIS DRAWING IN ACCORDANCE WITH ASME Y14.5M - 1994.		MFG : DH 02-02-15	DRAWING SCALE: NA
		QC : BB 02-02-15	DRAWING NO. REV
WWW.SOURIAU.COM		JBX1INSFQC	B
		2 OF 3	

LINEAR MEASURE: $\frac{mm}{INCH}$ mm (INCH)

THIRD ANGLE PROJECTION

TOLERANCES UNLESS OTHERWISE SPECIFIED

No. OF PLACES	mm [INCH]
ONE PLACE	±3 [±.1]
TWO PLACES	±0.5 [±.02]
THREE PLACES	±0.25 [±.010]

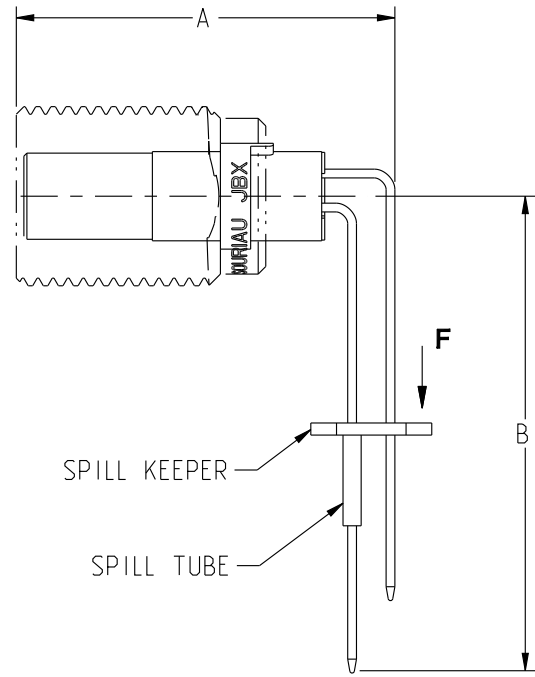
ANGLES ±1°

ORIGIN	COUNTRY	JURISDICTION	CLASSIFICATION
X	FR	Not listed	N/A
	US	EAR	ECCN =EAR99

These commodities, technology or software are exported from the United States in accordance with the Export Administration Regulations. Diversion contrary to U.S. law is prohibited.

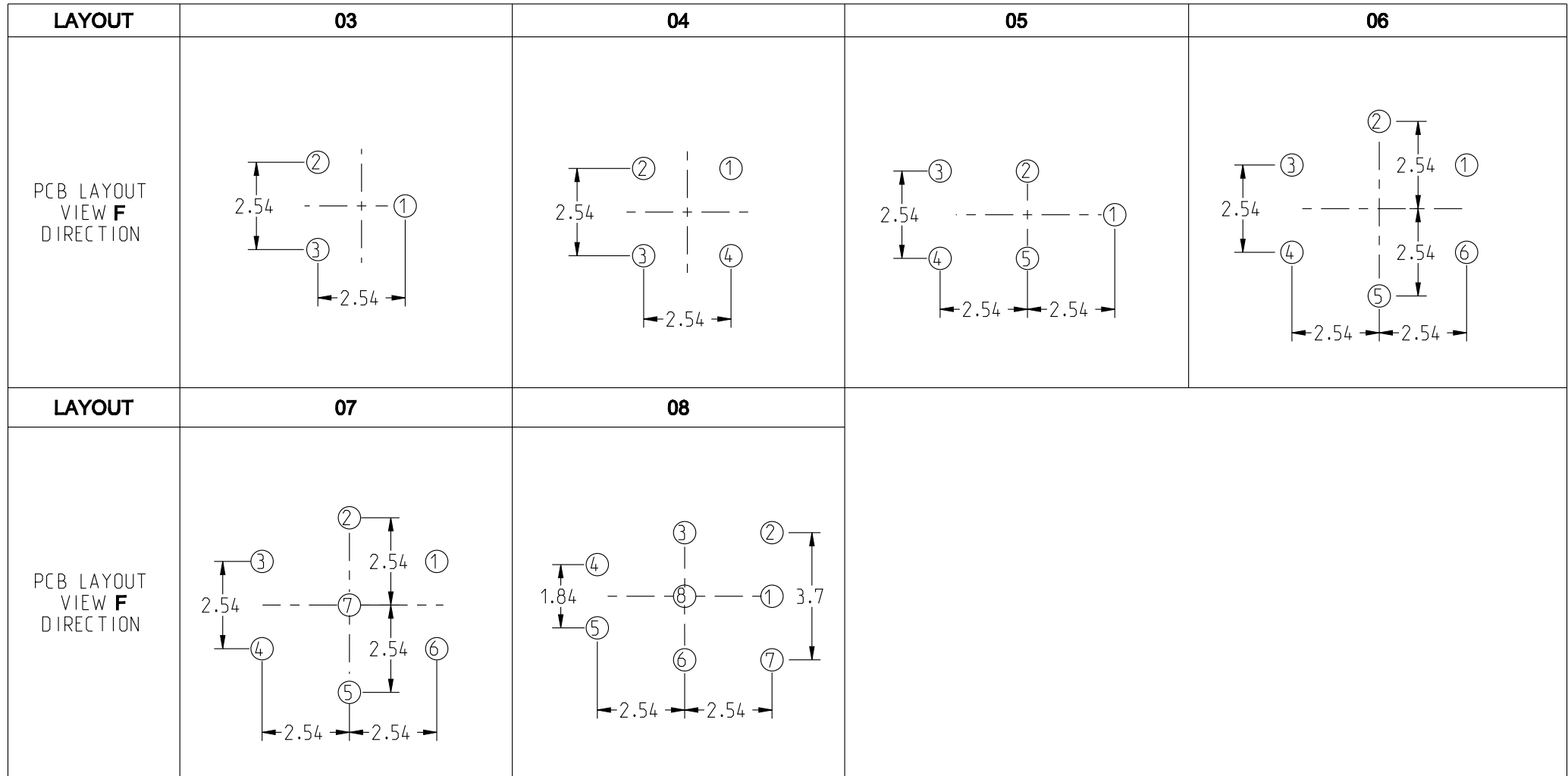
DWG. NO.
JBX11NSFQC

FEMALE INSULATOR, 90° PCB CONTACT



SAMPLE ASSEMBLY FOR INFORMATION

LAYOUT	03	04	05	06	07	08
A	25.0	25.0	27.6	27.6	27.6	27.6
B	31.5	31.8	32.1	32.4	32.4	32.5



1. ALL DIMENSIONS ARE ± 0.05
2. RECOMMENDED FINISHED PCB HOLE SIZE $\varnothing 0.83$ MIN.

THIS DRAWING IS A CONTROLLED DOCUMENT FOR SOURIAU USA, INC. IT IS SUBJECT TO CHANGE WITHOUT NOTIFICATION. CONTACT THE DOCUMENT CONTROL CENTER FOR THE LATEST REVISION.

THE INFORMATION CONTAINED IN THIS DRAWING IS CONFIDENTIAL AND MAY NOT BE DISCLOSED WITHOUT WRITTEN CONSENT FROM SOURIAU USA, INC.

B

A

ORIGIN	COUNTRY	JURISDICTION	CLASSIFICATION
X	FR	Not listed	N/A
	US	EAR	ECCN =EAR99

These commodities, technology or software are exported from the United States in accordance with the Export Administration Regulations. Diversion contrary to U.S. law is prohibited.

LINEAR MEASURE:		$\frac{mm}{INCH}$	mm (INCH)
THIRD ANGLE PROJECTION			
TOLERANCES UNLESS OTHERWISE SPECIFIED			
No. OF PLACES	mm [INCH]		
ONE PLACE	$\pm 3 [\pm .1]$		
TWO PLACES	$\pm 0.5 [\pm .02]$		
THREE PLACES	$\pm 0.25 [\pm .010]$		
ANGLES $\pm 1^\circ$			

DRAWING TITLE			
JBX, SIZE 1, FEMALE INSULATOR, 90° PCB CONTACT			
CAT NO. JBX11NSFQ			
CAGE NO: 09922		SIZE: B	
CUSTOMER		SOURIAU	
INTERPRET THIS DRAWING IN ACCORDANCE WITH ASME Y14.5M - 1994.		WWW.SOURIAU.COM	
APPROVAL	DRAWN: TJS	02-02-15	
	CHKD : EV	02-02-15	
	DSGN : EV	02-02-15	
	MFG : DH	02-02-15	
	QC : BB	02-02-15	
DRAWING SCALE: NA			
DRAWING NO. JBX11NSFQC		REV B	
3 OF 3			

Mouser Electronics

Authorized Distributor

Click to View Pricing, Inventory, Delivery & Lifecycle Information:

Souriau:

[JBXEA1G04FQSDS](#) [JBXEA1G05FQSDS](#) [JBXEA1G06FQSDS](#) [JBXEA1G07FQSDS](#) [JBXEA1G08FQSDS](#)
[JBXEA1G03FQSDS](#)

Компания «Океан Электроники» предлагает заключение долгосрочных отношений при поставках импортных электронных компонентов на взаимовыгодных условиях!

Наши преимущества:

- Поставка оригинальных импортных электронных компонентов напрямую с производств Америки, Европы и Азии, а так же с крупнейших складов мира;
- Широкая линейка поставок активных и пассивных импортных электронных компонентов (более 30 млн. наименований);
- Поставка сложных, дефицитных, либо снятых с производства позиций;
- Оперативные сроки поставки под заказ (от 5 рабочих дней);
- Экспресс доставка в любую точку России;
- Помощь Конструкторского Отдела и консультации квалифицированных инженеров;
- Техническая поддержка проекта, помощь в подборе аналогов, поставка прототипов;
- Поставка электронных компонентов под контролем ВП;
- Система менеджмента качества сертифицирована по Международному стандарту ISO 9001;
- При необходимости вся продукция военного и аэрокосмического назначения проходит испытания и сертификацию в лаборатории (по согласованию с заказчиком);
- Поставка специализированных компонентов военного и аэрокосмического уровня качества (Xilinx, Altera, Analog Devices, Intersil, Interpoint, Microsemi, Actel, Aeroflex, Peregrine, VPT, Syfer, Eurofarad, Texas Instruments, MS Kennedy, Miteq, Cobham, E2V, MA-COM, Hittite, Mini-Circuits, General Dynamics и др.);

Компания «Океан Электроники» является официальным дистрибьютором и эксклюзивным представителем в России одного из крупнейших производителей разъемов военного и аэрокосмического назначения «JONHON», а так же официальным дистрибьютором и эксклюзивным представителем в России производителя высокотехнологичных и надежных решений для передачи СВЧ сигналов «FORSTAR».



JONHON

«JONHON» (основан в 1970 г.)

Разъемы специального, военного и аэрокосмического назначения:

(Применяются в военной, авиационной, аэрокосмической, морской, железнодорожной, горно- и нефтедобывающей отраслях промышленности)

«FORSTAR» (основан в 1998 г.)

ВЧ соединители, коаксиальные кабели, кабельные сборки и микроволновые компоненты:

(Применяются в телекоммуникациях гражданского и специального назначения, в средствах связи, РЛС, а так же военной, авиационной и аэрокосмической отраслях промышленности).



Телефон: 8 (812) 309-75-97 (многоканальный)

Факс: 8 (812) 320-03-32

Электронная почта: ocean@oceanchips.ru

Web: <http://oceanchips.ru/>

Адрес: 198099, г. Санкт-Петербург, ул. Калинина, д. 2, корп. 4, лит. А