

**QUADRUPLE 3-STATE BUFFERS OE HIGH**

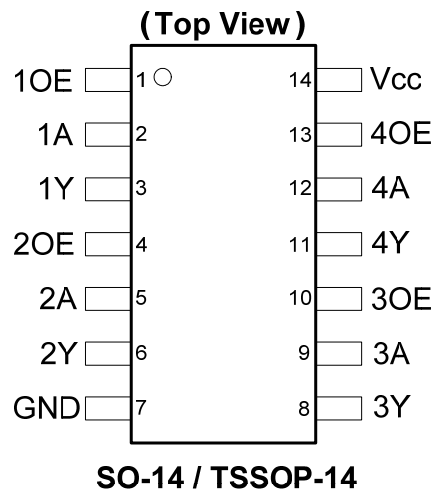
**Description**

The 74HCT126 provides provides four independent buffer gates with 3-state outputs. Each buffer has a separate enable pin that if driven with a low logic level places the corresponding output in the high impedance state. The device is designed for operation with a power supply range of 4.5V to 5.5V.

**Features**

- Wide Supply Voltage Range from 4.5V to 5.5V
- Pin Compatible with Low Power Schottky (LSTTL)
- Inputs Are TTL Voltage Level Compatible
- Sinks or sources 4mA at V<sub>CC</sub> = 4.5V
- CMOS low power consumption
- Schmitt Trigger Action at All Inputs
- ESD Protection Exceeds JESD 22
  - 200-V Machine Model (A115-A)
  - 2000-V Human Body Model (A114-A)
  - Exceeds 1000-V Charged Device Model (C101C)
- Range of Package Options SO-14 and TSSOP-14
- **Totally Lead-Free & Fully RoHS Compliant (Notes 1 & 2)**
- **Halogen and Antimony Free. "Green" Device (Note 3)**

**Pin Assignments**



**Applications**

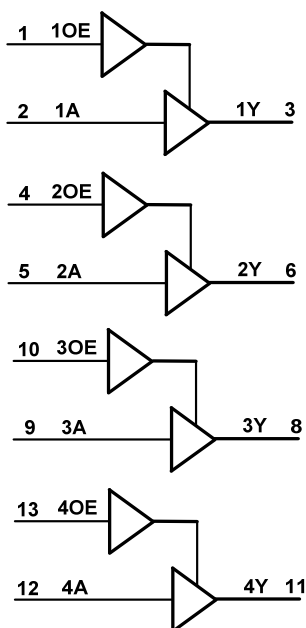
- General Purpose Logic
- Wide array of products such as:
  - PCs, networking, notebooks, netbooks
  - Computer peripherals, hard drives, CD/DVD ROM
  - TV, DVD, DVR, set top box

Notes: 1. No purposely added lead. Fully EU Directive 2002/95/EC (RoHS) & 2011/65/EU (RoHS 2) compliant.  
 2. See <http://www.diodes.com> for more information about Diodes Incorporated's definitions of Halogen- and Antimony-free, "Green" and Lead-free.  
 3. Halogen- and Antimony-free "Green" products are defined as those which contain <900ppm bromine, <900ppm chlorine (<1500ppm total Br + Cl) and <1000ppm antimony compounds.

## Pin Descriptions

| Pin Number | Pin Name        | Description                     |
|------------|-----------------|---------------------------------|
| 1          | 1OE             | Data Enable Input (active high) |
| 2          | 1A              | Data Input                      |
| 3          | 1Y              | Data Output                     |
| 4          | 2OE             | Data Enable Input (active high) |
| 5          | 2A              | Data Input                      |
| 6          | 2Y              | Data Output                     |
| 7          | GND             | Ground                          |
| 8          | 3Y              | Data Output                     |
| 9          | 3A              | Data Input                      |
| 10         | 3OE             | Data Enable Input (active high) |
| 11         | 4Y              | Data Output                     |
| 12         | 4A              | Data Input                      |
| 13         | 4OE             | Data Enable Input (active high) |
| 14         | V <sub>CC</sub> | Supply Voltage                  |

## Logic Diagram



## Function Table

| Inputs |   | Output |
|--------|---|--------|
| OE     | A | Y      |
| H      | H | H      |
| H      | L | L      |
| L      | X | Z      |

### Absolute Maximum Ratings (Note 4) (@T<sub>A</sub> = +25°C, unless otherwise specified.)

| Symbol           | Description                                                                           | Rating       | Unit |
|------------------|---------------------------------------------------------------------------------------|--------------|------|
| ESD HBM          | Human Body Model ESD Protection                                                       | 2            | KV   |
| ESD CDM          | Charged Device Model ESD Protection                                                   | 1            | KV   |
| ESD MM           | Machine Model ESD Protection                                                          | 200          | V    |
| V <sub>CC</sub>  | Supply Voltage Range                                                                  | -0.5 to +7.0 | V    |
| V <sub>I</sub>   | Input Voltage Range (Note 5)                                                          | -0.5 to +7.0 | V    |
| I <sub>IK</sub>  | Input Clamp Current V <sub>I</sub> < -0.5V or V <sub>I</sub> > V <sub>CC</sub> +0.5V  | ±20          | mA   |
| I <sub>OK</sub>  | Output Clamp Current V <sub>O</sub> < -0.5V or V <sub>O</sub> > V <sub>CC</sub> +0.5V | ±20          | mA   |
| I <sub>O</sub>   | Continuous Output Current -0.5V < V <sub>O</sub> < V <sub>CC</sub> +0.5V              | +/-25        | mA   |
| I <sub>CC</sub>  | Continuous Current Through V <sub>CC</sub>                                            | 50           | mA   |
| I <sub>GND</sub> | Continuous Current Through GND                                                        | -50          | mA   |
| T <sub>J</sub>   | Operating Junction Temperature                                                        | -40 to +150  | °C   |
| T <sub>STG</sub> | Storage Temperature                                                                   | -65 to +150  | °C   |
| P <sub>TOT</sub> | Total Power Dissipation                                                               | 500          | mW   |

Notes: 4. Stresses beyond the absolute maximum may result in immediate failure or reduced reliability. These are stress values and device operation should be within recommend values.  
5. Input Voltage cannot exceed V<sub>CC</sub> to the extent the Maximum clamp current is exceeded.

### Recommended Operating Conditions (Note 6) (@T<sub>A</sub> = +25°C, unless otherwise specified.)

| Symbol          | Parameter                          | Conditions                     | Min | Max             | Unit |
|-----------------|------------------------------------|--------------------------------|-----|-----------------|------|
| V <sub>CC</sub> | Supply Voltage                     |                                | 4.5 | 5.5             | V    |
| V <sub>I</sub>  | Input Voltage                      |                                | 0   | V <sub>CC</sub> | V    |
| V <sub>O</sub>  | Output Voltage                     |                                | 0   | V <sub>CC</sub> | V    |
| Δt/ΔV           | Input Transition Rise or Fall Rate | V <sub>CC</sub> = 4.5V to 5.5V |     | 500             | ns/V |
| T <sub>A</sub>  | Operating Free-Air Temperature     |                                | -40 | +125            | °C   |

Note: 6. Unused inputs should be held at V<sub>CC</sub> or Ground.

### Electrical Characteristics (@T<sub>A</sub> = +25°C, unless otherwise specified.)

| Symbol           | Parameter                 | Test Conditions                                                            | V <sub>CC</sub> | T <sub>A</sub> = -40°C to +85°C |       | T <sub>A</sub> = -40°C to +125°C |      | Unit |
|------------------|---------------------------|----------------------------------------------------------------------------|-----------------|---------------------------------|-------|----------------------------------|------|------|
|                  |                           |                                                                            |                 | Min                             | Max   | Min                              | Max  |      |
| V <sub>IH</sub>  | High-level Input Voltage  |                                                                            | 4.5V to 5.5V    | 2.0                             |       | 2.0                              |      | V    |
| V <sub>IL</sub>  | Low-level Input Voltage   |                                                                            | 4.5V to 5.5V    |                                 | 0.8   |                                  | 0.8  | V    |
| V <sub>OH</sub>  | High-level Output Voltage | I <sub>OH</sub> = -20μA                                                    | 4.5V            | 4.4                             |       | 4.4                              |      | V    |
|                  |                           | I <sub>OH</sub> = -4mA                                                     | 4.5V            | 3.84                            |       | 3.70                             |      |      |
| V <sub>OL</sub>  | Low-level Output Voltage  | I <sub>OL</sub> = 20μA                                                     | 4.5V            |                                 | 0.1   |                                  | 0.1  | V    |
|                  |                           | I <sub>OL</sub> = 4.0mA                                                    | 4.5V            |                                 | 0.33  |                                  | 0.4  |      |
| I <sub>oz</sub>  | Z State Leakage Current   | V <sub>O</sub> = 0 to 5.5V                                                 | 5.5V            |                                 | ± 5.0 |                                  | ± 10 | μA   |
| I <sub>I</sub>   | Input Current             | V <sub>I</sub> = GND to 6.0V                                               | 6.0V            |                                 | ± 1   |                                  | ± 1  | μA   |
| I <sub>CC</sub>  | Supply Current            | V <sub>I</sub> = GND or V <sub>CC</sub> , I <sub>O</sub> = 0               | 6.0V            |                                 | 20    |                                  | 40   | μA   |
| ΔI <sub>CC</sub> | Additional Supply Current | One Input at V <sub>CC</sub> -2.1V<br>Other Pins at V <sub>CC</sub> or GND | 4.5V to 5.5V    |                                 | 675   |                                  | 735  | μA   |

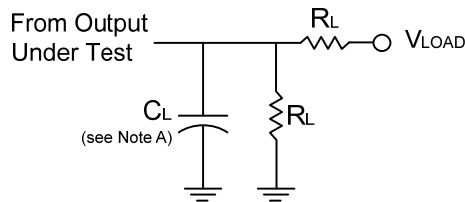
**Switching Characteristics**

| Symbol           | Parameter                                          | Test Conditions                   | V <sub>CC</sub> | T <sub>A</sub> = +25°C |     |     | -40°C to +85°C | -40°C to +125°C | Unit |
|------------------|----------------------------------------------------|-----------------------------------|-----------------|------------------------|-----|-----|----------------|-----------------|------|
|                  |                                                    |                                   |                 | Min                    | Typ | Max | Max            | Max             |      |
| t <sub>PD</sub>  | Propagation Delay A <sub>N</sub> to Y <sub>N</sub> | Figure 1<br>C <sub>L</sub> = 50pF | 4.5V            | —                      | 15  | 25  | 31             | 38              | ns   |
| t <sub>EN</sub>  | Enable Time O <sub>EN</sub> to Y <sub>N</sub>      |                                   |                 | —                      | 15  | 28  | 35             | 42              | ns   |
| t <sub>DIS</sub> | Disable Time O <sub>EN</sub> to Y <sub>N</sub>     |                                   |                 | —                      | 15  | 25  | 31             | 38              | ns   |
| t <sub>t</sub>   | Transition Time                                    |                                   |                 | —                      | 5   | 12  | 15             | 18              | ns   |

**Operating Characteristics** (@T<sub>A</sub> = +25°C, unless otherwise specified.)

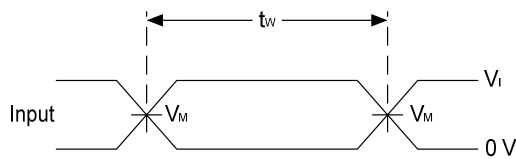
| Parameter       |                                        | Test Conditions                           | V <sub>CC</sub> = 5.5V | Unit |
|-----------------|----------------------------------------|-------------------------------------------|------------------------|------|
|                 |                                        |                                           | Typ                    |      |
| C <sub>pd</sub> | Power dissipation capacitance per gate | f = 1MHz                                  | 24                     | pF   |
| C <sub>i</sub>  | Input Capacitance                      | V <sub>i</sub> = V <sub>CC</sub> – or GND | 3.5                    | pF   |

**Parameter Measurement Information**

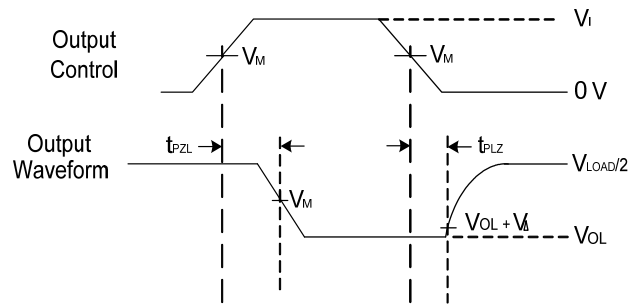


| TEST                                 | Condition         |
|--------------------------------------|-------------------|
| t <sub>PLZ</sub> (see Notes D and E) | V <sub>load</sub> |
| t <sub>PZL</sub> (see Notes D and F) | V <sub>load</sub> |

| V <sub>CC</sub> | Inputs         |                                | V <sub>M</sub> | V <sub>LOAD</sub>   | C <sub>L</sub> | R <sub>L</sub> | V <sub>Δ</sub>         |
|-----------------|----------------|--------------------------------|----------------|---------------------|----------------|----------------|------------------------|
|                 | V <sub>i</sub> | t <sub>r</sub> /t <sub>f</sub> |                |                     |                |                |                        |
| 4.5V            | 1.5V           | ≤6ns                           | 3.0V           | 2 X V <sub>CC</sub> | 50pF           | 2KΩ            | 10% of V <sub>CC</sub> |



**Voltage Waveform Pulse Duration**

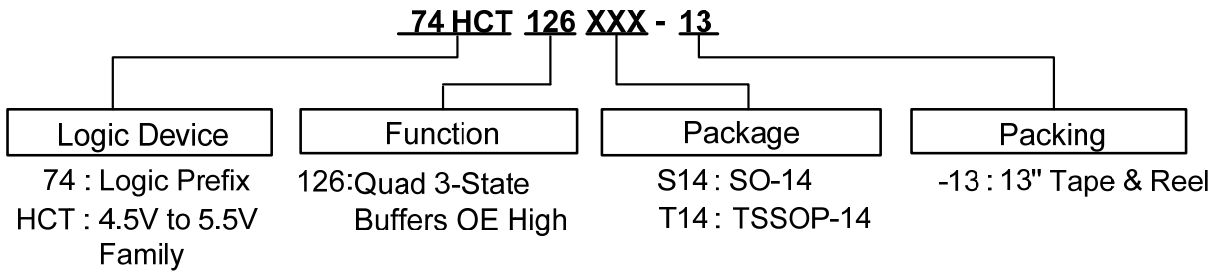


**Voltage Waveform Propagation Delay Times**

- Notes:
- A. Includes test lead and test apparatus capacitance.
  - B. All pulses are supplied at pulse repetition rate ≤ 1 MHz.
  - C. The inputs are measured one at a time with one transition per measurement.
  - D. For the open drain device t<sub>PLZ</sub> and t<sub>PZL</sub> are the same as t<sub>PD</sub>.
  - E. t<sub>PZL</sub> is measured at V<sub>M</sub>.
  - D. t<sub>PLZ</sub> is measured at V<sub>OL</sub> + V<sub>Δ</sub>.
  - F. A Thevenin equivalent load may be used in place of V<sub>CC</sub> X 2 and resistor divider.

**Figure 1 Load Circuit and Voltage Waveforms**

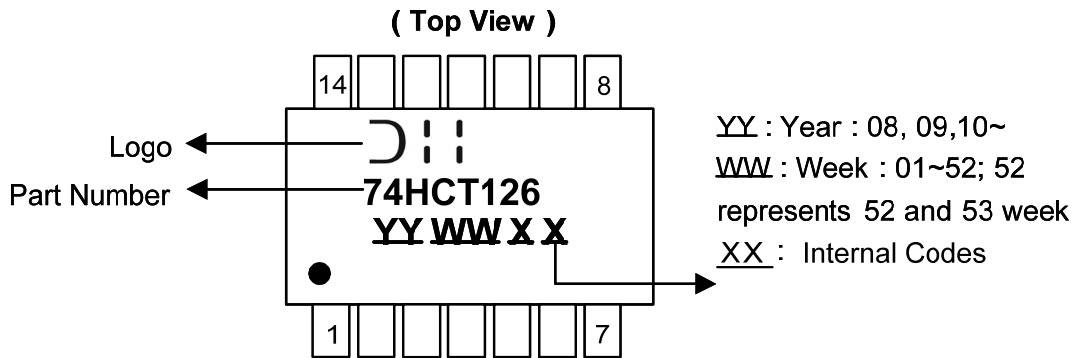
**Ordering Information**



| Device         | Package Code | Packaging | 7" Tape and Reel |                    |
|----------------|--------------|-----------|------------------|--------------------|
|                |              |           | Quantity         | Part Number Suffix |
| 74HCT126S14-13 | S14          | SO-14     | 2500/Tape & Reel | -13                |
| 74HCT126T14-13 | T14          | TSSOP-14  | 2500/Tape & Reel | -13                |

**Marking Information**

(1) SO-14, TSSOP-14

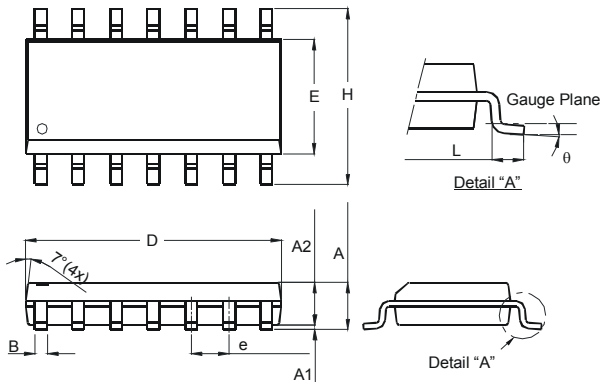


| Part Number | Package  |
|-------------|----------|
| 74HCT126S14 | SO-14    |
| 74HCT126T14 | TSSOP-14 |

**Package Outline Dimensions** (All dimensions in mm.)

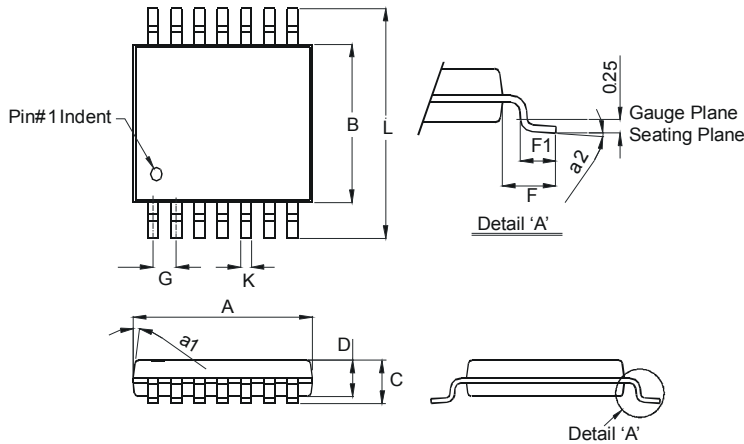
Please see AP02002 at <http://www.diodes.com/datasheets/ap02002.pdf> for latest version.

**Package Type: SO-14**



| SO-14                       |          |      |
|-----------------------------|----------|------|
| Dim                         | Min      | Max  |
| A                           | 1.47     | 1.73 |
| A1                          | 0.10     | 0.25 |
| A2                          | 1.45 Typ |      |
| B                           | 0.33     | 0.51 |
| D                           | 8.53     | 8.74 |
| E                           | 3.80     | 3.99 |
| e                           | 1.27 Typ |      |
| H                           | 5.80     | 6.20 |
| L                           | 0.38     | 1.27 |
| θ                           | 0°       | 8°   |
| <b>All Dimensions in mm</b> |          |      |

**Package Type: TSSOP-14**

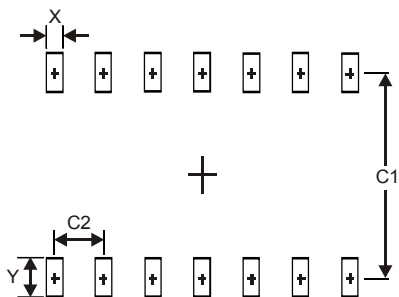


| TSSOP-14                    |          |      |
|-----------------------------|----------|------|
| Dim                         | Min      | Max  |
| a1                          | 7° (4X)  |      |
| a2                          | 0°       | 8°   |
| A                           | 4.9      | 5.10 |
| B                           | 4.30     | 4.50 |
| C                           | —        | 1.2  |
| D                           | 0.8      | 1.05 |
| F                           | 1.00 Typ |      |
| F1                          | 0.45     | 0.75 |
| G                           | 0.65 Typ |      |
| K                           | 0.19     | 0.30 |
| L                           | 6.40 Typ |      |
| <b>All Dimensions in mm</b> |          |      |

## Suggested Pad Layout

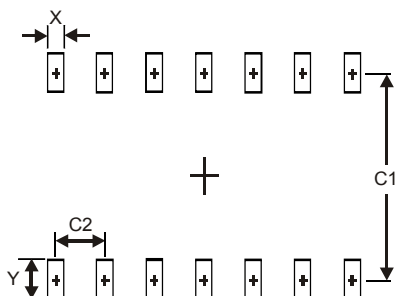
Please see AP02001 at <http://www.diodes.com/datasheets/ap02001.pdf> for latest version.

### Package Type: SO-14



| Dimensions | Value (in mm) |
|------------|---------------|
| X          | 0.60          |
| Y          | 1.50          |
| C1         | 5.4           |
| C2         | 1.27          |

### Package Type: TSSOP-14



| Dimensions | Value (in mm) |
|------------|---------------|
| X          | 0.45          |
| Y          | 1.45          |
| C1         | 5.9           |
| C2         | 0.65          |

**IMPORTANT NOTICE**

DIODES INCORPORATED MAKES NO WARRANTY OF ANY KIND, EXPRESS OR IMPLIED, WITH REGARDS TO THIS DOCUMENT, INCLUDING, BUT NOT LIMITED TO, THE IMPLIED WARRANTIES OF MERCHANTABILITY AND FITNESS FOR A PARTICULAR PURPOSE (AND THEIR EQUIVALENTS UNDER THE LAWS OF ANY JURISDICTION).

Diodes Incorporated and its subsidiaries reserve the right to make modifications, enhancements, improvements, corrections or other changes without further notice to this document and any product described herein. Diodes Incorporated does not assume any liability arising out of the application or use of this document or any product described herein; neither does Diodes Incorporated convey any license under its patent or trademark rights, nor the rights of others. Any Customer or user of this document or products described herein in such applications shall assume all risks of such use and will agree to hold Diodes Incorporated and all the companies whose products are represented on Diodes Incorporated website, harmless against all damages.

Diodes Incorporated does not warrant or accept any liability whatsoever in respect of any products purchased through unauthorized sales channel. Should Customers purchase or use Diodes Incorporated products for any unintended or unauthorized application, Customers shall indemnify and hold Diodes Incorporated and its representatives harmless against all claims, damages, expenses, and attorney fees arising out of, directly or indirectly, any claim of personal injury or death associated with such unintended or unauthorized application.

Products described herein may be covered by one or more United States, international or foreign patents pending. Product names and markings noted herein may also be covered by one or more United States, international or foreign trademarks.

This document is written in English but may be translated into multiple languages for reference. Only the English version of this document is the final and determinative format released by Diodes Incorporated.

**LIFE SUPPORT**

Diodes Incorporated products are specifically not authorized for use as critical components in life support devices or systems without the express written approval of the Chief Executive Officer of Diodes Incorporated. As used herein:

A. Life support devices or systems are devices or systems which:

1. are intended to implant into the body, or
2. support or sustain life and whose failure to perform when properly used in accordance with instructions for use provided in the labeling can be reasonably expected to result in significant injury to the user.

B. A critical component is any component in a life support device or system whose failure to perform can be reasonably expected to cause the failure of the life support device or to affect its safety or effectiveness.

Customers represent that they have all necessary expertise in the safety and regulatory ramifications of their life support devices or systems, and acknowledge and agree that they are solely responsible for all legal, regulatory and safety-related requirements concerning their products and any use of Diodes Incorporated products in such safety-critical, life support devices or systems, notwithstanding any devices- or systems-related information or support that may be provided by Diodes Incorporated. Further, Customers must fully indemnify Diodes Incorporated and its representatives against any damages arising out of the use of Diodes Incorporated products in such safety-critical, life support devices or systems.

Copyright © 2013, Diodes Incorporated

[www.diodes.com](http://www.diodes.com)



Компания «Океан Электроники» предлагает заключение долгосрочных отношений при поставках импортных электронных компонентов на взаимовыгодных условиях!

Наши преимущества:

- Поставка оригинальных импортных электронных компонентов напрямую с производств Америки, Европы и Азии, а так же с крупнейших складов мира;
- Широкая линейка поставок активных и пассивных импортных электронных компонентов (более 30 млн. наименований);
- Поставка сложных, дефицитных, либо снятых с производства позиций;
- Оперативные сроки поставки под заказ (от 5 рабочих дней);
- Экспресс доставка в любую точку России;
- Помощь Конструкторского Отдела и консультации квалифицированных инженеров;
- Техническая поддержка проекта, помощь в подборе аналогов, поставка прототипов;
- Поставка электронных компонентов под контролем ВП;
- Система менеджмента качества сертифицирована по Международному стандарту ISO 9001;
- При необходимости вся продукция военного и аэрокосмического назначения проходит испытания и сертификацию в лаборатории (по согласованию с заказчиком);
- Поставка специализированных компонентов военного и аэрокосмического уровня качества (Xilinx, Altera, Analog Devices, Intersil, Interpoint, Microsemi, Actel, Aeroflex, Peregrine, VPT, Syfer, Eurofarad, Texas Instruments, MS Kennedy, Miteq, Cobham, E2V, MA-COM, Hittite, Mini-Circuits, General Dynamics и др.);

Компания «Океан Электроники» является официальным дистрибьютором и эксклюзивным представителем в России одного из крупнейших производителей разъемов военного и аэрокосмического назначения «**JONHON**», а так же официальным дистрибьютором и эксклюзивным представителем в России производителя высокотехнологичных и надежных решений для передачи СВЧ сигналов «**FORSTAR**».



## JONHON

«**JONHON**» (основан в 1970 г.)

Разъемы специального, военного и аэрокосмического назначения:

(Применяются в военной, авиационной, аэрокосмической, морской, железнодорожной, горно- и нефтедобывающей отраслях промышленности)

«**FORSTAR**» (основан в 1998 г.)

ВЧ соединители, коаксиальные кабели, кабельные сборки и микроволновые компоненты:

(Применяются в телекоммуникациях гражданского и специального назначения, в средствах связи, РЛС, а так же военной, авиационной и аэрокосмической отраслях промышленности).



Телефон: 8 (812) 309-75-97 (многоканальный)

Факс: 8 (812) 320-03-32

Электронная почта: [ocean@oceanchips.ru](mailto:ocean@oceanchips.ru)

Web: <http://oceanchips.ru/>

Адрес: 198099, г. Санкт-Петербург, ул. Калинина, д. 2, корп. 4, лит. А