

## LTC2000, LTC2000A 16-, 14-, 11-Bit, 2.5Gsp/s to 2.7Gsp/s DACs

### DESCRIPTION

Demonstration circuit 2085 supports the [LTC<sup>®</sup>2000](#) and [LTC2000A](#), a high speed, high dynamic range family of DACs. It was specially designed for applications that require differential DC coupled outputs. DC2085 supports the complete family of the LTC2000 including 16, 14 and 11 bit parts. For all the variations see Table 1.

The circuitry on the analog outputs is optimized for analog frequencies from DC-1.08GHz.

**Design files for this circuit board are available at <http://www.linear.com/demo/DC2085>**

LT, LT, LTC, LTM, Linear Technology and the Linear logo are registered trademarks of Analog Devices, Inc. All other trademarks are the property of their respective owners.

**Table 1. DC2085 Variants**

DC2085 VARIANTS	PART NUMBER	RESOLUTION	MAXIMUM SAMPLE RATE	OUTPUT FREQUENCY
DC2085A-A	LTC2000-16	16-Bit	2.5Gsp/s	DC-1000MHz
DC2085A-B	LTC2000-14	14-Bit	2.5Gsp/s	DC-1000MHz
DC2085A-C	LTC2000-11	11-Bit	2.5Gsp/s	DC-1000MHz
DC2085A-D	LTC2000A-16	16-Bit	2.7Gsp/s	DC-1080MHz
DC2085A-E	LTC2000A-14	14-Bit	2.7Gsp/s	DC-1080MHz
DC2085A-F	LTC2000A-11	11-Bit	2.7Gsp/s	DC-1080MHz

### PERFORMANCE SUMMARY Specifications are at T<sub>A</sub> = 25°C

PARAMETER	CONDITIONS	MIN	TYP	MAX	UNITS
Supply Voltage – DC2085	This supply must provide up to 800mA	4.8	5.0	5.2	V
Sampling Frequency (Sample Clock Frequency)		300		2500 or 2700	MHz
Sample Clock Level (Single-Ended)	Use a 50Ω Source	0		15	dBm
LVDS Inputs	Differential Input Voltage Range	±0.2		±0.6	V
	Common Mode Voltage Range	0.4		1.8	V

## QUICK START PROCEDURE

DC2085 is easy to set up to evaluate the performance of the LTC2000. Refer to Figure 1 for proper measurement equipment set-up and follow the procedure below:

### Setup

If the Altera Stratix IV GX FPGA Development Kit was not supplied with the DC2085 demonstration circuit, follow the Altera Stratix IV demo manual to install the required software and for connecting the Altera Stratix IV to the DC2085 and to a PC.

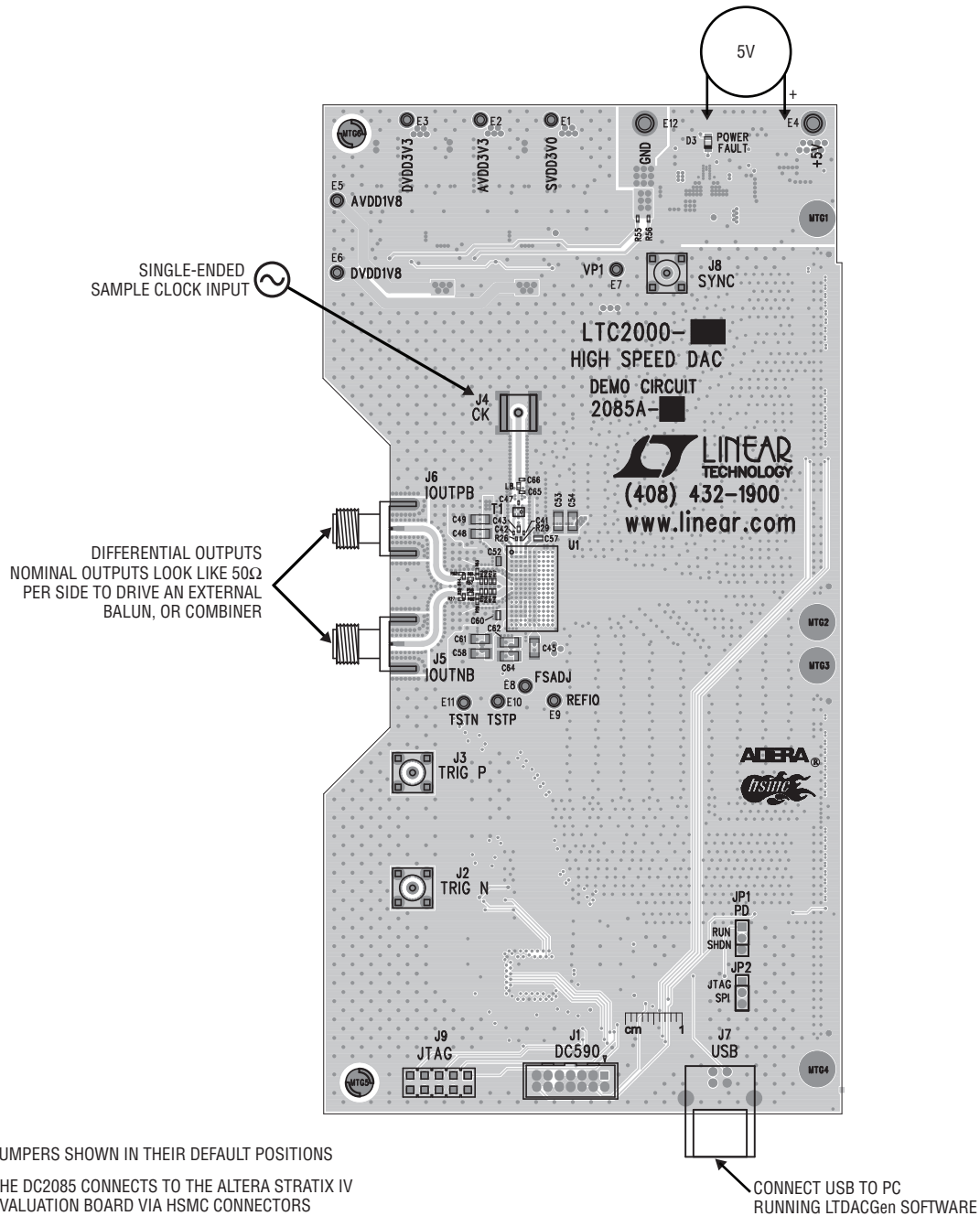


Figure 1. DC2085 Setup (zoom for details)

## QUICK START PROCEDURE

### HARDWARE SETUP

#### SMAs

**J2 & J3:** Differential Trigger Input. Apply a signal to J2 from a 50 $\Omega$  driver. Absorptive filters are required for data sheet performance. Use J2 and J3 if the trigger is a differential signal.

**J4:** Sample Clock Input. Apply a clock signal to this SMA connector from a 50 $\Omega$  driver. A 0dBm clock source should be sufficient, but for best phase noise and jitter performance, use the highest possible amplitude and slew rate, up to 15dBm.

**J5 & J6:** Differential Output Signals. These SMAs provide access to the differential outputs of the DAC. The output impedance is designed to be 50 $\Omega$  at each SMA, or 100 $\Omega$  differential. Connect an external balun or combiner to these pins to drive a single-ended spectrum analyzer. Linear Technology has various coupon boards for specific frequencies and applications. More information is available at [www.linear.com](http://www.linear.com).

**J8:** SYNC. This SMA is to provide access to the sync pin of the LT8614. It is not used in normal use.

#### Turrets

**+5V:** Positive Input Voltage for the DAC and Digital Circuits. This voltage feeds a series of regulators that supply the proper voltages for the DAC. The voltage range for this turret is 4.8V to 5.2V. Note: For close-in phase noise plots, driving this voltage is not ideal. There is a known 20kHz noise hump in the spectrum that is generated by the regulators. For the best phase noise performance, back drive the onboard regulators with the provided turrets from a low noise supply.

**GND:** Ground Connection. This demo board has only a single ground plane. This turret should be tied to the GND terminal of the power supply being used.

**SVDD3V0:** Optional 3.0V Input. This pin is connected directly to the SVDD pin of the DAC. It requires a supply that can deliver up to 100mA. Driving this pin will shut down the onboard regulator.

**AVDD3V3:** Optional 3.3V Input. This pin is connected directly to the AVDD3V3 pin of the DAC. It requires a

supply that can deliver up to 200mA. Driving this pin will shut down the onboard regulator.

**DVDD3V3:** Optional 3.3V Input. This pin is connected directly to the DVDD3V3 pin of the DAC. It requires a supply that can deliver up to 50mA. Driving this pin will shut down the onboard regulator.

**AVDD1V8:** Optional 1.8V Input. This pin is connected directly to the AVDD1V8 pin of the DAC. It requires a supply that can deliver up to 1A. Driving this pin will shut down the onboard regulator.

**DVDD1V8:** Optional 1.8V Input. This pin is connected directly to the DVDD1V8 pin of the DAC. It requires a supply that can deliver up to 500mA. Driving this pin will shut down the onboard regulator.

**VP1:** This is a test point that is at the output of the onboard switching regulator. It is meant for test purposes. It can also be driven to 2.5V to shut down the output of the switching regulator.

**TSTP & TSTN:** These pins are tied directly to the TSTP and TSTN pins of the DAC. They can be used to measure the internal temperature and timing of the LVDS inputs.

**FSADJ:** This is an optional pin that is tied directly to the FSADJ pin of the DAC. It can be used to set the full-scale output current of the DAC. In normal operation this pin is tied to GND through 500 $\Omega$  to set a current of 40mA at the output.

**REFIO:** This pin is tied directly to the REFIO pin of the DAC and is used to set the reference voltage for the DAC. Normally it is internally set to 1.25V but can be overdriven with an external voltage from 1.1V to 1.4V.

#### Jumpers

The DC2085 demonstration circuit should have the following jumper settings as default positions.

**JP1:** PD. In the RUN position this pin results in normal operation of the DAC. In the SHDN position the DAC is powered down. (Default: RUN or up)

**JP2:** SPI and JTAG. This jumper selects how the FPGA is programmed. In the SPI position the FPGA is programmed from the onboard FTDI chip and the LTDACGen software. In

## QUICK START PROCEDURE

the JTAG position the J9 is used with a JTAG programmer to program the FPGA. (Default: SPI or down)

### Connectors

**J1:** DC590. This is an optional header that can be used to program the DAC with the DC590. (Default: removed)

**J9:** JTAG. This is an optional header that can be used to program the FPGA through a JTAG programmer. (Default: removed)

**J7:** USB. Connect a USB cable from J7 to a computer with the LTDACGen software installed.

**J10 & J11:** HSMC Connectors. These connectors are designed to connect to the Altera Stratix IV development board. All of the communication between the FPGA and the DAC is routed through these connectors.

### APPLYING POWER AND SIGNALS TO THE DC2085 DEMONSTRATION CIRCUIT

If a Stratix IV demo board is used to supply data to the DC2085, the two boards should first be bolted together

and a proper connection should be made. If Linear Technology provided the Stratix IV board the proper bit file is already installed in flash memory and will begin to operate when the board is powered on. If an unprogrammed FPGA board is used, refer to the appropriate documentation on how to program it.

Power should be applied to the system in this order:

1. Connect the Altera board to the provided power supply.
2. Connect the USB cable to J7.
3. Apply a clock to J4.
4. Connect any optional output board to J5 and J6.
5. Turn on the voltage to the Altera board.
6. Connect the 5V from a bench supply to the +5V turret on the DC2085.
7. Open the LTDACGen software and hit connect.

LTDACGen should report back that it is connected to the FPGA. See Figure 2:

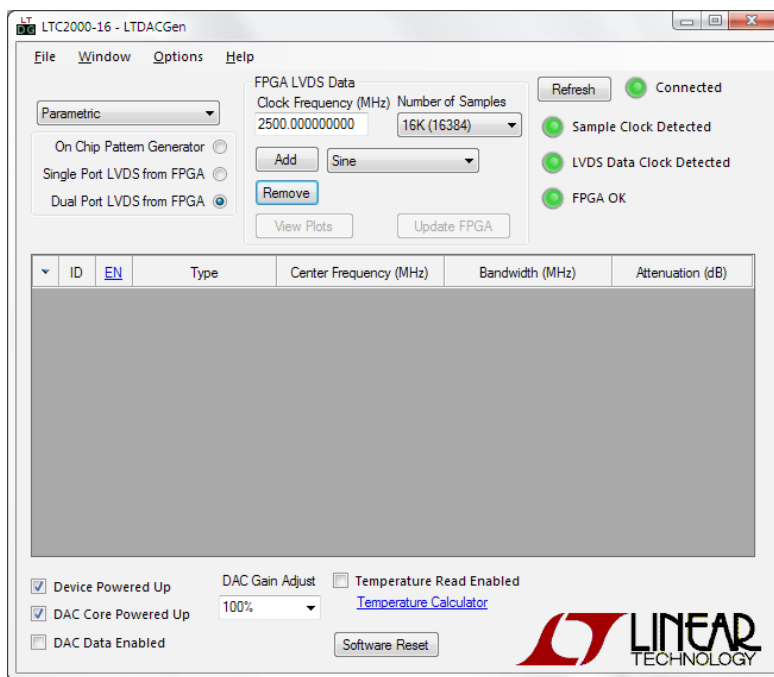


Figure 2. LTDACGen Connected to FPGA

## QUICK START PROCEDURE

### ANALOG OUTPUT NETWORK

The analog output network of the DC2085 has been designed to maximize the performance of the LTC2000. The LTC2000 drives two 50Ω resistors on each side to minimize the impedance it sees. This maximizes the SFDR the DAC is able to produce. If a larger signal swing is required this impedance can be increased, but the SFDR might degrade. The output also has a pi network of 50Ω resistors to pad the output impedance of the board up to 50Ω per side. This allows the demo board to drive a 50Ω analyzer through a balun or other combiner.

Linear Technology has various coupon boards for specific frequencies and applications. More information is available at [www.linear.com](http://www.linear.com).

### SAMPLE CLOCK

The sample clock to the DC2085 demonstration circuit board is marked J4. As a default it is a single-ended 50Ω input port. There is an onboard balun that does a single-ended to differential translation.

For the best noise performance, the sample input must be driven with a very low jitter signal generator source. The amplitude should be as large as possible up to ±1.8V or 9dBm.

### SOFTWARE

The software for the DC2085, LTDACGen is available at [www.linear.com](http://www.linear.com) free of charge. It simplifies the creation of complex waveforms and loading them into the FPGA to test the DC2085. For more information about how to use the LTDACGen software, refer to the help files that come with the software.

### RESULTS

After everything is set up and the software is connected to the DAC demo system, a sine wave can be added to the output waveform. The default frequency is 399.932861328MHz (Figure 3). By clicking Update FPGA, the data is sent to the FPGA and is then used to program the DAC. A spectrum analyzer can then be used to view the results (Figure 4).

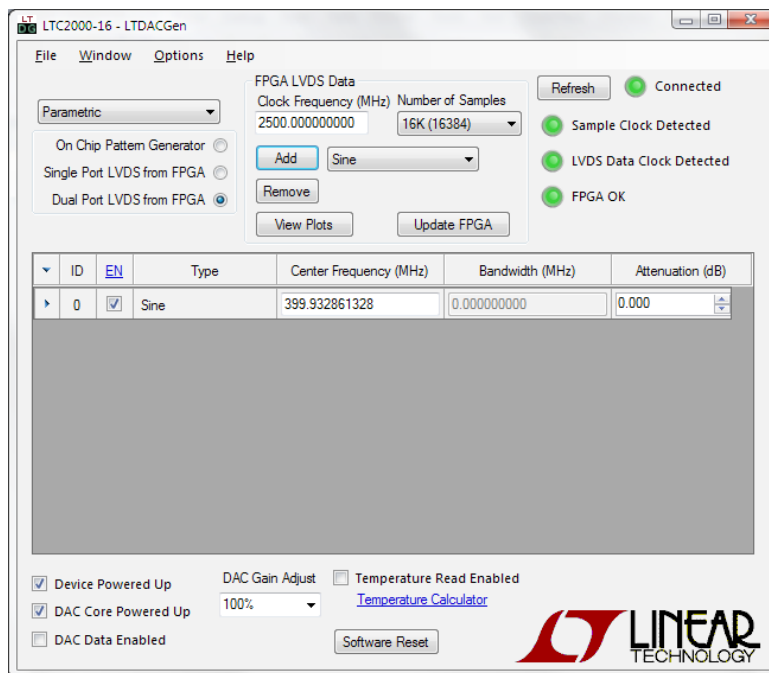
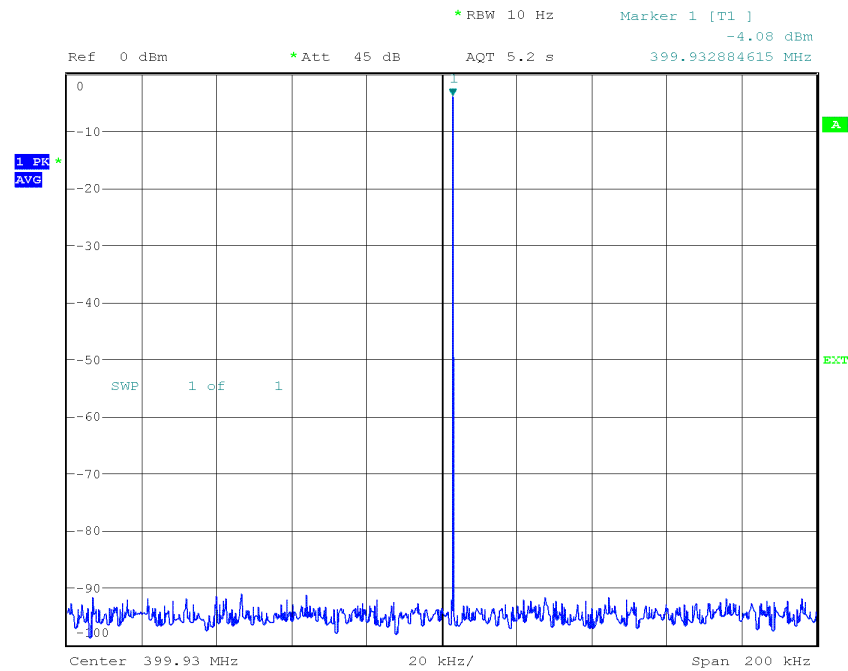


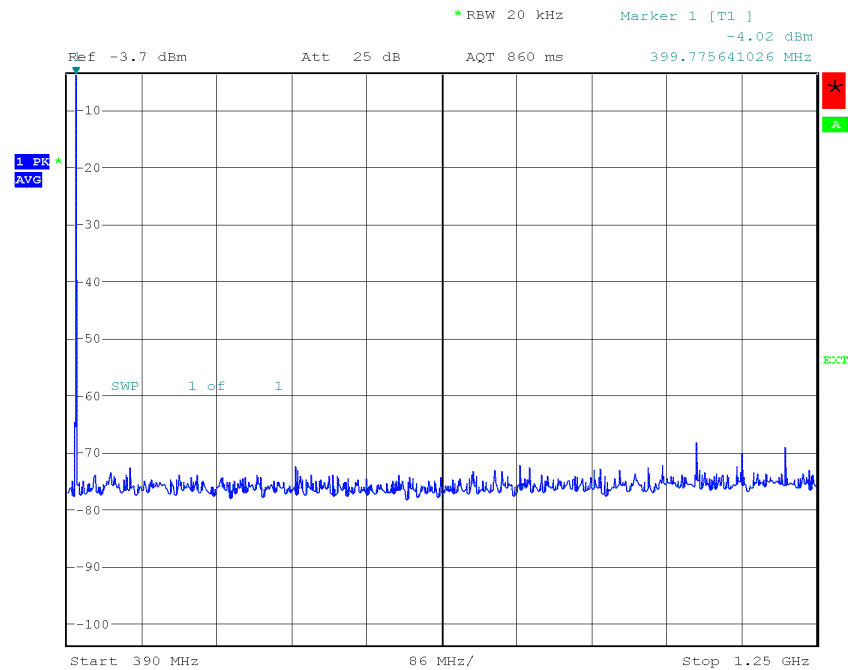
Figure 3. Default Frequency

# DEMO MANUAL DC2085

## QUICK START PROCEDURE



Date: 17.JUN.2014 19:12:15



Date: 17.JUN.2014 19:16:31

Figure 4. DC2085 Results. Close-In (Top) and Wideband (Bottom)

## PARTS LIST

ITEM	QTY	REFERENCE	PART DESCRIPTION	MANUFACTURER/PART NUMBER
<b>Required Circuit Components</b>				
1	13	C1, C25, C26, C29, C31, C32, C33, C34, C35, C36, C37, C71, C72	CAP., X7R, 0.1µF, 16V 10% 0402	AVX, 0402YC104KAT2A
2	4	C2, C3, C8, C19	CAP., NPO, 0.01µF, 25V 5% 0603	TDK, C1608C0G1H103J
3	9	C4, C6, C9, C11, C14, C18, C67, C68, C69	CAP., X7R, 1µF, 16V 10% 0603	AVX, 0603YC105KAT2A
4	5	C5, C7, C10, C12, C15	CAP., TANT., 47µF, 16V 10% 7343	AVX, TAJD476K016RNJ
5	4	C13, C16, C27, C28	CAP., X5R, 4.7µF, 16V 20% 1206	TDK, C3216X5R1C475M
6	2	C17, C40	CAP., X5R, 10µF, 10V 20% 0603	AVX, 0603ZD106MA2T
7	1	C20	CAP., COG, 4.7pF, 50V ± 0.25pF 0603	AVX, 06035A4R7CAT2A
8	2	C21, C24	CAP., X7R, 0.1µF, 16V 10% 0603	TDK, C1608X7R1C104K
9	1	C22	CAP., X7R, 1µF, 25V 10% 0603	TDK, C1608X7R1E105K
10	2	C23, C70	CAP., X7R, 47µF, 10V 10% 1210	MURATA, GRM32ER71A476KE15L
11	1	C30	CAP., X5R, 3.3µF, 16V 10% 0603	TDK, C1608X5R1C335K
12	2	C38, C39	CAP., COG, 27pF, 50V 5% 0402	TDK, C1005C0G1H270J
13	2	C41, C42	CAP., COG, 100pF, 25V 5% 0201	TDK, C0603C0G1E101J
14	1	C43	CAP., X5R, 0.01µF, 16V 10% 0402	MURATA, GRM155R61C103KA01D
15	1	C44	CAP., X7R, 47nF, 25V 10% 0402	MURATA, GRM155R71E473KA88D
16	9	C45, C48, C49, C53, C54, C58, C61, C62, C64	CAP., X5R, 100µF, 6.3V 20% 1206	TDK, C3216X5R0J107M
17	10	C46, C50, C51, C52, C55, C56, C57, C59, C60, C63	CAP., X7S, 2.2µF, 4V 20% 0306	MURATA, LLL185C70G225ME01L
18	1	C47	CAP., COG, 10pF, 25V 5% 0201	MURATA, GRM0335C1E100JA01D
19	0	C65	CAP., OPT, 0402	OPTION
20	1	C66	CAP., NPO, 1pF, 25V ±.25pF 0402	AVX, 04023A1R0CAT2A
21	2	C73, C74	CAP., X7R, 4.7µF, 50V 10% 1206	MURATA, GRM31CR71H475KA12L
22	1	C75	CAP., X7R, 10µF, 50V 10% 1210	MURATA, GRM32ER71H106KA12L
23	2	C76, C77	CAP., X5R, 1µF, 50V 10% 0603	MURATA, GRM188R61H105KAALD
24	1	D1	DIODE, TVS, 70V,SMA	DIODES INC./ ZETEX, SMAT70A-13-F
25	1	D2	DIODE, TVS, 24V,SMA	DIODES INC./ ZETEX, SMAJ24A-13-F
26	1	D3	LED, RED, WATERCLEAR, 0805	WÜRTH, 150080RS75000
27	10	E1, E2, E3, E5–E11	TEST POINT, TURRET, .061, PBF	MILL-MAX, 2308-2-00-80-00-00-07-0
28	2	E4, E12	TEST POINT, TURRET, .094, PBF	MILL-MAX, 2501-2-00-80-00-00-07-0
29	2	JP1, JP2	HEADER, 3 PIN, .079	SULLINS, NRPN031PAEN-RC
30	1	J1	HEADER, 2x7 DUAL ROW	MOLEX 87831-1420
31	3	J2, J3, J8	CON., SMA JACK, STRAIGHT, THRU-HOLE	AMPHENOL CONNEX, 132134
32	1	J4	CON., SMA PCB TOP MOUNT	AEP, 9650-1113-005
33	2	J5, J6	CON., SMA 50Ω EDGE-LAUNCH	EMERSON, 142-0701-851
34	1	J7	CONNECTOR, USB TYPE B, RIGHT ANGLE PCB MOUNT	FCI, 61729-0010BLF
35	1	J9	HEADER, 2X5, 0.100	SAMTEC, TSW-105-07-L-D
36	2	J10, J11	CONNECTOR, HSMC	SAMTEC, ASP-122952-01

# DEMO MANUAL DC2085

## PARTS LIST

ITEM	QTY	REFERENCE	PART DESCRIPTION	MANUFACTURER/PART NUMBER
37	6	L1, L2, L3, L4, L6, L7	FERRITE BEAD, 33Ω AT 100mHz, 1206	MURATA, BLM31PG330SN1L
38	1	L5	INDUCTOR, 2.2μH, 20% HIGH CURRENT, SMT	VISHAY, IHLP2020BZER2R2M11
39	1	L8	INDUCTOR, CERAMIC CHIP, 1nH, 5%, 0402	COILCRAFT, 0402CS-1N0XJLU
40	1	L9	FERRITE BEAD, 30Ω AT 100mHz, 0805	TDK, MPZ2012S300A
41	1	L10	INDUCTOR, 6.8μH, 20% HIGH CURRENT, SMT	VISHAY, IHLP2020BZER6R8M11
42	2	MTG5, MTG6	STANDOFF, NYLON 0.5"	KEYSTONE, 8833 (SNAP ON)
43	2	Q1, Q2	TRANSISTOR, N-CH. POWER MOSFET, SOIC 8L	FAIRCHILD, FDS8870
44	6	R1, R2, R3, R13, R17, R30	RES., CHIP, 1k, 1/16W, 5% 0402	VISHAY, CRCW04021K00JNED
45	1	R4	RES., CHIP, 4.7k, 1/16W, 5% 0402	YAGEO, RC0402JR-074K7L
46	4	R5, R14-R16	RES., CHIP, 10k, 1/16W, 5% 0402	YAGEO, RC0402JR-0710KL
47	2	R6, R8	RES., CHIP, 2k, 1/16W, 5% 0402	VISHAY, CRCW04022K00JNED
48	0	R7, R10, R23, R24, R25, R27, R28, R36, R37, R38, R39, R43, R62, R63	RES., CHIP, OPT, 0402	OPTION
49	1	R9	RES., CHIP, 39Ω, 1/16W, 1% 0402	VISHAY, CRCW040239R0FKED
50	1	R11	RES., CHIP, 0Ω JUMPER, 1/16W, 0402	VISHAY, CRCW04020000Z0ED
51	1	R12	RES., CHIP, 12k, 1/16W, 5% 0402	VISHAY, CRCW040212K0JNED
52	1	R18	RES., CHIP, 2.2k, 1/16W, 5% 0402	VISHAY, CRCW04022K20JNED
53	2	R19, R20	RES., CHIP, 3.24k, 1/16W, 1% 0402	VISHAY, CRCW04023K24FKED
54	1	R21	RES., CHIP, 1k, 1/16W, 1% 0402	YAGEO, RC0402FR-071KL
55	1	R22	RES., CHIP, 7.15k, 1/16W, 1% 0402	VISHAY, CRCW04027K15FKED
56	2	R26, R29	RES., CHIP, 49.9Ω, 1/6W, 1% 0201	VISHAY, CRCW020149R9FNED
57	7	R31-R35, R41, R42	RES., CHIP, 10Ω, 1/16W, 1% 0402	VISHAY, CRCW040210R0FKED
58	10	R40, R44, R46, R47, R48, R57, R58, R59, R60, R61	RES., CHIP, 50Ω, HIGH FREQ., 1/20W, 0.1% 0402	VISHAY, FC0402E50R0BST1
59	1	R45	RES., CHIP, 499Ω, 1/16W, 1% 0402	VISHAY, CRCW0402499RFKED
60	1	R49	RES., CHIP, 41.2k, 1/10W, 1% 0603	VISHAY, CRCW060341K2FKEA
61	1	R50	RES., CHIP, 309k, 1/10W, 1% 0603	VISHAY, CRCW0603309KFKEA
62	1	R51	RES., CHIP, 243k, 1/10W, 1% 0603	VISHAY, CRCW0603243KFKEA
63	1	R52	RES., CHIP, 50Ω, 1/8W, 5% 0603	VISHAY, FC0603E50R0JST1
64	1	R53	RES., CHIP, 560Ω, 1/10W, 5% 0603	VISHAY, CRCW0603560RJNEA
65	1	R54	RES., CHIP, 10k, 1/10W, 1% 0603	VISHAY, CRCW060310K0FKEA
66	2	R55, R56	RES., CHIP, 20Ω, 1/16W, 1% 0402	VISHAY, CRCW040220R0FKED
67	1	T1	TRANSFORMER, BALUN	ANAREN, B0430J50100AHF
68	1	U2	IC, USB TO MULTIPURPOSE UART/FIFO, TQFP	FTDI, FT232HL
69	1	U3	IC, QUAD MUX/DEMUX, TSSOP-16	FAIRCHILD, FST3257MTCX
70	1	U4	IC, EEPROM 1kBIT 3MHZ, 8TSSOP	MICROCHIP, 93LC46C-I/ST
71	1	U5	IC, MICROPOWER REGULATOR, SO-8	LINEAR TECHNOLOGY, LT1763CS8-3#PBF
72	2	U6, U7	IC, MICROPOWER REGULATOR, SO-8	LINEAR TECHNOLOGY, LT1763CS8-3.3#PBF
73	1	U8	IC, BUCK REGULATOR, QFN	LINEAR TECHNOLOGY, LT8614IUDC#PBF
74	1	U9	IC, VOLTAGE REFERENCE, MSOP	LINEAR TECHNOLOGY, LTC6655CHMS8-2.048#PBF



## PARTS LIST

ITEM	QTY	REFERENCE	PART DESCRIPTION	MANUFACTURER/PART NUMBER
75	2	U10, U11	I.C., LOW DROPOUT REGULATOR, 3×3mm, DFN	LINEAR TECHNOLOGY, LT3080EDD#PBF
76	1	U12	I.C., 80V IDEAL DIODE, DFN-6L	LINEAR TECHNOLOGY, LTC4359HDCB-#TRPBF
77	2	XJP1, XJP2	SHUNT, 2mm	SAMTEC, 2SN-BK-G
78	1	Y1	CRYSTAL, 12.0 MHz, SMT	ABRACON, ABMM2-12.000MHZ-E2-T

### DC2085A-A Required Circuit Components

1	1		GENERAL BOM	DC2085A
2	1	U1	IC, 16-BIT 2.5Gsps DAC	LINEAR TECHNOLOGY, LTC2000IY-16

### DC2085A-B Required Circuit Components

1	1		GENERAL BOM	DC2085A
2	1	U1	IC, 14-BIT 2.5Gsps DAC	LINEAR TECHNOLOGY, LTC2000IY-14

### DC2085A-C Required Circuit Components

1	1		GENERAL BOM	DC2085A
2	1	U1	IC, 11-BIT 2.5Gsps DAC	LINEAR TECHNOLOGY, LTC2000IY-11

### DC2085A-D Required Circuit Components

1	1		GENERAL BOM	DC2085A
2	1	U1	IC, 16-BIT 2.7Gsps DAC	LINEAR TECHNOLOGY, LTC2000AIY-16

### DC2085A-E Required Circuit Components

1	1		GENERAL BOM	DC2085A
2	1	U1	IC, 14-BIT 2.7Gsps DAC	LINEAR TECHNOLOGY, LTC2000AIY-14

### DC2085A-F Required Circuit Components

1	1		GENERAL BOM	DC2085A
2	1	U1	IC, 11-BIT 2.7Gsps DAC	LINEAR TECHNOLOGY, LTC2000AIY-11

**SCHEMATIC DIAGRAM**

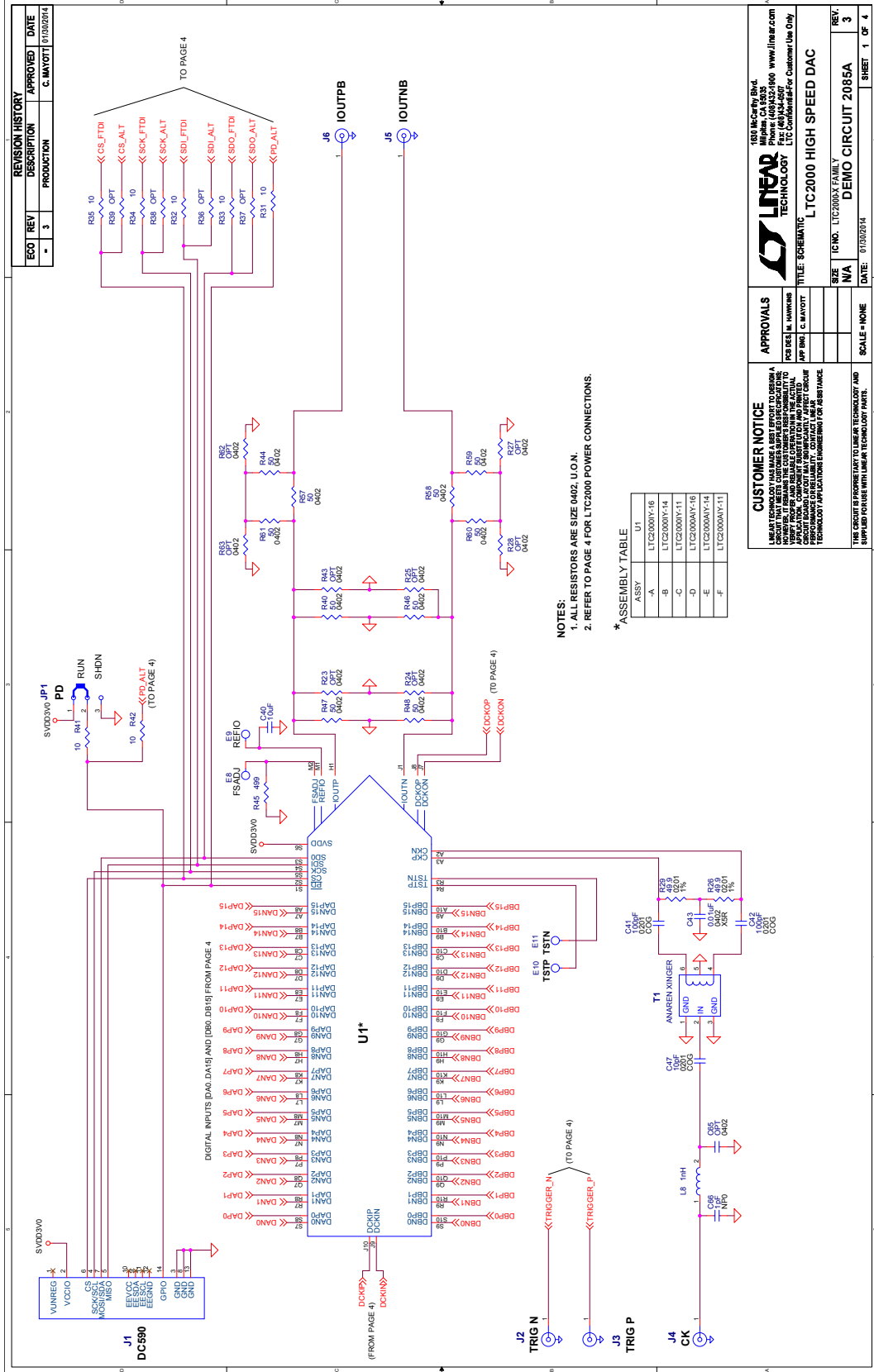
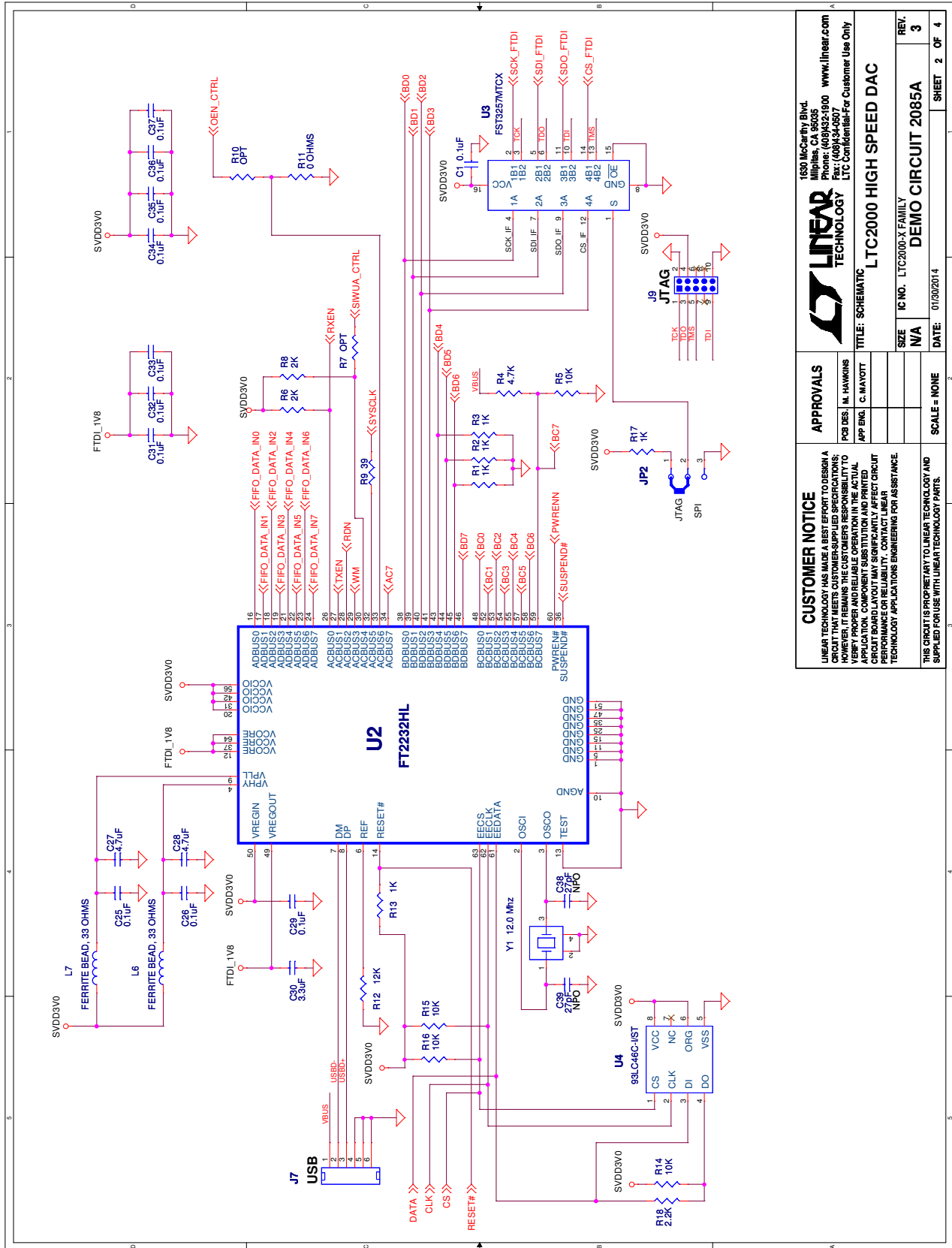


Figure 5. DC2085 Demo Circuit Schematic (Sheet 1)

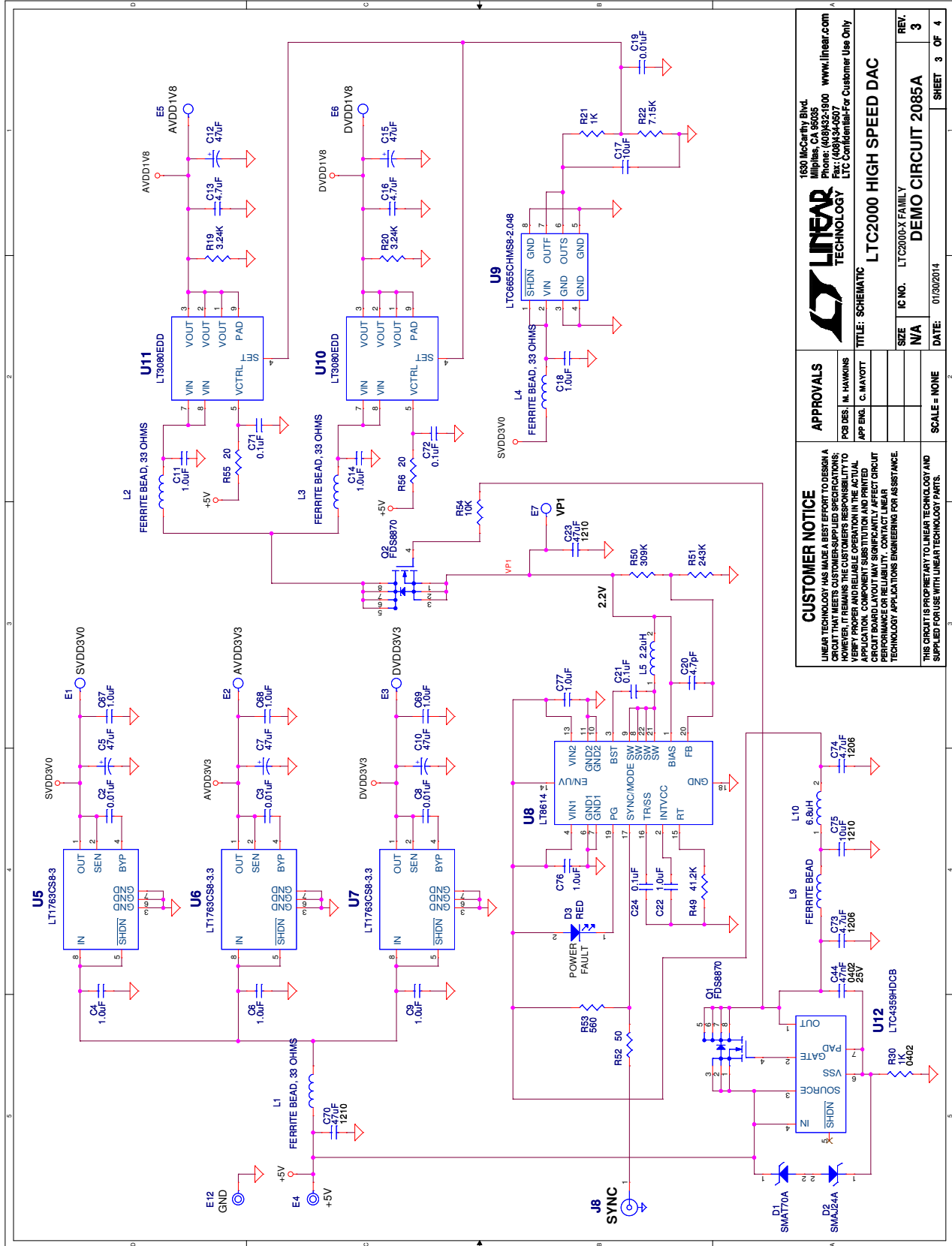
SCHEMATIC DIAGRAM



<p><b>CUSTOMER NOTICE</b>                  LINEAR TECHNOLOGY HAS MADE A BEST EFFORT TO DESIGN A CIRCUIT THAT MEETS CUSTOMER-SUPPLIED SPECIFICATIONS; HOWEVER, IT REMAINS THE CUSTOMER'S RESPONSIBILITY TO VERIFY PROPER AND RELIABLE OPERATION IN THE ACTUAL APPLICATION. CUSTOMER AGREEMENT TO THIS NOTICE CONSTITUTES ACCEPTANCE OF THE CIRCUIT BOARD LAYOUT. ANY SIGNIFICANTLY AFFECT CIRCUIT PERFORMANCE OR RELIABILITY. CONTACT LINEAR TECHNOLOGY APPLICATIONS ENGINEERING FOR ASSISTANCE.</p>	<p><b>APPROVALS</b></p> <p>PCB DES: M. HAWKINS                  APP ENGL: C. MAYOTT</p>	<p>1630 McCarthy Blvd.                  Milpitas, CA 95035                  Phone: (408)432-1900 www.linear.com                  Fax: (408)434-0507                  LTC Confidential-For Customer Use Only</p>	
	<p>SCALE: NONE</p>	<p>DATE: 01/30/2014</p>	<p>REV: 3</p>
	<p>THIS CIRCUIT IS PROPRIETARY TO LINEAR TECHNOLOGY AND SUPPLIED FOR USE WITH LINEAR TECHNOLOGY PARTS.</p>	<p>SHEET 2 OF 4</p>	<p>REV. 3</p>

Figure 6. DC2085 Demo Circuit Schematic (Sheet 2)

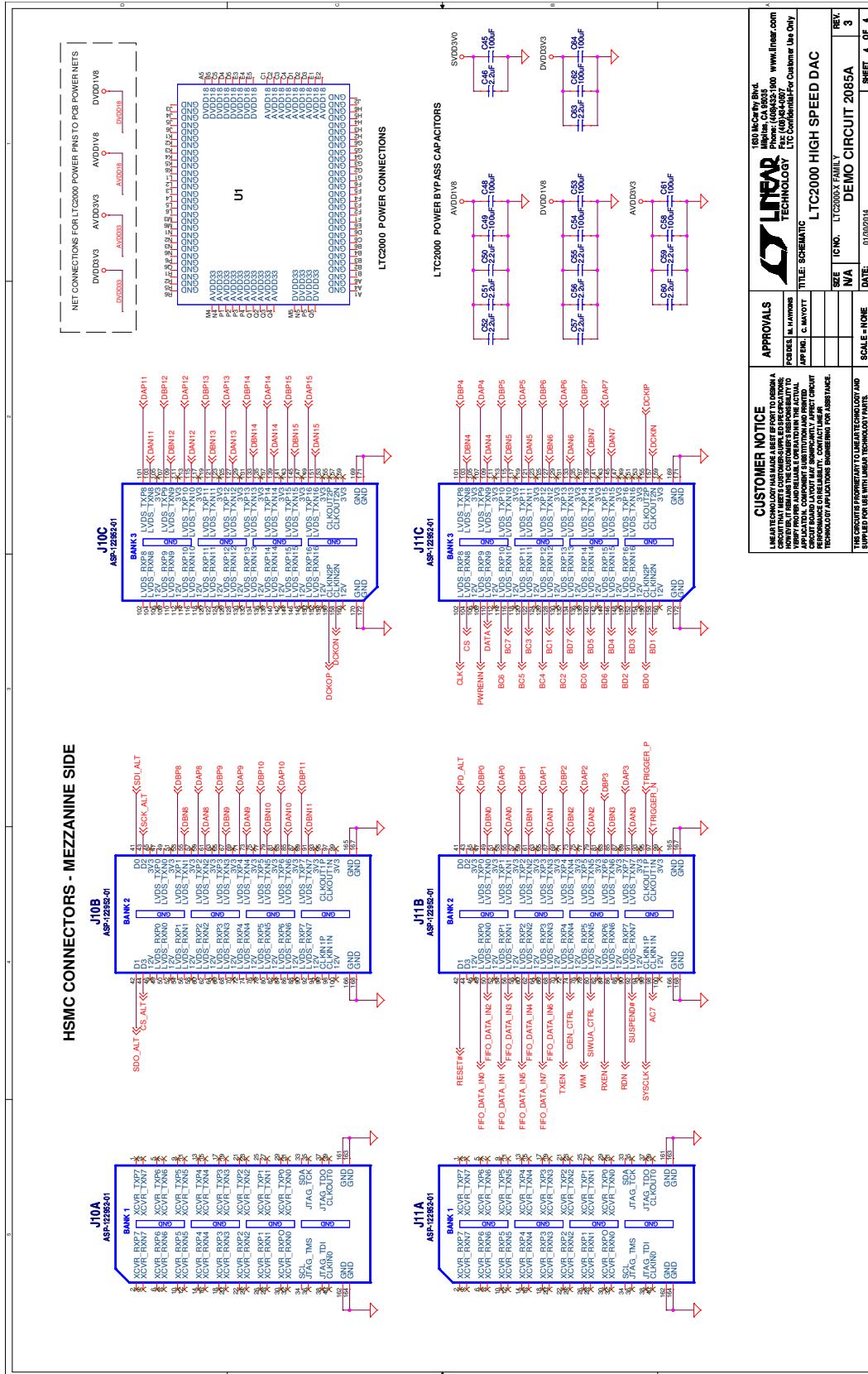
## SCHEMATIC DIAGRAM



<b>CUSTOMER NOTICE</b> LINEAR TECHNOLOGY HAS MADE A BEST EFFORT TO DESIGN A CIRCUIT THAT MEETS CUSTOMER-SUPPLIED SPECIFICATIONS; HOWEVER, IT REMAINS THE CUSTOMER'S RESPONSIBILITY TO VERIFY PROPER AND RELIABLE OPERATION IN THE ACTUAL APPLICATION. LINEAR TECHNOLOGY CANNOT BE HELD RESPONSIBLE FOR PERFORMANCE OR RELIABILITY. CONTACT LINEAR TECHNOLOGY APPLICATIONS ENGINEERING FOR ASSISTANCE.		<b>APPROVALS</b> PCB DES: M. HAWKINS APP ENGR: C. MAYOTT		1630 McCarty Blvd. Milpitas, CA 95035 Phone: (408)432-1900 www.linear.com Fax: (408)434-0507 LTC Confidential-For Customer Use Only	
<b>TITLE: SCHEMATIC</b> LTC2000 HIGH SPEED DAC		SIZE: N/A	IC NO.: LT2000-X FAMILY	REV.: 3	SHEET 3 OF 4
THIS CIRCUIT IS PROPRIETARY TO LINEAR TECHNOLOGY AND SUPPLIED FOR USE WITH LINEAR TECHNOLOGY PARTS.		SCALE: NONE		DATE: 01/30/2014	DEMO CIRCUIT 2085A

Figure 7. DC2085 Demo Circuit Schematic (Sheet 3)

SCHEMATIC DIAGRAM



<b>CUSTOMER NOTICE</b>		<b>APPROVALS</b>	
LINEAR IS PROVIDING THIS SCHEMATIC AS A GUIDE ONLY. IT IS THE CUSTOMER'S RESPONSIBILITY TO VERIFY THAT THE ACTUAL PARTS AND COMPONENTS USED IN THE DESIGN MEET THE SPECIFICATIONS AND REQUIREMENTS OF THE PARTS AND COMPONENTS. LINEAR DOES NOT WARRANT THE PERFORMANCE OF THIS SCHEMATIC FOR ANY APPLICATION. CONTACT LINEAR FOR APPLICATIONS ENGINEERING SUPPORT.		APPROVED: [Signature] DATE: [Date] DESIGNED: [Signature] DATE: [Date]	
LINEAR IS NOT RESPONSIBLE FOR ANY DAMAGE TO PROPERTY OR PERSONS ARISING FROM THE USE OF THIS SCHEMATIC. THE CUSTOMER ASSUMES ALL LIABILITY FOR THE ACTUAL PERFORMANCE OF THIS SCHEMATIC.		SCALE: NONE DATE: 01/02/2014	
THE SCHEMATIC IS PROPRIETARY TO LINEAR TECHNOLOGY AND IS NOT TO BE REPRODUCED OR TRANSMITTED IN ANY FORM OR BY ANY MEANS, ELECTRONIC OR MECHANICAL, INCLUDING PHOTOCOPYING, RECORDING, OR BY ANY INFORMATION STORAGE AND RETRIEVAL SYSTEM.		SHEET 4 OF 4	

<b>1801 McCarty Blvd.</b>		<b>1801 McCarty Blvd.</b>	
<b>Milpitas, CA 95030</b>		<b>Milpitas, CA 95030</b>	
<b>www.linear.com</b>		<b>www.linear.com</b>	
<b>TEL: (415) 761-3000</b>		<b>TEL: (415) 761-3000</b>	
<b>FAX: (415) 434-9977</b>		<b>FAX: (415) 434-9977</b>	
<b>LINEAR TECHNOLOGY</b>		<b>LINEAR TECHNOLOGY</b>	
<b>LTC Confidential - For Customer Use Only</b>		<b>LTC Confidential - For Customer Use Only</b>	
<b>TITLE: SCHEMATIC</b>		<b>TITLE: SCHEMATIC</b>	
<b>LTC2000 HIGH SPEED DAC</b>		<b>LTC2000 HIGH SPEED DAC</b>	
<b>REV. 3</b>		<b>REV. 3</b>	
<b>DATE: 01/02/2014</b>		<b>DATE: 01/02/2014</b>	
<b>SHEET 4 OF 4</b>		<b>SHEET 4 OF 4</b>	

Figure 8. DC2085 Demo Circuit Schematic (Sheet 4)

# DEMO MANUAL DC2085

---

## DEMONSTRATION BOARD IMPORTANT NOTICE

Linear Technology Corporation (LTC) provides the enclosed product(s) under the following **AS IS** conditions:

This demonstration board (DEMO BOARD) kit being sold or provided by Linear Technology is intended for use for **ENGINEERING DEVELOPMENT OR EVALUATION PURPOSES ONLY** and is not provided by LTC for commercial use. As such, the DEMO BOARD herein may not be complete in terms of required design-, marketing-, and/or manufacturing-related protective considerations, including but not limited to product safety measures typically found in finished commercial goods. As a prototype, this product does not fall within the scope of the European Union directive on electromagnetic compatibility and therefore may or may not meet the technical requirements of the directive, or other regulations.

If this evaluation kit does not meet the specifications recited in the DEMO BOARD manual the kit may be returned within 30 days from the date of delivery for a full refund. **THE FOREGOING WARRANTY IS THE EXCLUSIVE WARRANTY MADE BY THE SELLER TO BUYER AND IS IN LIEU OF ALL OTHER WARRANTIES, EXPRESSED, IMPLIED, OR STATUTORY, INCLUDING ANY WARRANTY OF MERCHANTABILITY OR FITNESS FOR ANY PARTICULAR PURPOSE. EXCEPT TO THE EXTENT OF THIS INDEMNITY, NEITHER PARTY SHALL BE LIABLE TO THE OTHER FOR ANY INDIRECT, SPECIAL, INCIDENTAL, OR CONSEQUENTIAL DAMAGES.**

The user assumes all responsibility and liability for proper and safe handling of the goods. Further, the user releases LTC from all claims arising from the handling or use of the goods. Due to the open construction of the product, it is the user's responsibility to take any and all appropriate precautions with regard to electrostatic discharge. Also be aware that the products herein may not be regulatory compliant or agency certified (FCC, UL, CE, etc.).

No License is granted under any patent right or other intellectual property whatsoever. **LTC assumes no liability for applications assistance, customer product design, software performance, or infringement of patents or any other intellectual property rights of any kind.**

LTC currently services a variety of customers for products around the world, and therefore this transaction **is not exclusive**.

**Please read the DEMO BOARD manual prior to handling the product.** Persons handling this product must have electronics training and observe good laboratory practice standards. **Common sense is encouraged.**

This notice contains important safety information about temperatures and voltages. For further safety concerns, please contact a LTC application engineer.

Mailing Address:

Linear Technology  
1630 McCarthy Blvd.  
Milpitas, CA 95035

Copyright © 2004, Linear Technology Corporation

Компания «Океан Электроники» предлагает заключение долгосрочных отношений при поставках импортных электронных компонентов на взаимовыгодных условиях!

Наши преимущества:

- Поставка оригинальных импортных электронных компонентов напрямую с производств Америки, Европы и Азии, а так же с крупнейших складов мира;
- Широкая линейка поставок активных и пассивных импортных электронных компонентов (более 30 млн. наименований);
- Поставка сложных, дефицитных, либо снятых с производства позиций;
- Оперативные сроки поставки под заказ (от 5 рабочих дней);
- Экспресс доставка в любую точку России;
- Помощь Конструкторского Отдела и консультации квалифицированных инженеров;
- Техническая поддержка проекта, помощь в подборе аналогов, поставка прототипов;
- Поставка электронных компонентов под контролем ВП;
- Система менеджмента качества сертифицирована по Международному стандарту ISO 9001;
- При необходимости вся продукция военного и аэрокосмического назначения проходит испытания и сертификацию в лаборатории (по согласованию с заказчиком);
- Поставка специализированных компонентов военного и аэрокосмического уровня качества (Xilinx, Altera, Analog Devices, Intersil, Interpoint, Microsemi, Actel, Aeroflex, Peregrine, VPT, Syfer, Eurofarad, Texas Instruments, MS Kennedy, Miteq, Cobham, E2V, MA-COM, Hittite, Mini-Circuits, General Dynamics и др.);

Компания «Океан Электроники» является официальным дистрибьютором и эксклюзивным представителем в России одного из крупнейших производителей разъемов военного и аэрокосмического назначения «JONHON», а так же официальным дистрибьютором и эксклюзивным представителем в России производителя высокотехнологичных и надежных решений для передачи СВЧ сигналов «FORSTAR».



## JONHON

«JONHON» (основан в 1970 г.)

Разъемы специального, военного и аэрокосмического назначения:

(Применяются в военной, авиационной, аэрокосмической, морской, железнодорожной, горно- и нефтедобывающей отраслях промышленности)

«FORSTAR» (основан в 1998 г.)

ВЧ соединители, коаксиальные кабели, кабельные сборки и микроволновые компоненты:

(Применяются в телекоммуникациях гражданского и специального назначения, в средствах связи, РЛС, а так же военной, авиационной и аэрокосмической отраслях промышленности).



Телефон: 8 (812) 309-75-97 (многоканальный)

Факс: 8 (812) 320-03-32

Электронная почта: [ocean@oceanchips.ru](mailto:ocean@oceanchips.ru)

Web: <http://oceanchips.ru/>

Адрес: 198099, г. Санкт-Петербург, ул. Калинина, д. 2, корп. 4, лит. А