

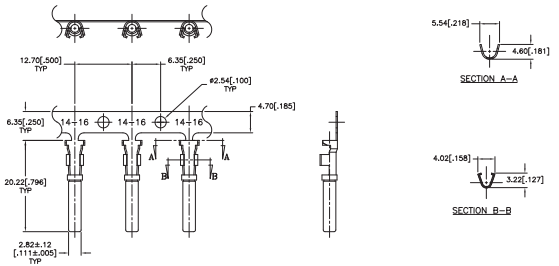
STAMPED AND FORMED CONTACTS, PG 1 of 2

Click on [blue underlined part numbers](#) to be taken to their spec sheets.

OPTIONS

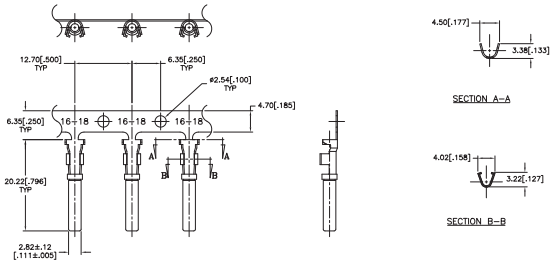
PART NUMBER: [AT62-14-01XX](#)
DESCRIPTION: CONTACT, SOCKET, STAMPED, SIZE 16

MATERIAL:
 CONTACT BODY: COPPER ALLOY
 HOOD: STAINLESS STEEL
PLATING SUFFIX CODE:
 XX=22 NICKEL PLATING
 XX=44 GOLD PLATING
CONTACT GENERAL DATA SPECIFICATION: S2-15217
AVAILABLE CRIMPERS: ATT-16-00, MFX-3950 & MFX-3953
CRIMPER SPECIFICATIONS: S2-15223 & S2-15224
CRIMP INFORMATION DRAWING: S2-15221 & S2-15222
CONTACTS PER REEL: APPROX. 4000 (PARTIAL REELS AVAILABLE)



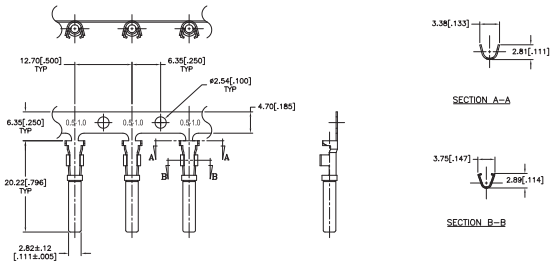
PART NUMBER: [AT62-16-01XX](#)
DESCRIPTION: CONTACT, SOCKET, STAMPED, SIZE 16

MATERIAL:
 CONTACT BODY: COPPER ALLOY
 HOOD: STAINLESS STEEL
PLATING SUFFIX CODE:
 XX=22 NICKEL PLATING
 XX=44 GOLD PLATING
CONTACT GENERAL DATA SPECIFICATION: S2-15217
AVAILABLE CRIMPERS: ATT-16-00, ATT-16-01, MFX-3950 & MFX-3953
CRIMPER SPECIFICATIONS: S2-15223 & S2-15224
CRIMP INFORMATION DRAWING: S2-15221 & S2-15222
CONTACTS PER REEL: APPROX. 4000 (PARTIAL REELS AVAILABLE)



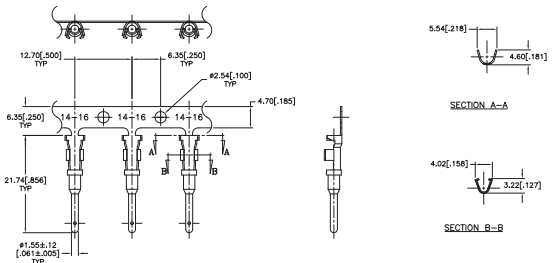
PART NUMBER: [AT62-16-06XX](#)
DESCRIPTION: CONTACT, SOCKET, STAMPED, SIZE 16

MATERIAL:
 CONTACT BODY: COPPER ALLOY
 HOOD: STAINLESS STEEL
PLATING SUFFIX CODE:
 XX=22 NICKEL PLATING
 XX=44 GOLD PLATING
CONTACT GENERAL DATA SPECIFICATION: S2-15217
AVAILABLE CRIMPERS: ATT-16-01, MFX-3950 & MFX-3953
CRIMPER SPECIFICATIONS: S2-15223 & S2-15224
CRIMP INFORMATION DRAWING: S2-15221 & S2-15222
CONTACTS PER REEL: APPROX. 4000 (PARTIAL REELS AVAILABLE)



PART NUMBER: [AT60-14-01XX](#)
DESCRIPTION: CONTACT, PIN, STAMPED, SIZE 16

MATERIAL: COPPER ALLOY
PLATING SUFFIX CODE:
 XX=22 NICKEL PLATING
 XX=44 GOLD PLATING
CONTACT GENERAL DATA SPECIFICATION: S2-15217
AVAILABLE CRIMPERS: ATT-16-00, MFX-3950 & MFX-3953
CRIMPER SPECIFICATIONS: S2-15223 & S2-15224
CRIMP INFORMATION DRAWING: S2-15221 & S2-15222
CONTACTS PER REEL: APPROX. 4000 (PARTIAL REELS AVAILABLE)

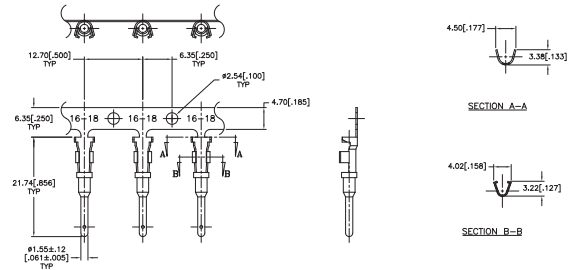


STAMPED AND FORMED CONTACTS, PG 2 of 2

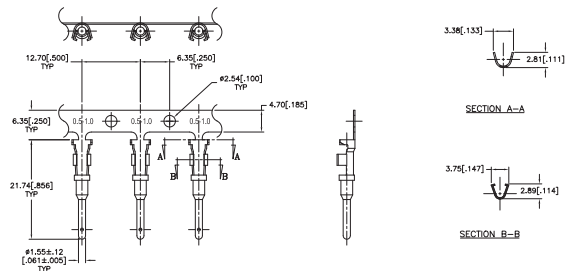
Click on [blue underlined part numbers](#) to be taken to their spec sheets.

OPTIONS

PART NUMBER: [AT60-16-01XX](#)
DESCRIPTION: CONTACT, PIN, STAMPED, SIZE 16
MATERIAL: COPPER ALLOY
PLATING SUFFIX CODE:
 XX=22 NICKEL PLATING
 XX=44 GOLD PLATING
CONTACT GENERAL DATA SPECIFICATION: S2-15217
AVAILABLE CRIMPERS: ATT-16-00, ATT-16-01, MFX-3950 & MFX-3953
CRIMPER SPECIFICATIONS: S2-15223 & S2-15224
CRIMP INFORMATION DRAWING: S2-15221 & S2-15222
CONTACTS PER REEL: APPROX. 4000 (PARTIAL REELS AVAILABLE)



PART NUMBER: [AT60-16-06XX](#)
DESCRIPTION: CONTACT, PIN, STAMPED, SIZE 16
MATERIAL: COPPER ALLOY
PLATING SUFFIX CODE:
 XX=22 NICKEL PLATING
 XX=44 GOLD PLATING
CONTACT GENERAL DATA SPECIFICATION: S2-15217
AVAILABLE CRIMPERS: ATT-16-01, MFX-3950 & MFX-3953
CRIMPER SPECIFICATIONS: S2-15223 & S2-15224
CRIMP INFORMATION DRAWING: S2-15221 & S2-15222
CONTACTS PER REEL: APPROX. 4000 (PARTIAL REELS AVAILABLE)



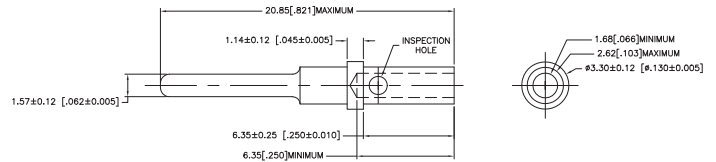
SOLID/MACHINED CONTACTS

Click on [blue underlined part numbers](#) to be taken to their spec sheets.

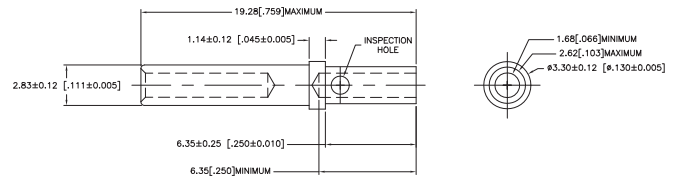
OPTIONS

MILITARY-STYLE

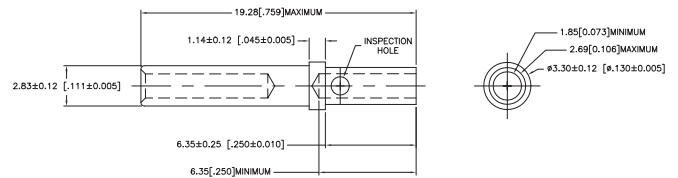
PART NUMBER: [AT60-202-16XX](#)
DESCRIPTION: CONTACT, PIN, SOLID MACHINED, SIZE 16
MATERIAL: COPPER ALLOY
PLATING SUFFIX CODE:
 XX=141 NICKEL PLATING
 XX=31 GOLD PLATING
CONTACT GENERAL DATA SPECIFICATION: S2-15217
AVAILABLE CRIMPERS: CA-5D12 & CA-5E12
CRIMPER SPECIFICATIONS: S2-15219 & S2-15220
CRIMP INFORMATION DRAWING: S2-15218



PART NUMBER: [AT62-201-16XX](#)
DESCRIPTION: CONTACT, SOCKET, SOLID MACHINED, SIZE 16
MATERIAL:
 CONTACT BODY: COPPER ALLOY
 HOOD: STAINLESS STEEL
PLATING SUFFIX CODE:
 XX=141 NICKEL PLATING
 XX=31 GOLD PLATING
CONTACT GENERAL DATA SPECIFICATION: S2-15217
AVAILABLE CRIMPERS: CA-5D12 & CA-5E12
CRIMPER SPECIFICATIONS: S2-15219 & S2-15220
CRIMP INFORMATION DRAWING: S2-15218

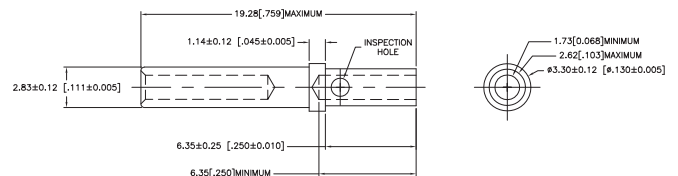


PART NUMBER: [65-54942-14](#)
DESCRIPTION: CONTACT, SOCKET, ROCKSOLID, SIZE 16
AWG RANGE: 14AWG
MATERIAL: COPPER ALLOY
PLATING: GOLD
CONTACT GENERAL DATA SPECIFICATION: S2-15217
AVAILABLE CRIMPERS: CA-5D12 & CA-5E12
CRIMPER SPECIFICATIONS: S2-15219 & S2-15220
CRIMP INFORMATION DRAWING: S2-15218

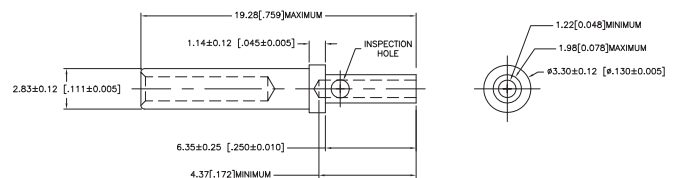


ROCKSOLID™ CONTACTS

PART NUMBER: [65-54942-16](#)
DESCRIPTION: CONTACT, SOCKET, ROCKSOLID, SIZE 16
AWG RANGE: 16AWG
MATERIAL: COPPER ALLOY
PLATING: GOLD
CONTACT GENERAL DATA SPECIFICATION: S2-15217
AVAILABLE CRIMPERS: CA-5D12 & CA-5E12
CRIMPER SPECIFICATIONS: S2-15219 & S2-15220
CRIMP INFORMATION DRAWING: S2-15218



PART NUMBER: [65-54942-20](#)
DESCRIPTION: CONTACT, SOCKET, ROCKSOLID, SIZE 16
AWG RANGE: 20AWG
MATERIAL: COPPER ALLOY
PLATING: GOLD
CONTACT GENERAL DATA SPECIFICATION: S2-15217
AVAILABLE CRIMPERS: CA-5D12 & CA-5E12
CRIMPER SPECIFICATIONS: S2-15219 & S2-15220
CRIMP INFORMATION DRAWING: S2-15218



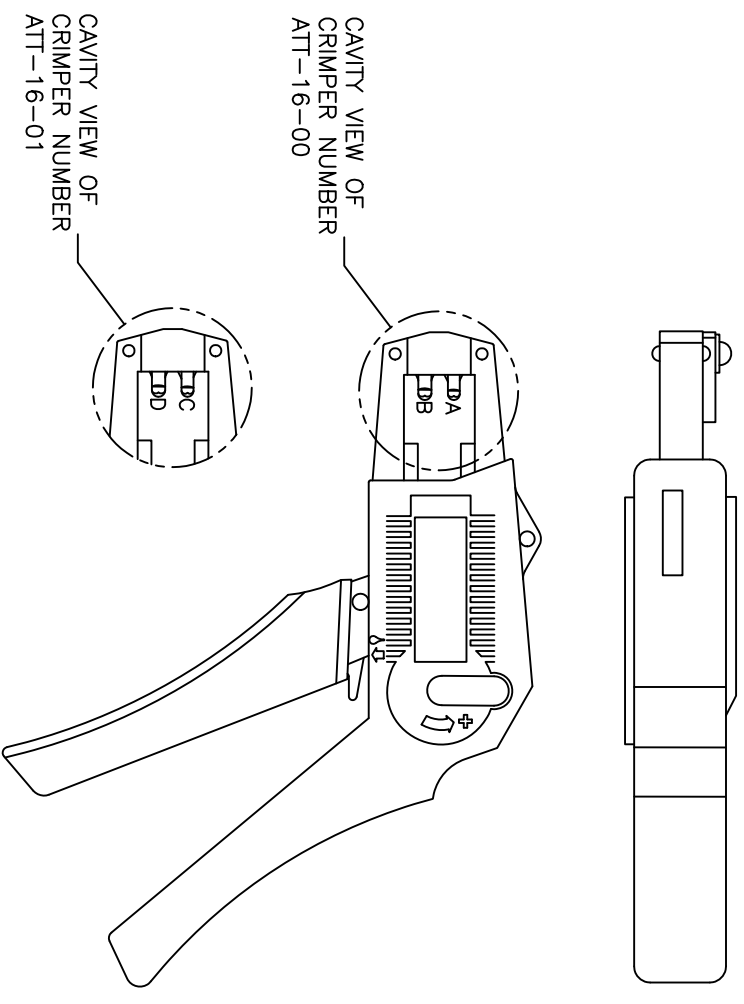
REVISIONS					
REV	ECO	DESCRIPTION	DATE	BY	APPR
A1	-	RELEASE NUMBER 016571	6/12/09	B.D.B.	M.R.F.

USE CRIMPER NUMBER:
ATT-16-00 WITH CAVITY A & B

CONTACT P/N:	INSULATION ϕ	CAVITY	WIRE SIZE
AT60-16-01**	.075 - .140	B	1.5mm ²
AT62-16-01**	[1.91 - 3.56]	A	16AWG
		A	1.0mm ²
AT60-14-01**	.095 - .150	B	14AWG
AT62-14-01**	[2.41 - 3.81]	B	2.0mm ²
		B	1.5mm ²
		A	1.5mm ²
		A	16AWG
		A	1.0mm ²
AT60-16-06**	.055 - .100	A	16AWG
AT62-16-06**	[1.40 - 2.54]	A	1.0mm ²

USE CRIMPER NUMBER:
ATT-16-01 WITH CAVITY C & D

CONTACT P/N:	INSULATION ϕ	CAVITY	WIRE SIZE
AT60-16-01**	.075 - .140	D	18AWG
AT62-16-01**	[1.91 - 3.56]	D	.75mm ²
AT60-16-06**	.055 - .100	D	18AWG
AT62-16-06**	[1.40 - 2.54]	D	.75mm ²
		C	.50mm ²



CAVITY VIEW OF
CRIMPER NUMBER
ATT-16-00

CAVITY VIEW OF
CRIMPER NUMBER
ATT-16-01

ALL REFERENCES TO DEUTSCH PRODUCTS OR SPECIFICATIONS ARE FOR COMPARISON PURPOSES ONLY, AND REFER TO DEUTSCH INDUSTRIAL PRODUCTS.

- NOTES (UNLESS OTHERWISE SPECIFIED):
- ALL DIMENSIONS IN INCHES [MILLIMETERS]
 - FOR PLATING CODES ** SEE CONTACT DATA DRAWINGS.
 - THIS TOOL IS FOR CRIMPING SIZE 16 CONTACTS ONLY TO WIRES LISTED IN THE CHARTS.
 - DEUTSCH IPD CROSS REFERENCE PART NUMBERS ARE DTT-16-00 AND DTT-16-01.

QUANTITY	PART NUMBER	DESCRIPTION	ITEM
MATERIALS LIST			
<p>SINE Systems Corporation A Subsidiary of Amphenol Corporation 44724 Morley Drive Clifton Township, NJ 08036</p> <p>INSTRUCTIONS: ATT-16-00 & 01 CRIMPER, HAND, STAMPED CONTACTS</p>			
<p>UNLESS OTHERWISE SPECIFIED</p> <p>1) All dimensions are in inches.</p> <p>2) Tolerances are as follows: 3) Finish: .0005 4) Hole Reference: A</p>		<p>SIGNATURES</p> <p>DATE</p> <p>6/8/09</p> <p>6/8/09</p> <p>6/8/09</p>	
<p>PROCESS SPECIFICATIONS</p> <p>N/A</p>		<p>THE USE OF THIS DOCUMENT IS UNLIMITED DESIGN FEATURES. SPECIAL DATA SHEETS ARE THE PROPERTY OF AMPHENOL CORP. ALL DIMENSIONS ARE IN INCHES UNLESS OTHERWISE SPECIFIED.</p> <p>APPROVAL: BERNIE 6/8/09</p>	
<p>NOT ASY:</p>		<p>SIZE: FCSD NO/DWG NO: S2-15223</p> <p>SCALE: NONE</p> <p>SHEET 1 OF 1</p>	

REVIEWS		ECO	DESCRIPTION	DATE	BY	APP
AT	-	-	RELEASE NUMBER 016871	6/12/09	B.D.B.	M.F.F.

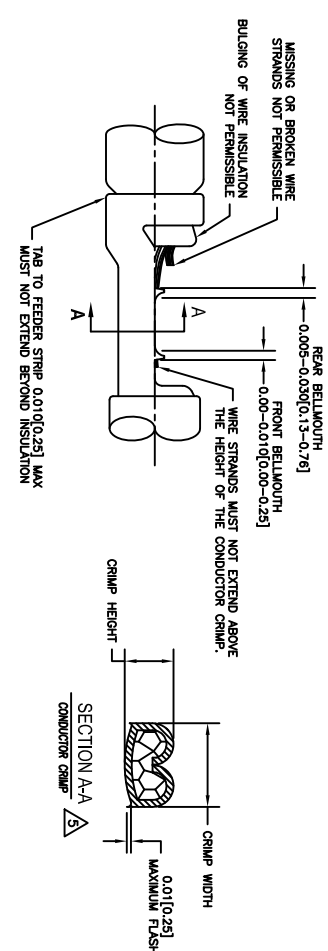
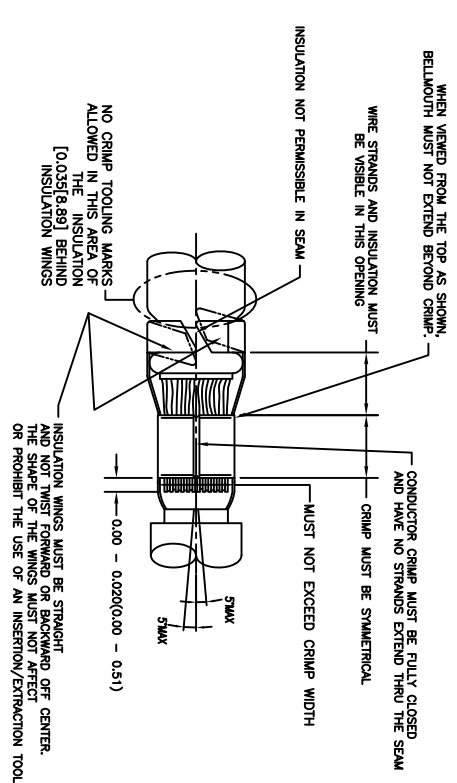
STAMPED CONTACT PART NUMBER 106=PIN 106=SOCKET	SIZE	CONDUCTOR WIRE SIZE	CRIMP HEIGHT	CRIMP WIDTH	CONDUCTOR PUNCH NUMBER	CONDUCTOR ANVIL NUMBER	CRIMP TENSILE REFERENCE
A780-14-011x A782-14-011x INSULATION RANGE 0.095-0.150(2.41-3.81)	16	14 AWG 2.00mm ² 1.50mm ² 16 AWG 1.00mm ² 18 AWG 0.75mm ²	0.055(1.40) 0.055(1.40) 0.055(1.39) 0.050(1.27) 0.049(1.24) 0.048(1.22)	±0.003 INCH [±0.08 mm]	AT17-002-0200	AT17-101-0200	28(111)
A780-16-011x A782-16-011x INSULATION RANGE 0.075-0.140(1.91-3.56)	16	14 AWG 2.00mm ² 1.50mm ² 16 AWG 1.00mm ² 18 AWG 0.75mm ²	0.051(1.29) 0.051(1.40) 0.051(1.35) 0.050(1.27) 0.049(1.24) 0.048(1.22)	±0.003 INCH [±0.08 mm]	AT17-003-0200	AT17-103-0200	28(111)
A780-16-066x A782-16-066x INSULATION RANGE 0.055-0.100(1.40-2.54)	16	16 AWG 1.00mm ² 0.75mm ² 20 AWG 0.50mm ²	0.050(1.27) 0.049(1.24) 0.048(1.22) 0.045(1.14)	±0.003 INCH [±0.08 mm]	AT17-003-0200	AT17-103-0200	28(111)

CROSS REFERENCE

SINE PART NUMBER	DEUTSCH PART NUMBER
MX-3950	DC116-02-00
AT17-002-0200	1017-002-0200
AT17-003-0200	1017-003-0200
AT17-101-0200	1017-101-0200
AT17-103-0200	1017-103-0200
AT17-210-0200	1017-210-0200
AT17-211-0200	1017-211-0200
AT17-213-0200	1017-213-0200
AT17-214-0200	1017-214-0200
AT17-217-0200	1017-217-0200
AT17-218-0200	1017-218-0200
AT17-310-0200	1017-310-0200
AT17-311-0200	1017-311-0200
AT17-313-0200	1017-313-0200
AT17-304-0200	1017-304-0200
AT17-317-0200	1017-317-0200

NOTES: UNLESS OTHERWISE SPECIFIED

1. ALL DIMENSIONS ARE IN INCHES(mm).
2. FORCES ARE IN POUNDS(LBS) AND NEWTONS(N).
3. "X"= PLATING SUFFIX. SEE INDIVIDUAL CONTACT DRAWING.
4. WIRE STRIP LENGTH: 0.175±0.029(4.45±0.74). BROKEN OR MISSING CONDUCTOR STRANDS ARE NOT ACCEPTABLE.
5. USE A BLADE MICROMEETER (0.100(2.54) MIN SPACING AND 0.060(0.010(1.50)(0.040) ANVIL) TO MEASURE THE CONDUCTOR CRIMP. SEE SECTION AA.
6. CRIMP TENSILE STRENGTH IS DETERMINED AT A PULL RATE SPEED OF 1.00 INCH(25.4) PER MINUTE. INSULATION WINGS ARE REMOVED FOR TEST. ACTUAL CRIMP TENSILE STRENGTH DEPENDS ON WIRE/CONDUCTOR SIZE. VALUES ON THIS SPECIFICATION ARE FOR REFERENCE ONLY.
7. INSULATION DIAMETER RANGE IS DETERMINED BY CONNECTOR AND ITS WIRE SEAL SIZE. SEE CONNECTOR DRAWING FOR INSULATION RANGE.
8. INSULATION CRIMP DIAMETER SHOULD BE THE EQUAL OR LESS THAN THE DIAMETER OF THE WIRE INSULATION (HARD OR TEFION INSULATION MAY BE AN EXCEPTION). INSULATION CRIMP SHALL NOT AFFECT REMOVAL TOOL PERFORMANCE AND SHALL NOT DAMAGE CONNECTOR GROMMET SEAL.
9. CONDUCTOR TYPE ARE PER SAE J1128(AWG) AND ISO 6722(METRIC)
10. FOR CONTACT MATERIAL AND PERFORMANCE DATA, SEE DRAWING S2-15217.
11. REFER TO S2-15223 AND S2-15224 AND CROSS REFERENCE CHARTS FOR CRIMP TOOL DATA.



ALL REFERENCES TO DEUTSCH PRODUCTS OR SPECIFICATIONS ARE FOR COMPARISON PURPOSES ONLY, AND REFER TO DEUTSCH INDUSTRIAL PRODUCTS.

QUANTITY	PART NUMBER	MATERIALS LIST	DESCRIPTION	ITEM
UNLESS OTHERWISE SPECIFIED	SIGNATURES	DATE		
1) All dimensions are in inches.	DATE	4/7/09		
2) All dimensions are in millimeters.	DATE	6/8/09		
3) Production Standards Per: ASME Y14.5-2001	ENGINEER	BERNIM		
4) Material: SS-20020	APPROVAL	BERNIM	6/8/09	
5) Material Specification: NA	CUSTOMER			
PROCESS SPECIFICATIONS:	THE USE OF THIS DRAWING IS SPECIFIC TO THE PART AND PERFORMANCE DATA. ANY CHANGES TO THE PART OR PERFORMANCE DATA MUST BE APPROVED BY THE ORIGINAL DESIGNER. ALL DIMENSIONS ARE SUBJECT TO REMOVAL DOCUMENTS REFERENCED HEREON UNLESS OTHERWISE SPECIFIED.			
SIZE: (P) (S) (M) (L) (H) (W) (D)	SCALE: NONE	S2-15222	S2-15222	A1
REV: A1	REV: A1	SHEET: 1	OF: 1	

SINE SYSTEMS CORPORATION
A Subsidiary of Amphenol Corporation
44724 Moley Drive
Clinton Township, MI 48036

CRIMP DATA, STAMPED CONTACTS FOR CRIMPER MX-3950

REVISIONS			
REV	ZONE	ECO	DESCRIPTION
A1	-	-	RELEASE NUMBER 016971
			DATE 6/12/09
			BY B.O.B.
			APP. M.F.F.

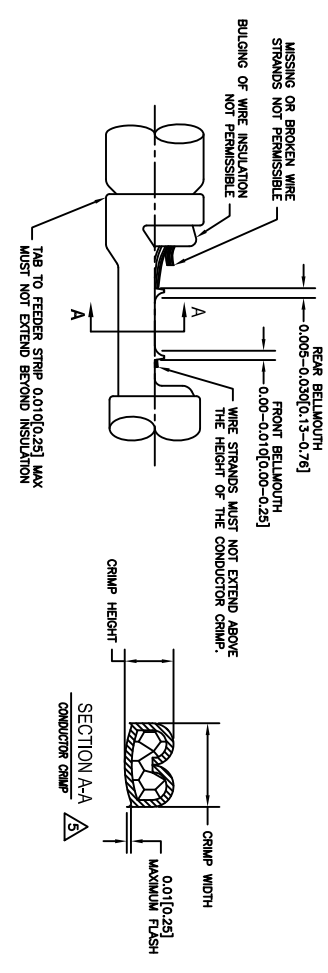
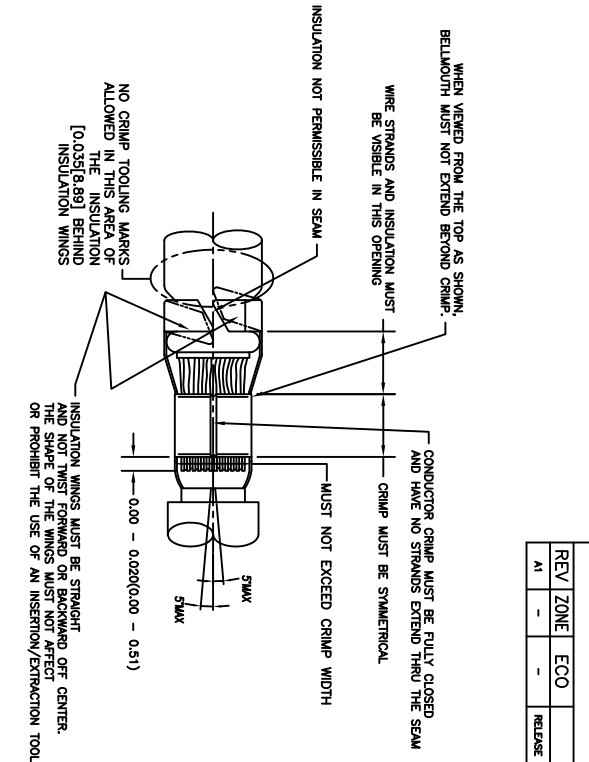
STAMPED CONTACT PART NUMBER (1009=PIN 1009=SOCKET)	SIZE	CONDUCTOR WIRE SIZE	CRIMP HEIGHT +0.001/-0.002 INCH (+0.025/-0.05 mm)	CRIMP WIDTH ±0.003 INCH (±0.08 mm)	CONDUCTOR PUNCH NUMBER	CONDUCTOR ANVIL NUMBER	CRIMP TENSILE REFERENCE (LBS/IN)
A160-14-011x A162-14-011x INSULATION RANGE 0.095-0.150(2.41-3.81)	16	14 AWG 2.00mm ² 1.50mm ² 16 AWG 1.00mm ² 18 AWG	0.0591(1.40) 0.0591(1.40) 0.0591(1.40) 0.0501(1.27) 0.0491(1.24)	0.094(2.39) 0.094(2.39) 0.094(2.39) 0.084(2.39) 0.084(2.39)		A117-4083-0200 A117-183-0200	291(111)
A160-16-011x A162-16-011x INSULATION RANGE 0.075-0.140(1.91-3.59)	16	14 AWG 2.00mm ² 1.50mm ² 16 AWG 1.00mm ² 18 AWG	0.0591(1.40) 0.0591(1.40) 0.0591(1.40) 0.0501(1.27) 0.0491(1.24)	0.094(2.39) 0.094(2.39) 0.094(2.39) 0.084(2.39) 0.084(2.39)		A117-4083-0200 A117-183-0200	291(111)
A160-16-066x A162-16-066x INSULATION RANGE 0.055-0.100(1.40-2.54)	16	16 AWG 1.00mm ² 0.75mm ² 20 AWG 0.50mm ²	0.0501(1.27) 0.0501(1.27) 0.0491(1.24) 0.0491(1.24)	0.079(2.01) 0.079(2.01) 0.079(2.01) 0.079(2.01)		A117-4082-0200 A117-182-0200	291(111) 19(67)

CROSS REFERENCE

INSULATION DIAMETER RANGE	INSULATION PUNCH NUMBER	INSULATION ANVIL NUMBER	SINE PART NUMBER	DEUTSCH PART NUMBER
0.120-0.150 [3.05-3.81]	A117-225-0200	A117-326-0200	MPX-3953	DCH1620-02-00
0.105-0.125 [2.67-3.18]	A117-226-0200	A117-326-0200	A117-083-0200	1017-083-0200
0.085-0.111 [2.16-2.82]	A117-227-0200	A117-327-0200	A117-082-0200	1017-082-0200
0.075-0.105 [1.91-2.67]	A117-228-0200	A117-328-0200	A117-183-0200	1017-183-0200
0.063-0.094 [1.62-2.39]	A117-229-0200	A117-329-0200	A117-182-0200	1017-182-0200
0.050-0.075 [1.27-1.91]	A117-230-0200	A117-330-0200	A117-225-0200	1017-225-0200
			A117-226-0200	1017-226-0200
			A117-227-0200	1017-227-0200
			A117-228-0200	1017-228-0200
			A117-229-0200	1017-229-0200
			A117-230-0200	1017-230-0200
			A117-325-0200	1017-325-0200
			A117-326-0200	1017-326-0200
			A117-327-0200	1017-327-0200
			A117-328-0200	1017-328-0200
			A117-329-0200	1017-329-0200
			A117-330-0200	1017-330-0200

NOTES: UNLESS OTHERWISE SPECIFIED

1. ALL DIMENSIONS ARE IN INCHES(mm).
2. FORCES ARE IN POUNDS(LBS) AND NEWTONS(N).
3. "X"= PLATING SUFFIX. SEE INDIVIDUAL CONTACT DRAWING.
4. WIRE STRIP LENGTH: 0.175±0.029(4.43±0.74). BROKEN OR MISSING CONDUCTOR STRANDS ARE NOT ACCEPTABLE.
5. USE A BLADE MICROMETER (0.100[2.54] MIN SPINDLE AND 0.060[0.010][1.50][0.040] ANVIL) TO MEASURE THE CONDUCTOR CRIMP. SEE SECTION AA.
6. CRIMP TENSILE STRENGTH IS DETERMINED AT A PULL RATE SPEED OF 1.00 INCH(2.54) PER MINUTE. INSULATION WINGS ARE REMOVED FOR TEST. ACTUAL CRIMP TENSILE STRENGTH DEPENDS ON WIRE/CONDUCTOR SIZE. VALUES ON THIS SPECIFICATION ARE FOR REFERENCE ONLY.
7. INSULATION DIAMETER RANGE IS DETERMINED BY CONNECTOR AND ITS WIRE SEAL SIZE. SEE CONNECTOR DRAWING FOR INSULATION RANGE.
8. INSULATION CRIMP DIAMETER SHOULD BE THE EQUAL OR LESS THAN THE DIAMETER OF THE WIRE INSULATION (HARD OR TEFION INSULATION MAY BE AN EXCEPTION). INSULATION CRIMP SHALL NOT AFFECT REMOVAL TOOL PERFORMANCE AND SHALL NOT DAMAGE CONNECTOR GROMMET SEAL.
9. CONDUCTOR TYPE ARE PER SAE J1128(AWG) AND ISO 6122(METRIC)
10. FOR CONTACT MATERIAL AND PERFORMANCE DATA, SEE DRAWING S2-15217.
11. REFER TO S2-15223 AND S2-15224 AND CROSS REFERENCE CHARTS FOR CRIMP TOOL DATA.



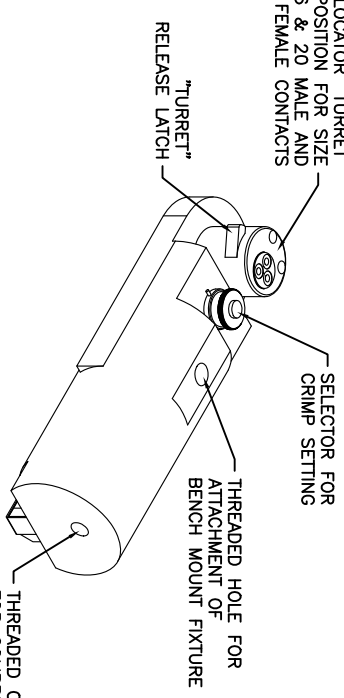
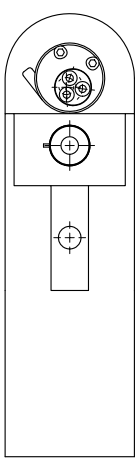
ALL REFERENCES TO DEUTSCH PRODUCTS OR SPECIFICATIONS ARE FOR COMPARISON PURPOSES ONLY, AND REFER TO DEUTSCH INDUSTRIAL PRODUCTS.

QUANTITY	PART NUMBER	MATERIALS LIST	DESCRIPTION	ITEM
UNLESS OTHERWISE SPECIFIED	SIGNATURES	DATE		
1) All dimensions are in inches.	DATE	4/7/09		
2) All dimensions are in millimeters.	DATE	6/8/09		
3) Production Standard Per: Alpha S1*	ENGINEER	BERNIM		
4) Form: S2-20020	APPROVAL	BERNIM	6/8/09	
5) Material Specification:	CUSTOMER			
6) Material Specification:				
7) Material Specification:				
8) Material Specification:				
9) Material Specification:				
10) Material Specification:				
11) Material Specification:				
12) Material Specification:				
13) Material Specification:				
14) Material Specification:				
15) Material Specification:				
16) Material Specification:				
17) Material Specification:				
18) Material Specification:				
19) Material Specification:				
20) Material Specification:				
21) Material Specification:				
22) Material Specification:				
23) Material Specification:				
24) Material Specification:				
25) Material Specification:				
26) Material Specification:				
27) Material Specification:				
28) Material Specification:				
29) Material Specification:				
30) Material Specification:				
31) Material Specification:				
32) Material Specification:				
33) Material Specification:				
34) Material Specification:				
35) Material Specification:				
36) Material Specification:				
37) Material Specification:				
38) Material Specification:				
39) Material Specification:				
40) Material Specification:				
41) Material Specification:				
42) Material Specification:				
43) Material Specification:				
44) Material Specification:				
45) Material Specification:				
46) Material Specification:				
47) Material Specification:				
48) Material Specification:				
49) Material Specification:				
50) Material Specification:				
51) Material Specification:				
52) Material Specification:				
53) Material Specification:				
54) Material Specification:				
55) Material Specification:				
56) Material Specification:				
57) Material Specification:				
58) Material Specification:				
59) Material Specification:				
60) Material Specification:				
61) Material Specification:				
62) Material Specification:				
63) Material Specification:				
64) Material Specification:				
65) Material Specification:				
66) Material Specification:				
67) Material Specification:				
68) Material Specification:				
69) Material Specification:				
70) Material Specification:				
71) Material Specification:				
72) Material Specification:				
73) Material Specification:				
74) Material Specification:				
75) Material Specification:				
76) Material Specification:				
77) Material Specification:				
78) Material Specification:				
79) Material Specification:				
80) Material Specification:				
81) Material Specification:				
82) Material Specification:				
83) Material Specification:				
84) Material Specification:				
85) Material Specification:				
86) Material Specification:				
87) Material Specification:				
88) Material Specification:				
89) Material Specification:				
90) Material Specification:				
91) Material Specification:				
92) Material Specification:				
93) Material Specification:				
94) Material Specification:				
95) Material Specification:				
96) Material Specification:				
97) Material Specification:				
98) Material Specification:				
99) Material Specification:				
100) Material Specification:				

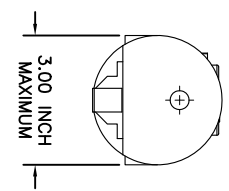
CRIMP DATA, STAMPED CONTACTS	SIZE (P/N) (M/F) (M/F)	SCALE	SIZE	SCALE	SIZE	SCALE
	10K44	C	10K44	C	10K44	C
	S2-15221	S2-15221	S2-15221	S2-15221	S2-15221	S2-15221
	1	1	1	1	1	1
	1	1	1	1	1	1

REVOLUTIONS		DESCRIPTION	DATE	BY	APPR
REV	ZONE	ECO	RELEASE NUMBER 016571	B.D.B.	M.R.F.
A1	-	-	6/12/09		

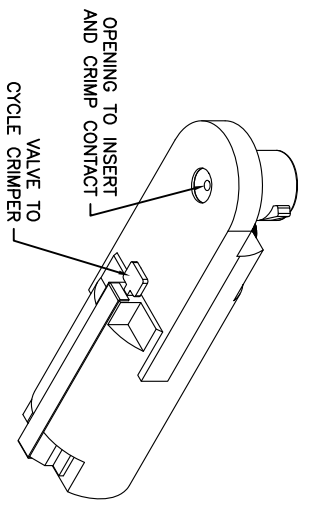
CONTACT LOCATOR "TURRET"
THREE POSITION FOR SIZE
12, 16 & 20 MALE AND
FEMALE CONTACTS



THREADED OPENING
FOR COMPRESSED
AIR FITTING



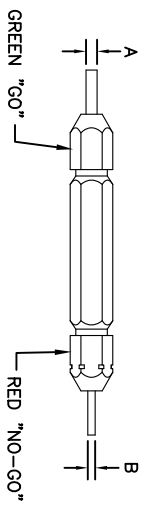
- THE CA-5E12 IS A COMPRESSED AIR OPERATED HAND CRIMPER FOR ELECTRICAL CONTACTS. IT IS ADJUSTABLE TO 3 CONTACT SIZES (12, 16 & 20) AND 8 INDENTER CRIMP POSITIONS FOR DIFFERENT WIRE SIZES (12AWG THRU 26 AWG).
- 80-120 PSI COMPRESSED AIR.
- WEIGHT: 3.1 LBS
- SELECTING CONTACT SIZE: PRESS THE RELEASE LATCH ON SIDE OF THE CONTACT LOCATOR "TURRET". ROTATE TO THE DESIRED CONTACT SIZE. THE TOP OF THE "TURRET" IS EMBOSSED WITH THE CONTACT SIZES.
- SELECTING WIRE SIZE: GRASP THE SELECTOR AND ROTATE TO THE DESIRED NUMBER.



GAGE PART NO.	A GO DIA.	B NO-GO DIA.	SELECTOR NUMBER
G125	.0390	.0440	4

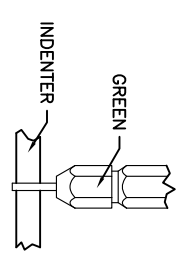
GAGING INSTRUCTIONS

CAUTION!
DO NOT CRIMP GAGE!

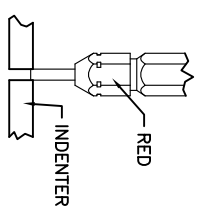


"GO" GAGING: OPERATE TOOL TO FULLY CLOSED POSITION. INSERT "GO" GAGE END AS SHOWN. GAGE MUST PASS FREELY BETWEEN INDENTER TIPS.

"NO-GO" GAGING: OPERATE TOOL TO FULLY CLOSED POSITION. INSERT "NO-GO" GAGE END AS SHOWN. THE "NO-GO" MAY PARTIALLY ENTER THE INDENTER OPENING, BUT MUST NOT PASS COMPLETELY THROUGH THE OPENING.



SELECTOR NUMBER	A GO DIA.	B NO-GO DIA.
1	.0280	.0330
2	.0320	.0370
3	.0360	.0410
4	.0390	.0440
5	.0450	.0500
6	.0520	.0570
7	.0590	.0640
8	.0880	.0730



CONTACT SIZE	LOCATOR "TURRET" POSITION COLOR	26 AWG WIRE	24 AWG WIRE	22 AWG WIRE	20 AWG WIRE	18 AWG WIRE	16 AWG WIRE	14 AWG WIRE	12 AWG WIRE
20-20	RED	1	2	3	4				
16-22	BLUE	4	5	6					
16-20	BLUE	1	2	3	4				
16-16	BLUE				4	5	6		
12-16	YELLOW				4	5	6		
12-12	YELLOW							7	8

QUANTITY	PART NUMBER	DESCRIPTION	ITEM
		MATERIALS LIST	

SINE Systems Corporation
A Subsidiary of Amphenol Corporation
44724 Mowley Drive
Canton Township, MI 48036

INSTRUCTIONS FOR CA-5E12 CRIMPER, PNEUMATIC

SIZE: 10K44
SCALE: NONE
S2-15220
SHEET 1 OF 1

UNLESS OTHERWISE SPECIFIED:
1) All dimensions are in inches.
2) Tolerances shall conform to ASME Y14.5-2001.
3) Pl. SEC. 40.01 Features 3.1/4.
4) Pl. SEC. 40.01 Angles 3.1/4.
5) Fabrication Standard: Per:
a) ASME, Y14.5-2001
b) ASME, Y14.3-2002
c) ASME, Y14.4-2002
d) ASME, Y14.3-2002
e) ASME, Y14.3-2002
f) ASME, Y14.3-2002
g) ASME, Y14.3-2002
h) ASME, Y14.3-2002
i) ASME, Y14.3-2002
j) ASME, Y14.3-2002
k) ASME, Y14.3-2002
l) ASME, Y14.3-2002
m) ASME, Y14.3-2002
n) ASME, Y14.3-2002
o) ASME, Y14.3-2002
p) ASME, Y14.3-2002
q) ASME, Y14.3-2002
r) ASME, Y14.3-2002
s) ASME, Y14.3-2002
t) ASME, Y14.3-2002
u) ASME, Y14.3-2002
v) ASME, Y14.3-2002
w) ASME, Y14.3-2002
x) ASME, Y14.3-2002
y) ASME, Y14.3-2002
z) ASME, Y14.3-2002

REV ZONE		ECO		REVISIONS		DESCRIPTION	DATE	BY	APPR
AI	-	-	-	RELEASE NUMBER	016571		6/12/09	B.D.B.	M.R.F.

CONTACT LOCATOR
"TURRET"
THREE POSITIONS FOR
SIZE 12, 16 & 20 MALE
AND FEMALE CONTACTS

"TURRET" RELEASE LATCH

6.25 INCH
MAXIMUM
OPEN

2.30 INCH
MAXIMUM
CLOSED

SELECTOR FOR CRIMP
SETTING

1.125 INCH MAX.

9.75 INCH MAXIMUM

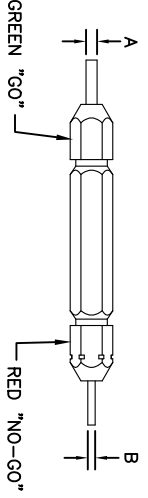
1.00 INCH MAX.

- NOTES:
- THE CA-5D12 IS A HAND OPERATED CRIMPER FOR ELECTRICAL CONTACTS. IT IS ADJUSTABLE TO 3 CONTACT SIZES (12, 16 & 20) AND 8 INDENTER CRIMP POSITIONS FOR DIFFERENT WIRE SIZES (12AWG THRU 26 AWG).
 - WEIGHT: 1.64 LBS
 - SELECTING CONTACT SIZE: PRESS THE RELEASE LATCH ON SIDE OF THE CONTACT LOCATOR "TURRET". ROTATE TO THE DESIRED CONTACT SIZE. THE TOP OF THE "TURRET" IS EMBOSSED WITH THE CONTACT SIZES.
 - SELECTING WIRE SIZE: REMOVE THE LOCKING CLIP. GRASP THE SELECTOR AND ROTATE TO THE DESIRED NUMBER.

GAGE PART NO.	A GO DIA.	B NO-GO DIA.	SELECTOR NUMBER
G125	.0390	.0440	4

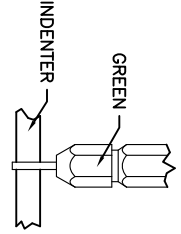
GAGING INSTRUCTIONS

CAUTION!
DO NOT CRIMP GAGE!

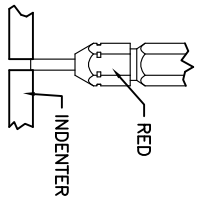


"GO" GAGING: OPERATE TOOL TO FULLY CLOSED POSITION. INSERT "GO" GAGE END AS SHOWN. GAGE MUST PASS FREELY BETWEEN INDENTER TIPS.

"NO-GO" GAGING: OPERATE TOOL TO FULLY CLOSED POSITION. INSERT "NO-GO" GAGE END AS SHOWN. THE "NO-GO" MAY PARTIALLY ENTER THE INDENTER OPENING, BUT MUST NOT PASS COMPLETELY THROUGH THE OPENING.



SELECTOR NUMBER	A GO DIA.	B NO-GO DIA.
1	.0280	.0330
2	.0320	.0370
3	.0360	.0410
4	.0390	.0440
5	.0450	.0500
6	.0520	.0570
7	.0590	.0640
8	.0880	.0730



CONTACT SIZE	LOCATOR "TURRET" POSITION	WIRE COLOR	SELECTOR NUMBER		
20-20	RED	1	2	3	4
16-22	BLUE	4	5	6	
16-20	BLUE	1	2	3	4
16-16	BLUE	4	5	6	
12-16	YELLOW	4	5	6	
12-12	YELLOW			7	8

QUANTITY	PART NUMBER	DESCRIPTION	ITEM

MATERIALS LIST		SIGNATURES		DATE	
UNLESS OTHERWISE SPECIFIED					
1) All dimensions are in inches.					
2) Pl. SEC. 34.00					
3) Pl. SEC. 34.00					
4) Pl. SEC. 34.00					
5) Pl. SEC. 34.00					
6) Pl. SEC. 34.00					
7) Pl. SEC. 34.00					
8) Pl. SEC. 34.00					
9) Pl. SEC. 34.00					
10) Pl. SEC. 34.00					
11) Pl. SEC. 34.00					
12) Pl. SEC. 34.00					
13) Pl. SEC. 34.00					
14) Pl. SEC. 34.00					
15) Pl. SEC. 34.00					
16) Pl. SEC. 34.00					
17) Pl. SEC. 34.00					
18) Pl. SEC. 34.00					
19) Pl. SEC. 34.00					
20) Pl. SEC. 34.00					
21) Pl. SEC. 34.00					
22) Pl. SEC. 34.00					
23) Pl. SEC. 34.00					
24) Pl. SEC. 34.00					
25) Pl. SEC. 34.00					
26) Pl. SEC. 34.00					
27) Pl. SEC. 34.00					
28) Pl. SEC. 34.00					
29) Pl. SEC. 34.00					
30) Pl. SEC. 34.00					
31) Pl. SEC. 34.00					
32) Pl. SEC. 34.00					
33) Pl. SEC. 34.00					
34) Pl. SEC. 34.00					
35) Pl. SEC. 34.00					
36) Pl. SEC. 34.00					
37) Pl. SEC. 34.00					
38) Pl. SEC. 34.00					
39) Pl. SEC. 34.00					
40) Pl. SEC. 34.00					
41) Pl. SEC. 34.00					
42) Pl. SEC. 34.00					
43) Pl. SEC. 34.00					
44) Pl. SEC. 34.00					
45) Pl. SEC. 34.00					
46) Pl. SEC. 34.00					
47) Pl. SEC. 34.00					
48) Pl. SEC. 34.00					
49) Pl. SEC. 34.00					
50) Pl. SEC. 34.00					
51) Pl. SEC. 34.00					
52) Pl. SEC. 34.00					
53) Pl. SEC. 34.00					
54) Pl. SEC. 34.00					
55) Pl. SEC. 34.00					
56) Pl. SEC. 34.00					
57) Pl. SEC. 34.00					
58) Pl. SEC. 34.00					
59) Pl. SEC. 34.00					
60) Pl. SEC. 34.00					
61) Pl. SEC. 34.00					
62) Pl. SEC. 34.00					
63) Pl. SEC. 34.00					
64) Pl. SEC. 34.00					
65) Pl. SEC. 34.00					
66) Pl. SEC. 34.00					
67) Pl. SEC. 34.00					
68) Pl. SEC. 34.00					
69) Pl. SEC. 34.00					
70) Pl. SEC. 34.00					
71) Pl. SEC. 34.00					
72) Pl. SEC. 34.00					
73) Pl. SEC. 34.00					
74) Pl. SEC. 34.00					
75) Pl. SEC. 34.00					
76) Pl. SEC. 34.00					
77) Pl. SEC. 34.00					
78) Pl. SEC. 34.00					
79) Pl. SEC. 34.00					
80) Pl. SEC. 34.00					
81) Pl. SEC. 34.00					
82) Pl. SEC. 34.00					
83) Pl. SEC. 34.00					
84) Pl. SEC. 34.00					
85) Pl. SEC. 34.00					
86) Pl. SEC. 34.00					
87) Pl. SEC. 34.00					
88) Pl. SEC. 34.00					
89) Pl. SEC. 34.00					
90) Pl. SEC. 34.00					
91) Pl. SEC. 34.00					
92) Pl. SEC. 34.00					
93) Pl. SEC. 34.00					
94) Pl. SEC. 34.00					
95) Pl. SEC. 34.00					
96) Pl. SEC. 34.00					
97) Pl. SEC. 34.00					
98) Pl. SEC. 34.00					
99) Pl. SEC. 34.00					
100) Pl. SEC. 34.00					

INSTRUCTIONS FOR CA-5D12
CRIMPER, HAND, MACHINED CONTACTS

SIZE: 10K44
SCALE: NONE
S2-15219
SHEET: 1 OF 1

REVISIONS
DATE
BY
APPR

REVISIONS						
REV	ZONE	ECO	DESCRIPTION	DATE	BY	APPR
A1	-	-	RELEASE NUMBER 016571	6/12/09	B.D.B.	M.R.F.

SOLID CONTACT SIZE	SOLID CONTACT PART NUMBERS		WIRE SIZE AVG (mm ²)	RECOMMENDED STRIP LENGTH INCH (mm)	MIN CONTACT RETENTION LBS (N)	REF CRIMP TENSILE LBS (N)	MAX RATED AMPS @125°C CONTINUOUS
	SOCKET	SOCKET					
16	AT80-202-16**	AT82-201-16**	16-20 [1.5-0.5]	0.25-0.31 [6.35-7.92]	25 [1111]	35-20 [156-89]	13

S&P CONTACT SIZE	STAMPED CONTACT PART NUMBERS		WIRE SIZE AVG (mm ²)	WIRE INSULATION O.D. RANGE	RECOMMENDED STRIP LENGTH INCH (mm)	MIN CONTACT RETENTION LBS (N)	REF CRIMP TENSILE LBS (N)	MAX RATED AMPS @125°C CONTINUOUS
	SOCKET	SOCKET						
16	AT60-14-01**	AT62-14-01**	14-16 [2.0-1.0]	.100 - .150 [2.54 - 3.81]	0.150-0.200 [3.81-5.08]	25 [1111]	25 [1111]	13
16	AT60-16-01**	AT62-16-01**	16-18 [1.0-0.75]	.075 - .100 [1.90 - 2.54]	0.150-0.200 [3.81-5.08]	25 [1111]	25 [1111]	13
16	AT60-16-06**	AT62-16-06**	18-20 [0.75-0.50]	.055 - .095 [1.40 - 2.41]	0.150-0.200 [3.81-5.08]	25 [1111]	25-15 [111+67]	13

WIRE AWG	CONTACT RESISTANCE STRENGTH (LESS DROP THROUGH WIRE)		
	TEST CURRENT	MILLIVOLT DROP SOLID	MILLIVOLT DROP S&P
14	18	60	100
16	13	60	100
18	10	60	100
20	7.5	60	100

MATERIAL SPECIFICATION AND PLATING ** CODES	
PIN: COPPER ALLOY	
SOCKET: COPPER ALLOY WITH STAINLESS STEEL SLEEVE	
SOLID MACHINED CONTACT PLATING OPTIONS: Δ	31= GOLD*
	141= NICKEL
STAMPED CONTACT PLATING OPTIONS: Δ	22= NICKEL
	44= GOLD*
	89= SELECTIVE GOLD*

NOTES: UNLESS OTHERWISE SPECIFIED

1. ALL DIMENSIONS ARE INCHES(MM).
2. ALL FORCES ARE IN LBS(POUNDS) AND "N" (NEWTONS).
3. CONTACT RETENTION TEST PULL RATE SHALL BE 1.0 INCH/25.4 PER MINUTE MAXIMUM. WIRE SIZE WILL AFFECT THE TRUE STRENGTH OF THE CRIMP.
4. WIRE SIZES AND INSULATION RANGES ARE FOR REFERENCE ONLY. THE ACTUAL INSULATION RANGE DEPENDS ON CONNECTOR GROMMET SEALING SIZE.

SOLID CONTACTS	SIZE	*STAMPED* CONTACTS	SIZE
	S2-15218	S2-15222	16
		S2-15221	16/20

SEE SPECIFICATIONS LISTED BELOW FOR INDIVIDUAL CRIMP INFORMATION:

Δ MAXIMUM RATED CURRENT IN CHART DEPENDS ON CONTACT SIZE. ACTUAL RATED CURRENT DEPENDS ON WIRE SIZE.

Δ CONTACT FACTORY FOR ALL AVAILABLE PLATING ON SPECIFIC CONTACTS.

Δ AMPHENOL SINE PERFORMANCE SPECIFICATIONS REQUIRE THE USE OF AMPHENOL SINE APPROVED TOOLING.

QUANTITY	PART NUMBER	DESCRIPTION	ITEM
MATERIALS LIST			
UNLESS OTHERWISE SPECIFIED			
1) All dimensions are in inches.			
2) Plating on all surfaces unless otherwise noted.			
3) Plating on all surfaces unless otherwise noted.			
4) Plating on all surfaces unless otherwise noted.			
5) Plating on all surfaces unless otherwise noted.			
6) Plating on all surfaces unless otherwise noted.			
7) Plating on all surfaces unless otherwise noted.			
8) Plating on all surfaces unless otherwise noted.			
9) Plating on all surfaces unless otherwise noted.			
10) Plating on all surfaces unless otherwise noted.			
11) Plating on all surfaces unless otherwise noted.			
12) Plating on all surfaces unless otherwise noted.			
13) Plating on all surfaces unless otherwise noted.			
14) Plating on all surfaces unless otherwise noted.			
15) Plating on all surfaces unless otherwise noted.			
16) Plating on all surfaces unless otherwise noted.			
17) Plating on all surfaces unless otherwise noted.			
18) Plating on all surfaces unless otherwise noted.			
19) Plating on all surfaces unless otherwise noted.			
20) Plating on all surfaces unless otherwise noted.			
21) Plating on all surfaces unless otherwise noted.			
22) Plating on all surfaces unless otherwise noted.			
23) Plating on all surfaces unless otherwise noted.			
24) Plating on all surfaces unless otherwise noted.			
25) Plating on all surfaces unless otherwise noted.			
26) Plating on all surfaces unless otherwise noted.			
27) Plating on all surfaces unless otherwise noted.			
28) Plating on all surfaces unless otherwise noted.			
29) Plating on all surfaces unless otherwise noted.			
30) Plating on all surfaces unless otherwise noted.			
31) Plating on all surfaces unless otherwise noted.			
32) Plating on all surfaces unless otherwise noted.			
33) Plating on all surfaces unless otherwise noted.			
34) Plating on all surfaces unless otherwise noted.			
35) Plating on all surfaces unless otherwise noted.			
36) Plating on all surfaces unless otherwise noted.			
37) Plating on all surfaces unless otherwise noted.			
38) Plating on all surfaces unless otherwise noted.			
39) Plating on all surfaces unless otherwise noted.			
40) Plating on all surfaces unless otherwise noted.			
41) Plating on all surfaces unless otherwise noted.			
42) Plating on all surfaces unless otherwise noted.			
43) Plating on all surfaces unless otherwise noted.			
44) Plating on all surfaces unless otherwise noted.			
45) Plating on all surfaces unless otherwise noted.			
46) Plating on all surfaces unless otherwise noted.			
47) Plating on all surfaces unless otherwise noted.			
48) Plating on all surfaces unless otherwise noted.			
49) Plating on all surfaces unless otherwise noted.			
50) Plating on all surfaces unless otherwise noted.			
51) Plating on all surfaces unless otherwise noted.			
52) Plating on all surfaces unless otherwise noted.			
53) Plating on all surfaces unless otherwise noted.			
54) Plating on all surfaces unless otherwise noted.			
55) Plating on all surfaces unless otherwise noted.			
56) Plating on all surfaces unless otherwise noted.			
57) Plating on all surfaces unless otherwise noted.			
58) Plating on all surfaces unless otherwise noted.			
59) Plating on all surfaces unless otherwise noted.			
60) Plating on all surfaces unless otherwise noted.			
61) Plating on all surfaces unless otherwise noted.			
62) Plating on all surfaces unless otherwise noted.			
63) Plating on all surfaces unless otherwise noted.			
64) Plating on all surfaces unless otherwise noted.			
65) Plating on all surfaces unless otherwise noted.			
66) Plating on all surfaces unless otherwise noted.			
67) Plating on all surfaces unless otherwise noted.			
68) Plating on all surfaces unless otherwise noted.			
69) Plating on all surfaces unless otherwise noted.			
70) Plating on all surfaces unless otherwise noted.			
71) Plating on all surfaces unless otherwise noted.			
72) Plating on all surfaces unless otherwise noted.			
73) Plating on all surfaces unless otherwise noted.			
74) Plating on all surfaces unless otherwise noted.			
75) Plating on all surfaces unless otherwise noted.			
76) Plating on all surfaces unless otherwise noted.			
77) Plating on all surfaces unless otherwise noted.			
78) Plating on all surfaces unless otherwise noted.			
79) Plating on all surfaces unless otherwise noted.			
80) Plating on all surfaces unless otherwise noted.			
81) Plating on all surfaces unless otherwise noted.			
82) Plating on all surfaces unless otherwise noted.			
83) Plating on all surfaces unless otherwise noted.			
84) Plating on all surfaces unless otherwise noted.			
85) Plating on all surfaces unless otherwise noted.			
86) Plating on all surfaces unless otherwise noted.			
87) Plating on all surfaces unless otherwise noted.			
88) Plating on all surfaces unless otherwise noted.			
89) Plating on all surfaces unless otherwise noted.			
90) Plating on all surfaces unless otherwise noted.			
91) Plating on all surfaces unless otherwise noted.			
92) Plating on all surfaces unless otherwise noted.			
93) Plating on all surfaces unless otherwise noted.			
94) Plating on all surfaces unless otherwise noted.			
95) Plating on all surfaces unless otherwise noted.			
96) Plating on all surfaces unless otherwise noted.			
97) Plating on all surfaces unless otherwise noted.			
98) Plating on all surfaces unless otherwise noted.			
99) Plating on all surfaces unless otherwise noted.			
100) Plating on all surfaces unless otherwise noted.			

Компания «Океан Электроники» предлагает заключение долгосрочных отношений при поставках импортных электронных компонентов на взаимовыгодных условиях!

Наши преимущества:

- Поставка оригинальных импортных электронных компонентов напрямую с производств Америки, Европы и Азии, а так же с крупнейших складов мира;
- Широкая линейка поставок активных и пассивных импортных электронных компонентов (более 30 млн. наименований);
- Поставка сложных, дефицитных, либо снятых с производства позиций;
- Оперативные сроки поставки под заказ (от 5 рабочих дней);
- Экспресс доставка в любую точку России;
- Помощь Конструкторского Отдела и консультации квалифицированных инженеров;
- Техническая поддержка проекта, помощь в подборе аналогов, поставка прототипов;
- Поставка электронных компонентов под контролем ВП;
- Система менеджмента качества сертифицирована по Международному стандарту ISO 9001;
- При необходимости вся продукция военного и аэрокосмического назначения проходит испытания и сертификацию в лаборатории (по согласованию с заказчиком);
- Поставка специализированных компонентов военного и аэрокосмического уровня качества (Xilinx, Altera, Analog Devices, Intersil, Interpoint, Microsemi, Actel, Aeroflex, Peregrine, VPT, Syfer, Eurofarad, Texas Instruments, MS Kennedy, Miteq, Cobham, E2V, MA-COM, Hittite, Mini-Circuits, General Dynamics и др.);

Компания «Океан Электроники» является официальным дистрибьютором и эксклюзивным представителем в России одного из крупнейших производителей разъемов военного и аэрокосмического назначения «JONHON», а так же официальным дистрибьютором и эксклюзивным представителем в России производителя высокотехнологичных и надежных решений для передачи СВЧ сигналов «FORSTAR».



JONHON

«JONHON» (основан в 1970 г.)

Разъемы специального, военного и аэрокосмического назначения:

(Применяются в военной, авиационной, аэрокосмической, морской, железнодорожной, горно- и нефтедобывающей отраслях промышленности)

«FORSTAR» (основан в 1998 г.)

ВЧ соединители, коаксиальные кабели, кабельные сборки и микроволновые компоненты:

(Применяются в телекоммуникациях гражданского и специального назначения, в средствах связи, РЛС, а так же военной, авиационной и аэрокосмической отраслях промышленности).



Телефон: 8 (812) 309-75-97 (многоканальный)

Факс: 8 (812) 320-03-32

Электронная почта: ocean@oceanchips.ru

Web: <http://oceanchips.ru/>

Адрес: 198099, г. Санкт-Петербург, ул. Калинина, д. 2, корп. 4, лит. А