

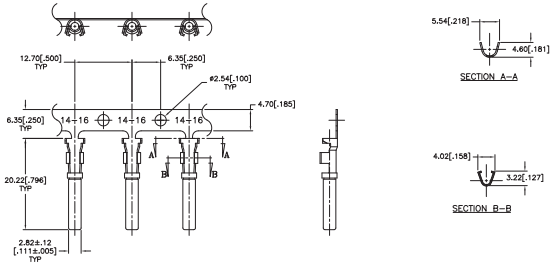
STAMPED AND FORMED CONTACTS, PG 1 of 2

Click on [blue underlined part numbers](#) to be taken to their spec sheets.

OPTIONS

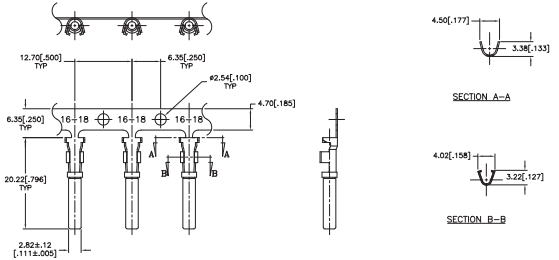
PART NUMBER: [AT62-14-01XX](#)
DESCRIPTION: CONTACT, SOCKET, STAMPED, SIZE 16

MATERIAL:
 CONTACT BODY: COPPER ALLOY
 HOOD: STAINLESS STEEL
PLATING SUFFIX CODE:
 XX=22 NICKEL PLATING
 XX=44 GOLD PLATING
CONTACT GENERAL DATA SPECIFICATION: S2-15217
AVAILABLE CRIMPERS: ATT-16-00, MFX-3950 & MFX-3953
CRIMPER SPECIFICATIONS: S2-15223 & S2-15224
CRIMP INFORMATION DRAWING: S2-15221 & S2-15222
CONTACTS PER REEL: APPROX. 4000 (PARTIAL REELS AVAILABLE)



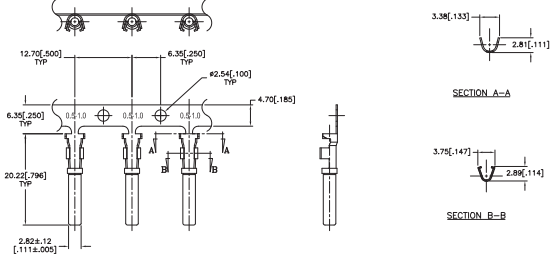
PART NUMBER: [AT62-16-01XX](#)
DESCRIPTION: CONTACT, SOCKET, STAMPED, SIZE 16

MATERIAL:
 CONTACT BODY: COPPER ALLOY
 HOOD: STAINLESS STEEL
PLATING SUFFIX CODE:
 XX=22 NICKEL PLATING
 XX=44 GOLD PLATING
CONTACT GENERAL DATA SPECIFICATION: S2-15217
AVAILABLE CRIMPERS: ATT-16-00, ATT-16-01, MFX-3950 & MFX-3953
CRIMPER SPECIFICATIONS: S2-15223 & S2-15224
CRIMP INFORMATION DRAWING: S2-15221 & S2-15222
CONTACTS PER REEL: APPROX. 4000 (PARTIAL REELS AVAILABLE)



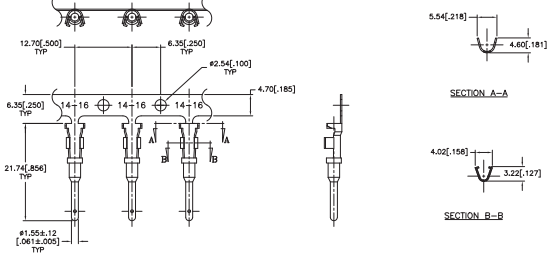
PART NUMBER: [AT62-16-06XX](#)
DESCRIPTION: CONTACT, SOCKET, STAMPED, SIZE 16

MATERIAL:
 CONTACT BODY: COPPER ALLOY
 HOOD: STAINLESS STEEL
PLATING SUFFIX CODE:
 XX=22 NICKEL PLATING
 XX=44 GOLD PLATING
CONTACT GENERAL DATA SPECIFICATION: S2-15217
AVAILABLE CRIMPERS: ATT-16-01, MFX-3950 & MFX-3953
CRIMPER SPECIFICATIONS: S2-15223 & S2-15224
CRIMP INFORMATION DRAWING: S2-15221 & S2-15222
CONTACTS PER REEL: APPROX. 4000 (PARTIAL REELS AVAILABLE)



PART NUMBER: [AT60-14-01XX](#)
DESCRIPTION: CONTACT, PIN, STAMPED, SIZE 16

MATERIAL: COPPER ALLOY
PLATING SUFFIX CODE:
 XX=22 NICKEL PLATING
 XX=44 GOLD PLATING
CONTACT GENERAL DATA SPECIFICATION: S2-15217
AVAILABLE CRIMPERS: ATT-16-00, MFX-3950 & MFX-3953
CRIMPER SPECIFICATIONS: S2-15223 & S2-15224
CRIMP INFORMATION DRAWING: S2-15221 & S2-15222
CONTACTS PER REEL: APPROX. 4000 (PARTIAL REELS AVAILABLE)

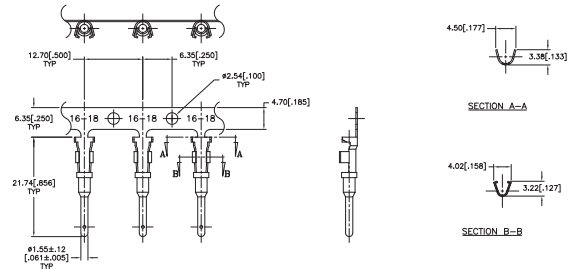


STAMPED AND FORMED CONTACTS, PG 2 of 2

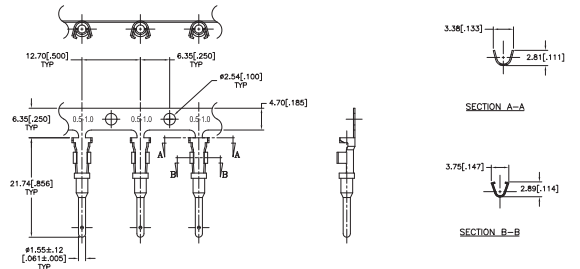
Click on [blue underlined part numbers](#) to be taken to their spec sheets.

OPTIONS

PART NUMBER: [AT60-16-01XX](#)
DESCRIPTION: CONTACT, PIN, STAMPED, SIZE 16
MATERIAL: COPPER ALLOY
PLATING SUFFIX CODE:
 XX=22 NICKEL PLATING
 XX=44 GOLD PLATING
CONTACT GENERAL DATA SPECIFICATION: S2-15217
AVAILABLE CRIMPERS: ATT-16-00, ATT-16-01, MFX-3950 & MFX-3953
CRIMPER SPECIFICATIONS: S2-15223 & S2-15224
CRIMP INFORMATION DRAWING: S2-15221 & S2-15222
CONTACTS PER REEL: APPROX. 4000 (PARTIAL REELS AVAILABLE)



PART NUMBER: [AT60-16-06XX](#)
DESCRIPTION: CONTACT, PIN, STAMPED, SIZE 16
MATERIAL: COPPER ALLOY
PLATING SUFFIX CODE:
 XX=22 NICKEL PLATING
 XX=44 GOLD PLATING
CONTACT GENERAL DATA SPECIFICATION: S2-15217
AVAILABLE CRIMPERS: ATT-16-01, MFX-3950 & MFX-3953
CRIMPER SPECIFICATIONS: S2-15223 & S2-15224
CRIMP INFORMATION DRAWING: S2-15221 & S2-15222
CONTACTS PER REEL: APPROX. 4000 (PARTIAL REELS AVAILABLE)



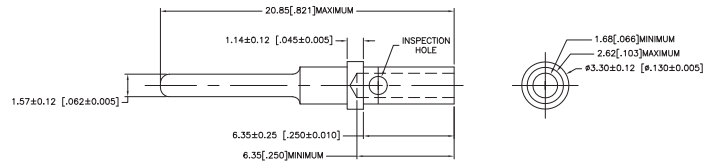
SOLID/MACHINED CONTACTS

Click on [blue underlined part numbers](#) to be taken to their spec sheets.

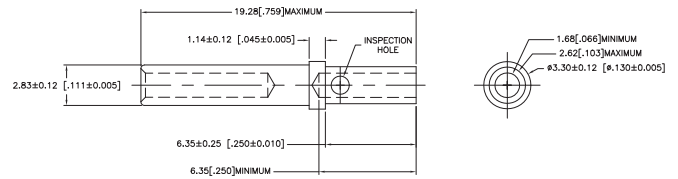
OPTIONS

MILITARY-STYLE

PART NUMBER: [AT60-202-16XX](#)
DESCRIPTION: CONTACT, PIN, SOLID MACHINED, SIZE 16
MATERIAL: COPPER ALLOY
PLATING SUFFIX CODE:
 XX=141 NICKEL PLATING
 XX=31 GOLD PLATING
CONTACT GENERAL DATA SPECIFICATION: S2-15217
AVAILABLE CRIMPERS: CA-5D12 & CA-5E12
CRIMPER SPECIFICATIONS: S2-15219 & S2-15220
CRIMP INFORMATION DRAWING: S2-15218

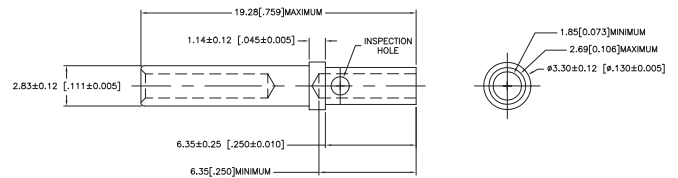


PART NUMBER: [AT62-201-16XX](#)
DESCRIPTION: CONTACT, SOCKET, SOLID MACHINED, SIZE 16
MATERIAL:
 CONTACT BODY: COPPER ALLOY
 HOOD: STAINLESS STEEL
PLATING SUFFIX CODE:
 XX=141 NICKEL PLATING
 XX=31 GOLD PLATING
CONTACT GENERAL DATA SPECIFICATION: S2-15217
AVAILABLE CRIMPERS: CA-5D12 & CA-5E12
CRIMPER SPECIFICATIONS: S2-15219 & S2-15220
CRIMP INFORMATION DRAWING: S2-15218

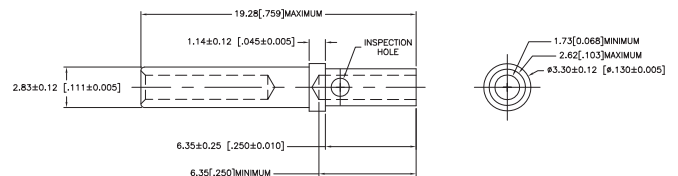


ROCKSOLID™ CONTACTS

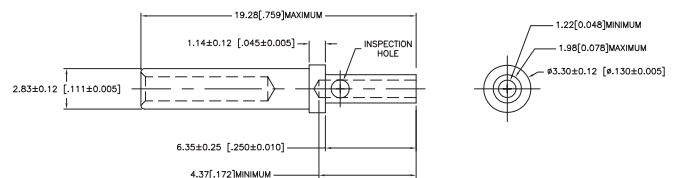
PART NUMBER: [65-54942-14](#)
DESCRIPTION: CONTACT, SOCKET, ROCKSOLID, SIZE 16
AWG RANGE: 14AWG
MATERIAL: COPPER ALLOY
PLATING: GOLD
CONTACT GENERAL DATA SPECIFICATION: S2-15217
AVAILABLE CRIMPERS: CA-5D12 & CA-5E12
CRIMPER SPECIFICATIONS: S2-15219 & S2-15220
CRIMP INFORMATION DRAWING: S2-15218



PART NUMBER: [65-54942-16](#)
DESCRIPTION: CONTACT, SOCKET, ROCKSOLID, SIZE 16
AWG RANGE: 16AWG
MATERIAL: COPPER ALLOY
PLATING: GOLD
CONTACT GENERAL DATA SPECIFICATION: S2-15217
AVAILABLE CRIMPERS: CA-5D12 & CA-5E12
CRIMPER SPECIFICATIONS: S2-15219 & S2-15220
CRIMP INFORMATION DRAWING: S2-15218



PART NUMBER: [65-54942-20](#)
DESCRIPTION: CONTACT, SOCKET, ROCKSOLID, SIZE 16
AWG RANGE: 20AWG
MATERIAL: COPPER ALLOY
PLATING: GOLD
CONTACT GENERAL DATA SPECIFICATION: S2-15217
AVAILABLE CRIMPERS: CA-5D12 & CA-5E12
CRIMPER SPECIFICATIONS: S2-15219 & S2-15220
CRIMP INFORMATION DRAWING: S2-15218



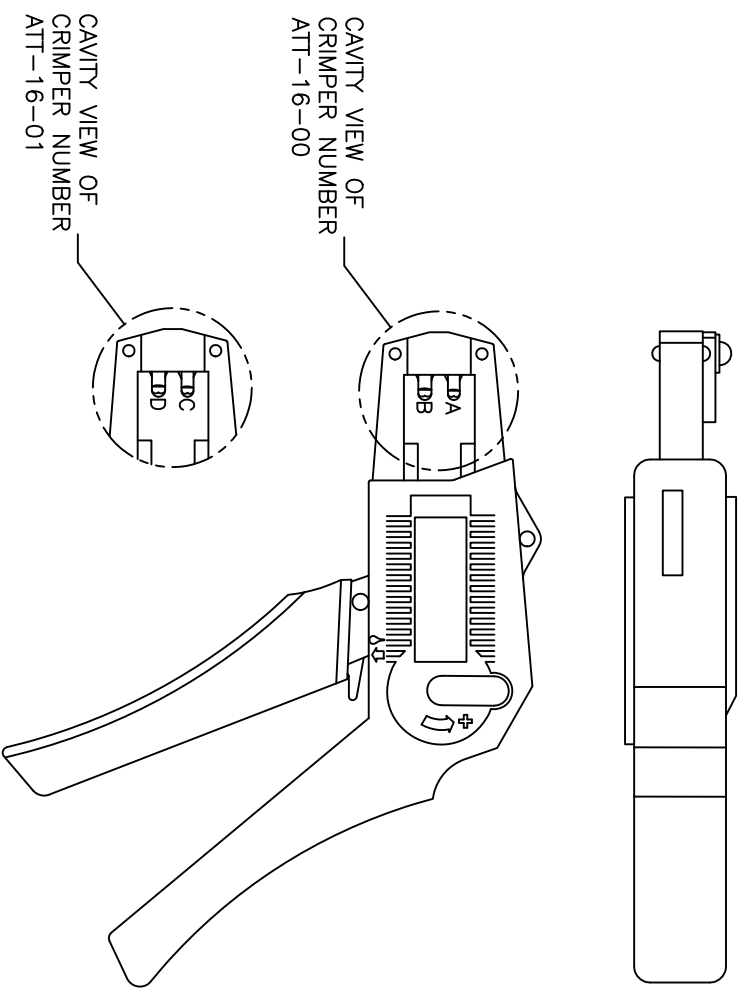
REVISIONS					
REV	ECO	DESCRIPTION	DATE	BY	APPR
A1	-	RELEASE NUMBER 016571	6/12/09	B.D.B.	M.R.F.

USE CRIMPER NUMBER:
ATT-16-00 WITH CAVITY A & B

CONTACT P/N:	INSULATION ϕ	CAVITY	WIRE SIZE
AT60-16-01**	.075 - .140	B	1.5mm ²
AT62-16-01**	[1.91 - 3.56]	A	16AWG
		A	1.0mm ²
AT60-14-01**	.095 - .150	B	14AWG
AT62-14-01**	[2.41 - 3.81]	B	2.0mm ²
		B	1.5mm ²
		A	1.5mm ²
		A	16AWG
		A	1.0mm ²
AT60-16-06**	.055 - .100	A	16AWG
AT62-16-06**	[1.40 - 2.54]	A	1.0mm ²

USE CRIMPER NUMBER:
ATT-16-01 WITH CAVITY C & D

CONTACT P/N:	INSULATION ϕ	CAVITY	WIRE SIZE
AT60-16-01**	.075 - .140	D	18AWG
AT62-16-01**	[1.91 - 3.56]	D	.75mm ²
AT60-16-06**	.055 - .100	D	18AWG
AT62-16-06**	[1.40 - 2.54]	D	.75mm ²
		C	.50mm ²



ALL REFERENCES TO DEUTSCH PRODUCTS OR SPECIFICATIONS ARE FOR COMPARISON PURPOSES ONLY, AND REFER TO DEUTSCH INDUSTRIAL PRODUCTS.

- NOTES (UNLESS OTHERWISE SPECIFIED):
- ALL DIMENSIONS IN INCHES [MILLIMETERS]
 - FOR PLATING CODES ** SEE CONTACT DATA DRAWINGS.
 - THIS TOOL IS FOR CRIMPING SIZE 16 CONTACTS ONLY TO WIRES LISTED IN THE CHARTS.
 - DEUTSCH IPD CROSS REFERENCE PART NUMBERS ARE DTT-16-00 AND DTT-16-01.

QUANTITY	PART NUMBER	DESCRIPTION	ITER#
		MATERIALS LIST	
		SINE Systems Corporation	
		A Subsidiary of Amphenol Corporation	
		44724 Morley Drive	
		Clifton Township, NJ 08036	
		INSTRUCTIONS: ATT-16-00 & 01	
		CRIMPER, HAND, STAMPED CONTACTS	
		SIZE: FCSD NO/DWG NO:	REVISION
		B 16K44	A1
		SCALE: NONE	
		S2-15223	
		SHEET 1 OF 1	

UNLESS OTHERWISE SPECIFIED	SIGNATURES	DATE
1) All dimensions are in inches.	DRAWN: BERNUJ	6/8/09
2) Tolerances are as follows:	CHECKED: FORCE	6/8/09
3) 1/16 DEC .0006	ENGINEER: BERNUJ	
3) 1/32 DEC .0003	APPROVAL: BERNUJ	6/8/09
4) Hole Reference = A	CUSTOMER:	
MINIMUM SPECIFICATIONS:		
M/A		
PROCESS SPECIFICATIONS:		
NOT ASY:		

REVISIONS			
REV	ZONE	ECO	DESCRIPTION
A1	-	-	RELEASE NUMBER 016871
			DATE 6/12/09
			BY B.O.B.
			APP M.F.F.

STAMPED CONTACT PART NUMBER 1068=PIN 1068=SOCKET	SIZE	CONDUCTOR WIRE SIZE	CRIMP HEIGHT	CRIMP WIDTH	CONDUCTOR PUNCH NUMBER	CONDUCTOR ANVIL NUMBER	CRIMP TENSILE REFERENCE
A780-14-011x A782-14-011x INSULATION RANGE 0.095-0.150(2.41-3.81)	16	14 AWG 2.00mm ² 1.50mm ² 16 AWG 1.00mm ² 18 AWG 0.75mm ²	0.055(1.40) 0.055(1.40) 0.055(1.39) 0.050(1.27) 0.049(1.24) 0.048(1.22)	0.094(2.39) 0.094(2.39) 0.094(2.39) 0.094(2.39) 0.094(2.39) 0.094(2.39)	AT17-002-0200	AT17-101-0200	28(111)
A780-16-011x A782-16-011x INSULATION RANGE 0.075-0.140(1.91-3.56)	16	16 AWG 1.00mm ² 18 AWG 0.75mm ²	0.050(1.27) 0.051(1.30) 0.050(1.27) 0.048(1.22)	0.094(2.39) 0.094(2.39) 0.094(2.39) 0.094(2.39)	AT17-002-0200	AT17-101-0200	28(111)
A780-16-066x A782-16-066x INSULATION RANGE 0.055-0.100(1.40-2.54)	16	16 AWG 1.00mm ² 18 AWG 0.75mm ² 20 AWG 0.50mm ²	0.050(1.27) 0.050(1.27) 0.049(1.24) 0.048(1.22) 0.045(1.14)	0.079(2.01) 0.079(2.01) 0.079(2.01) 0.079(2.01) 0.079(2.01)	AT17-003-0200	AT17-103-0200	28(111) 15(67)

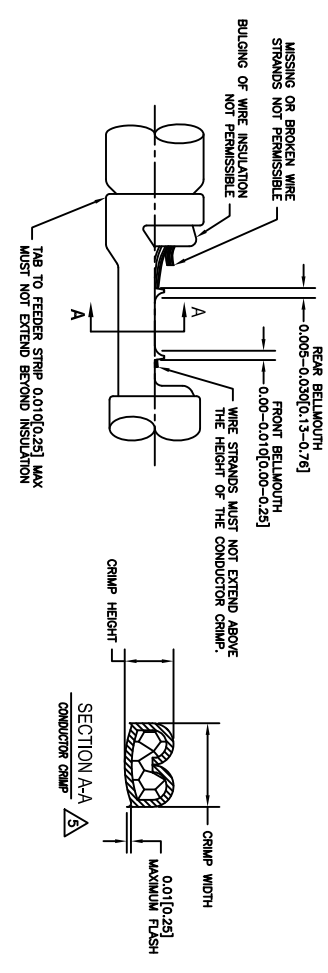
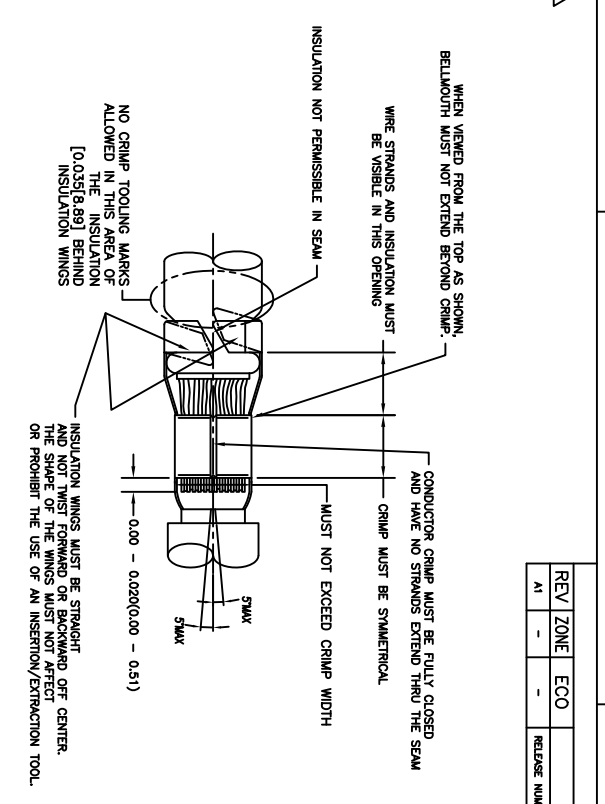
CROSS REFERENCE

SINE PART NUMBER	DEUTSCH PART NUMBER
MX-3950	DC116-02-00
AT17-002-0200	1017-002-0200
AT17-003-0200	1017-003-0200
AT17-101-0200	1017-101-0200
AT17-103-0200	1017-103-0200
AT17-210-0200	1017-210-0200
AT17-211-0200	1017-211-0200
AT17-213-0200	1017-213-0200
AT17-214-0200	1017-214-0200
AT17-217-0200	1017-217-0200
AT17-218-0200	1017-218-0200
AT17-310-0200	1017-310-0200
AT17-311-0200	1017-311-0200
AT17-313-0200	1017-313-0200
AT17-304-0200	1017-304-0200
AT17-317-0200	1017-317-0200

INSULATION DIAMETER RANGE	INSULATION PUNCH NUMBER	INSULATION ANVIL NUMBER
0.120-0.150 [3.05-3.81]	AT17-210-0200	AT17-310-0200
0.105-0.125 [2.67-3.18]	AT17-211-0200	AT17-311-0200
0.085-0.111 [2.16-2.82]	AT17-213-0200	AT17-313-0200
0.075-0.105 [1.91-2.67]	AT17-214-0200	AT17-304-0200
0.065-0.094 [1.62-2.39]	AT17-217-0200	AT17-317-0200
0.050-0.075 [1.27-1.91]	AT17-218-0200	AT17-318-0200

NOTES: UNLESS OTHERWISE SPECIFIED

- ALL DIMENSIONS ARE IN INCHES(mm).
- FORCES ARE IN POUNDS(LBS) AND NEWTONS(N).
- "X"= PLATING SUFFIX. SEE INDIVIDUAL CONTACT DRAWING.
- WIRE STRIP LENGTH: 0.175±0.029(4.45±0.74). BROKEN OR MISSING CONDUCTOR STRANDS ARE NOT ACCEPTABLE.
- USE A BLADE MICROMEETER (0.100(2.54) MIN SPACING AND 0.060(0.010(1.50)(0.040) ANVIL) TO MEASURE THE CONDUCTOR CRIMP. SEE SECTION AA.
- CRIMP TENSILE STRENGTH IS DETERMINED AT A PULL RATE SPEED OF 1.00 INCH(25.4) PER MINUTE. INSULATION WINGS ARE REMOVED FOR TEST. ACTUAL CRIMP TENSILE STRENGTH DEPENDS ON WIRE/CONDUCTOR SIZE. VALUES ON THIS SPECIFICATION ARE FOR REFERENCE ONLY.
- INSULATION DIAMETER RANGE IS DETERMINED BY CONNECTOR AND ITS WIRE SEAL SIZE. SEE CONNECTOR DRAWING FOR INSULATION RANGE.
- INSULATION CRIMP DIAMETER SHOULD BE THE EQUAL OR LESS THAN THE DIAMETER OF THE WIRE INSULATION (HARD OR TEFION INSULATION MAY BE AN EXCEPTION). INSULATION CRIMP SHALL NOT AFFECT REMOVAL TOOL PERFORMANCE AND SHALL NOT DAMAGE CONNECTOR GROMMET SEAL.
- CONDUCTOR TYPE ARE PER SAE J1128(AWG) AND ISO 6722(METRIC)
- FOR CONTACT MATERIAL AND PERFORMANCE DATA, SEE DRAWING S2-15217.
- REFER TO S2-15223 AND S2-15224 AND CROSS REFERENCE CHARTS FOR CRIMP TOOL DATA.



ALL REFERENCES TO DEUTSCH PRODUCTS OR SPECIFICATIONS ARE FOR COMPARISON PURPOSES ONLY, AND REFER TO DEUTSCH INDUSTRIAL PRODUCTS.

QUANTITY	PART NUMBER	MATERIALS LIST	DESCRIPTION	ITEM
UNLESS OTHERWISE SPECIFIED		SIGNATURES	DATE	
1) All dimensions are in inches.		DRAWN: POTER	4/7/09	
2) All tolerances are per ASME Y14.5.		CHECKED: RONE	6/8/09	
3) Plating standards per ASME Y14.5.		ENGINEER: BERLIN	6/8/09	
4) Heat Treatment standards per ASME Y14.5.		APPROVAL: BERLIN	6/8/09	
5) Material specifications per ASME Y14.5.		CUSTOMER: M/A		
PROCESS SPECIFICATIONS:		THE USE OF THIS DRAWING IS LIMITED TO THE SPECIFICATIONS AND PERFORMANCE DATA OF THE PARTS IDENTIFIED HEREIN. ALL DIMENSIONS ARE SUBJECT TO REMOVAL OF EXCESS MATERIAL AND TO THE REQUIREMENTS OF THE DRAWING. DOCUMENTS REFERENCED HEREIN MAY CONTAIN UNITED STATES PATENT DATA.		
SIZE: 1/8" (3.18mm) NOMINAL		SCALE: NONE	S2-15222	SHEET 1 OF 1
REVISION		CRIMP DATA, STAMPED CONTACTS FOR CRIMPER MFX-3950	S2-15222	A1
REV: A1		SINE Systems Corporation A Subsidiary of Amphenol Corporation 44724 Moley Drive Clinton Township, MI 48036		
DWG NO: S2-15222		CRIMP DATA, STAMPED CONTACTS		

REV	ZONE	ECO	DESCRIPTION	DATE	BY	APP
A1	-	-	RELEASE NUMBER 016971	6/12/09	B.D.B.	M.F.F.

REVISIONS		DESCRIPTION	DATE	BY	APP
A1	-	RELEASE NUMBER 016971	6/12/09	B.D.B.	M.F.F.

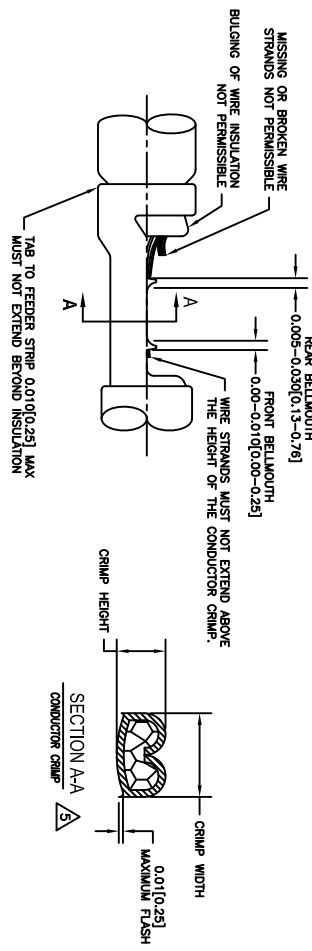
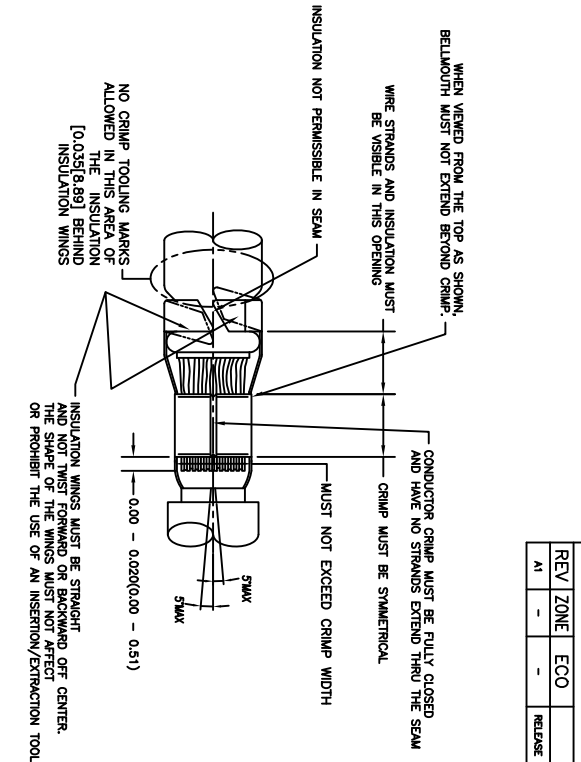
STAMPED CONTACT PART NUMBER (1009=PIN, 1009=SOCKET)	SIZE	CONDUCTOR WIRE SIZE	CRIMP HEIGHT +0.001/-0.002 INCH (+0.025/-0.05 mm)	CRIMP WIDTH ±0.003 INCH (±0.08 mm)	CONDUCTOR PUNCH NUMBER	CONDUCTOR ANVIL NUMBER	CRIMP TENSILE REFERENCE (LBS/IN)
A160-14-011x A162-14-011x INSULATION RANGE 0.095-0.150(2.41-3.81)	16	14 AWG 2.00mm ² 1.50mm ² 16 AWG 1.00mm ² 18 AWG	0.0591(1.40) 0.0591(1.40) 0.0591(1.40) 0.0501(1.27) 0.0491(1.24)	0.094(2.39) 0.094(2.39) 0.094(2.39) 0.084(2.39) 0.084(2.39)		A117-4083-0200 A117-183-0200	29(111)
A160-16-011x A162-16-011x INSULATION RANGE 0.075-0.140(1.91-3.59)	16	14 AWG 2.00mm ² 1.50mm ² 16 AWG 1.00mm ² 18 AWG	0.0591(1.40) 0.0591(1.40) 0.0591(1.40) 0.0501(1.27) 0.0491(1.24)	0.094(2.39) 0.094(2.39) 0.094(2.39) 0.084(2.39) 0.084(2.39)		A117-4083-0200 A117-183-0200	29(111)
A160-16-069x A162-16-069x INSULATION RANGE 0.059-0.100(1.49-2.54)	16	16 AWG 1.00mm ² 0.75mm ² 20 AWG 0.50mm ²	0.0501(1.27) 0.0501(1.27) 0.0491(1.24) 0.0491(1.24)	0.079(2.01) 0.079(2.01) 0.079(2.01) 0.079(2.01)		A117-4082-0200 A117-182-0200	29(111) 19(67)

CROSS REFERENCE

INSULATION DIAMETER RANGE	INSULATION PUNCH NUMBER	INSULATION ANVIL NUMBER	SINE PART NUMBER	DEUTSCH PART NUMBER
0.120-0.150 [3.05-3.81]	A117-225-0200	A117-326-0200	MPX-3953	DCT1620-02-00
0.105-0.125 [2.67-3.18]	A117-226-0200	A117-326-0200	A117-083-0200	1017-083-0200
0.085-0.111 [2.16-2.82]	A117-227-0200	A117-327-0200	A117-082-0200	1017-082-0200
0.075-0.105 [1.91-2.67]	A117-228-0200	A117-328-0200	A117-183-0200	1017-183-0200
0.063-0.094 [1.62-2.39]	A117-229-0200	A117-329-0200	A117-182-0200	1017-182-0200
0.050-0.075 [1.27-1.91]	A117-230-0200	A117-330-0200	A117-225-0200	1017-225-0200
			A117-226-0200	1017-226-0200
			A117-227-0200	1017-227-0200
			A117-228-0200	1017-228-0200
			A117-229-0200	1017-229-0200
			A117-230-0200	1017-230-0200
			A117-325-0200	1017-325-0200
			A117-326-0200	1017-326-0200
			A117-327-0200	1017-327-0200
			A117-328-0200	1017-328-0200
			A117-329-0200	1017-329-0200
			A117-330-0200	1017-330-0200

NOTES: UNLESS OTHERWISE SPECIFIED

1. ALL DIMENSIONS ARE IN INCHES(mm).
2. FORCES ARE IN POUNDS(LBS) AND NEWTONS(N).
3. "X"= PLATING SUFFIX. SEE INDIVIDUAL CONTACT DRAWING.
4. WIRE STRIP LENGTH: 0.175±0.029(4.43±0.74). BROKEN OR MISSING CONDUCTOR STRANDS ARE NOT ACCEPTABLE. USE A BLADE MICROMETER (0.100[2.54] MIN SPINDLE AND 0.060[0.010][1.50][0.040] ANVIL) TO MEASURE THE CONDUCTOR CRIMP. SEE SECTION AA.
5. CRIMP TENSILE STRENGTH IS DETERMINED AT A PULL RATE SPEED OF 1.00 INCH(2.54) PER MINUTE. INSULATION WINGS ARE REMOVED FOR TEST. ACTUAL CRIMP TENSILE STRENGTH DEPENDS ON WIRE/CONDUCTOR SIZE. VALUES ON THIS SPECIFICATION ARE FOR REFERENCE ONLY.
6. INSULATION DIAMETER RANGE IS DETERMINED BY CONNECTOR AND ITS WIRE SEAL SIZE. SEE CONNECTOR DRAWING FOR INSULATION RANGE.
7. INSULATION CRIMP DIAMETER SHOULD BE THE EQUAL OR LESS THAN THE DIAMETER OF THE WIRE INSULATION (HARD OR TEFION INSULATION MAY BE AN EXCEPTION). INSULATION CRIMP SHALL NOT AFFECT REMOVAL TOOL PERFORMANCE AND SHALL NOT DAMAGE CONNECTOR GROMMET SEAL.
8. CONDUCTOR TYPE ARE PER SAE J1128(AWG) AND ISO 6122(METRIC)
9. FOR CONTACT MATERIAL AND PERFORMANCE DATA, SEE DRAWING S2-15217.
10. REFER TO S2-15223 AND S2-15224 AND CROSS REFERENCE CHARTS FOR CRIMP TOOL DATA.



ALL REFERENCES TO DEUTSCH PRODUCTS OR SPECIFICATIONS ARE FOR COMPARISON PURPOSES ONLY, AND REFER TO DEUTSCH INDUSTRIAL PRODUCTS.

QUANTITY	PART NUMBER	MATERIALS LIST	DESCRIPTION	ITEM
UNLESS OTHERWISE SPECIFIED	SIGNATURES	DATE		
1) All dimensions are in inches.	DATE	4/7/09		
2) All dimensions are in millimeters.	DATE	6/8/09		
3) Production Standard Per: Alpha S1*	ENGINEER	BERNIM		
4) Form: S2-20020	APPROVAL	BERNIM	6/8/09	
MATERIAL SPECIFICATIONS:	CUSTOMER			
NA				
PROCESS SPECIFICATIONS:				
THE USE OF THIS DRAWING & SPECIFICATIONS, AND PERFORMANCE DATA, IS LIMITED TO THE ORIGINAL PURCHASER AND ANY SUBSIDIARIES THEREOF. ALL DIMENSIONS ARE SUBJECT TO NORMAL DOCUMENTS RETAINED HEREON. ANY DOCUMENTS RETAINED HEREON MAY CONTAIN LIMITED RIGHTS DATA.				
SIZE: TYPICAL DIMENSIONS: 10K/44	SCALE: NONE	S2-15221	SHEET 1 OF 1	A1

QUANTITY	PART NUMBER	MATERIALS LIST	DESCRIPTION	ITEM
UNLESS OTHERWISE SPECIFIED	SIGNATURES	DATE		
1) All dimensions are in inches.	DATE	4/7/09		
2) All dimensions are in millimeters.	DATE	6/8/09		
3) Production Standard Per: Alpha S1*	ENGINEER	BERNIM		
4) Form: S2-20020	APPROVAL	BERNIM	6/8/09	
MATERIAL SPECIFICATIONS:	CUSTOMER			
NA				
PROCESS SPECIFICATIONS:				
THE USE OF THIS DRAWING & SPECIFICATIONS, AND PERFORMANCE DATA, IS LIMITED TO THE ORIGINAL PURCHASER AND ANY SUBSIDIARIES THEREOF. ALL DIMENSIONS ARE SUBJECT TO NORMAL DOCUMENTS RETAINED HEREON. ANY DOCUMENTS RETAINED HEREON MAY CONTAIN LIMITED RIGHTS DATA.				
SIZE: TYPICAL DIMENSIONS: 10K/44	SCALE: NONE	S2-15221	SHEET 1 OF 1	A1

QUANTITY	PART NUMBER	MATERIALS LIST	DESCRIPTION	ITEM
UNLESS OTHERWISE SPECIFIED	SIGNATURES	DATE		
1) All dimensions are in inches.	DATE	4/7/09		
2) All dimensions are in millimeters.	DATE	6/8/09		
3) Production Standard Per: Alpha S1*	ENGINEER	BERNIM		
4) Form: S2-20020	APPROVAL	BERNIM	6/8/09	
MATERIAL SPECIFICATIONS:	CUSTOMER			
NA				
PROCESS SPECIFICATIONS:				
THE USE OF THIS DRAWING & SPECIFICATIONS, AND PERFORMANCE DATA, IS LIMITED TO THE ORIGINAL PURCHASER AND ANY SUBSIDIARIES THEREOF. ALL DIMENSIONS ARE SUBJECT TO NORMAL DOCUMENTS RETAINED HEREON. ANY DOCUMENTS RETAINED HEREON MAY CONTAIN LIMITED RIGHTS DATA.				
SIZE: TYPICAL DIMENSIONS: 10K/44	SCALE: NONE	S2-15221	SHEET 1 OF 1	A1

QUANTITY	PART NUMBER	MATERIALS LIST	DESCRIPTION	ITEM
UNLESS OTHERWISE SPECIFIED	SIGNATURES	DATE		
1) All dimensions are in inches.	DATE	4/7/09		
2) All dimensions are in millimeters.	DATE	6/8/09		
3) Production Standard Per: Alpha S1*	ENGINEER	BERNIM		
4) Form: S2-20020	APPROVAL	BERNIM	6/8/09	
MATERIAL SPECIFICATIONS:	CUSTOMER			
NA				
PROCESS SPECIFICATIONS:				
THE USE OF THIS DRAWING & SPECIFICATIONS, AND PERFORMANCE DATA, IS LIMITED TO THE ORIGINAL PURCHASER AND ANY SUBSIDIARIES THEREOF. ALL DIMENSIONS ARE SUBJECT TO NORMAL DOCUMENTS RETAINED HEREON. ANY DOCUMENTS RETAINED HEREON MAY CONTAIN LIMITED RIGHTS DATA.				
SIZE: TYPICAL DIMENSIONS: 10K/44	SCALE: NONE	S2-15221	SHEET 1 OF 1	A1

QUANTITY	PART NUMBER	MATERIALS LIST	DESCRIPTION	ITEM
UNLESS OTHERWISE SPECIFIED	SIGNATURES	DATE		
1) All dimensions are in inches.	DATE	4/7/09		
2) All dimensions are in millimeters.	DATE	6/8/09		
3) Production Standard Per: Alpha S1*	ENGINEER	BERNIM		
4) Form: S2-20020	APPROVAL	BERNIM	6/8/09	
MATERIAL SPECIFICATIONS:	CUSTOMER			
NA				
PROCESS SPECIFICATIONS:				
THE USE OF THIS DRAWING & SPECIFICATIONS, AND PERFORMANCE DATA, IS LIMITED TO THE ORIGINAL PURCHASER AND ANY SUBSIDIARIES THEREOF. ALL DIMENSIONS ARE SUBJECT TO NORMAL DOCUMENTS RETAINED HEREON. ANY DOCUMENTS RETAINED HEREON MAY CONTAIN LIMITED RIGHTS DATA.				
SIZE: TYPICAL DIMENSIONS: 10K/44	SCALE: NONE	S2-15221	SHEET 1 OF 1	A1

QUANTITY	PART NUMBER	MATERIALS LIST	DESCRIPTION	ITEM
UNLESS OTHERWISE SPECIFIED	SIGNATURES	DATE		
1) All dimensions are in inches.	DATE	4/7/09		
2) All dimensions are in millimeters.	DATE	6/8/09		
3) Production Standard Per: Alpha S1*	ENGINEER	BERNIM		
4) Form: S2-20020	APPROVAL	BERNIM	6/8/09	
MATERIAL SPECIFICATIONS:	CUSTOMER			
NA				
PROCESS SPECIFICATIONS:				
THE USE OF THIS DRAWING & SPECIFICATIONS, AND PERFORMANCE DATA, IS LIMITED TO THE ORIGINAL PURCHASER AND ANY SUBSIDIARIES THEREOF. ALL DIMENSIONS ARE SUBJECT TO NORMAL DOCUMENTS RETAINED HEREON. ANY DOCUMENTS RETAINED HEREON MAY CONTAIN LIMITED RIGHTS DATA.				
SIZE: TYPICAL DIMENSIONS: 10K/44	SCALE: NONE	S2-15221	SHEET 1 OF 1	A1

QUANTITY	PART NUMBER	MATERIALS LIST	DESCRIPTION	ITEM
UNLESS OTHERWISE SPECIFIED	SIGNATURES	DATE		
1) All dimensions are in inches.	DATE	4/7/09		
2) All dimensions are in millimeters.	DATE	6/8/09		
3) Production Standard Per: Alpha S1*	ENGINEER	BERNIM		
4) Form: S2-20020	APPROVAL	BERNIM	6/8/09	
MATERIAL SPECIFICATIONS:	CUSTOMER			
NA				
PROCESS SPECIFICATIONS:				
THE USE OF THIS DRAWING & SPECIFICATIONS, AND PERFORMANCE DATA, IS LIMITED TO THE ORIGINAL PURCHASER AND ANY SUBSIDIARIES THEREOF. ALL DIMENSIONS ARE SUBJECT TO NORMAL DOCUMENTS RETAINED HEREON. ANY DOCUMENTS RETAINED HEREON MAY CONTAIN LIMITED RIGHTS DATA.				
SIZE: TYPICAL DIMENSIONS: 10K/44	SCALE: NONE	S2-15221	SHEET 1 OF 1	A1

QUANTITY	PART NUMBER	MATERIALS LIST	DESCRIPTION	ITEM
UNLESS OTHERWISE SPECIFIED	SIGNATURES	DATE		
1) All dimensions are in inches.	DATE	4/7/09		
2) All dimensions are in millimeters.	DATE	6/8/09		
3) Production Standard Per: Alpha S1*	ENGINEER	BERNIM		
4) Form: S2-20020	APPROVAL	BERNIM	6/8/09	
MATERIAL SPECIFICATIONS:	CUSTOMER			
NA				
PROCESS SPECIFICATIONS:				
THE USE OF THIS DRAWING & SPECIFICATIONS, AND PERFORMANCE DATA, IS LIMITED TO THE ORIGINAL PURCHASER AND ANY SUBSIDIARIES THEREOF. ALL DIMENSIONS ARE SUBJECT TO NORMAL DOCUMENTS RETAINED HEREON. ANY DOCUMENTS RETAINED HEREON MAY CONTAIN LIMITED RIGHTS DATA.				
SIZE: TYPICAL DIMENSIONS: 10K/44	SCALE: NONE	S2-15221	SHEET 1 OF 1	A1

QUANTITY	PART NUMBER	MATERIALS LIST	DESCRIPTION	ITEM
UNLESS OTHERWISE SPECIFIED	SIGNATURES	DATE		
1) All dimensions are in inches.	DATE	4/7/09		
2) All dimensions are in millimeters.	DATE	6/8/09		
3) Production Standard Per: Alpha S1*	ENGINEER	BERNIM		
4) Form: S2-20020	APPROVAL	BERNIM	6/8/09	
MATERIAL SPECIFICATIONS:	CUSTOMER			
NA				
PROCESS SPECIFICATIONS:				
THE USE OF THIS DRAWING & SPECIFICATIONS, AND PERFORMANCE DATA, IS LIMITED TO THE ORIGINAL PURCHASER AND ANY SUBSIDIARIES THEREOF. ALL DIMENSIONS ARE SUBJECT TO NORMAL DOCUMENTS RETAINED HEREON. ANY DOCUMENTS RETAINED HEREON MAY CONTAIN LIMITED RIGHTS DATA.				
SIZE: TYPICAL DIMENSIONS: 10K/44	SCALE: NONE	S2-15221	SHEET 1 OF 1	A1

QUANTITY	PART NUMBER	MATERIALS LIST	DESCRIPTION	ITEM
UNLESS OTHERWISE SPECIFIED	SIGNATURES	DATE		
1) All dimensions are in inches.	DATE	4/7/09		
2) All dimensions are in millimeters.	DATE	6/8/09		
3) Production Standard Per: Alpha S1*	ENGINEER	BERNIM		
4) Form: S2-20020	APPROVAL	BERNIM	6/8/09	
MATERIAL SPECIFICATIONS:	CUSTOMER			
NA				
PROCESS SPECIFICATIONS:				
THE USE OF THIS DRAWING & SPECIFICATIONS, AND PERFORMANCE DATA, IS LIMITED TO THE ORIGINAL PURCHASER AND ANY SUBSIDIARIES THEREOF. ALL DIMENSIONS ARE SUBJECT TO NORMAL DOCUMENTS RETAINED HEREON. ANY DOCUMENTS RETAINED HEREON MAY CONTAIN LIMITED RIGHTS DATA.				
SIZE: TYPICAL DIMENSIONS: 10K/44	SCALE: NONE	S2-15221	SHEET 1 OF 1	A1

QUANTITY	PART NUMBER	MATERIALS LIST	DESCRIPTION	ITEM
UNLESS OTHERWISE SPECIFIED	SIGNATURES	DATE		
1) All dimensions are in inches.	DATE	4/7/09		
2) All dimensions are in millimeters.	DATE	6/8/09		
3) Production Standard Per: Alpha S1*	ENGINEER	BERNIM		
4) Form: S2-20020	APPROVAL	BERNIM	6/8/09	
MATERIAL SPECIFICATIONS:	CUSTOMER			
NA				
PROCESS SPECIFICATIONS:				
THE USE OF THIS DRAWING & SPECIFICATIONS, AND PERFORMANCE DATA, IS LIMITED TO THE ORIGINAL PURCHASER AND ANY SUBSIDIARIES THEREOF. ALL DIMENSIONS ARE SUBJECT TO NORMAL DOCUMENTS RETAINED HEREON. ANY DOCUMENTS RETAINED HEREON MAY CONTAIN LIMITED RIGHTS DATA.				
SIZE: TYPICAL DIMENSIONS: 10K/44	SCALE: NONE	S2-15221	SHEET 1 OF 1	A1

QUANTITY	PART NUMBER	MATERIALS LIST	DESCRIPTION	ITEM
UNLESS OTHERWISE SPECIFIED	SIGNATURES	DATE		
1) All dimensions are in inches.	DATE	4/7/09		
2) All dimensions are in millimeters.	DATE	6/8/09		
3) Production Standard Per: Alpha S1*	ENGINEER	BERNIM		
4) Form: S2-20020	APPROVAL	BERNIM	6/8/09	
MATERIAL SPECIFICATIONS:	CUSTOMER			
NA				
PROCESS SPECIFICATIONS:				
THE USE OF THIS DRAWING & SPECIFICATIONS, AND PERFORMANCE DATA, IS LIMITED TO THE ORIGINAL PURCHASER AND ANY SUBSIDIARIES THEREOF. ALL DIMENSIONS ARE SUBJECT TO NORMAL DOCUMENTS RETAINED HEREON. ANY DOCUMENTS RETAINED HEREON MAY CONTAIN LIMITED RIGHTS DATA.				
SIZE: TYPICAL DIMENSIONS: 10K/44	SCALE: NONE	S2-15221	SHEET 1 OF 1	A1

QUANTITY	PART NUMBER	MATERIALS LIST	DESCRIPTION	ITEM
UNLESS OTHERWISE SPECIFIED	SIGNATURES	DATE		
1) All dimensions are in inches.	DATE	4/7/09		
2) All dimensions are in millimeters.	DATE	6/8/09		
3) Production Standard Per: Alpha S1*	ENGINEER	BERNIM		
4) Form: S2-20020	APPROVAL	BERNIM	6/8/09	
MATERIAL SPECIFICATIONS:	CUSTOMER			
NA				
PROCESS SPECIFICATIONS:				
THE USE OF THIS DRAWING & SPECIFICATIONS, AND PERFORMANCE DATA, IS LIMITED TO THE ORIGINAL PURCHASER AND ANY SUBSIDIARIES THEREOF. ALL DIMENSIONS ARE SUBJECT TO NORMAL DOCUMENTS RETAINED HEREON. ANY DOCUMENTS RETAINED HEREON MAY CONTAIN LIMITED RIGHTS DATA.				
SIZE: TYPICAL DIMENSIONS: 10K/44	SCALE: NONE	S2-15221	SHEET 1 OF 1	A1

QUANTITY	PART NUMBER	MATERIALS LIST	DESCRIPTION	ITEM
UNLESS OTHERWISE SPECIFIED	SIGNATURES	DATE		

Компания «Океан Электроники» предлагает заключение долгосрочных отношений при поставках импортных электронных компонентов на взаимовыгодных условиях!

Наши преимущества:

- Поставка оригинальных импортных электронных компонентов напрямую с производств Америки, Европы и Азии, а так же с крупнейших складов мира;
- Широкая линейка поставок активных и пассивных импортных электронных компонентов (более 30 млн. наименований);
- Поставка сложных, дефицитных, либо снятых с производства позиций;
- Оперативные сроки поставки под заказ (от 5 рабочих дней);
- Экспресс доставка в любую точку России;
- Помощь Конструкторского Отдела и консультации квалифицированных инженеров;
- Техническая поддержка проекта, помощь в подборе аналогов, поставка прототипов;
- Поставка электронных компонентов под контролем ВП;
- Система менеджмента качества сертифицирована по Международному стандарту ISO 9001;
- При необходимости вся продукция военного и аэрокосмического назначения проходит испытания и сертификацию в лаборатории (по согласованию с заказчиком);
- Поставка специализированных компонентов военного и аэрокосмического уровня качества (Xilinx, Altera, Analog Devices, Intersil, Interpoint, Microsemi, Actel, Aeroflex, Peregrine, VPT, Syfer, Eurofarad, Texas Instruments, MS Kennedy, Miteq, Cobham, E2V, MA-COM, Hittite, Mini-Circuits, General Dynamics и др.);

Компания «Океан Электроники» является официальным дистрибьютором и эксклюзивным представителем в России одного из крупнейших производителей разъемов военного и аэрокосмического назначения «JONHON», а так же официальным дистрибьютором и эксклюзивным представителем в России производителя высокотехнологичных и надежных решений для передачи СВЧ сигналов «FORSTAR».



JONHON

«JONHON» (основан в 1970 г.)

Разъемы специального, военного и аэрокосмического назначения:

(Применяются в военной, авиационной, аэрокосмической, морской, железнодорожной, горно- и нефтедобывающей отраслях промышленности)

«FORSTAR» (основан в 1998 г.)

ВЧ соединители, коаксиальные кабели,
кабельные сборки и микроволновые компоненты:

(Применяются в телекоммуникациях гражданского и специального назначения, в средствах связи, РЛС, а так же военной, авиационной и аэрокосмической отраслях промышленности).



Телефон: 8 (812) 309-75-97 (многоканальный)

Факс: 8 (812) 320-03-32

Электронная почта: ocean@oceanchips.ru

Web: <http://oceanchips.ru/>

Адрес: 198099, г. Санкт-Петербург, ул. Калинина, д. 2, корп. 4, лит. А