

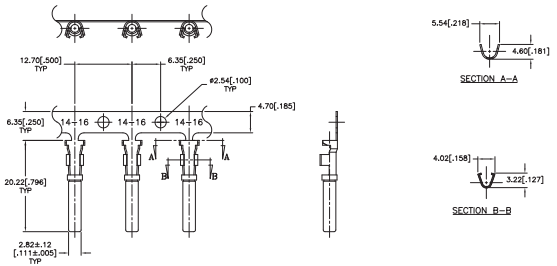
STAMPED AND FORMED CONTACTS, PG 1 of 2

Click on [blue underlined part numbers](#) to be taken to their spec sheets.

OPTIONS

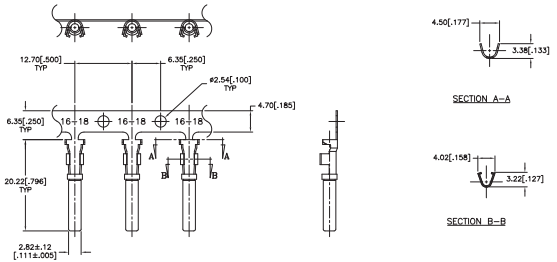
PART NUMBER: [AT62-14-01XX](#)
DESCRIPTION: CONTACT, SOCKET, STAMPED, SIZE 16

MATERIAL:
 CONTACT BODY: COPPER ALLOY
 HOOD: STAINLESS STEEL
PLATING SUFFIX CODE:
 XX=22 NICKEL PLATING
 XX=44 GOLD PLATING
CONTACT GENERAL DATA SPECIFICATION: S2-15217
AVAILABLE CRIMPERS: ATT-16-00, MFX-3950 & MFX-3953
CRIMPER SPECIFICATIONS: S2-15223 & S2-15224
CRIMP INFORMATION DRAWING: S2-15221 & S2-15222
CONTACTS PER REEL: APPROX. 4000 (PARTIAL REELS AVAILABLE)



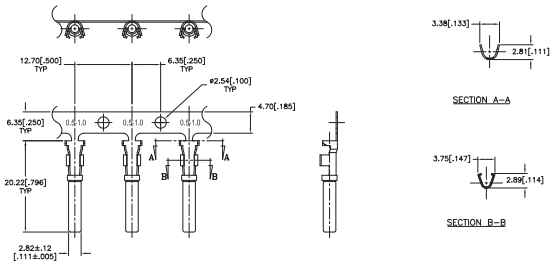
PART NUMBER: [AT62-16-01XX](#)
DESCRIPTION: CONTACT, SOCKET, STAMPED, SIZE 16

MATERIAL:
 CONTACT BODY: COPPER ALLOY
 HOOD: STAINLESS STEEL
PLATING SUFFIX CODE:
 XX=22 NICKEL PLATING
 XX=44 GOLD PLATING
CONTACT GENERAL DATA SPECIFICATION: S2-15217
AVAILABLE CRIMPERS: ATT-16-00, ATT-16-01, MFX-3950 & MFX-3953
CRIMPER SPECIFICATIONS: S2-15223 & S2-15224
CRIMP INFORMATION DRAWING: S2-15221 & S2-15222
CONTACTS PER REEL: APPROX. 4000 (PARTIAL REELS AVAILABLE)



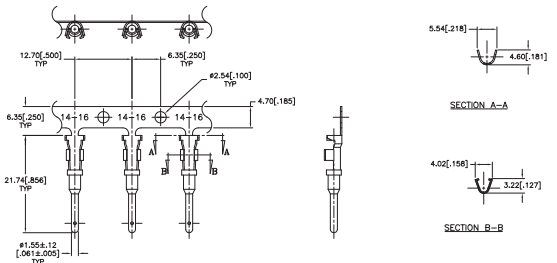
PART NUMBER: [AT62-16-06XX](#)
DESCRIPTION: CONTACT, SOCKET, STAMPED, SIZE 16

MATERIAL:
 CONTACT BODY: COPPER ALLOY
 HOOD: STAINLESS STEEL
PLATING SUFFIX CODE:
 XX=22 NICKEL PLATING
 XX=44 GOLD PLATING
CONTACT GENERAL DATA SPECIFICATION: S2-15217
AVAILABLE CRIMPERS: ATT-16-01, MFX-3950 & MFX-3953
CRIMPER SPECIFICATIONS: S2-15223 & S2-15224
CRIMP INFORMATION DRAWING: S2-15221 & S2-15222
CONTACTS PER REEL: APPROX. 4000 (PARTIAL REELS AVAILABLE)



PART NUMBER: [AT60-14-01XX](#)
DESCRIPTION: CONTACT, PIN, STAMPED, SIZE 16

MATERIAL: COPPER ALLOY
PLATING SUFFIX CODE:
 XX=22 NICKEL PLATING
 XX=44 GOLD PLATING
CONTACT GENERAL DATA SPECIFICATION: S2-15217
AVAILABLE CRIMPERS: ATT-16-00, MFX-3950 & MFX-3953
CRIMPER SPECIFICATIONS: S2-15223 & S2-15224
CRIMP INFORMATION DRAWING: S2-15221 & S2-15222
CONTACTS PER REEL: APPROX. 4000 (PARTIAL REELS AVAILABLE)

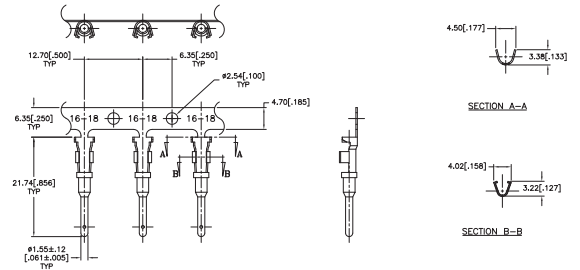


STAMPED AND FORMED CONTACTS, PG 2 of 2

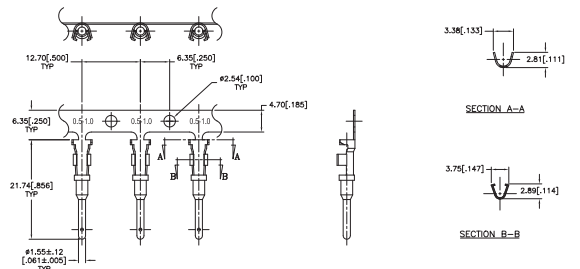
Click on [blue underlined part numbers](#) to be taken to their spec sheets.

OPTIONS

PART NUMBER: [AT60-16-01XX](#)
DESCRIPTION: CONTACT, PIN, STAMPED, SIZE 16
MATERIAL: COPPER ALLOY
PLATING SUFFIX CODE:
 XX=22 NICKEL PLATING
 XX=44 GOLD PLATING
CONTACT GENERAL DATA SPECIFICATION: S2-15217
AVAILABLE CRIMPERS: ATT-16-00, ATT-16-01, MFX-3950 & MFX-3953
CRIMPER SPECIFICATIONS: S2-15223 & S2-15224
CRIMP INFORMATION DRAWING: S2-15221 & S2-15222
CONTACTS PER REEL: APPROX. 4000 (PARTIAL REELS AVAILABLE)



PART NUMBER: [AT60-16-06XX](#)
DESCRIPTION: CONTACT, PIN, STAMPED, SIZE 16
MATERIAL: COPPER ALLOY
PLATING SUFFIX CODE:
 XX=22 NICKEL PLATING
 XX=44 GOLD PLATING
CONTACT GENERAL DATA SPECIFICATION: S2-15217
AVAILABLE CRIMPERS: ATT-16-01, MFX-3950 & MFX-3953
CRIMPER SPECIFICATIONS: S2-15223 & S2-15224
CRIMP INFORMATION DRAWING: S2-15221 & S2-15222
CONTACTS PER REEL: APPROX. 4000 (PARTIAL REELS AVAILABLE)



SOLID/MACHINED CONTACTS

Click on [blue underlined part numbers](#) to be taken to their spec sheets.

OPTIONS

MILITARY-STYLE

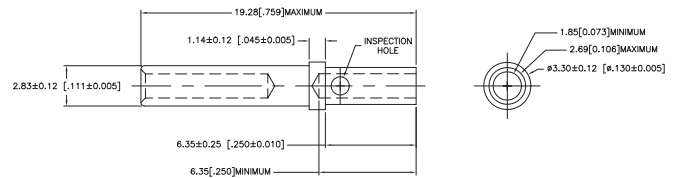
PART NUMBER: [AT60-202-16XX](#)
DESCRIPTION: CONTACT, PIN, SOLID MACHINED, SIZE 16
MATERIAL: COPPER ALLOY
PLATING SUFFIX CODE:
 XX=141 NICKEL PLATING
 XX=31 GOLD PLATING
CONTACT GENERAL DATA SPECIFICATION: S2-15217
AVAILABLE CRIMPERS: CA-5D12 & CA-5E12
CRIMPER SPECIFICATIONS: S2-15219 & S2-15220
CRIMP INFORMATION DRAWING: S2-15218



PART NUMBER: [AT62-201-16XX](#)
DESCRIPTION: CONTACT, SOCKET, SOLID MACHINED, SIZE 16
MATERIAL:
 CONTACT BODY: COPPER ALLOY
 HOOD: STAINLESS STEEL
PLATING SUFFIX CODE:
 XX=141 NICKEL PLATING
 XX=31 GOLD PLATING
CONTACT GENERAL DATA SPECIFICATION: S2-15217
AVAILABLE CRIMPERS: CA-5D12 & CA-5E12
CRIMPER SPECIFICATIONS: S2-15219 & S2-15220
CRIMP INFORMATION DRAWING: S2-15218



PART NUMBER: [65-54942-14](#)
DESCRIPTION: CONTACT, SOCKET, ROCKSOLID, SIZE 16
AWG RANGE: 14AWG
MATERIAL: COPPER ALLOY
PLATING: GOLD
CONTACT GENERAL DATA SPECIFICATION: S2-15217
AVAILABLE CRIMPERS: CA-5D12 & CA-5E12
CRIMPER SPECIFICATIONS: S2-15219 & S2-15220
CRIMP INFORMATION DRAWING: S2-15218

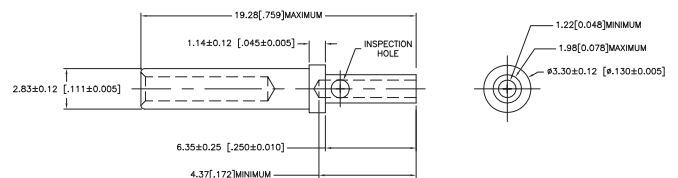


ROCKSOLID™ CONTACTS

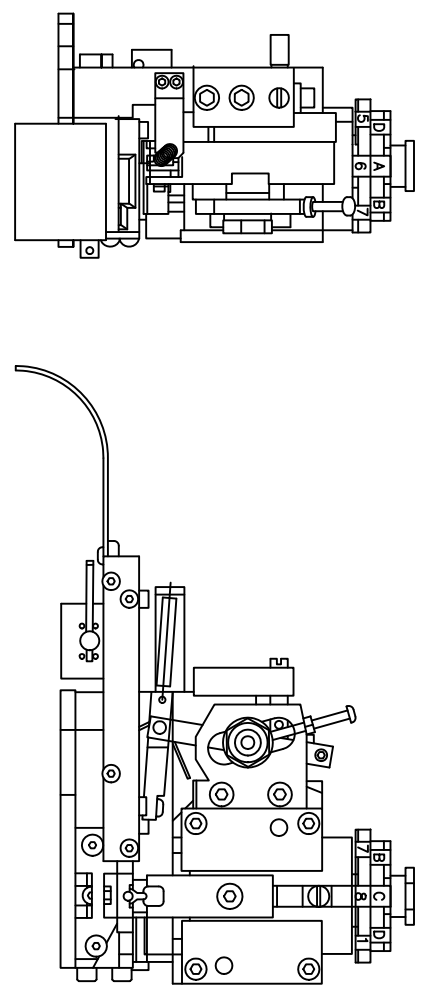
PART NUMBER: [65-54942-16](#)
DESCRIPTION: CONTACT, SOCKET, ROCKSOLID, SIZE 16
AWG RANGE: 16AWG
MATERIAL: COPPER ALLOY
PLATING: GOLD
CONTACT GENERAL DATA SPECIFICATION: S2-15217
AVAILABLE CRIMPERS: CA-5D12 & CA-5E12
CRIMPER SPECIFICATIONS: S2-15219 & S2-15220
CRIMP INFORMATION DRAWING: S2-15218



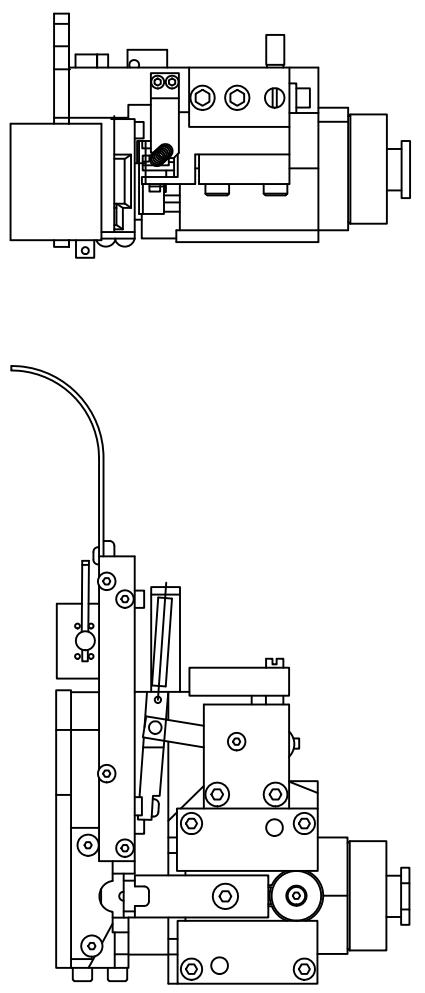
PART NUMBER: [65-54942-20](#)
DESCRIPTION: CONTACT, SOCKET, ROCKSOLID, SIZE 16
AWG RANGE: 20AWG
MATERIAL: COPPER ALLOY
PLATING: GOLD
CONTACT GENERAL DATA SPECIFICATION: S2-15217
AVAILABLE CRIMPERS: CA-5D12 & CA-5E12
CRIMPER SPECIFICATIONS: S2-15219 & S2-15220
CRIMP INFORMATION DRAWING: S2-15218



REVISIONS						
REV	ZONE	ECO	DESCRIPTION	DATE	BY	APPR
A1	-	-	RELEASE NUMBER 016571	6/12/09	B.D.B.	M.R.F.



SINE PART NUMBER	MFX-3950
DEUTSCH PART NUMBER	DCT16-02-00
TYCO PART NUMBER	1-3-1385344-1, 2, 3, 4, 5 & 7



SINE PART NUMBER	MFX-3953
DEUTSCH PART NUMBER	DCT1620-02-00

ALL REFERENCES TO DEUTSCH PRODUCTS OR SPECIFICATIONS ARE FOR COMPARISON PURPOSES ONLY, AND REFER TO DEUTSCH INDUSTRIAL PRODUCTS.
 ALL REFERENCES TO TYCO PRODUCTS OR SPECIFICATIONS ARE FOR COMPARISON PURPOSES ONLY, AND REFER TO TYCO ELECTRONICS.

QUANTITY	PART NUMBER	DESCRIPTION	ITEM
UNLESS OTHERWISE SPECIFIED			
1) All dimensions are in inches.			
2) Pl. DEC 30.00			
3) Pl. DEC 30.00			
4) Pl. DEC 30.00			
5) Fabrication Standards Per:			
a) MIL-STD-20020			
b) MIL-STD-20020			
c) MIL-STD-20020			
d) MIL-STD-20020			
MATERIAL SPECIFICATIONS:			
M/A			
PROCESS SPECIFICATIONS:			
M/A			
NEXT ASSY:			
SIGNATURES		DATE	
DESIGNED BY:	BERNINI	6/9/09	
CHECKED BY:	TRICE	6/9/09	
ENGINEER:	BERNINI		
APPROVAL:	BERNINI	6/9/09	
CUSTOMER:			
M/A			
THE USE OF THIS DRAWING IS LIMITED TO THE SPECIFIC APPLICATION AND PERFORMANCE SPECIFICATIONS AND PERFORMANCE PRESENTED ON THIS DRAWING. ALL DIMENSIONS ARE SUBJECT TO NORMAL DIMENSIONAL VARIATION. THIS DOCUMENT IS THE PROPERTY OF CRIMPERS CORPORATION. DOCUMENTS RETURNED HEREON MAY CONTAIN RESTRICTED RIGHTS DATA.			
SIZE	FRSCL	SCALE	NONE
C	10K44	S2-15224	A1
CRIMPER INFORMATION			
MFX-3950 & MFX-3953			
A Subsidiary of Amphenol Corporation			
44724 Moley Drive			
Clinton Township, MI 48036			
SINE Systems Corporation			
S2-15224			
SHEET 1 OF 1			

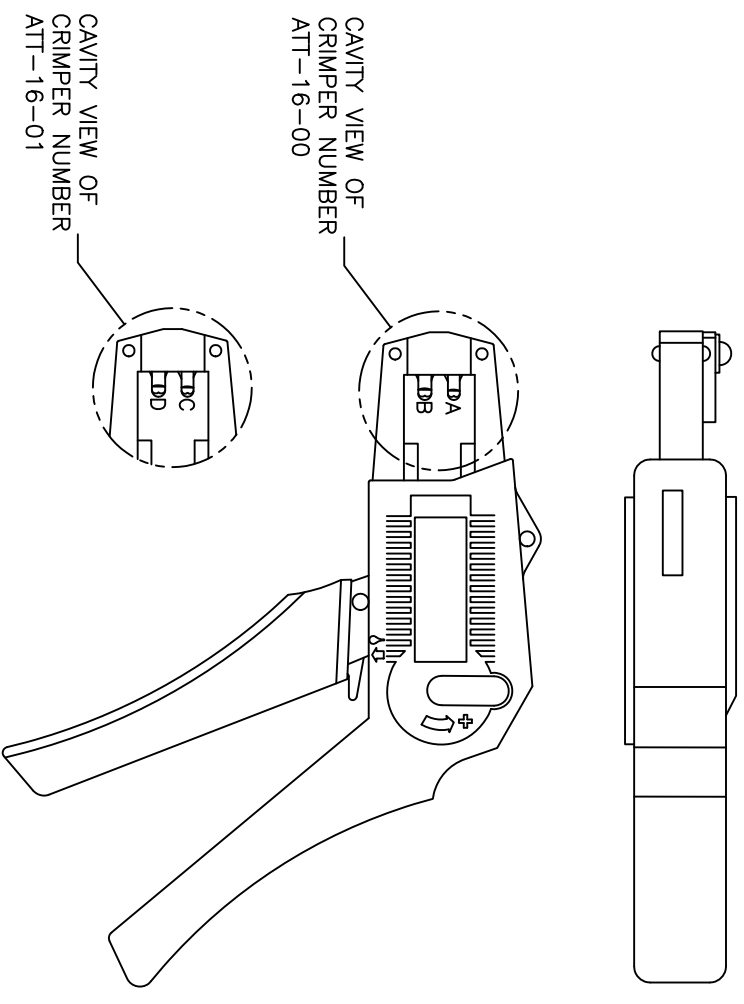
REVISIONS					
REV	ECO	DESCRIPTION	DATE	BY	APPR
A1	-	RELEASE NUMBER 016571	6/12/09	B.D.B.	M.R.F.

USE CRIMPER NUMBER:
ATT-16-00 WITH CAVITY A & B

CONTACT P/N:	INSULATION ϕ	CAVITY	WIRE SIZE
AT60-16-01**	.075 - .140	B	1.5mm ²
AT62-16-01**	[1.91 - 3.56]	A	16AWG
		A	1.0mm ²
AT60-14-01**	.095 - .150	B	14AWG
AT62-14-01**	[2.41 - 3.81]	B	2.0mm ²
		B	1.5mm ²
		A	1.5mm ²
		A	16AWG
		A	1.0mm ²
AT60-16-06**	.055 - .100	A	16AWG
AT62-16-06**	[1.40 - 2.54]	A	1.0mm ²

USE CRIMPER NUMBER:
ATT-16-01 WITH CAVITY C & D

CONTACT P/N:	INSULATION ϕ	CAVITY	WIRE SIZE
AT60-16-01**	.075 - .140	D	18AWG
AT62-16-01**	[1.91 - 3.56]	D	.75mm ²
AT60-16-06**	.055 - .100	D	18AWG
AT62-16-06**	[1.40 - 2.54]	D	.75mm ²
		C	.50mm ²



ALL REFERENCES TO DEUTSCH PRODUCTS OR SPECIFICATIONS ARE FOR COMPARISON PURPOSES ONLY, AND REFER TO DEUTSCH INDUSTRIAL PRODUCTS.

- NOTES (UNLESS OTHERWISE SPECIFIED):
- ALL DIMENSIONS IN INCHES [MILLIMETERS]
 - FOR PLATING CODES ** SEE CONTACT DATA DRAWINGS.
 - THIS TOOL IS FOR CRIMPING SIZE 16 CONTACTS ONLY TO WIRES LISTED IN THE CHARTS.
 - DEUTSCH IPD CROSS REFERENCE PART NUMBERS ARE DTT-16-00 AND DTT-16-01.

QUANTITY	PART NUMBER	DESCRIPTION	ITER#
		MATERIALS LIST	
		SINE Systems Corporation	
		A Subsidiary of Amphenol Corporation	
		44724 Morley Drive	
		Clifton Township, NJ 08036	
		INSTRUCTIONS, ATT-16-00 & 01	
		CRIMPER, HAND, STAMPED CONTACTS	
		SIZE: PCD# N01DWS NC#	
		B 16K44	
		SCALE: NONE	
		S2-15223	
		SHEET 1 of 1	
		REVISION	
		A1	

UNLESS OTHERWISE SPECIFIED	SIGNATURES	DATE
1) All dimensions are in inches.	DRAWN: BERNUW	6/8/09
2) Tolerances are as follows:	CHECKED: FORCE	6/8/09
3) 1st DEC 3.000	ENGINEER: BERNUW	
2nd DEC 3.000	APPROVAL: BERNUW	6/8/09
3rd DEC 3.000	CUSTOMER:	
4) Hole Reference = A		
INTERNAL SPECIFICATIONS:		
M/A		
PROCESS SPECIFICATIONS:		
NOT ASY:		

REVIEWS		ECO	DESCRIPTION	DATE	BY	APP
AT	-	-	RELEASE NUMBER 016871	6/12/09	B.D.B.	M.F.F.

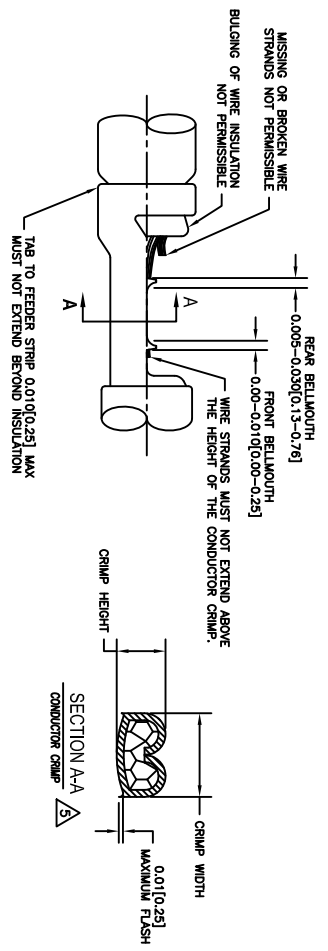
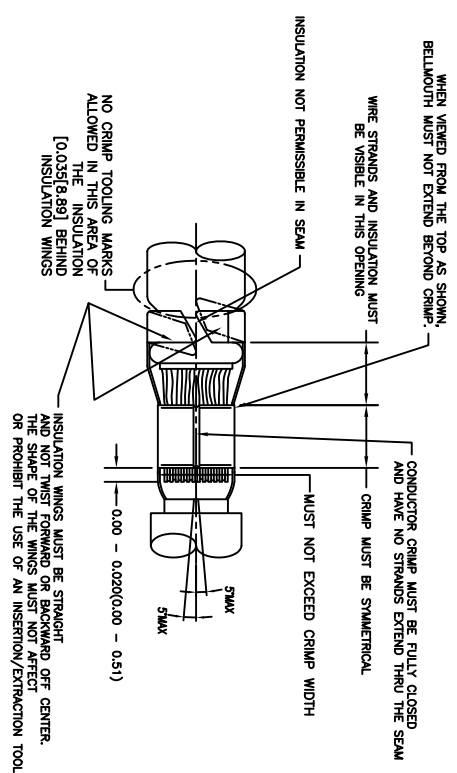
STAMPED CONTACT PART NUMBER 1068=PIN 1068=SOCKET	SIZE	CONDUCTOR WIRE SIZE	CRIMP HEIGHT	CRIMP WIDTH	CONDUCTOR PUNCH NUMBER	CONDUCTOR ANVIL NUMBER	CRIMP TENSILE REFERENCE
AT80-14-011x AT82-14-011x INSULATION RANGE 0.095-0.150(2.41-3.81)	16	14 AWG 2.00mm ² 1.50mm ² 16 AWG 1.00mm ² 18 AWG 0.75mm ²	0.055(1.40) 0.055(1.40) 0.055(1.39) 0.050(1.27) 0.049(1.24) 0.048(1.22)	±0.003 INCH [±0.08 mm]	AT17-002-0200	AT17-101-0200	28(111)
AT60-16-011x AT62-16-011x INSULATION RANGE 0.075-0.140(1.91-3.56)	16	16 AWG 1.00mm ² 18 AWG 0.75mm ²	0.050(1.27) 0.051(1.30) 0.050(1.27) 0.049(1.24)	0.094(2.39) 0.094(2.39) 0.094(2.39) 0.094(2.39)	AT17-002-0200	AT17-101-0200	28(111)
AT60-16-066x INSULATION RANGE 0.055-0.100(1.40-2.54)	16	16 AWG 1.00mm ² 20 AWG 0.50mm ²	0.050(1.27) 0.049(1.24) 0.048(1.22) 0.045(1.14)	0.079(2.01) 0.079(2.01) 0.079(2.01) 0.079(2.01)	AT17-003-0200	AT17-103-0200	28(111) 15(67)

CROSS REFERENCE

SINE PART NUMBER	DEUTSCH PART NUMBER
MX-3950	DC116-02-00
AT17-002-0200	1017-002-0200
AT17-003-0200	1017-003-0200
AT17-101-0200	1017-101-0200
AT17-103-0200	1017-103-0200
AT17-210-0200	1017-210-0200
AT17-211-0200	1017-211-0200
AT17-213-0200	1017-213-0200
AT17-214-0200	1017-214-0200
AT17-217-0200	1017-217-0200
AT17-218-0200	1017-218-0200
AT17-310-0200	1017-310-0200
AT17-311-0200	1017-311-0200
AT17-313-0200	1017-313-0200
AT17-304-0200	1017-304-0200
AT17-317-0200	1017-317-0200

NOTES: UNLESS OTHERWISE SPECIFIED

1. ALL DIMENSIONS ARE IN INCHES(mm).
2. FORCES ARE IN POUNDS(LBS) AND NEWTONS(N).
3. "X"= PLATING SUFFIX. SEE INDIVIDUAL CONTACT DRAWING.
4. WIRE STRIP LENGTH: 0.175±0.029(4.45±0.74). BROKEN OR MISSING CONDUCTOR STRANDS ARE NOT ACCEPTABLE.
5. USE A BLADE MICROMEETER (0.100(2.54) MIN SPACING AND 0.060(0.010(1.50)(0.040) ANVIL) TO MEASURE THE CONDUCTOR CRIMP. SEE SECTION AA.
6. CRIMP TENSILE STRENGTH IS DETERMINED AT A PULL RATE SPEED OF 1.00 INCH(25.4) PER MINUTE. INSULATION WINGS ARE REMOVED FOR TEST. ACTUAL CRIMP TENSILE STRENGTH DEPENDS ON WIRE/CONDUCTOR SIZE. VALUES ON THIS SPECIFICATION ARE FOR REFERENCE ONLY.
7. INSULATION DIAMETER RANGE IS DETERMINED BY CONNECTOR AND ITS WIRE SEAL SIZE. SEE CONNECTOR DRAWING FOR INSULATION RANGE.
8. INSULATION CRIMP DIAMETER SHOULD BE THE EQUAL OR LESS THAN THE DIAMETER OF THE WIRE INSULATION (HARD OR TEFION INSULATION MAY BE AN EXCEPTION). INSULATION CRIMP SHALL NOT AFFECT REMOVAL TOOL PERFORMANCE AND SHALL NOT DAMAGE CONNECTOR GROMMET SEAL.
9. CONDUCTOR TYPE ARE PER SAE J1128(AWG) AND ISO 6722(METRIC)
10. FOR CONTACT MATERIAL AND PERFORMANCE DATA, SEE DRAWING S2-15217.
11. REFER TO S2-15223 AND S2-15224 AND CROSS REFERENCE CHARTS FOR CRIMP TOOL DATA.



ALL REFERENCES TO DEUTSCH PRODUCTS OR SPECIFICATIONS ARE FOR COMPARISON PURPOSES ONLY, AND REFER TO DEUTSCH INDUSTRIAL PRODUCTS.

QUANTITY	PART NUMBER	DESCRIPTION	ITEM
MATERIALS LIST			
UNLESS OTHERWISE SPECIFIED			
1) All dimensions are in inches.			
2) Plating: 5000 Ang			
3) Plating: 5000 Ang			
4) Plating: 5000 Ang			
5) Reduction Standards Per: AMS 2431			
6) Heat Treatment: 200±20			
7) Material Specification: 6/8/09			
8) Material Specification: 6/8/09			
9) Material Specification: 6/8/09			
10) Material Specification: 6/8/09			
11) Material Specification: 6/8/09			
12) Material Specification: 6/8/09			
13) Material Specification: 6/8/09			
14) Material Specification: 6/8/09			
15) Material Specification: 6/8/09			
16) Material Specification: 6/8/09			
17) Material Specification: 6/8/09			
18) Material Specification: 6/8/09			
19) Material Specification: 6/8/09			
20) Material Specification: 6/8/09			
21) Material Specification: 6/8/09			
22) Material Specification: 6/8/09			
23) Material Specification: 6/8/09			
24) Material Specification: 6/8/09			
25) Material Specification: 6/8/09			
26) Material Specification: 6/8/09			
27) Material Specification: 6/8/09			
28) Material Specification: 6/8/09			
29) Material Specification: 6/8/09			
30) Material Specification: 6/8/09			
31) Material Specification: 6/8/09			
32) Material Specification: 6/8/09			
33) Material Specification: 6/8/09			
34) Material Specification: 6/8/09			
35) Material Specification: 6/8/09			
36) Material Specification: 6/8/09			
37) Material Specification: 6/8/09			
38) Material Specification: 6/8/09			
39) Material Specification: 6/8/09			
40) Material Specification: 6/8/09			
41) Material Specification: 6/8/09			
42) Material Specification: 6/8/09			
43) Material Specification: 6/8/09			
44) Material Specification: 6/8/09			
45) Material Specification: 6/8/09			
46) Material Specification: 6/8/09			
47) Material Specification: 6/8/09			
48) Material Specification: 6/8/09			
49) Material Specification: 6/8/09			
50) Material Specification: 6/8/09			
51) Material Specification: 6/8/09			
52) Material Specification: 6/8/09			
53) Material Specification: 6/8/09			
54) Material Specification: 6/8/09			
55) Material Specification: 6/8/09			
56) Material Specification: 6/8/09			
57) Material Specification: 6/8/09			
58) Material Specification: 6/8/09			
59) Material Specification: 6/8/09			
60) Material Specification: 6/8/09			
61) Material Specification: 6/8/09			
62) Material Specification: 6/8/09			
63) Material Specification: 6/8/09			
64) Material Specification: 6/8/09			
65) Material Specification: 6/8/09			
66) Material Specification: 6/8/09			
67) Material Specification: 6/8/09			
68) Material Specification: 6/8/09			
69) Material Specification: 6/8/09			
70) Material Specification: 6/8/09			
71) Material Specification: 6/8/09			
72) Material Specification: 6/8/09			
73) Material Specification: 6/8/09			
74) Material Specification: 6/8/09			
75) Material Specification: 6/8/09			
76) Material Specification: 6/8/09			
77) Material Specification: 6/8/09			
78) Material Specification: 6/8/09			
79) Material Specification: 6/8/09			
80) Material Specification: 6/8/09			
81) Material Specification: 6/8/09			
82) Material Specification: 6/8/09			
83) Material Specification: 6/8/09			
84) Material Specification: 6/8/09			
85) Material Specification: 6/8/09			
86) Material Specification: 6/8/09			
87) Material Specification: 6/8/09			
88) Material Specification: 6/8/09			
89) Material Specification: 6/8/09			
90) Material Specification: 6/8/09			
91) Material Specification: 6/8/09			
92) Material Specification: 6/8/09			
93) Material Specification: 6/8/09			
94) Material Specification: 6/8/09			
95) Material Specification: 6/8/09			
96) Material Specification: 6/8/09			
97) Material Specification: 6/8/09			
98) Material Specification: 6/8/09			
99) Material Specification: 6/8/09			
100) Material Specification: 6/8/09			

SINE SYSTEMS CORPORATION
A Subsidiary of Amphenol Corporation
44724 Moley Drive
Clinton Township, MI 48036

CRIMP DATA, STAMPED CONTACTS FOR CRIMPER MFX-3950

SIZE: 10K44
SCALE: NONE
S2-15222
SHEET 1 OF 1

REVISIONS						
REV	ZONE	ECO	DESCRIPTION	DATE	BY	APP
A1	-	-	RELEASE NUMBER 016971	6/12/09	B.D.B.	M.F.F.

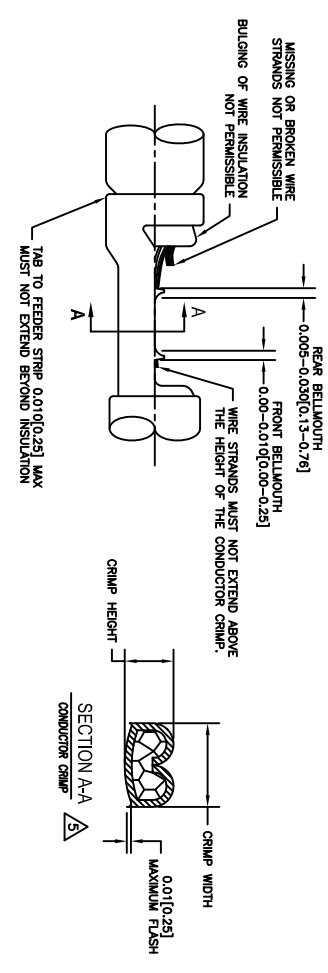
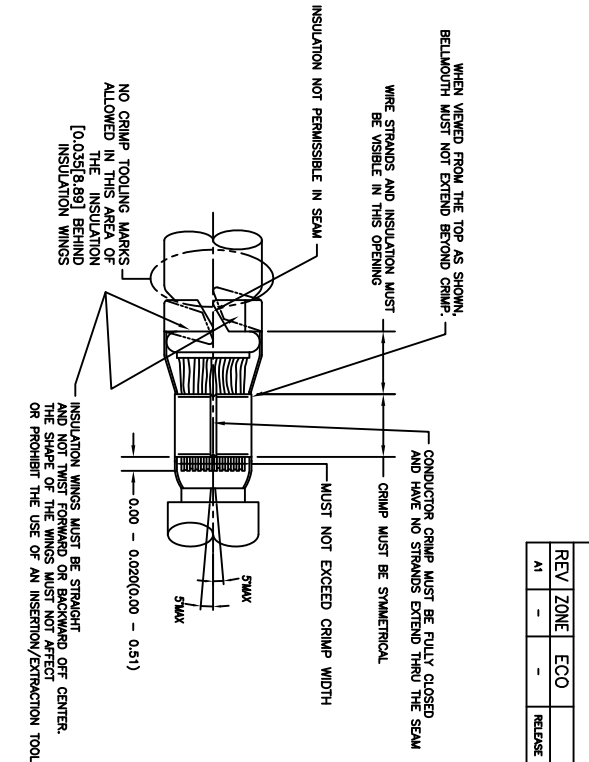
STAMPED CONTACT PART NUMBER (1009=PIN 1009=SOCKET)	SIZE	CONDUCTOR WIRE SIZE	CRIMP HEIGHT (+0.001/-0.002 INCH / +0.025/-0.05 mm)	CRIMP WIDTH (±0.013 INCH / ±0.08 mm)	CONDUCTOR PUNCH NUMBER	CONDUCTOR ANVIL NUMBER	CRIMP TENSILE REFERENCE (LBS/IN)
A160-14-011x	16	14 AWG	0.0591(1.40)	0.0942(2.39)			
A162-14-011x	16	1.50mm ²	0.0591(1.40)	0.0942(2.39)			
A162-14-011x INSULATION RANGE 0.075-0.140(1.91-3.56)	16	16 AWG	0.0501(1.27)	0.0842(2.39)	A117-083-0200	A117-183-0200	29(111)
		1.00mm ²	0.0491(1.24)	0.0842(2.39)			
		18 AWG	0.0491(1.24)	0.0842(2.39)			
		0.75mm ²	0.0491(1.24)	0.0842(2.39)			
		14 AWG	0.0591(1.40)	0.0942(2.39)			
		2.00mm ²	0.0591(1.40)	0.0942(2.39)			
		1.50mm ²	0.0591(1.40)	0.0942(2.39)			
A162-16-011x	16	16 AWG	0.0501(1.27)	0.0942(2.39)	A117-083-0200	A117-183-0200	29(111)
A162-16-011x INSULATION RANGE 0.075-0.140(1.91-3.56)	16	1.00mm ²	0.0501(1.27)	0.0942(2.39)			
		18 AWG	0.0491(1.24)	0.0942(2.39)			
		0.75mm ²	0.0491(1.24)	0.0942(2.39)			
A160-16-061x	16	16 AWG	0.0501(1.27)	0.092(2.01)			
A162-16-061x	16	1.00mm ²	0.0501(1.27)	0.092(2.01)			
INSULATION RANGE 0.059-0.100(1.49-2.54)	16	0.75mm ²	0.0491(1.24)	0.092(2.01)	A117-082-0200	A117-182-0200	29(111)
		20 AWG	0.0491(1.24)	0.092(2.01)			
		0.50mm ²	0.0491(1.4)	0.092(2.01)			19(67)

CROSS REFERENCE

INSULATION DIAMETER RANGE	INSULATION PUNCH NUMBER	INSULATION ANVIL NUMBER	SINE PART NUMBER	DEUTSCH PART NUMBER
0.120-0.150	[3.05-3.81]	A117-225-0200	MPX-3953	DCT1620-02-00
0.105-0.125	[2.67-3.18]	A117-226-0200	A117-083-0200	1017-083-0200
0.085-0.111	[2.16-2.82]	A117-227-0200	A117-082-0200	1017-082-0200
0.075-0.105	[1.91-2.67]	A117-228-0200	A117-183-0200	1017-183-0200
0.063-0.094	[1.62-2.39]	A117-229-0200	A117-182-0200	1017-182-0200
0.050-0.075	[1.27-1.91]	A117-230-0200	A117-225-0200	1017-225-0200
			A117-226-0200	1017-226-0200
			A117-227-0200	1017-227-0200
			A117-228-0200	1017-228-0200
			A117-229-0200	1017-229-0200
			A117-230-0200	1017-230-0200
			A117-325-0200	1017-325-0200
			A117-326-0200	1017-326-0200
			A117-327-0200	1017-327-0200
			A117-328-0200	1017-328-0200
			A117-329-0200	1017-329-0200
			A117-330-0200	1017-330-0200

NOTES: UNLESS OTHERWISE SPECIFIED

1. ALL DIMENSIONS ARE IN INCHES(mm).
2. FORCES ARE IN POUNDS(LBS) AND NEWTONS(N).
3. "X"= PLATING SUFFIX. SEE INDIVIDUAL CONTACT DRAWING.
4. WIRE STRIP LENGTH: 0.175±0.0294, 45±0.64. BROKEN OR MISSING CONDUCTOR STRANDS ARE NOT ACCEPTABLE.
5. USE A BLADE MICROMETER (0.100[2.54] MIN SPINDLE AND 0.060[0.0101], 500[0.040] ANVIL) TO MEASURE THE CONDUCTOR CRIMP. SEE SECTION AA.
6. CRIMP TENSILE STRENGTH IS DETERMINED AT A PULL RATE SPEED OF 1.00 INCH(25.4) PER MINUTE. INSULATION WINGS ARE REMOVED FOR TEST. ACTUAL CRIMP TENSILE STRENGTH DEPENDS ON WIRE/CONDUCTOR SIZE. VALUES ON THIS SPECIFICATION ARE FOR REFERENCE ONLY.
7. INSULATION DIAMETER RANGE IS DETERMINED BY CONNECTOR AND ITS WIRE SEAL SIZE. SEE CONNECTOR DRAWING FOR INSULATION RANGE.
8. INSULATION CRIMP DIAMETER SHOULD BE THE EQUAL OR LESS THAN THE DIAMETER OF THE WIRE INSULATION (HARD OR TEFION INSULATION MAY BE AN EXCEPTION). INSULATION CRIMP SHALL NOT AFFECT REMOVAL TOOL PERFORMANCE AND SHALL NOT DAMAGE CONNECTOR GROMMET SEAL.
9. CONDUCTOR TYPE ARE PER SAE J1128(AWG) AND ISO 6722(METRIC)
10. FOR CONTACT MATERIAL AND PERFORMANCE DATA, SEE DRAWING S2-15217.
11. REFER TO S2-15223 AND S2-15224 AND CROSS REFERENCE CHARTS FOR CRIMP TOOL DATA.



ALL REFERENCES TO DEUTSCH PRODUCTS OR SPECIFICATIONS ARE FOR COMPARISON PURPOSES ONLY, AND REFER TO DEUTSCH INDUSTRIAL PRODUCTS.

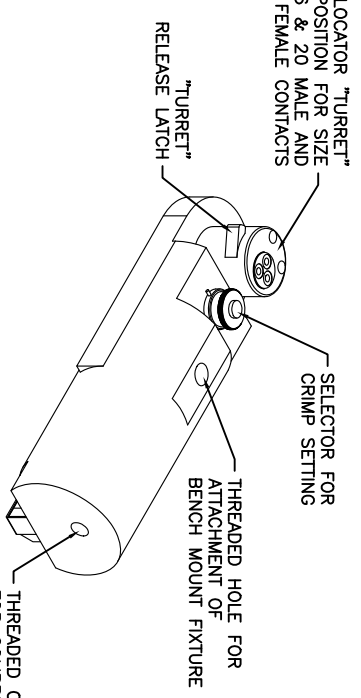
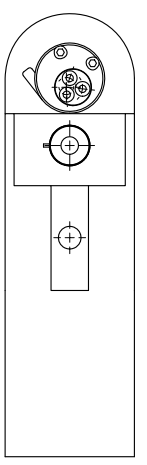
QUANTITY	PART NUMBER	MATERIALS LIST	DESCRIPTION	ITEM
UNLESS OTHERWISE SPECIFIED	SIGNATURES	DATE		
1) All dimensions are in inches.	DATE	4/7/09		
2) All dimensions are in millimeters.	DATE	6/8/09		
3) Production Standard Per: Alpha S1*	ENGINEER	BERNIM		
4) Form: S2-20020	APPROVAL	BERNIM	6/8/09	
MATERIAL SPECIFICATIONS:	CUSTOMER			
NA				
PROCESS SPECIFICATIONS:	THE USE OF THIS DRAWING & SPECIFICATIONS, AND PERFORMANCE DATA, IS THE PROPERTY OF AMPHENOL CORP. ALL DIMENSIONS ARE SUBJECT TO NORMAL DOCUMENTS RETAINED HEREON. ANY DOCUMENTS RETAINED HEREON MAY CONTAIN LIMITED RIGHTS DATA.			
SIZE	SCALE	SIZE	SCALE	SIZE
10K44	C	10K44	C	10K44
S2-15221	S2-15221	S2-15221	S2-15221	S2-15221
SHEET 1	SHEET 1	SHEET 1	SHEET 1	SHEET 1

SINE Systems Corporation
 A Subsidiary of Amphenol Corporation
 44724 Moley Drive
 Clinton Township, MI 48036

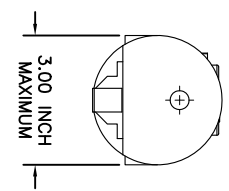
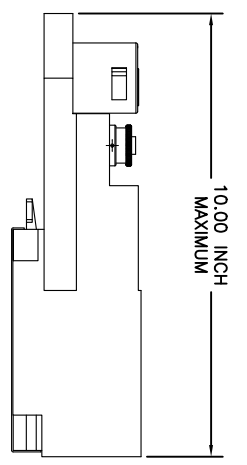
CRIMP DATA, STAMPED CONTACTS FOR CRIMPER MPX-3953

REVOLUTIONS		DESCRIPTION	DATE	BY	APPR
REV	ZONE	ECO	RELEASE NUMBER	B.D.B.	M.R.F.
A1	-	-	016571	6/12/09	

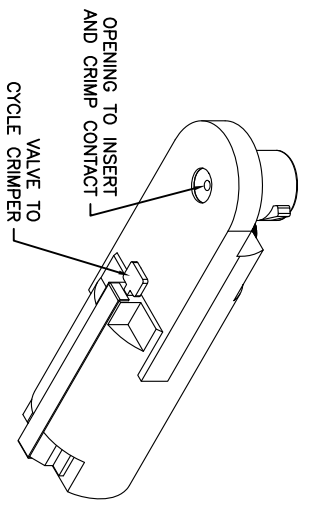
CONTACT LOCATOR "TURRET"
THREE POSITION FOR SIZE
12, 16 & 20 MALE AND
FEMALE CONTACTS



THREADED OPENING
FOR COMPRESSED
AIR FITTING

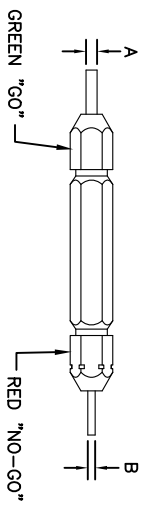


- THE CA-5E12 IS A COMPRESSED AIR OPERATED HAND CRIMPER FOR ELECTRICAL CONTACTS. IT IS ADJUSTABLE TO 3 CONTACT SIZES (12, 16 & 20) AND 8 INDENTER CRIMP POSITIONS FOR DIFFERENT WIRE SIZES (12AWG THRU 26 AWG).
- 80-120 PSI COMPRESSED AIR.
- WEIGHT: 3.1 LBS
- SELECTING CONTACT SIZE: PRESS THE RELEASE LATCH ON SIDE OF THE CONTACT LOCATOR "TURRET". ROTATE TO THE DESIRED CONTACT SIZE. THE TOP OF THE "TURRET" IS EMBOSSED WITH THE CONTACT SIZES.
- SELECTING WIRE SIZE: GRASP THE SELECTOR AND ROTATE TO THE DESIRED NUMBER.



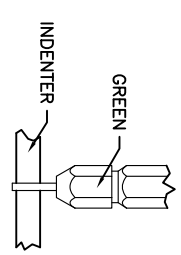
GAGE PART NO.	A GO DIA.	B NO-GO DIA.	SELECTOR NUMBER
G125	.0390	.0440	4

GAGING INSTRUCTIONS
CAUTION!
DO NOT CRIMP GAGE!

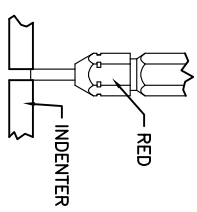


"GO" GAGING: OPERATE TOOL TO FULLY CLOSED POSITION. INSERT "GO" GAGE END AS SHOWN. GAGE MUST PASS FREELY BETWEEN INDENTER TIPS.

"NO-GO" GAGING: OPERATE TOOL TO FULLY CLOSED POSITION. INSERT "NO-GO" GAGE END AS SHOWN. THE "NO-GO" MAY PARTIALLY ENTER THE INDENTER OPENING, BUT MUST NOT PASS COMPLETELY THROUGH THE OPENING.



SELECTOR NUMBER	A GO DIA.	B NO-GO DIA.
1	.0280	.0350
2	.0320	.0370
3	.0360	.0410
4	.0390	.0440
5	.0450	.0500
6	.0520	.0570
7	.0590	.0640
8	.0880	.0730



CONTACT SIZE	LOCATOR "TURRET" POSITION	WIRE COLOR	SELECTOR NUMBER
20-20	RED	1	2
16-22	BLUE	4	5
16-20	BLUE	1	2
16-16	BLUE	4	5
12-16	YELLOW	4	5
12-12	YELLOW		7
			8

MATERIALS LIST

QUANTITY	PART NUMBER	DESCRIPTION	ITEM

SINE Systems Corporation
A Subsidiary of Amphenol Corporation
44724 Mowley Drive
Canton Township, MI 48036

INSTRUCTIONS FOR CA-5E12 CRIMPER, PNEUMATIC

SIZE: 10K44
SCALE: NONE
S2-15220
SHEET 1 OF 1

REV ZONE		ECO		REVISIONS		DESCRIPTION		DATE	BY	APPR
AI	-	-	-	RELEASE NUMBER	016571	6/12/09	B.D.B.	M.R.F.		

CONTACT LOCATOR
"TURRET"
THREE POSITIONS FOR
SIZE 12, 16 & 20 MALE
AND FEMALE CONTACTS

"TURRET" RELEASE LATCH

6.25 INCH
MAXIMUM
OPEN

2.30 INCH
MAXIMUM
CLOSED

SELECTOR FOR CRIMP
SETTING

1.125 INCH MAX.

9.75 INCH MAXIMUM

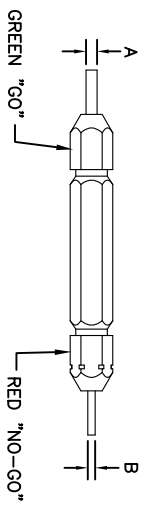
1.00 INCH MAX.

- NOTES:
- THE CA-5D12 IS A HAND OPERATED CRIMPER FOR ELECTRICAL CONTACTS. IT IS ADJUSTABLE TO 3 CONTACT SIZES (12, 16 & 20) AND 8 INDENTER CRIMP POSITIONS FOR DIFFERENT WIRE SIZES (12AWG THRU 26 AWG).
 - WEIGHT: 1.64 LBS
 - SELECTING CONTACT SIZE: PRESS THE RELEASE LATCH ON SIDE OF THE CONTACT LOCATOR "TURRET". ROTATE TO THE DESIRED CONTACT SIZE. THE TOP OF THE "TURRET" IS EMBOSSED WITH THE CONTACT SIZES.
 - SELECTING WIRE SIZE: REMOVE THE LOCKING CLIP. GRASP THE SELECTOR AND ROTATE TO THE DESIRED NUMBER.

GAGE PART NO.	A GO DIA.	B NO-GO DIA.	SELECTOR NUMBER
G125	.0390	.0440	4

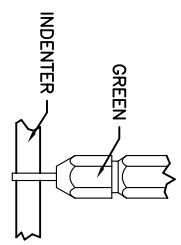
GAGING INSTRUCTIONS

CAUTION!
DO NOT CRIMP GAGE!



"GO" GAGING: OPERATE TOOL TO FULLY CLOSED POSITION. INSERT "GO" GAGE END AS SHOWN. GAGE MUST PASS FREELY BETWEEN INDENTER TIPS.

"NO-GO" GAGING: OPERATE TOOL TO FULLY CLOSED POSITION. INSERT "NO-GO" GAGE END AS SHOWN. THE "NO-GO" MAY PARTIALLY ENTER THE INDENTER OPENING, BUT MUST NOT PASS COMPLETELY THROUGH THE OPENING.



SELECTOR NUMBER	A GO DIA.	B NO-GO DIA.
1	.0280	.0330
2	.0320	.0370
3	.0360	.0410
4	.0390	.0440
5	.0450	.0500
6	.0520	.0570
7	.0590	.0640
8	.0880	.0730

CONTACT SIZE	LOCATOR "TURRET" POSITION	WIRE COLOR	1	2	3	4	5	6	7	8
20-20	RED	1	2	3	4					
16-22	BLUE	4	5	6						
16-20	BLUE	1	2	3	4					
16-16	BLUE	4	5	6						
12-16	YELLOW	4	5	6						
12-12	YELLOW									8

QUANTITY PART NUMBER MATERIALS LIST DESCRIPTION ITEM

UNLESS OTHERWISE SPECIFIED:
1) All dimensions are in inches.
2) Finish: .0005
3) Pl. Spec. 40.00
4) Pl. Spec. 40.00
5) Pl. Spec. 40.00
6) Pl. Spec. 40.00
7) Pl. Spec. 40.00
8) Pl. Spec. 40.00
9) Pl. Spec. 40.00
10) Pl. Spec. 40.00
11) Pl. Spec. 40.00
12) Pl. Spec. 40.00
13) Pl. Spec. 40.00
14) Pl. Spec. 40.00
15) Pl. Spec. 40.00
16) Pl. Spec. 40.00
17) Pl. Spec. 40.00
18) Pl. Spec. 40.00
19) Pl. Spec. 40.00
20) Pl. Spec. 40.00
21) Pl. Spec. 40.00
22) Pl. Spec. 40.00
23) Pl. Spec. 40.00
24) Pl. Spec. 40.00
25) Pl. Spec. 40.00
26) Pl. Spec. 40.00
27) Pl. Spec. 40.00
28) Pl. Spec. 40.00
29) Pl. Spec. 40.00
30) Pl. Spec. 40.00
31) Pl. Spec. 40.00
32) Pl. Spec. 40.00
33) Pl. Spec. 40.00
34) Pl. Spec. 40.00
35) Pl. Spec. 40.00
36) Pl. Spec. 40.00
37) Pl. Spec. 40.00
38) Pl. Spec. 40.00
39) Pl. Spec. 40.00
40) Pl. Spec. 40.00
41) Pl. Spec. 40.00
42) Pl. Spec. 40.00
43) Pl. Spec. 40.00
44) Pl. Spec. 40.00
45) Pl. Spec. 40.00
46) Pl. Spec. 40.00
47) Pl. Spec. 40.00
48) Pl. Spec. 40.00
49) Pl. Spec. 40.00
50) Pl. Spec. 40.00
51) Pl. Spec. 40.00
52) Pl. Spec. 40.00
53) Pl. Spec. 40.00
54) Pl. Spec. 40.00
55) Pl. Spec. 40.00
56) Pl. Spec. 40.00
57) Pl. Spec. 40.00
58) Pl. Spec. 40.00
59) Pl. Spec. 40.00
60) Pl. Spec. 40.00
61) Pl. Spec. 40.00
62) Pl. Spec. 40.00
63) Pl. Spec. 40.00
64) Pl. Spec. 40.00
65) Pl. Spec. 40.00
66) Pl. Spec. 40.00
67) Pl. Spec. 40.00
68) Pl. Spec. 40.00
69) Pl. Spec. 40.00
70) Pl. Spec. 40.00
71) Pl. Spec. 40.00
72) Pl. Spec. 40.00
73) Pl. Spec. 40.00
74) Pl. Spec. 40.00
75) Pl. Spec. 40.00
76) Pl. Spec. 40.00
77) Pl. Spec. 40.00
78) Pl. Spec. 40.00
79) Pl. Spec. 40.00
80) Pl. Spec. 40.00
81) Pl. Spec. 40.00
82) Pl. Spec. 40.00
83) Pl. Spec. 40.00
84) Pl. Spec. 40.00
85) Pl. Spec. 40.00
86) Pl. Spec. 40.00
87) Pl. Spec. 40.00
88) Pl. Spec. 40.00
89) Pl. Spec. 40.00
90) Pl. Spec. 40.00
91) Pl. Spec. 40.00
92) Pl. Spec. 40.00
93) Pl. Spec. 40.00
94) Pl. Spec. 40.00
95) Pl. Spec. 40.00
96) Pl. Spec. 40.00
97) Pl. Spec. 40.00
98) Pl. Spec. 40.00
99) Pl. Spec. 40.00
100) Pl. Spec. 40.00

SINE Systems Corporation
A Subsidiary of Amphenol Corporation
44724 Moley Drive
Canton Township, MI 48036

INSTRUCTIONS FOR CA-5D12
CRIMPER, HAND, MACHINED CONTACTS
SCALE: NONE
SIZE: 10K44
REV: A1
SHEET: 1 OF 1

PROCESS SPECIFICATIONS:
M/A
NEXT ASSY:

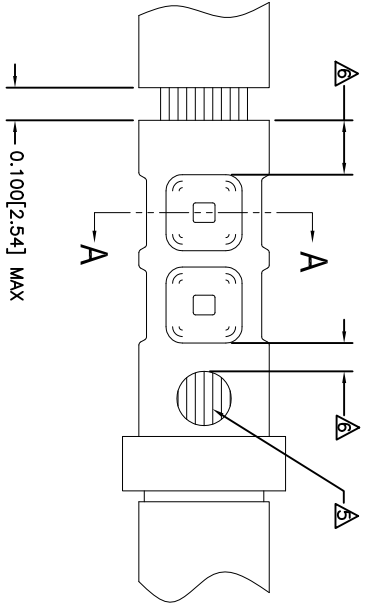
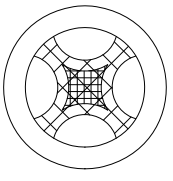
REVOLUTIONS		DESCRIPTION	DATE	BY	APPR
REV	ZONE	ECO	RELEASE NUMBER	B.D.B.	M.R.F.
A1	-	-	016571	6/12/09	

CONTACT P/N	SIZE TYPE	WIRE SIZE	REF. ONLY TENSILE LBS[N]
AT60-202-16XX	16PIN	1.5mm ² 16AWG	35[156]
AT62-201-16XX	16SOC	1.0mm ² 18AWG 0.75mm ² 20AWG	25[111] 20[89]

RECOMMENDED STRIP LENGTH	
CONTACT SIZE	STRIP LENGTH INCH[MM]
16	0.250-0.312[6.35-7.92]

CRIMP TOOLING						
CONTACT SIZE	CRIMP TOOL PART NUMBER	CONTACT LOCATOR "TURRET" POSITION	WIRE SELECTOR NUMBER	GO GAGE INCH[MM]	"NOGO" GAGE INCH[MM]	REMARKS
16	CA-5D12 CA-5E12	BLUE	6	0.052[1.32]	0.057[1.45]	
16	CA-5D12 CA-5E12	BLUE	4	0.039[.991]	0.044[1.12]	SIZE 16 WITH 20 AWG WIRE

- NOTES: UNLESS OTHERWISE SPECIFIED
- 1. MINIMUM +/-0.0005 [0.013] TOLERANCE STEEL GAGE PINS. DO NOT CRIMP GAGE PINS. CLOSE DIE, THEN USE GAGE PINS.
 - 2. WHEN XX=31, CONTACT PLATING IS GOLD WHEN XX=141, CONTACT PLATING IS NICKEL
 - 3. PULL RATE OF 1.0 IN [25.4] PER MINUTE. ACTUAL STRENGTH DEPENDS ON WIRE SIZE.
 - 4. FOR CONTACT PERFORMANCE, MATERIAL SPECIFICATIONS AND APPLICATION DETAILS, SEE DRAWING S2-15217. CONDUCTOR STRANDS MUST BE VISIBLE THRU THE INSPECTION HOLE PRIOR TO CRIMP.
 - 5. PROPER CRIMP TOOLING WILL PRODUCE A CRIMP CENTERED BETWEEN THE INSPECTION HOLE AND CRIMP BARREL END.
 - 6. WIRE SIZES PER SAE J1128 AND J1560 [DIN 72551-6]
 - 7. REFERENCE INSTRUCTION MANUALS S2-15219 AND S2-15220 FOR CA-5D12 AND CA-5E12 HAND AND PNEUMATIC CRIMPER.
 - 8. THE CRIMP HEIGHT DIMENSION AFTER CRIMPING MAY VARY FROM THE VALUES LISTED FOR THE "GO-NOGO" PINS.



SECTION A-A
CRIMP CROSS-SECTION

QUANTITY	PART NUMBER	DESCRIPTION	ITEM
UNLESS OTHERWISE SPECIFIED			
1) All dimensions are in inches.			
2) All tolerances are as shown.			
3) Pl. SPEC 34.00 [Precision 31/64]			
4) Pl. SPEC 34.01 [Angles 31/4]			
5) Fabrication Standards Per:			
a) MIL-STD-20020			
b) MIL-STD-20020			
c) MIL-STD-20020			
d) MIL-STD-20020			
MATERIAL SPECIFICATIONS:			
MA			
PROCESS SPECIFICATIONS:			
THE USE OF THIS DRAWING IS LIMITED TO THE SPECIFIC APPLICATIONS AND PERFORMANCE SPECIFICATIONS AND PERFORMANCE PRESENTED HEREON. ANY OTHER USE WITHOUT THE WRITTEN PERMISSION OF AMPHENOL CORP. ALL DIMENSIONS ARE SUBJECT TO NORMAL DOCUMENT REVISION HEREON. ANY DIMENSIONS NOT SHOWN SHALL BE AS SHOWN ON THE ORIGINAL DRAWING. AMPHENOL CORP. ALL RIGHTS RESERVED.			
SIGNATURES		DATE	
DESIGNED BY	BERNIM	6/3/09	
CHECKED BY	ROUC	6/3/09	
ENGINEER	BERNIM		
APPROVAL	BERNIM	6/3/09	
CUSTOMER			
MATERIAL SPECIFICATIONS:			
SIZE [PICK NUMBER] S2-15218			
SCALE NONE			
SHEET 1 OF 1			

SINE Systems Corporation
A Subsidiary of Amphenol Corporation
44724 Moley Drive
Clinton Township, MI 48036

CRIMP INFORMATION
SOLID MACHINED CONTACTS

REV	ZONE	ECO	DESCRIPTION	DATE	BY	APPR
A1	-	-	RELEASE NUMBER 016971	6/12/09	B.D.B.	M.R.F.

REVISIONS

REV	ZONE	ECO	DESCRIPTION	DATE	BY	APPR
A1	-	-	RELEASE NUMBER 016971	6/12/09	B.D.B.	M.R.F.

SOLID CONTACT SIZE	SOLID CONTACT PART NUMBERS		WIRE SIZE AWG (mm ²)	RECOMMENDED STRIP LENGTH INCH (mm)	MIN CONTACT RETENTION LBS (N)	REF CRIMP TENSILE LBS (N)	MAX RATED AMPS@125°C CONTINUOUS
	PN	SOCKET					
16	AT60-202-16**	AT62-201-16**	16-20 [1.5-0.5]	0.25-0.31 [6.35-7.92]	25 [1111]	35-20 [156-89]	13

S&P CONTACT SIZE	STAMPED CONTACT PART NUMBERS		WIRE SIZE AWG (mm ²)	WIRE INSULATION O.D. RANGE	RECOMMENDED STRIP LENGTH INCH (mm)	MIN CONTACT RETENTION LBS (N)	REF CRIMP TENSILE LBS (N)	MAX RATED AMPS@125°C CONTINUOUS
	PN	SOCKET						
16	AT60-14-01**	AT62-14-01**	14-16 [2.0-1.0]	.100 - .150 [2.54 - 3.81]	0.150-0.200 [3.81-5.08]	25 [1111]	25 [1111]	13
16	AT60-16-01**	AT62-16-01**	16-18 [1.0-0.75]	.075 - .100 [1.90 - 2.54]	0.150-0.200 [3.81-5.08]	25 [1111]	25 [1111]	13
16	AT60-16-06**	AT62-16-06**	18-20 [0.75-0.50]	.055 - .095 [1.40 - 2.41]	0.150-0.200 [3.81-5.08]	25 [1111]	25-15 [111+67]	13

WIRE AWG	CONTACT RESISTANCE STRENGTH (LESS DROP THROUGH WIRE)			
	TEST CURRENT	MILLIVOLT DROP SOLID	MILLIVOLT DROP S&P	
14	18	60	100	
16	13	60	100	
18	10	60	100	
20	7.5	60	100	

CONTACT RESISTANCE STRENGTH (LESS DROP THROUGH WIRE)	MATERIAL SPECIFICATION AND PLATING ** CODES
<p>△ PIN: COPPER ALLOY</p> <p>△ SOCKET: COPPER ALLOY WITH STAINLESS STEEL SLEEVE</p> <p>△ SOLID MACHINED CONTACT PLATING OPTIONS: 31= GOLD* 141= NICKEL</p> <p>△ STAMPED CONTACT PLATING OPTIONS: 22= NICKEL 44= GOLD* 89= SELECTIVE GOLD*</p> <p>△ GOLD* PLATING IS AVAILABLE (RECOMMENDED) FOR ONLY (<5V) CIRCUIT APPLICATIONS</p> <p>△ MATERIALS AND PLATINGS ARE ROHS COMPLIANT</p>	

NOTES: UNLESS OTHERWISE SPECIFIED

- ALL DIMENSIONS ARE INCHES(MM).
- ALL FORCES ARE IN LBS(POUNDS) AND "N" (NEWTONS).
- CONTACT RETENTION TEST PULL RATE SHALL BE 1.0 INCH/2S. 4) PER MINUTE MAXIMUM. WIRE SIZE WILL AFFECT THE TRUE STRENGTH OF THE CRIMP.
- WIRE SIZES AND INSULATION RANGES ARE FOR REFERENCE ONLY. THE ACTUAL INSULATION RANGE DEPENDS ON CONNECTOR GROMMET SEALING SIZE.

SEE SPECIFICATIONS LISTED BELOW FOR INDIVIDUAL CRIMP INFORMATION:

SOLID CONTACTS	SIZE	*STAMPED* CONTACTS	SIZE
S2-15218	16	S2-15222	16
		S2-15221	16/20

- MAXIMUM RATED CURRENT IN CHART DEPENDS ON CONTACT SIZE. ACTUAL RATED CURRENT DEPENDS ON WIRE SIZE.
- CONTACT FACTORY FOR ALL AVAILABLE PLATING ON SPECIFIC CONTACTS.
- AMPHENOL SINE PERFORMANCE SPECIFICATIONS REQUIRE THE USE OF AMPHENOL SINE APPROVED TOOLING.

PART NUMBER		DESCRIPTION		ITEM
MATERIALS LIST				
QUANTITY	UNLESS OTHERWISE SPECIFIED	SIGNATURES	DATE	
	1) All dimensions are in inches.	DRAWN: POTER	4/5/09	
	2) Pl. SEE 50.03	ORDERED: KNOX	6/3/09	
	3) Pl. SEE 50.03	ENGINEER: BERNUM		
	4) Pl. SEE 50.03	APPROVAL: BERNUM	6/3/09	
MATERIAL SPECIFICATIONS:		CUSTOMER:		
NA				
PROCESS SPECIFICATIONS:	THE USE OF THIS PERFORMANCE SPECIFICATIONS, AND PERFORMANCE DATA, IS THE PROPERTY OF AMPHENOL CORP. ALL DIMENSIONS ARE SUBJECT TO NORMAL VARIATIONS AND ARE NOT TO BE USED FOR DIMENSIONS REFERENCED HEREON UNLESS OTHERWISE INDICATED HEREON UNLESS OTHERWISE INDICATED.			
NEXT ASSY:				
SIZE	SCALE	STAMPED AND FORMED / MACHINED	REVISION	
C	10X/4	S2-15217	A1	
SCALE	NONE	S2-15217	SHEET	1 of 1

SINE Systems Corporation

A Subsidiary of Amphenol Corporation
44724 Moley Drive
Clinton Township, MI 48036

GENERAL DATA, CONTACTS

DWG NO: S2-15217
REV: A1
DATE: 6/12/09

CONTACT DATA, GENERAL

FILE

4

3

2

1

A

B

C

D

4

3

2

1

Компания «Океан Электроники» предлагает заключение долгосрочных отношений при поставках импортных электронных компонентов на взаимовыгодных условиях!

Наши преимущества:

- Поставка оригинальных импортных электронных компонентов напрямую с производств Америки, Европы и Азии, а так же с крупнейших складов мира;
- Широкая линейка поставок активных и пассивных импортных электронных компонентов (более 30 млн. наименований);
- Поставка сложных, дефицитных, либо снятых с производства позиций;
- Оперативные сроки поставки под заказ (от 5 рабочих дней);
- Экспресс доставка в любую точку России;
- Помощь Конструкторского Отдела и консультации квалифицированных инженеров;
- Техническая поддержка проекта, помощь в подборе аналогов, поставка прототипов;
- Поставка электронных компонентов под контролем ВП;
- Система менеджмента качества сертифицирована по Международному стандарту ISO 9001;
- При необходимости вся продукция военного и аэрокосмического назначения проходит испытания и сертификацию в лаборатории (по согласованию с заказчиком);
- Поставка специализированных компонентов военного и аэрокосмического уровня качества (Xilinx, Altera, Analog Devices, Intersil, Interpoint, Microsemi, Actel, Aeroflex, Peregrine, VPT, Syfer, Eurofarad, Texas Instruments, MS Kennedy, Miteq, Cobham, E2V, MA-COM, Hittite, Mini-Circuits, General Dynamics и др.);

Компания «Океан Электроники» является официальным дистрибьютором и эксклюзивным представителем в России одного из крупнейших производителей разъемов военного и аэрокосмического назначения «JONHON», а так же официальным дистрибьютором и эксклюзивным представителем в России производителя высокотехнологичных и надежных решений для передачи СВЧ сигналов «FORSTAR».



JONHON

«JONHON» (основан в 1970 г.)

Разъемы специального, военного и аэрокосмического назначения:

(Применяются в военной, авиационной, аэрокосмической, морской, железнодорожной, горно- и нефтедобывающей отраслях промышленности)

«FORSTAR» (основан в 1998 г.)

ВЧ соединители, коаксиальные кабели, кабельные сборки и микроволновые компоненты:

(Применяются в телекоммуникациях гражданского и специального назначения, в средствах связи, РЛС, а так же военной, авиационной и аэрокосмической отраслях промышленности).



Телефон: 8 (812) 309-75-97 (многоканальный)

Факс: 8 (812) 320-03-32

Электронная почта: ocean@oceanchips.ru

Web: <http://oceanchips.ru/>

Адрес: 198099, г. Санкт-Петербург, ул. Калинина, д. 2, корп. 4, лит. А