



MODEL H20 | INCREMENTAL ENCODER

Product Description

The H20 is an extremely rugged encoder designed to economically fill the resolution range up to 4096 cycles per turn. This compact unit features a shock resistant disc, heavy duty bearings, and EMI shielding. The H20 conforms to NEMA 4 and 13 requirements. The H20 is also available in a hub shaft style with a flexmount for easy mounting directly to small motors. Typical applications of the H20 include machine control, process control, agricultural machinery, textile equipment, robotics, food processing, and metering.



SPECIFICATIONS

Mechanical Specifications

| | |
|--------------------------------|--|
| Shaft Diameter | 1/4" thru 3/8" and metric versions. Hollow shaft, hub shaft or thru-shaft versions available. |
| Flats On Shaft | 0.75" long X 0.03" deep |
| Shaft Loading | Up to 40 lbs. axial and 40 lbs. radial |
| Shaft Runout | .001 T.I.R. maximum |
| Starting Torque at 25°C | 1.0 in-oz maximum without shaft seal; 2.5 in-oz maximum with shaft seal; 4.0 in-oz thru-shaft |
| Bearings | 52100 bearing steel |
| Shaft Material | 303 stainless steel |
| Bearing Housing | Die cast aluminum with iridite finish; stainless steel (special feature) |
| Cover | Die cast aluminum with protective finish (For MS or CS terminations), otherwise drawn aluminum with protective finish; stainless-steel (special feature) |
| Bearing Life | 1.5 X 10 ⁹ revs at rated load (10,000 hrs at 2500 RPM) |
| Maximum RPM | 8,000 RPM (see frequency response, below) |
| Moment of Inertia | 2.0 X 10 ⁻⁴ oz-in-sec ² |
| Weight | 9 oz. typical |

Electrical Specifications

| | |
|------------------------------|--|
| Code | Incremental |
| Output Format | 2 channels in quadrature, 1/2 cycle index gated with negative B channel as standard. Ungated index when OC is specified as the output device |
| Cycles per Shaft Turn | 1 to 4096 (see table A) For resolutions above 1024 contact BEI for interpolation options |
| Supply Voltage | 5 to 28 VDC available |
| Current Requirements | 100 mA typical + output load, 250 mA (max) |
| Voltage/Output | (see note 5) 28V/V: Line Driver, 5–28 VDC in, $V_{out} = V_{in}$ 28V/5: Line Driver, 5–28 VDC in, $V_{out} = 5$ VDC 28V/OC: Open Collector, 5 – 28 VDC in, OC_{out} |
| Protection Level | Reverse, overvoltage and output short circuit (see note 5) |
| Frequency Response | 100 KHz (up to 1024 cpt; 400KHz with interpolation option (see note 7)) |
| Output Terminations | see Table 1, following pages |

Note: Contact factory for other electrical options

Environmental Specifications

| | |
|-------------------------|---|
| Enclosure Rating | NEMA 4 & 13 (IP66) when ordered with shaft seal (on units with an MS connector) and a cable gland (on units with cable termination) |
| Temperature | Operating, 0° to 70°C; extended temperature testing available (see note 8); Storage, -25° to 90°C unless extended temperature option called out |
| Shock | 50 g's at 11msec duration |
| Vibration | 5 to 2000 Hz @ 20 g's |
| Humidity | 98% RH without consideration |

Notes and Tables: All notes and tables referred to in the text can be found in the pages that follow.

Housing Type

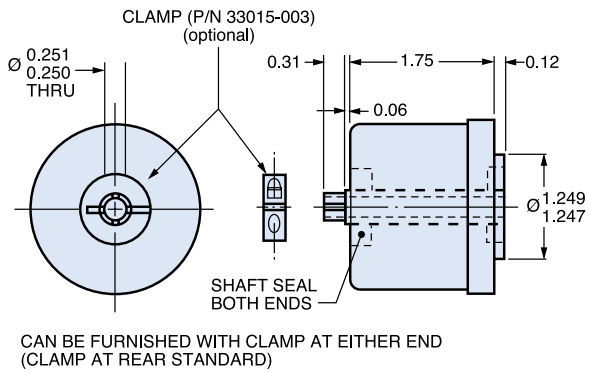


Optional Face Mounts

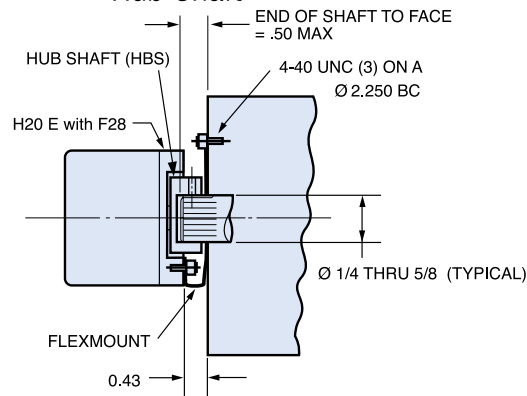


Special Shaft Options

Hollow Shaft



Hub Shaft



Thru-Shaft



Pilot Options



(H20DA or H20EA)

(H20DB or H20EB)

Table 1 —
Incremental Output Terminations

The connector style will determine pinouts. For example, an encoder with ABC channels and an M18 connector uses the table to the right.

| M14 Connector | M16 Connector | Channels Designed in Model No. | | M18 Connector | |
|---------------|---------------|--------------------------------|-----------|---------------|-----------|
| PIN | PIN | ABZ | ABC | PIN | Function |
| E | A | A | A | A | A |
| D | B | B | B | B | B |
| C | C | Z | \bar{A} | C | Z |
| B | D | +V (Supply Voltage) | | D | +V |
| F | E | — | \bar{B} | E | — |
| A | F | 0V (Circuit Common) | | F | 0V |
| | G | Case Ground (CG) (Except H20) | | G | — |
| | | | | H | \bar{A} |
| | | | | I | \bar{B} |
| | | | | J | \bar{Z} |

| Wire Color (22AWG) | DA 15P Connector | Channels Designed in Model No. | | |
|--------------------|------------------|------------------------------------|-----------|-----------|
| | | ABZ | ABC | ABZC |
| YEL | 13 | A | A | A |
| BLUE | 14 | B | B | B |
| ORN | 15 | Z | — | Z |
| W-YEL | 10 | — | \bar{A} | \bar{A} |
| W-BLU | 11 | — | \bar{B} | \bar{B} |
| W-ORN | 12 | — | — | \bar{Z} |
| RED | 6 | +V (Supply Voltage) | | |
| BLK | 1 | 0V (Circuit Common) | | |
| GRN | 9 | Case Ground (CG) (Except H20) | | |
| WHITE | | Shield Drain (Shielded Cable Only) | | |

Table A —
H20 Disc Resolutions

1*, 2, 3, 5, **6**, 8, 10, 11, 12, 24, 25, 30, 32, 40, 50, 60, 64, 75, 80, 95, 100, 105, 115, 120, 125, 150, 192, 200, 240, 250, 256, 300, 336, 360, 400, 500, 510, 512, 600, 625, 635, 720, 785, 1000, 1024, 1200**

Resolutions shown in **blue** are not available as Express Encoders.

* No index. For interpolation please specify the multiplied output (up to 4,096 for H20) in the model number, i.e. 4,096-T4.

** Consult factory for this resolution

 **FIGURE 1**
Output Waveform





ORDERING OPTIONS

Items highlighted in blue are standard Express Encoders and ship in one to three days.

| | | | | | | | | | | | | | | | | |
|--|----------|------------|----------|----------|-----------|-----------|-----------|-----------|------------|------------|----------|--------------|----------|------------|-----------|----------|
| Encoder | X | H20 | D | B | 37 | TS | F5 | SS | 500 | ABZ | C | 28V/V | S | M18 | EX | S |
| X: Express Encoder | | | | | | | | | | | | | | | | |
| Type | | | | | | | | | | | | | | | | |
| H: Heavy Duty 20: 2.00" DIA. | | | | | | | | | | | | | | | | |
| Housing Configuration | | | | | | | | | | | | | | | | |
| D: Square Flange E: 2.00 Dia. See Dimensions | | | | | | | | | | | | | | | | |
| Pilot Configuration | | | | | | | | | | | | | | | | |
| A: 1.181 (30mm) Female (No shaft seal available) B: 1.25 | | | | | | | | | | | | | | | | |
| Shaft Diameter | | | | | | | | | | | | | | | | |
| 25: 0.2497, 0.2495 37: 0.3747, 0.3745 39: 0.3935, 0.3932 | | | | | | | | | | | | | | | | |
| Shaft Type | | | | | | | | | | | | | | | | |
| TS: Thru Shaft HS: Hollow Shaft HBS: Hub Shaft Blank: Single Ended Shaft (Standard) | | | | | | | | | | | | | | | | |
| Face Mount | | | | | | | | | | | | | | | | |
| F5, F12, F28 Blank: None | | | | | | | | | | | | | | | | |
| | | | | | | | | | | | | | | | | |
| Shaft Seal | | | | | | | | | | | | | | | | |
| SS: Shaft Seal (Must use Pilot B, except HBS unites can take SS with Pilot A) (See Note 2) | | | | | | | | | | | | | | | | |
| Cycles Per Turn | | | | | | | | | | | | | | | | |
| (Enter Cycles) (See Table A) | | | | | | | | | | | | | | | | |
| No. of Channels | | | | | | | | | | | | | | | | |
| A: Single Channel AB: Dual Quad. Ch. ABZ: Dual with Index AZ: Single with Index (See Note 3) | | | | | | | | | | | | | | | | |
| Compliments | | | | | | | | | | | | | | | | |
| C: Complimentary Outputs Blank: None | | | | | | | | | | | | | | | | |
| Voltage / Output | | | | | | | | | | | | | | | | |
| 28V/V: 5-28V _{in/out} 28V/5: 5-28V _{in} /5V _{out} 28V/OC: 5-28V _{in} /OC _{out} | | | | | | | | | | | | | | | | |
| Output Termination Location | | | | | | | | | | | | | | | | |
| E: End S: Side | | | | | | | | | | | | | | | | |
| Output Termination | | | | | | | | | | | | | | | | |
| M14: MS3102R14S-6P M16: MS3102R16S-1P M18: MS3102R18S-1P C: Pigtail Cable CS: Cable with Seal (Side or End Term) (See Table 1 & Note 9) Add cable length (i.e., C18=18" cable) | | | | | | | | | | | | | | | | |
| Hazardous Area Ratings | | | | | | | | | | | | | | | | |
| Blank: None EX: Intrinsically Scale NI: Non-Incendive Contact Factory for Voltage Options | | | | | | | | | | | | | | | | |
| Special Features | | | | | | | | | | | | | | | | |
| S: Special features specified on purchase order. (Consult factory) (See Note 6) | | | | | | | | | | | | | | | | |

1. Mounting is usually done either using the D-style square flange mount, E- or G-style servo mounts, or one of the standard face mounts, F1 for example. Consult factory for additional face mount options.
2. The shaft seal is recommended in virtually all installations. The most common exceptions are applications requiring a very low starting torque or those requiring operation at both high temperature and high speed.
3. Non-standard index widths and multiple indices are available by special order. Consult factory.
4. Complementary outputs are recommended for use with line driver type (source/sink) outputs. When used with differential receivers, this combination provides a high degree of noise immunity.
5. **Output IC's:** Output IC's are available as either Line Driver (LD) or NPN Open Collector (OC) types. Open Collectors require pull-up resistors, resulting in higher output source impedance (sink impedance is similar to that of line drivers). In general, use of a Line Driver style output is recommended. Line Drivers source or sink current and their lower impedance mean better noise immunity and faster switching times. **Warning:** Do not connect any line driver outputs directly to circuit common/OV, which may damage the driver. Unused outputs should be isolated and left floating. Our applications specialists would be pleased to discuss your system requirements and the compatibility of your receiving electronics with Line Driver type outputs.
28V/V: Multi-voltage Line Driver (7272*): 100 mA source/sink. Input voltage 5 to 28 VDC +/- 5% standard (Note: $V_{out} = V_{in}$). This driver is TTL compatible when used with 5 volt supply. Supply lines are protected against overvoltage to 60 volts and reverse voltage. Outputs are short circuit protected for one minute. Supply current is 120 mA typical (plus load current). This is the recommended replacement for 3904R and 7406R open collector outputs with internal pullup resistors. It is also a direct replacement for any 4469, 88C30, 8830 or 26LS31 line driver
28V/5: Multi-voltage Line Driver (7272*): 100 mA source/sink. Input voltage 5 to 28 VDC +/- 5% standard, internally regulated with 5V (TTL compatible) logic out. Supply lines are protected against overvoltage to 60 volts and reverse voltage. Outputs are short circuit protected for one minute. Supply current is 90 mA typical (plus load current).
15V/V: Multi-voltage Line Driver (4469*): 100 mA source/sink. Input voltage 5 to 15 VDC +/- 5% standard (Note: $V_{out} = V_{in}$). TTL compatible when used with 5 volt supply. Supply lines are protected against overvoltage to 60 volts and reverse voltage. Outputs are short circuit protected for one minute. Supply current is 90 mA typical (plus load current). This is a direct replacement for the 4469 Line Driver.
28V/OC: NPN Open Collector (3904*, 7273*). Current sink of 80 mA max. Current sourced by external pull-up resistor. Output can be pulled up to voltage other than supply voltage (30 V max). Input voltage 5 to 28 VDC +/- 5% standard. Supply current is 120 mA typical. This replaces prior IC's with designations of 3904, 7406, 3302, 681 and 689.
5V/OCR, 15V/OCR, 24V/OCR: Open Collector (3904R*, 7406R*, 7273R*): Current sink of 70 mA max. Includes internal pull-ups sized at approximately 100 ohms/volt. Max current source is 10 mA. Supply current is 100 mA typical, 120 mA with internal pull-ups. 5V/V, 5V/OC, 5V/OCR and 9V/OC can be intrinsically safe line driver and open collector outputs available on certain model variations. They are intrinsically safe only when installed per the control drawing noted on the certification label affixed to the encoder body.
6. Special -S at the end of the model number is used to define a variety of non-standard features such as special shaft lengths, voltage options, or special testing. Please consult the factory to discuss your special requirements.
7. Higher frequency response may be available. Please consult with the factory.
8. Extended temperature ratings are available in the following ranges: -40 to 70°C, -40 to 85°C, -20 to 105°C and -40 to 105°C depending on the particular model. Some models can operate down to -55°C. Extended temperature ranges can affect other performance factors. Consult with factory for more specific information.
9. Mating straight plug receptacles may be ordered from the factory:

For M12 use MS3116F12-10S, For M14 use MS3106F14S-6S
For M14/19 use MS3116J14-19S, For M16 use MS3106F16S-1S
For M18 use MS3106F18-1S, For M20 use MS3106F20-29S

* Products manufactured prior to April 2007 used the line driver IC number instead of voltage output in model number.



AGENCY APPROVALS & AVAILABLE CERTIFICATIONS



| Agency | File Number |
|--------------|--|
| CE | EN 55011 and EN 61000-6-2 |
| UL | U.S. Standards Class, Group A,B,C, & D, Class II Group E, F, & G |
| cUL | Canadian Standards Class I, Zone 0, Group IIC |
| IEC | UL 12.0035X UL 12.0082X |
| ATEX | CENELEC II 1 G Ex ia IIB/IIC T4 II 3 G Ex nA IIB T3 Gc II 3 G Ex nA IIB T4 Gc |
| cRUus | Class I, Div 2, Group A,B,C & D; Class II, Div 2, Group F & G |

Consult factory for more details.

Revised 02/12/18

Sensata Technologies, Inc. ("Sensata") data sheets are solely intended to assist designers ("Buyers") who are developing systems that incorporate Sensata products (also referred to herein as "components"). Buyer understands and agrees that Buyer remains responsible for using its independent analysis, evaluation and judgment in designing Buyer's systems and products. Sensata data sheets have been created using standard laboratory conditions and engineering practices. Sensata has not conducted any testing other than that specifically described in the published documentation for a particular data sheet. Sensata may make corrections, enhancements, improvements and other changes to its data sheets or components without notice.

Buyers are authorized to use Sensata data sheets with the Sensata component(s) identified in each particular data sheet. HOWEVER, NO OTHER LICENSE, EXPRESS OR IMPLIED, BY ESTOPPEL OR OTHERWISE TO ANY OTHER SENSATA INTELLECTUAL PROPERTY RIGHT, AND NO LICENSE TO ANY THIRD PARTY TECHNOLOGY OR INTELLECTUAL PROPERTY RIGHT, IS GRANTED HEREIN. SENSATA DATA SHEETS ARE PROVIDED "AS IS". SENSATA MAKES NO WARRANTIES OR REPRESENTATIONS WITH REGARD TO THE DATA SHEETS OR USE OF THE DATA SHEETS, EXPRESS, IMPLIED OR STATUTORY, INCLUDING ACCURACY OR COMPLETENESS. SENSATA DISCLAIMS ANY WARRANTY OF TITLE AND ANY IMPLIED WARRANTIES OF MERCHANTABILITY, FITNESS FOR A PARTICULAR PURPOSE, QUIET ENJOYMENT, QUIET POSSESSION, AND NON-INFRINGEMENT OF ANY THIRD PARTY INTELLECTUAL PROPERTY RIGHTS WITH REGARD TO SENSATA DATA SHEETS OR USE THEREOF.

All products are sold subject to Sensata's terms and conditions of sale supplied at www.sensata.com SENSATA ASSUMES NO LIABILITY FOR APPLICATIONS ASSISTANCE OR THE DESIGN OF BUYERS' PRODUCTS. BUYER ACKNOWLEDGES AND AGREES THAT IT IS SOLELY RESPONSIBLE FOR COMPLIANCE WITH ALL LEGAL, REGULATORY AND SAFETY-RELATED REQUIREMENTS CONCERNING ITS PRODUCTS, AND ANY USE OF SENSATA COMPONENTS IN ITS APPLICATIONS, NOTWITHSTANDING ANY APPLICATIONS-RELATED INFORMATION OR SUPPORT THAT MAY BE PROVIDED BY SENSATA.

Mailing Address: Sensata Technologies, Inc., 529 Pleasant Street, Attleboro, MA 02703, USA.

CONTACT US

Americas

+1 (800) 350 2727 – Option 1
sales.beisensors@sensata.com
Europe, Middle East & Africa
+33 (3) 88 20 8080
position-info.eu@sensata.com

Asia Pacific

sales.isasia@list.sensata.com
China +86 (21) 2306 1500
Japan +81 (45) 277 7117
Korea +82 (31) 601 2004
India +91 (80) 67920890
Rest of Asia +886 (2) 27602006
ext 2808

Компания «Океан Электроники» предлагает заключение долгосрочных отношений при поставках импортных электронных компонентов на взаимовыгодных условиях!

Наши преимущества:

- Поставка оригинальных импортных электронных компонентов напрямую с производств Америки, Европы и Азии, а так же с крупнейших складов мира;
- Широкая линейка поставок активных и пассивных импортных электронных компонентов (более 30 млн. наименований);
- Поставка сложных, дефицитных, либо снятых с производства позиций;
- Оперативные сроки поставки под заказ (от 5 рабочих дней);
- Экспресс доставка в любую точку России;
- Помощь Конструкторского Отдела и консультации квалифицированных инженеров;
- Техническая поддержка проекта, помощь в подборе аналогов, поставка прототипов;
- Поставка электронных компонентов под контролем ВП;
- Система менеджмента качества сертифицирована по Международному стандарту ISO 9001;
- При необходимости вся продукция военного и аэрокосмического назначения проходит испытания и сертификацию в лаборатории (по согласованию с заказчиком);
- Поставка специализированных компонентов военного и аэрокосмического уровня качества (Xilinx, Altera, Analog Devices, Intersil, Interpoint, Microsemi, Actel, Aeroflex, Peregrine, VPT, Syfer, Eurofarad, Texas Instruments, MS Kennedy, Miteq, Cobham, E2V, MA-COM, Hittite, Mini-Circuits, General Dynamics и др.);

Компания «Океан Электроники» является официальным дистрибьютором и эксклюзивным представителем в России одного из крупнейших производителей разъемов военного и аэрокосмического назначения «JONHON», а так же официальным дистрибьютором и эксклюзивным представителем в России производителя высокотехнологичных и надежных решений для передачи СВЧ сигналов «FORSTAR».



JONHON

«JONHON» (основан в 1970 г.)

Разъемы специального, военного и аэрокосмического назначения:

(Применяются в военной, авиационной, аэрокосмической, морской, железнодорожной, горно- и нефтедобывающей отраслях промышленности)

«FORSTAR» (основан в 1998 г.)

ВЧ соединители, коаксиальные кабели, кабельные сборки и микроволновые компоненты:

(Применяются в телекоммуникациях гражданского и специального назначения, в средствах связи, РЛС, а так же военной, авиационной и аэрокосмической отраслях промышленности).



Телефон: 8 (812) 309-75-97 (многоканальный)

Факс: 8 (812) 320-03-32

Электронная почта: ocean@oceanchips.ru

Web: <http://oceanchips.ru/>

Адрес: 198099, г. Санкт-Петербург, ул. Калинина, д. 2, корп. 4, лит. А