

**PLEASE CHECK WWW.MOLEX.COM FOR LATEST PART INFORMATION**

**Part Number:** [0879190101](#)  
**Status:** **Active**  
**Description:** 1.00mm (.039") Pitch DDR-2 DIMM Socket, 25 Degree Reverse Angle, Through Hole, 240 Circuits, 1.8V Voltage Key, 2.79mm (.110") Tail Length, 0.38µm (15µ") Gold (Au) Plating, Lead-free

**Documents:**

[3D Model](#) [Product Specification PS-87919-006 \(PDF\)](#)  
[Drawing \(PDF\)](#) [RoHS Certificate of Compliance \(PDF\)](#)

**General**

Product Family	Memory Module Sockets
Series	<a href="#">87919</a>
Comments	<LI>Latches in Off-White Color
Component Type	Socket
JEDEC Outline	MO-237
Product Name	DDR2 DIMM

**Physical**

Circuits (Loaded)	240
Color - Resin	Black, Natural
Durability (mating cycles max)	25
Entry Angle	25° Angle
Keying to Mating Part	Yes
Material - Plating Mating	Gold
Material - Plating Termination	Tin
Material - Resin	High Temperature Thermoplastic
PC Tail Length (in)	0.110 In
PC Tail Length (mm)	2.79 mm
PCB Locator	Yes
PCB Retention	Yes
PCB Thickness Recommended (in)	0.062 In
PCB Thickness Recommended (mm)	1.60 mm
Packaging Type	Tray
Pitch - Mating Interface (in)	0.039 In
Pitch - Mating Interface (mm)	1.00 mm
Plating min: Mating (µin)	15
Plating min: Mating (µm)	0.38
Plating min: Termination (µin)	100
Plating min: Termination (µm)	2.54
Temperature Range - Operating	-55°C to +85°C
Termination Interface: Style	Through Hole

**Electrical**

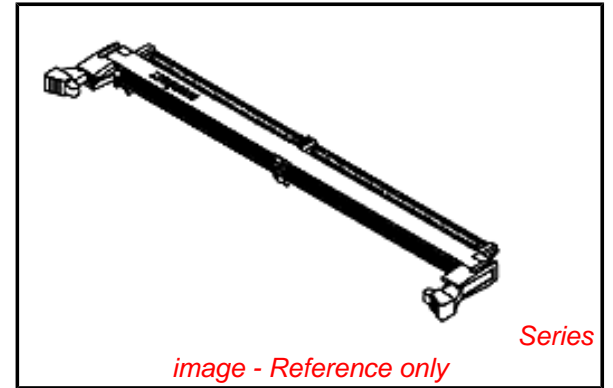
Current - Maximum per Contact	0.5A
Voltage - Maximum	30V
Voltage Key	1.8V

**Solder Process Data**

Duration at Max. Process Temperature (seconds)	10
Lead-free Process Capability	SMC & Wave Capable (TH only)
Max. Cycles at Max. Process Temperature	2
Process Temperature max. C	260

**Material Info**

**Reference - Drawing Numbers**



**EU RoHS**

**ELV and RoHS  
Compliant**  
**REACH SVHC  
Contains SVHC: No  
Halogen-Free  
Status**

**China RoHS**



**Need more information on product  
environmental compliance?**

Email [productcompliance@molex.com](mailto:productcompliance@molex.com)  
 For a multiple part number RoHS Certificate of Compliance, [click here](#)

Please visit the [Contact Us](#) section for any non-product compliance questions.

**Search Parts in this Series**

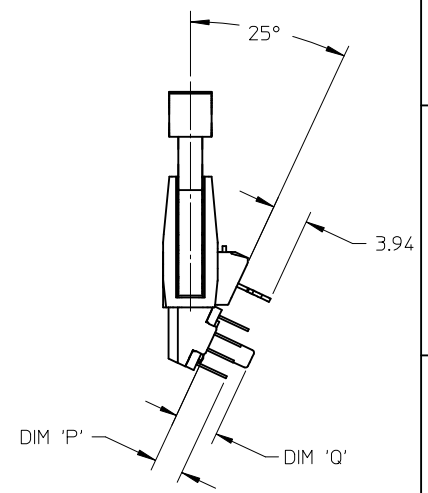
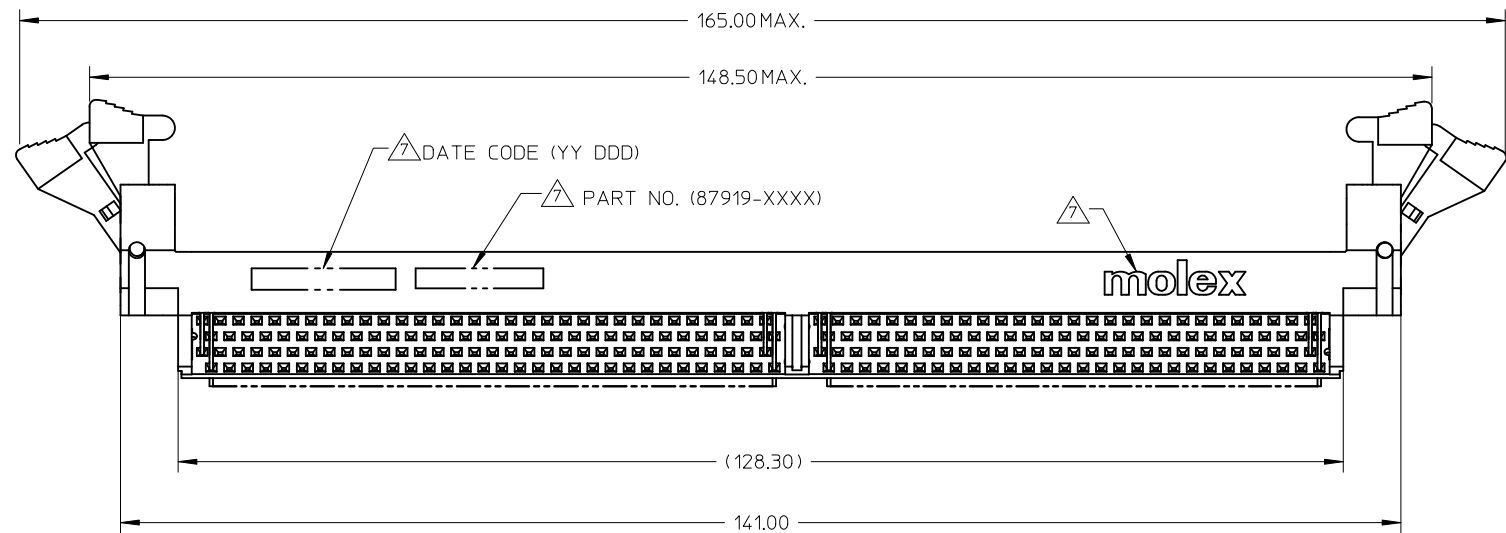
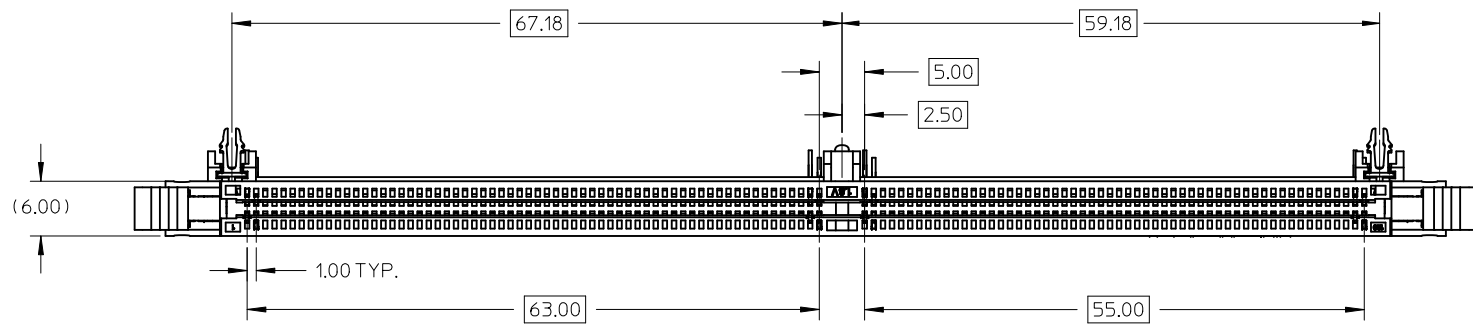
[87919Series](#)

**Mates With**

JEDEC standard 1.27mm modules

This document was generated on 04/13/2010

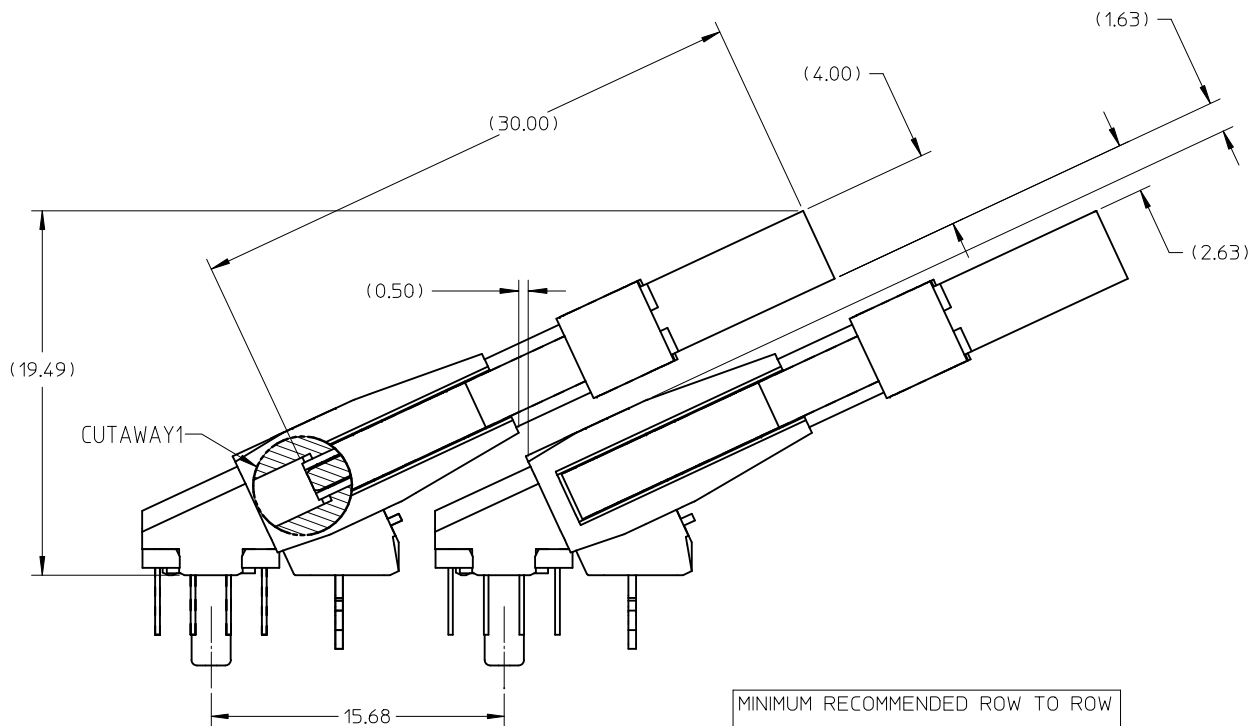
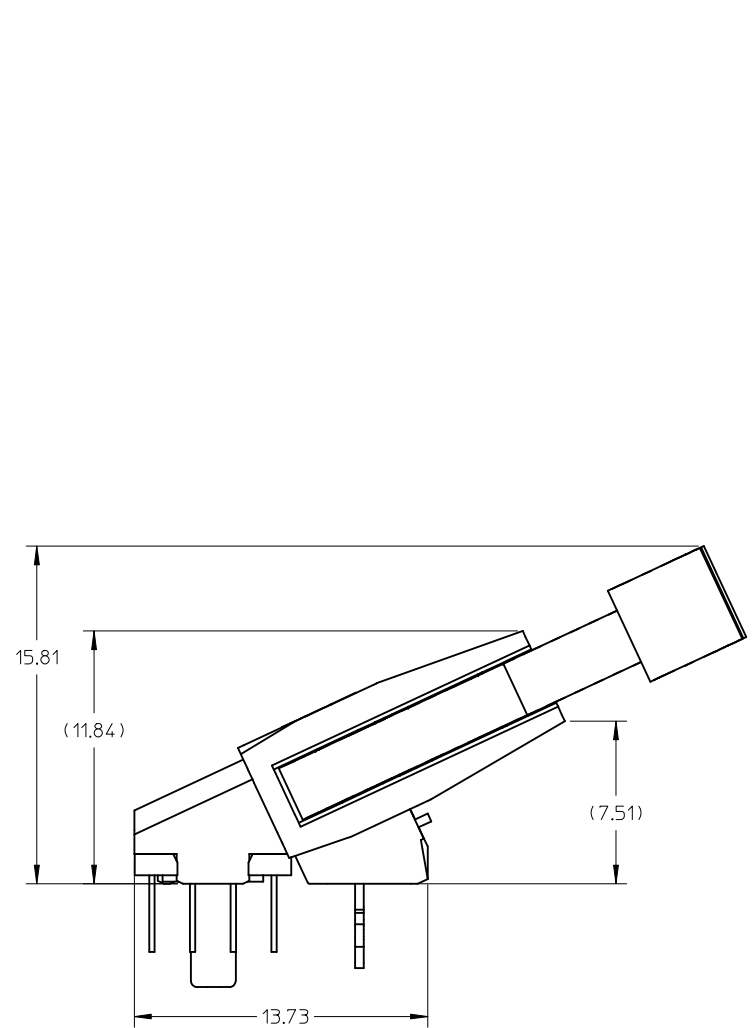
**PLEASE CHECK [WWW.MOLEX.COM](http://WWW.MOLEX.COM) FOR LATEST PART INFORMATION**



- NOTES:
- MATERIAL : HOUSING & BASEPLATE.
    - LCP, GLASS FILLED, UL94-V0, BLACK.
    - LATCH.
    - HIGH TEMP. NYLON, GLASS FILLED, UL94-V0, NATURAL (OFF WHITE).
    - TERMINALS & FORKLOCK - COPPER ALLOY.
  - PLATING : CONTACT AREA - SEE TABLE ON SHEET 5.  
SOLDERTAIL - SEE TABLE ON SHEET 5.
  - CARD SLOT ACCEPTS 1.27+/-0.10MM MODULE THICKNESS (MEASURED OVER PC PADS).
  - REFER TO PRODUCT SPECIFICATION, PS-87919-001 FOR PERFORMANCE SPECIFICATION.
  - RECOMMENDED MODULE CARD LAYOUT SHALL BE AS PER JEDEC MO-237.
  - PRODUCT SHALL BE PACKED IN TRAY. PLS REFER TO SHEET 3.

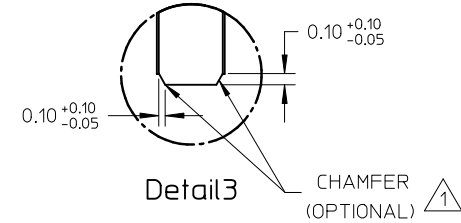
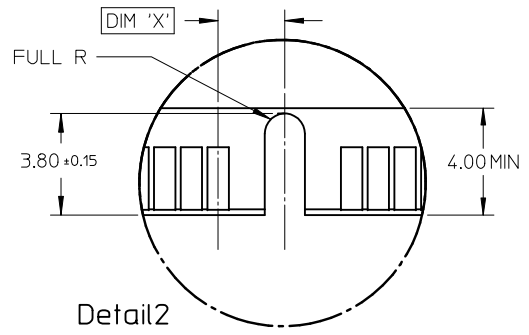
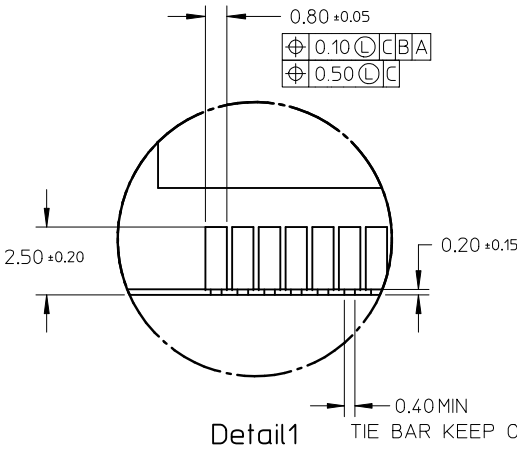
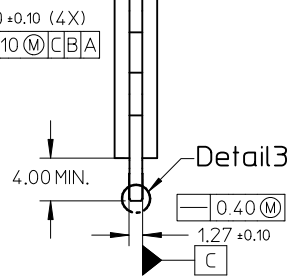
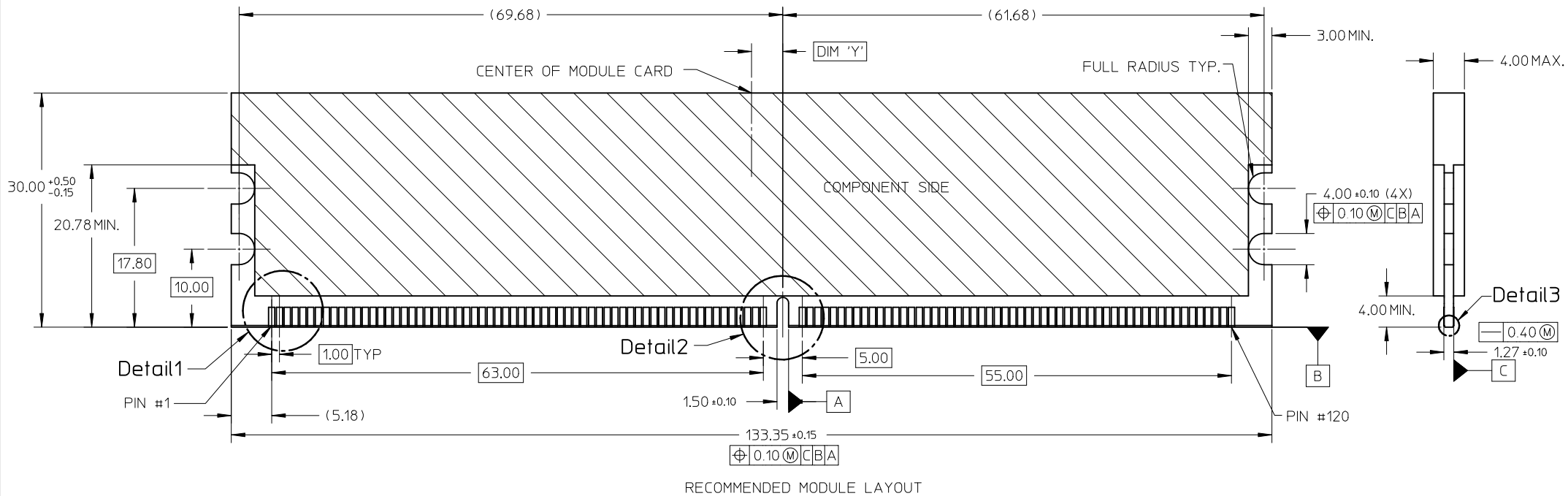
- MOLEX LOGO, DATE & PART NUMBER INDICATED ON HOUSING.

ADDED OPTION EC NO: S2010-0393 DRWN:LCYH CH'KD:CGTAN APPR:SHLENI 2009/11/16 2009/11/16 2009/11/17	DESCRIPTION REV A7	QUALITY SYMBOLS $F_A=0$ $F_G=0$ $F_P=0$	GENERAL TOLERANCES (UNLESS SPECIFIED)		DIMENSION STYLE <b>MM ONLY</b>		SCALE NTS	DESIGN UNITS METRIC	THIRD ANGLE PROJECTION		
			mm	INCH	DRAWN BY	DATE	TITLE <b>DDR2 DIMM, 1.00MM PITCH          240 CKTS, 25 DEG.          REVERSE ANGLE</b>				
		4 PLACES	± ---	± ---	JTAN	2004/05/26					
		3 PLACES	± ---	± ---	CHECKED BY	DATE	MOLEX INCORPORATED				
2 PLACES	± 0.25	± ---	MLONG	2004/06/11							
1 PLACE	± ---	± ---	APPROVED BY	DATE	MATERIAL NO. <b>SEE TABLE</b>		DOCUMENT NO. <b>SD-87919-001</b>		SHEET NO. <b>1 OF 6</b>		
DRAFT WHERE APPLICABLE MUST REMAIN WITHIN DIMENSIONS			ANGULAR ± 5 °		SIZE <b>A3</b>		THIS DRAWING CONTAINS INFORMATION THAT IS PROPRIETARY TO MOLEX INCORPORATED AND SHOULD NOT BE USED WITHOUT WRITTEN PERMISSION				



MINIMUM RECOMMENDED ROW TO ROW SPACING WHEN USING 4.00MM THICK MODULE.

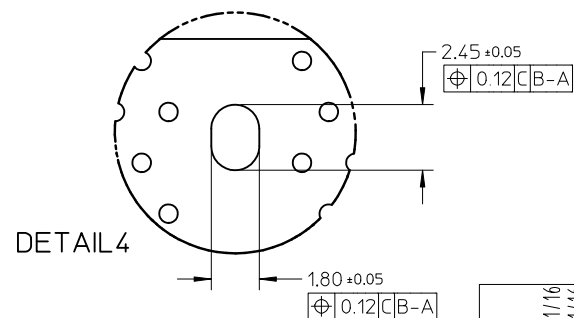
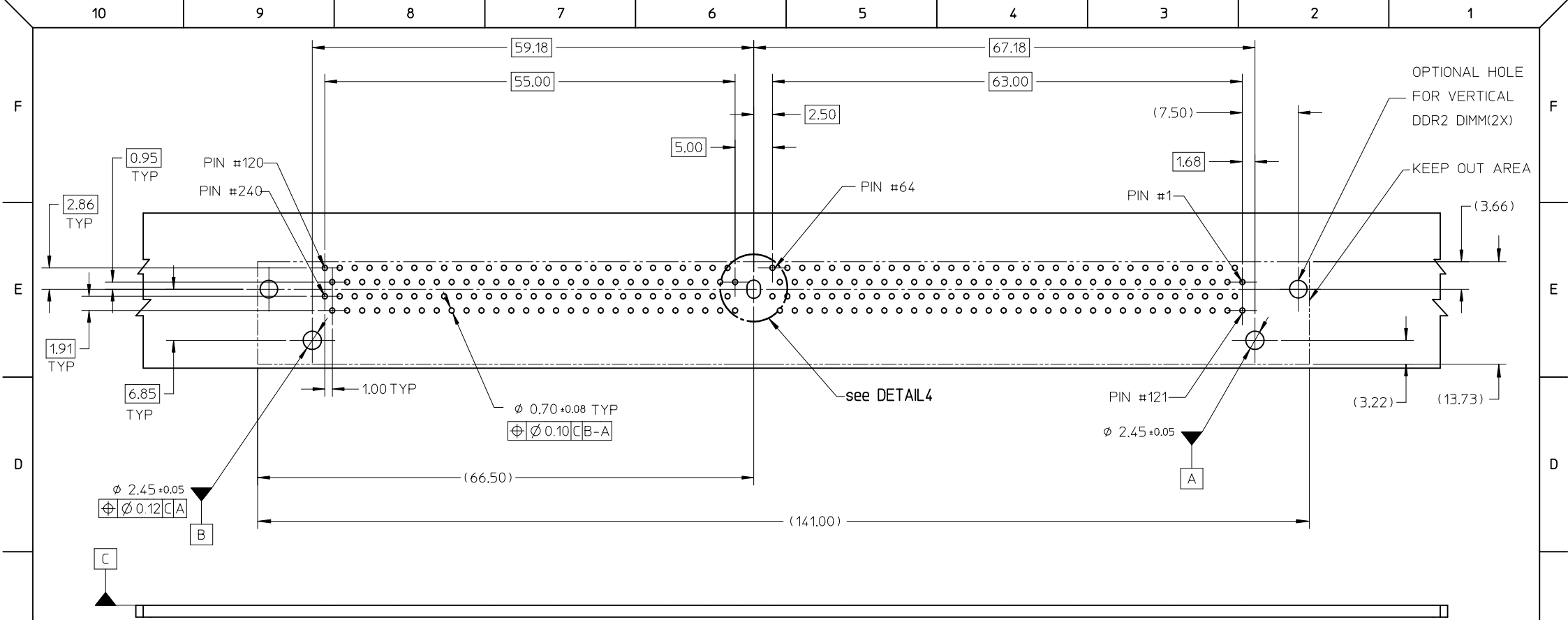
ADDED OPTION EC NO: S2010-0393 DRWN:CCTEH 2009/11/16 CHKD:CGTAN 2009/11/16 APPR:SHLENI 2009/11/17	QUALITY SYMBOLS $F_A=0$ $F_E=0$ $F_P=0$	GENERAL TOLERANCES (UNLESS SPECIFIED)		DIMENSION STYLE MM ONLY		SCALE NTS	DESIGN UNITS METRIC	THIRD ANGLE PROJECTION		
			mm	INCH	DRAWN BY JTAN	DATE 2004/05/26	TITLE DDR2 DIMM, 1.00MM PITCH 240 CKTS, 25 DEG. REVERSE ANGLE			
		4 PLACES	± ---	± ---	CHECKED BY MLONG	DATE 2004/06/11	MOLEX INCORPORATED			
		3 PLACES	± ---	± ---	APPROVED BY GGLLEE	DATE 2004/06/11	MATERIAL NO. SEE TABLE		DOCUMENT NO. SD-87919-001	SHEET NO. 2 OF 6
			1 PLACE	± ---	± ---	DRAFT WHERE APPLICABLE MUST REMAIN WITHIN DIMENSIONS				
			ANGULAR ± 5 °		THIS DRAWING CONTAINS INFORMATION THAT IS PROPRIETARY TO MOLEX INCORPORATED AND SHOULD NOT BE USED WITHOUT WRITTEN PERMISSION					



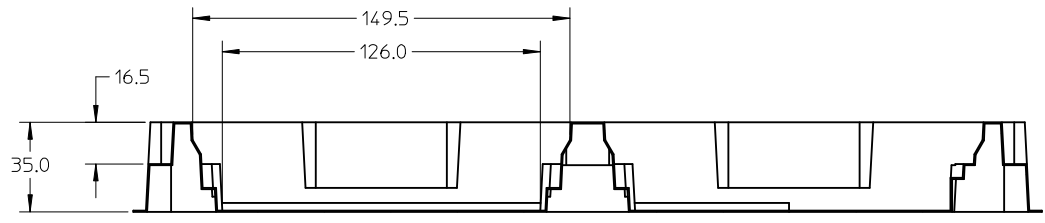
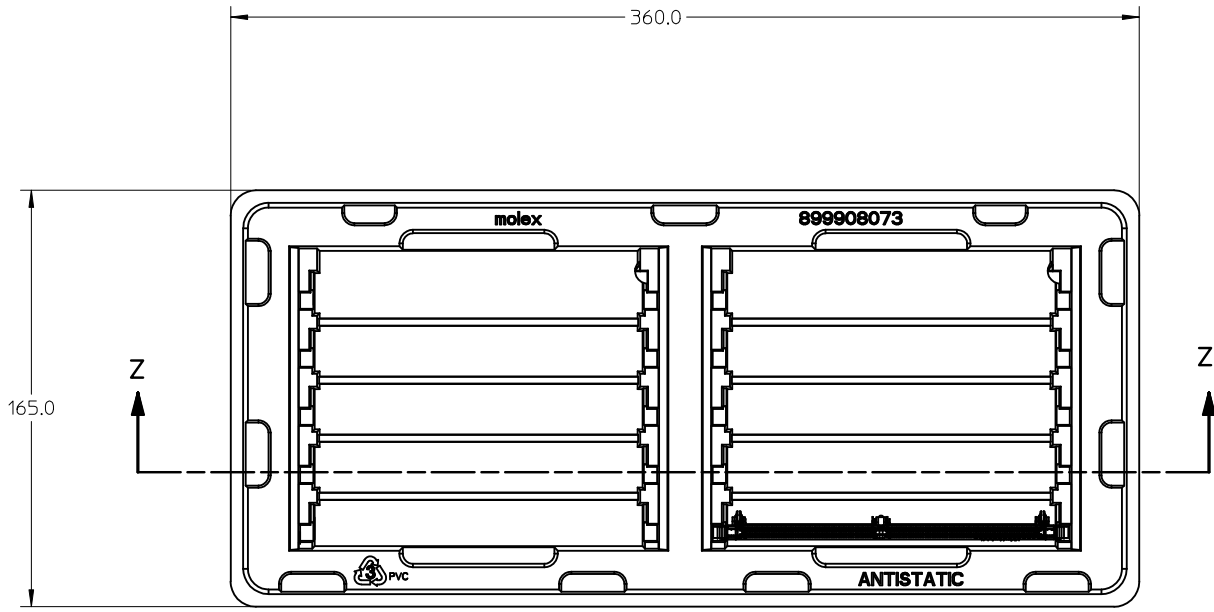
KEY LOCATION	VOLTAGE	DIM 'X'	DIM 'Y'
CENTER	1.8V	2.50	4.00

NOTES :  
 1 MODULE CARD USED IN PRODUCT TESTING ARE CHAMFERED.

ADDED OPTION EC NO: S2010-0393 DRWN: CCTH 2009/11/16 CHKD: CGTAN 2009/11/16 APPR: SILENI 2009/11/17	QUALITY SYMBOLS $F_A=0$ $F_C=0$ $F_P=0$	GENERAL TOLERANCES (UNLESS SPECIFIED)		DIMENSION STYLE <b>MM ONLY</b>		SCALE NTS	DESIGN UNITS METRIC	THIRD ANGLE PROJECTION		
		4 PLACES	± ---	± ---	DRAWN BY	DATE	TITLE <b>DDR2 DIMM, 1.00MM PITCH          240 CKTS, 25 DEG.          REVERSE ANGLE</b>			
		3 PLACES	± ---	± ---	JTAN	2004/05/26				
		2 PLACES	± 0.25	± ---	CHECKED BY	DATE	MOLEX INCORPORATED			
1 PLACE	± ---	± ---	MLONG	2004/06/11						
DRAFT WHERE APPLICABLE MUST REMAIN WITHIN DIMENSIONS		ANGULAR ± 5 °		APPROVED BY GGLEE		DATE 2004/06/11	MOLEX INCORPORATED		SHEET NO. 3 OF 6	
MATERIAL NO. <b>SEE TABLE</b>		DOCUMENT NO. <b>SD-87919-001</b>		THIS DRAWING CONTAINS INFORMATION THAT IS PROPRIETARY TO MOLEX INCORPORATED AND SHOULD NOT BE USED WITHOUT WRITTEN PERMISSION						



ADDED OPTION EC NO: S2010-0393 DRWN: CCTEH CH'KD: CGTAN APPR: SLENI 2009/11/16 2009/11/16 2009/11/17	DESCRIPTION REV	QUALITY SYMBOLS $F_A = 0$ $F_C = 0$ $F_B = 0$	GENERAL TOLERANCES (UNLESS SPECIFIED)		DIMENSION STYLE <b>MM ONLY</b>		SCALE NTS	DESIGN UNITS METRIC	THIRD ANGLE PROJECTION		
		4 PLACES $\pm$ --- $\pm$ ---	mm      INCH	DRAWN BY JTAN	DATE 2004/05/26	TITLE DDR2 DIMM, 1.00MM PITCH 240 CKTS, 25 DEG. REVERSE ANGLE					
		3 PLACES $\pm$ --- $\pm$ ---	$\pm 0.25$ $\pm$ ---	CHECKED BY MLONG	DATE 2004/06/11	MOLEX INCORPORATED					
		2 PLACES $\pm$ --- $\pm$ ---	$\pm$ --- $\pm$ ---	APPROVED BY GGLEE	DATE 2004/06/11	MATERIAL NO. SEE TABLE	DOCUMENT NO. SD-87919-001	SHEET NO. 4 OF 6			
DRAFT WHERE APPLICABLE MUST REMAIN WITHIN DIMENSIONS			ANGULAR $\pm 5^\circ$		THIS DRAWING CONTAINS INFORMATION THAT IS PROPRIETARY TO MOLEX INCORPORATED AND SHOULD NOT BE USED WITHOUT WRITTEN PERMISSION						



SECTION Z-Z

NOTE:  
1. CAVITY QTY : 2 X 5 = 10

ADDED OPTION EC NO: S2010-0393 DRWN:CCTEH 2009/11/16 CHKD:CGTAN 2009/11/16 APPR:SHLENI 2009/11/17	QUALITY SYMBOLS $F_A=0$ $F_C=0$ $F_P=0$	GENERAL TOLERANCES (UNLESS SPECIFIED)		DIMENSION STYLE MM ONLY		SCALE NTS	DESIGN UNITS METRIC	THIRD ANGLE PROJECTION		
			mm	INCH	DRAWN BY JTAN	DATE 2004/05/26	TITLE DDR2 DIMM, 1.00MM PITCH 240 CKTS, 25 DEG. REVERSE ANGLE			
		4 PLACES	±---	±---	CHECKED BY MLONG	DATE 2004/06/11	MOLEX INCORPORATED			
		3 PLACES	±---	±---	APPROVED BY GGLEE	DATE 2004/06/11	DOCUMENT NO. SD-87919-001		SHEET NO. 5 OF 6	
			1 PLACE	±---	±---	MATERIAL NO. SEE TABLE				
			ANGULAR ± 5 °		DRAFT WHERE APPLICABLE MUST REMAIN WITHIN DIMENSIONS					
A7		THIS DRAWING CONTAINS INFORMATION THAT IS PROPRIETARY TO MOLEX INCORPORATED AND SHOULD NOT BE USED WITHOUT WRITTEN PERMISSION								

10

9

8

7

6

5

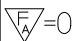
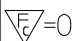
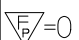
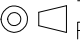
4

3

2

1

PART NO.	VOLTAGE KEY	DIM 'P'	DIM 'Q'	RECOMMENDED PCB THICKNESS	CONTACT AREA PLATING	SOLDERTAIL PLATING	LATCH COLOR
87919-0001	1.8V	2.79	3.18	1.57	0.76μM/ 30μ" GOLD OVER 1.27μM/ 50μ" MIN NICKEL	2.54μM/ 100μ" MIN. TIN OVER 1.27μM/ 50μ" MIN NICKEL	NATURAL
87919-0011		3.18	4.83	2.36			
87919-1001		4.00		3.18			
87919-1002		4.60	3.50				
87919-0101		2.79	3.18	1.57	0.38μM/ 15μ" GOLD OVER 1.27μM/ 50μ" MIN NICKEL		
87919-0111		3.18	4.83	2.36			
87919-0333							BLACK

<b>ADDED OPTION</b> EC NO: S2010-0393 DRWN: CTEH 2009/11/16 CHKD: CGTAN 2009/11/16 APPR: SILENI 2009/11/17	QUALITY SYMBOLS  = 0  = 0  = 0	GENERAL TOLERANCES (UNLESS SPECIFIED)		DIMENSION STYLE <b>MM ONLY</b>		SCALE NTS	DESIGN UNITS METRIC	 THIRD ANGLE PROJECTION	
		4 PLACES ± --- ± ---	DRAWN BY JTAN	DATE 2004/05/26	TITLE <b>DDR2 DIMM, 1.00MM PITCH          240 CKTS, 25 DEG.          REVERSE ANGLE</b>				
		3 PLACES ± --- ± ---	CHECKED BY MLONG	DATE 2004/06/11					
		2 PLACES ± 0.25 ± ---	APPROVED BY GGLEE	DATE 2004/06/11					
1 PLACE ± --- ± ---	ANGULAR ± 5 °		MATERIAL NO. <b>SEE TABLE</b>		DOCUMENT NO. <b>SD-87919-001</b>	SHEET NO. <b>6 OF 6</b>			
DRAFT WHERE APPLICABLE MUST REMAIN WITHIN DIMENSIONS				SIZE <b>A3</b>		THIS DRAWING CONTAINS INFORMATION THAT IS PROPRIETARY TO MOLEX INCORPORATED AND SHOULD NOT BE USED WITHOUT WRITTEN PERMISSION			

9

8

7

6

5

4

3

2

1



Компания «Океан Электроники» предлагает заключение долгосрочных отношений при поставках импортных электронных компонентов на взаимовыгодных условиях!

Наши преимущества:

- Поставка оригинальных импортных электронных компонентов напрямую с производств Америки, Европы и Азии, а так же с крупнейших складов мира;
- Широкая линейка поставок активных и пассивных импортных электронных компонентов (более 30 млн. наименований);
- Поставка сложных, дефицитных, либо снятых с производства позиций;
- Оперативные сроки поставки под заказ (от 5 рабочих дней);
- Экспресс доставка в любую точку России;
- Помощь Конструкторского Отдела и консультации квалифицированных инженеров;
- Техническая поддержка проекта, помощь в подборе аналогов, поставка прототипов;
- Поставка электронных компонентов под контролем ВП;
- Система менеджмента качества сертифицирована по Международному стандарту ISO 9001;
- При необходимости вся продукция военного и аэрокосмического назначения проходит испытания и сертификацию в лаборатории (по согласованию с заказчиком);
- Поставка специализированных компонентов военного и аэрокосмического уровня качества (Xilinx, Altera, Analog Devices, Intersil, Interpoint, Microsemi, Actel, Aeroflex, Peregrine, VPT, Syfer, Eurofarad, Texas Instruments, MS Kennedy, Miteq, Cobham, E2V, MA-COM, Hittite, Mini-Circuits, General Dynamics и др.);

Компания «Океан Электроники» является официальным дистрибьютором и эксклюзивным представителем в России одного из крупнейших производителей разъемов военного и аэрокосмического назначения «**JONHON**», а так же официальным дистрибьютором и эксклюзивным представителем в России производителя высокотехнологичных и надежных решений для передачи СВЧ сигналов «**FORSTAR**».



## JONHON

«**JONHON**» (основан в 1970 г.)

Разъемы специального, военного и аэрокосмического назначения:

(Применяются в военной, авиационной, аэрокосмической, морской, железнодорожной, горно- и нефтедобывающей отраслях промышленности)

«**FORSTAR**» (основан в 1998 г.)

ВЧ соединители, коаксиальные кабели,  
кабельные сборки и микроволновые компоненты:

(Применяются в телекоммуникациях гражданского и специального назначения, в средствах связи, РЛС, а так же военной, авиационной и аэрокосмической отраслях промышленности).



Телефон: 8 (812) 309-75-97 (многоканальный)

Факс: 8 (812) 320-03-32

Электронная почта: [ocean@oceanchips.ru](mailto:ocean@oceanchips.ru)

Web: <http://oceanchips.ru/>

Адрес: 198099, г. Санкт-Петербург, ул. Калинина, д. 2, корп. 4, лит. А